

# 2021 Geely NL-3B

## Wiring Diagram

The Manual provides information on 2021 NL-3B circuit diagram

2021 Geely Automobile International Corporation  
All rights reserved.  
Information updated to 2021/04

Without the written permission of Geely Automobile International Corporation, any part of this manual can't be reproduced, stored or transmitted in any form or by any means

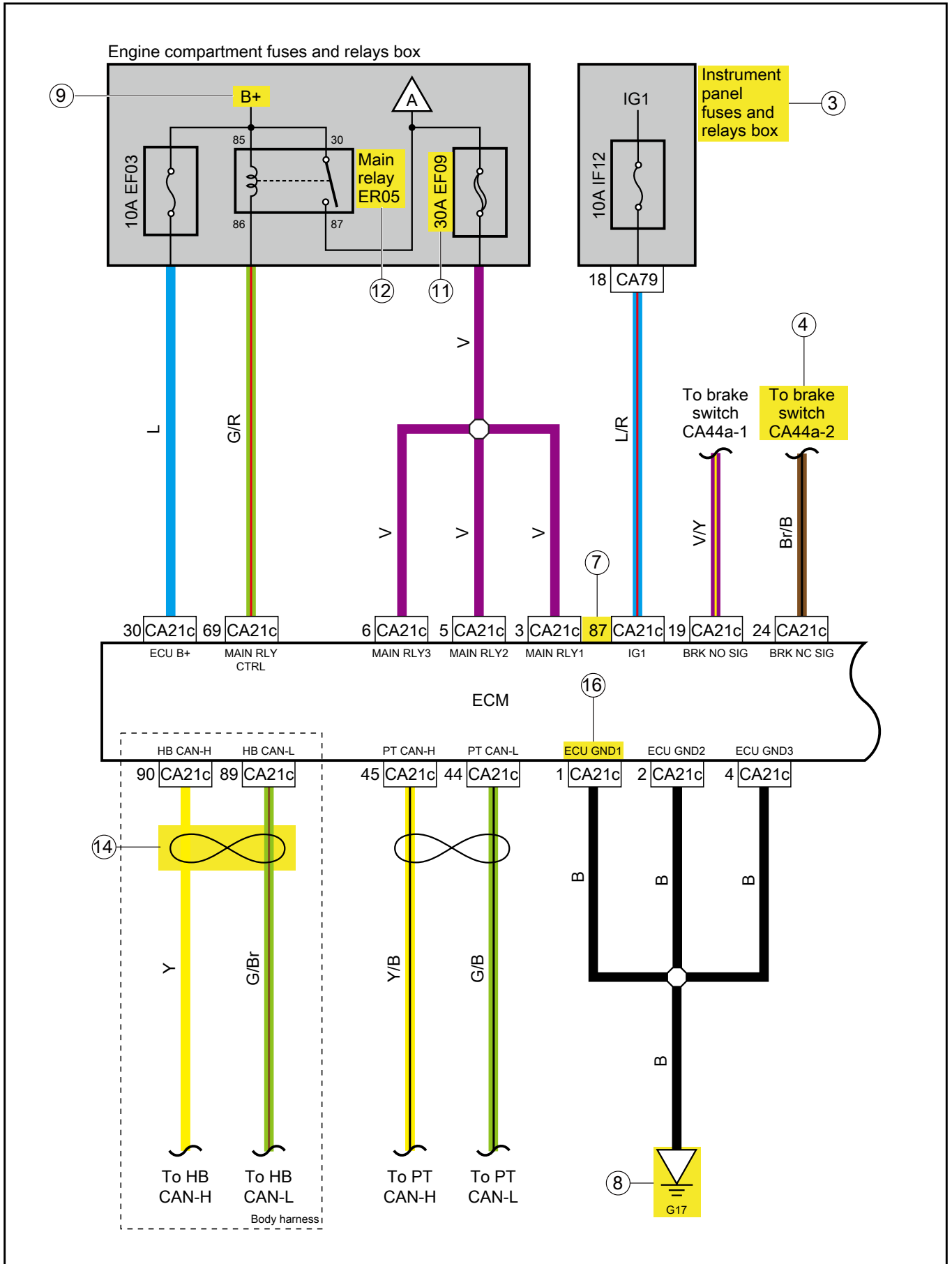
*AutoLibrary*

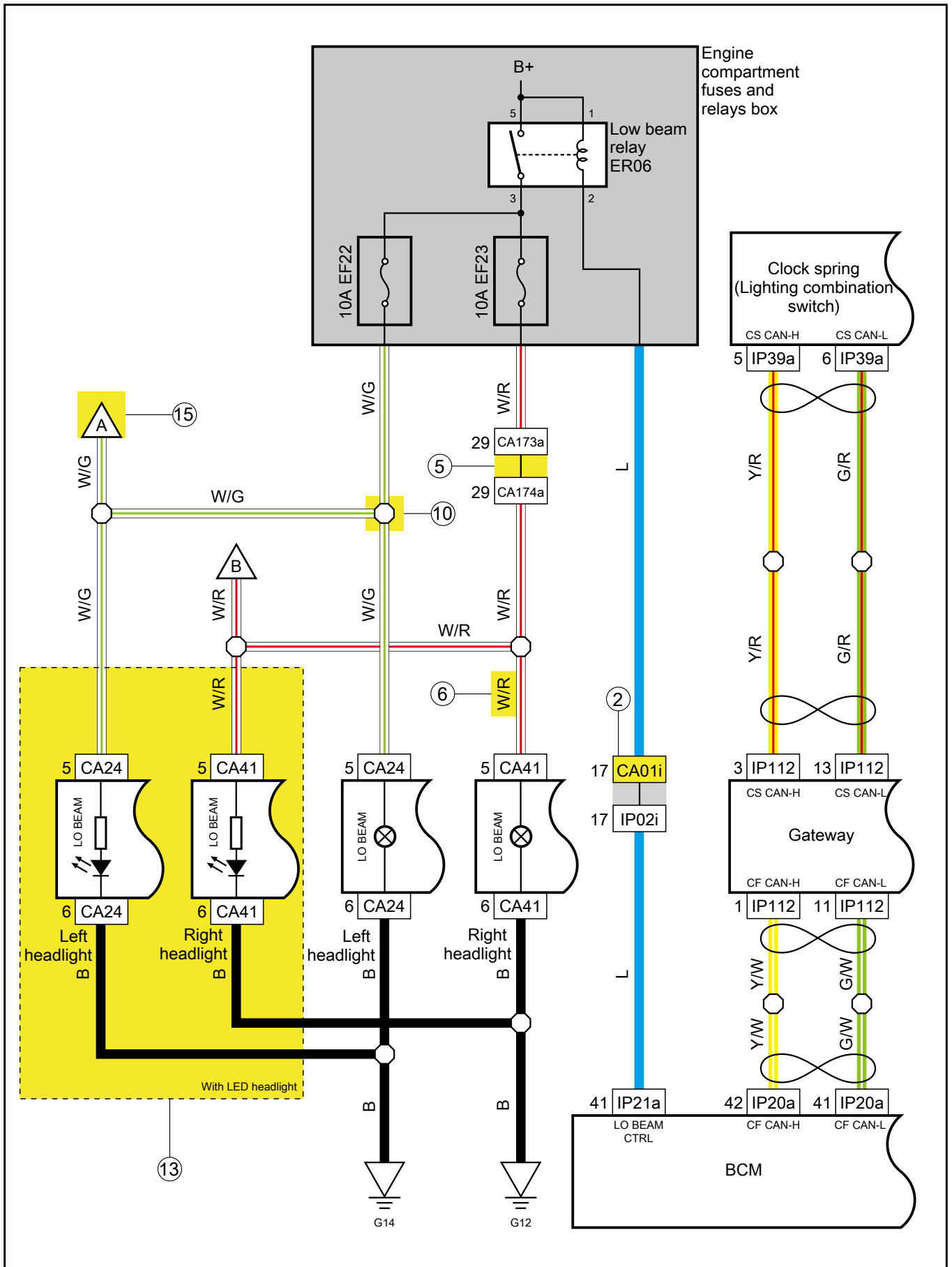
*AutoLibrary*

---

13.1 How to Use the Wiring Diagrams.....	2
13.2 Symbol .....	6
13.3 Maintenance Instruction .....	8
13.4 Fuses and Relays .....	16
13.5 Layout of Wiring Harnesses and Connectors.....	24
13.6 Grounding Distribution.....	189
13.7 Power Distribution diagram .....	215
13.8 System Wiring Diagram.....	238
13.9 Abbreviations .....	612

Sample Explanation-①





1 Names of systems.

## 2 Numbers of harness connectors .









The numbering rule of harness connectors in this circuit diagram manual is based on the harness; for example, the number of Upstream oxygen sensor harness connector in engine harness is EN26d, in which EN refers to names of harnesses code and 26d refers to connector serial number.

Codes indicating harness is shown in the following table:

Definiti- on	Harness name
BE	Battery negative harness
CA	Engine compartment harness
DR	Door harness
EN	Engine harness
IP	Instrument harness
RF	Interior light (roof) harness
SO	Floor harness

### Caution:

- 1 The definition of door harness includes four door harnesses.
- 2 Floor harness includes floor harness, caliper harness, Trunk door harness, back door to wiring harness and license plate light harness
- 3 The details of harness connector number refer to layout of harness .
- 3 Component name.
- 4 Display the system information related to the circuit connection.
- 5 The connection between plugs shall be indicated with fine solid line and covered with grey shade so as to differ from the physical harness. The physical harness shall be indicated with heavy solid line, of which the color is the same with that of actual wire. .
- 6 Display the guide wire color. The color codes are shown in the following table:

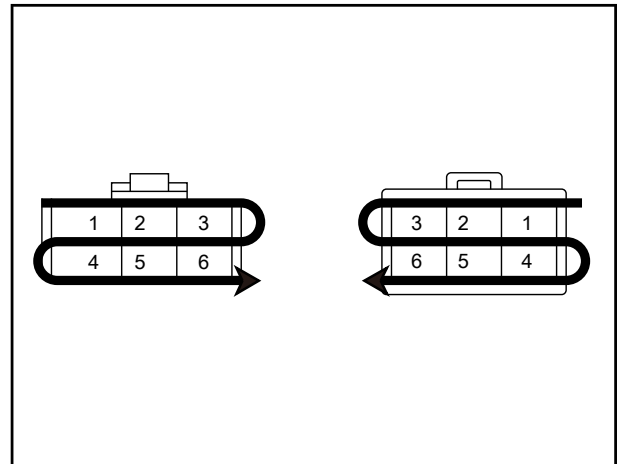
Color code	Guide wire	Color sample
B	Black	
Gr	Grey	
Br	Brown	
L	Blue	
G	Green	
R	Red	
Y	Yellow	
O	Orange	

Color code	Guide wire	Color sample
W	White	
V	Purple	
P	Pink	
Lg	Light green	
C	Celeste	

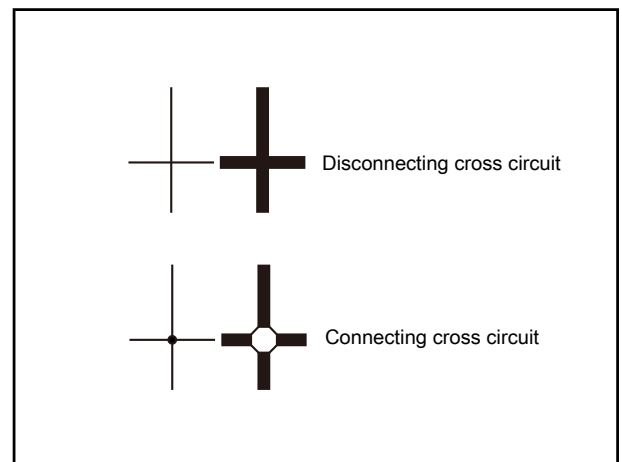
If the guide wire is of two color wire, the first letter indicates the base color of wire and the second letter indicates the stripe color, and they are separated with “/”.

For example, the guide wire marked as G/B refers to green base and black strip.

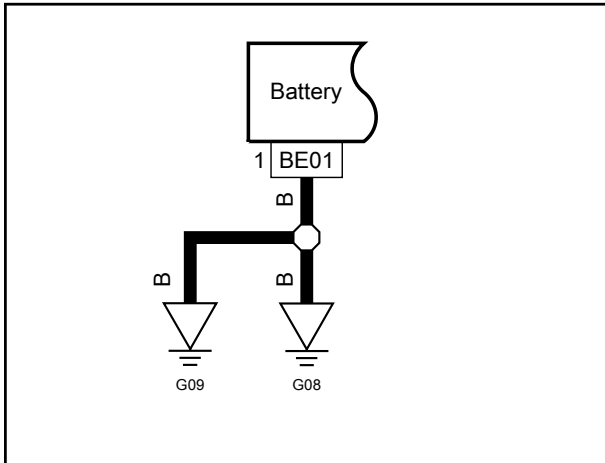
- 7 Display the terminal numbers of socket connectors. Note that the terminal sequences of harness connectors which are connected with each other are of mirror image as shown in the following figure: :



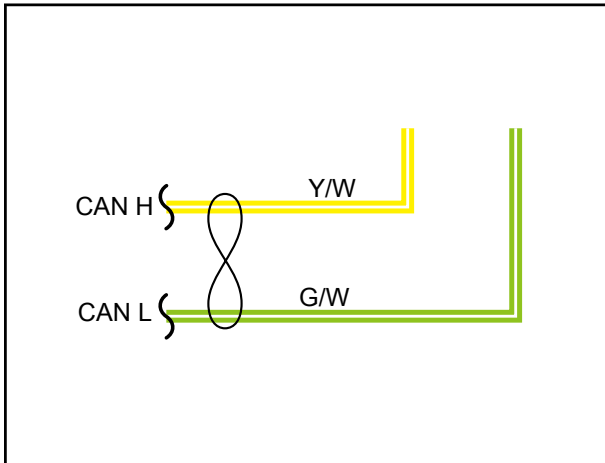
- 8 Grounding point number: except that of engine harness begins with P, the other grounding points are identified with serial number beginning with G. The details of grounding point positions refer to layout drawing of grounding point.
- 9 Type of power and supply is on the fuse.
- 10 Guide wire nodes.



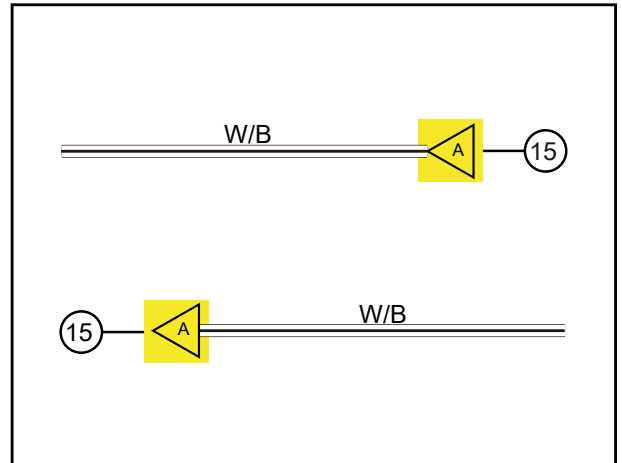
- 11 The fuse number consists of fuse code and serial number. The fuse code in compartment of engine is EF, and indoor fuse code is IF. Refer to fuse list for the details of fuse number.
- 12 The relay number is indicated with a single English letter. Refer to relay list for the details.
- 13 If the relevant design differences of circuit are caused by the vehicle type, type of engine, or configuration differences, the dotted line shall be used in the circuit diagram and a description added near the circuit.



- 14 If 8-shape mark is used between circuit lines and lines, it indicates that this circuit is twisted pair wire which is mainly used for circuit of signal of sensor or data communication circuit.



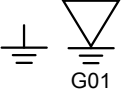
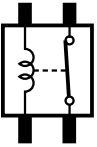
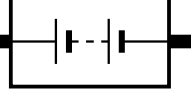
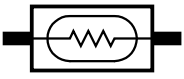
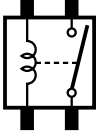
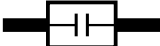
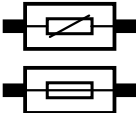
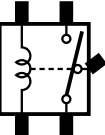
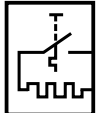
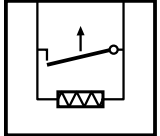


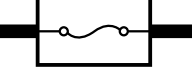

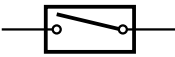
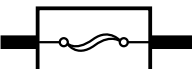


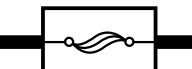
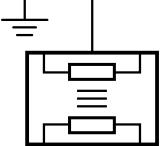
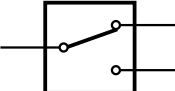
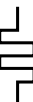
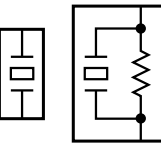
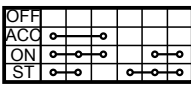
- 15 If the content of a system is so much that its circuit needs to be indicated in many pages. The start point of circuit is indicated with and the arrival point with . If more than one circuit continues in the next page, they will be indicated with letters B, C and so on. And the rest can be done in the same manner.




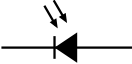
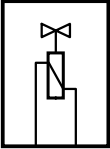
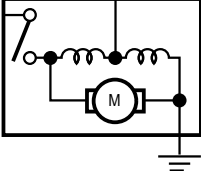
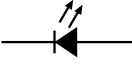

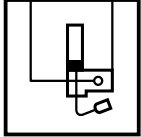


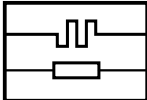
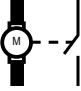
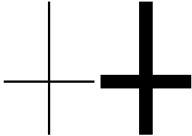
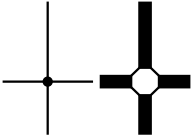



- 16 Terminal name.

The orientation of the plug hole position for all harness connectors without special instructions is the incoming end.

Symbol

	Grounding		Normally closed relay		Battery
	Temperature sensor		Normally opened relay		Electric capacity
	Short splicing		SPDT relay		Cigarette lighter
	Airbag		Resistance		Antenna
	Small load fuse		Potentiometer		Normally opened switch
	Middle load fuse		Variable resistance		Normally closed switch
	Heavy load fuse		Ignition coil		SPDT switch
	Heater		Knock sensor		Ignition switch

	Diode		Bulb		Twisted pair
	Photodiode		Solenoid valve		Starter
	LED		Horn		Seat belt pretensioner
	Motor		Clock spring		Oxygen sensor
	Limit switch		Disconnecting cross circuit		Connecting cross circuit
	Shielded wire				

## Fault Diagnosis Process

For the circuit fault, inspect it by following steps:

### 1 Confirm the faults complained by the customer

In order to conduct correct repair, confirming the fault described by the customer. Carefully inspect the relevant components to confirm the fault and then make a record. Disassembly of the parts is not allowed prior to non-confirmation of the fault scope or cause.

### 2 Identification of the electrical circuit and cause the analysis

Analyze and judge the whole circuit from the power supply to grounding of the faulty part based on the circuit diagram of the subsystem, and confirm the scheme of maintenance and operation. If impossible to confirm the scheme of maintenance and operation, refer to the description and operation set forth in the maintenance manual, and understand the working principle of the same system. Meanwhile, it is necessary to inspect other common circuits together with the faulty circuit, such as the common system circuit for fuse, grounding and switch. Inspect the common circuit that is not inspected in step 1. There may be faulty position on the circuit if other components of common circuit are working normally. The fuse or grounding may be faulty if other components of common circuit are faulty.

### 3 Circuit and component inspection

The circuit diagram should be used together with the maintenance manual at any time, and making a reference to the inspection process of circuit and parts described in the maintenance manual. For the module-controlled circuit, the parts should be tested by a diagnosis tester, and an effective fault diagnosis should be carried out by following a logic and reasonable operating process. By fully making a reference to the fault diagnosis process described in the maintenance manual, begin to inspect the parts from the most possible causes and the easiest-to-inspect parts.

### 4 Fault maintenance

In case of any fault, refer to the circuit diagram and description of troubleshooting methods in the maintenance manual. For example: troubleshooting process in case of poor grounding and troubleshooting method for harness connectors.

### 5 Confirmation of operating condition of the electrical circuit.

After the maintenance is finished, confirm that the fault is eliminated, and inspect whether all functions have been

resumed normal operation. If the fuse is blown, inspect all the circuits that jointly use the fuse.

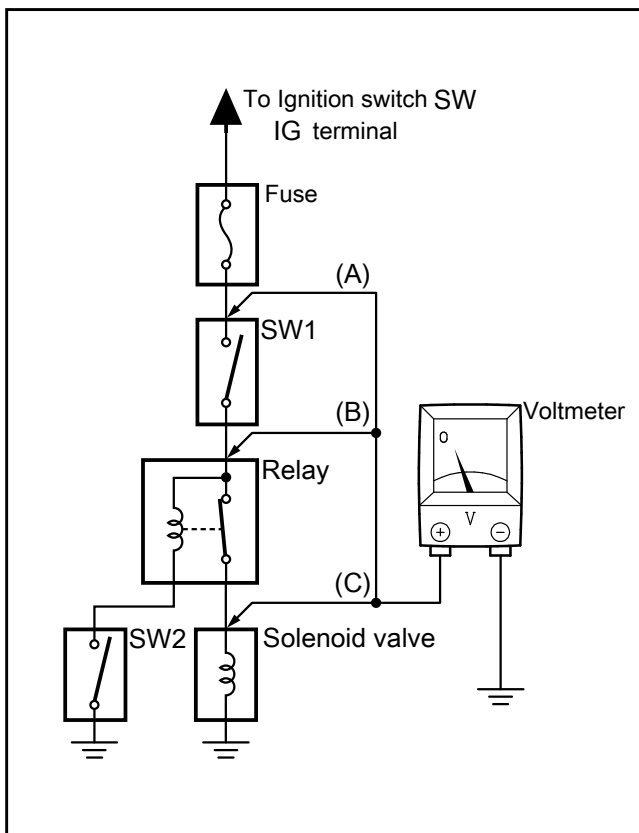
### Inspection of Voltage

- 1 Create measurement conditions at individual voltage measurement points.

For example:

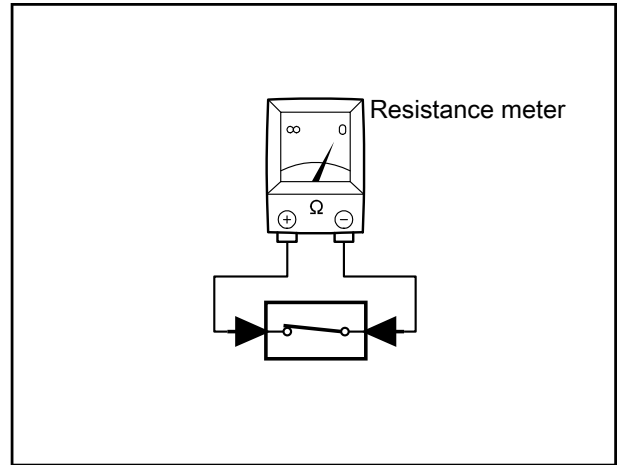
1. The ignition switch is in the ON state.
  2. Ignition switch SW is in the ON state, and the switch SW 1 is closed.
  3. Ignition switch SW is in the ON state, and the switch SW 1 is closed and the relay is turned on (i.e., off the switch SW 2).
- 2 Connect the cathode of the voltmeter to a grounding point with good condition or the cathode terminal of battery, and then connect the anode of the voltmeter to the connector terminal at the point to be measured.

The voltage can be detected by a test light instead of voltmeter.



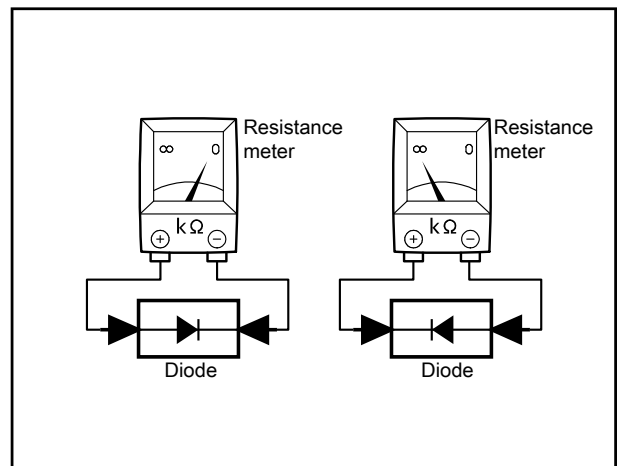
### Connectivity and Resistance Detection of the Circuit

- 1 Disconnect the battery or electrical connection of the measurement point, ensuring no voltage in the circuit to be measured.
- 2 Connect the two probes of the ohmmeter to both ends of the electrical circuit to be measured.

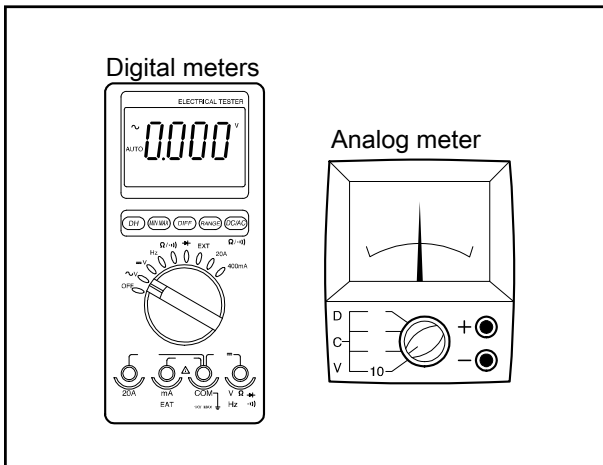


If a diode is contained in the circuit, exchange the two probes and measures the resistance again. If the cathode probe of resistance meter is connected to the anode of diode, and the anode probe is connected to the cathode of diode, the reading of resistance meter should be close to 0. After exchanging the two probes to measure the resistance again, the reading of resistance meter should be close to infinity.

In case of meeting the two conditions above, it indicates that the diode can be operated normally.



- 3 It is necessary to use voltmeter and resistance meter with high resistance (above 10KΩ) during circuit detection.



## Short Circuit Detection

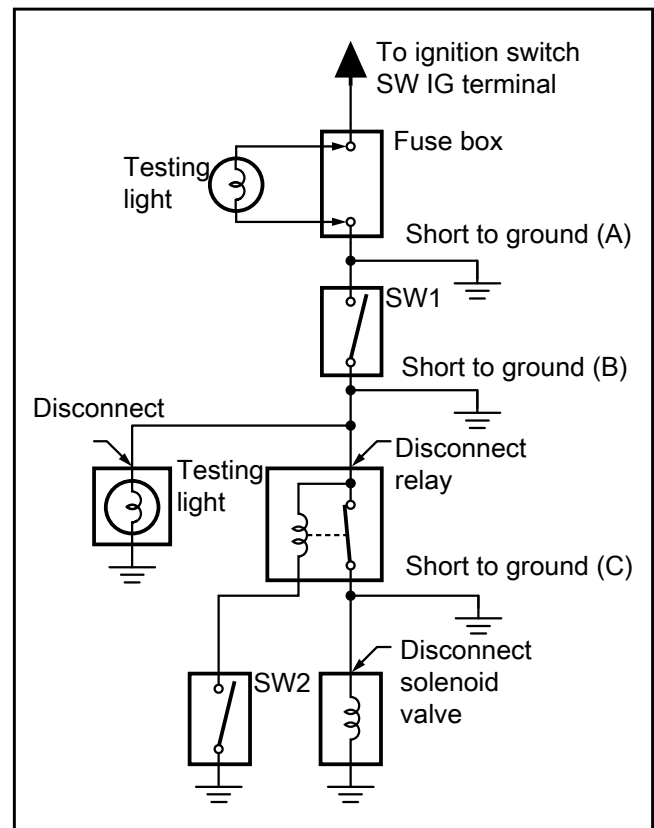
- 1 Remove the blown fuse, and disconnect all loads of the fuse.
- 2 Connect a test light to both ends of the blown fuse box.
- 3 After setting up the following testing conditions, the test light should be lit.

For example:

1. The ignition switch is in the ON state.
2. Ignition switch SW is in the ON state, and the switch SW 1 is closed.
3. Ignition switch SW is in the ON state, the switch SW 1 is closed and the relay is turned on (i.e., off the switch SW 2).
- 4 Disconnect and connect both connectors of the test light, and observe whether the test light is lit. The short circuit point is located between the measurement point where the test light is lit and the measurement point where the test light is not lit.
- 5 Slightly rock the faulty circuit, and find the short circuit point.

Warning:

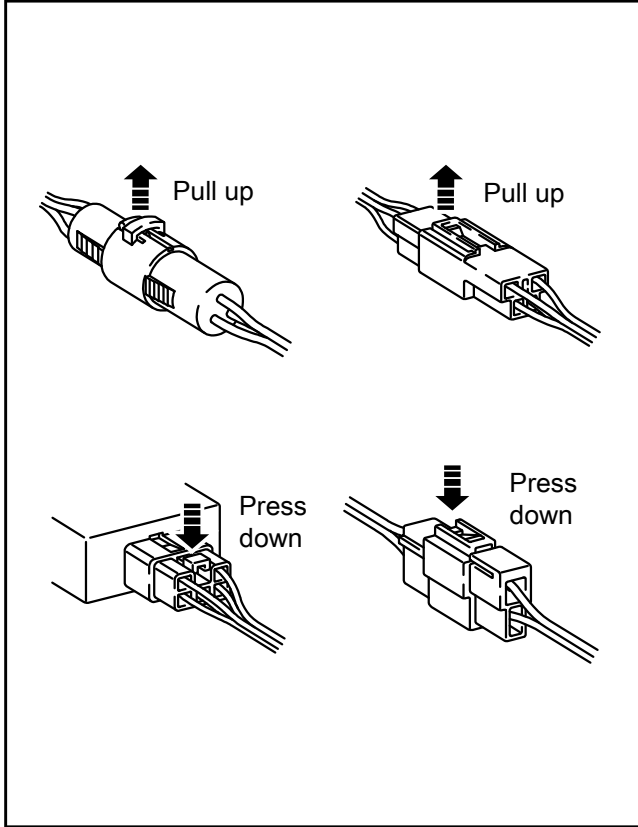
1. Unless necessary, do not open the ECU housing (in case of contacting with the integrated circuit pins on the ECU electrical circuit board, it is possible to damage the integrated electrical circuit due to static electricity.)
2. When changing the internal mechanism of digital instrument, ensure that any parts of your body or clothes do not contact with the pins of spare integrated circuit.



## Disconnect the Connector

When disconnecting, please pull connector instead of harness.

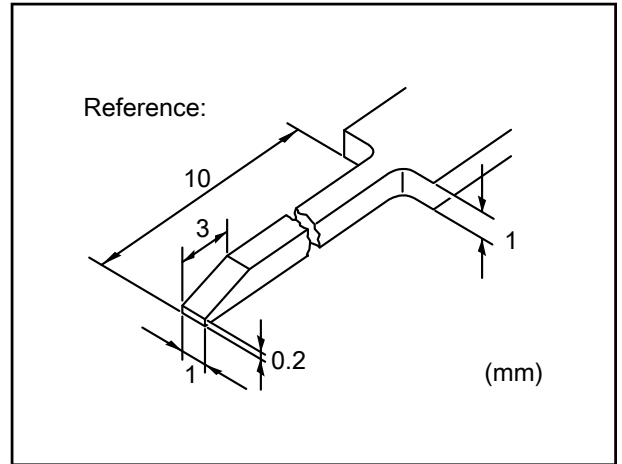
Tips: when disconnecting connector, please confirm select connector.



## Change the Terminal (with the terminal retainer or secondary lock device)

- 1 Prepare a special tool for repairing the harness terminal.

Tips: use a special tool for terminal repairing or similar object as shown in the following figure to remove the harness terminal.

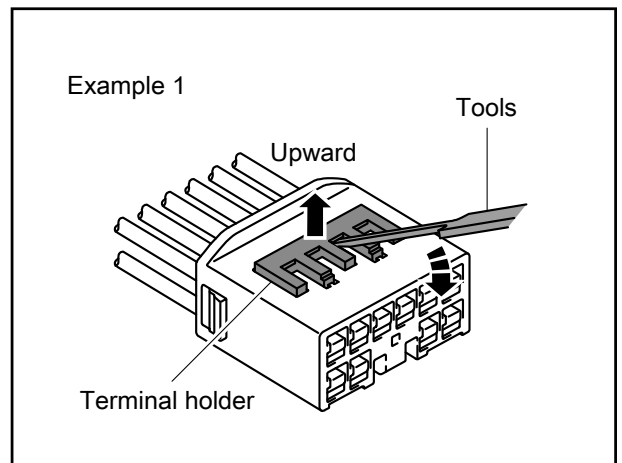


- 2 Disconnect the connector.
- 3 Release the secondary lock device of the terminal or the terminal retainer.

1. Release the lock device before releasing the terminal locking plate and removing the terminal from the connector.
2. Use a special tool to release the secondary lock device or the terminal retainer.

Caution:

Do not remove the terminal retainer from the connector.

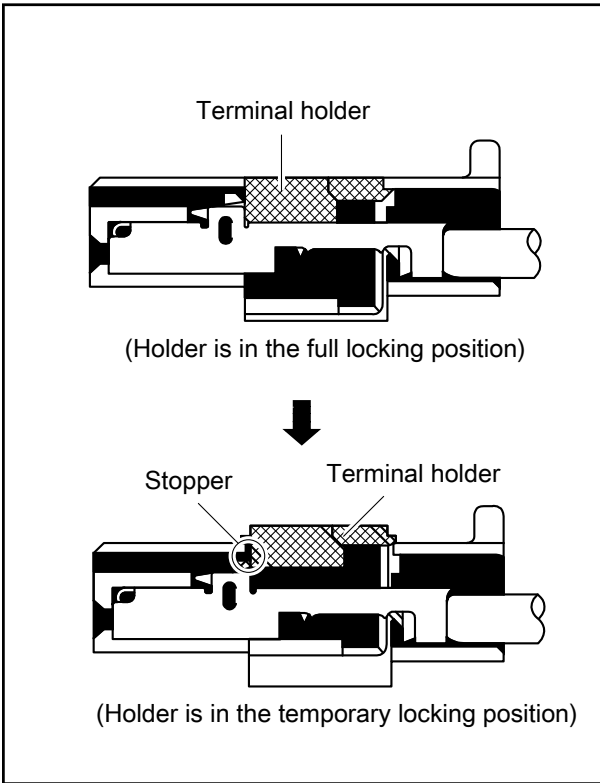


A. Non-waterproof connector

Tips: the position where the tool is inserted vary with the shape of connector, such as the number of the terminals. Inspect the position before inserting tools.

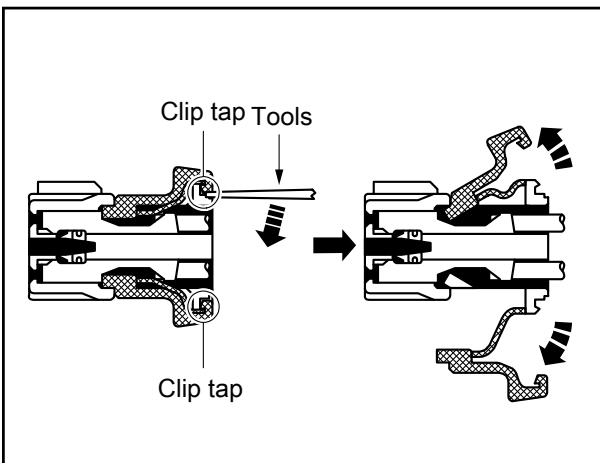
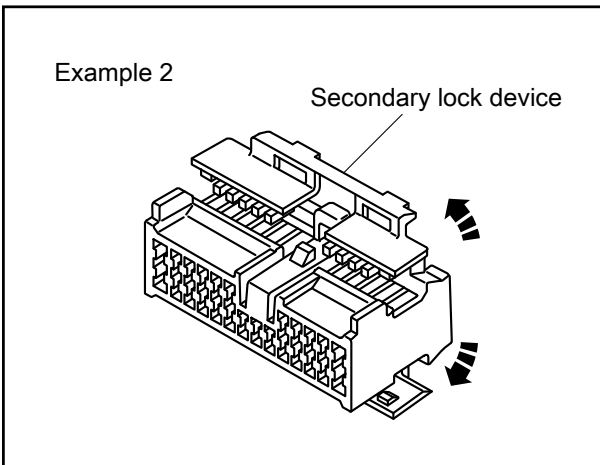
Example 1

Pull upward the terminal retainer to temporary locking position.



Example 2

Open the secondary lock device.

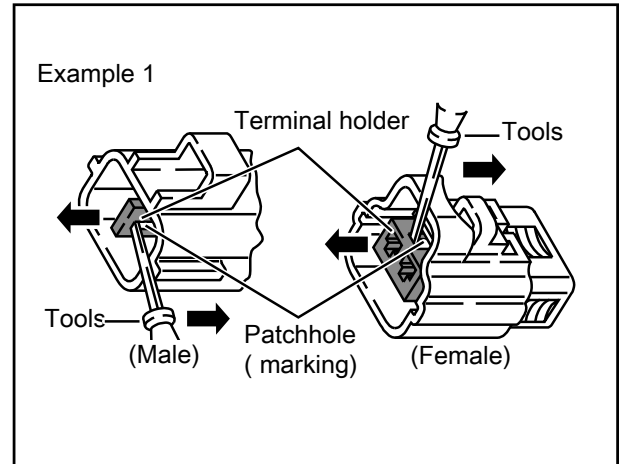


B. Non-waterproof connector

Tips: the position where the tool is inserted vary with the shape of connector, such as the number of the terminals. Inspect the position before inserting tools.

For example:

Terminal holder	Connector
Black or white	Grey
Black or white	Dark grey
Grey or white	Black

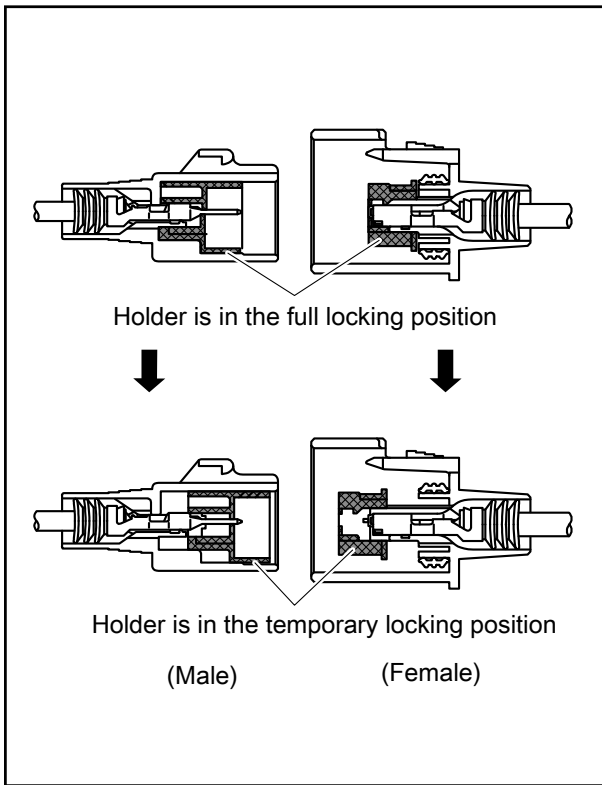


Example 1

The terminal retainer can be pulled upward to temporary locking position (upward pull type).

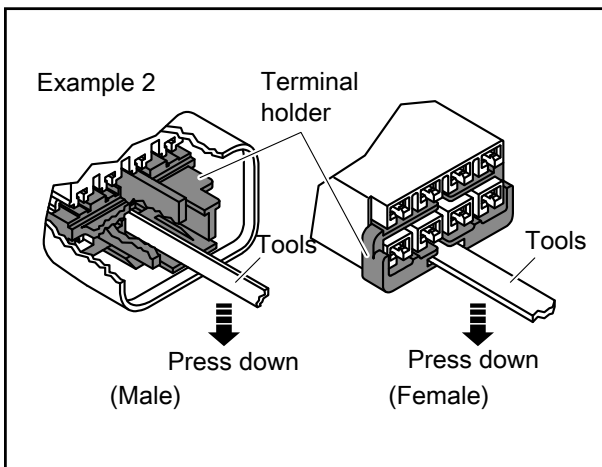
Insert the special tool into the insertion hole (Y mark) of the terminal retainer, and pull upward the terminal retainer to temporary locking position.

Tips: the position where the tool is inserted vary with the shape of connector, such as the number of the terminals. Inspect the position before inserting tools.

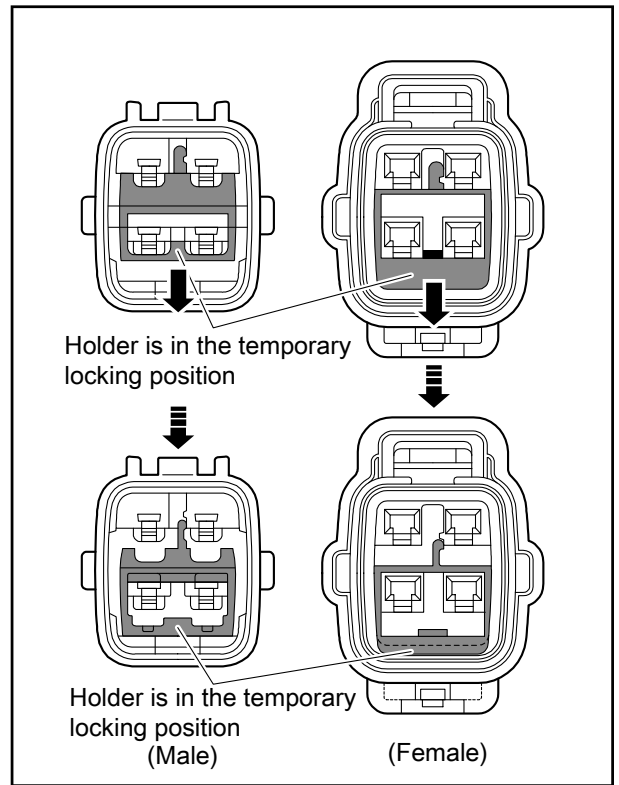


Example 2

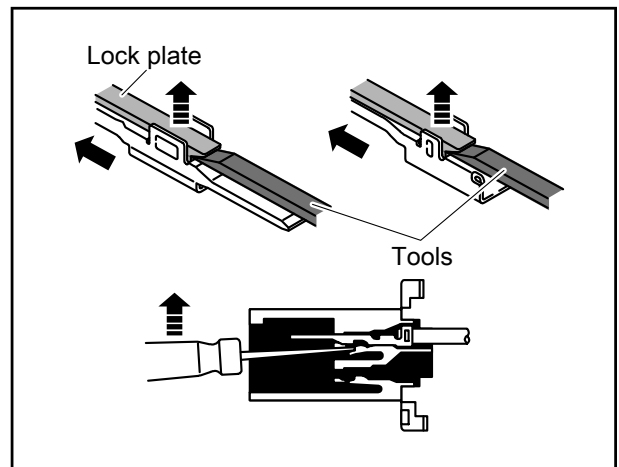
The terminal retainer cannot be pulled upward.



Press downward the terminal retainer to temporary locking position.



C. Release the terminal locking plate and pull out the terminal at backward direction.

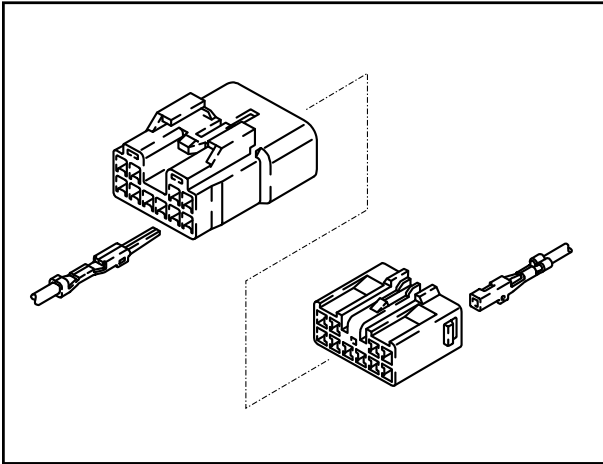


4 Install the terminal

A. Insert the terminal.

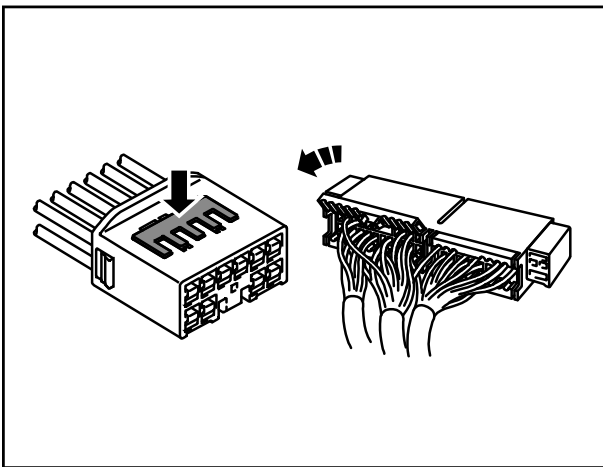
Tips:

1. Ensure the terminal is correctly aligned with the socket.
2. Insert the terminal into the terminal retainer until the locking plate locks the terminal.
3. Insert the terminal retainer into temporary locking position of the connector.



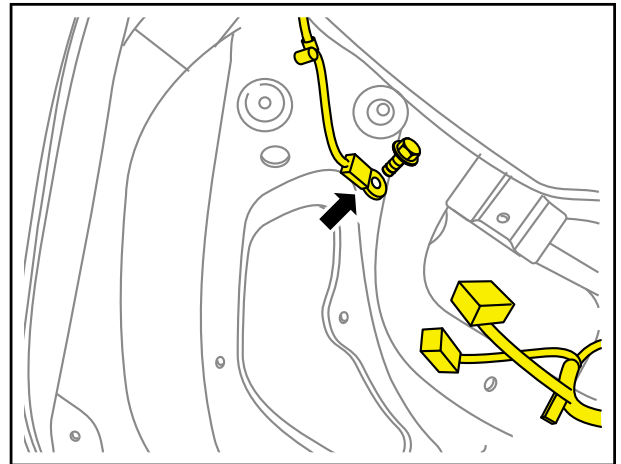
B. Push the secondary lock device to full locking position.

- 5 Connect the harness connector.

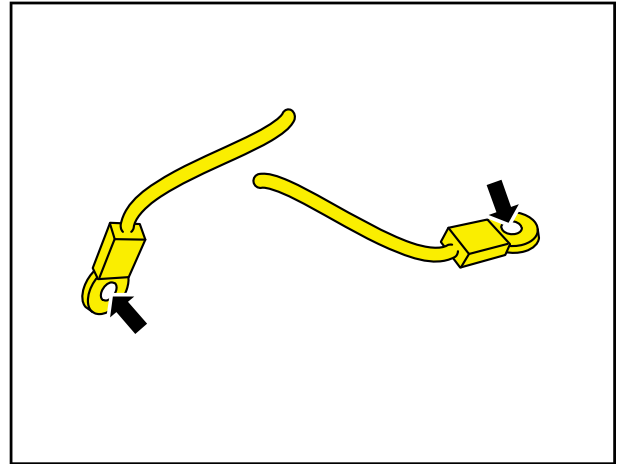


## Handling Process of Poor Grounding

- 1 Remove the bolt at grounding point.



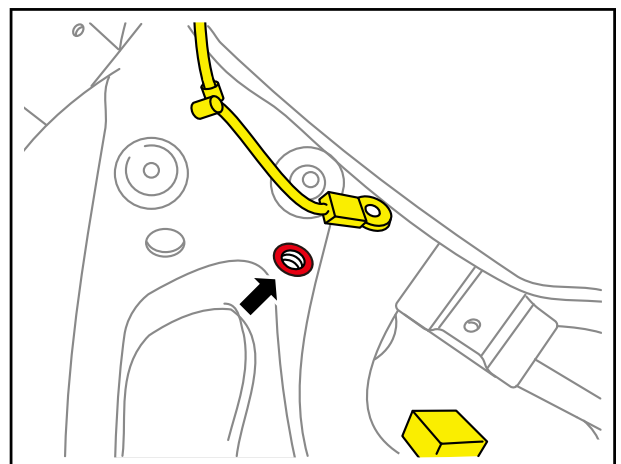
- 2 Clean both contact surfaces of the grounding copper ring at the harness side (including the body side and the bolt side) with a coarse abrasive cloth until the oxide is fully cleared.



- 3 Clean body side grounding point by roving cloth, until clean out the surface.

Caution:

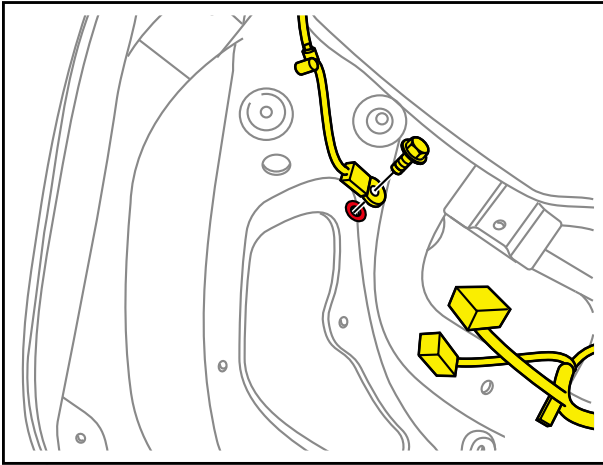
Try not to hurt the paint, just clear the surface oxide or rust.



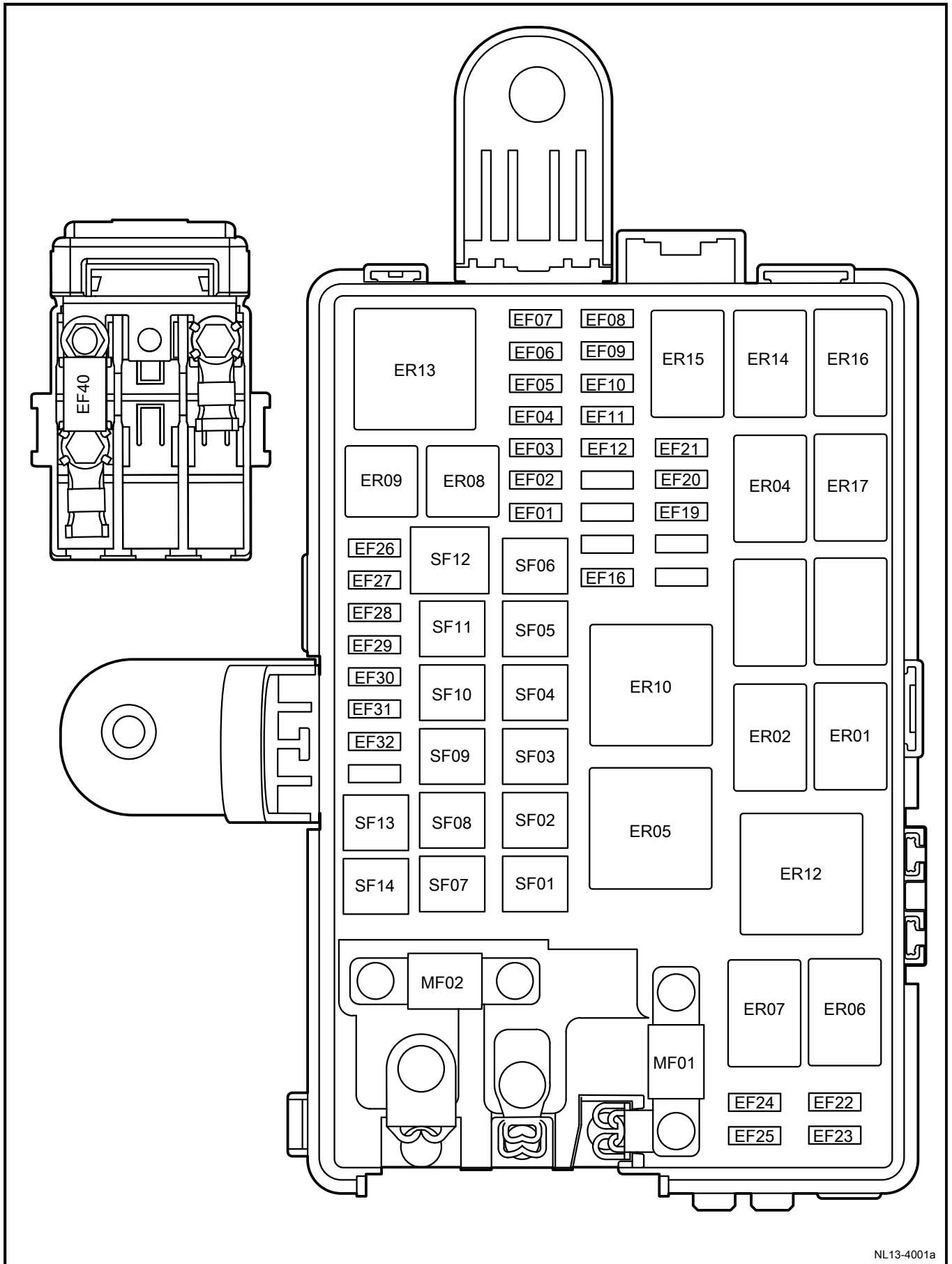
- 4 Reinstall grounding point harness and fixing bolt, and tighten the bolt with specified torque.

Torque: M6 bolt 9N·m

Torque: M8 bolt 21N·m



Distribution of Engine Compartment Fuses and Relays Box



## Engine Compartment Fuses List

NUMBER	NAME	RATED CURRENT ( AMPERE )	EXPLANATION
MF01	Electric power steering the fuse	80A	-
MF02	Generator fuse	150A	-
SF01	Indoor fuse box ACC&IG1 fuse	50A	-
SF02	ABS motor fuse	60A	-
SF03	ABS Pump fuse	40A	-
SF04	DCT1 fuse	30A	-
SF05	Indoor fuse box B+ fuse	60A	-
SF06	DCT2 fuse	30A	-
SF07	Power seat fuse	30A	-
SF08	Start fuse	30A	-
SF09	Blower motor controller fuse	40A	-
SF10	Rear defroster fuse	20A	-
SF11	Indoor fuse box/IG2 fuse	40A	-
SF12	Cooling fan fuse	60A	450 watt Electric fan
SF12	Cooling fan fuse	80A	600 watt Electric fan
SF12	Cooling fan fuse	60A	Second fan
SF13	Low speed fan fuse	40A	Second fan
SF14	Seat heating fuse	25A	-
EF01	DCT3 fuse	30A	7DCT
EF01	Transmission shift lever switch 1 fuse	15A	6AT
EF02	DCT4 fuse	30A	7DCT
EF02	Transmission shift lever switch 2 fuse	15A	6AT
EF03	EMS fuse	10A	-
EF04	Battery sensor fuse	5A	-
EF05	Fuel pump fuse	20A	-
EF06	TCU fuse	15A	-
EF07	Brake switch fuse	10A	-
EF08	Solenoid valve sensor fuse	15A	-
EF09	EMS fuse	30A	-
EF10	EMS solenoid valve fuse	10A	-
EF11	Ignition coil fuse	15A	-
EF12	Oxygen sensor fuse	15A	-
EF16	Starting and stopping feedback fuse	5A	-
EF19	Rear seat heating fuse	15A	-
EF20	Windscreen heating fuse	10A	-
EF21	Outside rear-view mirror mist fuse	10A	-
EF22	Right low beams fuse	10A	-
EF23	The neighbourhood light fuse	10A	-

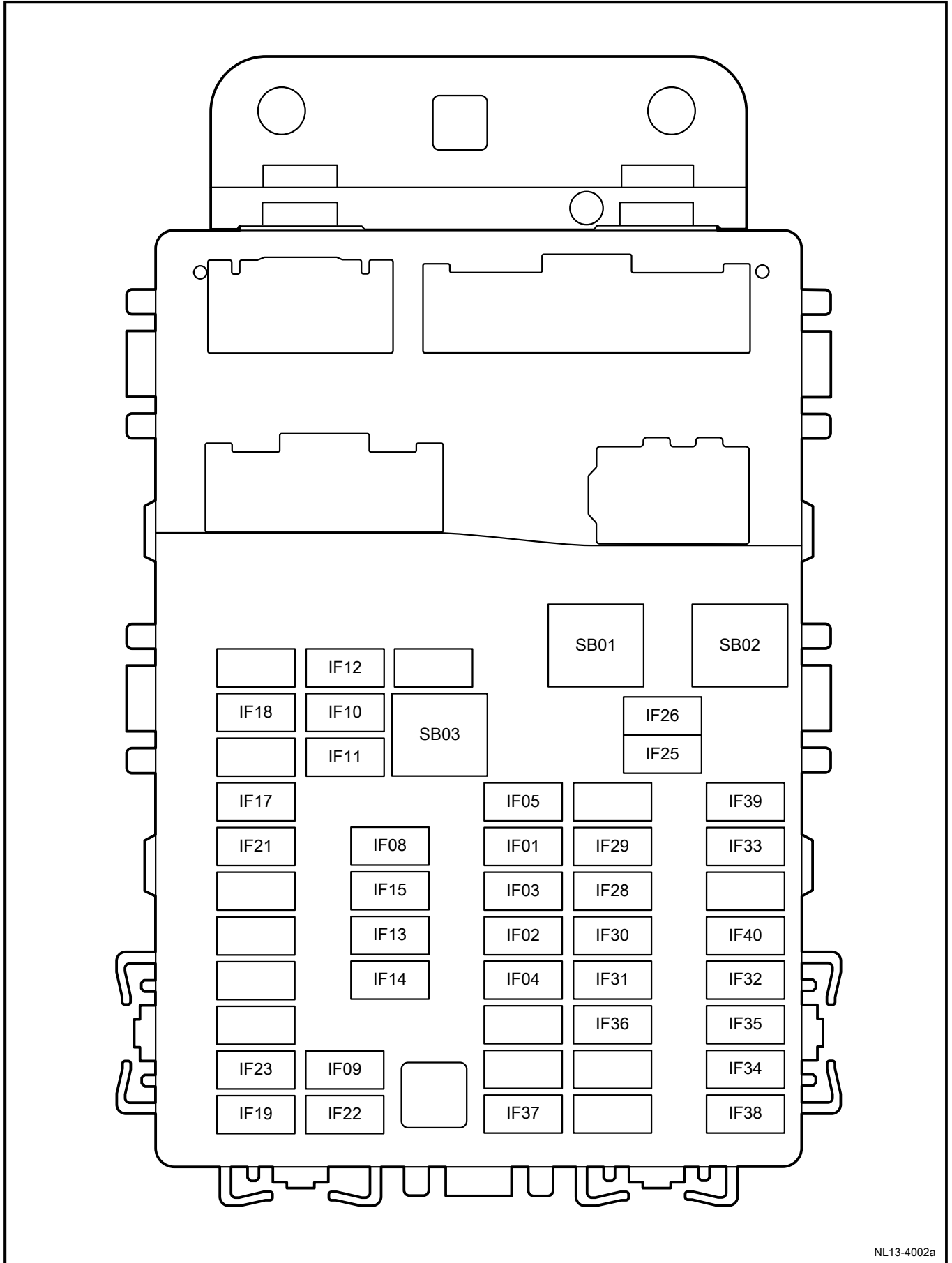
---

NUMBER	NAME	RATED CURRENT ( AMPERE )	EXPLANATION
EF24	High beam headlight left fuse	10A	-
EF25	Far-right light fuse	10A	-
EF26	A/C compressor fuse	10A	-
EF27	DCDC/BMS fuse	10A	-
EF28	Horn fuse	15A	-
EF29	BSG fuse	5A	-
EF30	Rear windshield wiper fuse	15A	-
EF31	Front windshield wiper fuse	30A	-
EF32	Power amplifier fuse	30A	-
EF40	Battery positive pole fuse	175A	-

**Engine Compartment Relays List**

NUMBER	NAME	EXPLANATION
ER01	Ignition relay 1	-
ER02	Ignition relay 2	-
ER04	Fuel pump relay	-
ER05	Main relay	-
ER06	Low beam relay	-
ER07	High beam relay	-
ER08	Horn relay	-
ER09	A/C compressor relay	-
ER10	Blower relay	-
ER12	Low speed fan relay	-
ER13	High speed fan relay	-
ER14	Front wiper relay	-
ER15	Wiper relay after	-
ER16	Rear defroster relay	-
ER17	Windscreen heating relay	-

Distribution of Engine Compartment Fuse and Relay



NL13-4002a

## Instrument Panel Fuses List

NUMBER	NAME	RATED CURRENT ( AMPERE )	EXPLANATION
IF01	Cigar lighter fuse	15A	-
IF02	USB charging fuse	10A	-
IF03	Multimedia fuse	7.5A	-
IF04	Side mirror/Mode switch/Wireless charging fuse	7.5A	-
IF05	Accessory power fuse	15A	-
IF08	ACU fuse	5A	-
IF09	BCM/T-BOX/PEPS/Combination instrument/Head-up display fuse	7.5A	-
IF10	EPS/ESC fuse	10A	-
IF11	Gateway fuse	7.5A	-
IF12	EMS/TCU fuse	10A	-
IF13	DCDC/BSG fuse	10A	-
IF14	Rear seat heating switch fuse	10A	-
IF15	BMS fuse	10A	-
IF17	Power seat fuse	10A	-
IF18	A/C fuse	7.5A	-
IF19	Combination Switch fuse	10A	-
IF21	Lane departure fuse	10A	-
IF22	Hot and cold Cup fuse	10A	-
IF23	IG2 fuse	10A	-
IF25	A/C/Combination instrument/Head-up display/T-BOX/Rain sensor fuse	10A	-
IF26	Multimedia fuse	15A	-
IF28	Rear-view mirror folded fuse	7.5A	-
IF29	PEPS/TPMS/Blue Launch/Gateway fuse	10A	-
IF30	Door light fuse	10A	-
IF31	Door lock fuse	20A	-
IF32	OBD fuse	10A	-
IF33	4WD fuse	15A	-
IF34	Room lamp fuse	15A	-
IF35	360 Overall view/Display/Dashboard camera fuse	10A	-
IF36	Combination Switch/TPMS fuse	10A	-
IF37	Millimeter-wave radar/Transmission shift lever switch fuse	10A	-
IF38	Sunroof fuse	20A	-
IF39	Outside light fuse	20A	-
IF40	Heated steering wheel fuse	15A	-

---

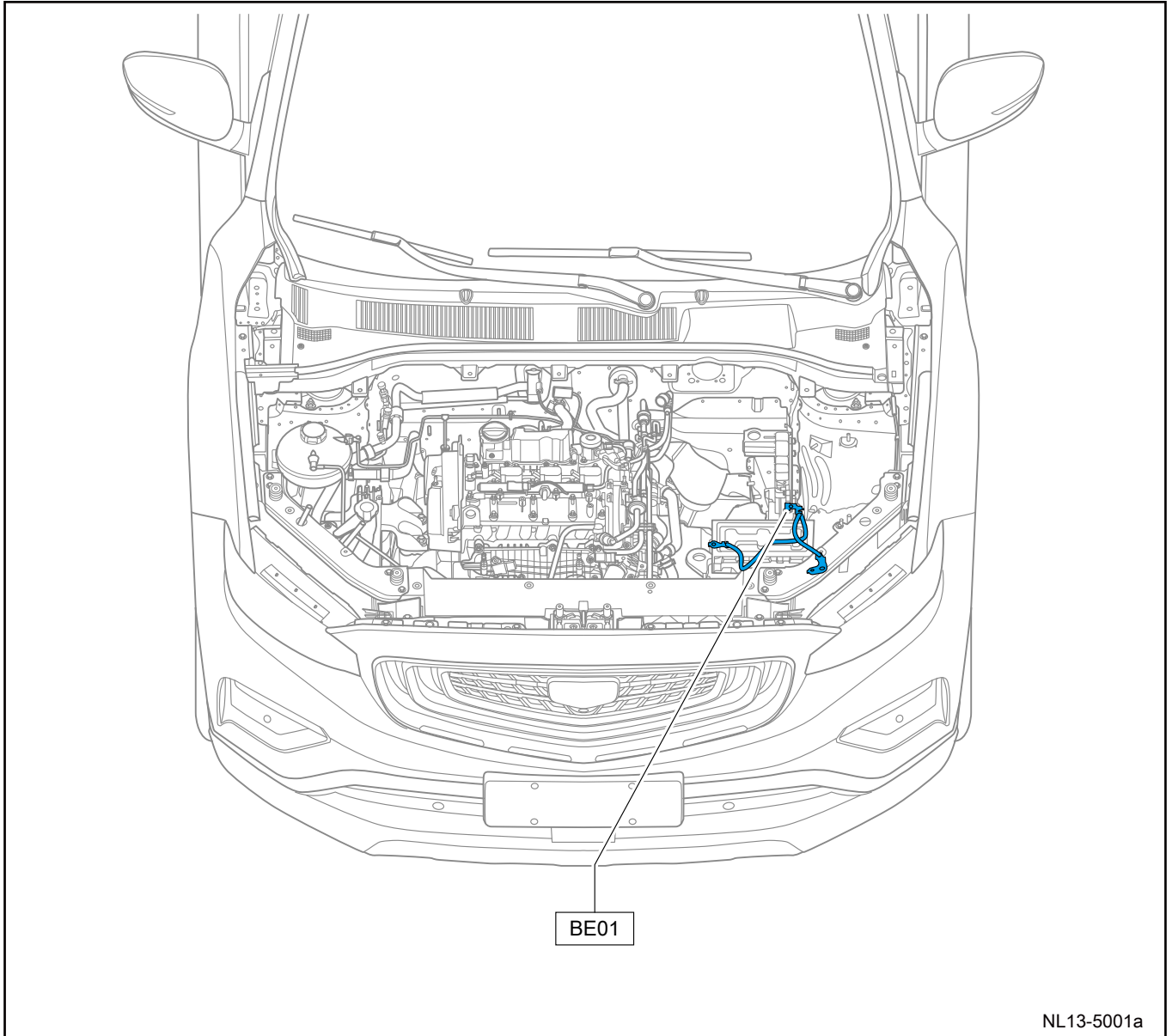
NUMBER	NAME	RATED CURRENT ( AMPERE )	EXPLANATION
SB01	Door lock actuator motor fuse	25A	-
SB02	Door lock actuator motor fuse	25A	-
SB03	Electric back door fuse	20A	-

---

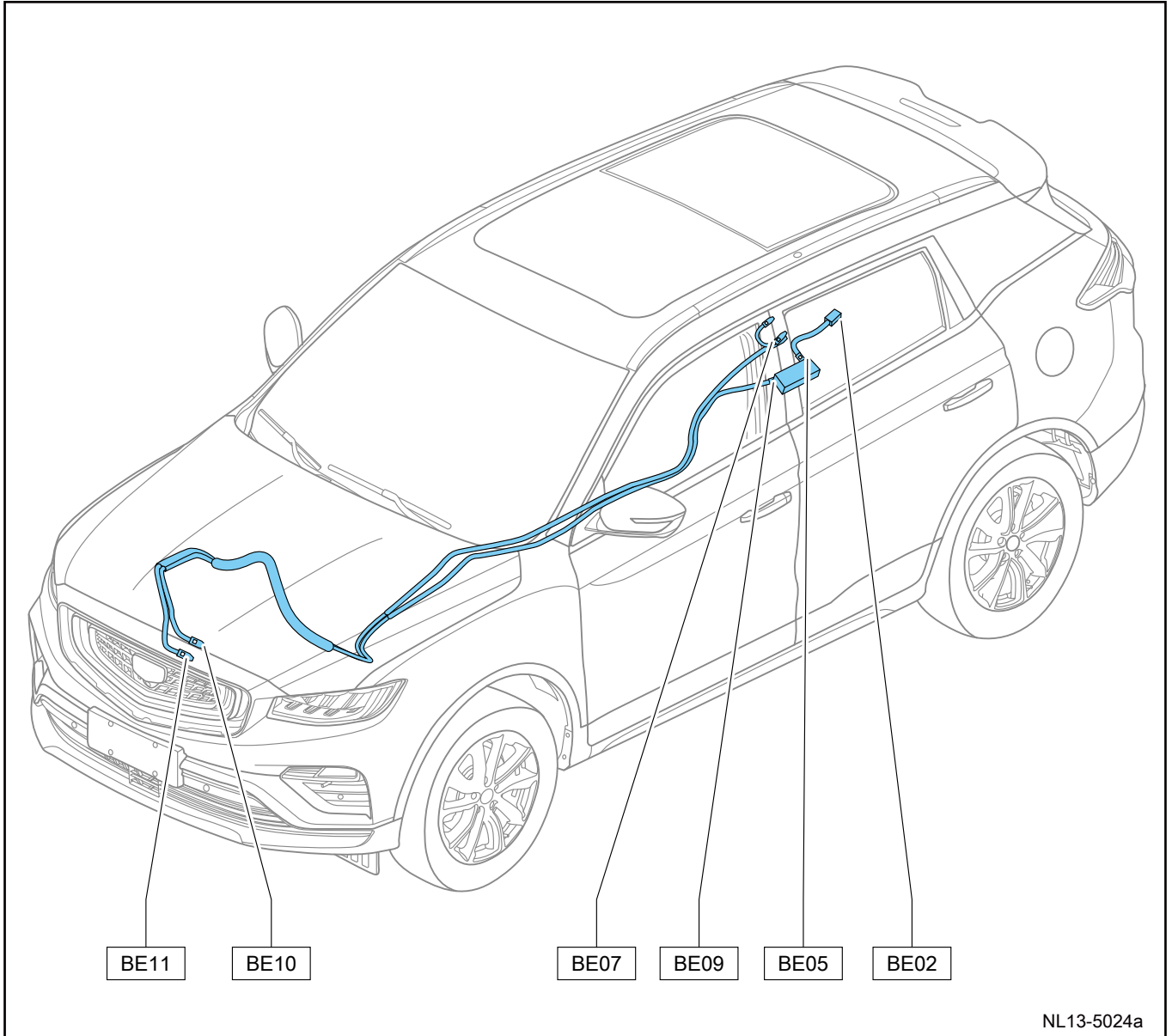
**Instrument Panel Relays List**

NUMBER	NAME	EXPLANATION
IR01	ACC relay	Printed circuit board(PCB)
IR02	IG1 relay	Printed circuit board(PCB)
IR03	IG2 relay	Printed circuit board(PCB)
IR05	Heated steering wheel relay	Printed circuit board(PCB)

Layout of Battery Negative Harness



Layout of Battery Negative Harness ( Part 1 )

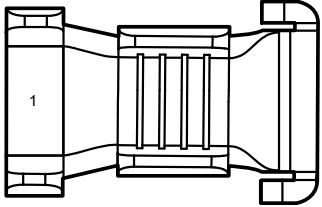


**Battery Negative Harness Connector List**

Harness connector	Name	Harness connector	Name
BE01	Battery (-)	BE09	Harness connector to 48V battery fuse box 2
BE02	48V Battery (+)	BE10	BSG (-)
BE05	Harness connector to 48V battery fuse box 1	BE11	BSG (+)
BE07	48V Battery (-)	-	-

Battery terminal negative harness terminals defined

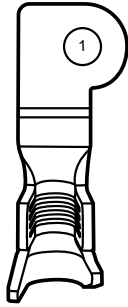
BE01 Battery (-)



NL13-5031a

1	Grounding	-	-
---	-----------	---	---

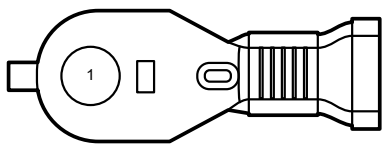
BE02 48V Battery (+)



NL13-5446a

1	48V output	-	-
---	------------	---	---

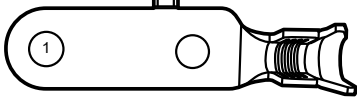
BE05 Harness connector to 48V battery fuse box 1



NL13-5445a

1	48V output	-	-
---	------------	---	---

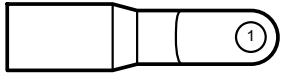
BE07 48V Battery (-)



NL13-5443a

1	48V grounding	-	-
---	---------------	---	---

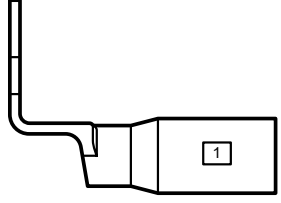
BE09 Harness connector to 48V battery fuse box 2



NL13-5442a

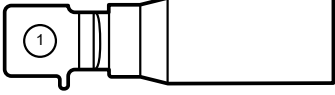
1	48V input	-	-
---	-----------	---	---

BE10 BSG (-)

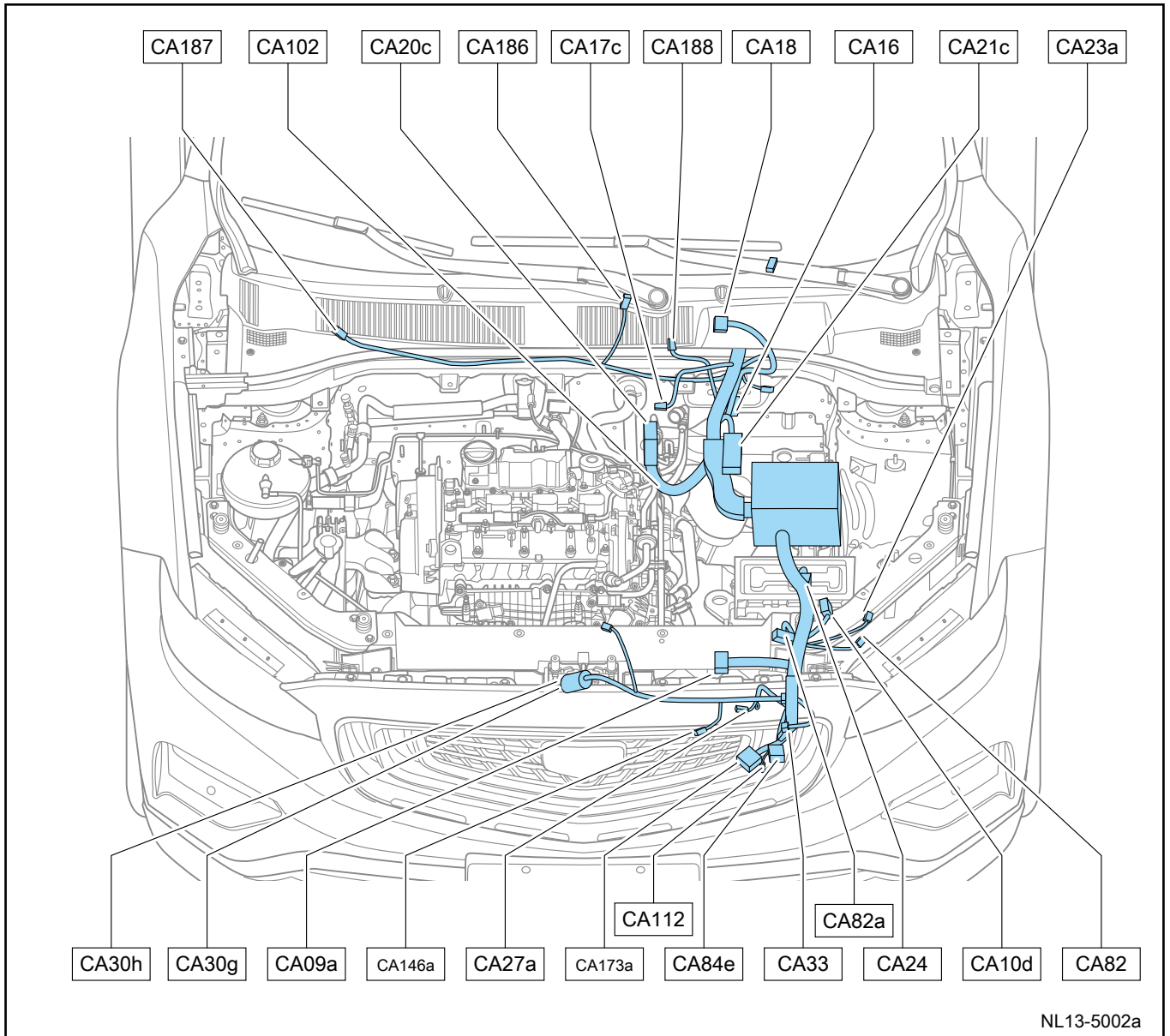


NL13-5440a

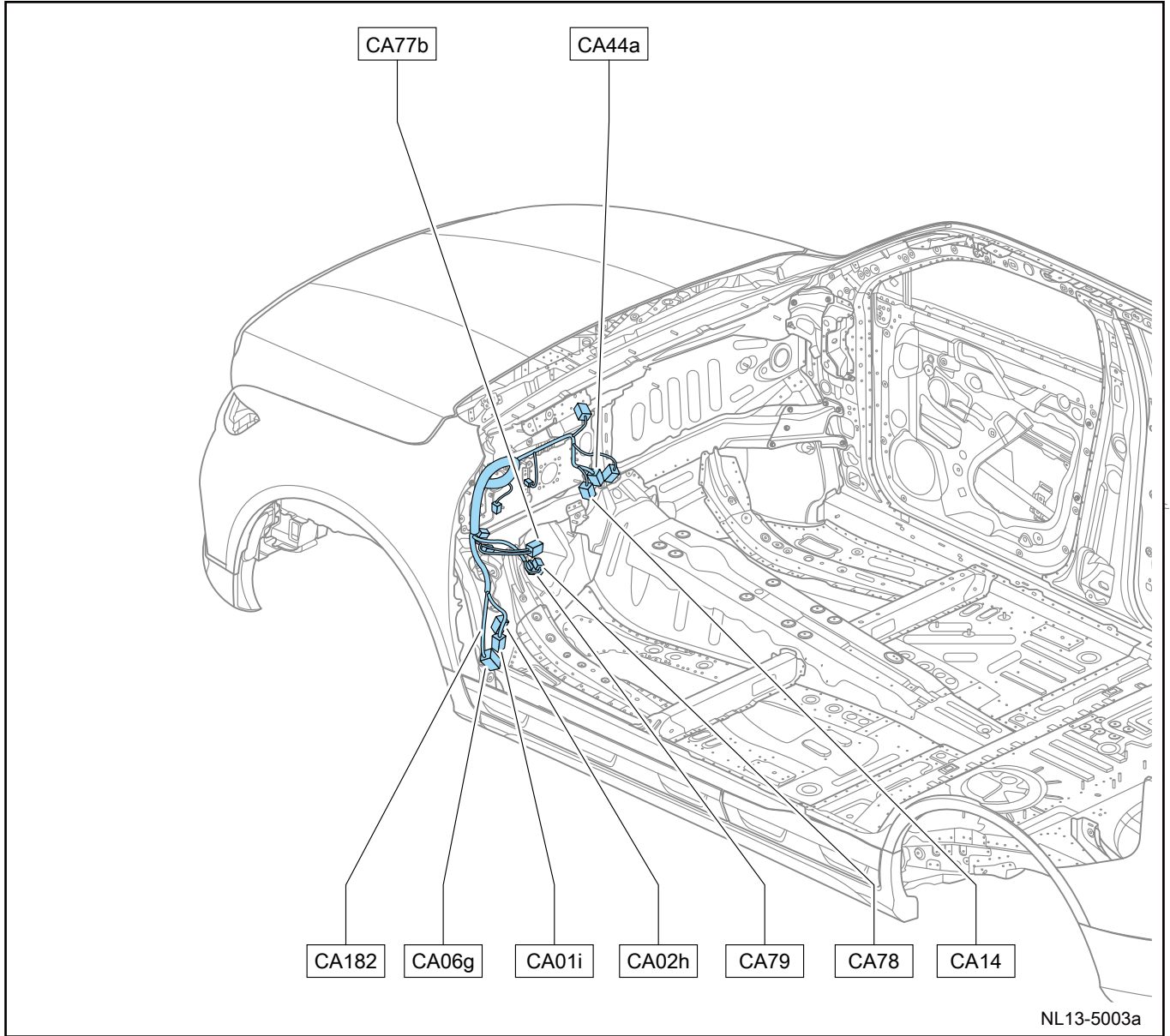
1	Grounding	-	-
---	-----------	---	---

BE11 BSG (+)			
			
NL13-5439a			
1	48V input	-	-

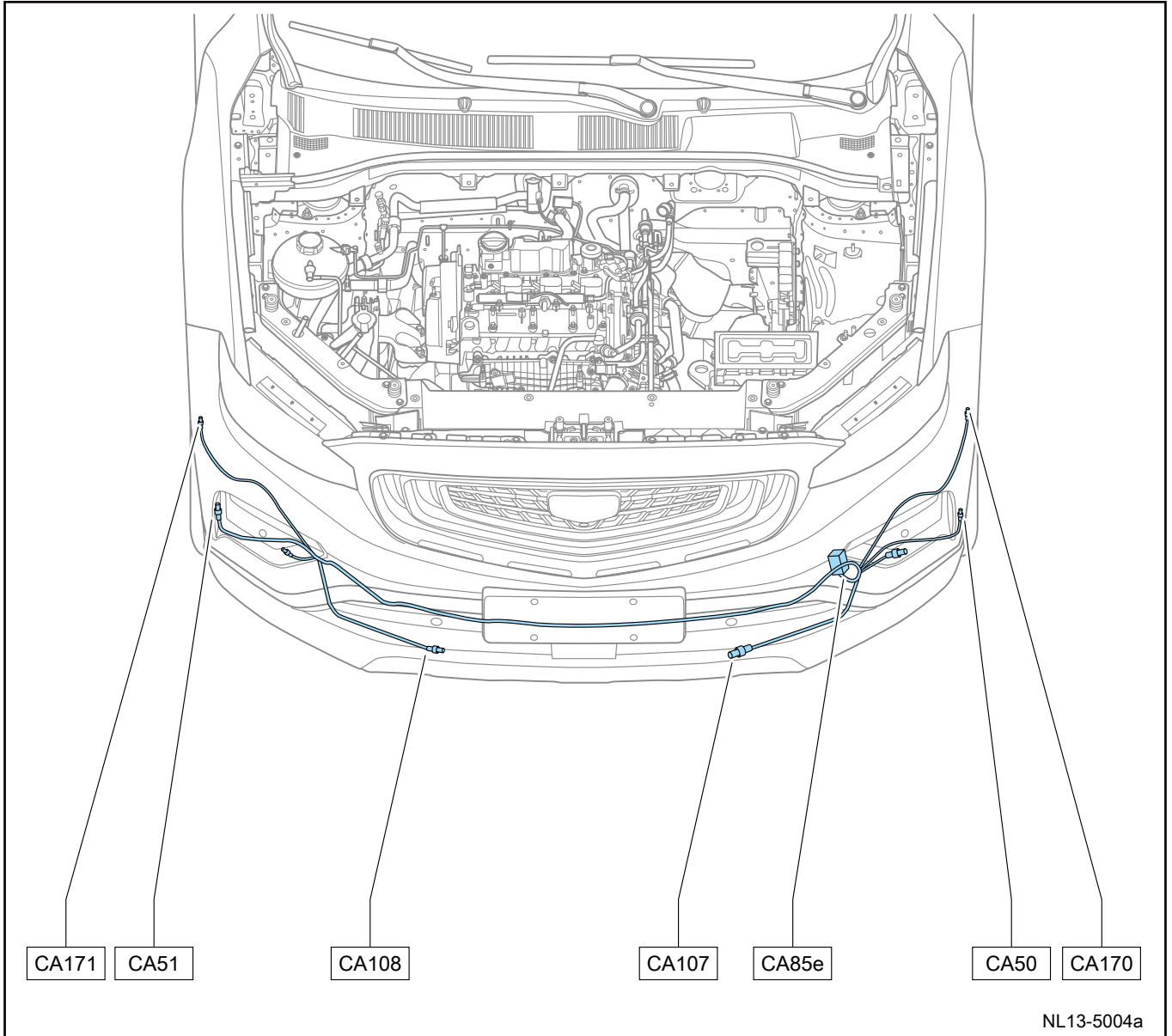
Layout of Engine Compartment Harness



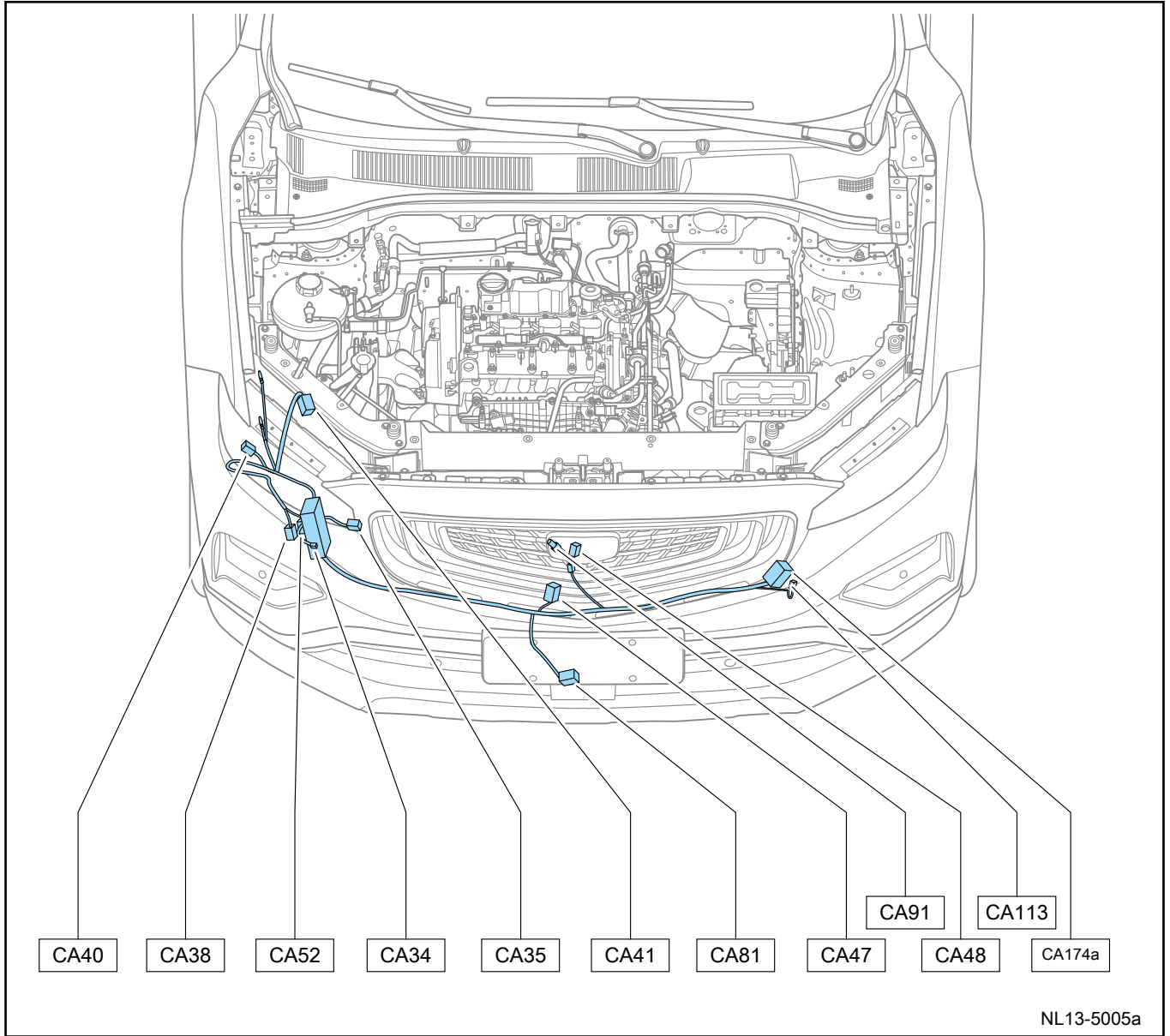
Layout of Engine Compartment Harness ( Part 1 )



Layout of Engine Compartment Harness ( Part 2 )



Layout of Engine Compartment Harness ( Part 3 )



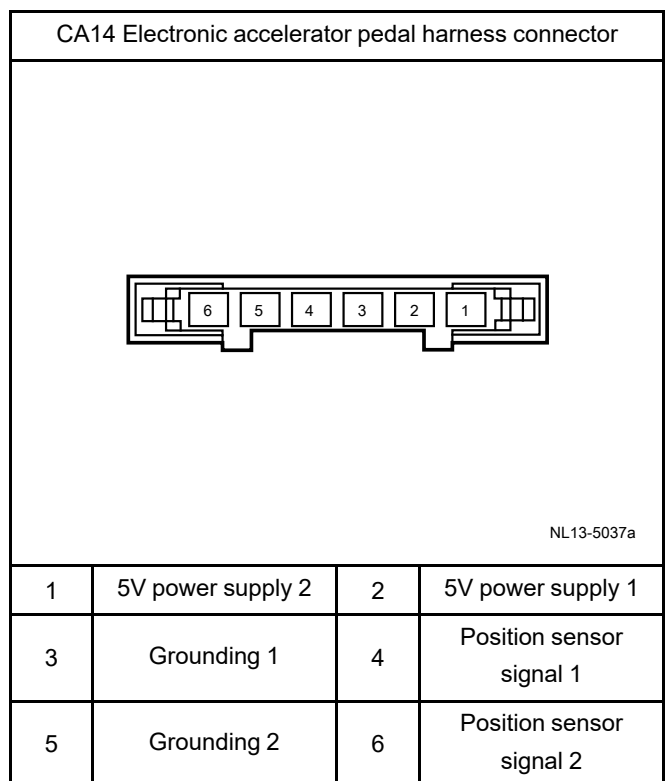
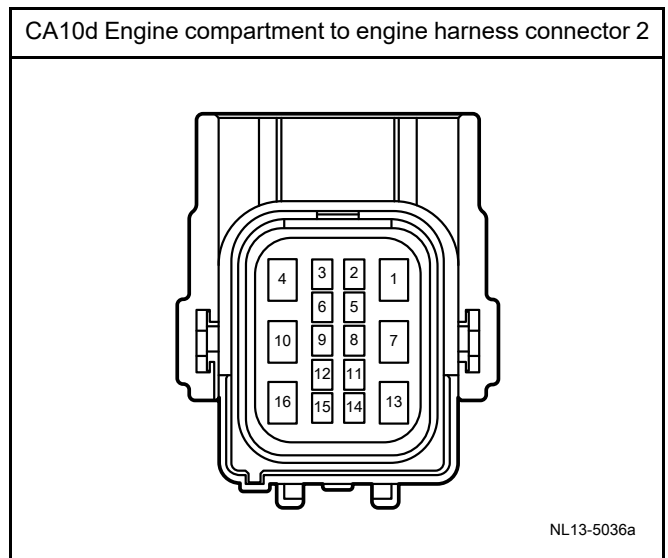
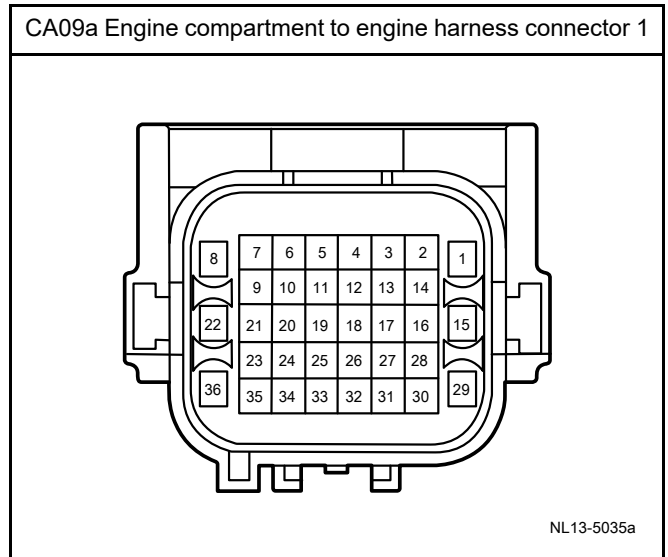
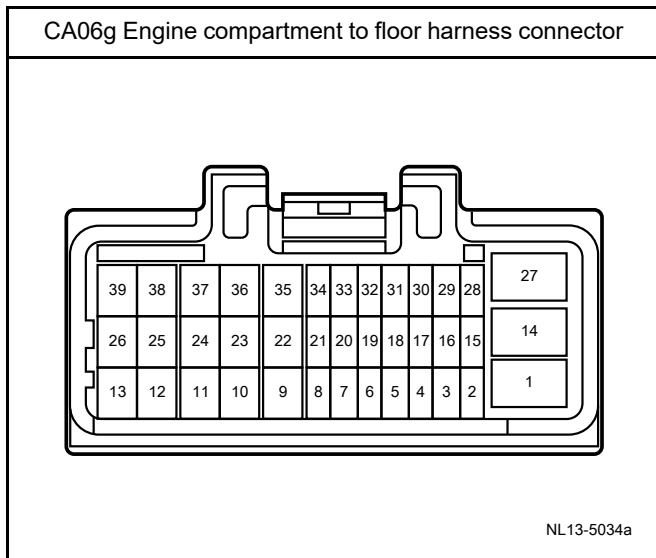
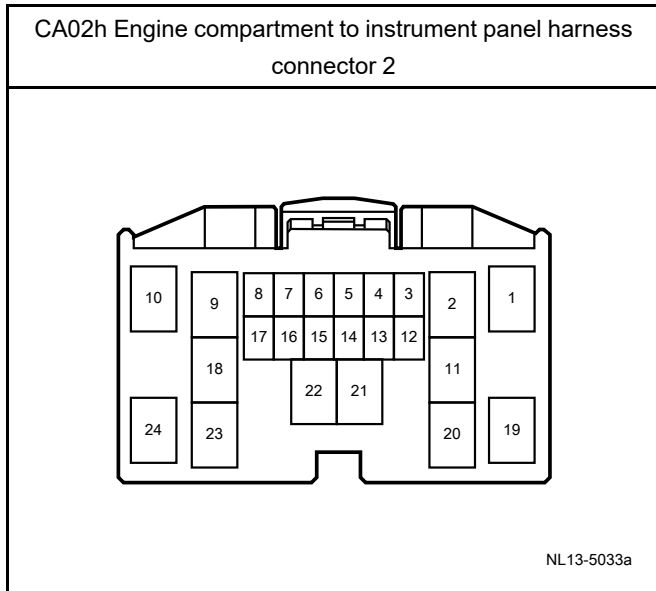
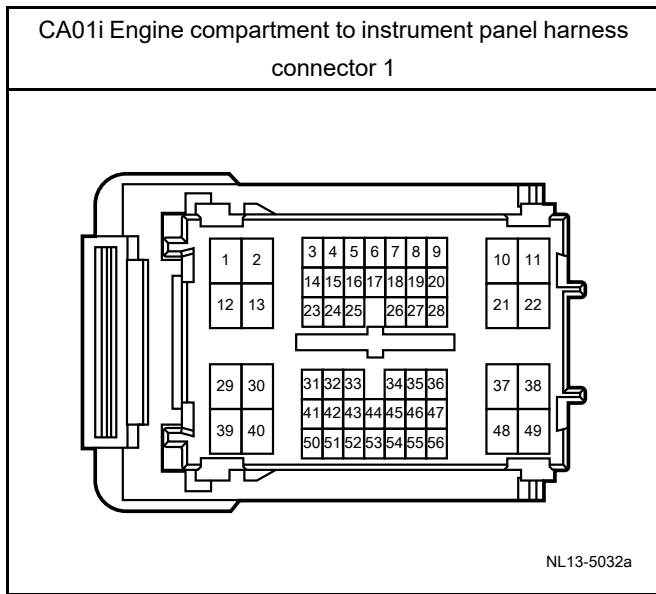
## List of Engine Compartment Harness Connector

Harness connector	Name	Harness connector	Name
CA01i	Engine compartment to instrument panel harness connector 1	CA51	Right front parking assistance sensor harness connector
CA02h	Engine compartment to instrument panel harness connector 2	CA52	Rear windshield wiper motor harness connector
CA06g	Engine compartment to floor harness connector	CA77b	Electrical power steering control module harness connector
CA09a	Engine compartment to engine harness connector 1	CA78	Intelligent electrical junction boxes harness connector A
CA10d	Engine compartment to engine harness connector 2	CA79	Intelligent electrical junction boxes harness connector B
CA14	Electronic accelerator pedal harness connector	CA81	Adaptive cruise control harness connector
CA16	Vacuum pressure sensor harness connector	CA82	DC/DC harness connector
CA17c	Brake fuel level sensor harness connector	CA82a	DC/DC harness connector
CA18	Front windshield wiper motor harness connector	CA84e	Engine compartment to front bumper harness connector
CA20c	Electronic stability control system harness connector	CA85e	Front bumper to engine compartment harness connector
CA21c	Engine control module harness connector 2	CA91	Front camera (360) harness connector
CA23a	Left front wheel speed sensor harness connector	CA102	JC11 harness connector
CA24	Left headlight harness connector	CA107	Left front mid parking assistance sensor harness connector
CA27a	Left front impact sensor harness connector	CA108	Right front mid parking assistance sensor harness connector
CA30g	Cooling fan harness connector	CA112	Engine compartment to front camera (360) harness connector
CA30h	Cooling fan harness connector	CA113	Front camera (360) to engine compartment harness connector
CA33	Left horn harness connector	CA146a	The second engine coolant temperature sensor harness connector
CA34	Right horn harness connector	CA170	Left front side parking assistance sensor harness connector
CA35	Right front impact sensor harness connector	CA171	Right front side parking assistance sensor harness connector
CA38	Front windshield wiper motor harness connector	CA173a	Engine compartment to front-end module harness connector
CA40	Right front wheel speed sensor harness connector	CA174a	Front-end module to engine compartment harness connector
CA41	Right headlight harness connector	CA182	Engine compartment to floor (360) harness connector

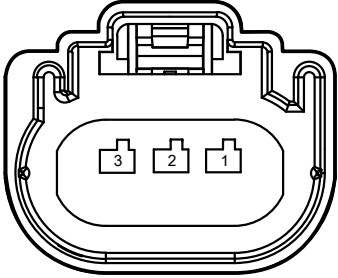
---

Harness connector	Name	Harness connector	Name
CA44a	Brake switch harness connector	CA186	Windshield washer before heating harness connector
CA47	Ambient temperature sensor harness connector	CA187	Windshield washer before heating harness connector
CA48	Engine hood lock switch harness connector	CA188	Front windshield defroster harness connector harness connector
CA50	Left front parking assistance sensor harness connector	-	-

Engine compartment harness terminals defined



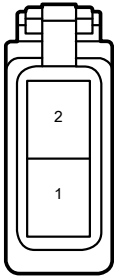
CA16 Vacuum pressure sensor harness connector



NL13-5542a

1	Sensor signal	2	Sensor grounding
3	5V power supply	-	-

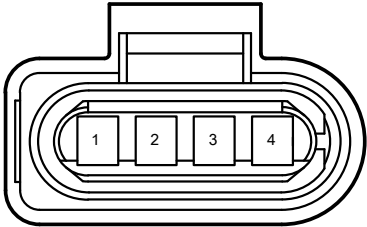
CA17c Brake fuel level sensor harness connector



NL13-5038a

1	Signal +	2	Grounding
---	----------	---	-----------

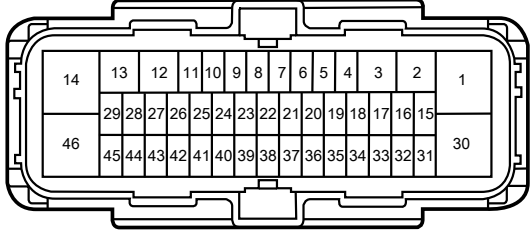
CA18 Front windshield wiper motor harness connector



NL13-5039a

1	High gear	2	Low gear
3	Reset	4	Grounding

CA20c Electronic stability control system harness connector

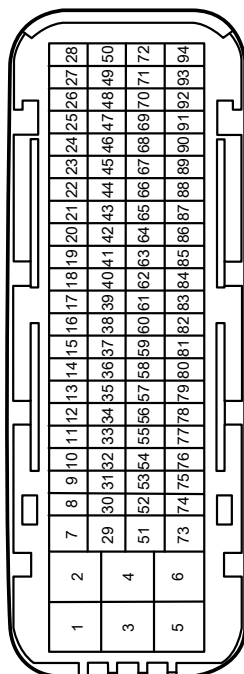


NL13-5040a

1	B+ power supply	2	Right brake caliper motor +
3	Right brake caliper motor -	4	-
5	CS CAN-H	6	-
7	Left front wheel speed sensor -	8	Automatic parking work LED negative end input signal
9	-	10	-
11	-	12	Left brake caliper motor -
13	Left brake caliper motor +	14	Grounding
15	EPB release signal input	16	EPB release signal output
17	Slow down switch signal output	18	-
19	CS CAN-L	20	-
21	Right front wheel speed sensor +	22	Right rear wheel speed sensor +
23	Left rear wheel speed sensor -	24	Left front wheel speed sensor +
25	-	26	Right front wheel speed sensor -
27	-	28	-
29	-	30	B+ power supply
31	EPB applied signal input	32	EPB applied signal output

33	-	34	-
35	-	36	IG1 power supply
37	Right rear wheel speed sensor -	38	Brake light switch signal
39	Left rear wheel speed sensor +	40	-
41	Automatic parking switch signal	42	-
43	ESC OFF switch	44	-
45	-	46	Grounding

CA21c Engine control module harness connector 2 (3G15TD)



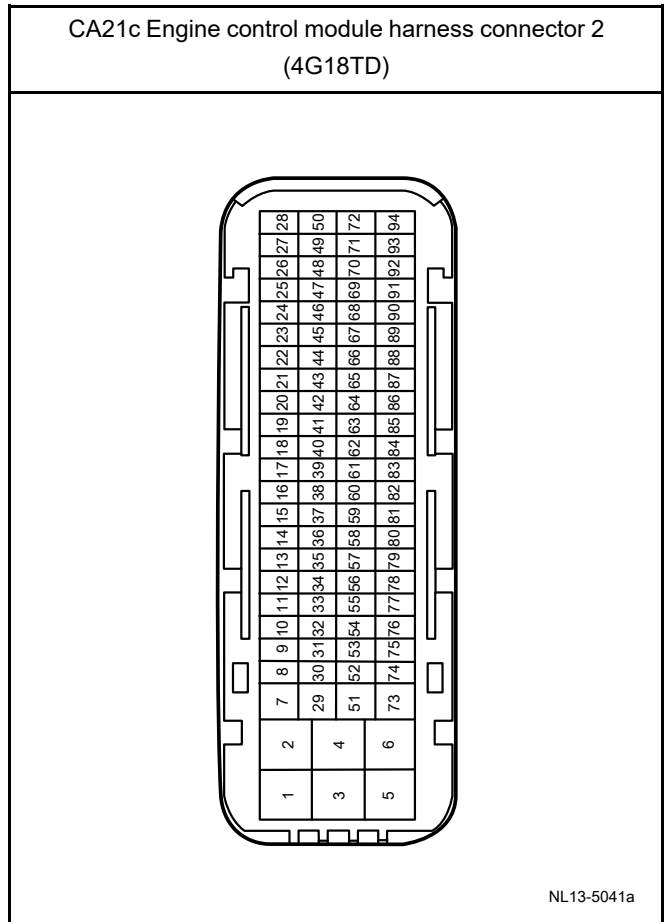
NL13-5041a

1	Grounding 1	2	Grounding 2
3	Main relay power supply 1	4	Grounding 3
5	Main relay power supply 2	6	Main relay power supply 3
7	Front oxygen sensor heating signal	8	Carbon canister -
9	-	10	Air conditioning pressure sensor signal

11	Qu Tong conductive tube/Low-voltage oil circuit/Vacuum pressure/GPF pressure difference sensor grounding	12	Low-voltage oil circuit sensors signal
13	Vacuum pressure sensor signal	14	High speed fan relay control
15	Fan control signal	16	Fuel tank leak detection module heating assembly -
17	GPF temperature/ Vacuum pressure sensor 5V power supply	18	-
19	Brake light signal	20	Air conditioning request switch
21	Second coolant temperature sensor -	22	-
23	-	24	Brake signal
25	Fuel tank leak detection module Pump	26	-
27	-	28	-
29	Rear oxygen sensor grounding	30	B+ power supply
31	Start relay 1 control	32	-
33	Rear oxygen sensor heating signal	34	-
35	-	36	Second coolant temperature sensor +
37	Venturi pipe pressure sensor signal	38	-
39	Low speed fan relay control	40	-
41	-	42	-
43	Leakage pressure sensor grounding	44	PT CAN-L
45	PT CAN-H	46	-
47	Start request signal	48	-
49	Fuel pump control module signal/Fuel pump relay control	50	A/C compressor relay control

51	Fuel tank leak detection module solenoid valve	52	Electronic accelerator pedal sensor grounding 2
53	-	54	-
55	-	56	-
57	Exhaust control valve -	58	Detect leak pressure sensor 5V power supply
59	Pressurized pressure temperature sensor 5V power supply	60	Engine Anti-theft
61	Electronic accelerator pedal signal output 2	62	Rear oxygen sensor signal
63	Pressurized pressure sensor signal	64	Pressurized temperature sensor signal
65	LIN	66	-
67	-	68	-
69	Main relay control	70	Start feedback signal
71	Pressurized pressure temperature sensor grounding	72	Fuel pump relay control
73	-	74	Leakage pressure sensor signal
75	-	76	Front oxygen sensor grounding
77	Front oxygen sensor power supply	78	-
79	Front oxygen sensor signal	80	Electronic accelerator pedal sensor grounding 1
81	Electronic accelerator pedal 5V power supply 2	82	Electronic accelerator pedal 5V power supply 1
83	Electronic accelerator pedal signal output 1	84	Triton conductive tube +
85	-	86	-
87	IG1 power supply	88	-
89	HB CAN-L	90	HB CAN-H

91	-	92	-
93	-	94	-

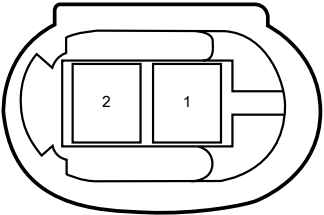


1	Grounding 1	2	Grounding 2
3	Main relay power supply 1	4	Grounding 3
5	Main relay power supply 2	6	Main relay power supply 3
7	Front oxygen sensor heating signal	8	Carbon canister -
9	-	10	Air conditioning pressure sensor signal
11	Qu Tong conductive tube/Low-voltage oil circuit/Vacuum pressure/GPF pressure difference sensor grounding	12	Low-voltage oil circuit sensors signal
13	-	14	-
15	Fan control signal	16	-

17	GPF temperature/ Low-voltage circuit sensor 5V power supply	18	GPF pressure difference sensor grounding
19	Brake light signal	20	Air conditioning request switch
21	Second coolant temperature sensor -	22	-
23	-	24	Brake signal
25	-	26	-
27	-	28	-
29	Rear oxygen sensor heating signal	30	B+ power supply
31	Start relay 1 control	32	-
33	Rear oxygen sensor grounding	34	-
35	-	36	Second coolant temperature sensor +
37	Venturi pipe pressure sensor signal	38	-
39	-	40	-
41	-	42	-
43	Leak pressure sensor grounding	44	PT CAN-L
45	PT CAN-H	46	-
47	Start request signal	48	-
49	Fuel pump control module signal	50	A/C compressor relay control
51	-	52	Electronic accelerator pedal sensor grounding 2
53	-	54	-
55	-	56	-
57	Exhaust control valve -	58	Detect leak pressure sensor 5V power supply
59	Pressurized pressure temperature sensor 5V power supply	60	Engine Anti-theft

61	Electronic accelerator pedal signal output 2	62	Rear oxygen sensor signal
63	Pressurized pressure sensor signal	64	Pressurized temperature sensor signal
65	LIN	66	-
67	-	68	-
69	Main relay control	70	Start feedback signal
71	Pressurized pressure/ temperature sensor grounding	72	Fuel pump relay control
73	-	74	Leakage pressure sensor signal
75	-	76	Front oxygen sensor grounding
77	Front oxygen sensor power supply	78	-
79	Front oxygen sensor signal	80	Electronic accelerator pedal sensor grounding 1
81	Electronic accelerator pedal 5V power supply 2	82	Electronic accelerator pedal 5V power supply 1
83	Electronic accelerator pedal signal output 1	84	Triton conductive tube +
85	-	86	-
87	IG1 power supply	88	-
89	HB CAN-L	90	-
91	-	92	-
93	-	94	-

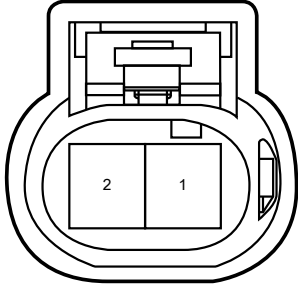
CA23a Left front wheel speed sensor harness connector



NL13-5042a

1	Signal -	2	Signal +
---	----------	---	----------

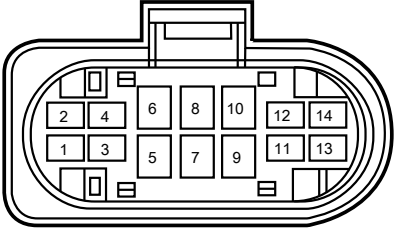
CA27a Left front impact sensor harness connector



NL13-5044a

1	Signal +	2	Signal -
---	----------	---	----------

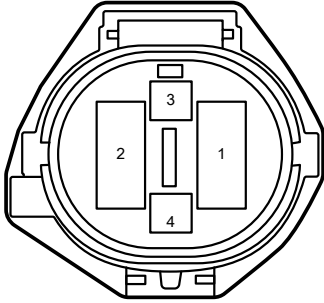
CA24 Left headlight harness connector



NL13-5043a

1	Headlamp height adjustment power supply	2	Headlamp height adjustment grounding
3	Headlamp height adjustment signal	4	Low beam fault feedback signal
5	Low beam power supply	6	Low beam grounding
7	High beam power supply	8	High beam grounding
9	Daytime Running light power supply	10	Turn signal/Position lamp/Daytime running light grounding
11	Position lamp power supply	12	Turn lamp power supply
13	LED light feedback	14	Turn signal switch signal

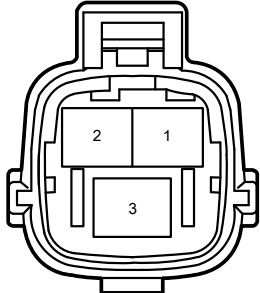
CA30g Cooling fan harness connector



NL13-5045a

1	ALT power supply	2	Grounding
3	-	4	Fan control signal

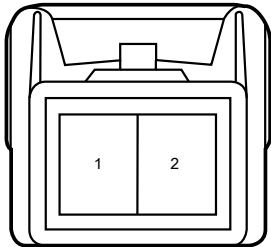
CA30h Cooling fan harness connector



NL13-5626a

1	Low gear	2	High gear
3	Grounding	-	-

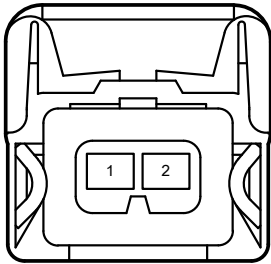
CA33 Left horn harness connector



NL13-5046a

1	Grounding	2	Power supply
---	-----------	---	--------------

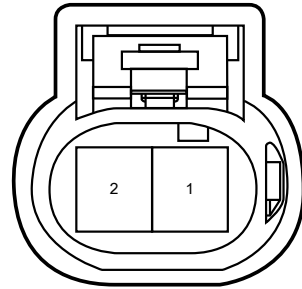
CA34 Right horn harness connector



NL13-5047a

1	Grounding	2	Power supply
---	-----------	---	--------------

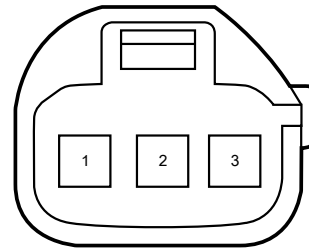
CA35 Right front impact sensor harness connector



NL13-5048a

1	Sensor +	2	Sensor -
---	----------	---	----------

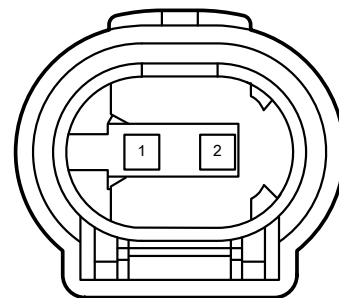
CA38 Front windshield wiper motor harness connector



NL13-5049a

1	Motor -	2	Motor +
3	-	-	-

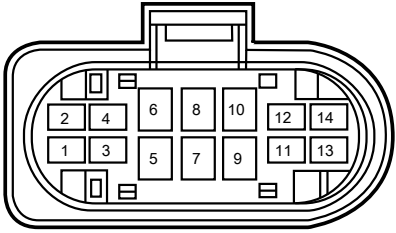
CA40 Right front wheel speed sensor harness connector



NL13-5050a

1	Sensor -	2	Sensor +
---	----------	---	----------

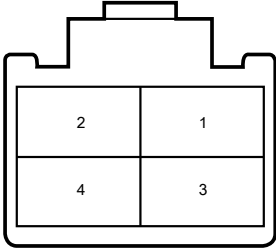
CA41 Right headlight harness connector



NL13-5051a

1	Motor adjustment power supply	2	Motor adjustment grounding
3	Motor adjustment signal	4	Low beam fault feedback signal
5	Low beam power supply	6	Low beam grounding
7	High beam power supply	8	High beam grounding
9	Daytime running light power supply	10	Turn signal/Position lamp/Daytime running light grounding
11	Position lamp power supply	12	Right turn signal power supply
13	LED light feedback	14	Turn signal switch feedback signal

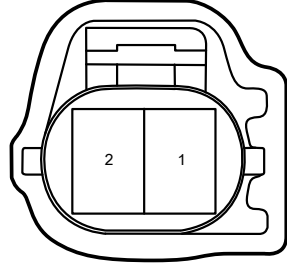
CA44a Brake switch harness connector



NL13-5052a

1	Brake light signal	2	Brake signal
3	B+ power supply	4	Main relay power supply

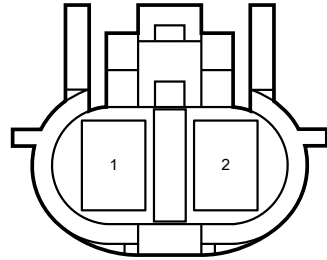
CA47 Ambient temperature sensor harness connector



NL13-5053a

1	Signal +	2	Signal -
---	----------	---	----------

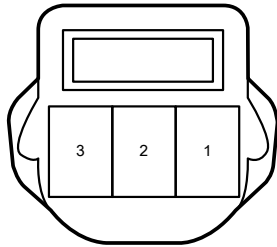
CA48 Engine hood lock switch harness connector



NL13-5054a

1	Grounding	2	Engine compartment cover contact switch signal
---	-----------	---	--

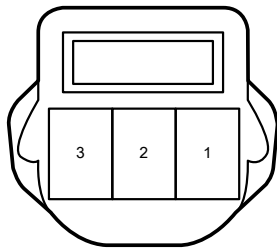
CA50 Left front parking assistance sensor harness connector



NL13-5055a

1	Power supply	2	Signal
3	Grounding	-	-

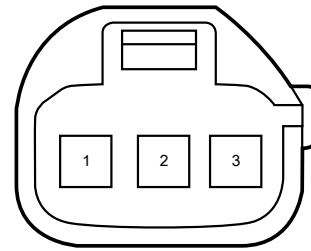
CA51 Right front parking assistance sensor harness connector



NL13-5056a

1	Power supply	2	Signal
3	Grounding	-	-

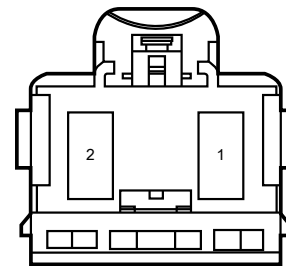
CA52 Rear windshield wiper motor harness connector



NL13-5057a

1	Motor -	2	Motor +
3	-	-	-

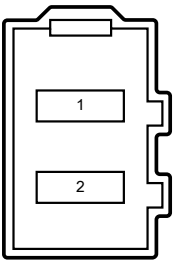
CA77b Electrical power steering control module harness connector



NL13-5058a

1	Power supply	2	Grounding
---	--------------	---	-----------

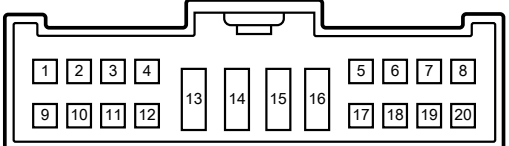
CA78 Intelligent electrical junction boxes harness connector A



NL13-5059a

1	B+ power supply	2	B+ power supply
---	-----------------	---	-----------------

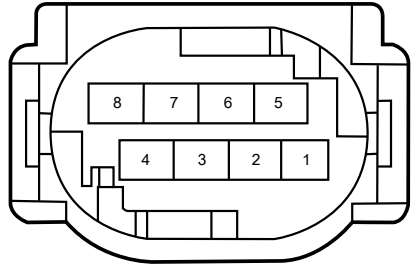
CA79 Intelligent electrical junction boxes harness connector B



NL13-5060a

1	-	2	-
3	-	4	-
5	-	6	-
7	-	8	-
9	-	10	-
11	-	12	-
13	-	14	-
15	ALT power supply	16	-
17	-	18	IG1 power supply
19	IG1 power supply	20	-

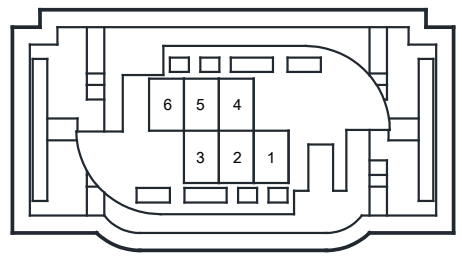
CA81 Adaptive cruise control harness connector



NL13-5061a

1	Grounding	2	CS CAN-H
3	CS CAN-L	4	-
5	CAN2-H	6	CAN2-L
7	-	8	IG2 power supply

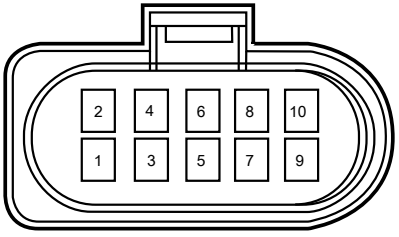
CA82 DC/DC harness connector



NL13-5409a

1	HB CAN-H	2	HB CAN-L
3	IG1 power supply	4	ALT power supply
5	-	6	-

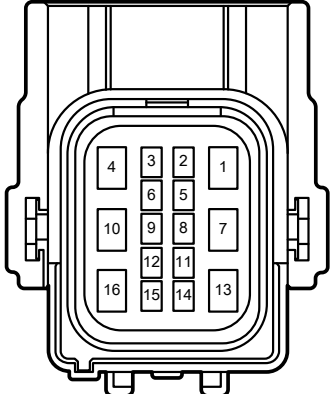
CA82a DC/DC harness connector



NL13-5619a

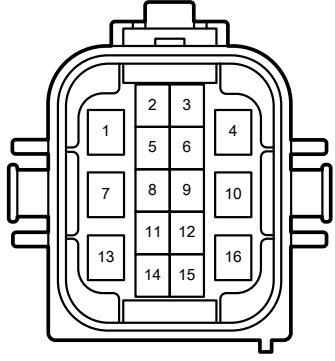
1	-	2	ALT power supply
3	-	4	HB CAN-L
5	HB CAN-H	6	IG1 power supply
7	-	8	-
9	-	10	-

CA84e Engine compartment to front bumper harness connector



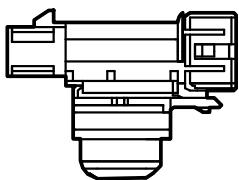
NL13-5062a

CA85e Front bumper to engine compartment harness connector



NL13-5063a

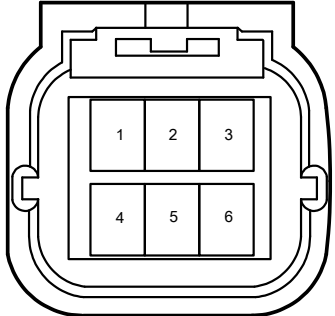
CA91 Front camera (360) harness connector



NL13-5543a

1	Video signal	-	-
---	--------------	---	---

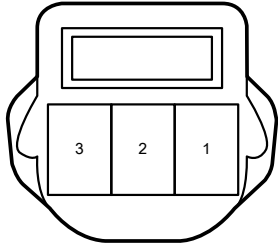
CA102 JC11 harness connector



NL13-5430a

1	HB CAN-H	2	HB CAN-H
3	HB CAN-H	4	HB CAN-L
5	HB CAN-L	6	HB CAN-L

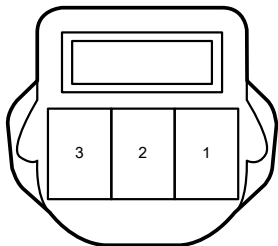
CA107 Left front mid parking assistance sensor harness connector



NL13-5066a

1	Power supply	2	Signal
3	Grounding	-	-

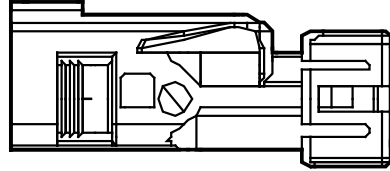
CA108 Right front mid parking assistance sensor harness connector



NL13-5067a

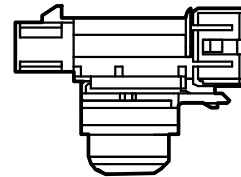
1	Power supply	2	Signal
3	Grounding	-	-

CA112 Engine compartment to front camera (360) harness connector



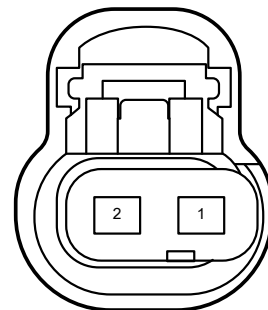
NL13-5544a

CA113 Front camera (360) to engine compartment harness connector



NL13-5545a

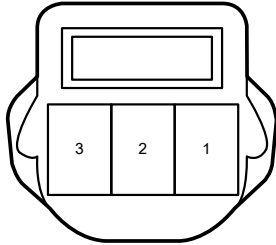
CA146a The second engine coolant temperature sensor harness connector



NL13-5068a

1	Sensor +	2	Sensor -
---	----------	---	----------

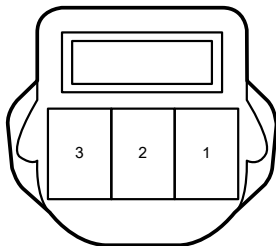
CA170 Left front side parking assistance sensor harness connector



NL13-5410a

1	Power supply	2	Signal
3	Grounding	-	-

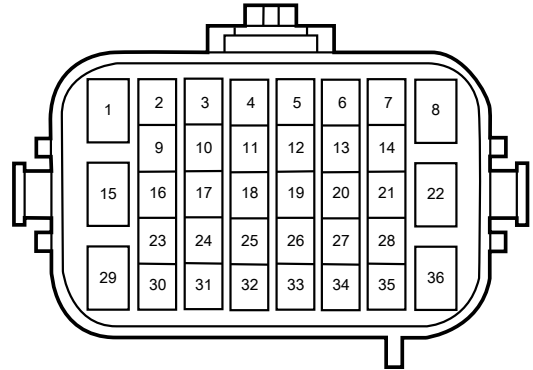
CA171 Right front side parking assistance sensor harness connector



NL13-5411a

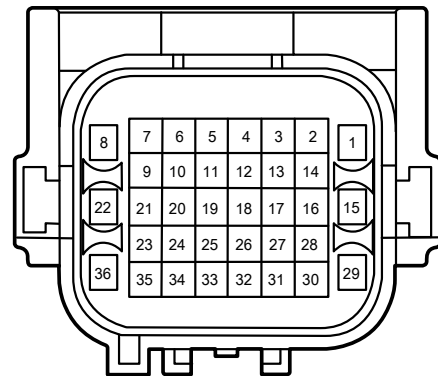
1	Power supply	2	Signal
3	Grounding	-	-

CA173a Engine compartment to front-end module harness connector



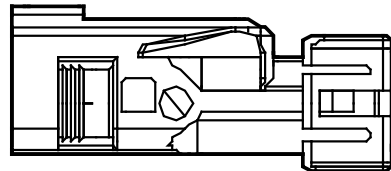
NL13-5070a

CA174a Front-end module to engine compartment harness connector



NL13-5071a

CA182 Engine compartment to floor (360) harness connector



NL13-5546a

CA186 Windshield washer before heating harness connector 1

NL13-5629a

1	IG2 power supply	2	Heating 1 output
---	------------------	---	------------------

CA187 Windshield washer before heating harness connector 2

NL13-5630a

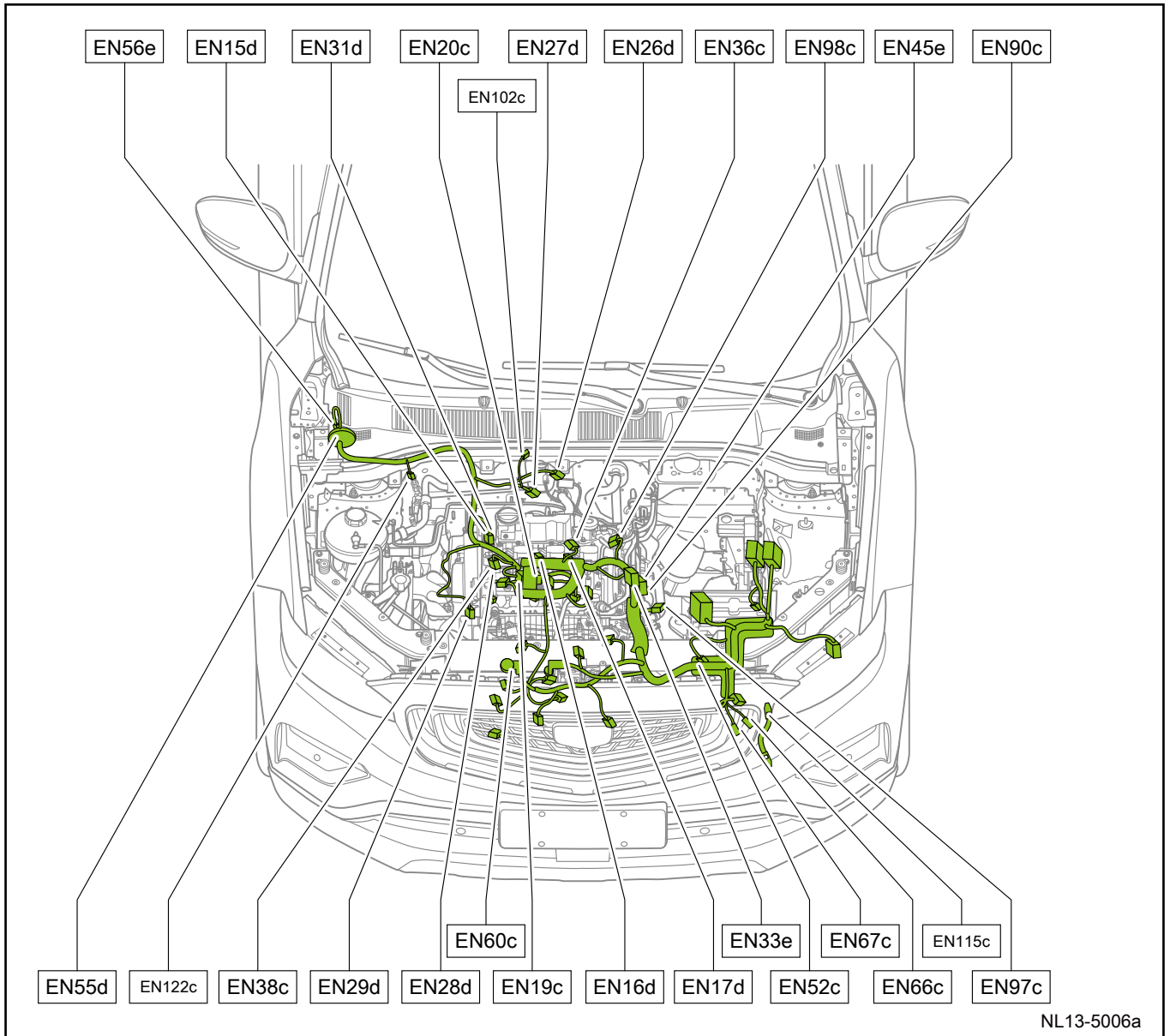
1	IG2 power supply	2	Heating 2 output
---	------------------	---	------------------

CA188 Front windshield defroster harness connector

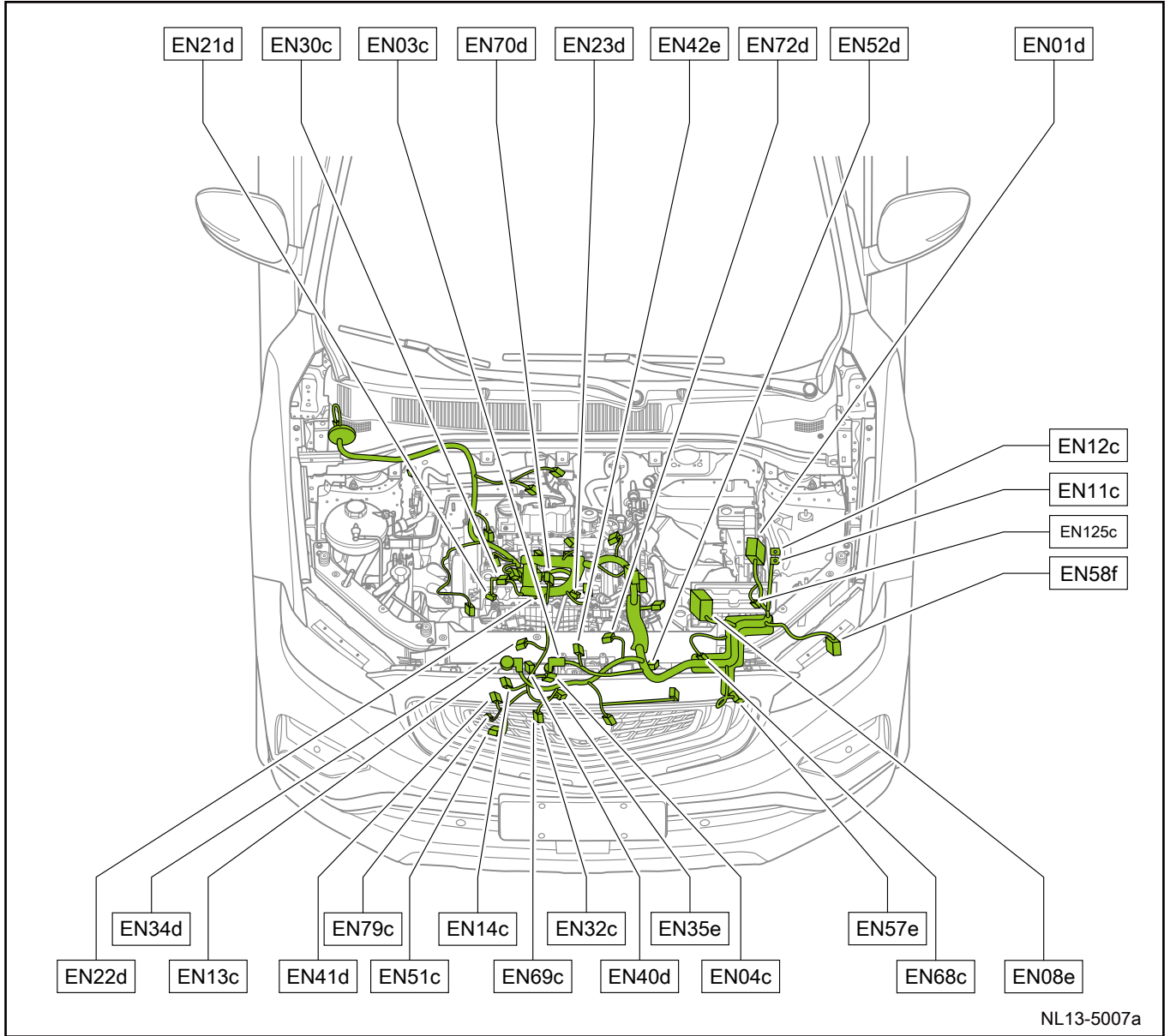
NL13-5428a

1	ALT power supply	2	Grounding
---	------------------	---	-----------

Layout of Engine Harness -JLH\_3G15TD



Layout of Engine Harness ( Part 1 ) -JLH\_3G15TD



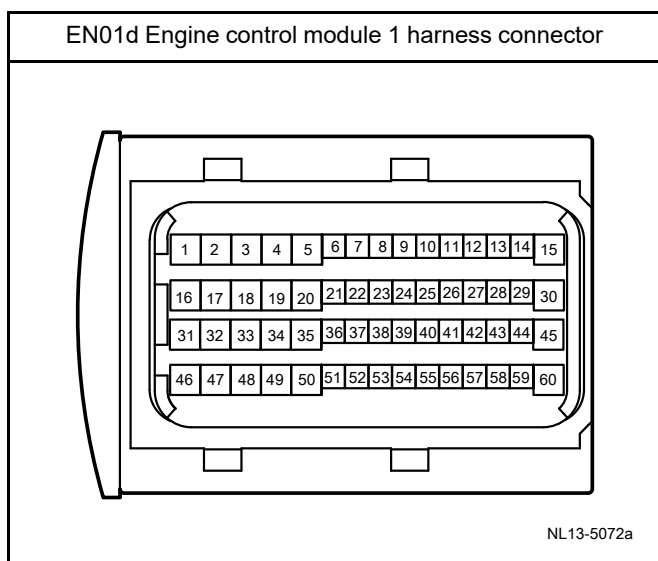
## Engine Harness Connector List-JLH\_3G15TD

Harness connector	Name	Harness connector	Name
EN01d	Engine control module 1 harness connector	EN38c	Crankshaft position sensor harness connector
EN03c	Starter motor (B+) harness connector	EN40d	Knock sensor harness connector
EN04c	Starter solenoid valve harness connector	EN41d	Oil pressure sensor harness connector
EN08e	Battery positive terminal harness connector	EN42e	Engine coolant temperature sensor harness connector
EN11c	Engine compartment fuses and relays box (lug 1)	EN45e	Exhaust relief solenoid valve harness connector
EN12c	Engine compartment fuses and relays box (lug 2)	EN51c	A/C compressor harness connector
EN13c	Generator (B+) harness connector	EN52c	TCU harness connector
EN14c	Generator harness connector	EN52d	TCU harness connector
EN15d	Ignition coil 1 harness connector	EN55d	Engine to Instrument panel harness connector
EN16d	Ignition coil 2 harness connector	EN56e	Engine to floor harness connector
EN17d	Ignition coil 3 harness connector	EN57e	Engine to engine compartment harness connector 1
EN19c	Engine to fuel injector harness connector	EN58f	Engine to engine compartment harness connector 2
EN20c	Fuel injector nozzle to engine harness connector	EN60c	BSG harness connector
EN21d	Fuel injector 1 harness connector	EN66c	DC/DC HV harness connector
EN22d	Fuel injector 2 harness connector	EN67c	DC/DC LV harness connector
EN23d	Fuel injector 3 harness connector	EN68c	Electronic shift actuator harness connector
EN26d	Upstream oxygen sensor harness connector	EN69c	Oil pump solenoid valve harness connector
EN27d	Downstream oxygen sensor harness connector	EN70d	Fuel rail pressure sensor harness connector
EN28d	Intake VVT solenoid harness connector	EN72d	Venturi tube sensor harness connector
EN29d	Exhaust VVT solenoid harness connector	EN79c	BSG signal harness connector
EN30d	Intake camshaft position sensor harness connector	EN90c	GPF temperature sensor harness connector
EN31d	Exhaust camshaft position sensor harness connector	EN97c	GPF pressure difference sensor harness connector
EN32c	Pressurized pressure temperature sensor harness connector	EN98c	Low-voltage circuit sensors harness connector
EN33e	Evaporative emission canister solenoid valve harness connector	EN102c	Qu Tong conductive tube harness connector
EN34d	Manifold absolute pressure/temperature sensor harness connector	EN115c	DC/DC terminal negative harness connector

---

Harness connector	Name	Harness connector	Name
EN35e	Electronic throttle body harness connector	EN122c	Air-conditioning pressure sensor harness connector
EN36c	Fuel control valve harness connector	EN125c	Battery sensor harness connector

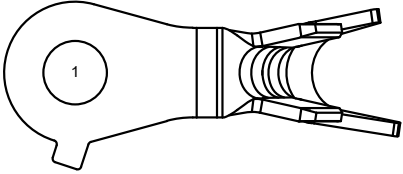
Engine harness terminals defined-JLH\_3G15TD



1	Electronic throttle motor control +	2	Electronic throttle motor control -
3	Fuel control valve -	4	Fuel control valve +
5	Exhaust side VVT solenoid -	6	Fuel rail pressure/ Intake air pressure temperature/Venturi pipe pressure sensor grounding
7	CKP sensor 5V power supply	8	Electronic throttle sensor 5V power supply ( sensor and motor )
9	-	10	KS -
11	Intake air temperature sensor signal	12	Intake pressure sensor signal
13	-	14	Rail pressure sensor signal
15	-	16	Oil pump solenoid valve -
17	-	18	Canister control Valve -
19	-	20	Intake side VVT solenoid -
21	-	22	-
23	Crankshaft Position Sensor (CKP) signal	24	Electronic throttle position signal 1
25	KS +	26	Sensor grounding
27	Camshaft position sensor 5V power supply	28	Crankshaft Position Sensor (CKP) grounding

29	Oil pressure Sensor grounding	30	-
31	Fuel injector 1 +	32	Fuel injector 2 +
33	Fuel injector 1 -	34	Fuel injector 3 -
35	-	36	GPF pressure difference sensor signal
37	Cylinder 1 ignition signal	38	Cylinder 3 ignition signal
39	Cylinder 2 ignition signal	40	-
41	Electronic throttle position sensor signal 2	42	Oil pressure/ temperature sensor signal
43	Engine coolant temperature sensor +	44	Fuel rail pressure/ Intake air pressure temperature/Venturi pipe pressure sensor 5V power supply
45	-	46	Fuel injector 3 +
47	-	48	Fuel injector 2 -
49	-	50	-
51	Electronic throttle Sensor grounding	52	Oil pressure sensor 5V power supply ( sensor and motor )
53	Intake camshaft position sensor signal	54	Exhaust camshaft position sensor (CMP) signal
55	-	56	GPF temperature sensor +
57	Sensor grounding	58	-
59	-	60	-

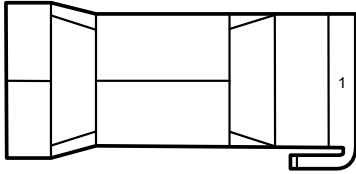
EN03c Starter motor (B+) harness connector



NL13-5551a

1	B+ power supply	-	-
---	-----------------	---	---

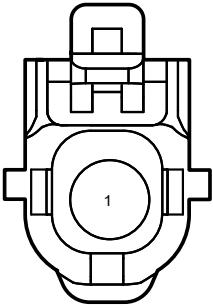
EN11c Engine compartment fuses and relays box (lug 1)



NL13-5622a

1	B+ power supply	-	-
---	-----------------	---	---

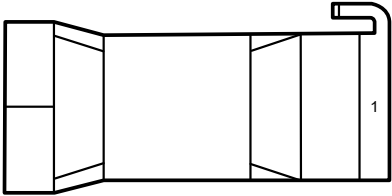
EN04c Starter solenoid valve harness connector



NL13-5074a

1	Starter excitation control signal	-	-
---	-----------------------------------	---	---

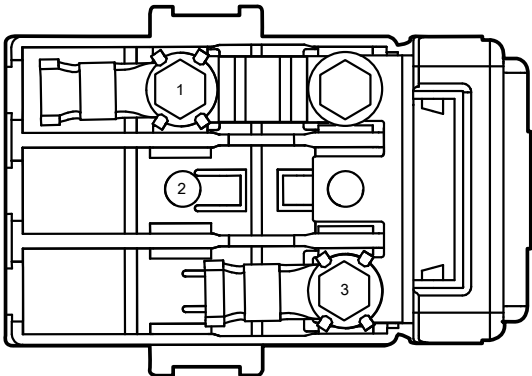
EN12c Engine compartment fuses and relays box (lug 2)



NL13-5663a

1	ALT power supply	-	-
---	------------------	---	---

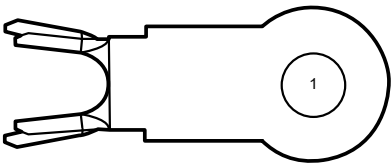
EN08e Battery positive terminal harness connector



NL13-5077a

1	B+ power supply	2	-
3	B+ power supply	-	-

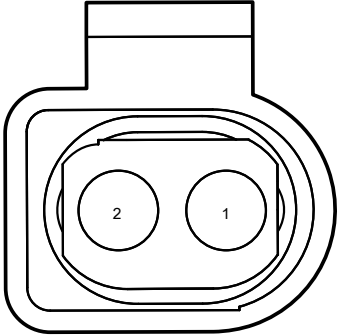
EN13c Generator (B+) harness connector



NL13-5624a

1	Generator power supply	-	-
---	------------------------	---	---

EN14c Generator harness connector

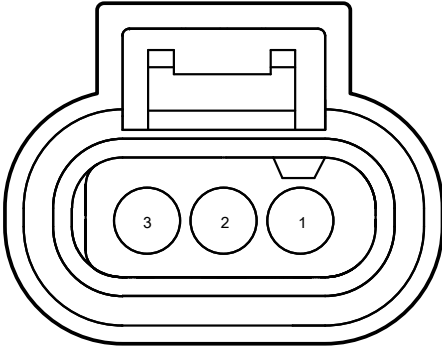


NL13-5081a

1	LIN	2	-
---	-----	---	---

1	Ignition signal	2	Grounding
3	Power supply	-	-

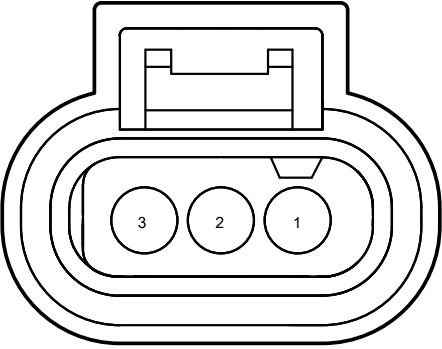
EN17d Ignition coil 3 harness connector



NL13-5084a

1	Ignition signal	2	Grounding
3	Power supply	-	-

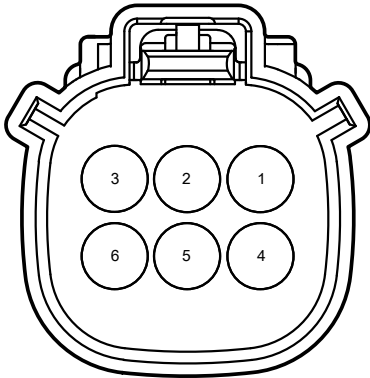
EN15d Ignition coil 1 harness connector



NL13-5082a

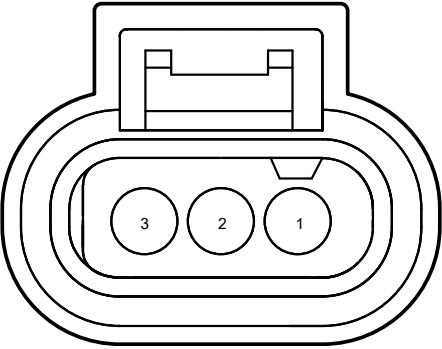
1	Ignition signal	2	Grounding
3	Power supply	-	-

EN19c Engine to fuel injector harness connector



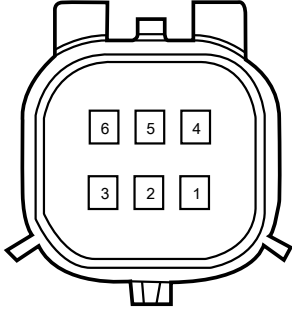
NL13-5085a

EN16d Ignition coil 2 harness connector



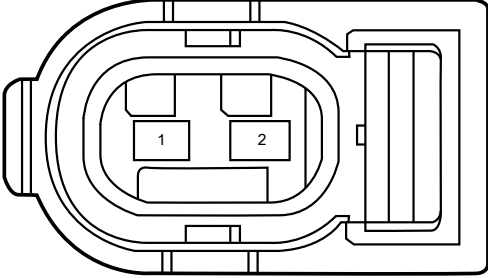
NL13-5083a

EN20c Fuel injector nozzle to engine harness connector



NL13-5086a

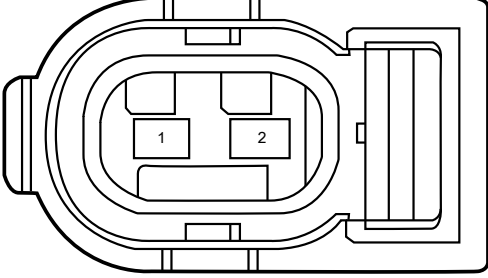
EN21d Fuel injector 1 harness connector



NL13-5087a

1	Fuel injector +	2	Fuel injector -
---	-----------------	---	-----------------

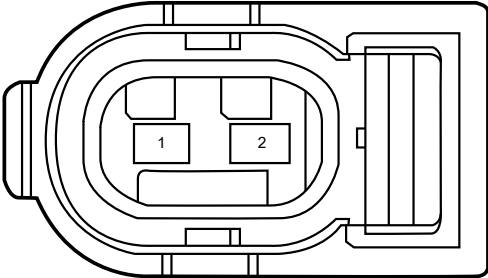
EN22d Fuel injector 2 harness connector



NL13-5088a

1	Fuel injector +	2	Fuel injector -
---	-----------------	---	-----------------

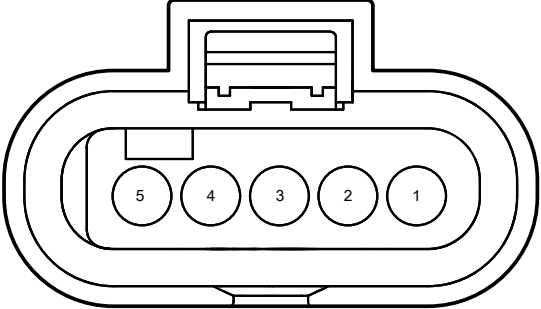
EN23d Fuel injector 3 harness connector



NL13-5089a

1	Fuel injector +	2	Fuel injector -
---	-----------------	---	-----------------

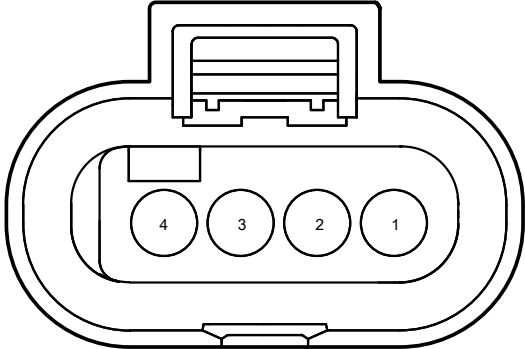
EN26d Upstream oxygen sensor harness connector



NL13-5090a

1	Sensor signal	2	sensor grounding
3	Heating grounding	4	Heating power supply
5	Sensor power supply	-	-

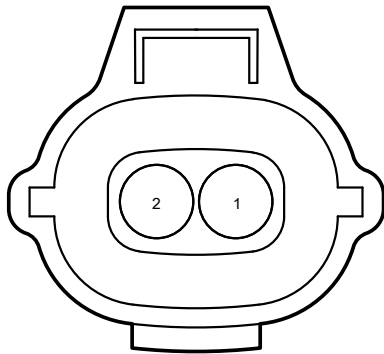
EN27d Downstream oxygen sensor harness connector



NL13-5091a

1	Sensor signal	2	sensor grounding
3	Heating grounding	4	Heating power supply

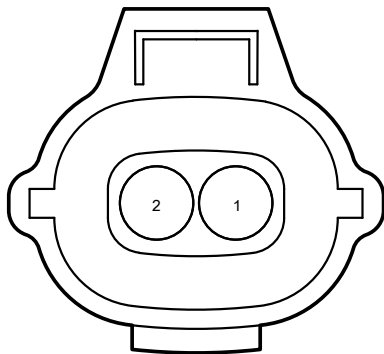
EN28d Intake VVT solenoid harness connector



NL13-5092a

1	Solenoid valve +	2	Solenoid valve -
---	------------------	---	------------------

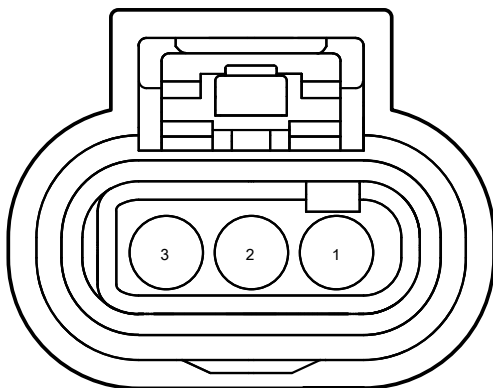
EN29d Exhaust VVT solenoid harness connector



NL13-5093a

1	Solenoid valve +	2	Solenoid valve -
---	------------------	---	------------------

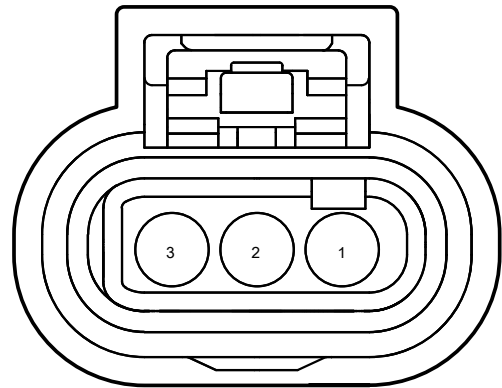
EN30d Intake camshaft position sensorharness connector



NL13-5094a

1	5V power supply	2	sensor grounding
3	Sensor signal	-	-

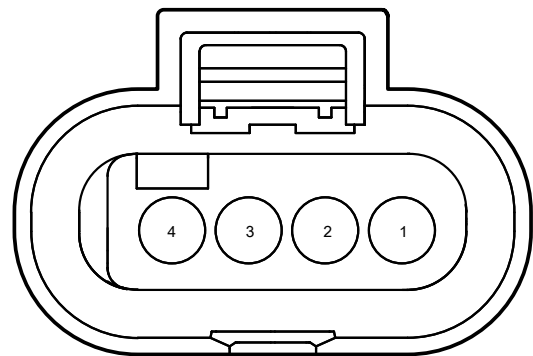
EN31d Exhaust CMP sensorharness connector



NL13-5095a

1	5V power supply	2	sensor grounding
3	Sensor signal	-	-

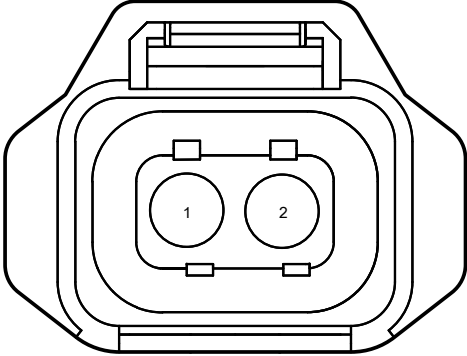
EN32c Pressurized pressure temperature sensor harness connector



NL13-5096a

1	Sensor grounding	2	Temperature signal
3	5V power supply	4	Pressure signal

EN33e Evaporative emission canister solenoid valve harness connector

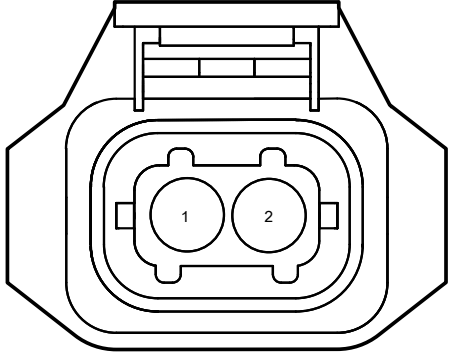


NL13-5097a

1	Solenoid valve -	2	Solenoid valve +
---	------------------	---	------------------

1	5V power supply	2	Potential signal 2
3	sensor grounding	4	Motor control -
5	Potential signal 1	6	Motor control +

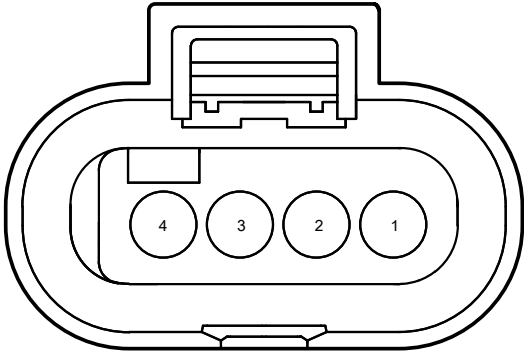
EN36c Fuel control valve harness connector



NL13-5100a

1	Solenoid valve +	2	Solenoid valve -
---	------------------	---	------------------

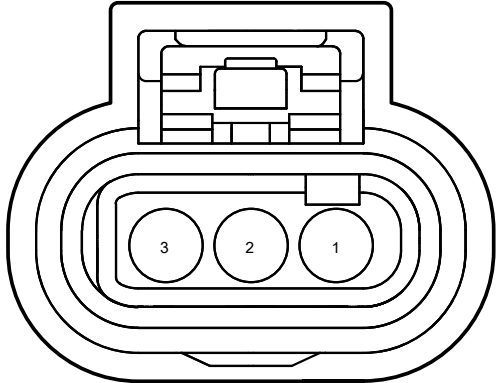
EN34d Manifold absolute pressure/temperature sensor harness connector



NL13-5098a

1	Sensor grounding	2	Temperature signal
3	5V power supply	4	Pressure signal

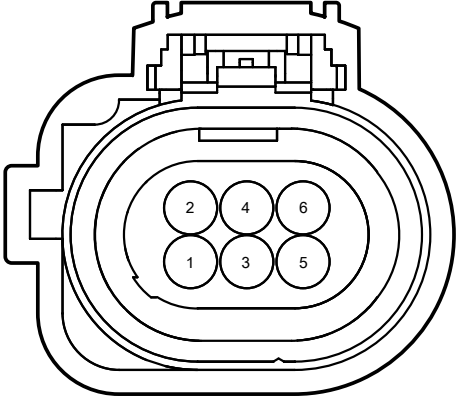
EN38c Crankshaft position sensor harness connector



NL13-5101a

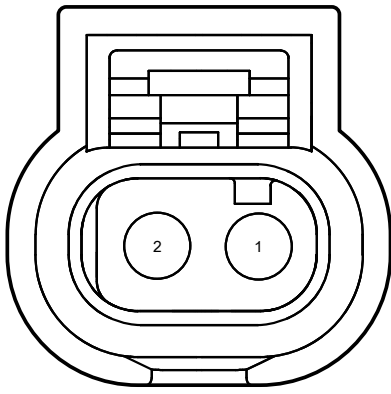
1	Sensor signal	2	Sensor grounding
3	5V power supply	-	-

EN35e Electronic throttle body harness connector



NL13-5099a

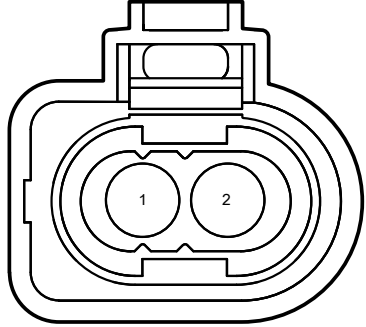
EN40d KSharness connector



NL13-5102a

1	Sensor +	2	Sensor -
---	----------	---	----------

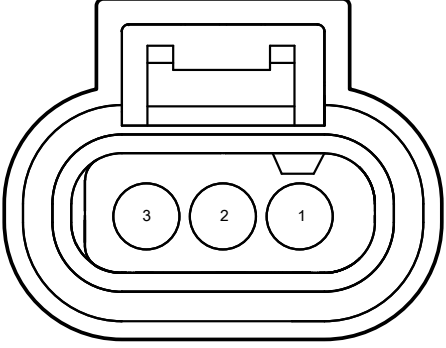
EN45e Exhaust relief solenoid valve harness connector



NL13-5105a

1	Solenoid valve +	2	Solenoid valve -
---	------------------	---	------------------

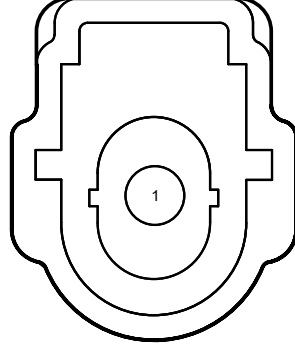
EN41d Oil pressure sensorharness connector



NL13-5103a

1	5V power supply	2	Sensor grounding
3	Oil pressure signal	-	-

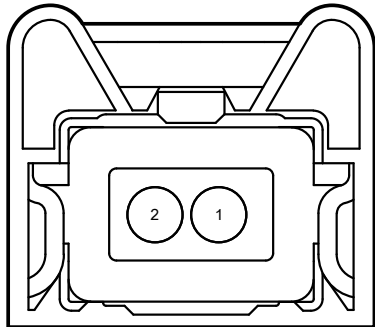
EN51c A/C compressor harness connector



NL13-5106a

1	Power supply	-	-
---	--------------	---	---

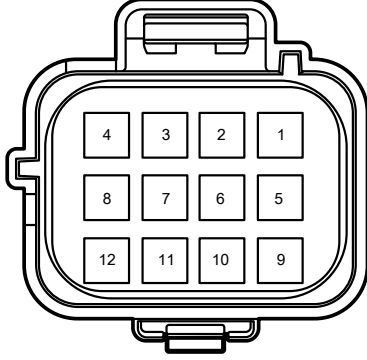
EN42e Engine coolant temperature sensorharness connector



NL13-5104a

1	Sensor +	2	Sensor -
---	----------	---	----------

EN52c TCU harness connector

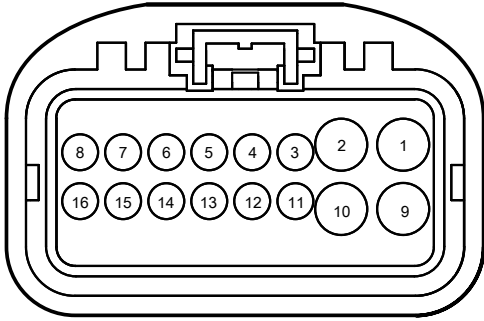


NL13-5538a

1	-	2	IG1 power supply
3	B+ power supply	4	B+ power supply
5	-	6	-

7	PT CAN-H	8	PT CAN-L
9	B+ power supply	10	B+ power supply
11	-	12	-

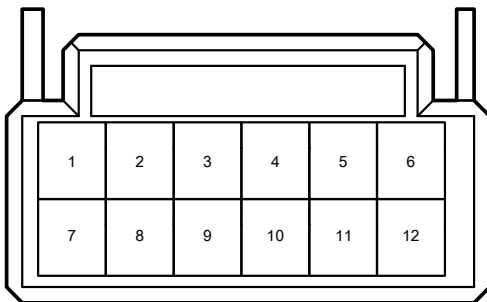
EN52d TCU harness connector



NL13-5107a

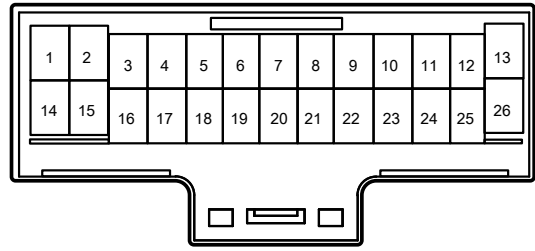
1	B+ power supply	2	-
3	-	4	-
5	-	6	PT CAN-L
7	-	8	-
9	Grounding	10	-
11	IG1 power supply	12	-
13	-	14	PT CAN-H
15	-	16	-

EN55d Engine to Instrument panel harness connector



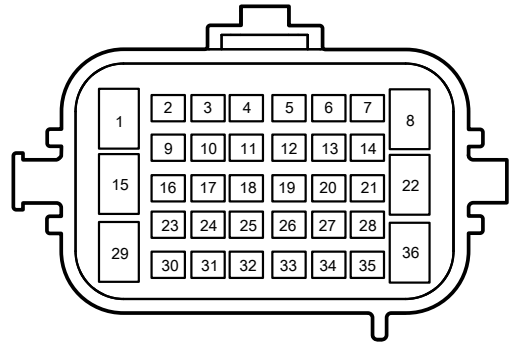
NL13-5109a

EN56e Engine to floor harness connector



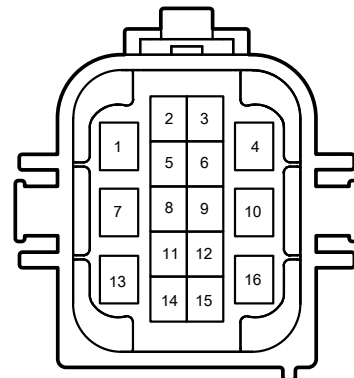
NL13-5110a

EN57e Engine to engine compartment harness connector 1



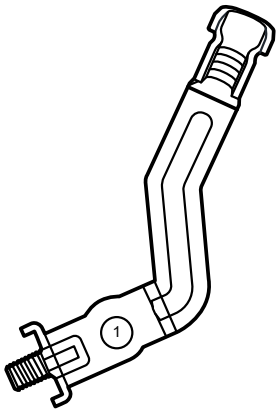
NL13-5111a

EN58f Engine to engine compartment harness connector 2



NL13-5112a

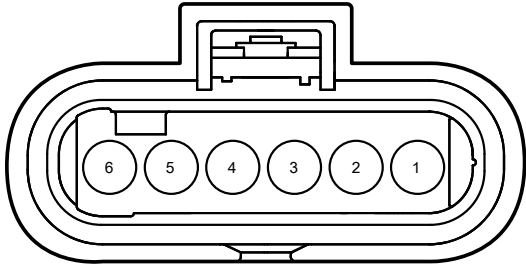
EN60c BSG harness connector



NL13-5438a

1	48V output	-	-
---	------------	---	---

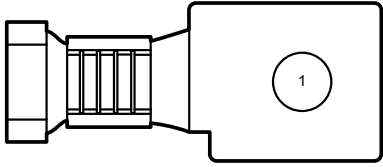
EN68c Electronic shift actuator harness connector



NL13-5113a

1	-	2	Shift Motor -
3	Shift Motor +	4	Grounding
5	Sensor signal	6	Sensor 5v power supply

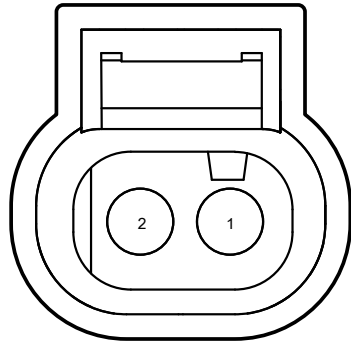
EN66c DC/DC HV harness connector



NL13-5436a

1	48V input	-	-
---	-----------	---	---

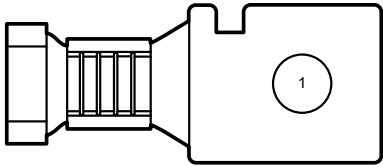
EN69c Oil pump solenoid valve harness connector



NL13-5114a

1	Solenoid valve +	2	Solenoid valve -
---	------------------	---	------------------

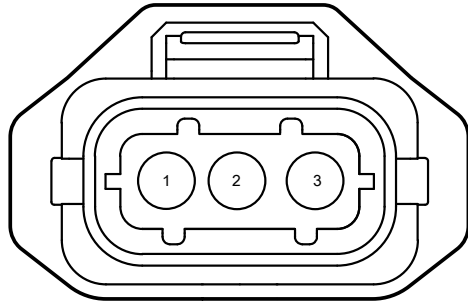
EN67c DC/DC LV harness connector



NL13-5435a

1	12V output	-	-
---	------------	---	---

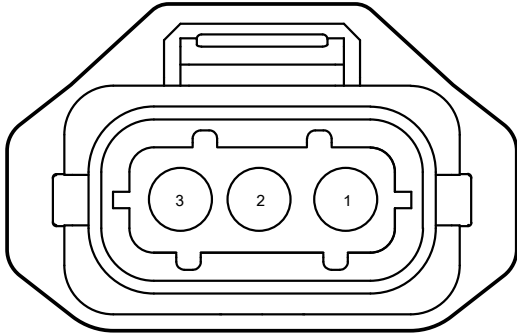
EN70d Fuel rail pressure sensor harness connector



NL13-5115a

1	Sensor grounding	2	Sensor signal
3	5V power supply ( sensor and motor )	-	-

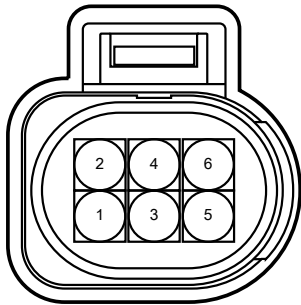
EN72d Venturi tube sensor harness connector



NL13-5116a

1	5V power supply ( sensor and motor )	2	Sensor grounding
3	Sensor signal	-	-

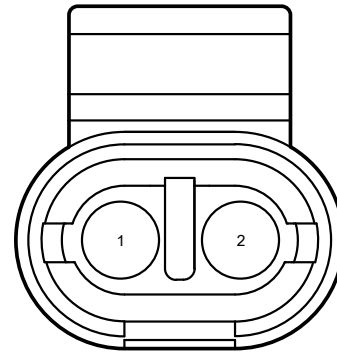
EN79c BSG signal harness connector



NL13-5437a

1	ALT power supply	2	-
3	IG1 power supply	4	HB CAN-H
5	Grounding	6	HB CAN-L

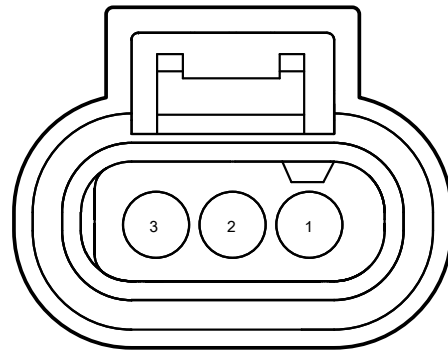
EN90c GPF temperature sensorharness connector



NL13-5117a

1	Sensor -	2	Sensor +
---	----------	---	----------

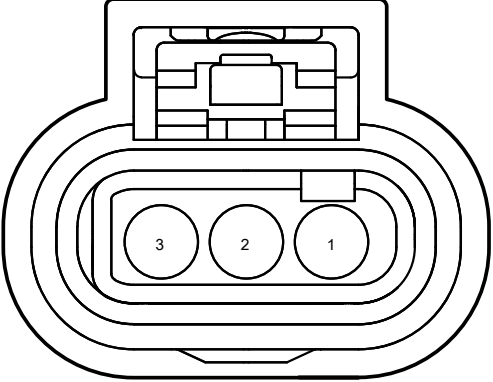
EN97c GPF pressure difference sensorharness connector



NL13-5118a

1	Sensor signal	2	GPF pressure difference Sensor grounding
3	GPF pressure difference sensor5V power supply ( sensor and motor )	-	-

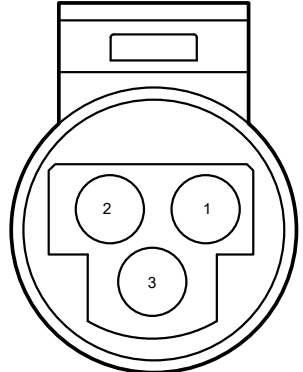
EN98c Low-voltage circuit sensors harness connector



NL13-5119a

1	5V power supply	2	Sensor signal
3	Sensor grounding	-	-

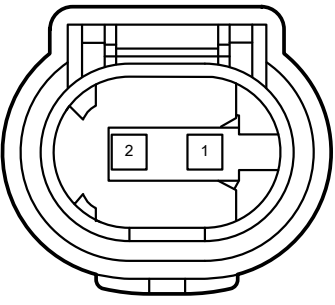
EN122c Air-conditioning pressure sensor harness connector



NL13-5120a

1	Sensor grounding	2	5V power supply ( sensor and motor )
3	Sensor signal	-	-

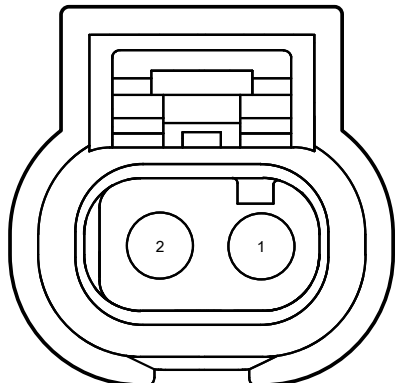
EN102c Qu Tong conductive tube harness connector



NL13-5434a

1	Triton conductive tube +	2	Triton conductive tube -
---	--------------------------	---	--------------------------

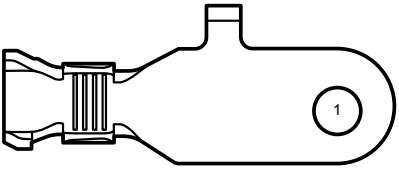
EN125c Battery sensor harness connector



NL13-5121a

1	LIN	2	B+ power supply
---	-----	---	-----------------

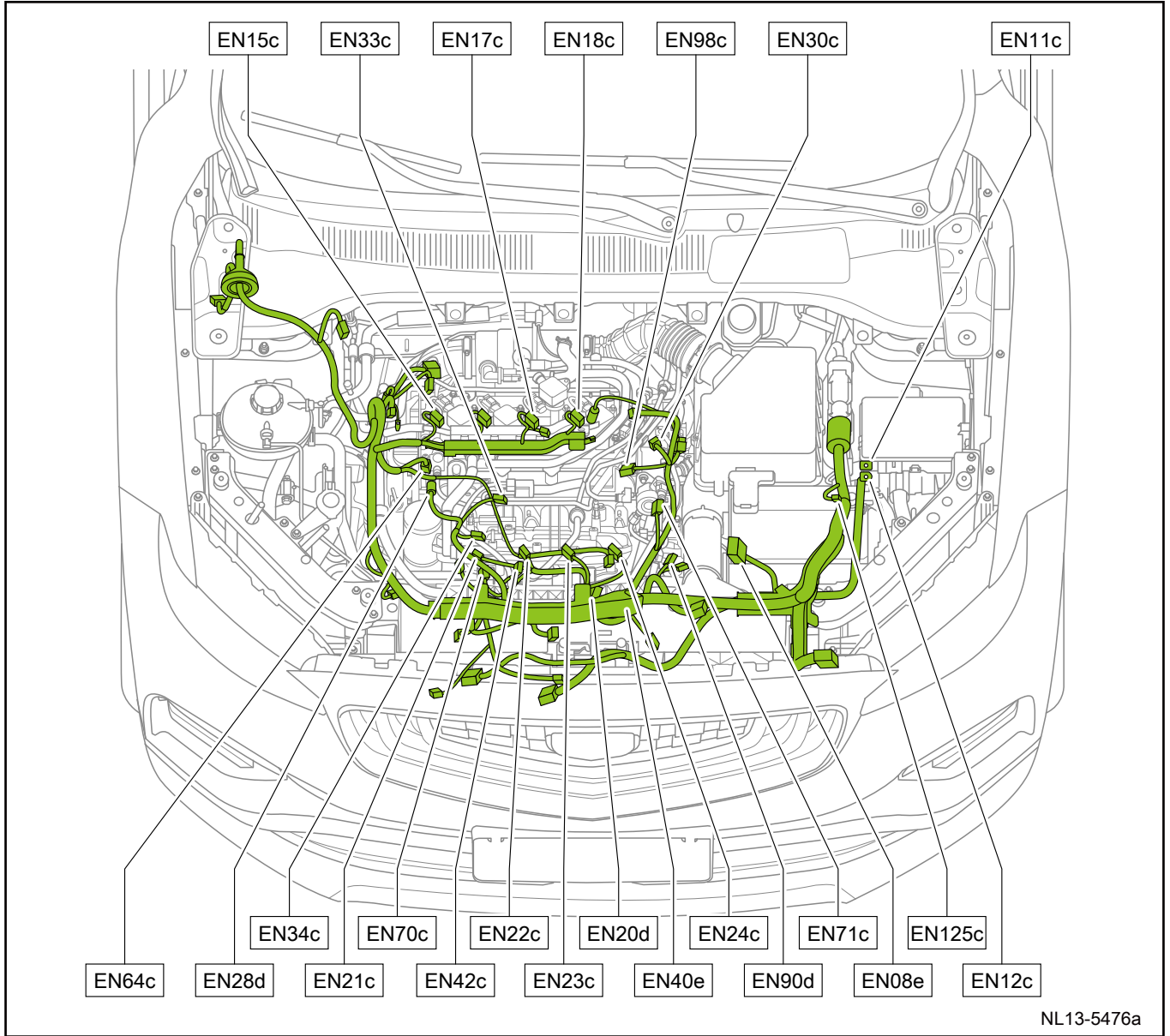
EN115c DC/DC terminal negative harness connector



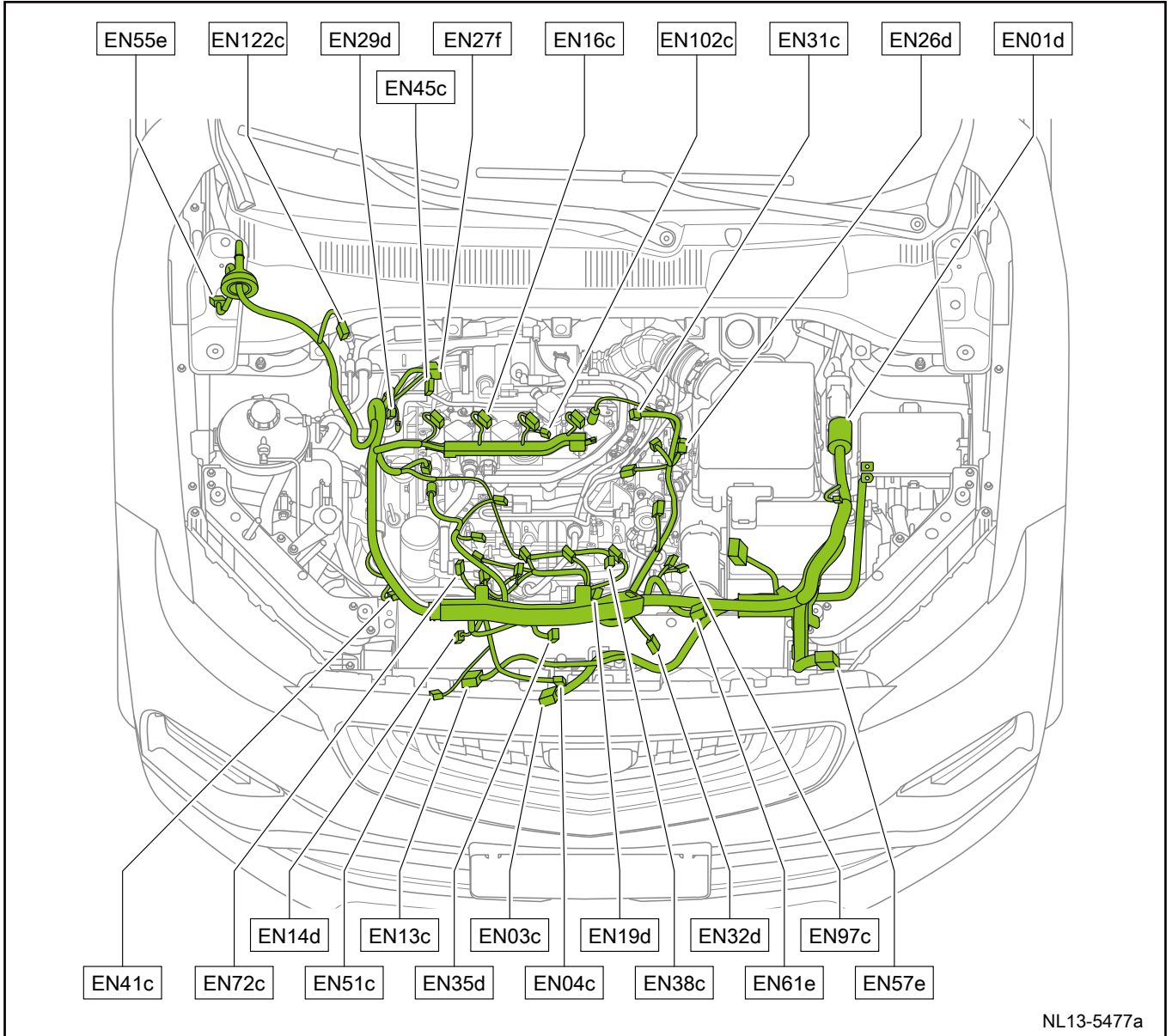
NL13-5444a

1	Grounding	-	-
---	-----------	---	---

Layout of Engine Harness-JLE\_4G18TD



Layout of Engine Harness ( Part 1 ) -JLE\_4G18TD



## Engine Harness Connector List-JLE\_4G18TD

Harness connector	Name	Harness connector	Name
EN01d	Engine control module 1 harness connector	EN32d	Pressurized pressure temperature sensor harness connector
EN03c	Starter motor (B+) harness connector	EN33c	Evaporative emission canister solenoid valve harness connector
EN04c	Starter solenoid valve harness connector	EN34c	Manifold absolute pressure/temperature sensor harness connector
EN08e	Battery positive terminal harness connector	EN35d	Electronic throttle body harness connector
EN11c	Engine compartment fuses and relays box (lug 1)	EN38c	Crankshaft position sensor harness connector
EN12c	Engine compartment fuses and relays box (lug 2)	EN40e	Knock sensor harness connector
EN13c	Generator (B+) harness connector	EN41c	Oil pressure sensor harness connector
EN14d	Generator harness connector	EN42c	Engine coolant temperature sensor harness connector
EN15c	Ignition coil 1 harness connector	EN45c	Exhaust relief solenoid valve harness connector
EN16c	Ignition coil 2 harness connector	EN51c	A/C compressor harness connector
EN17c	Ignition coil 3 harness connector	EN55e	Engine to instrument panel harness connector
EN18c	Ignition coil 4 harness connector	EN57e	Engine to engine compartment harness connector 1
EN19d	Engine to fuel injector harness connector	EN61e	To automatic transmission control valve assembly harness connector
EN20d	Fuel injector nozzle to engine harness connector	EN64c	Intake relief solenoid valve harness connector
EN21c	Fuel injector 1 harness connector	EN70c	Fuel rail pressure sensor harness connector
EN22c	Fuel injector 2 harness connector	EN71c	High-pressure oil pump harness connector
EN23c	Fuel injector 3 harness connector	EN72c	Venturi tube sensor harness connector
EN24c	Fuel injector 4 harness connector	EN90d	GPF temperature sensor harness connector
EN26d	Upstream oxygen sensor harness connector	EN97c	GPF pressure difference sensor harness connector
EN27f	Downstream oxygen sensor harness connector	EN98c	Low - voltage circuit sensors harness connector
EN28d	Intake VVT solenoid harness connector	EN102c	Qu Tong conductive tube harness connector
EN29d	Exhaust VVT solenoid harness connector	EN122c	Air-conditioning pressure sensor harness connector

---

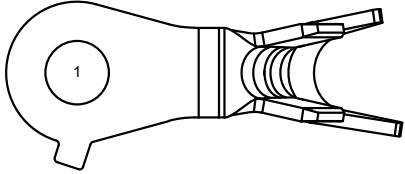
Harness connector	Name	Harness connector	Name
EN30c	Intake camshaft position sensor harness connector	EN125c	Battery sensor harness connector
EN31c	Exhaust camshaft position sensor harness connector	-	-

Engine harness terminals defined-JLE\_4G18TD

EN01d Engine control module 1 harness connector			
NL13-5478a			
1	Electronic throttle motor control +	2	Electronic throttle motor control -
3	High-pressure oil pump -	4	High-pressure oil pump +
5	Exhaust side VVT solenoid -	6	Fuel rail pressure/ Intake air pressure temperature/Venturi pipe pressure sensor grounding
7	CKP sensor 5V power supply ( sensor and motor )	8	Electronic throttle sensor 5V power supply ( sensor and motor )
9	-	10	KS -
11	Intake air temperature sensor signal	12	Intake pressure sensor signal
13	-	14	Fuel rail pressure sensor signal
15	-	16	-
17	-	18	Canister control Valve -
19	Intake relief solenoid valve -	20	Intake side VVT solenoid -
21	-	22	-
23	Crankshaft Position Sensor (CKP) signal	24	Electronic throttle position signal 1
25	KS +	26	Camshaft position sensor grounding

27	Camshaft position sensor 5V power supply	28	Crankshaft Position Sensor (CKP) grounding
29	-	30	-
31	Fuel injector 1 +	32	Fuel injector 4 +
33	Fuel injector 1 -	34	Fuel injector 3 -
35	-	36	GPF pressure difference sensor signal
37	Cylinder 1 ignition signal	38	Cylinder 3 ignition signal
39	Cylinder 4 ignition signal	40	Cylinder 2 ignition signal
41	Electronic throttle position sensor signal 2	42	-
43	GPF temperature/ Engine coolant temperature sensor grounding	44	Fuel rail pressure/ Intake air pressure temperature/Venturi pipe pressure sensor 5V power supply
45	-	46	Fuel injector 3 +
47	Fuel injector 2 +	48	Fuel injector 4 -
49	Fuel injector 2 -	50	-
51	Electronic throttle Sensor grounding	52	-
53	Intake camshaft position sensor signal	54	Exhaust camshaft position sensor (CMP) signal
55	-	56	GPF temperature sensor +
57	Engine coolant temperature sensor +	58	-
59	-	60	-

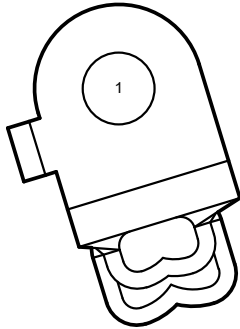
EN03c Starter motor (B+) harness connector



NL13-5551a

1	B+ power supply	-	-
---	-----------------	---	---

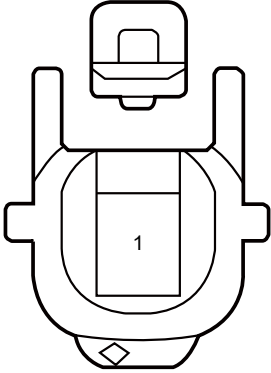
EN11c Engine compartment fuses and relays box (lug 1)



NL13-5552a

1	B+ power supply	-	-
---	-----------------	---	---

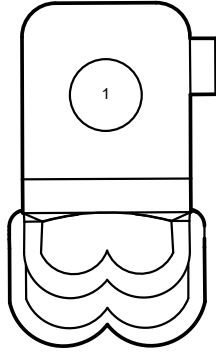
EN04c Starter solenoid valve harness connector



NL13-5480a

1	Starter excitation control signal	-	-
---	-----------------------------------	---	---

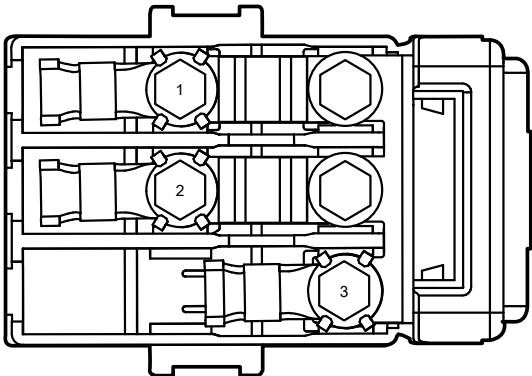
EN12c Engine compartment fuses and relays box (lug 2)



NL13-5553a

1	ALT power supply	-	-
---	------------------	---	---

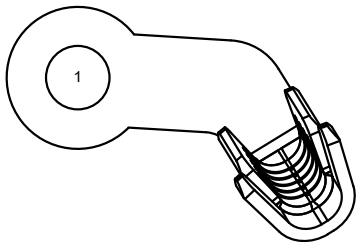
EN08e Battery positive terminal harness connector



NL13-5481a

1	B+ power supply	2	-
3	B+ power supply	-	-

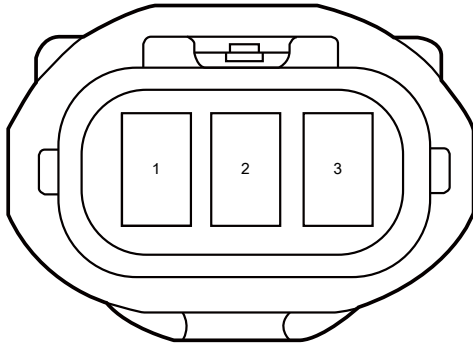
EN13c Generator (B+) harness connector



NL13-5554a

1	Generator power supply	-	-
---	------------------------	---	---

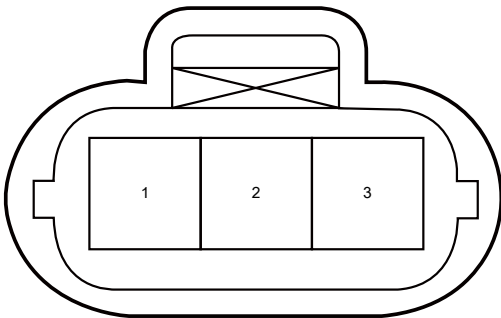
EN14d Generator harness connector



NL13-5485a

1	LIN	2	-
3	-	-	-

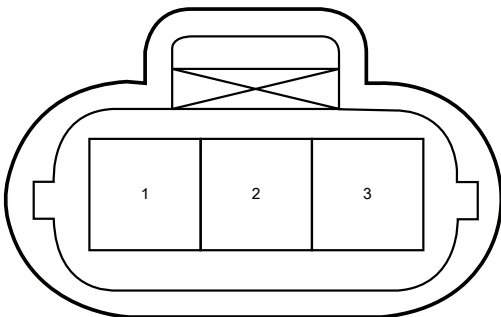
EN15c Ignition coil 1 harness connector



NL13-5486a

1	Power supply	2	Ignition signal
3	Grounding	-	-

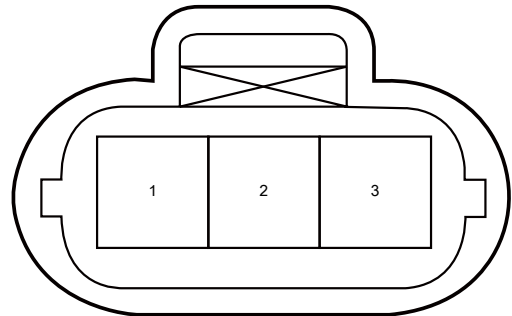
EN16c Ignition coil 2 harness connector



NL13-5487a

1	Power supply	2	Ignition signal
3	Grounding	-	-

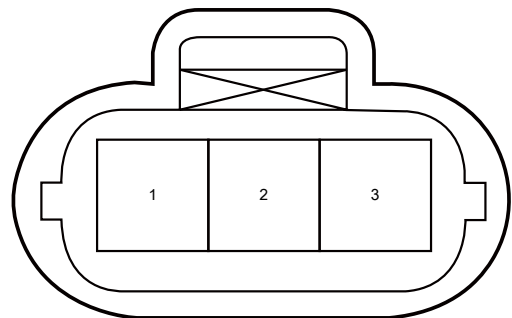
EN17c Ignition coil 3 harness connector



NL13-5488a

1	Power supply	2	Ignition signal
3	Grounding	-	-

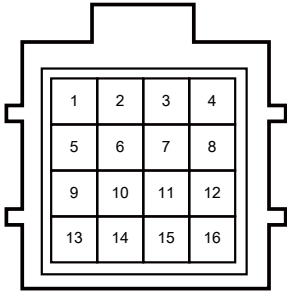
EN18c Ignition coil 4 harness connector



NL13-5489a

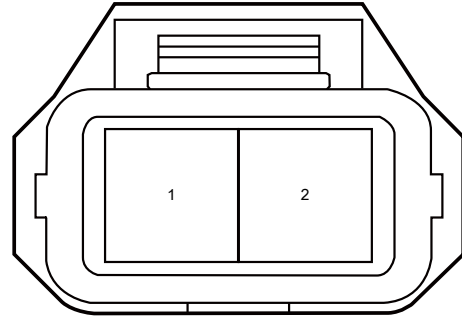
1	Power supply	2	Ignition signal
3	Grounding	-	-

EN19d Engine to fuel injector harness connector



NL13-5490a

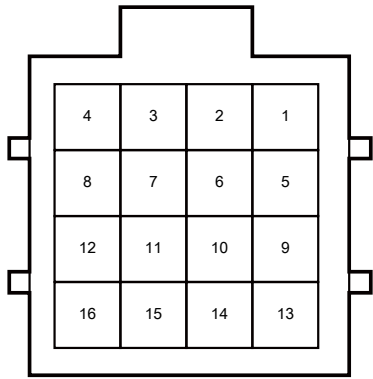
EN22c Fuel injector 2 harness connector



NL13-5493a

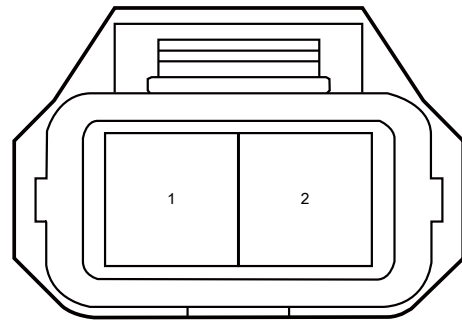
1	Fuel injector -	2	Fuel injector +
---	-----------------	---	-----------------

EN20d Fuel injector nozzle to engine harness connector



NL13-5491a

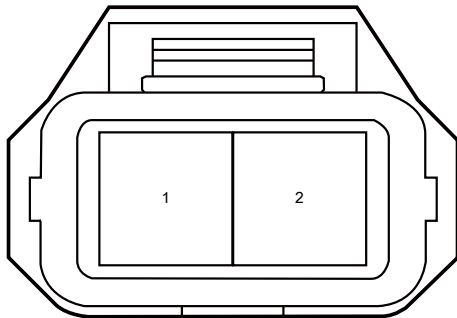
EN23c Fuel injector 3 harness connector



NL13-5494a

1	Fuel injector -	2	Fuel injector +
---	-----------------	---	-----------------

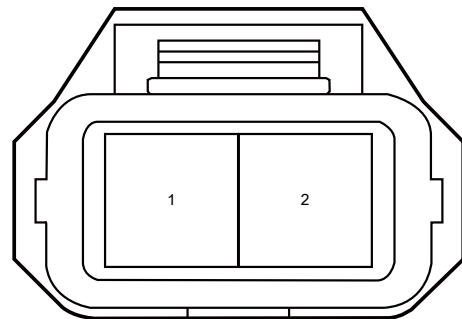
EN21c Fuel injector 1 harness connector



NL13-5492a

1	Fuel injector -	2	Fuel injector +
---	-----------------	---	-----------------

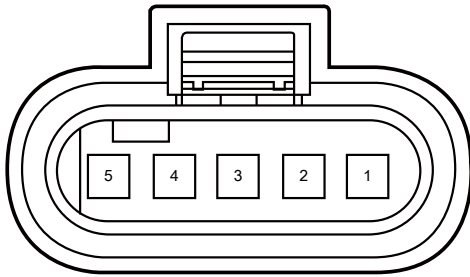
EN24c Fuel injector 4 harness connector



NL13-5495a

1	Fuel injector -	2	Fuel injector +
---	-----------------	---	-----------------

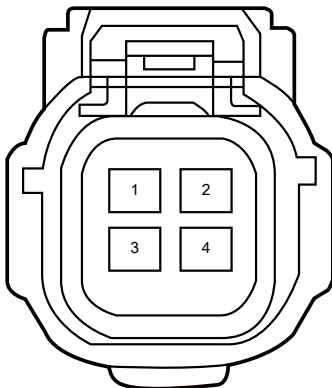
EN26d Upstream oxygen sensor harness connector



NL13-5496a

1	Sensor signal	2	sensor grounding
3	Heating grounding	4	Heating power supply
5	Sensor power supply	-	-

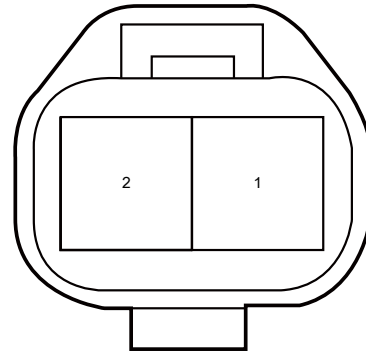
EN27f Downstream oxygen sensor harness connector



NL13-5498a

1	Heating power supply	2	sensor grounding
3	Heating grounding	4	Sensor power supply

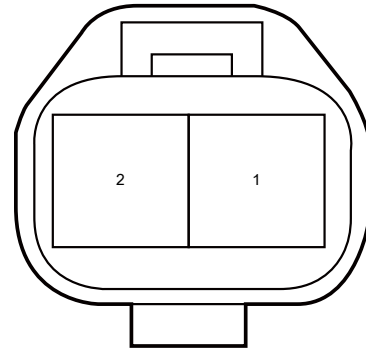
EN28d Intake VVT solenoid harness connector



NL13-5499a

1	Solenoid valve +	2	Solenoid valve -
---	------------------	---	------------------

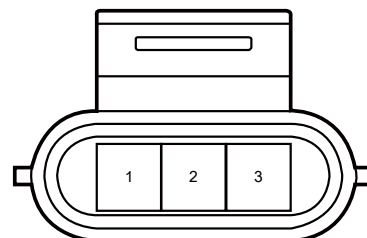
EN29d Exhaust VVT solenoid harness connector



NL13-5500a

1	Solenoid valve +	2	Solenoid valve -
---	------------------	---	------------------

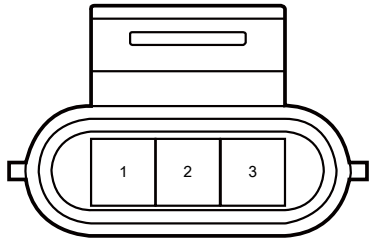
EN30c Intake camshaft position sensor harness connector



NL13-5501a

1	Sensor grounding	2	Sensor signal
3	5V power supply ( sensor and motor ) ( sensor and motor )	-	-

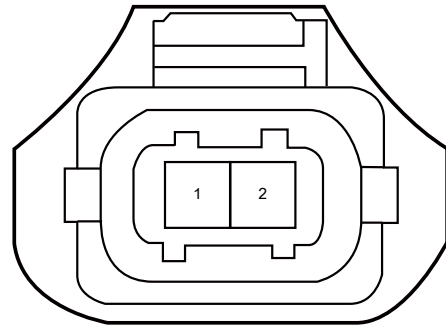
EN31c Exhaust camshaft position sensor harness connector



NL13-5502a

1	Sensor grounding	2	Sensor signal
3	5V power supply ( sensor and motor ) ( sensor and motor )	-	-

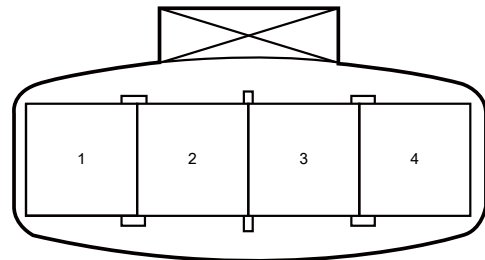
EN33c Evaporative emission canister solenoid valve harness connector



NL13-5504a

1	Solenoid valve -	2	Solenoid valve +
---	------------------	---	------------------

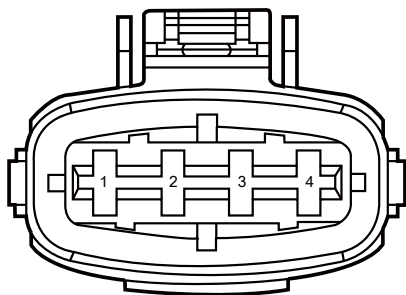
EN34c Manifold absolute pressure/temperature sensor harness connector



NL13-5505a

1	Sensor grounding	2	Temperature signal
3	5V power supply ( sensor and motor ) ( sensor and motor )	4	Pressure signal

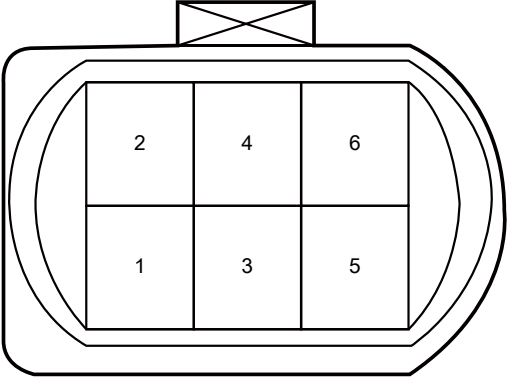
EN32d Pressurized pressure temperature sensor harness connector



NL13-5503a

1	Sensor grounding	2	Temperature signal
3	5V power supply ( sensor and motor ) ( sensor and motor )	4	Pressure signal

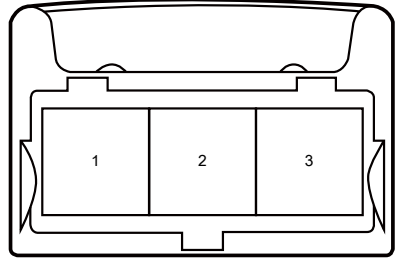
EN35d Electronic throttle body harness connector



NL13-5506a

1	Potential signal 2	2	5V power supply (sensor and motor)
3	Motor control +	4	Potential signal 1
5	Motor control -	6	sensor grounding

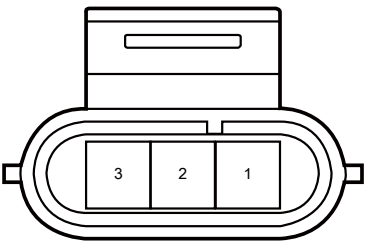
EN40e Knock sensor harness connector



NL13-5508a

1	Sensor +	2	Sensor -
3	-	-	-

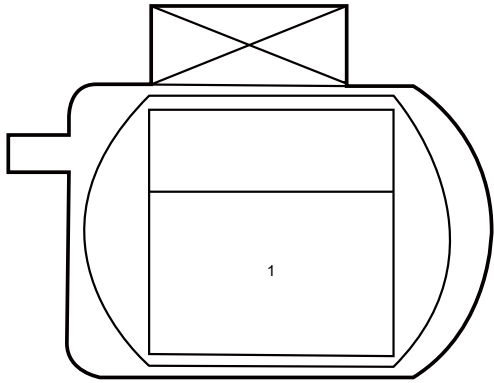
EN38c Crankshaft position sensor harness connector



NL13-5507a

1	5V power supply (sensor and motor)	2	Sensor signal
3	Sensor grounding	-	-

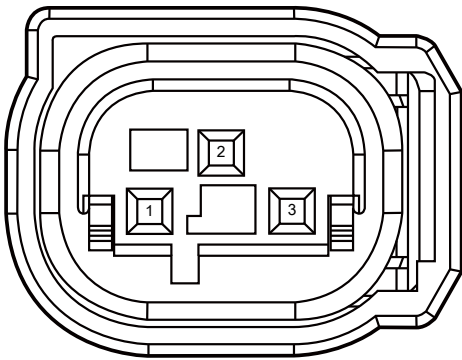
EN41c Oil pressure sensor harness connector



NL13-5509a

1	Sensor signal	-	-
---	---------------	---	---

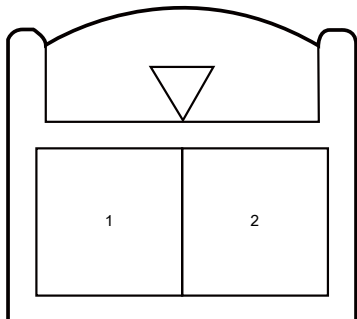
EN42c Engine coolant temperature sensor harness connector



NL13-5510a

1	Sensor -	2	-
3	Sensor +	-	-

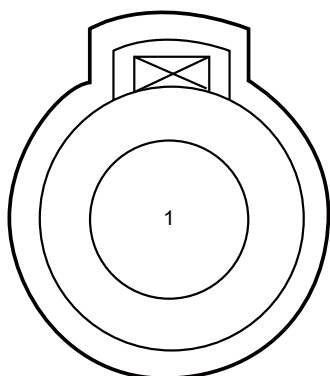
EN45c Exhaust relief solenoid valve harness connector



NL13-5511a

1	Solenoid valve +	2	Solenoid valve -
---	------------------	---	------------------

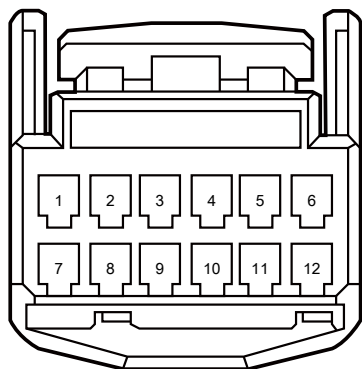
EN51c A/C compressor harness connector



NL13-5512a

1	Power supply	-	-
---	--------------	---	---

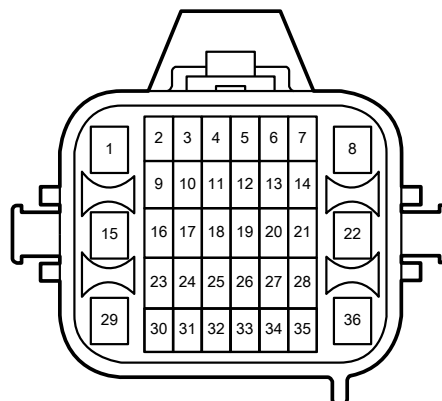
EN55e Engine to Instrument panel harness connector



NL13-5513a

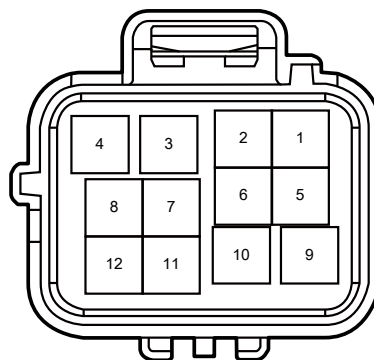
1	PT CAN-H	2	PT CAN-L
3	-	4	-
5	-	6	-
7	Oil pressure sensor signal	8	-
9	-	10	-
11	-	12	-

EN57e Engine to engine compartment harness connector 1



NL13-5514a

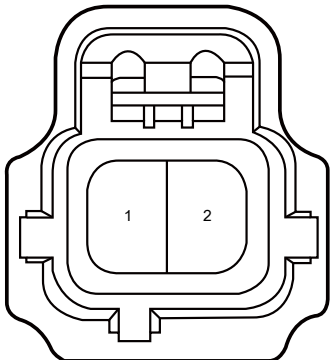
EN61e To automatic transmission control valve assembly harness connector



NL13-5515a

1	-	2	IG1 power supply
3	B+ power supply	4	B+ power supply
5	-	6	-
7	PT CAN-H	8	PT CAN-L
9	B+ power supply	10	B+ power supply
11	-	12	-

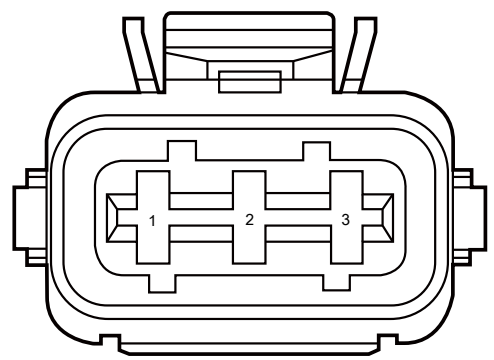
EN64c Intake relief solenoid valve harness connector



NL13-5516a

1	Solenoid valve +	2	Solenoid valve -
---	------------------	---	------------------

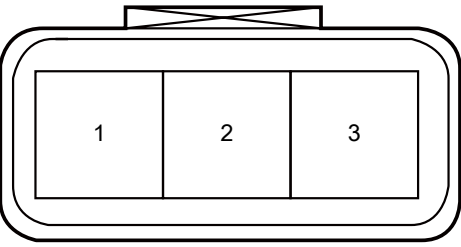
EN72c Venturi tube sensor harness connector



NL13-5519a

1	5V power supply	2	Sensor grounding
3	Pressure signal	-	-

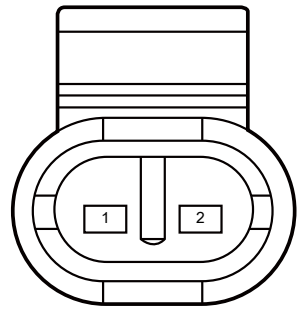
EN70c Fuel rail pressure sensor harness connector



NL13-5517a

1	Sensor grounding	2	Sensor signal
3	5V power supply	-	-

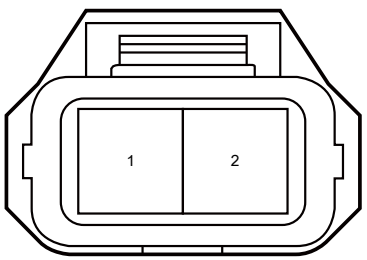
EN90d GPF temperature sensor harness connector



NL13-5520a

1	Sensor +	2	Sensor -
---	----------	---	----------

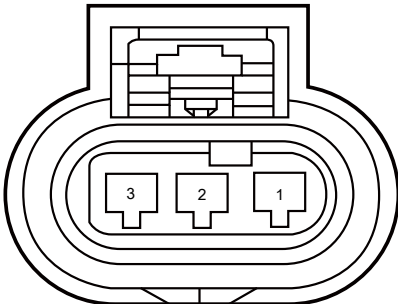
EN71c High-pressure oil pump harness connector



NL13-5518a

1	High-pressure oil pump +	2	High-pressure oil pump -
---	--------------------------	---	--------------------------

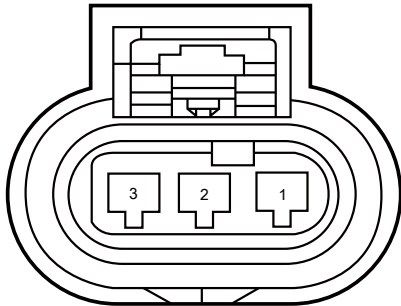
EN97c GPF pressure difference sensor harness connector



NL13-5521a

1	Sensor signal	2	Sensor grounding
3	5V power supply	-	-

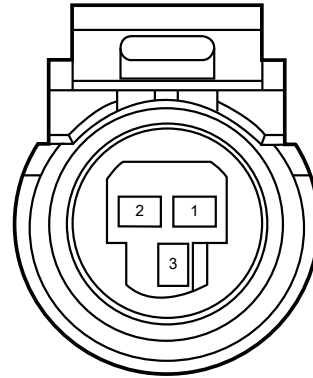
EN98c Low-voltage circuit sensors harness connector



NL13-5522a

1	5V power supply	2	Sensor signal
3	Sensor grounding	-	-

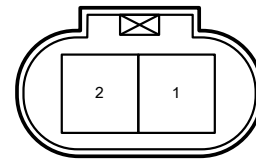
EN122c Air-conditioning pressure sensor harness connector



NL13-5524a

1	Sensor grounding	2	5V power supply
3	Sensor signal	-	-

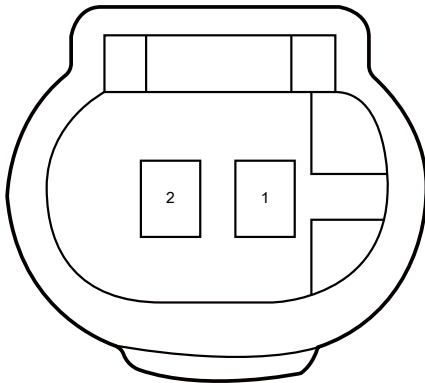
EN125c Battery sensor harness connector



NL13-5525a

1	LIN	2	B+ power supply
---	-----	---	-----------------

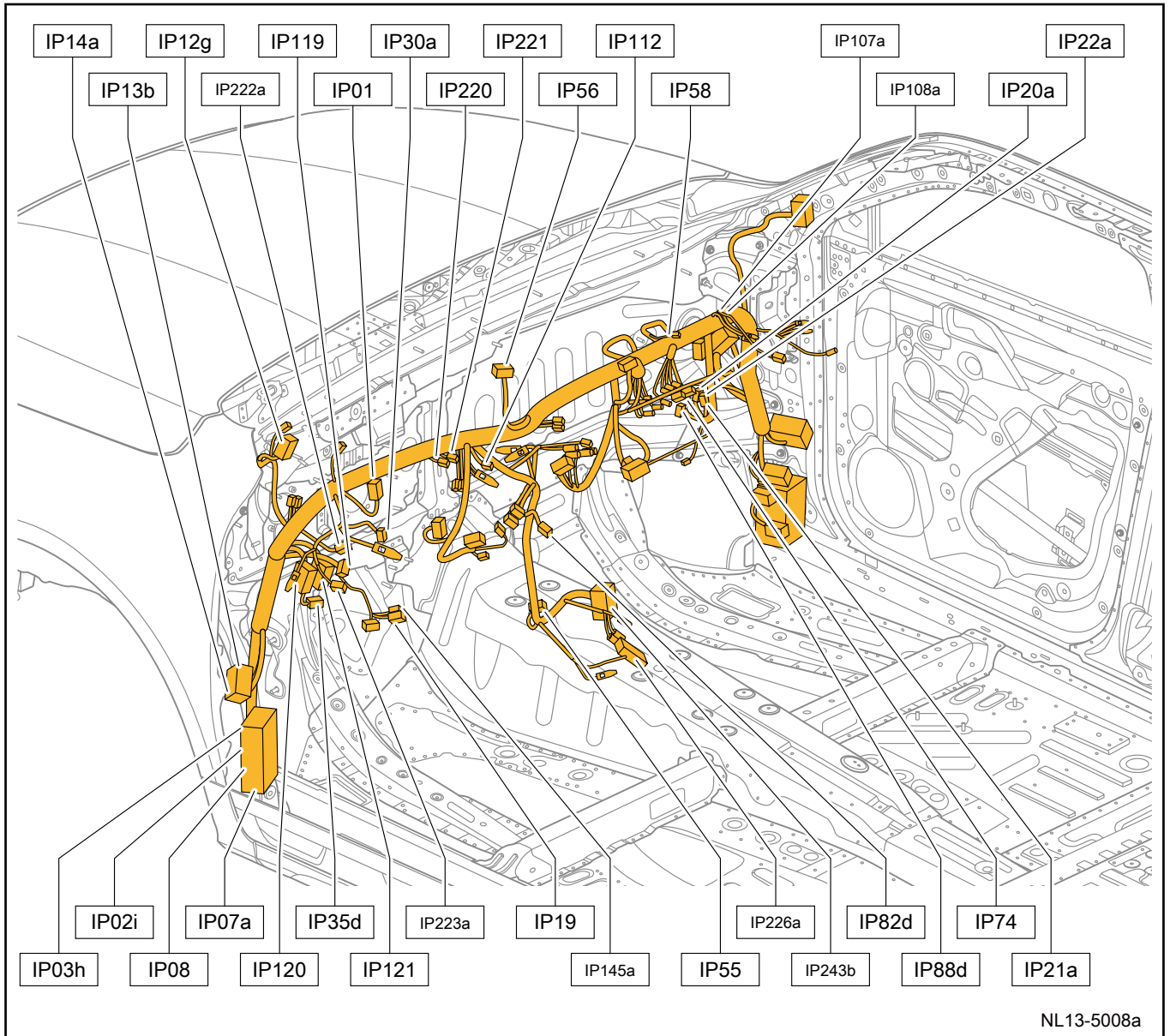
EN102c Qu Tong conductive tube harness connector



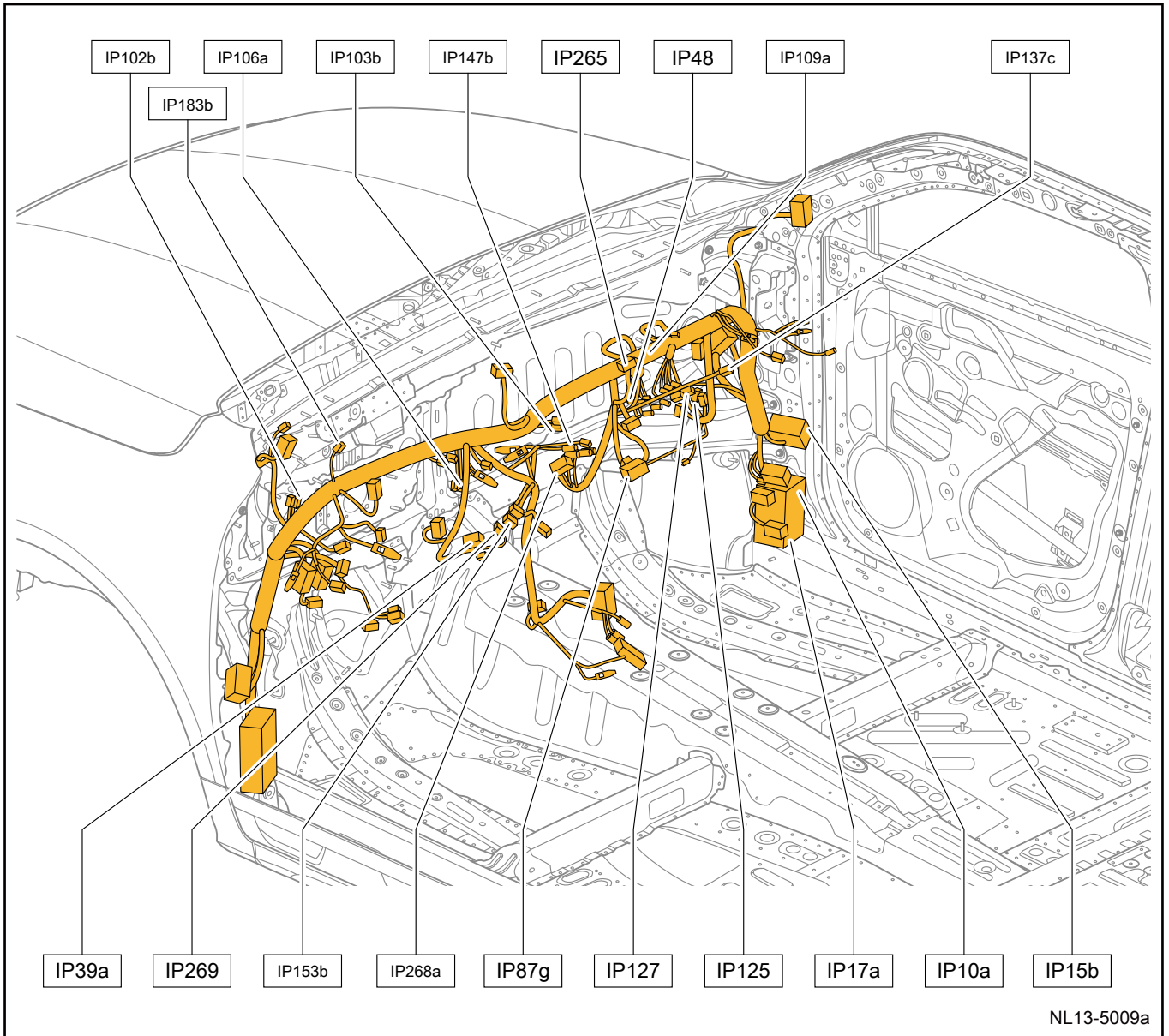
NL13-5523a

1	Triton conductive tube +	2	Triton conductive tube -
---	--------------------------	---	--------------------------

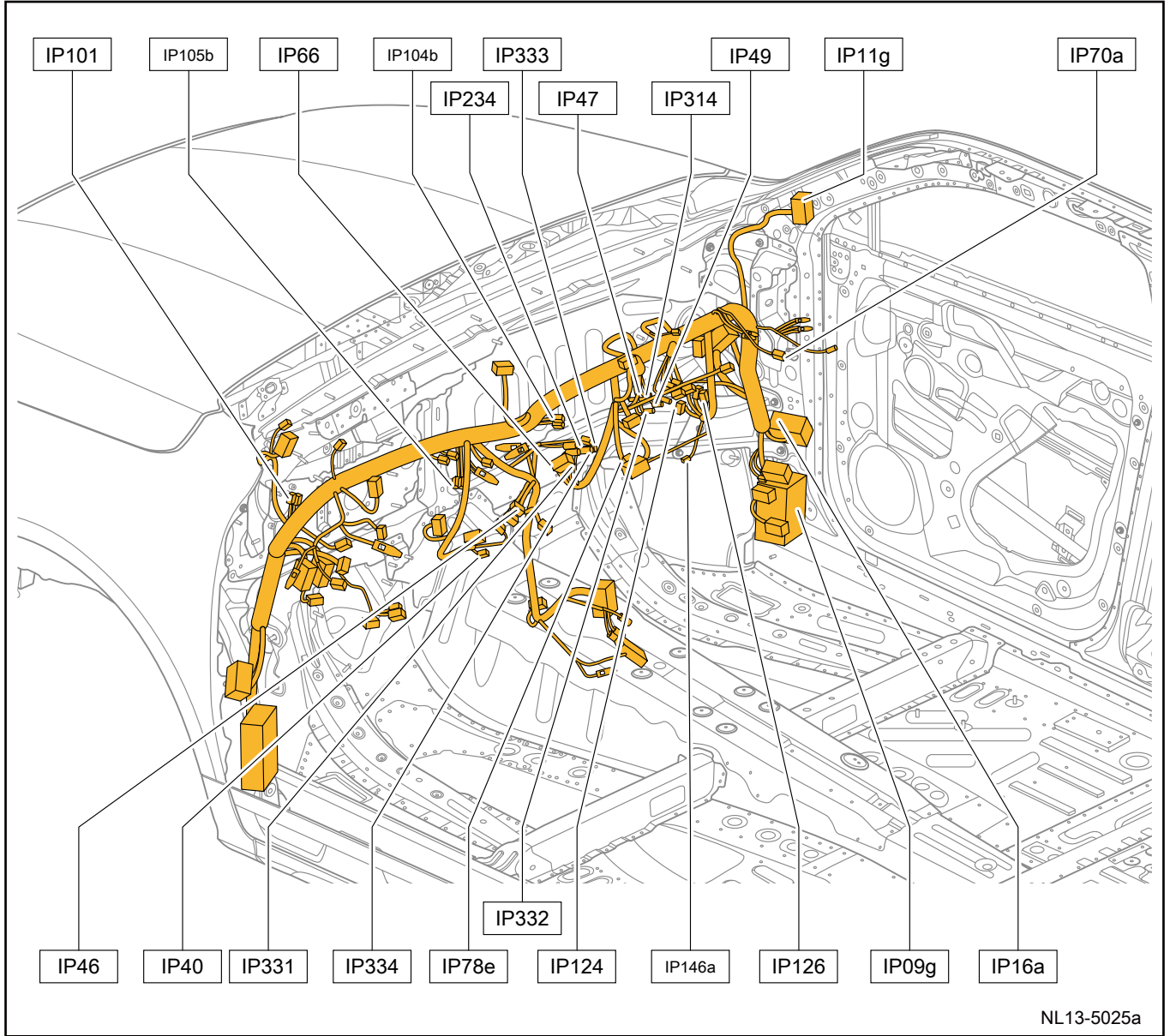
Layout of Instrument panel Harness



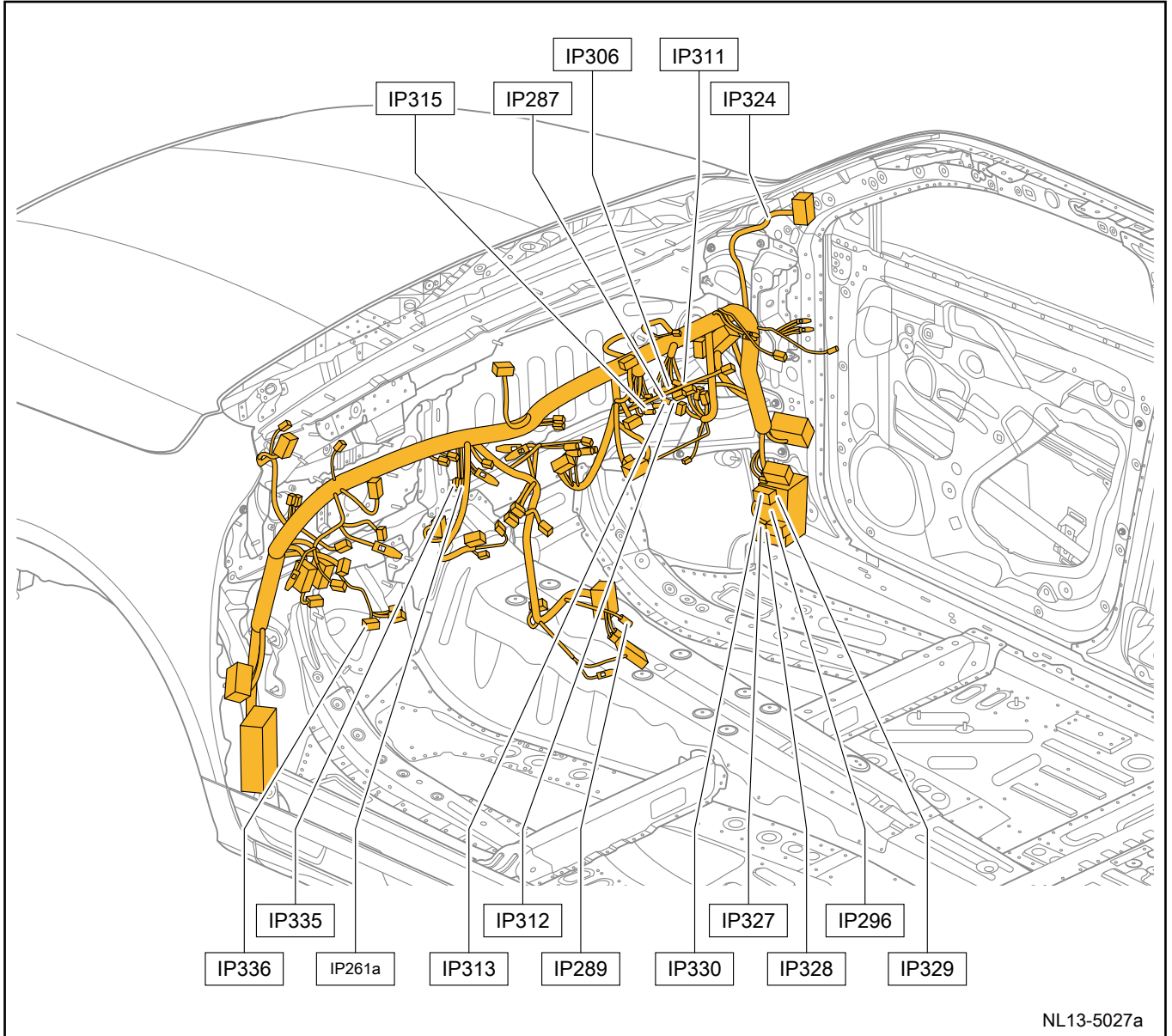
Layout of Instrument panel Harness ( Part 1 )



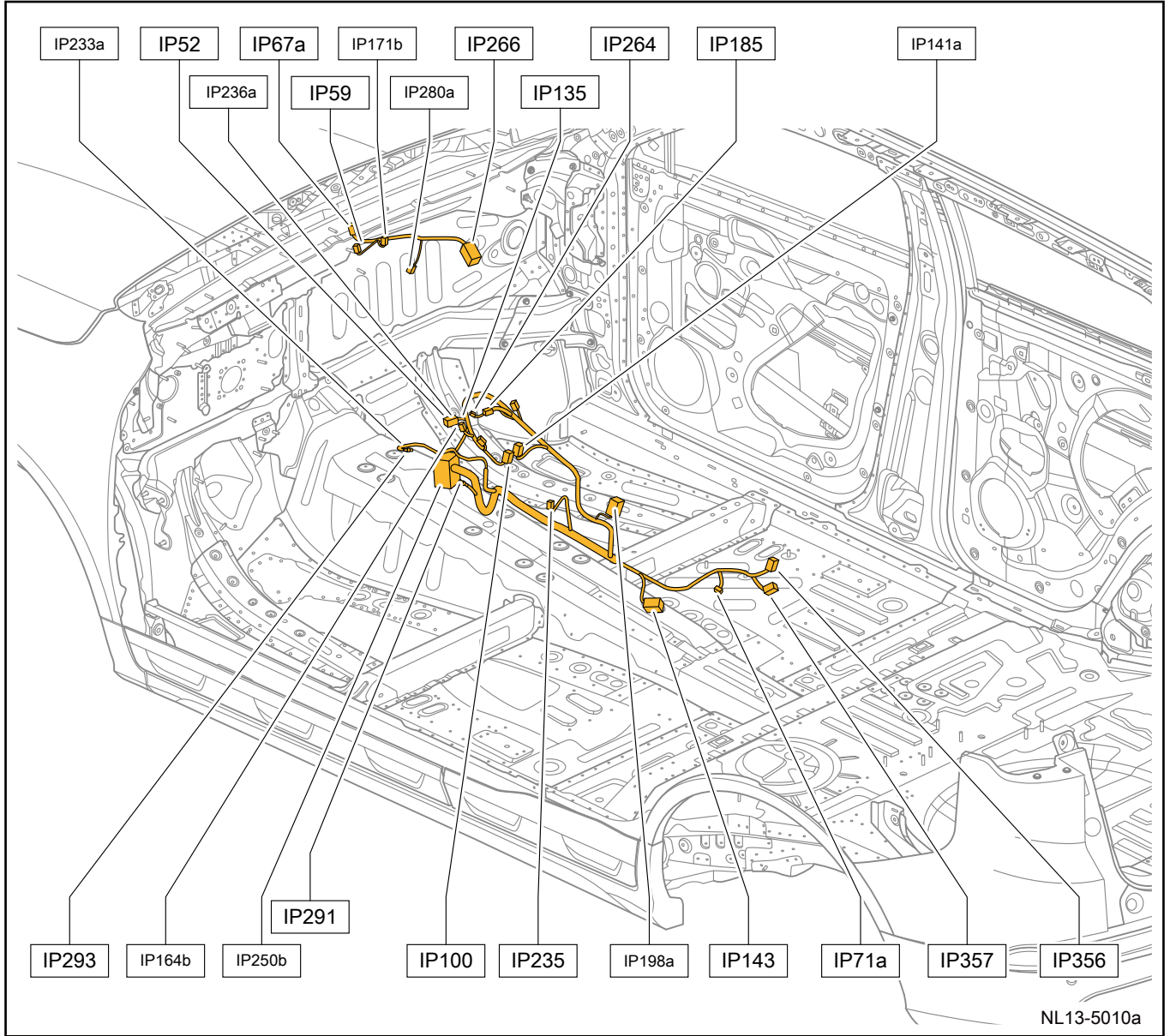
Layout of Instrument panel Harness ( Part 2 )



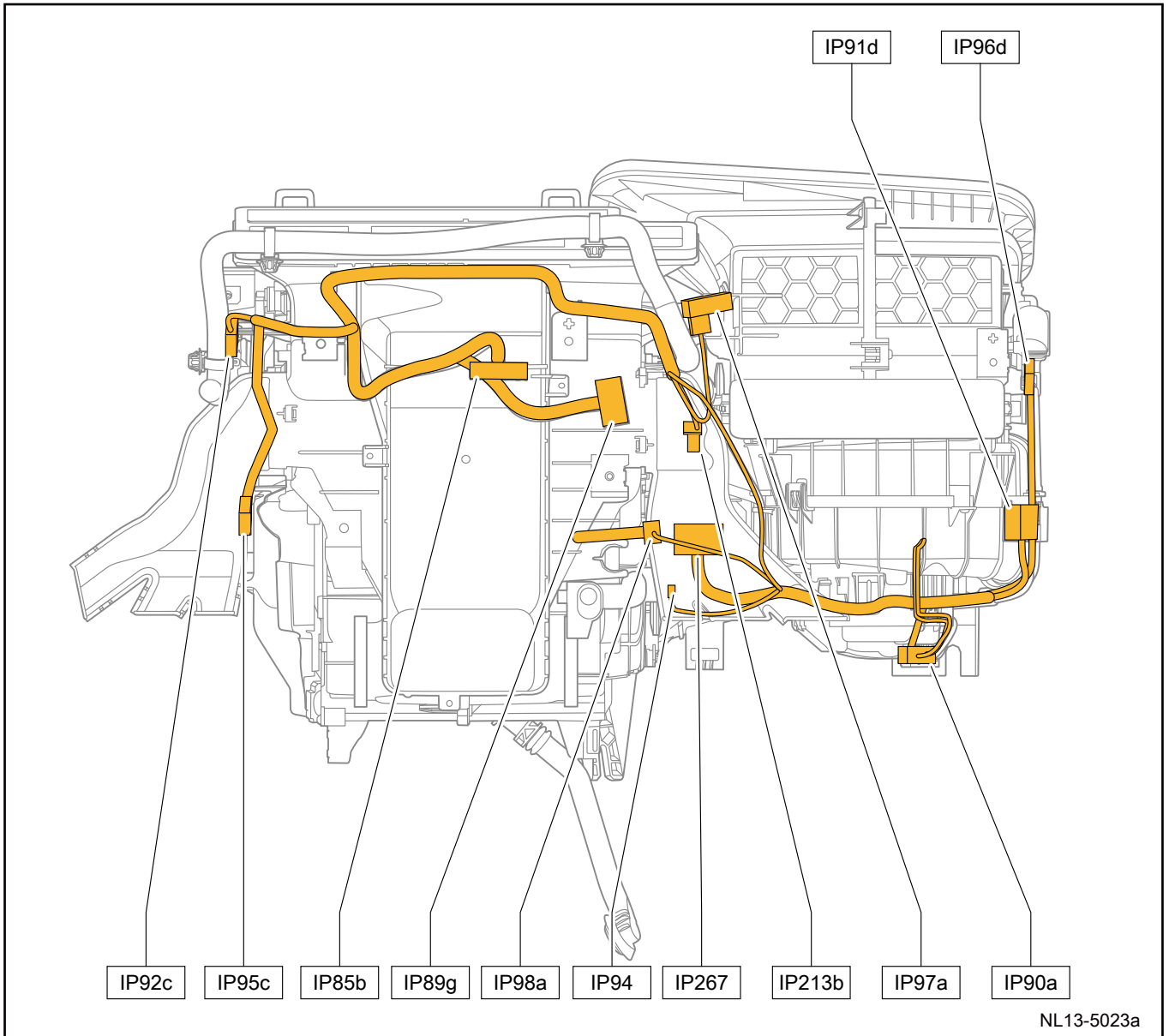
Layout of Instrument panel Harness ( Part 3 )



Layout of Instrument panel Harness ( Part 4 )



Layout of Instrument panel Harness ( Part 5 )



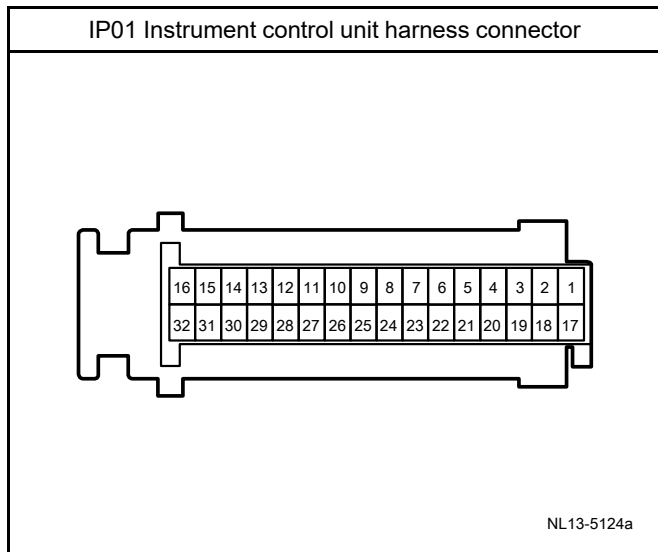
## List of Instrument panel harness Connector

Harness connector	Name	Harness connector	Name
IP01	Instrument control unit harness connector	IP112	Gateway harness connector
IP02i	Instrument panel to engine compartment harness connector 1	IP119	Intelligent electrical junction boxes harness connector E
IP03h	Instrument panel to engine compartment harness connector 2	IP120	Intelligent electrical junction boxes harness connector F
IP07a	Instrument panel to floor harness connector 1	IP121	Intelligent electrical junction boxes harness connector G
IP08	Instrument panel to floor harness connector 2	IP124	Passive entry passive start control module harness connector 1
IP09g	Instrument panel to floor harness connector 3	IP125	Passive entry passive start control module harness connector 2
IP10a	Instrument panel to floor harness connector 4	IP126	Passive entry passive start control module harness connector 3
IP11g	Instrument panel to roof harness connector 1	IP127	Passive entry passive start control module harness connector 4
IP12g	Instrument panel to roof harness connector 2	IP135	Wireless charging module harness connector
IP13b	Instrument panel to driver side door harness connector 1	IP137c	Passenger side ambient light harness connector
IP14a	Instrument panel to driver side door harness connector 2	IP141a	EPB switch harness connector
IP15b	Instrument panel to passenger side door harness connector 1	IP143	Standby antenna harness connector
IP16a	Instrument panel to passenger side door harness connector 2	IP145a	Driver side footwell light harness connector
IP17a	Instrument panel to engine harness connector	IP146a	Passenger side footwell light harness connector
IP19	Data link connector harness connector	IP147b	Display harness connector
IP20a	Body control module harness connector 1	IP153b	Cabin air temperature sensor harness connector
IP21a	Body control module harness connector 2	IP164b	Deputy instrument switch harness connectors
IP22a	Body control module harness connector 3	IP171b	Center speaker harness connector
IP30a	Headlight adjustment control switch harness connector	IP183b	Head-up display harness connector
IP35d	Electrical power steering control module harness connector	IP185	Transmission shift lever switch harness connector
IP39a	Clock spring harness connector A	IP198a	Saucer harness connector
IP40	Clock spring harness connector B	IP213b	Right air mix temperature actuator harness connector
IP46	Start/Stop button harness connector	IP220	JC31 harness connector
IP47	Multimedia harness connector A	IP221	JC32 harness connector

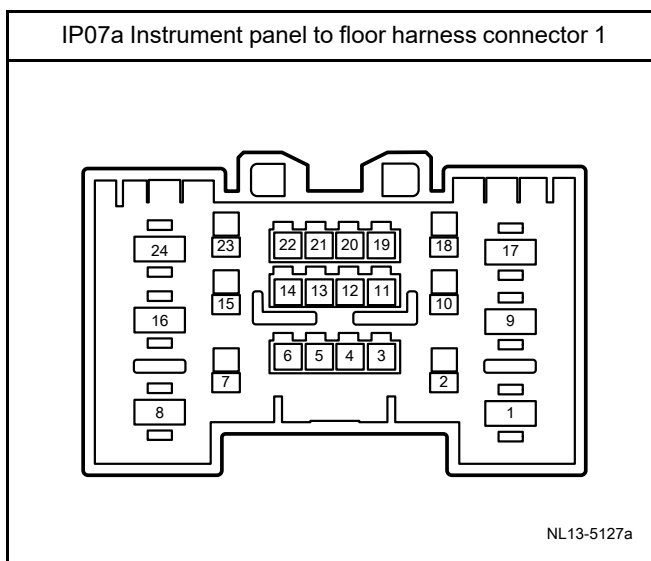
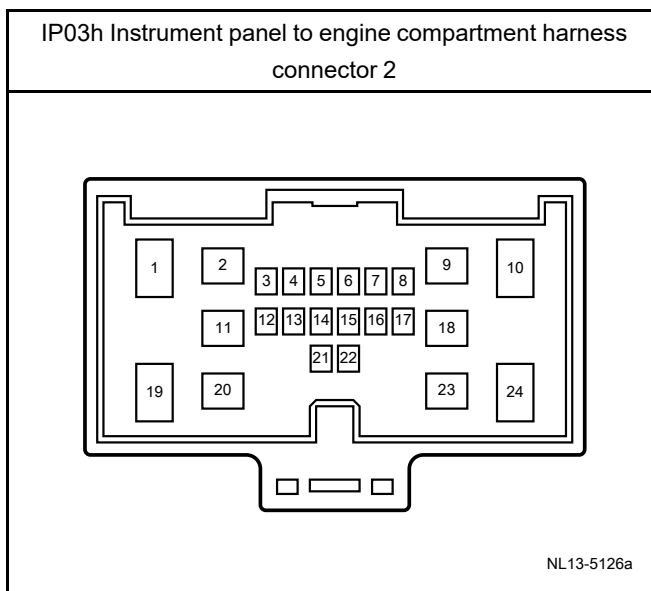
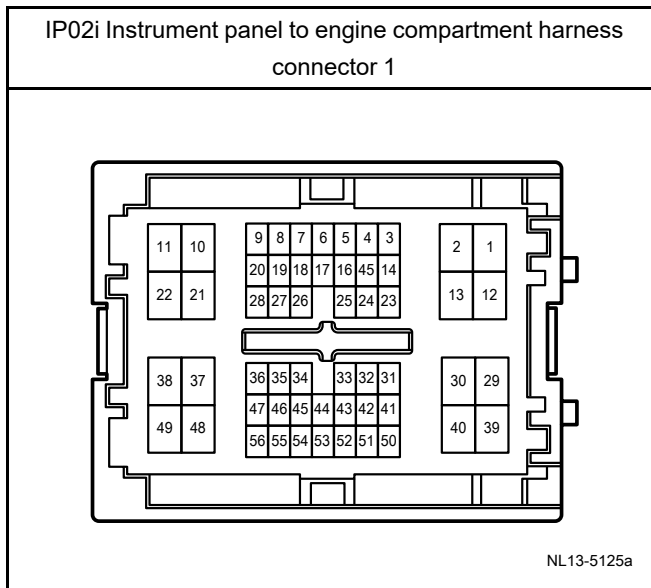
Harness connector	Name	Harness connector	Name
IP48	Multimedia harness connector B	IP222a	JC33 harness connector
IP49	Multimedia harness connector C	IP223a	JC34 harness connector
IP52	Center antenna harness connector	IP226a	JC37 harness connector
IP55	ACU harness connector B	IP233a	Driver side USB harness connector
IP56	Hazard warning switch harness connector	IP235	Blue launch harness connector
IP58	Passenger airbag harness connector	IP236a	Passenger side USB harness connector
IP59	Ambient light and solar radiation sensor harness connector	IP243b	Instrument panel to Instrument-wire harness connector
IP66	Telematics BOX harness connector	IP250b	Instrument-wire to Instrument panel harness connector
IP67a	Mediant speaker harness connector	IP261a	Instrument control unit harness connector 2
IP70a	Glove compartment light harness connector	IP264	Deputy instrument panel lights harness connector
IP71a	USB power outlet harness connector	IP265	Instrument panel to solar radiation sensor harness connector
IP74	Glove compartment light switch harness connector	IP266	Solar radiation sensor to instrument panel harness connector
IP78e	Air-conditioning panel switch harness connector	IP267	Blower motor controller harness connector
IP82d	Accessory power outlet harness connector	IP268a	E-CALL harness connector
IP85b	Auto HVAC control unit harness connector	IP269	Heated steering wheel harness connector
IP87g	Instrument panel to Auto HVAC harness connector A	IP280a	E-CALL speaker harness connector
IP88d	Instrument panel to Auto HVAC harness connector B	IP296	Instrument panel to floor 360 degrees camera harness connector
IP89g	Auto HVAC to instrument panel harness connector A	IP306	Sensus harness connector 1
IP90a	Blower motor harness connector	IP311	Sensus harness connector 6
IP91d	Airflow mode actuator harness connector	IP312	Sensus harness connector 7
IP92c	Mode actuator harness connector	IP313	Sensus harness connector 8
IP94	Evaporator temperature sensor harness connector	IP314	Sensus harness connector 9
IP95c	Left air mix temperature actuator harness connector	IP315	Sensus harness connector 10
IP96d	Auto HVAC to instrument panel harness connector B	IP324	Instrument panel to roof dashboard camera harness connector
IP97a	Air quality management system harness connector	IP327	Instrument panel to floor antenna harness connector 3
IP98a	ION control unit harness connector	IP328	Instrument panel to floor antenna harness connector 4

Harness connector	Name	Harness connector	Name
IP100	Driving mode switch harness connector	IP329	Instrument panel to floor antenna harness connector 5
IP101	JC01 harness connector	IP330	Instrument panel to floor antenna harness connector 6
IP102b	JC02 harness connector	IP331	Telematics BOX harness connector 2
IP103b	JC03 harness connector	IP332	Telematics BOX harness connector 3
IP104b	JC04 harness connector	IP333	Telematics BOX harness connector 4
IP105b	JC05 harness connector	IP334	Telematics BOX harness connector 5
IP106a	JC06 harness connector	IP335	Instrument control unit USB harness connector
IP107a	JC07 harness connector	IP336	Data link connector USB harness connector
IP108a	JC08 harness connector	IP356	Right rear heated seat switch harness connector
IP109a	JC09 harness connector	IP357	Left rear heated seat switch harness connector
IP110a	JC10 harness connector	-	-

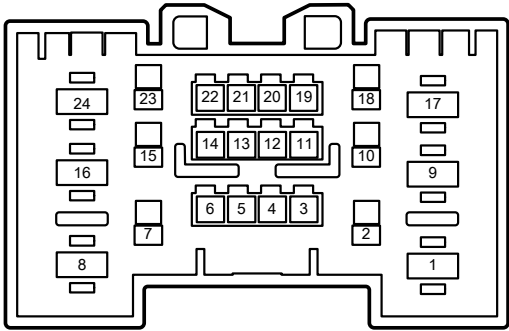
Instrument panel harness terminals defined



1	-	2	-
3	-	4	-
5	-	6	-
7	-	8	Front passenger side airbag opening LED
9	Front passenger side airbag closing LED	10	-
11	Brake fluid level sensor +	12	Automatic parking work LED
13	-	14	Oil pressure signal
15	Fuel level sensor signals -	16	Grounding
17	-	18	-
19	-	20	-
21	-	22	-
23	-	24	IG1 power supply
25	Department of rear seat belts are not prompted	26	Backlighting power supply
27	-	28	-
29	Fuel level sensor signals +	30	IF CAN-H
31	IF CAN-L	32	B+ power supply

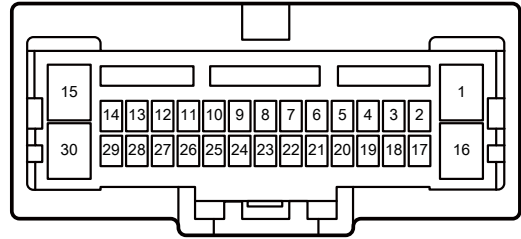


IP08 Instrument panel to floor harness connector 2



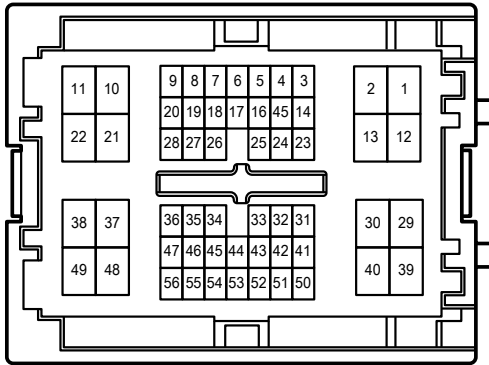
NL13-5128a

IP11g Instrument panel to roof harness connector 1



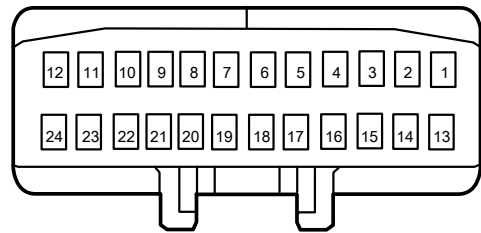
NL13-5131a

IP09g Instrument panel to floor harness connector 3



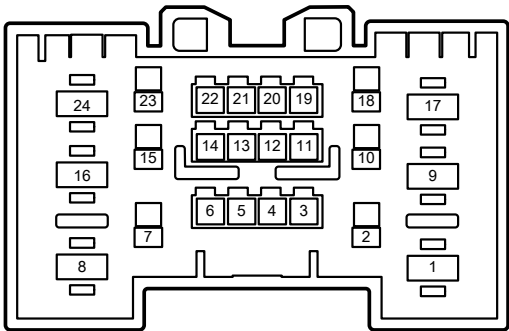
NL13-5129a

IP12g Instrument panel to roof harness connector 2



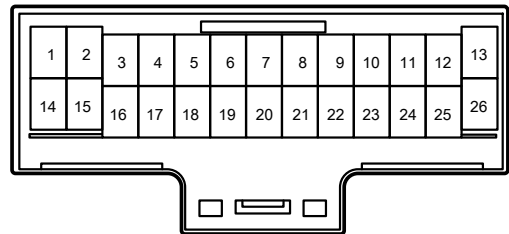
NL13-5132a

IP10a Instrument panel to floor harness connector 4



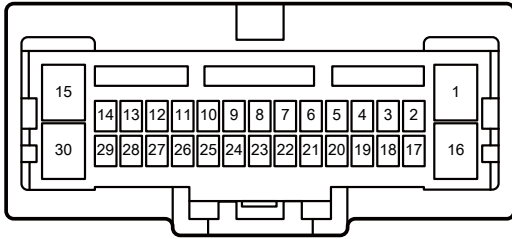
NL13-5130a

IP13b Instrument panel to driver side door harness connector 1



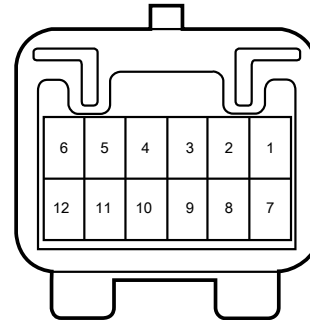
NL13-5133a

IP14a Instrument panel to driver side door harness connector 2



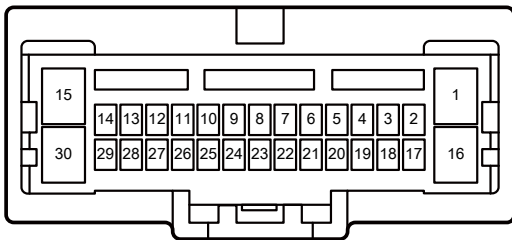
NL13-5134a

IP17a Instrument panel to engine harness connector



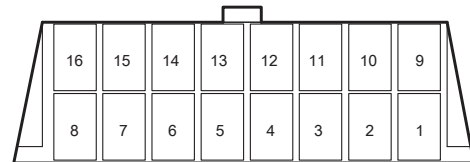
NL13-5137a

IP15b Instrument panel to passenger side door harness connector 1



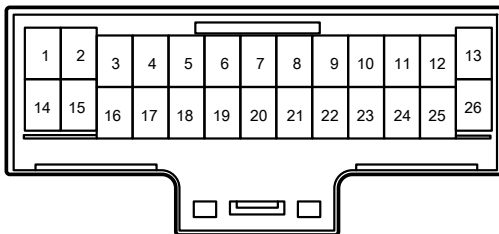
NL13-5135a

IP19 Data link connector harness connector



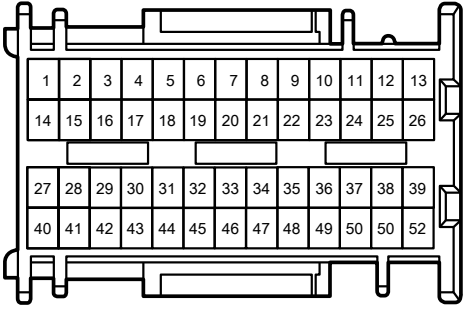
NL13-5138a

IP16a Instrument panel to passenger side door harness connector 2

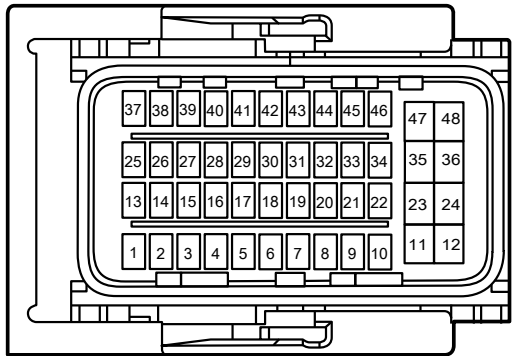


NL13-5136a

1	-	2	-
3	-	4	Grounding
5	Grounding	6	IF CAN-H
7	-	8	-
9	-	10	-
11	-	12	-
13	-	14	IF CAN-L
15	-	16	B+ power supply

IP20a Body control module harness connector 1			
			
NL13-5139a			
1	-	2	-
3	Front passenger glass lift signal	4	-
5	Ambient light sensor signal	6	Cruise control switch signal 1
7	-	8	IG1 power supply
9	Hazard warning light switch signal	10	Turn signal fault feedback (body side right rear combination lamp)
11	Central lock switch status indicator LED	12	Hazard warning light LED
13	Turn signal fault feedback (right front headlight)	14	-
15	-	16	Front wiper low speed switch signal
17	-	18	-
19	-	20	-
21	Right rear door lock motor feedback signal	22	-
23	Left rear glass lift signal	24	Turn signal fault feedback (trunk door side left rear combination lamp)
25	Switch common grounding	26	Brake light fault detection input (trunk door side right rear combination lamp)

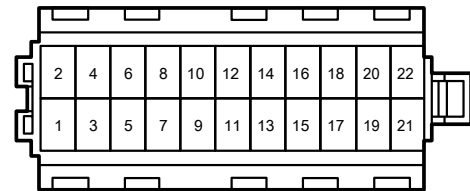
27	Daytime Running Light signal output	28	Front passenger side exterior rearview mirror LOGO light -
29	-	30	Exterior rearview mirror folding switch
31	Left rear door lock motor feedback signal	32	Economy/sport gear input signal 1
33	Economy/sport gear input signal 2	34	-
35	Electronic parking work LED signal output	36	-
37	Brake light fault detection input (trunk door side right rear combination lamp)	38	Turn signal fault feedback (body side left rear combination lamp)
39	-	40	Low beam fault feedback signal
41	CF CAN-L	42	CF CAN-H
43	-	44	-
45	Cruise control switch signal 2	46	Right rear glass lift signal
47	Front passenger door lock motor feedback signal	48	-
49	Steering wheel heating signal	50	Economy/sport gear input signal 3
51	Anti-theft indicator	52	-

IP21a Body control module harness connector 2			
			
NL13-5140a			

1	Left rear door gating switch signal	2	Right rear door gating switch signal
3	Engine compartment contact switch signal	4	Window lock switch signal
5	Trunk door internal opening switch signal	6	-
7	Driver door lock motor switch signal	8	-
9	Start relay 2 control	10	Window lock switch LED grounding
11	Backlighting signal output	12	Reading light door-controlled gear
13	Brake light switch signal	14	-
15	Driver side exterior rearview mirror LOGO light	16	-
17	Front wiper relay control	18	High beam relay control
19	Turn signal fault feedback (left front combination lamp)	20	Horn relay control
21	Font windshield wiper stop position switch input	22	-
23	Reversing lamps output	24	Left turn signal power supply
25	High-mount brake light signal output	26	-
27	Front passenger side door switch signal	28	Rear defrost relay control
29	Steering wheel heating relay control	30	-
31	Rear wiper relay control	32	-
33	Turn signal fault feedback (trunk door side right rear combination lamp)	34	LIN
35	Right turn lamp signal output	36	Rear fog lamp signal output

37	Collision hardwired input	38	Central locking/unlocking switch signal
39	Left front door gating switch signal	40	Trunk door gated switch signal
41	Low beam relay control	42	Front windshield heating relay control
43	-	44	Rear wiper stop position signal input
45	-	46	LIN
47	Power-saving relay output	48	Brake light signal output

IP22a Body control module harness connector 3

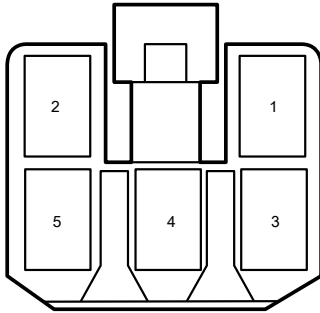


NL13-5141a

1	Indoor light power supply	2	Rearview mirror power 1
3	Indoor light power supply	4	Rearview mirror unfolding
5	Position lamp signal output	6	Rearview mirror power 2
7	Grounding	8	Exterior rearview mirror grounding
9	Grounding	10	Rearview mirror folding
11	-	12	Trunk door lock motor unlocking
13	Front wiper power supply	14	Door lock motor power supply
15	-	16	-
17	Front wiper high speed gear	18	Central locking signal

19	Front wiper low speed gear	20	Central unlocking signal
21	-	22	Grounding

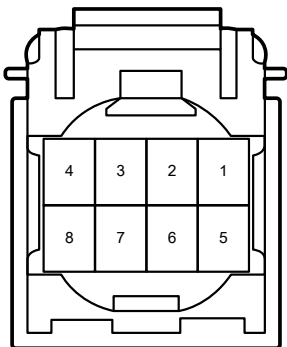
IP30a Headlight adjustment control switch harness connector



NL13-5144a

1	Motor adjusting signal	2	Motor adjusting power supply
3	Grounding	4	Backlighting power supply
5	-	-	-

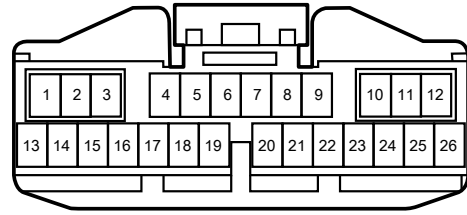
IP35d Electrical power steering control module harness connector



NL13-5146a

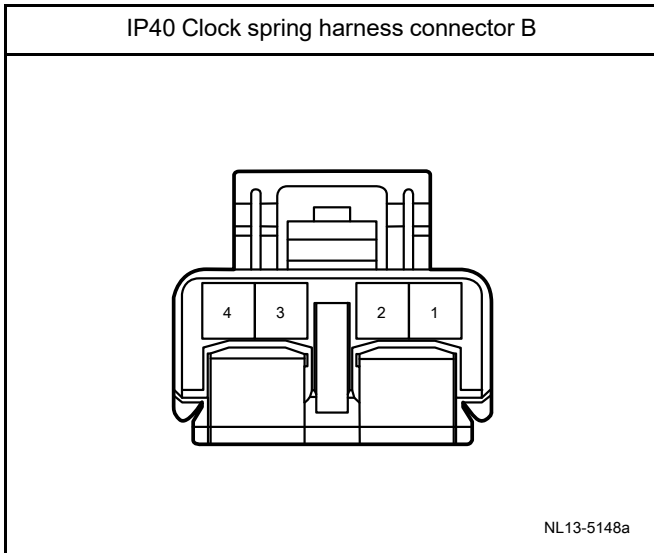
1	IG1 power supply	2	-
3	-	4	-
5	-	6	-
7	CS CAN-H	8	CS CAN-L

IP39a Clock spring harness connector A

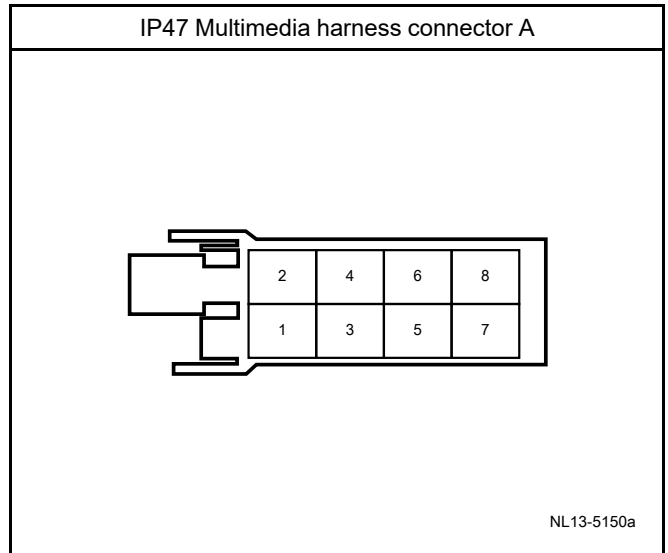


NL13-5147a

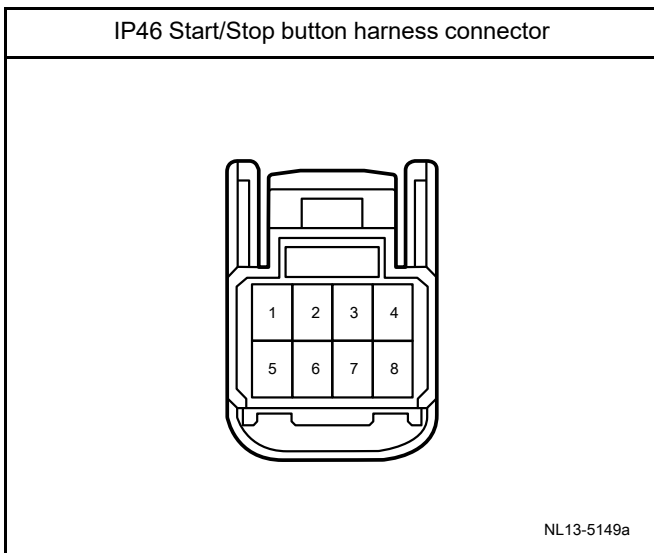
1	Front windshield washer motor +	2	Rear washer motor +
3	IG2 power supply	4	-
5	CS CAN-H	6	CS CAN-L
7	Volume +	8	Horn relay control
9	-	10	Grounding
11	-	12	-
13	-	14	-
15	Front wiper low speed switch signal	16	Power supply
17	Shift paddle +	18	Backlighting power supply
19	Steering wheel signal input R	20	Volume -
21	Shift paddle -	22	Shift paddle grounding
23	-	24	Cruise control switch signal 2
25	-	26	-



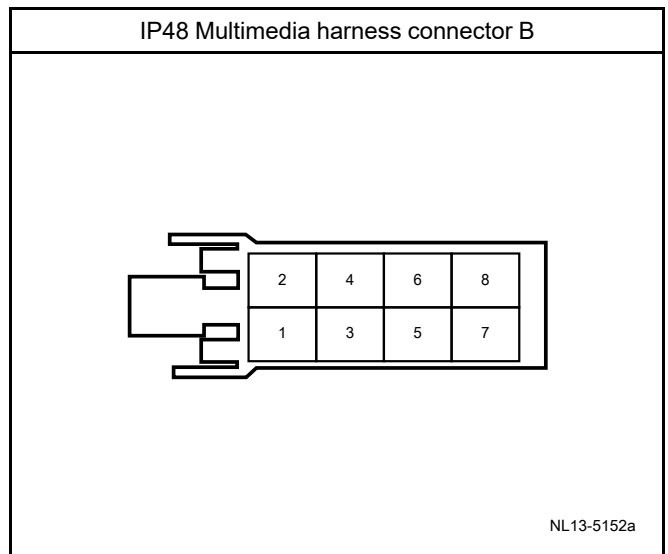
1	Driver front airbag +	2	Driver front airbag -
3	Cruise control switch grounding	4	Cruise control switch signal 1



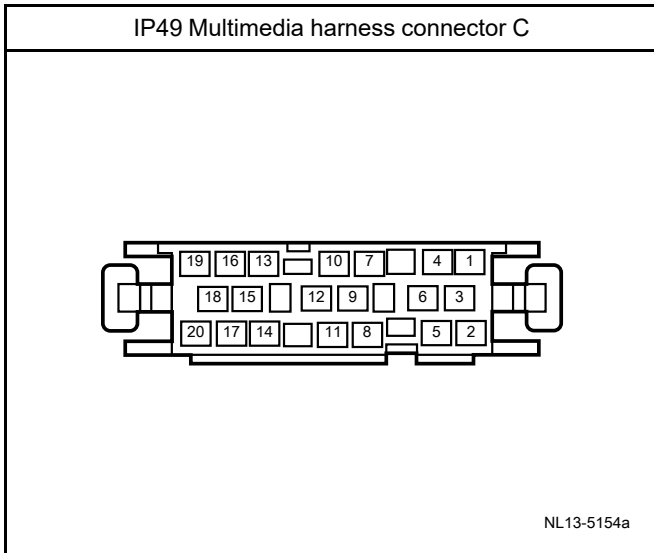
1	Volume +	2	Volume -
3	Multimedia switch grounding	4	ACC power supply
5	-	6	-
7	B+ power supply	8	Grounding



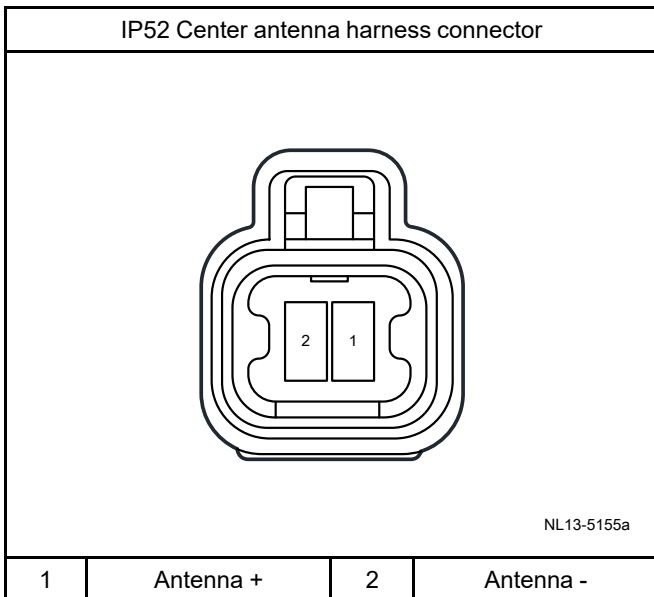
1	-	2	Backlighting power supply
3	Start switch grounding	4	Green LED
5	Switch signal 1	6	Orange LED
7	-	8	Switch signal 2



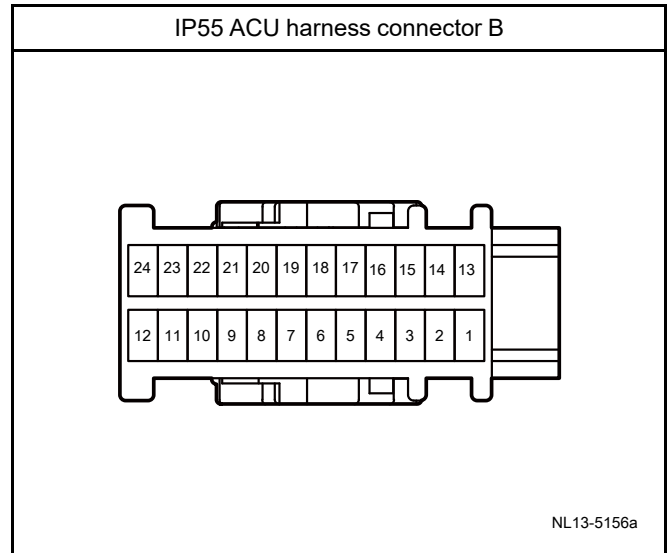
1	Right rear door speaker +	2	Right rear door speaker -
3	Front passenger side door speaker +	4	Front passenger side door speaker -
5	Driver side door sound speaker +	6	Driver side door sound speaker -
7	Left rear door speaker +	8	Left rear door speaker -



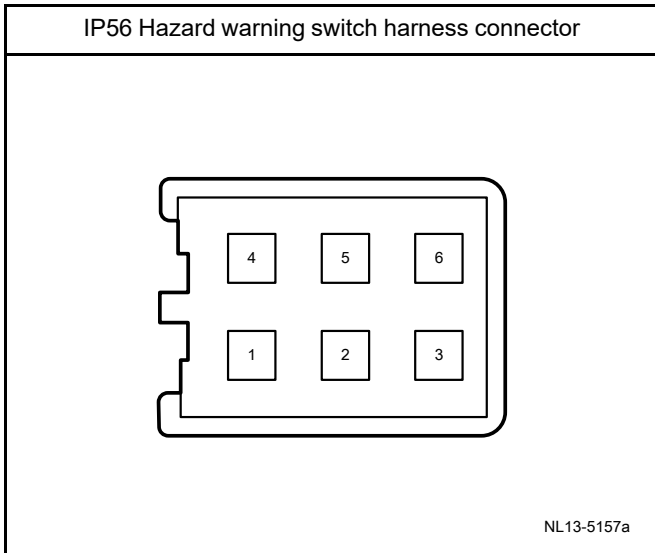
1	-	2	Microphone 2 +
3	Microphone 1 -	4	-
5	Microphone 2 -	6	Microphone output
7	IF CAN-L	8	Rear camera power supply
9	Rear camera grounding	10	IF CAN-H
11	AMP ACC control input/Rear camera video +	12	AMP ACC control input/Rear camera shielding wire
13	LIN	14	Display wake-up signal
15	-	16	T-BOX audio input +
17	-	18	T-BOX mute input/E-CALL mute input
19	T-BOX audio output grounding	20	-



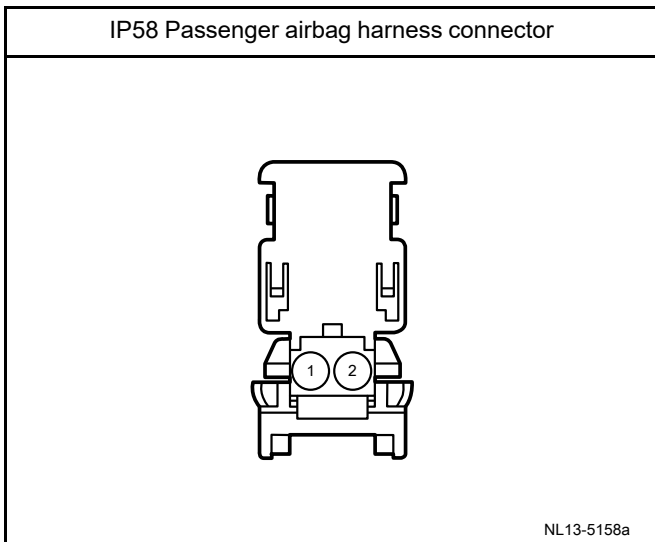
1	Antenna +	2	Antenna -
---	-----------	---	-----------



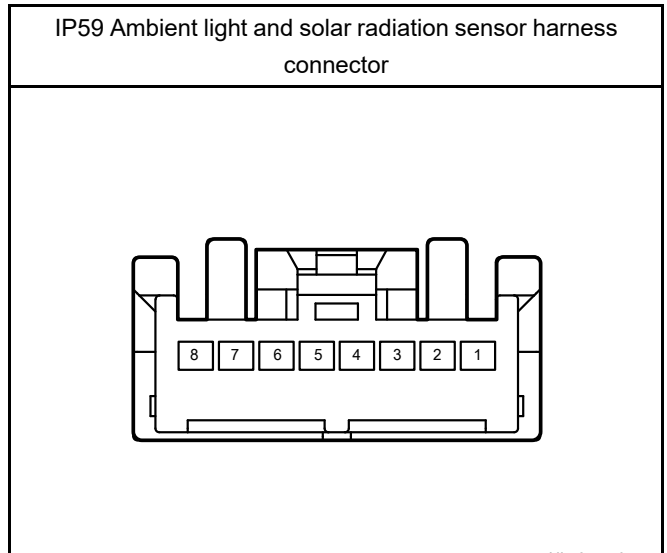
1	IG1 power supply	2	Collision signal output
3	Front passenger seat belt buckle switch signal +	4	Front passenger detection switch signal +
5	Left rear seat belt buckle switch signal +	6	Seat belt buckle/ Front occupant detection switch signal -
7	Left front impact sensor -	8	Left front impact sensor +
9	Right front impact sensor +	10	Right front impact sensor -
11	CS CAN-L	12	CS CAN-H
13	Driver side seat belt buckle switch signal +	14	-
15	Grounding	16	-
17	Pretensioner seat belt-passenger -	18	Pretensioner seat belt-passenger +
19	Pretensioner seat belt-driver +	20	Pretensioner seat belt-driver -
21	Front passenger front airbag -	22	Front passenger front airbag +
23	Driver front airbag +	24	Driver front airbag -



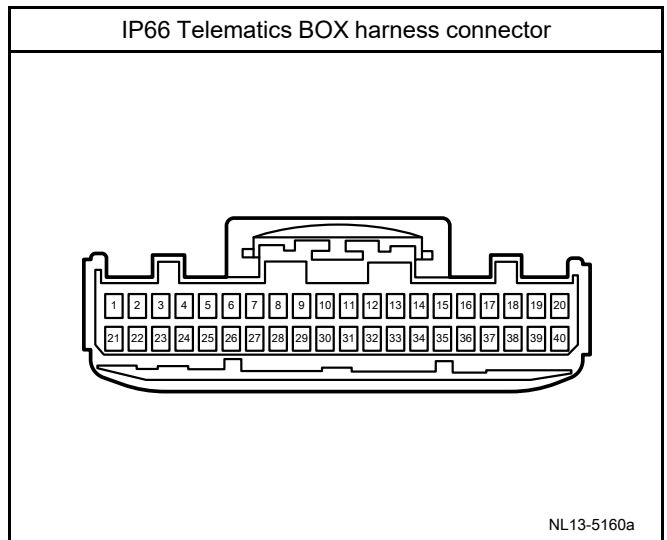
1	Hazard warning switch signal	2	Backlighting power supply
3	Hazard warning light LED	4	Grounding
5	-	6	-



1	Signal +	2	Signal -
---	----------	---	----------



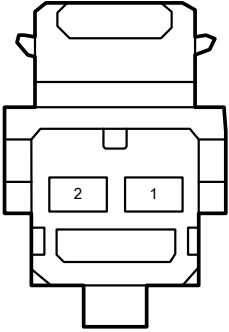
1	Anti-theft alarm light grounding	2	IG2 power supply
3	Sunlight sensor signal (right channel)	4	Sunlight sensor grounding
5	Sunlight sensor signal (left channel)	6	Ambient light sensor signal output
7	Ambient light sensor grounding	8	Anti-theft alarm light power supply



1	IG1 power supply	2	-
3	Grounding	4	-
5	Microphone output -	6	Microphone input +
7	-	8	Audio output +
9	Mid-range speaker +	10	Front reading light button grounding
11	ACU collision signal	12	Work led grounding
13	-	14	-

15	-	16	-
17	-	18	-
19	IF CAN-H	20	B+ power supply
21	-	22	-
23	-	24	-
25	Microphone output +	26	Microphone input -
27	-	28	Audio output -
29	Mid-range speaker -	30	Front reading light button signal input
31	Front reading light button signal output	32	Mute
33	Light signal 2	34	Light signal 1
35	-	36	-
37	-	38	-
39	IF CAN-L	40	Grounding

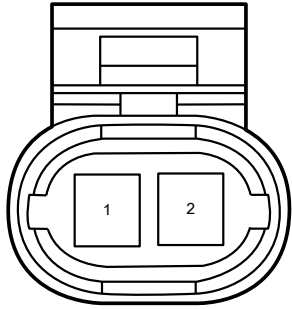
IP67a Mediant speaker harness connector



NL13-5161a

1	Speaker -	2	Speaker +
---	-----------	---	-----------

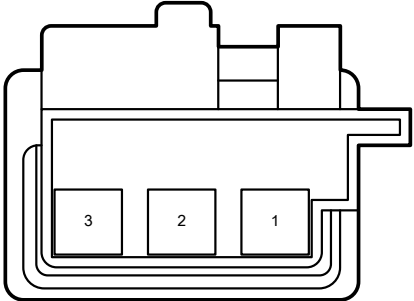
IP70a Glove compartment light harness connector



NL13-5162a

1	Glove compartment light +	2	Glove compartment light -
---	---------------------------	---	---------------------------

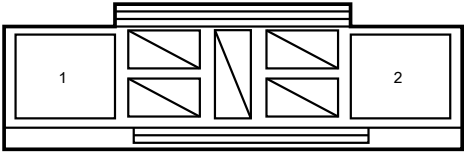
IP71a USB power outlet harness connector



NL13-5163a

1	Grounding	2	-
3	ACC power supply	-	-

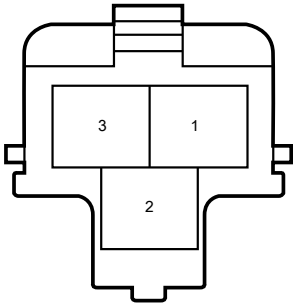
IP74 Glove compartment light switch harness connector



NL13-5164a

1	Glove compartment light switch signal	2	Grounding
---	---------------------------------------	---	-----------

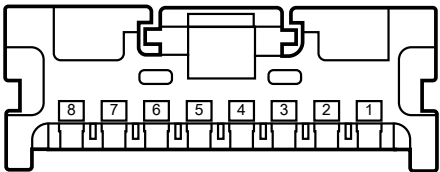
IP82d Accessory power outlet harness connector



NL13-5166a

1	ACC power supply	2	Grounding
3	-	-	-

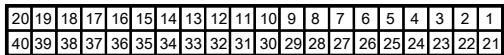
IP78e Air-conditioning panel switch harness connector



NL13-5165a

1	Backlighting grounding	2	Grounding
3	IG2 power supply	4	-
5	-	6	LIN
7	-	8	Backlighting power supply

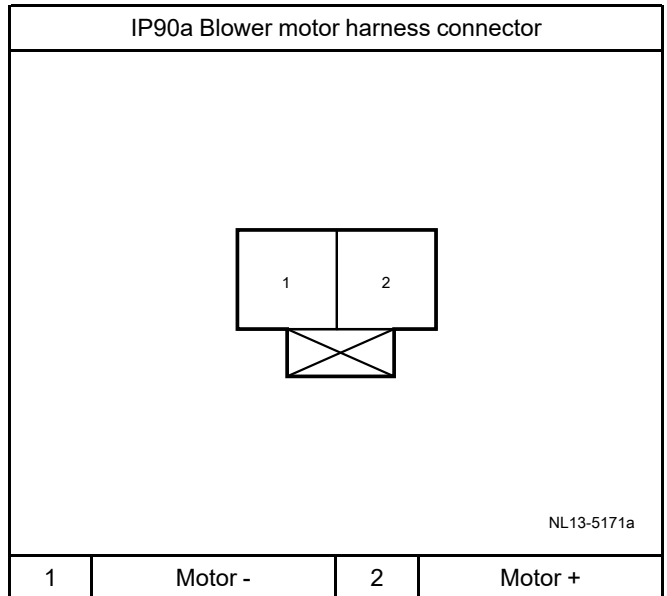
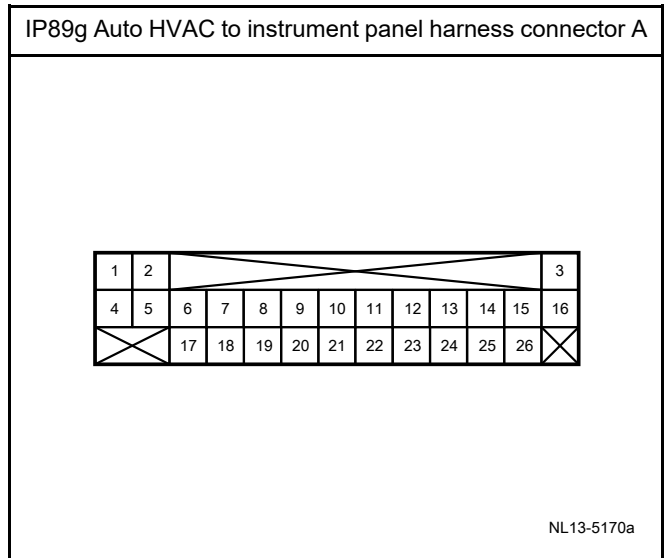
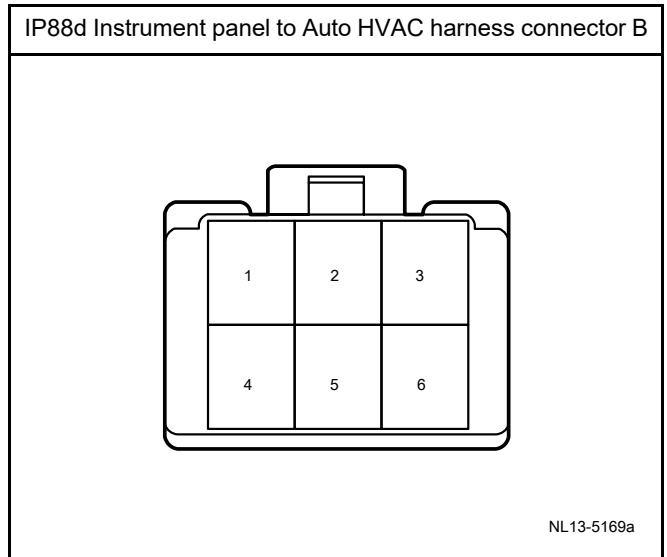
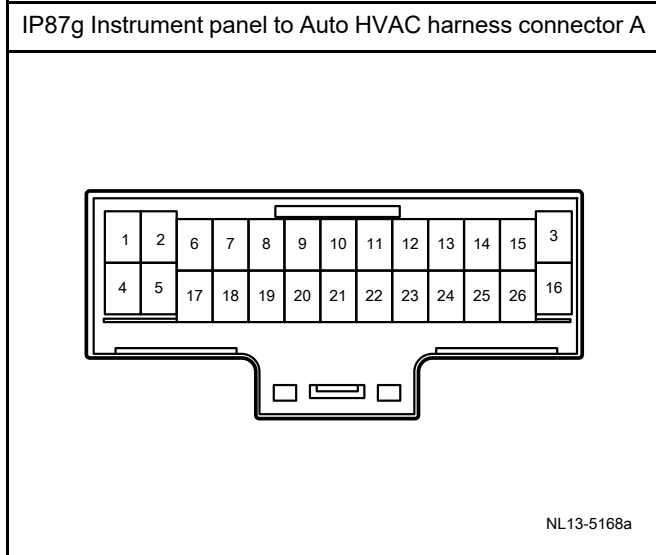
IP85b Auto HVAC control unit harness connector

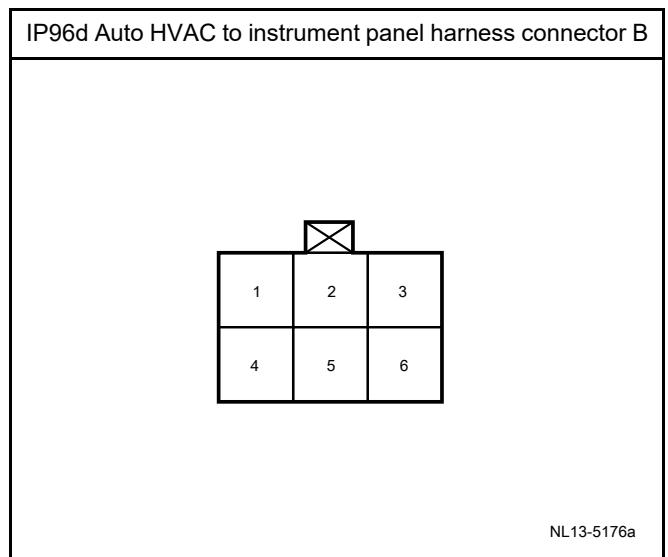
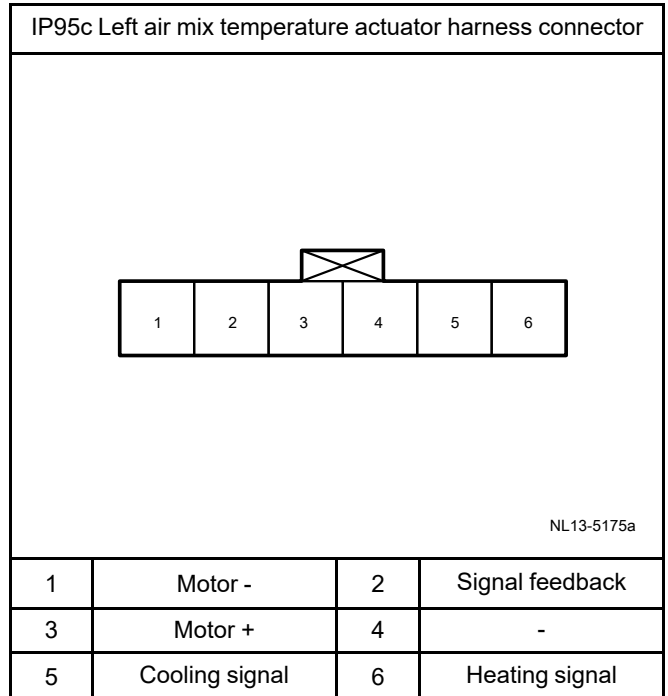
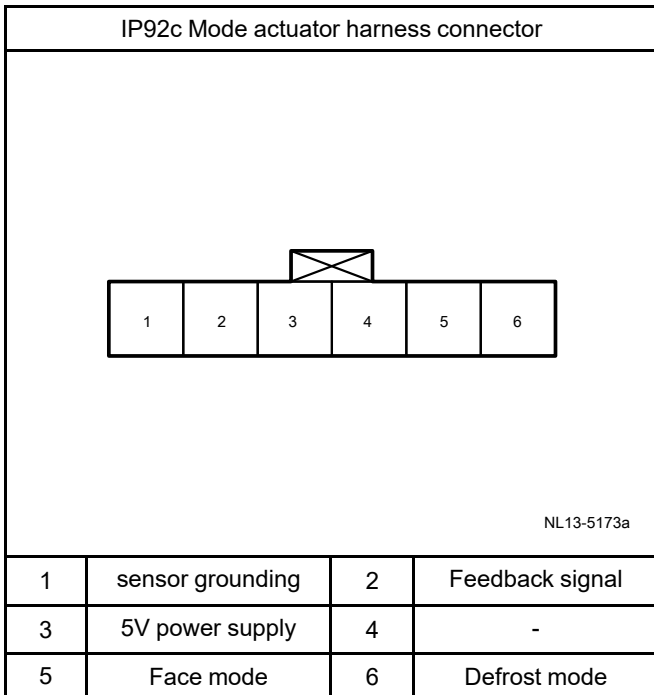
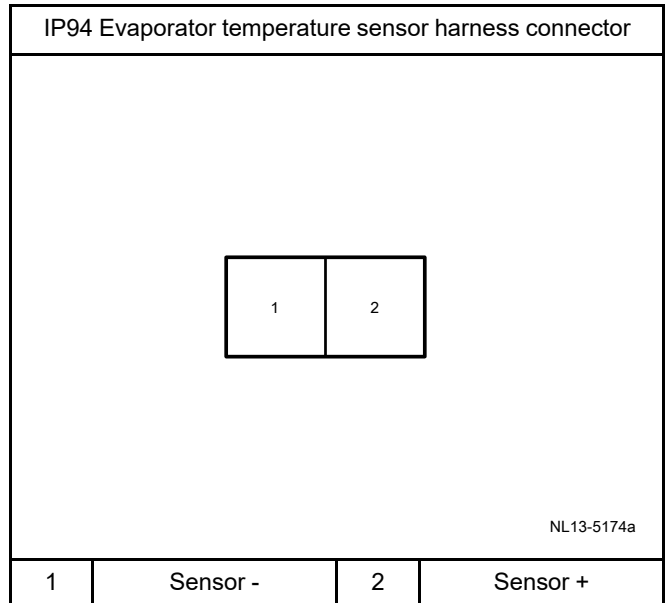
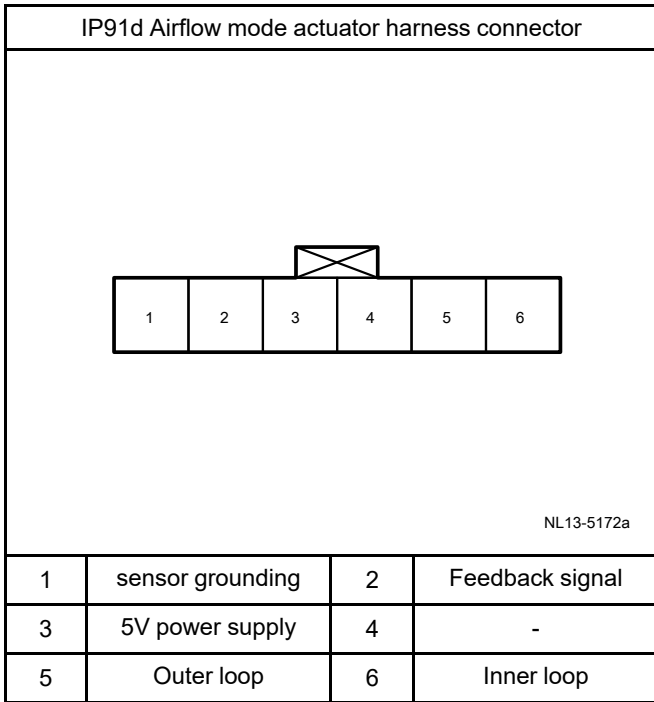


NL13-5167a

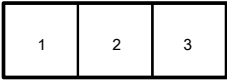
1	Grounding	2	Sensor grounding
3	LIN	4	CF CAN-L
5	CF CAN-H	6	Air quality sensor signal
7	Air conditioning request switch	8	-
9	Inner loop signal	10	Outer loop signal
11	Driver heating	12	Driver cooling
13	Air blower face mode	14	Throttle motor defrost mode
15	Front passenger heating	16	Front passenger cooling
17	Blower controller feedback signal	18	-
19	-	20	-

21	Actuator 5V signal	22	Front windshield washer heating 1 input
23	Front windshield washer heating 2 input	24	Blower controll signal
25	Blower relay control	26	Driver side temperature motor feedback
27	Inner and outer loop motor feedback	28	B+ power supply
29	IG2 power supply	30	-
31	Left sunlight sensor signal	32	Damper motor mode feedback
33	Front passenger temperature motor feedback	34	Outdoor temperature sensor +
35	Evaporator temperature sensor +	36	Indoor temperature sensor +
37	Right sunlight sensor signal	38	-
39	-	40	Ionizer grounding






IP97a Air quality management system harness connector



NL13-5177a

1	IG2 power supply	2	Grounding
3	Sensor signal	-	-

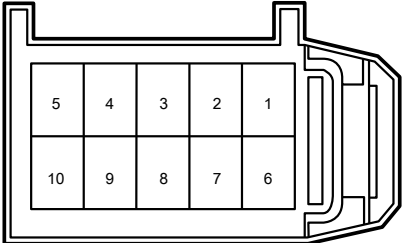
IP98a ION control unit harness connector



NL13-5625a

1	Grounding	2	LIN
3	Power supply	-	-

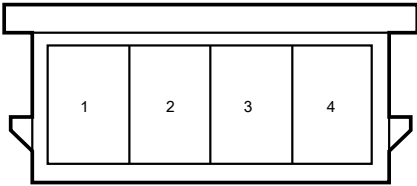
IP100 Driving mode switch harness connector



NL13-5178a

1	-	2	-
3	-	4	-
5	Backlighting power supply	6	ACC power supply
7	Economy/sport gear input signal 1	8	Economy/sport gear input signal 2
9	Economy/sport gear input signal 3	10	Grounding

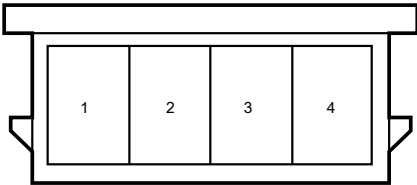
IP101 JC01 harness connector



NL13-5179a

1	IF CAN-H	2	IF CAN-H
3	IF CAN-H	4	-

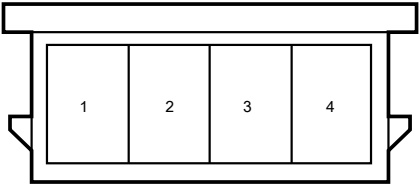
IP102b JC02 harness connector



NL13-5180a

1	IF CAN-L	2	IF CAN-L
3	IF CAN-L	4	-

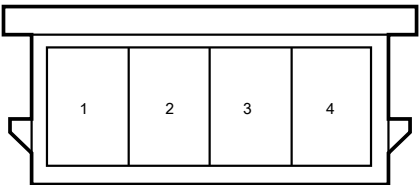
IP103b JC03 harness connector



NL13-5181a

1	CF CAN-L	2	-
3	CF CAN-L	4	CF CAN-L

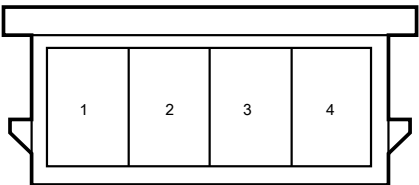
IP104b JC04 harness connector



NL13-5182a

1	CF CAN-H	2	-
3	CF CAN-H	4	CF CAN-H

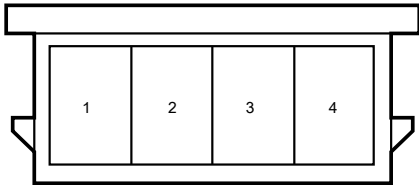
IP105b JC05 harness connector



NL13-5183a

1	CS CAN-H	2	CS CAN-H
3	CS CAN-H	4	-

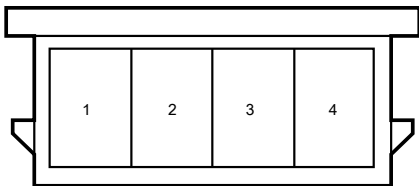
IP106a JC06 harness connector



NL13-5184a

1	CS CAN-L	2	CS CAN-L
3	CS CAN-L	4	-

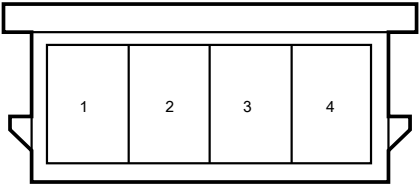
IP107a JC07 harness connector



NL13-5185a

1	CF CAN-H	2	CF CAN-H
3	CF CAN-H	4	-

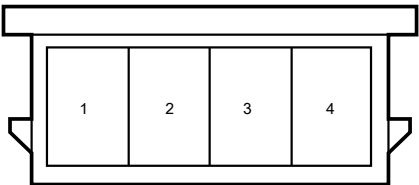
IP108a JC08 harness connector



NL13-5186a

1	CF CAN-L	2	CF CAN-L
3	CF CAN-L	4	-

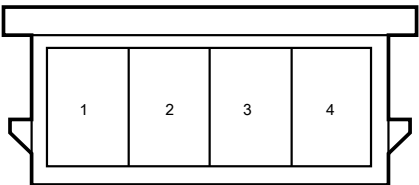
IP109a JC09 harness connector



NL13-5187a

1	IF CAN-H	2	IF CAN-H
3	IF CAN-H	4	-

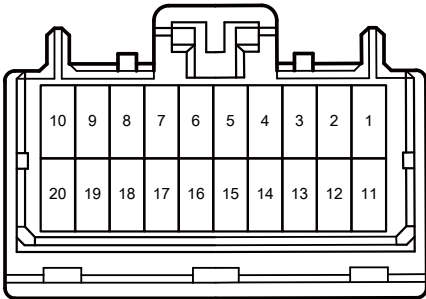
IP110a JC10 harness connector



NL13-5188a

1	IF CAN-L	2	IF CAN-L
3	IF CAN-L	4	-

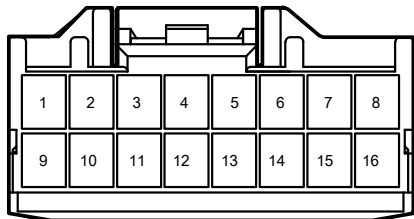
IP112 Gateway harness connector



NL13-5189a

1	CF CAN-H	2	PT CAN-H
3	CS CAN-H	4	HB CAN-H
5	-	6	IF CAN-H
7	-	8	-
9	-	10	-
11	CF CAN-L	12	PT CAN-L
13	CS CAN-L	14	HB CAN-L
15	-	16	IF CAN-L
17	-	18	IG1 power supply
19	B+ power supply	20	Grounding

IP119 Intelligent electrical junction boxes harness connector E

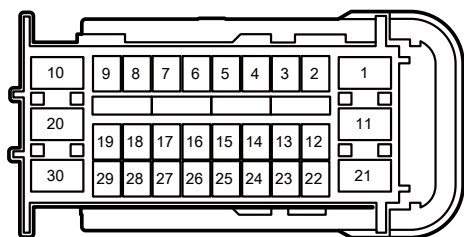


NL13-5190a

1	IG2 power supply	2	IG2 power supply
3	-	4	-
5	-	6	-
7	-	8	-

9	IG2 power supply	10	-
11	-	12	-
13	IG2 power supply	14	IG2 power supply
15	IG2/IG1/ACC relay signal grounding	16	IG2 relay control

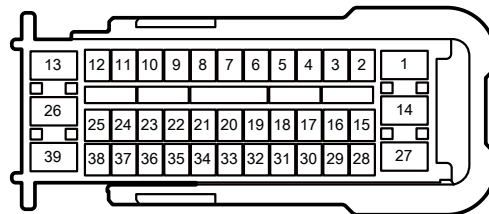
IP120 Intelligent electrical junction boxes harness connector F



NL13-5191a

1	IG2 power supply	2	-
3	IG1 power supply	4	IG1 power supply
5	IG1 power supply	6	-
7	IG1 power supply	8	IG1 power supply
9	-	10	-
11	-	12	-
13	IG1 relay control	14	IG1 power supply
15	ACC relay control	16	ACC power supply
17	-	18	-
19	-	20	-
21	B+ power supply	22	-
23	-	24	ACC power supply
25	-	26	ACC power supply
27	-	28	ACC power supply
29	-	30	-

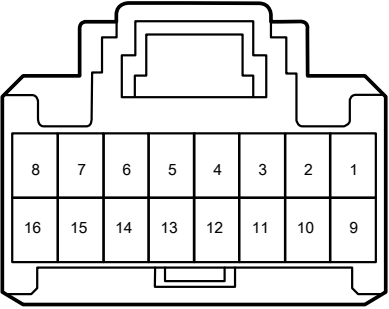
IP121 Intelligent electrical junction boxes harness connector G



NL13-5192a

1	-	2	-
3	-	4	-
5	-	6	-
7	-	8	-
9	-	10	-
11	IG1 power supply	12	-
13	-	14	B+ power supply
15	B+ power supply	16	B+ power supply
17	B+ power supply	18	B+ power supply
19	-	20	B+ power supply
21	B+ power supply	22	B+ power supply
23	B+ power supply	24	B+ power supply
25	-	26	-
27	B+ power supply	28	Steering wheel heating relay control
29	B+ power supply	30	-
31	-	32	B+ power supply
33	-	34	B+ power supply
35	-	36	B+ power supply
37	B+ power supply	38	B+ power supply
39	-	-	-

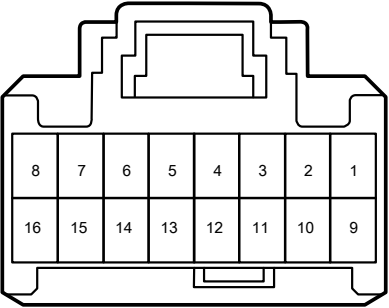
IP124 Passive entry passive start control module harness connector 1



NL13-5193a

1	B+ power supply	2	IG2 relay control
3	ACC relay control	4	IG2 relay control
5	CF CAN-L	6	CF CAN-H
7	-	8	Wireless charging enable
9	-	10	-
11	IG1 power supply	12	Brake light switch signal
13	Start request signal	14	-
15	-	16	Grounding

IP125 Passive entry passive start control module harness connector 2

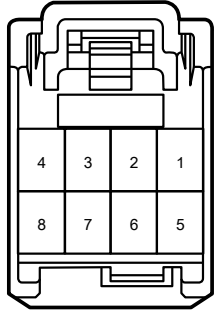


NL13-5194a

1	Backup start transponder antenna +	2	Backup start transponder antenna -
3	Start switch green LED	4	-
5	Start switch orange LED	6	Inside front standard antenna -

7	Left rear door high performance antenna -	8	Left rear door high performance antenna +
9	-	10	Starting switch backlight grounding
11	Start switch 1	12	-
13	Start switch 2	14	Inside front standard antenna +
15	Right rear door high performance antenna -	16	Right rear door high performance antenna +

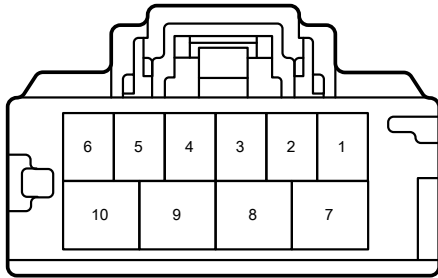
IP126 Passive entry passive start control module harness connector 3



NL13-5195a

1	Trunk door microswitch +	2	Outer handle sensor-diver door -
3	Outer handle sensor-diver door +	4	Rear bumper low frequency antenna -
5	-	6	Outer handle sensor-passenger door -
7	Outer handle sensor-passenger door +	8	Rear bumper low frequency antenna +

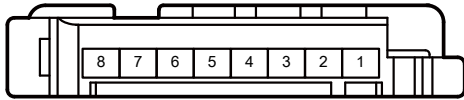
IP127 Passive entry passive start control module harness connector 4



NL13-5196a

1	-	2	-
3	-	4	LIN
5	-	6	-
7	-	8	-
9	-	10	-

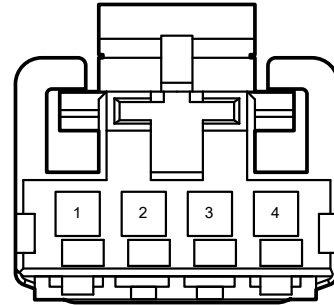
IP135 Wireless charging module harness connector



NL13-5414a

1	Grounding	2	-
3	LIN	4	-
5	Wireless charging enable	6	-
7	-	8	ACC power supply

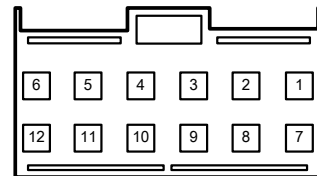
IP137c Passenger side ambient light harness connector



NL13-5197a

1	-	2	Power supply
3	LIN	4	Grounding

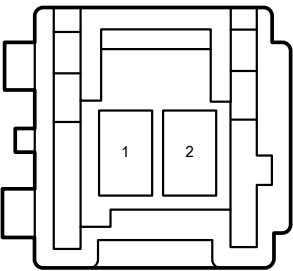
IP141a EPB switch harness connector



NL13-5199a

1	-	2	-
3	Backlighting power supply	4	Automatic parking work LED input signal
5	Automatic parking work LED output signal	6	Automatic parking switch signal
7	EPB applied signal output	8	EPB applied signal input
9	EPB release signal input	10	EPB release signal output
11	EPB LED	12	Grounding

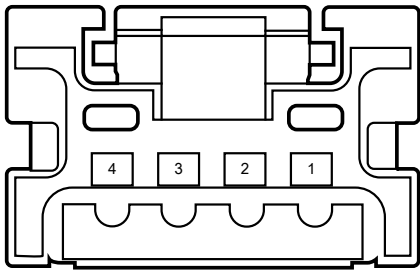
IP143 Standby antenna harness connector



NL13-5200a

1	Antenna +	2	Antenna -
---	-----------	---	-----------

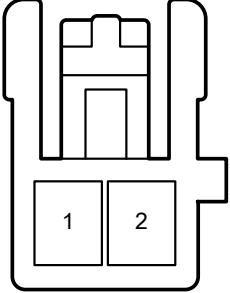
IP147b Display harness connector



NL13-5203a

1	B+ power supply	2	Grounding
3	Wake-up signal	4	-

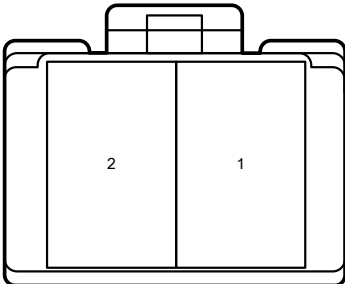
IP145a Driver side footwell light harness connector



NL13-5201a

1	Power supply	2	Grounding
---	--------------	---	-----------

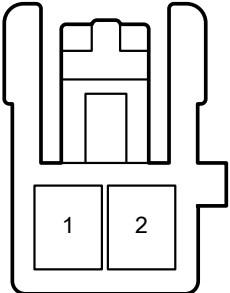
IP153b Cabin air temperature sensor harness connector



NL13-5205a

1	Sensor -	2	Sensor +
---	----------	---	----------

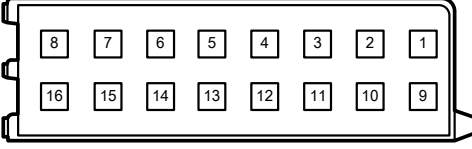
IP146a Passenger side footwell light harness connector



NL13-5202a

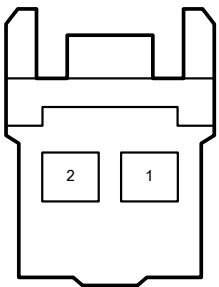
1	Power supply	2	Grounding
---	--------------	---	-----------

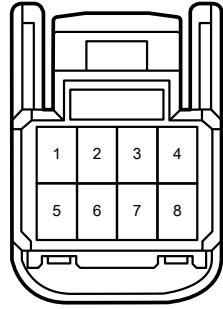
IP164b Deputy instrument switch harness connectors

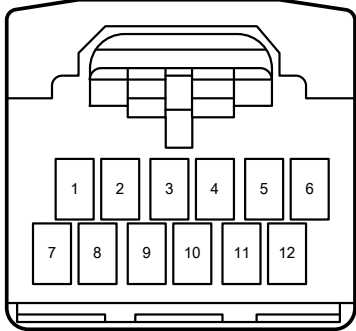


NL13-5206a

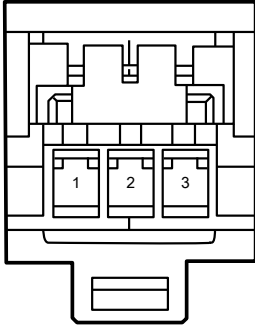
1	Backlighting power supply	2	Travel recorder switch power supply input
3	Travel recorder switch signal output	4	Travel recorder switch signal grounding
5	Parking assist switch signal	6	IG2 power supply
7	Parking assist work led	8	360 panoramic image switch grounding
9	ESC switch signal	10	Slow down switch signal
11	Grounding	12	360 panoramic image switch signal
13	360 panoramic image work LED	14	Automatic parking work LED
15	Automatic parking work switch signal	16	ACC power supply

IP171b Center speaker harness connector			
			
NL13-5208a			
1	Speaker -	2	Speaker +

IP183b Head-up display harness connector			
			
NL13-5471a			
1	Grounding	2	IG1 power supply
3	IF CAN-H	4	-
5	B+ power supply	6	-
7	IF CAN-L	8	-

IP185 Transmission shift lever switch harness connector			
			
NL13-5209a			
1	B+ power supply	2	IG1 power supply
3	-	4	PT CAN-H
5	PT CAN-L	6	-
7	Shift paddle input +	8	Shift paddle input -
9	Shift paddle grounding	10	Grounding
11	-	12	-

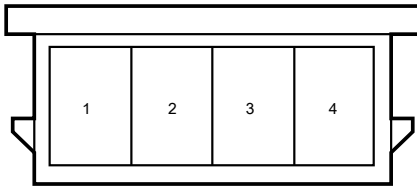
IP198a Saucer harness connector



NL13-5467a

1	IG2 power supply	2	LIN
3	Grounding	-	-

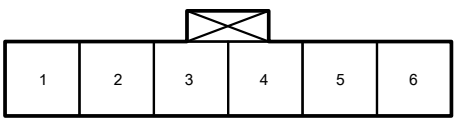
IP220 JC31 harness connector



NL13-5211a

1	IF CAN-H	2	IF CAN-H
3	-	4	IF CAN-H

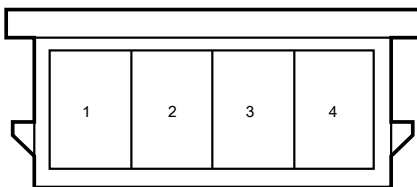
IP213b Right air mix temperature actuator harness connector



NL13-5210a

1	sensor grounding	2	Front passenger temperature motor feedback
3	5V power supply	4	-
5	Front passenger heating	6	Front passenger cooling

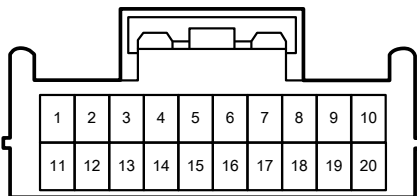
IP221 JC32 harness connector



NL13-5212a

1	IF CAN-L	2	IF CAN-L
3	-	4	IF CAN-L

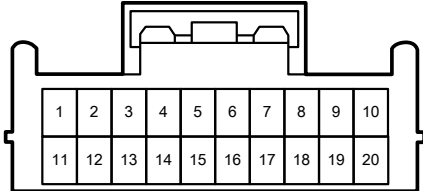
IP222a JC33 harness connector



NL13-5213a

1	Backlighting power supply	2	Backlighting power supply
3	Backlighting power supply	4	Backlighting power supply
5	-	6	Backlighting power supply
7	Backlighting power supply	8	-
9	-	10	Backlighting power supply
11	Backlighting power supply	12	Backlighting power supply
13	-	14	-
15	Backlighting power supply	16	Backlighting power supply
17	-	18	Backlighting power supply
19	Backlighting power supply	20	Backlighting power supply

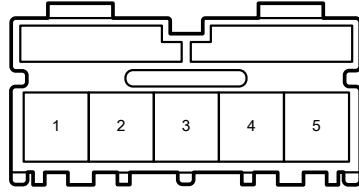
IP223a JC34 harness connector



NL13-5214a

1	Grounding	2	Grounding
3	Grounding	4	Grounding
5	Grounding	6	Grounding
7	Grounding	8	Grounding
9	Grounding	10	Grounding
11	-	12	-
13	Grounding	14	-
15	Grounding	16	Grounding
17	Grounding	18	Grounding
19	Grounding	20	Grounding

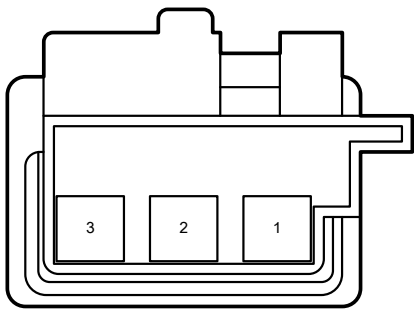
IP226a JC37 harness connector



NL13-5217a

1	Grounding	2	Grounding
3	Grounding	4	Grounding
5	Grounding	-	-

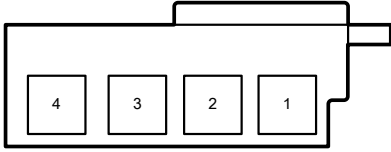
IP233a Driver side USB harness connector



NL13-5218a

1	Grounding	2	-
3	ACC power supply	-	-

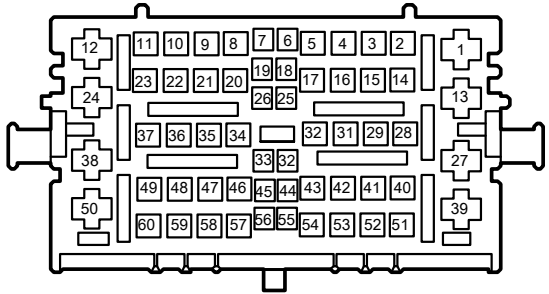
IP235 Blue launch harness connector



NL13-5219a

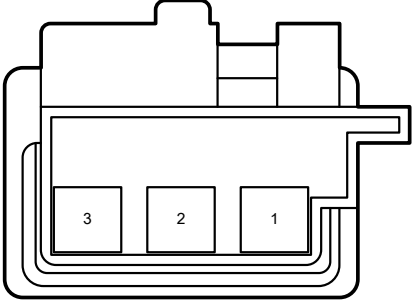
1	Grounding	2	-
3	LIN	4	B+ power supply

IP250b Instrument-wire to Instrument panel harness connector



NL13-5222a

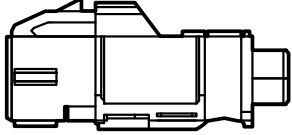
IP236a Passenger side USB harness connector



NL13-5220a

1	Grounding	2	-
3	ACC power supply	-	-

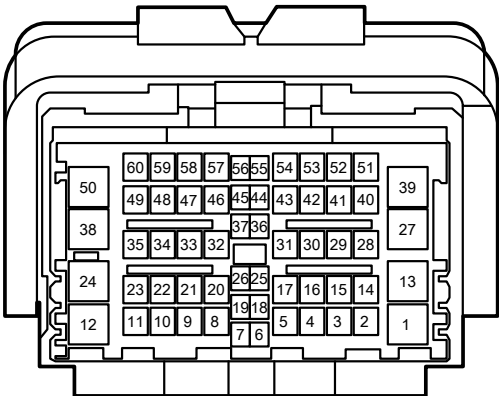
IP261a Instrument control unit harness connector 2



NL13-5557a

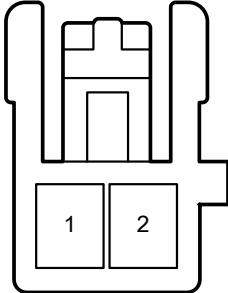
1	Sensus signal	-	-
---	---------------	---	---

IP243b Instrument panel to Instrument-wire harness connector



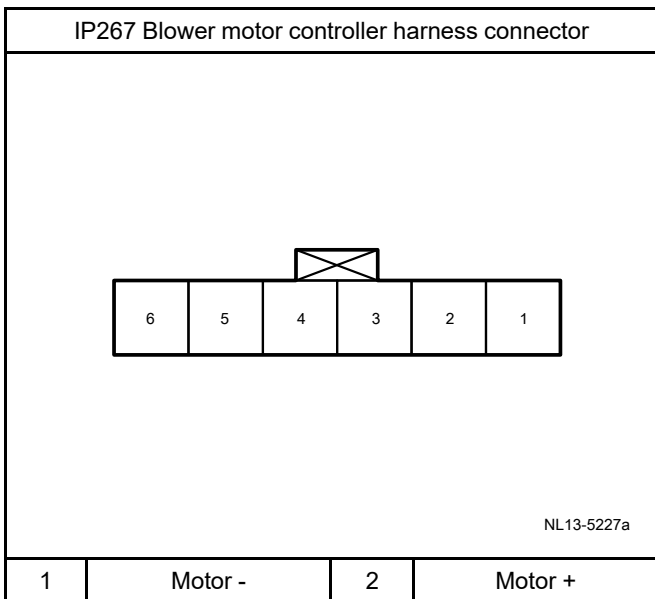
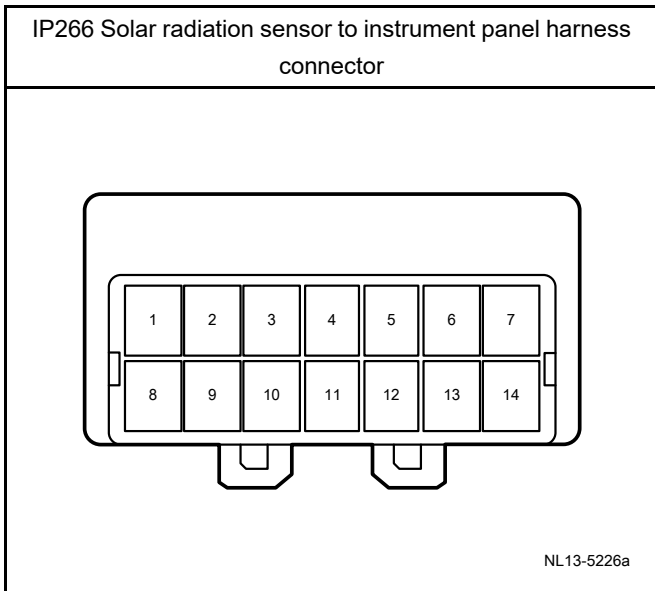
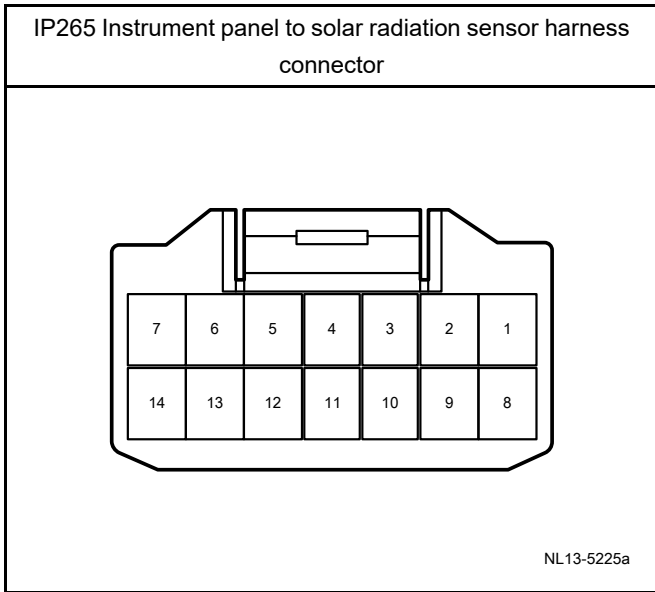
NL13-5221a

IP264 Deputy instrument panel lights harness connector

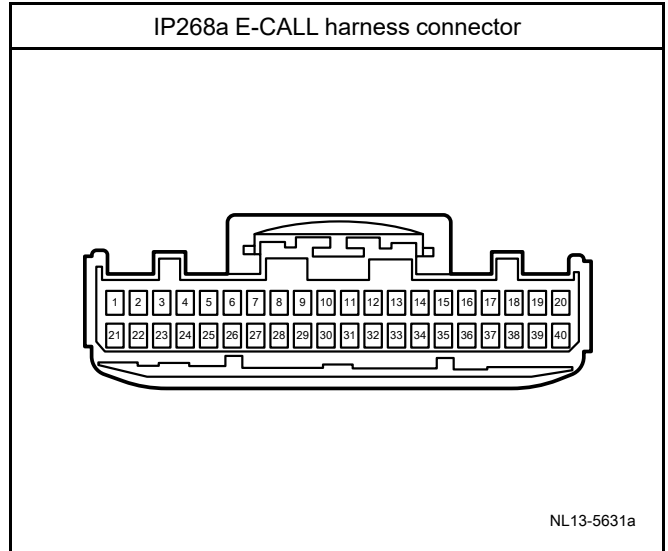


NL13-5224a

1	Battery power supply	2	Grounding
---	----------------------	---	-----------



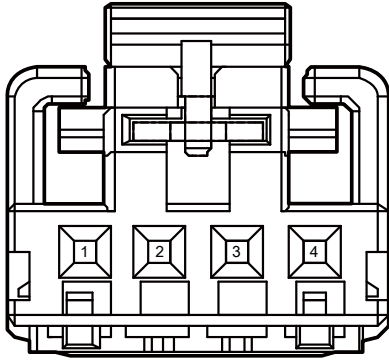
3	Power supply	4	Blower control feedback signal
5	Blower speed control module control signal	6	Grounding



1	B+ power supply	2	ACC power supply
3	Mute input	4	SOS key backlight (green)
5	SOS key backlight (red)	6	IF CAN-H
7	IF CAN-L	8	-
9	-	10	-
11	-	12	-
13	-	14	E-CALL speaker output +
15	E-CALL speaker output -	16	Microphone -
17	Microphone +	18	BIP backlight power supply
19	BIP backlight grounding	20	-
21	-	22	-
23	-	24	-
25	-	26	-
27	-	28	Grounding
29	-	30	-
31	-	32	-
33	-	34	Road rescue button signal input
35	-	36	-

37	SOS button signal input	38	Work LED (green)
39	Work LED (red)	40	-

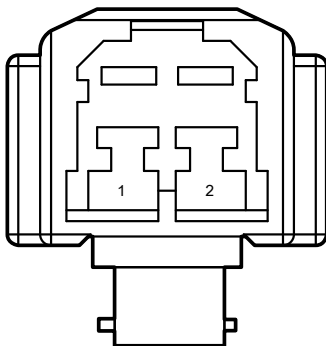
IP269 Heated steering wheel harness connector



NL13-5627a

1	B+ power supply	2	Steering wheel heating signal
3	Grounding	4	-

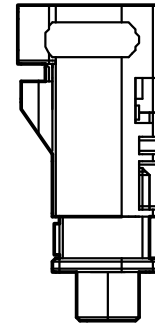
IP280a E-CALL speaker harness connector



NL13-5632a

1	Speaker +	2	Speaker -
---	-----------	---	-----------

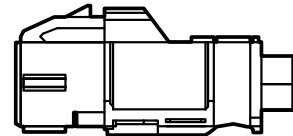
IP296 Instrument panel to floor 360 degrees camera harness connector



NL13-5564a

1	Multimedia	-	-
---	------------	---	---

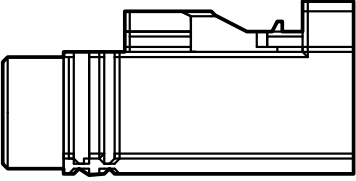
IP306 Sensus harness connector 1



NL13-5565a

1	Travel recorder signal	-	-
---	------------------------	---	---

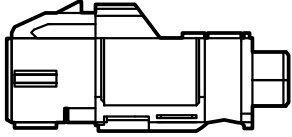
IP311 Sensus harness connector 6



NL13-5570a

1	4G main antenna signal	-	-
---	------------------------	---	---

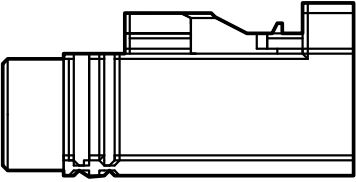
IP314 Sensus harness connector 9



NL13-5573a

1	Panoramic image video signal	-	-
---	------------------------------	---	---

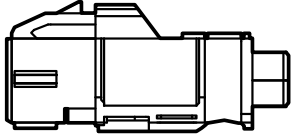
IP312 Sensus harness connector 7



NL13-5571a

1	4G-AUX signal	-	-
---	---------------	---	---

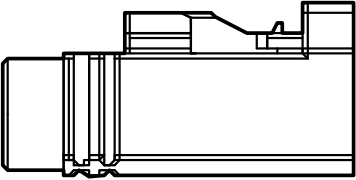
IP315 Sensus harness connector 10



NL13-5574a

1	Sensus signal	-	-
---	---------------	---	---

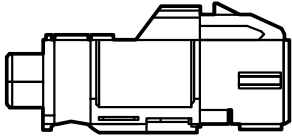
IP313 Sensus harness connector 8



NL13-5572a

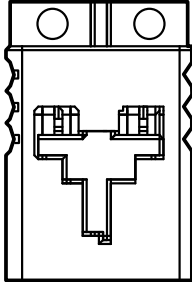
1	MIC2 signal -	-	-
---	---------------	---	---

IP324 Instrument panel to roof dashboard camera harness connector



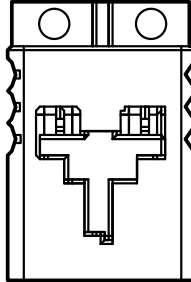
NL13-5575a

IP327 Instrument panel to floor antenna harness connector  
3



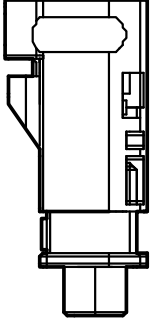
NL13-5578a

IP330 Instrument panel to floor antenna harness connector  
6



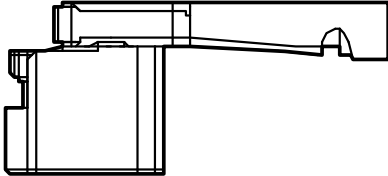
NL13-5581a

IP328 Instrument panel to floor antenna harness connector  
4



NL13-5579a

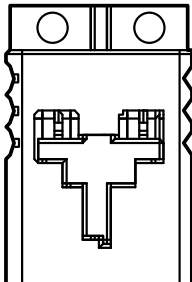
IP331 Telematics BOX harness connector 2



NL13-5582a

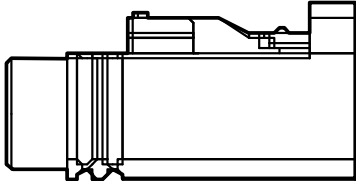
1	4G main antenna signal	-	-
---	------------------------	---	---

IP329 Instrument panel to floor antenna harness connector  
5



NL13-5580a

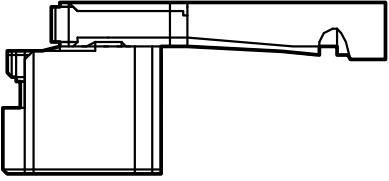
IP332 Telematics BOX harness connector 3



NL13-5583a

1	4G secondary antenna signal	-	-
---	-----------------------------	---	---

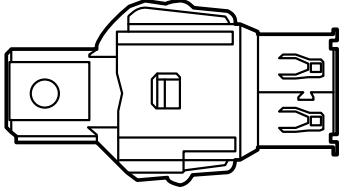
IP333 Telematics BOX harness connector 4



NL13-5584a

1	GPS antenna signal	-	-
---	--------------------	---	---

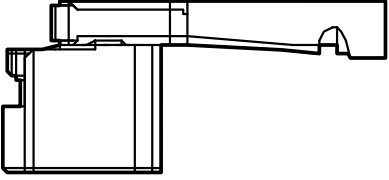
IP336 Data link connector USB harness connector



NL13-5587a

1	Data link connector USB signal	-	-
---	-----------------------------------	---	---

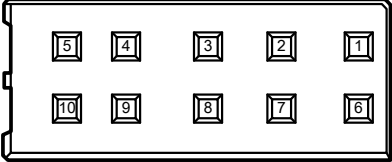
IP334 Telematics BOX harness connector 5



NL13-5585a

1	GPS antenna signal	-	-
---	--------------------	---	---

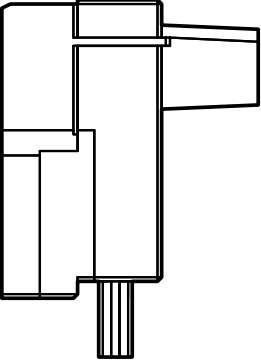
IP356 Right rear heated seat switch harness connector



NL13-5635a

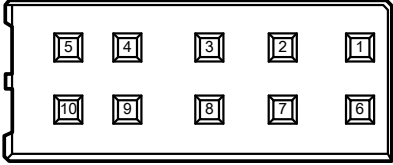
1	Backlighting power supply	2	-
3	-	4	-
5	-	6	Grounding
7	Work LED 1	8	Work LED 2
9	IG1 power supply	10	Heating switch signal

IP335 Instrument control unit USB harness connector

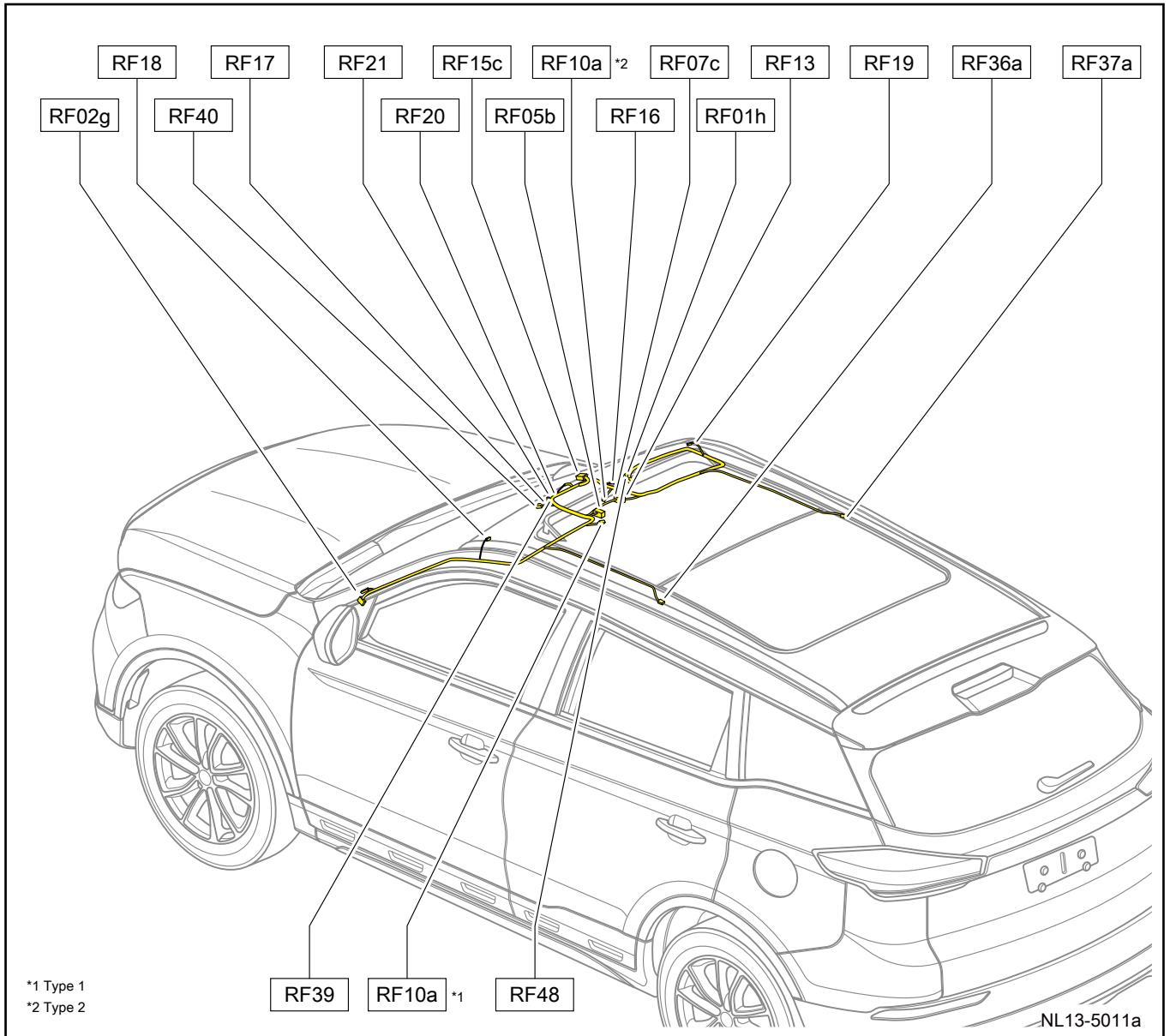


NL13-5586a

1	Data link connector USB signal	-	-
---	-----------------------------------	---	---

IP357 Left rear heated seat switch harness connector			
			
NL13-5636a			
1	Backlighting power supply	2	-
3	-	4	-
5	-	6	Grounding
7	Work led LED1	8	Work led LED2
9	IG1 power supply	10	Heating switch signal

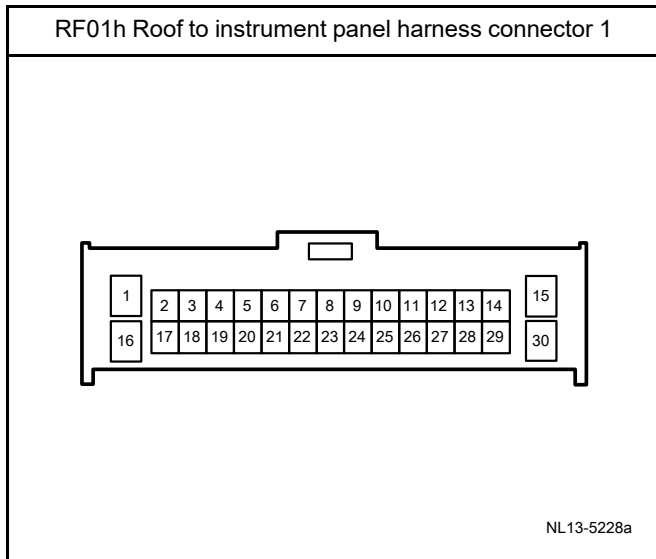
Layout of roof harness



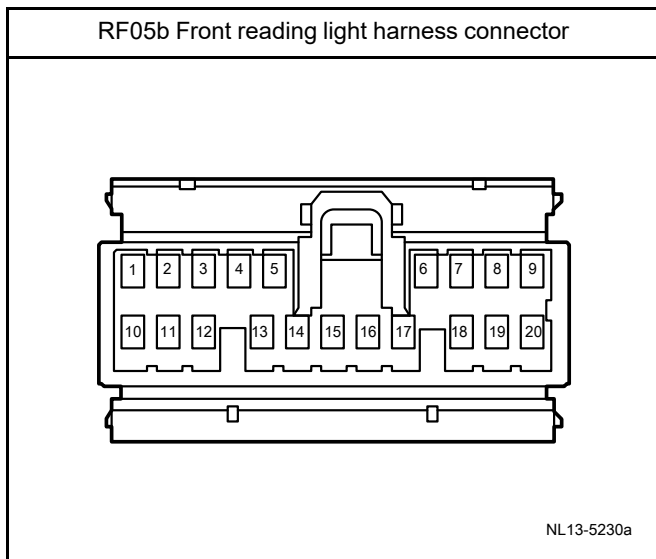
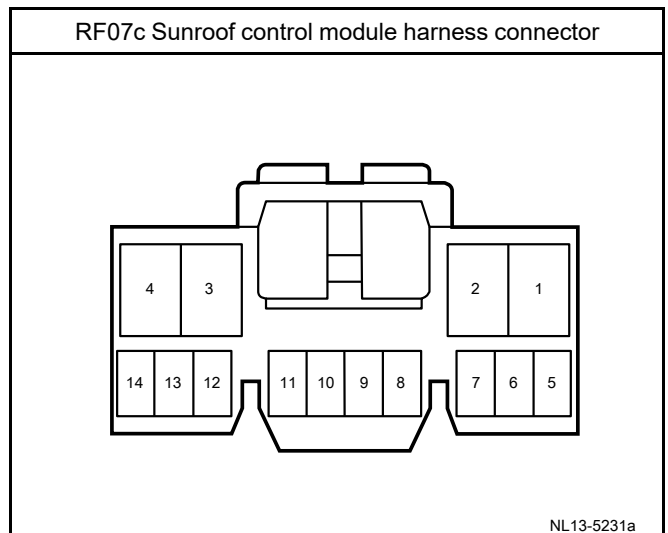
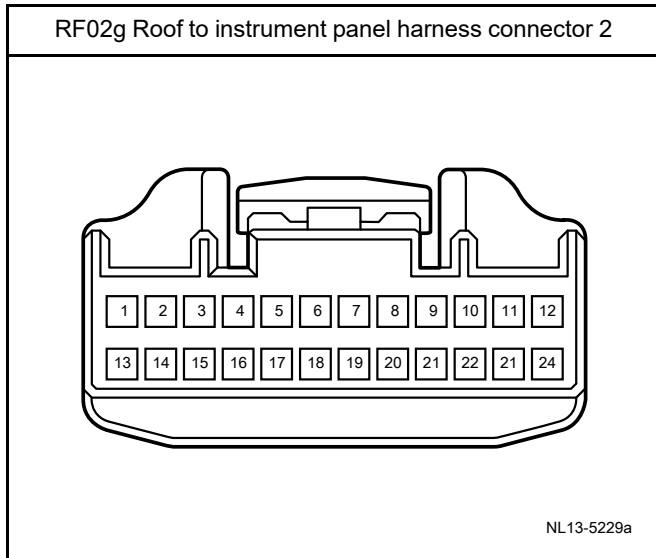
**List of Roof Harness Connector**

Harness connector	Name	Harness connector	Name
RF01h	Roof to instrument panel harness connector 1	RF18	Driver side vanity mirror light harness connector
RF02g	Roof to instrument panel harness connector 2	RF19	Passenger side vanity mirror light harness connector
RF05b	Front reading light harness connector	RF20	Rain sensor harness connector
RF07c	Sunroof control module harness connector	RF21	Inside dimming rearview mirror harness connector
RF10a	SOS switch harness connector	RF36a	Left rear reading light harness connector
RF13	Microphone harness connector	RF37a	Right rear reading light harness connector
RF15c	Dashboard camera harness connector	RF39	Dashboard camera harness connector 2
RF16	USB harness connector	RF40	Front windshield defroster harness connector
RF17	LDW(multi-function camera) harness connector	RF48	Roof to Instrument panel dashboard camera harness connector

Roof harness terminals defined



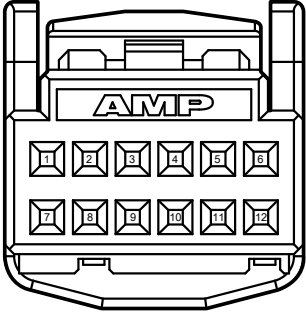
7	Backlighting power supply	8	Front passenger side airbag opening LED -
9	Front passenger side airbag closing LED -	10	Front reading light power supply
11	Front door gating switch signal	12	-
13	Department of rear seat belts are not prompted	14	Button signal
15	Button power supply	16	Button grounding
17	Work led 1	18	Work led 2
19	Work led grounding	20	Back door gating switch signal



1	B+ power supply	2	-
3	-	4	Grounding
5	Sunroof open	6	Sunroof closed
7	Sunroof tilting	8	Sun shade opening
9	Sun shade closed	10	LIN
11	-	12	-
13	-	14	-

1	Grounding	2	Sunroof open
3	Sunroof closed	4	Sunroof tilting
5	Sun shade opening	6	Sun shade closed

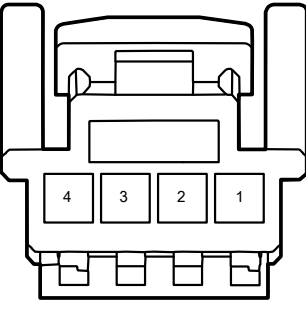
RF10a SOS switch harness connector



NL13-5628a

1	Work led (red)	2	Work led (green)
3	SOS button signal output	4	Road rescue button signal output
5	SOS key backlight (red)	6	SOS key backlight (green)
7	BIP backlight power supply	8	Microphone -
9	BIP backlight grounding	10	Microphone +
11	-	12	-

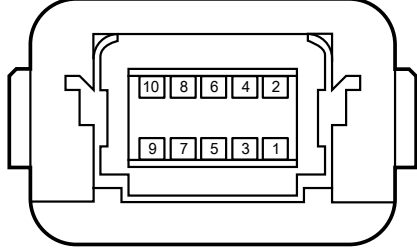
RF13 Microphone harness connector



NL13-5232a

1	Microphone 1 +	2	Microphone 1 -
3	Microphone 2 +	4	Microphone 2 -

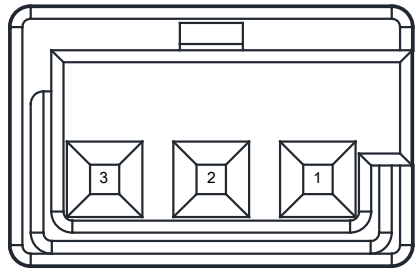
RF15c Dashboard camera harness connector



NL13-5233a

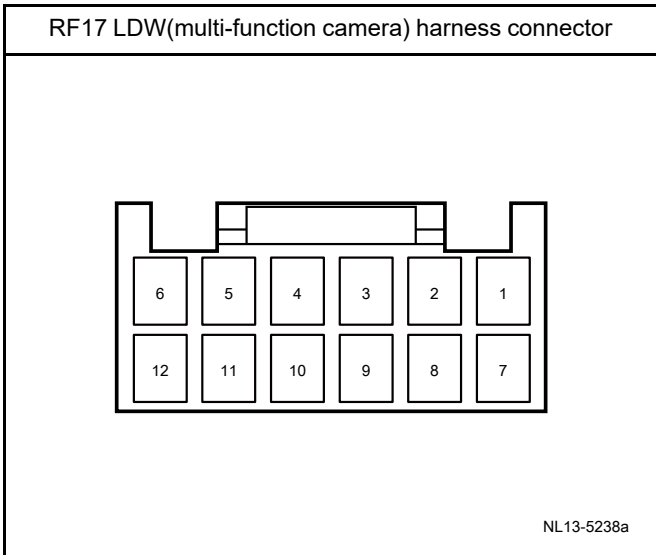
1	-	2	-
3	Urgent video / photo output signal	4	Urgent video / photo input signal
5	IF CAN-L	6	IF CAN-H
7	Travel recorder work LED power supply input	8	ACC power supply
9	Grounding	10	B+ power supply

RF16 USB harness connector

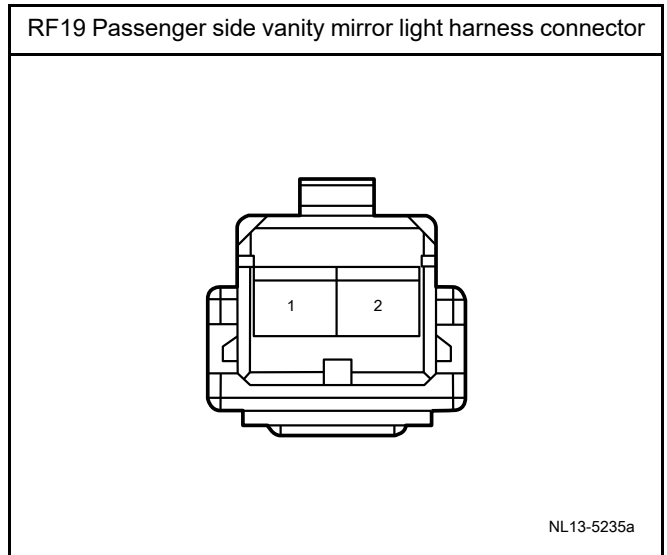
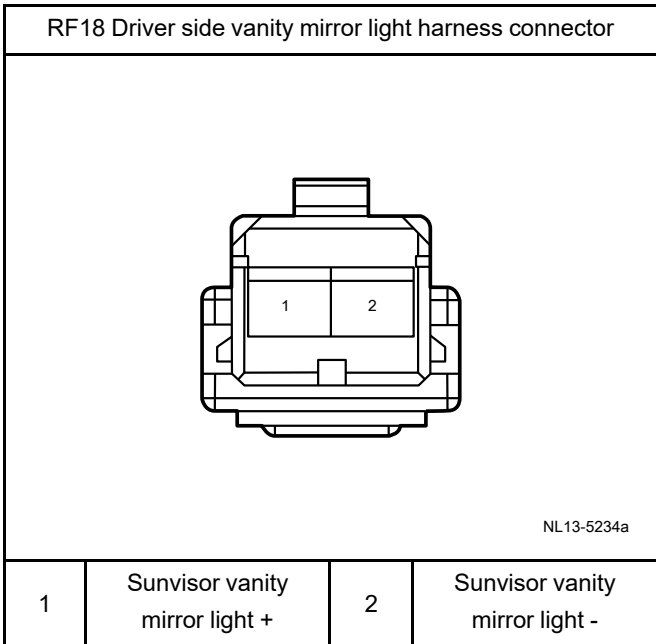


NL13-5420a

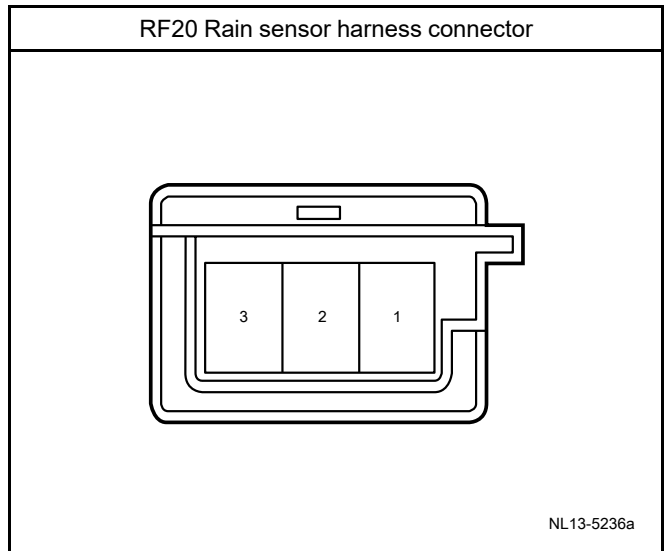
1	Grounding	2	ACC power supply
3	-	-	-



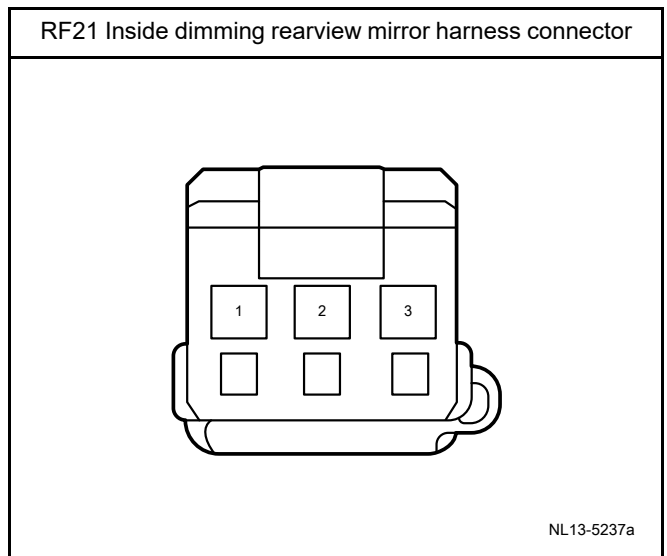
1	CAN-L	2	CS CAN-L
3	-	4	Front windshield heating power supply
5	Grounding	6	IG2 power supply
7	CAN-H	8	CS CAN-H
9	-	10	Front windshield heating grounding
11	-	12	-



1	Sunvisor vanity mirror light +	2	Sunvisor vanity mirror light -
---	--------------------------------	---	--------------------------------

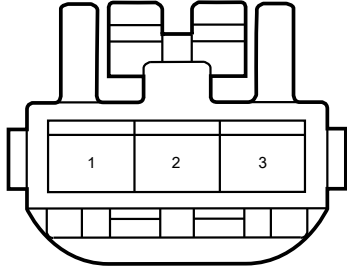


1	B+ power supply	2	Grounding
3	LIN	-	-



1	IG1 power supply	2	Grounding
3	Anti-glare signal input	-	-

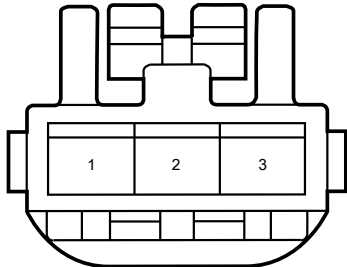
RF36a Left rear reading light harness connector



NL13-5239a

1	Gating signal	2	Power supply
3	Grounding	-	-

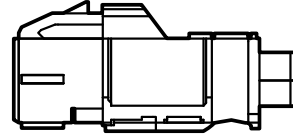
RF37a Right rear reading light harness connector



NL13-5240a

1	Gating signal	2	Power supply
3	Grounding	-	-

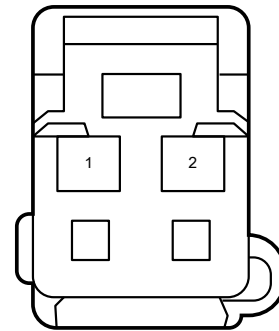
RF39 Dashboard camera harness connector 2



NL13-5589a

1	Video signal	-	-
---	--------------	---	---

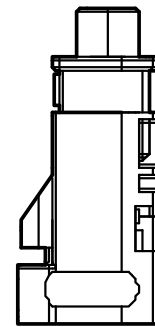
RF40 Front windshield defroster harness connector



NL13-5241a

1	Power supply	2	Grounding
---	--------------	---	-----------

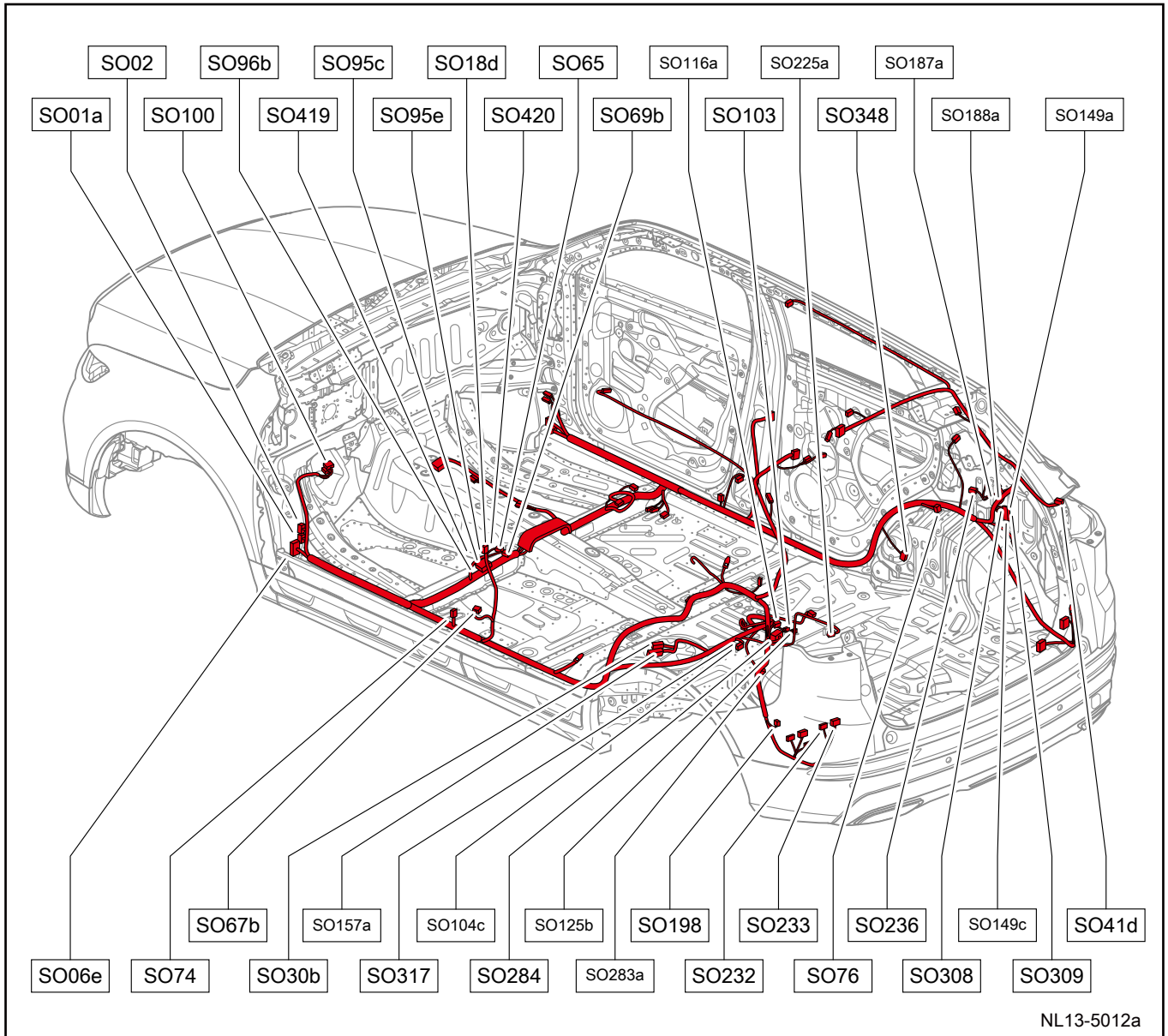
RF48 Roof to Instrument panel dashboard camera harness connector



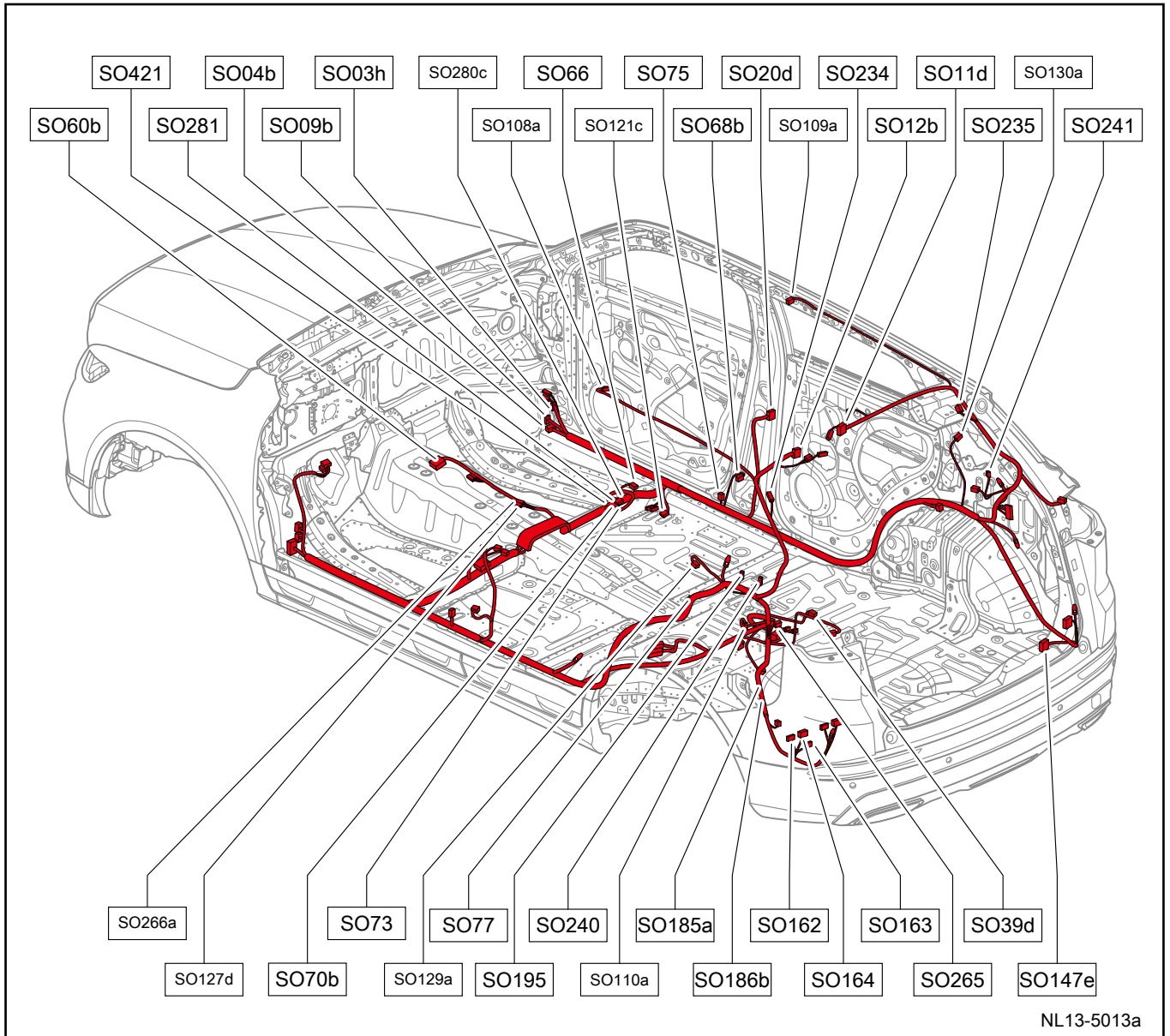
NL13-5590a

1	Travel recorder audio	-	-
---	-----------------------	---	---

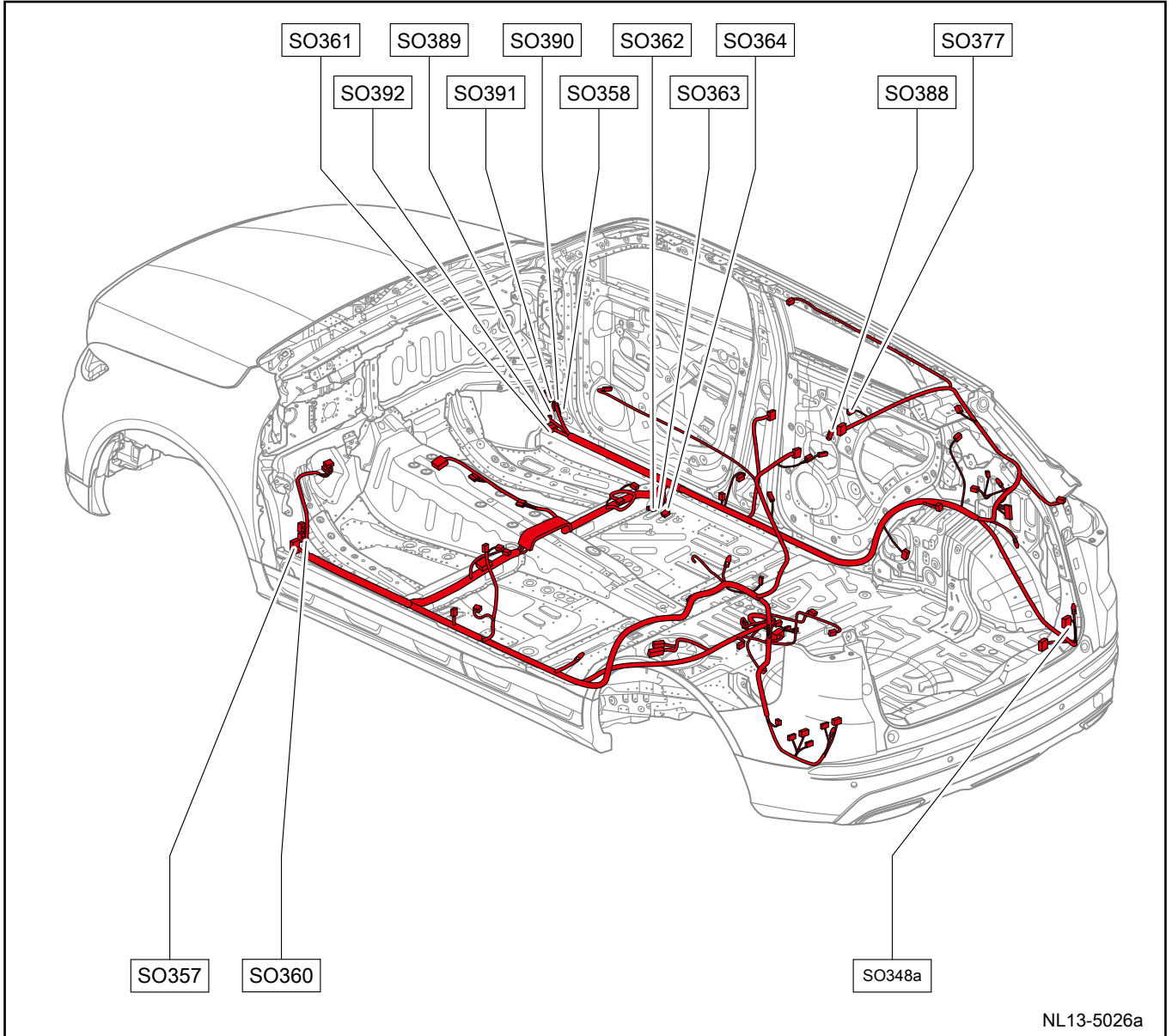
Layout of Floor Harness



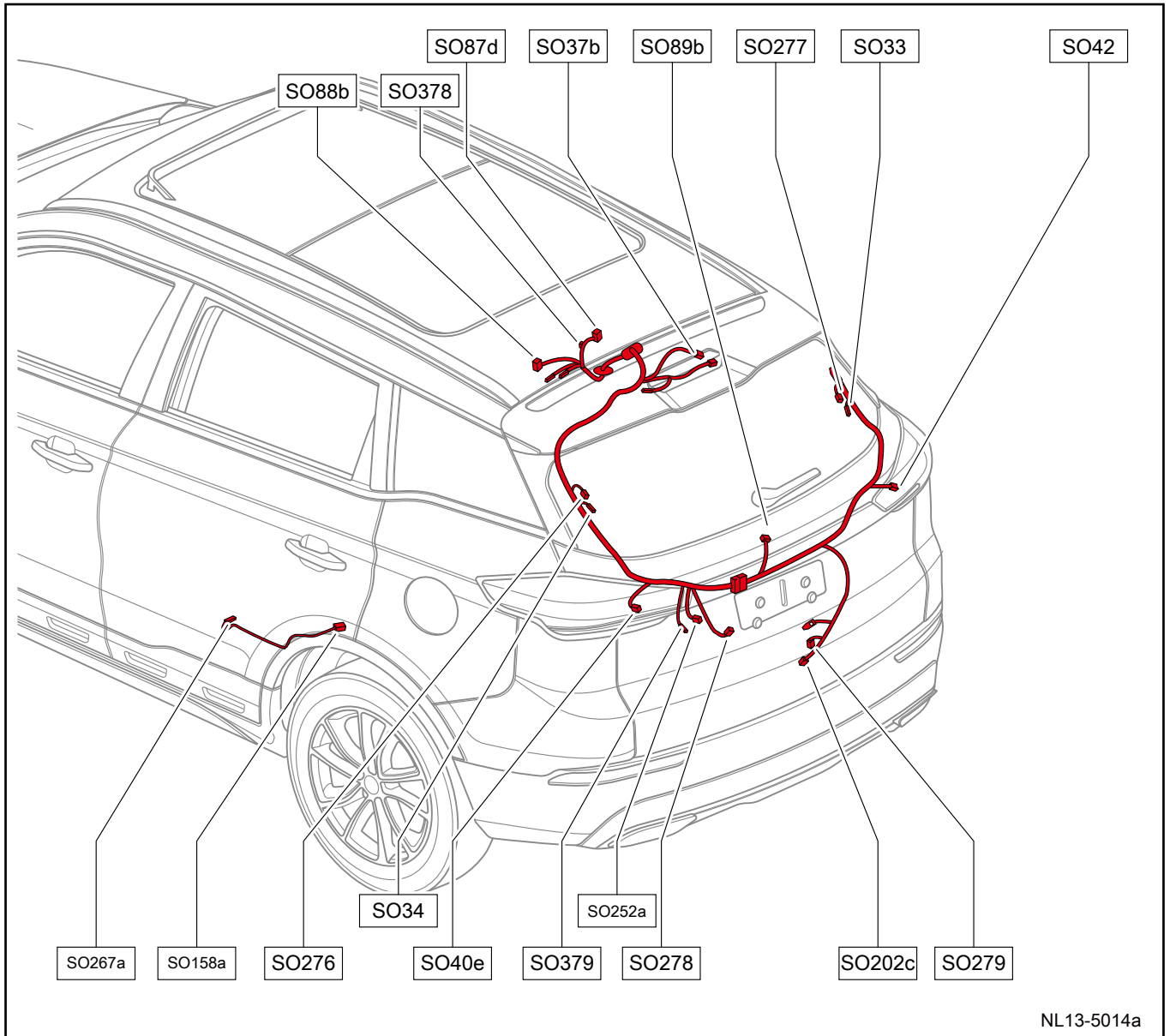
Layout of Floor Harness ( Part 1 )



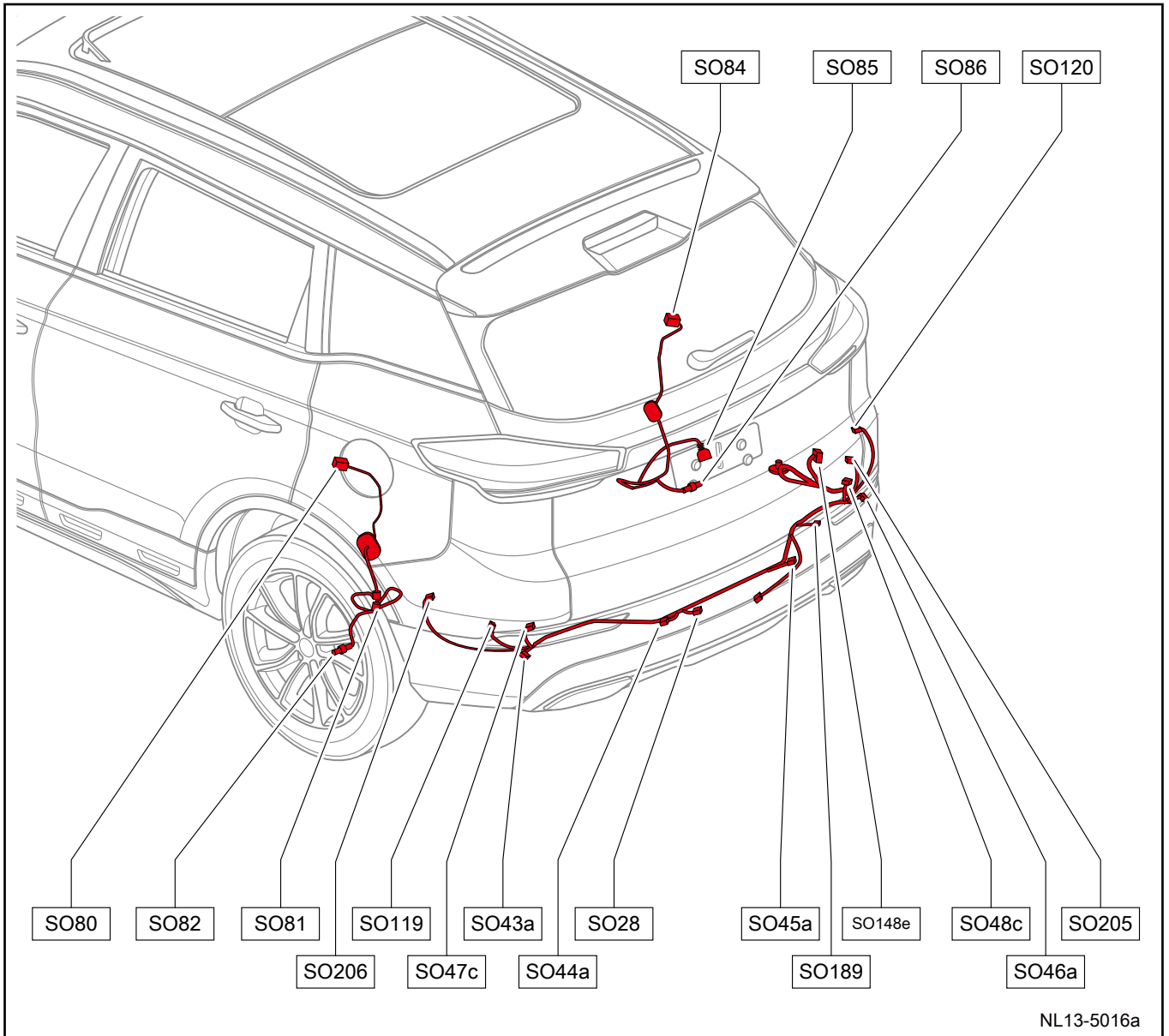
Layout of Floor Harness ( Part 2 )



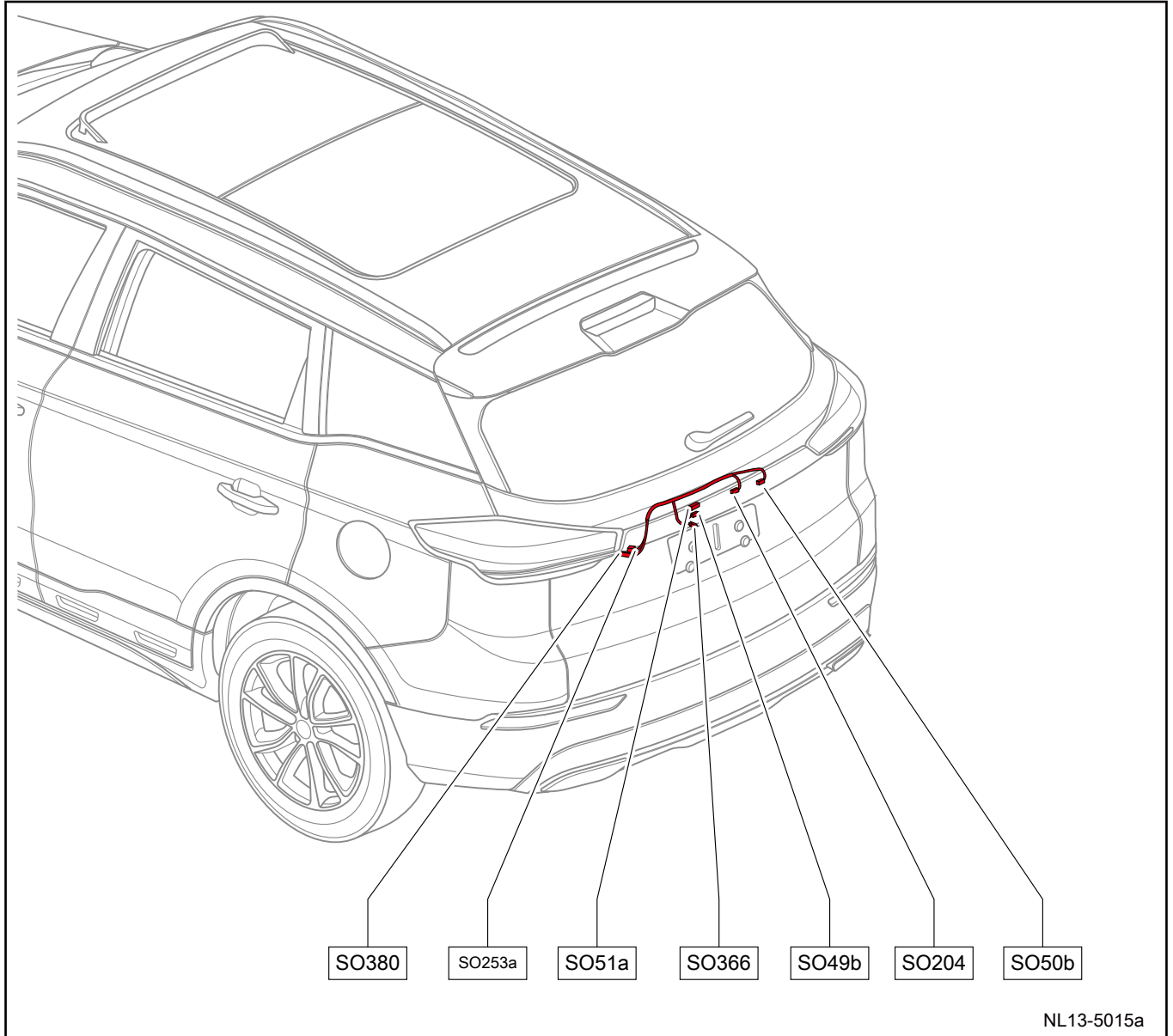
Layout of Floor Harness ( Part 3 )



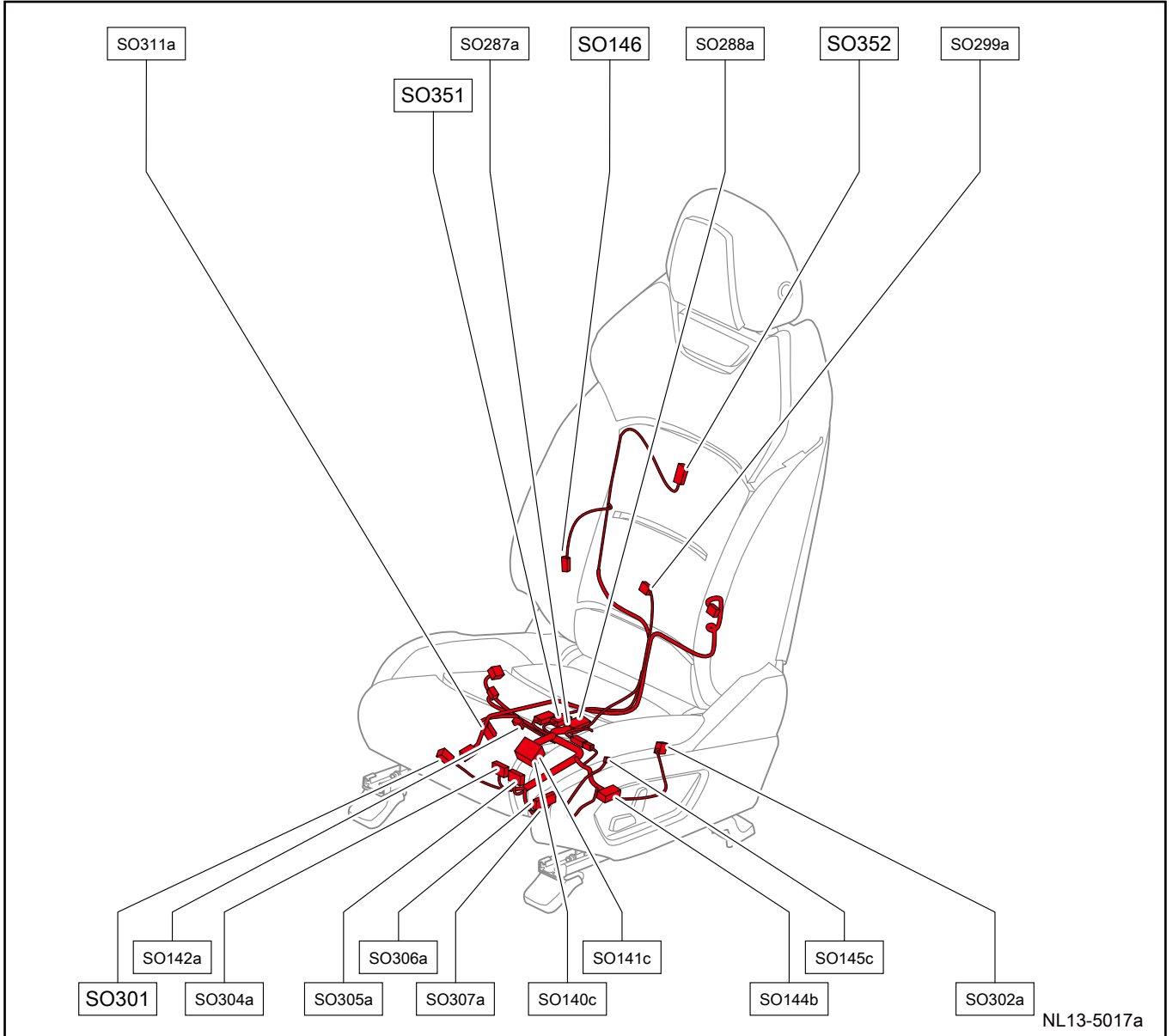
Layout of Floor Harness ( Part 4 )



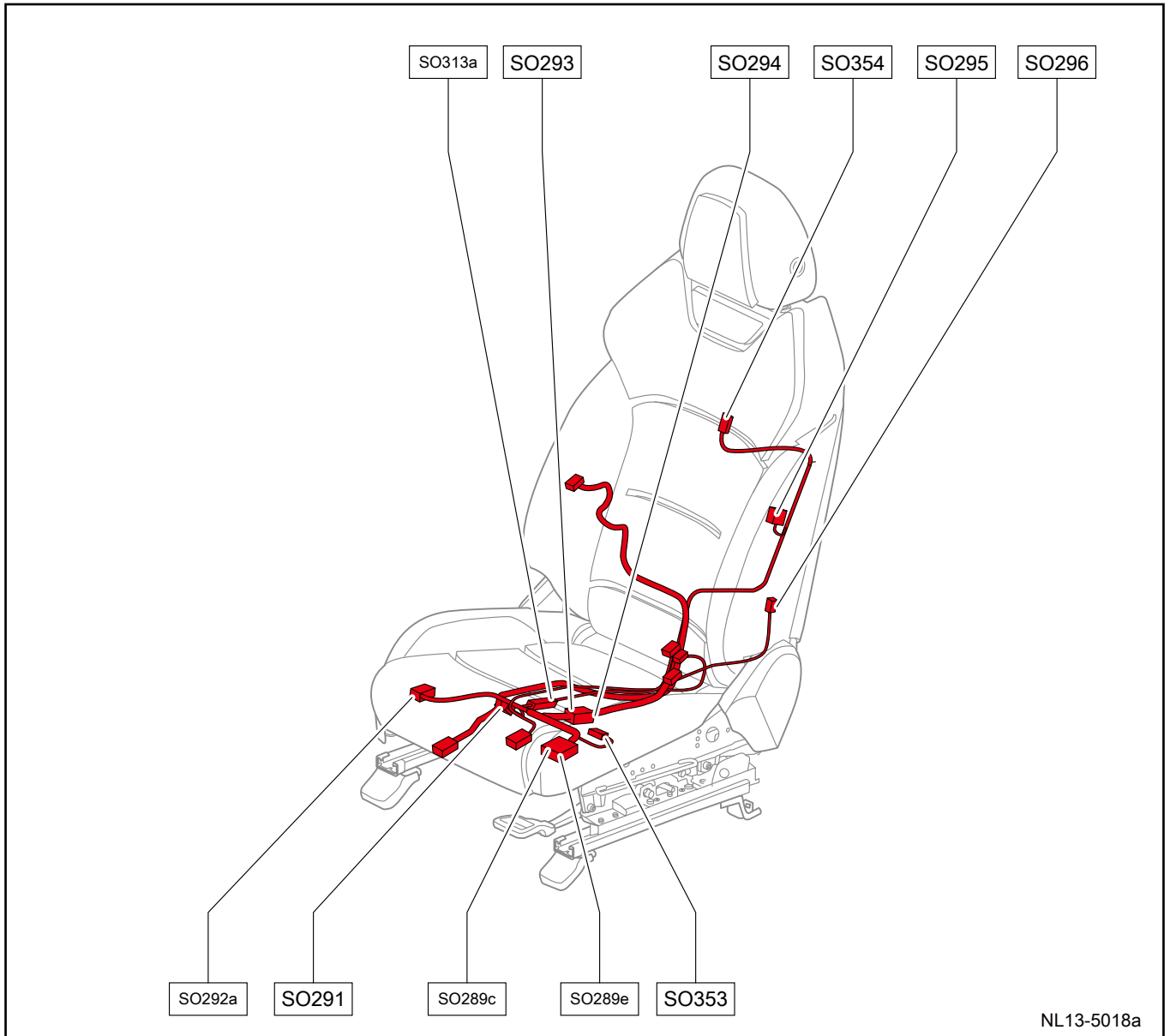
Layout of Floor Harness ( Part 5 )



Layout of Floor Harness ( Part 6 )



Layout of Floor Harness ( Part 7 )



## List of Floor Harness Connector

Harness connector	Name	Harness connector	Name
SO01a	Floor to instrument panel harness connector 1	SO185a	JC21 harness connector
SO02	Floor to instrument panel harness connector 2	SO186b	JC22 harness connector
SO03h	Floor to instrument panel harness connector 3	SO187a	JC23 harness connector
SO04b	Floor to instrument panel harness connector 4	SO188a	JC24 harness connector
SO06e	Floor to engine compartment harness connector	SO189	JC25 harness connector
SO09b	Floor to engine harness connector	SO195	Fuel tank leak detection module harness connector
SO11d	Floor to trunk door harness connector A	SO198	Tire pressure monitoring control module harness connector
SO12b	Floor to trunk door harness connector B	SO202c	Trunk door lock actuator motor harness connector
SO18d	Floor to left rear door harness connector	SO204	Trunk Door microswitch harness connector
SO20d	Floor to right rear door harness connector	SO205	Right rear side parking assistance sensor harness connector
SO28	Interior rear keyless antenna harness connector	SO206	Left rear side parking assistance sensor harness connector
SO30b	Fuel pump harness connector	SO225a	Subwoofer harness connector
SO33	Rear window defroster harness connector (+ )	SO232	Trunk door harness connector 1
SO34	Rear window defroster harness connector (- )	SO233	Trunk door harness connector 2
SO37b	High-mount brake light harness connector	SO234	Electric poles (Left) harness connector
SO39d	Left tail light harness connector A	SO235	Electric poles (Right) harness connector
SO40e	Left tail light harness connector B	SO236	Trunk compartment light-right harness connector
SO41d	Right tail light harness connector A	SO240	Left rear sound surround speakers harness connector
SO42	Right tail light harness connector B	SO241	Right rear sound surround speakers harness connector
SO43a	Left rear parking assistance sensor harness connector	SO252a	Trunk door to license light plate harness connector
SO44a	Left rear mid parking assistance sensor harness connector	SO253a	License light plate to trunk door harness connector
SO45a	Right rear mid parking assistance sensor harness connector	SO265	Rear accessory power outlet harness connector
SO46a	Right rear parking assistance sensor harness connector	SO266a	Transmission shift lever switch harness connector

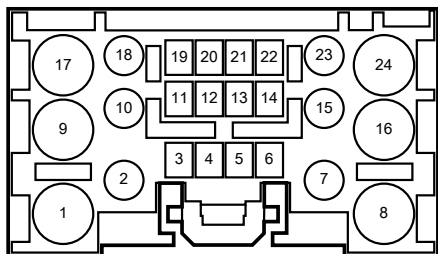
Harness connector	Name	Harness connector	Name
SO47c	Left rear fog light harness connector	SO267a	Leakage pressure sensor harness connector
SO48c	Right rear fog light harness connector	SO276	Left rear door anti-clip sensor harness connector
SO49b	Left rear license plate light harness connector	SO277	Right rear door anti-clip sensor harness connector
SO50b	Right rear license plate light harness connector	SO278	Self-suction motor harness connector
SO51a	Rear camera harness connector	SO279	Cabin trunk door close switch harness connector
SO60b	ACU harness connector A	SO280c	Floor to passenger seat harness connector 1
SO65	Driver side airbag harness connector	SO281	Floor to passenger seat harness connector 2
SO66	Passenger side airbag harness connector	SO283a	Intelligent torque manager control module harness connector
SO67b	Driver pretensioner seat belt harness connector	SO284	Fuel pump control module harness connector
SO68b	Passenger pretensioner seat belt harness connector	SO287a	Driver seat to driver back harness connector
SO69b	Driver seat belt buckle switch harness connector	SO288a	Driver back to driver seat harness connector
SO70b	Passenger seat belt buckle switch harness connector	SO289c	Passenger seat to floor harness connector 1
SO73	Pressure detection switch harness connector	SO289e	Passenger seat to floor harness connector
SO74	Left impact sensor harness connector	SO291	Passenger seat slide motor harness connector
SO75	Right impact sensor harness connector	SO292a	Power passenger seat switch harness connector
SO76	Floor to right brake caliper motor harness connector	SO293	Passenger seat to passenger back harness connector
SO77	Floor to left brake caliper motor harness connector	SO294	Passenger back to passenger seat harness connector
SO80	Left brake caliper motor to floor harness connector	SO295	Protocol switch harness connector
SO81	Left brake caliper motor harness connector	SO296	Passenger seat angle motors harness connector
SO82	Left rear wheel speed sensor harness connector	SO299a	Driver pneumatic lumbar support harness connector
SO84	Right brake caliper motor to floor harness connector	SO301	Driver seat front lifting motor harness connector
SO85	Right brake caliper motor harness connector	SO302a	Driver seat rear up and down motor harness connector

Harness connector	Name	Harness connector	Name
SO86	Right rear wheel speed sensor harness connector	SO304a	Driver seat memory module harness connector 1
SO87d	Trunk door to floor harness connector A	SO305a	Driver seat memory module harness connector 2
SO88b	Trunk door to floor harness connector B	SO306a	Driver seat memory module harness connector 3
SO89b	Rear windshield wiper motor harness connector	SO307a	Driver seat memory module harness connector 4
SO95c	Floor to driver seat harness connector 1	SO308	Parking assist control module harness connector 2
SO95e	Outside the driver seat adjustment switch harness connector	SO309	Parking assist control module harness connector 3
SO96b	Floor to driver seat harness connector 2	SO311a	Driver seat cushion heating harness connector
SO100	Intelligent electrical junction boxes harness connector C	SO313a	Passenger seat cushion heating harness connector
SO103	Left rear seat belt buckle switch harness connector	SO317	Rear seat heating module harness connector
SO104c	Right rear seat belt buckle switch harness connector	SO348	BMS module harness connector
SO108a	Left curtain airbag harness connector	SO348a	BMS module harness connector
SO109a	Right curtain airbag harness connector	SO351	Driver seat cushion fans harness connector
SO110a	Fuel tank filler cap actuator motor harness connector	SO352	Driver seat back fans harness connector
SO116a	Canister harness connector	SO353	Passenger seat cushion fans harness connector
SO119	Left rear millimeter-wave radar harness connector	SO354	Passenger seat back fans harness connector
SO120	Right rear millimeter-wave radar harness connector	SO357	Floor to engine compartment 360 camera harness connector
SO121c	Around view monitor module harness connector 1	SO358	Floor to Instrument panel 360 camera harness connector
SO125b	Rear mid seat belt buckle switch harness connector	SO360	Floor to driver door 360 camera harness connector
SO127d	Transmission shift lever switch harness connector 1	SO361	Floor to passenger door 360 camera harness connector
SO129a	Left rear pretensioner seat belt harness connector	SO362	Around view monitor module harness connector 2
SO130a	Right rear pretensioner seat belt harness connector	SO363	Around view monitor module harness connector 3
SO140c	Driver seat to floor harness connector 1	SO364	Around view monitor module harness connector 4
SO141c	Driver seat to floor harness connector 2	SO366	360 rear camera harness connector

Harness connector	Name	Harness connector	Name
SO142a	Driver seat slide motor harness connector	SO377	Floor to trunk door 360 camera harness connector
SO144b	Outside the driver seat adjustment switch harness connector	SO378	Trunk door to floor 360 camera harness connector
SO145c	Driver seat memory switch harness connector	SO379	Trunk door to license light plate 360 camera harness connector
SO146	Driver seat angle motors harness connector	SO380	License light plate to trunk door 360 camera harness connector
SO147e	Floor to rear harness connector	SO388	Antenna harness connector
SO148e	Rear to floor harness connector	SO389	Floor to Instrument panel antenna harness connector 3
SO149a	Parking assist control module harness connector	SO390	Floor to Instrument panel antenna harness connector 4
SO149c	Parking assist control module harness connector 1	SO391	Floor to Instrument panel antenna harness connector 5
SO157a	Floor to transfer the fuel tank leak harness connector	SO392	Floor to Instrument panel antenna harness connector 6
SO158a	Transfer the fuel tank leak to floor harness connector	SO419	Outside the driver seat adjustment switch harness connector
SO162	Power amplifier harness connector A	SO420	Driver seat heating module harness connector
SO163	Power amplifier harness connector B	SO421	Passenger seat heating module harness connector
SO164	Power amplifier harness connector C	-	-

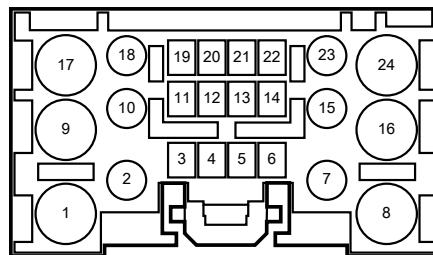
Floor harness terminals defined

SO01a Floor to instrument panel harness connector 1



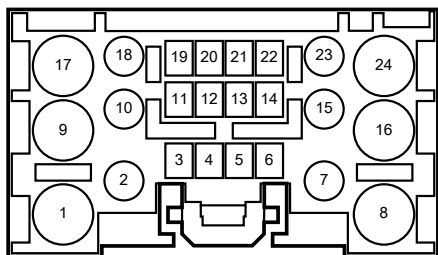
NL13-5242a

SO04b Floor to instrument panel harness connector 4



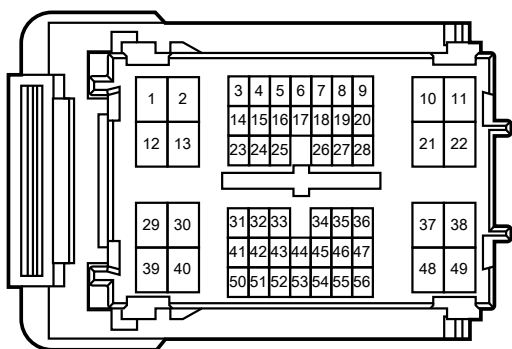
NL13-5245a

SO02 Floor to instrument panel harness connector 2



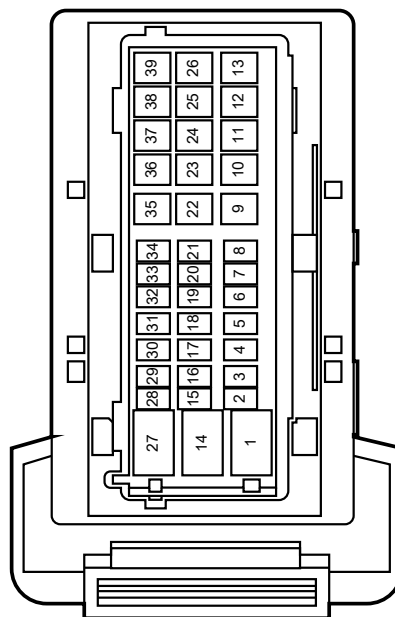
NL13-5243a

SO03h Floor to instrument panel harness connector 3

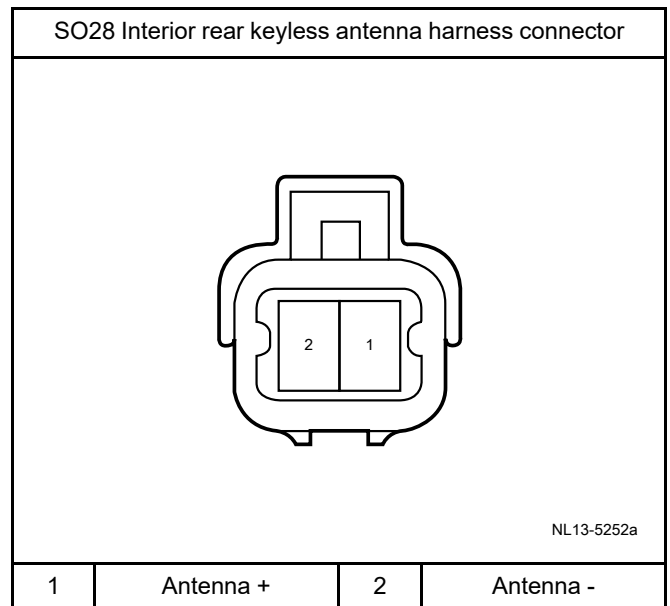
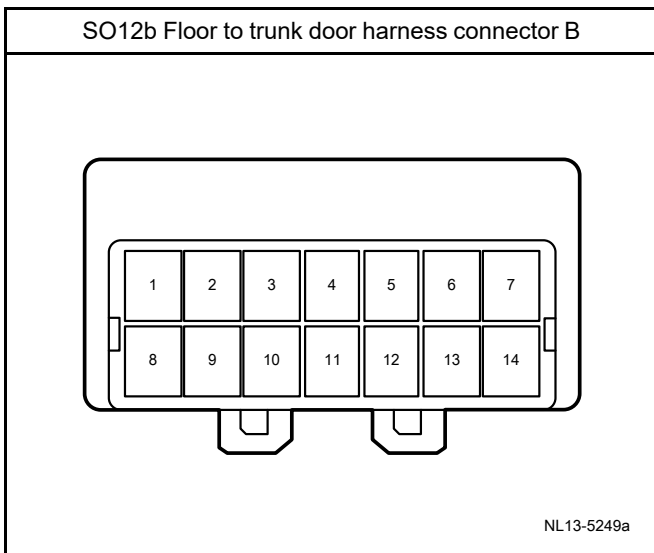
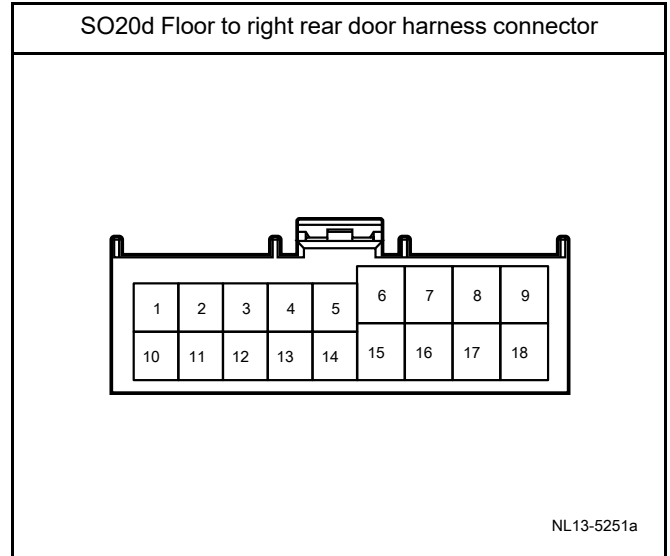
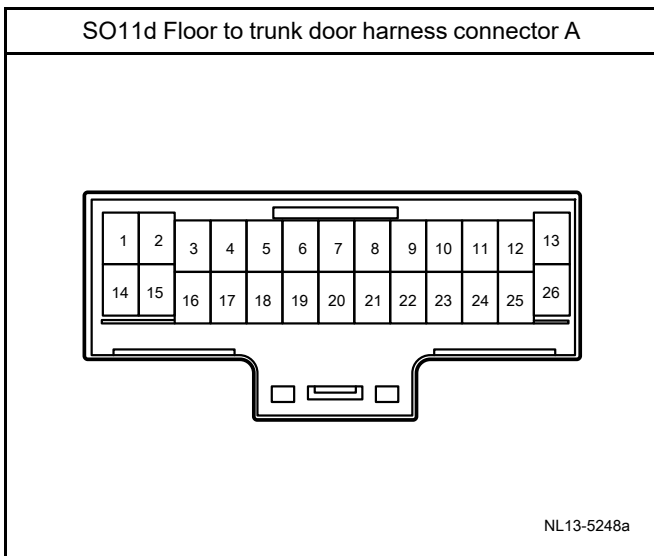
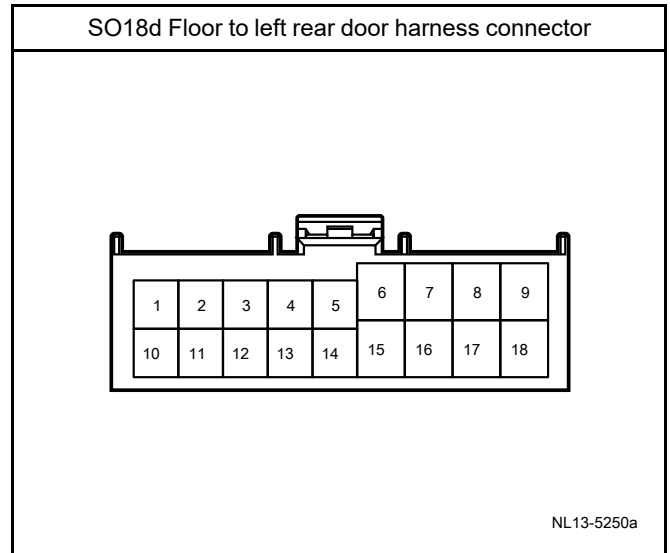
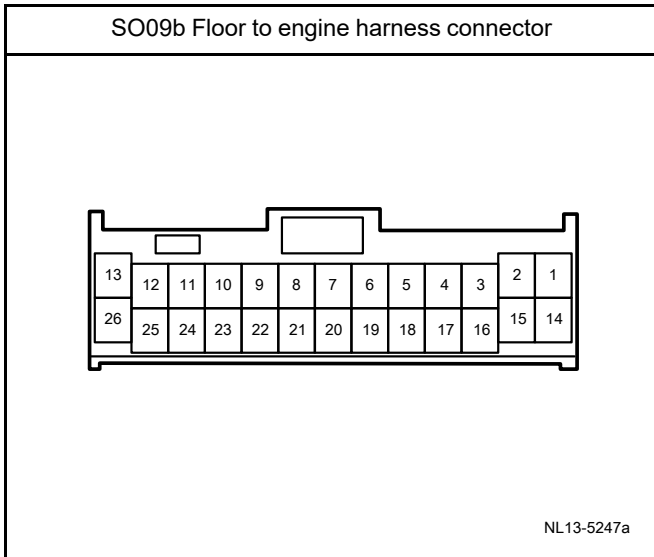


NL13-5244a

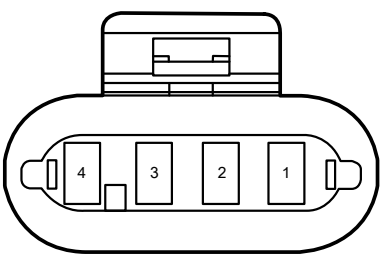
SO06e Floor to engine compartment harness connector



NL13-5246a



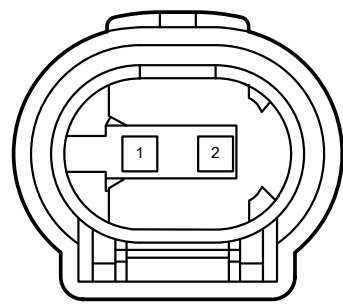
SO30b Fuel pump harness connector



NL13-5253a

1	Motor -	2	Level sensor -
3	Level sensor +	4	Motor +

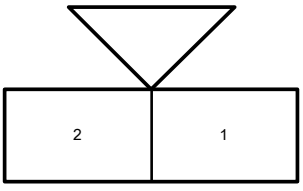
SO37b High-mount brake light harness connector



NL13-5256a

1	Grounding	2	Power supply
---	-----------	---	--------------

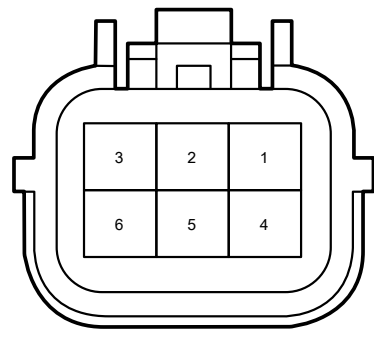
SO33 Rear window defroster harness connector (+ )



NL13-5254a

1	Rear window defroster +	2	Rear window defroster -
---	-------------------------	---	-------------------------

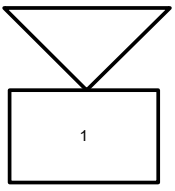
SO39d Left tail light harness connector A



NL13-5257a

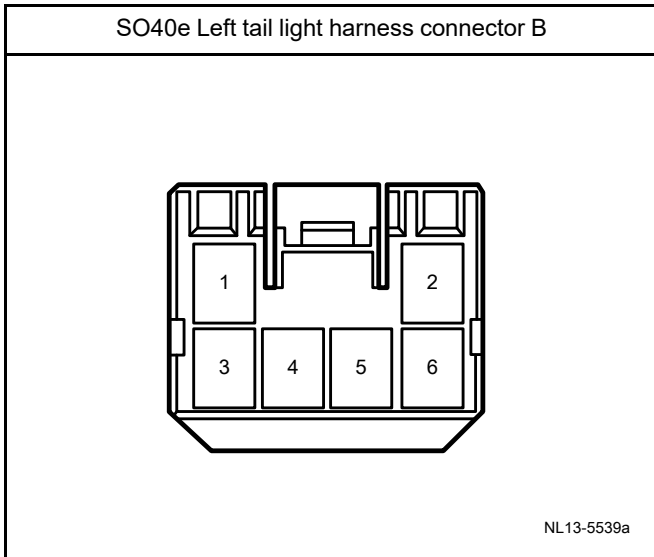
1	Position lamp power supply (body side)	2	Brake light power supply (body side)
3	Turn signal power supply (body side)	4	Turn signal fault feedback signal (body side)
5	-	6	Grounding

SO34 Rear window defroster harness connector (- )

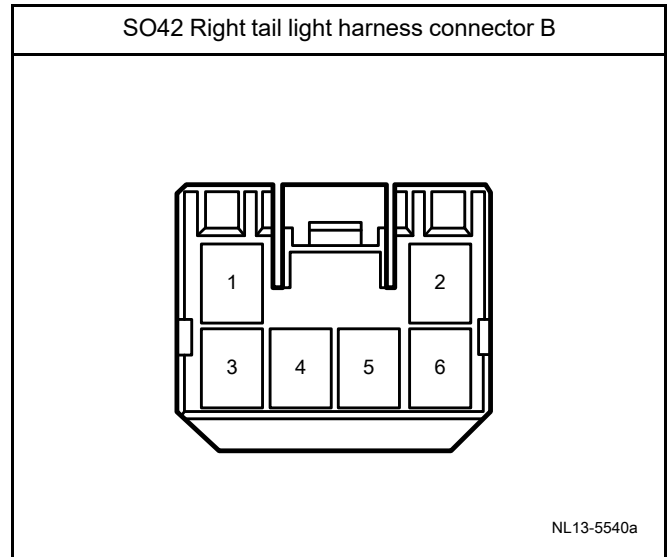


NL13-5255a

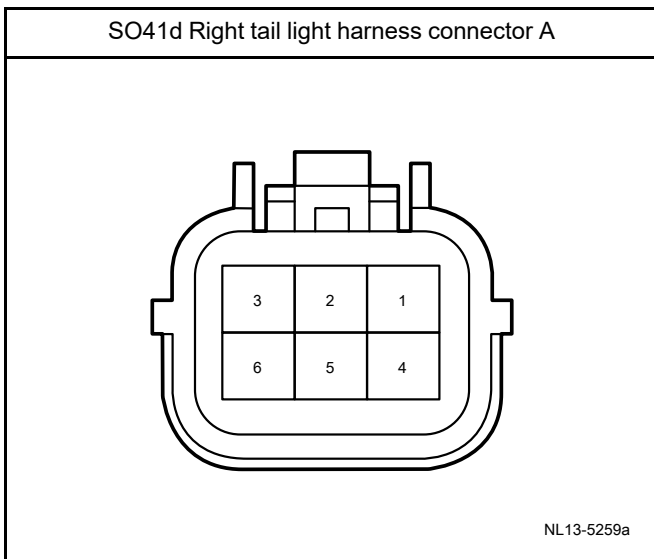
1	Heating grounding	-	-
---	-------------------	---	---



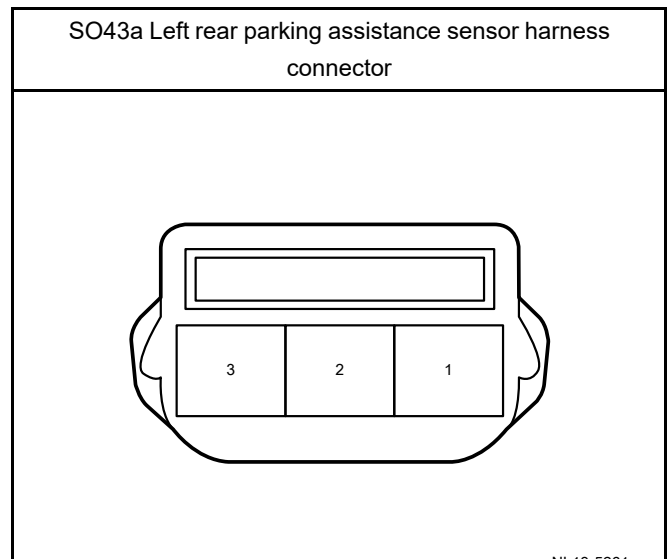
1	Position lamp power supply (trunk door side)	2	Brake light power supply (trunk door side)
3	Turn signal power supply (trunk door side)	4	Turn signal fault feedback signal (trunk door side)
5	-	6	Grounding



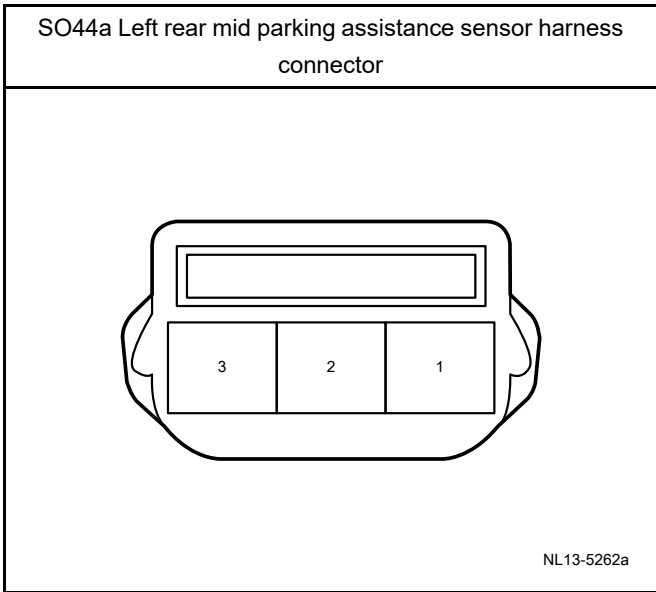
1	Position lamp power supply (trunk door side)	2	Brake light power supply (trunk door side)
3	Turn signal power supply (trunk door side)	4	Turn signal fault feedback signal (trunk door side)
5	-	6	Grounding



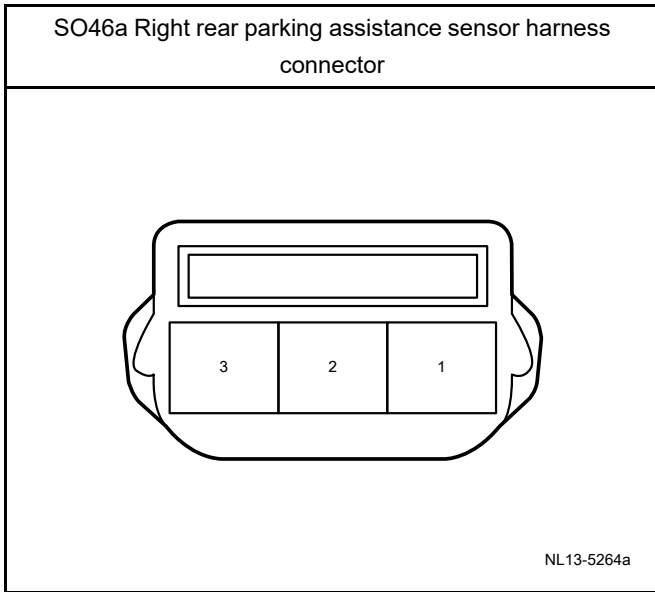
1	Position lamp power supply (body side)	2	Brake light power supply (body side)
3	Turn signal power supply (body side)	4	Turn signal fault feedback signal (body side)
5	-	6	Grounding



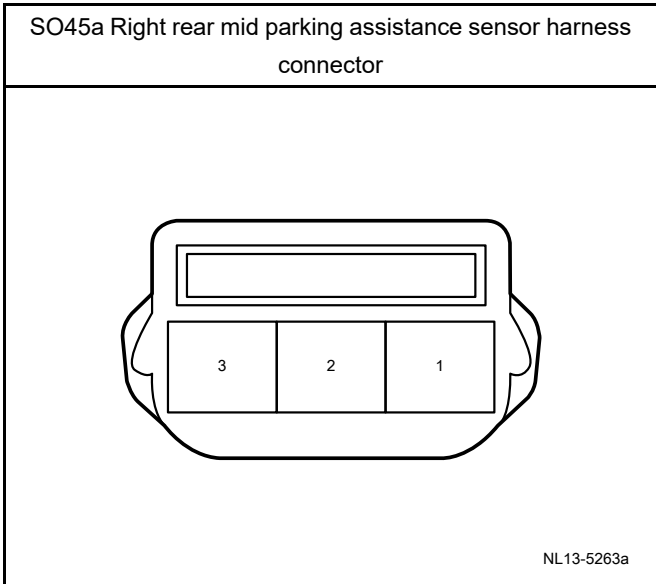
1	Power supply	2	Signal
3	Grounding	-	-



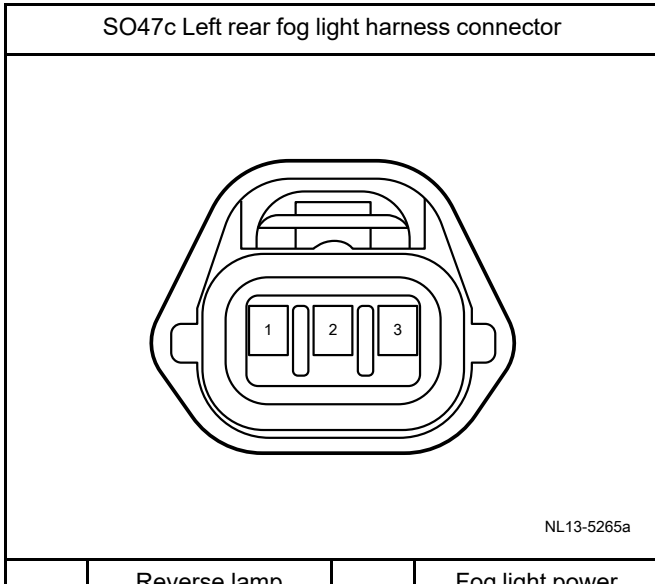
1	Power supply	2	Signal
3	Grounding	-	-



1	Power supply	2	Signal
3	Grounding	-	-

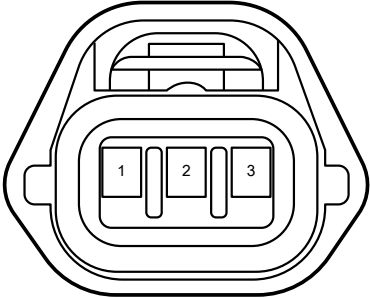


1	Power supply	2	Signal
3	Grounding	-	-



1	Reverse lamp power supply	2	Fog light power supply
3	Grounding	-	-

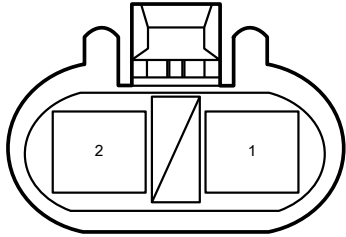
SO48c Right rear fog light harness connector



NL13-5266a

1	Reverse lamp power supply	2	Fog light power supply
3	Grounding	-	-

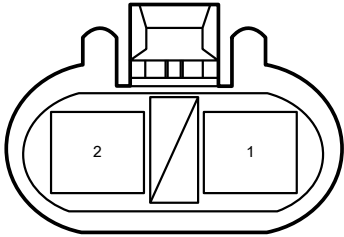
SO50b Right rear license plate light harness connector



NL13-5268a

1	Power supply	2	Grounding
---	--------------	---	-----------

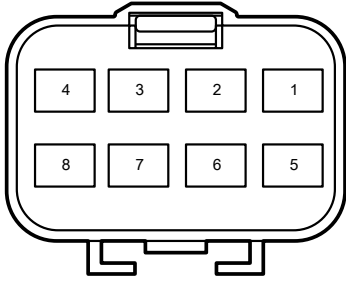
SO49b Left rear license plate light harness connector



NL13-5267a

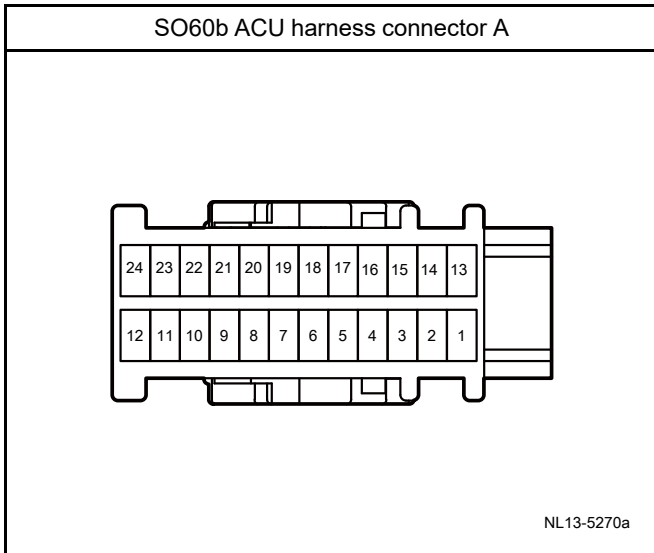
1	Power supply	2	Grounding
---	--------------	---	-----------

SO51a Rear camera harness connector

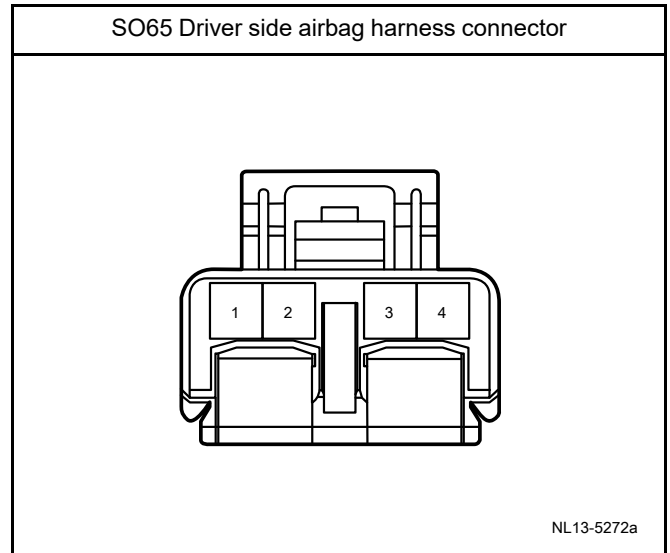


NL13-5269a

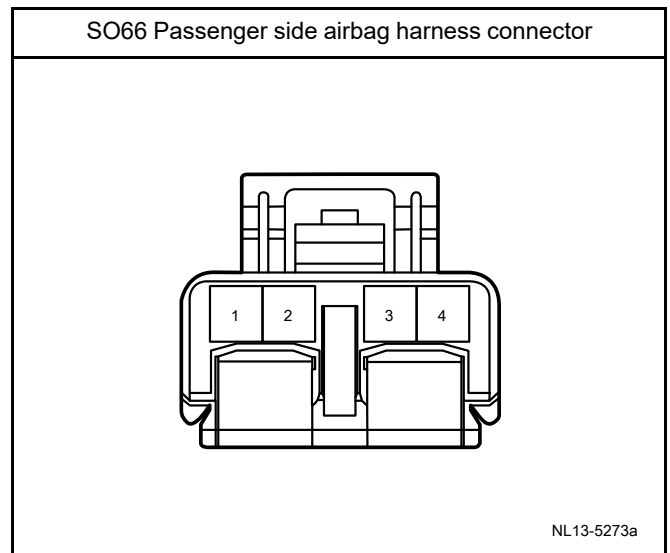
1	-	2	Power supply
3	Grounding	4	-
5	-	6	Video signal +
7	Video signal -	8	-



1	-	2	-
3	Rear seat belt buckle switch signal	4	Right rear seat belt lock switch signal
5	Pretensioner seat belt-right rear signal -	6	Pretensioner seat belt-right rear signal +
7	Pretensioner seat belt-left Rear signal +	8	Pretensioner seat belt-left Rear signal -
9	Right impact sensor +	10	Right impact sensor -
11	Left impact sensor -	12	Left impact sensor +
13	-	14	-
15	-	16	-
17	Front passenger side airbag signal -	18	Front passenger side airbag signal +
19	Driver side airbag signal +	20	Driver side airbag signal -
21	Right curtain airbag signal -	22	Right curtain airbag signal +
23	Left curtain airbag signal +	24	Left curtain airbag signal -

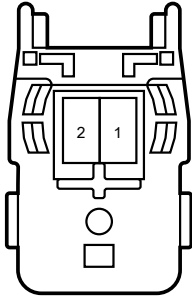


1	Signal +	2	Signal -
3	Grounding	4	-



1	Signal +	2	Signal -
3	Grounding	4	-

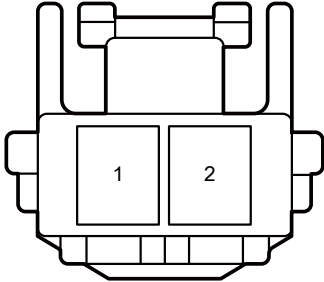
SO67b Driver pretensioner seat belt harness connector



NL13-5274a

1	Signal +	2	Signal -
---	----------	---	----------

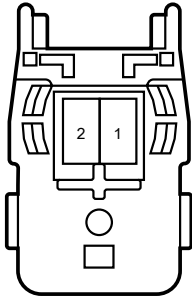
SO70b Passenger seat belt buckle switch harness connector



NL13-5277a

1	Signal +	2	Signal -
---	----------	---	----------

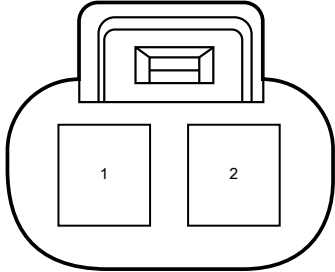
SO68b Passenger pretensioner seat belt harness connector



NL13-5275a

1	Signal +	2	Signal -
---	----------	---	----------

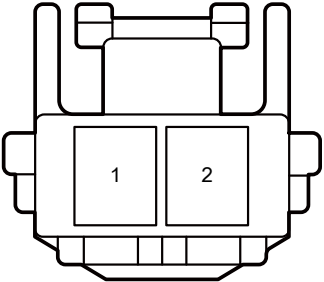
SO73 Pressure detection switch harness connector



NL13-5278a

1	Signal -	2	Signal +
---	----------	---	----------

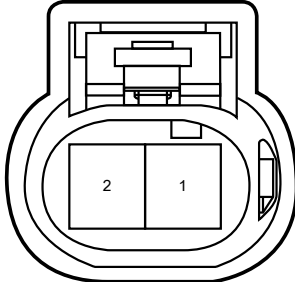
SO69b Driver seat belt buckle switch harness connector



NL13-5276a

1	Signal +	2	Signal -
---	----------	---	----------

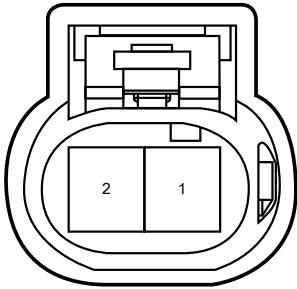
SO74 Left impact sensor harness connector



NL13-5279a

1	Signal +	2	Signal -
---	----------	---	----------

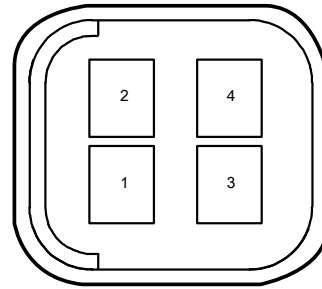
SO75 Right impact sensor harness connector



NL13-5280a

1	Signal +	2	Signal -
---	----------	---	----------

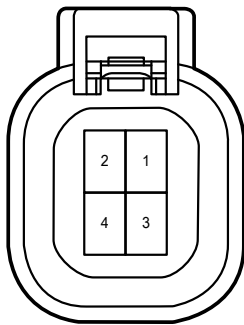
SO80 Left brake caliper motor to floor harness connector



NL13-5283a

1	2	3	4
---	---	---	---

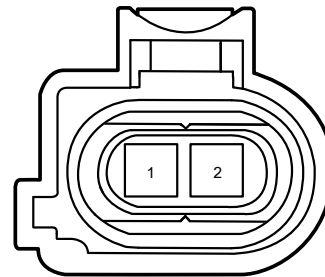
SO76 Floor to right brake caliper motor harness connector



NL13-5281a

1	2	3	4
---	---	---	---

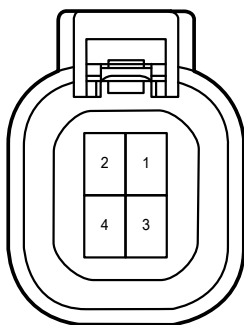
SO81 Left brake caliper motor harness connector



NL13-5284a

1	Motor +	2	Motor -
---	---------	---	---------

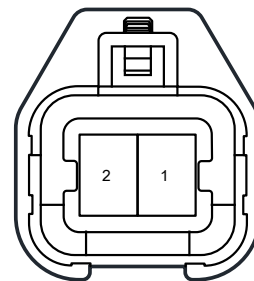
SO77 Floor to left brake caliper motor harness connector



NL13-5282a

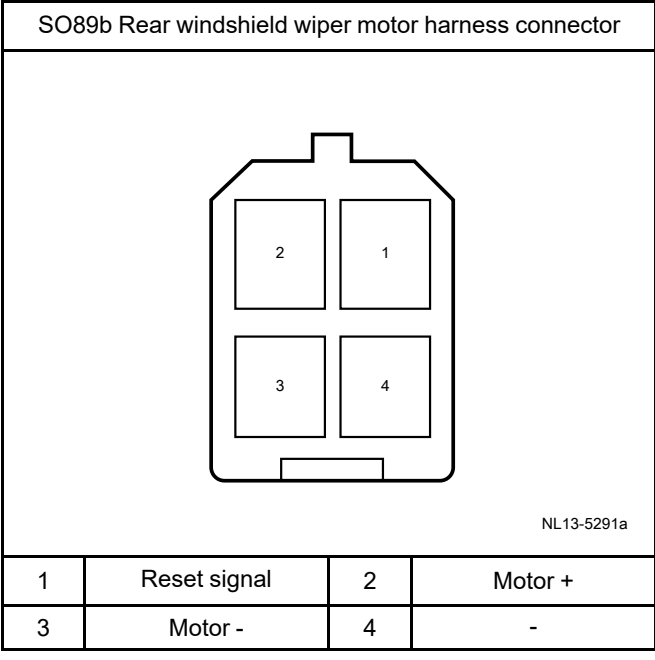
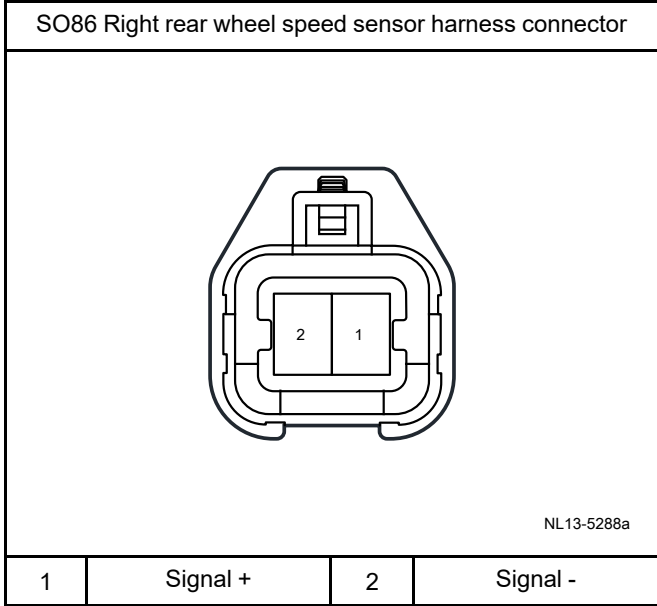
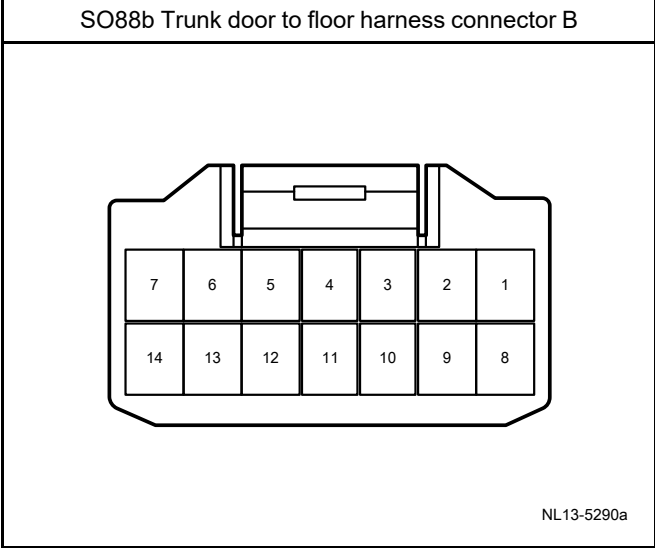
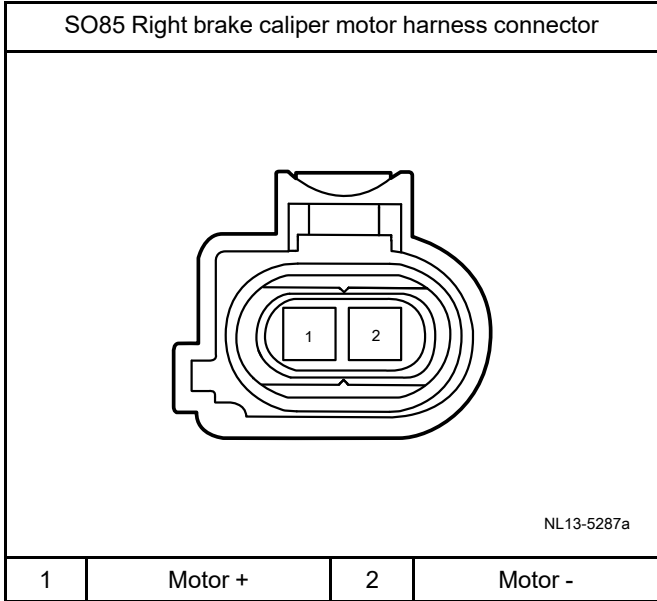
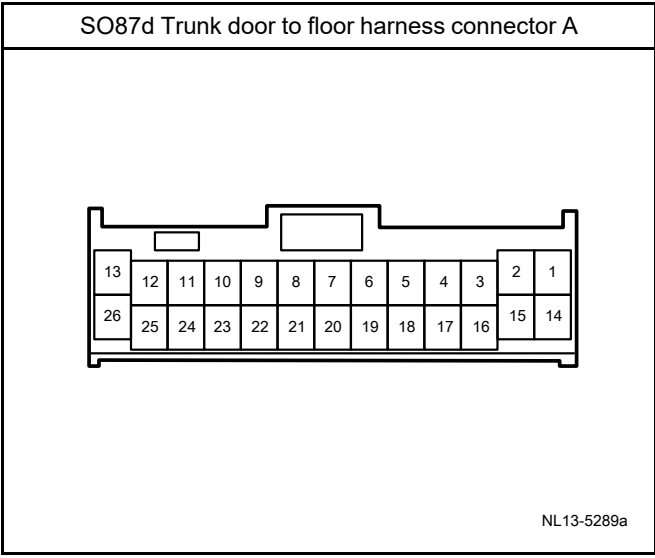
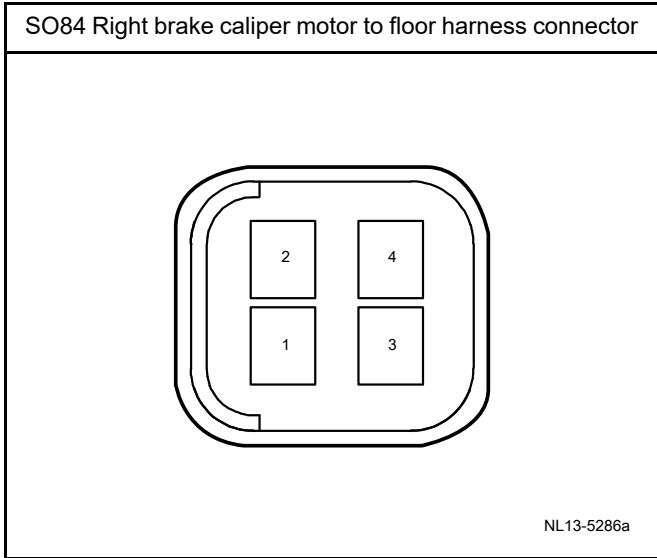
1	2	3	4
---	---	---	---

SO82 Left rear wheel speed sensor harness connector

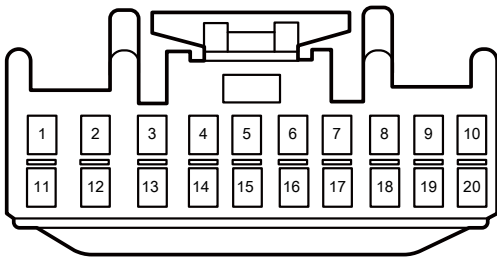


NL13-5285a

1	Signal +	2	Signal -
---	----------	---	----------

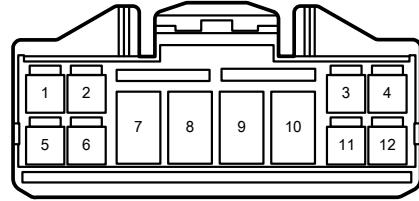


SO95c Floor to driver seat harness connector 1



NL13-5294a

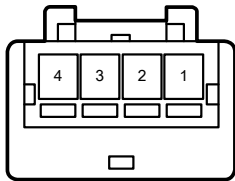
SO100 Intelligent electrical junction boxes harness connector C



NL13-5296a

1	-	2	-
3	IG1 power supply	4	-
5	-	6	-
7	B+ power supply	8	B+ power supply
9	-	10	ACC power supply
11	-	12	IG2 power supply

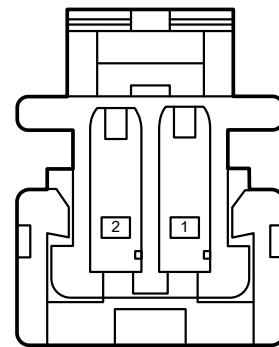
SO95e Outside the driver seat adjustment switch harness connector



NL13-5634a

1	ALT power supply	2	-
3	-	4	Grounding

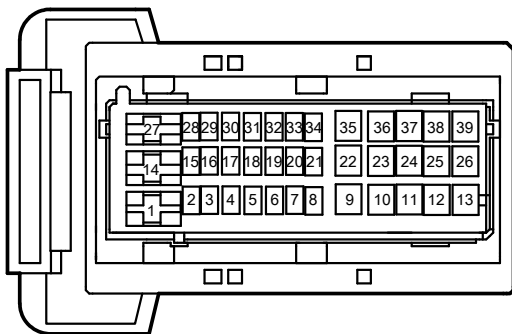
SO103 Left rear seat belt buckle switch harness connector



NL13-5297a

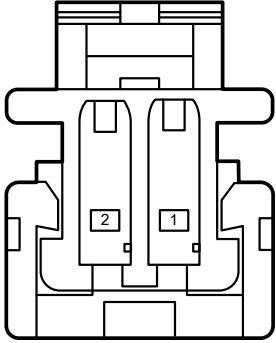
1	Signal +	2	Signal -
---	----------	---	----------

SO96b Floor to driver seat harness connector 2



NL13-5534a

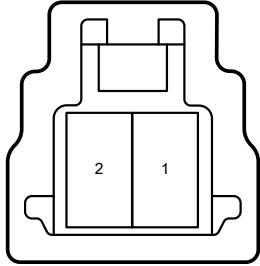
SO104c Right rear seat belt buckle switch harness connector



NL13-5298a

1	Signal +	2	Signal -
---	----------	---	----------

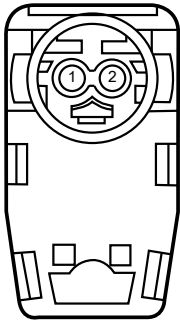
SO110a Fuel tank filler cap actuator motor harness connector



NL13-5301a

1	Lock signal	2	Unlocking signal
---	-------------	---	------------------

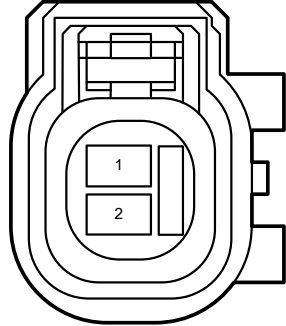
SO108a Left curtain airbag harness connector



NL13-5299a

1	Signal +	2	Signal -
---	----------	---	----------

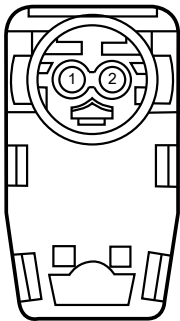
SO116a Canister harness connector



NL13-5302a

1	Carbon canister +	2	Carbon canister -
---	-------------------	---	-------------------

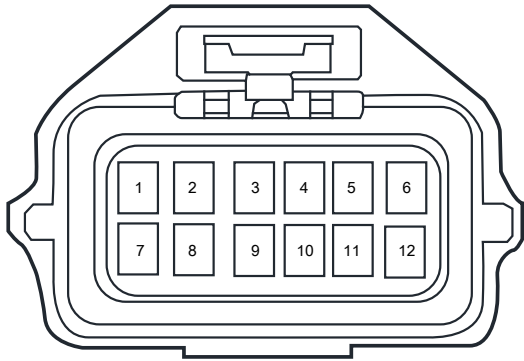
SO109a Right curtain airbag harness connector



NL13-5300a

1	Signal +	2	Signal -
---	----------	---	----------

SO119 Left rear millimeter-wave radar harness connector

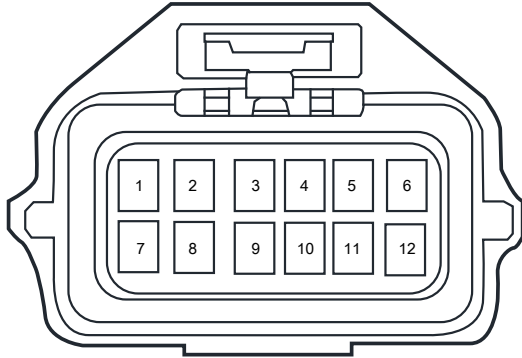


NL13-5421a

1	-	2	-
3	P CAN-H	4	-

5	CS CAN-H	6	B+ power supply
7	-	8	Grounding
9	Grounding	10	P CAN-L
11	IG2 power supply	12	CS CAN-L

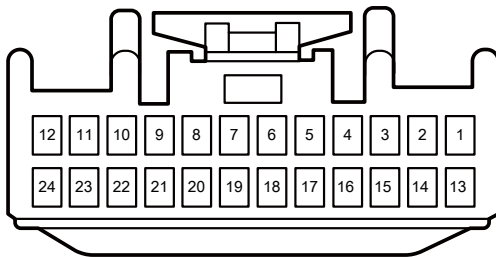
SO120 Right rear millimeter-wave radar harness connector



NL13-5422a

1	-	2	-
3	P CAN-H	4	-
5	CS CAN-H	6	B+ power supply
7	-	8	-
9	Grounding	10	P CAN-L
11	IG2 power supply	12	CS CAN-L

SO121c Around view monitor module harness connector 1

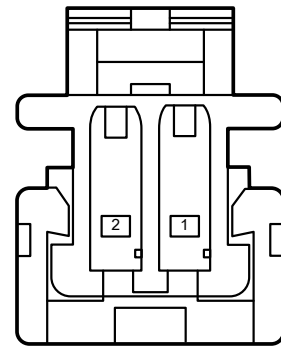


NL13-5303a

1	B+ power supply	2	ACC power supply
3	-	4	-
5	Panoramic image work LED +	6	Automatic parking work LED +

7	360 panoramic image/Automatic parking switch grounding	8	-
9	Front passenger blind spot monitoring LED +	10	Front passenger blind spot monitoring LED -
11	CS CAN-L	12	CS CAN-H
13	-	14	-
15	-	16	Holographic imaging module grounding
17	Panoramic image switch signal output	18	Automatic parking work switch signal input
19	-	20	-
21	Driver blind spot monitoring LED +	22	Driver blind spot monitoring LED -
23	-	24	-

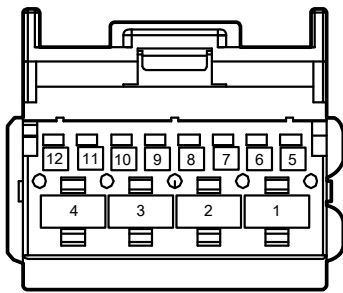
SO125b Rear mid seat belt buckle switch harness connector



NL13-5304a

1	Signal +	2	Signal -
---	----------	---	----------

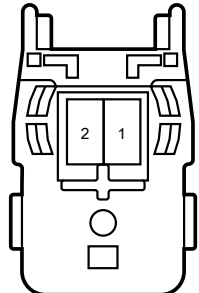
SO127d Transmission shift lever switch harness connector  
1



NL13-5305a

1	B+ power supply	2	B+ power supply
3	Grounding	4	Grounding
5	-	6	-
7	IG1 power supply	8	-
9	PT CAN-L	10	PT CAN-H
11	-	12	-

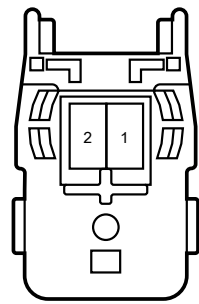
SO129a Left rear pretensioner seat belt harness connector



NL13-5306a

1	Signal +	2	Signal -
---	----------	---	----------

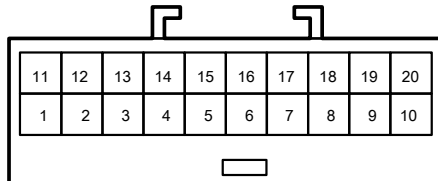
SO130a Right rear pretensioner seat belt harness connector



NL13-5307a

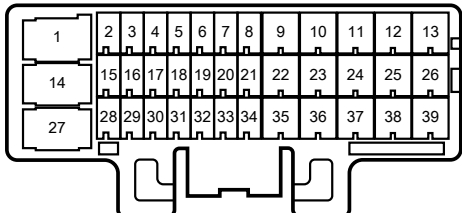
1	Signal +	2	Signal -
---	----------	---	----------

SO140c Driver seat to floor harness connector 1

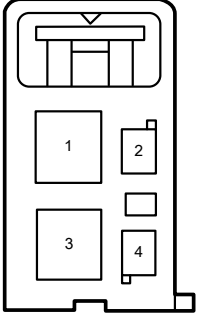


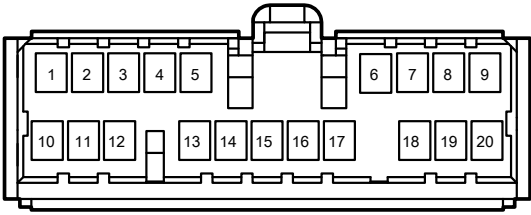
NL13-5308a

SO141c Driver seat to floor harness connector 2

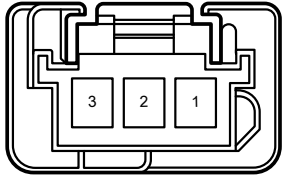


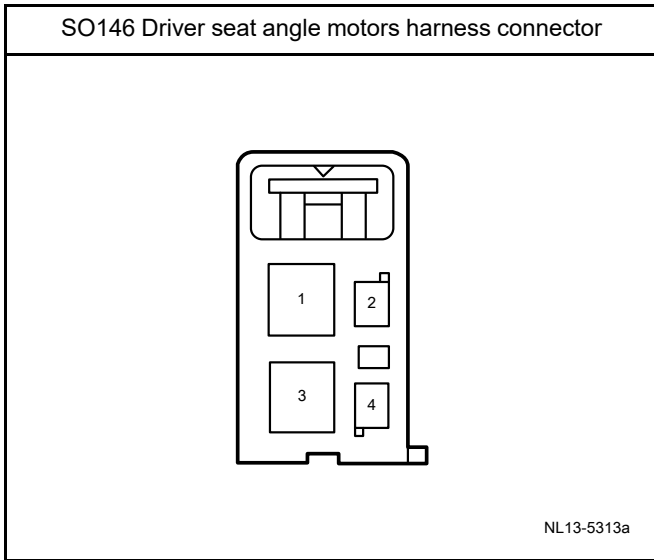
NL13-5451a

SO142a Driver seat slide motor harness connector			
			
NL13-5449a			
1	Slide motor backward	2	sensor grounding
3	Slide motor forward	4	Sensor power supply

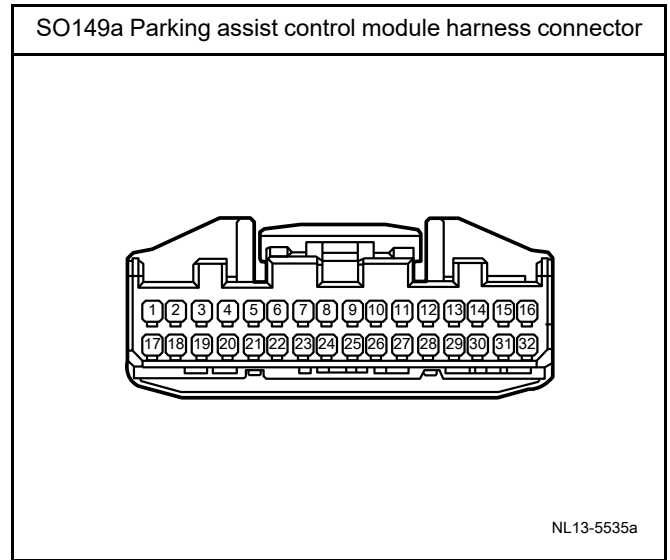
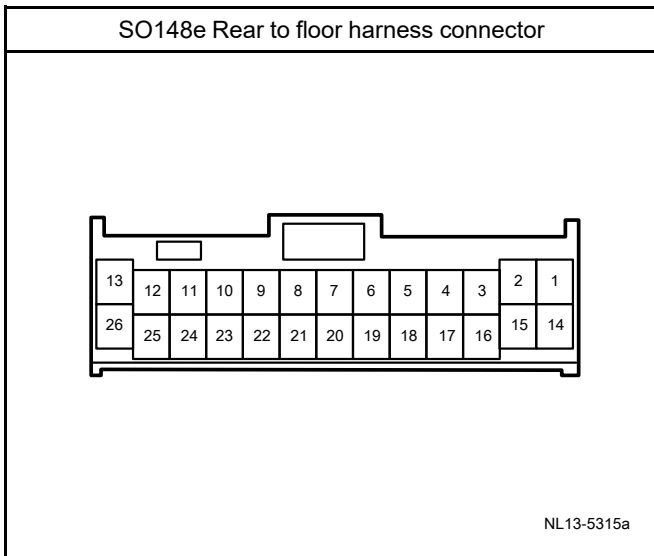
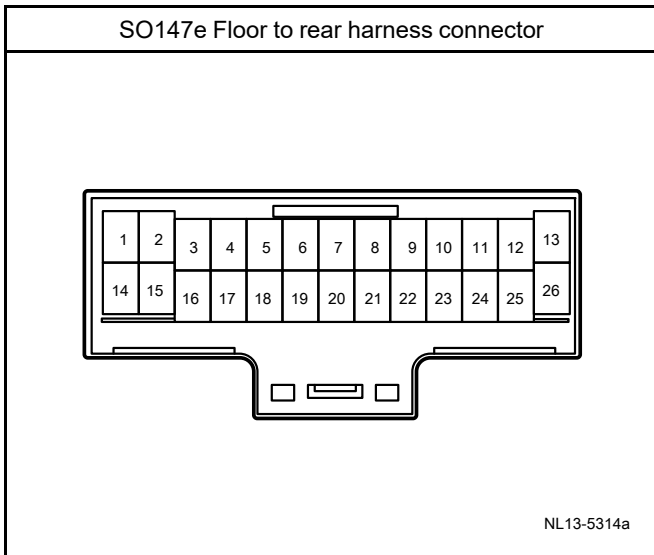
SO144b Outside the driver seat adjustment switches harness connector			
			
NL13-5312a			
1	Driver pneumatic lumbar support full inflation adjustment	2	-
3	Driver pneumatic lumbar support full deflation adjustment	4	-
5	-	6	Grounding/ALT Power supply (With Driving in six directions adjustment )
7	-	8	Driver seat horizontal backward adjustment

9	Grounding	10	Driver pneumatic lumbar support up inflation and down deflation regulation
11	Driver pneumatic lumbar support up deflation and down inflation regulation	12	Grounding
13	Battery power supply	14	Driver lift motor up and down adjustment
15	Driver seat backrest angle forward adjustment	16	Driver seat backrest angle backward adjustment
17	Driver seat horizontal forward adjustment	18	Diver front lift motor lowering adjustment
19	Driver rear lift motor lowering adjustment	20	Driver rear lift motor rising adjustment

SO145c Driver seat memory switch harness connector			
			
NL13-5448a			
1	Switch power supply	2	Potential signal
3	Switch signal	-	-



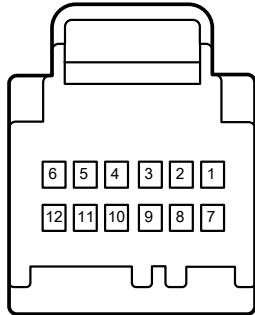
1	Backward adjustment	2	Sensor power supply
3	Forward adjustment	4	sensor grounding



1	Front parking assistance sensor power supply	2	Side parking assistance sensor-left front signal
3	Left front parking assistance sensor signal	4	Parking assist work indicator
5	Rear parking assistance sensor power supply	6	Right rear side parking assistance sensor signal
7	Left rear parking assistance sensor signal	8	Left front mid parking assistance sensor signal
9	CS CAN-H	10	-
11	-	12	-
13	-	14	Work led
15	-	16	IG2 power supply
17	Front parking assistance sensor grounding	18	Side parking assistance sensor-right front signal
19	Right front parking assistance sensor signal	20	Right front mid parking assistance sensor signal
21	Rear parking assistance sensor grounding	22	Left rear side parking assistance sensor signal
23	Right rear parking assistance sensor signal	24	Right rear mid parking assistance sensor signal
25	CS CAN-L	26	-
27	-	28	Automatic parking switch

29	-	30	-
31	-	32	Grounding

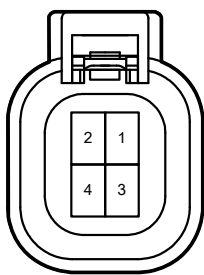
SO149c Parking assist control module harness connector1



NL13-5316a

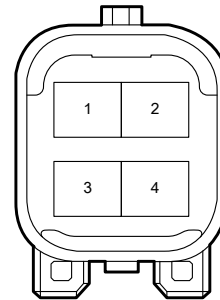
1	Parking assist switch signal	2	-
3	-	4	Parking work led
5	-	6	-
7	IG2 power supply	8	-
9	CS CAN-H	10	CS CAN-L
11	-	12	Grounding

SO157a Floor to transfer the fuel tank leak harness connector



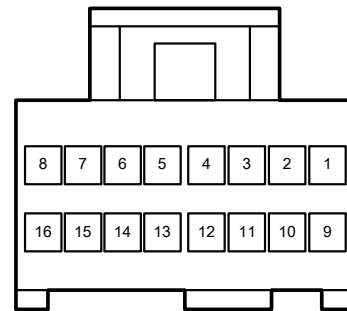
NL13-5592a

SO158a Transfer the fuel tank leak to floor harness connector



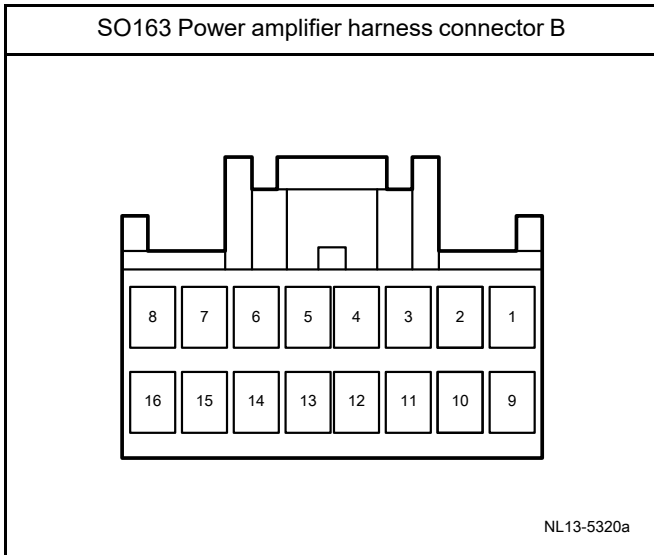
NL13-5318a

SO162 Power amplifier harness connector A

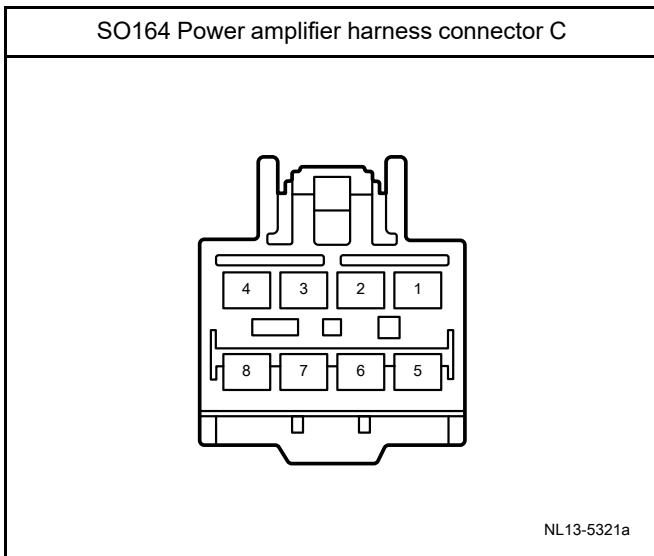


NL13-5319a

1	Driver side door speaker +	2	Front passenger side door speaker +
3	Left rear door speaker +	4	Right rear door speaker +
5	-	6	-
7	-	8	-
9	Driver side door speaker -	10	Front passenger side door speaker -
11	Left rear door speaker -	12	Right rear door speaker -
13	-	14	-
15	-	16	-

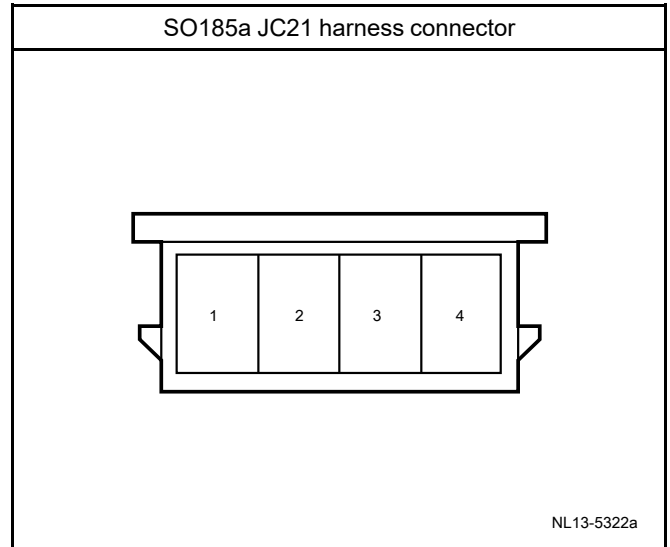


1	Left rear door speaker +	2	Right rear door speaker +
3	Right rear door speaker -	4	Mid-range surround speaker -
5	Mid-range surround speaker +	6	Mid-range speaker +
7	Mid-range speaker -	8	-
9	Left rear door speaker -	10	-
11	-	12	-
13	AMP PWM control input	14	-
15	AMP ACC control input	16	-

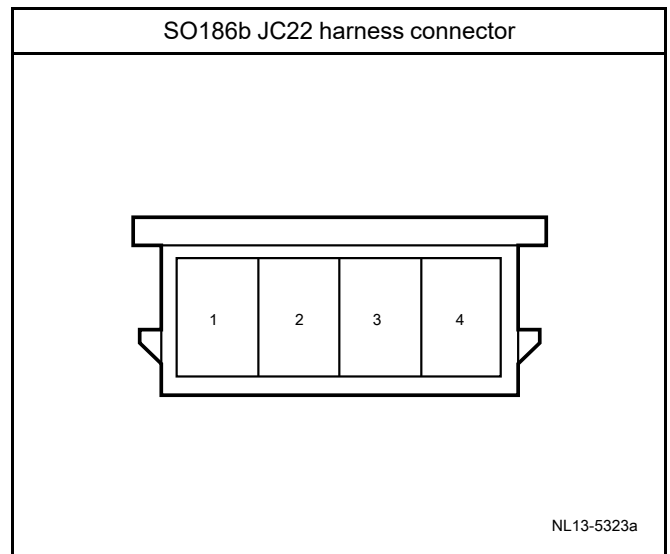


1	Front passenger side door speaker -	2	Subwoofer +
3	Driver side door speaker +	4	ALT power supply

5	Front passenger side door speaker +	6	Subwoofer -
7	Driver side door speaker -	8	Grounding

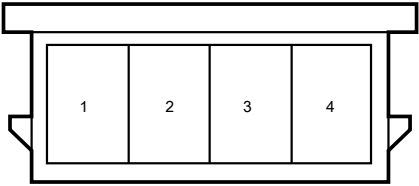


1	CF CAN-L	2	CF CAN-L
3	CF CAN-L	4	-



1	CF CAN-H	2	CF CAN-H
3	CF CAN-H	4	-

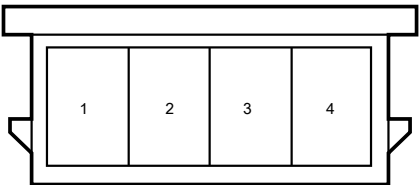
SO187a JC23 harness connector



NL13-5324a

1	CS CAN-H	2	-
3	CS CAN-H	4	CS CAN-H

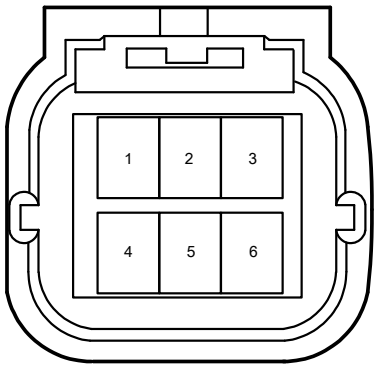
SO188a JC24 harness connector



NL13-5325a

1	CS CAN-L	2	-
3	CS CAN-L	4	CS CAN-L

SO189 JC25 harness connector

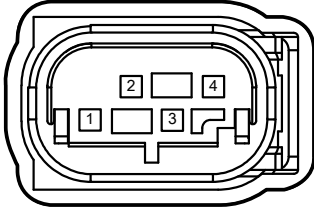


NL13-5432a

1	CS CAN-H	2	CS CAN-H
---	----------	---	----------

3	CS CAN-H	4	CS CAN-L
5	CS CAN-L	6	CS CAN-L

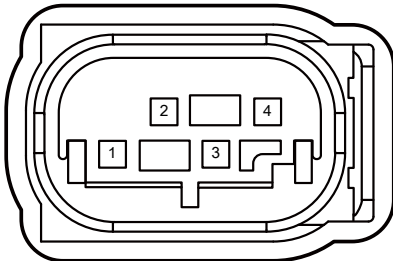
SO195 Fuel tank leak detection module harness connector



NL13-5593a

1	Leak detection-pump	2	Leak detection-heating
3	Leak detection-solenoid valve	4	Power supply

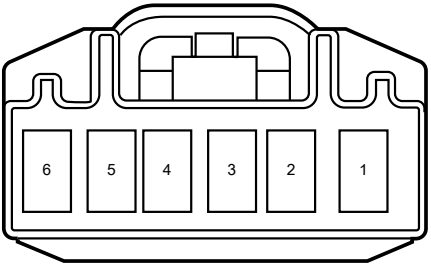
SO198 Tire pressure monitoring control module harness connector



NL13-5326a

1	B+ power supply	2	Grounding
3	CF CAN-H	4	CF CAN-L

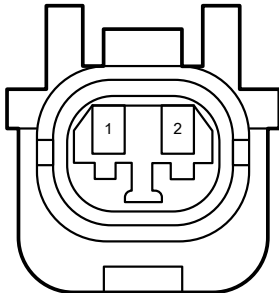
SO202c Trunk door lock actuator motor harness connector



NL13-5327a

1	Trunk door initial position signal	2	Trunk door closing secondary signal
3	Trunk door closing main signal	4	Trunk door switch input
5	Grounding	6	Trunk door unlocking

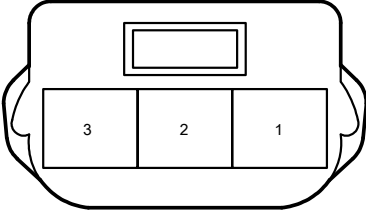
SO204 Trunk Door microswitch harness connector



NL13-5328a

1	Switch +	2	Switch -
---	----------	---	----------

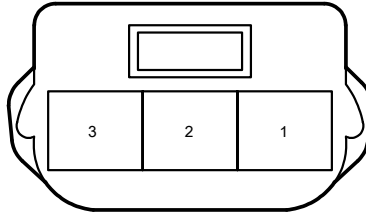
SO205 Right rear side parking assistance sensor harness connector



NL13-5423a

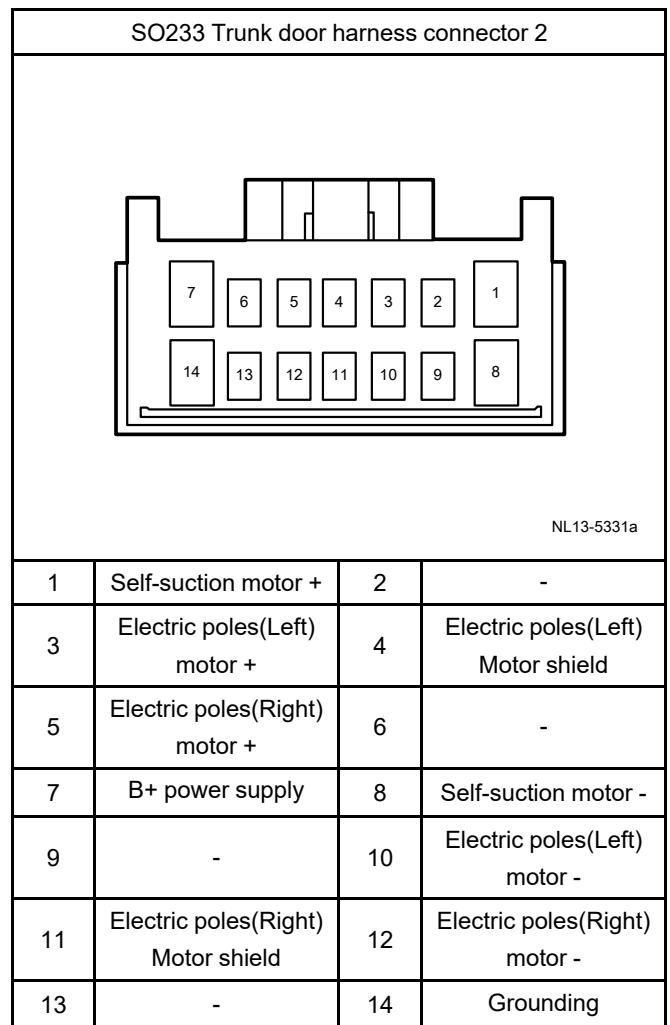
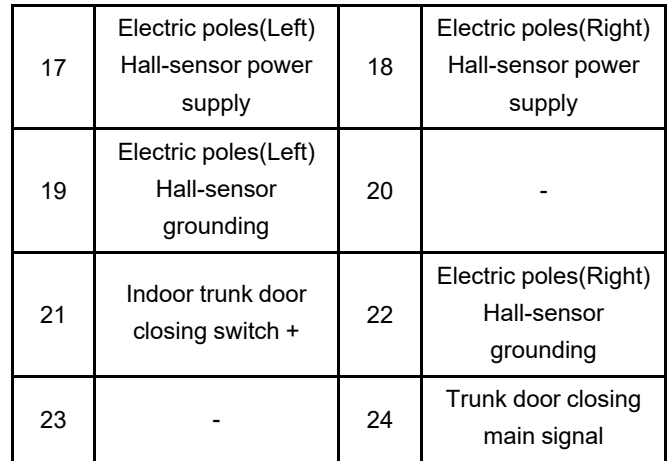
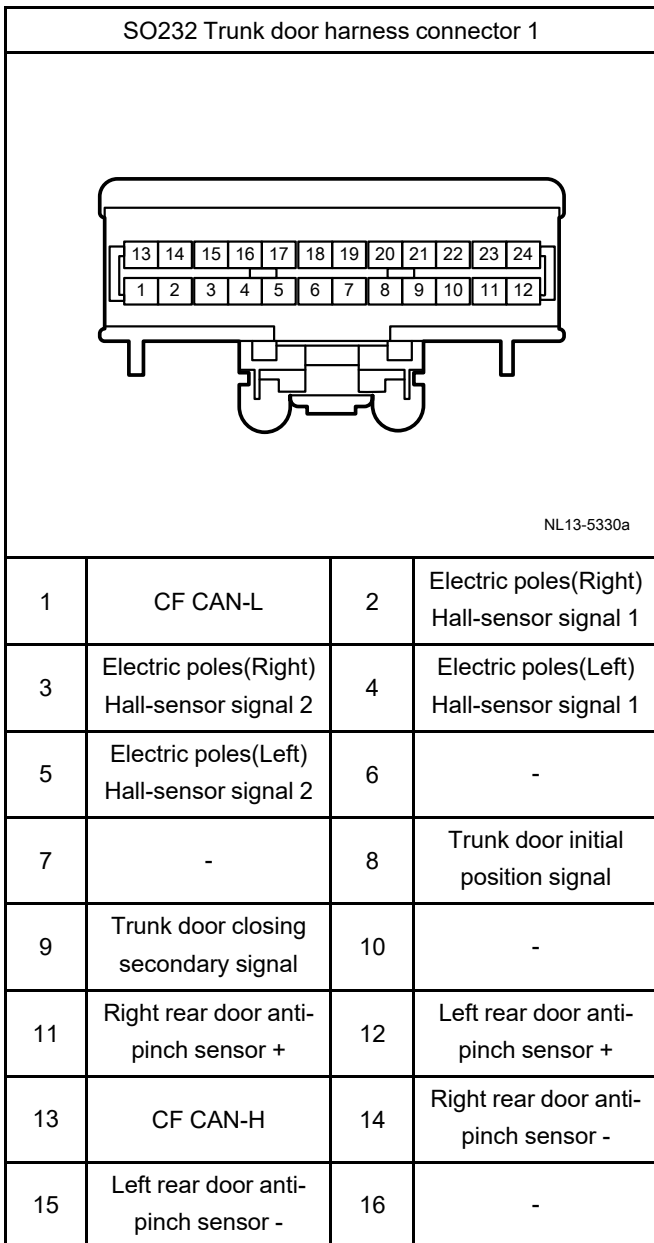
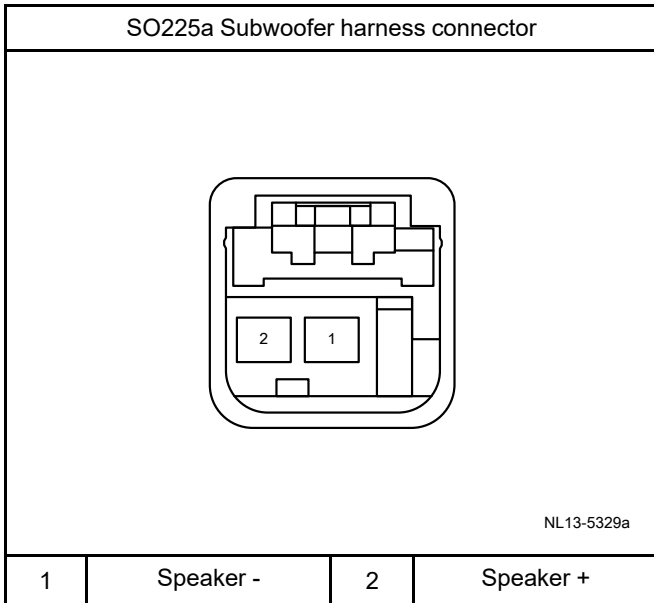
1	Power supply	2	Signal
3	Grounding	-	-

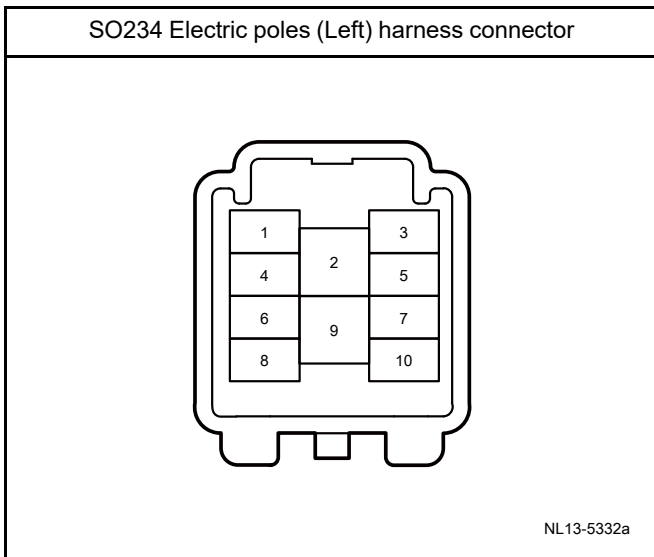
SO206 Left rear side parking assistance sensor harness connector



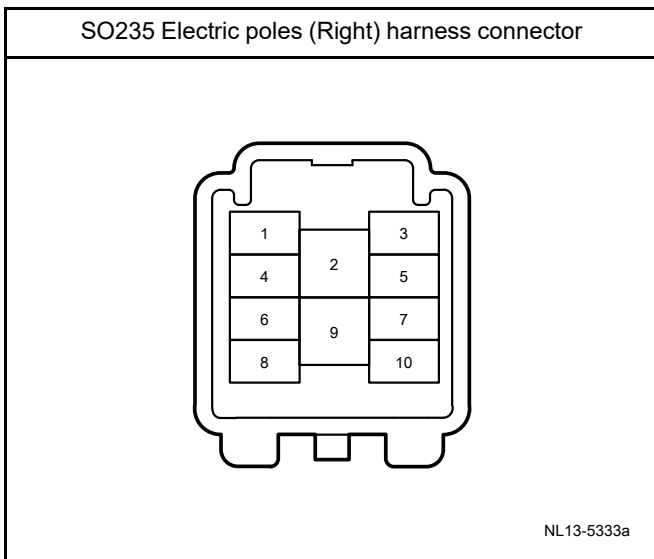
NL13-5424a

1	Power supply	2	Signal
3	Grounding	-	-

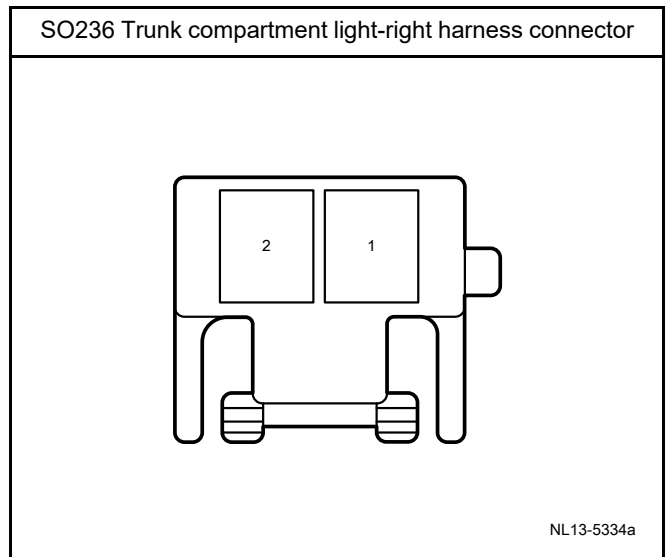




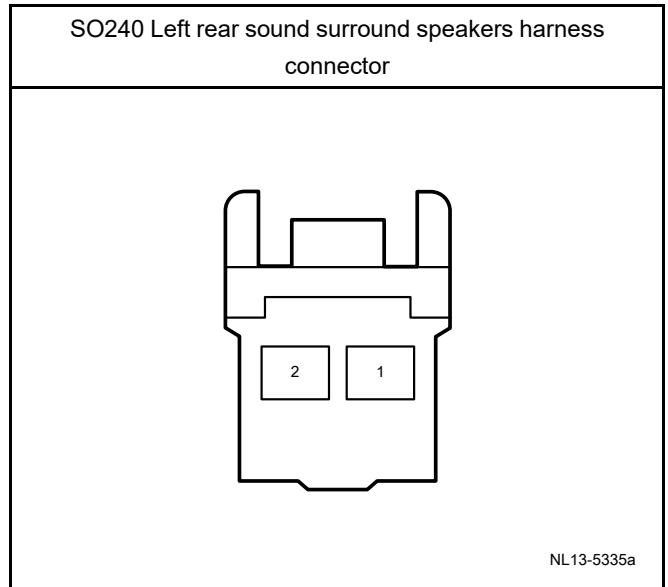
1	Hall-sensor power supply	2	Motor -
3	Motor shield	4	Hall-sensor signal 1
5	-	6	Hall-sensor signal 2
7	-	8	Hall-sensor grounding
9	Motor +	10	-



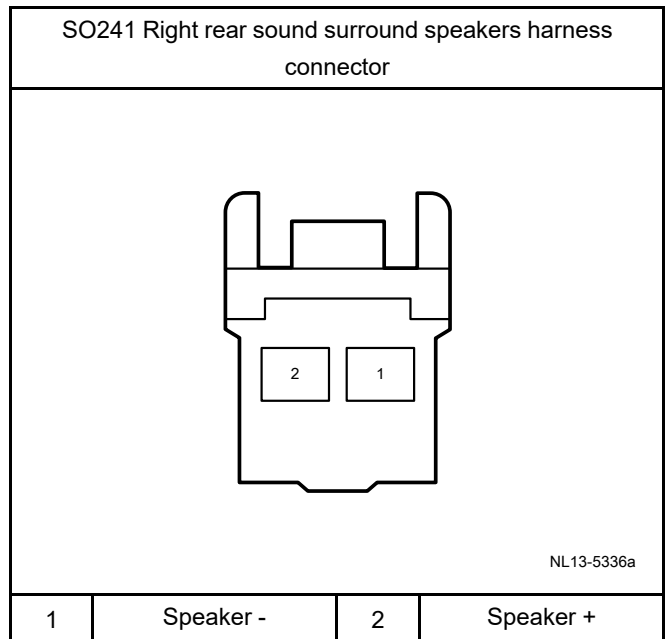
1	Hall-sensor power supply	2	Motor -
3	Motor shield	4	Hall-sensor signal 1
5	-	6	Hall-sensor signal 2
7	-	8	Hall-sensor grounding
9	Motor +	10	-



1	B+ power supply	2	Grounding
---	-----------------	---	-----------

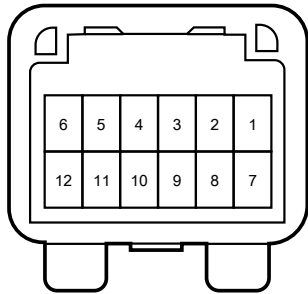


1	Speaker -	2	Speaker +
---	-----------	---	-----------



1	Speaker -	2	Speaker +
---	-----------	---	-----------

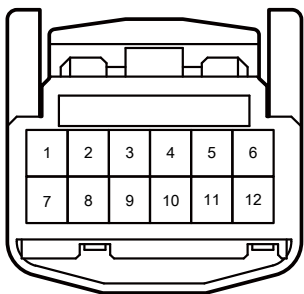
SO252a Trunk door to license light plate harness connector



NL13-5337a

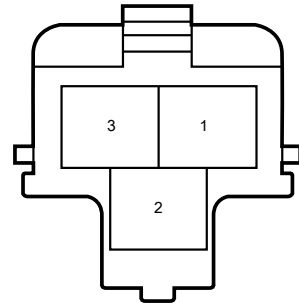
1	Post - camera power supply	2	-
3	-	4	-
5	Post - camera video +	6	The camera after unshielded
7	Position lamp(rear license plate light) power supply	8	Back door microswitch +
9	-	10	-
11	Position lamp grounding/Back door microswitch -	12	The camera after unshielded grounding

SO253a License light plate to trunk door harness connector



NL13-5338a

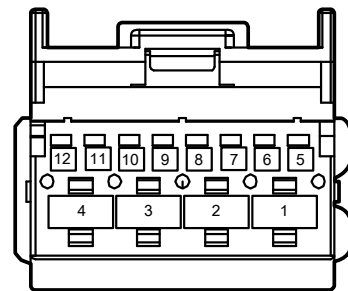
SO265 Rear accessory power outlet harness connector



NL13-5339a

1	ACC power supply	2	Grounding
3	-	-	-

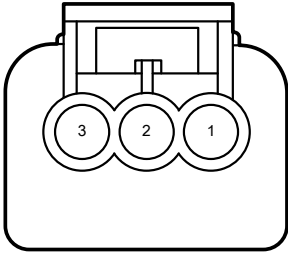
SO266a Transmission shift lever switch harness connector



NL13-5340a

1	Motor +	2	-
3	-	4	Motor -
5	-	6	Position sensor 5V power supply
7	Grounding	8	Position sensor signal
9	-	10	-
11	-	12	-

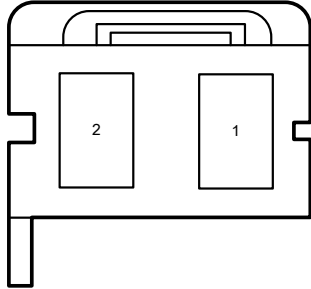
SO267a Leakage pressure sensor harness connector



NL13-5341a

1	Signal	2	Grounding
3	Power supply	-	-

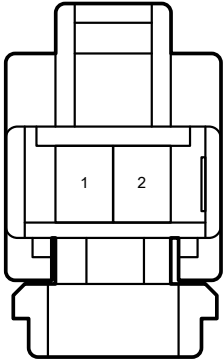
SO278 Self-suction motor harness connector



NL13-5344a

1	Motor +	2	Motor -
---	---------	---	---------

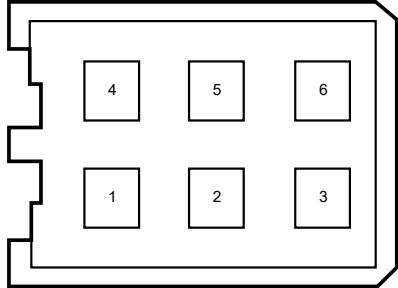
SO276 Left rear door anti-clip sensor harness connector



NL13-5342a

1	Sensor +	2	Sensor -
---	----------	---	----------

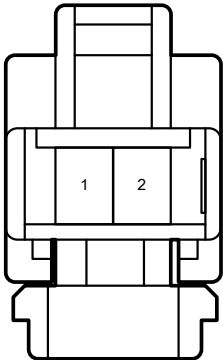
SO279 Cabin trunk door close switch harness connector



NL13-5345a

1	Switch signal input	2	B+ power supply
3	Switch signal input	4	-
5	-	6	-

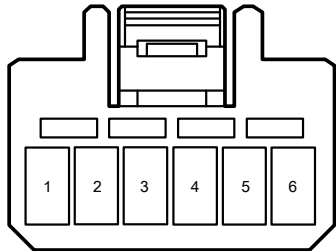
SO277 Right rear door anti-clip sensor harness connector



NL13-5343a

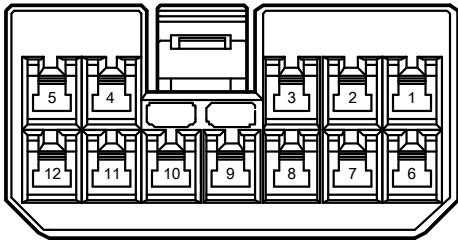
1	Sensor +	2	Sensor -
---	----------	---	----------

SO280c Floor to passenger seat harness connector 1



NL13-5271a

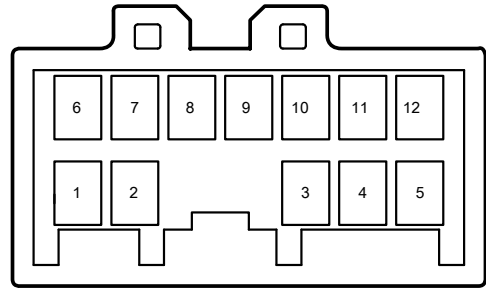
SO281 Floor to passenger seat harness connector 2



NL13-5536a

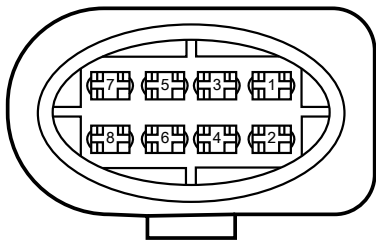
1	Fuel pump +	2	Fuel pump -
3	Fuel pump control module power supply	4	Grounding
5	Fuel pump control module PWM signal	-	-

SO287a Driver seat to driver back harness connector



NL13-5347a

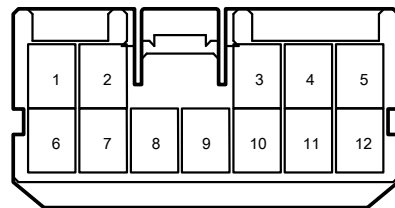
SO283a Intelligent torque manager control module harness connector



NL13-5537a

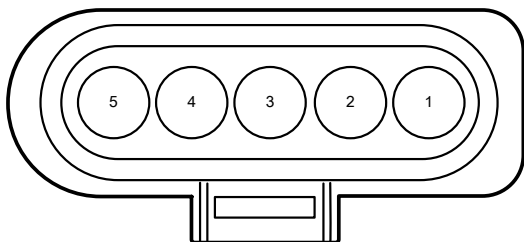
1	IG1 power supply	2	CS CAN-L
3	B+ power supply	4	CS CAN-H
5	-	6	-
7	Grounding	8	-

SO288a Driver back to driver seat harness connector

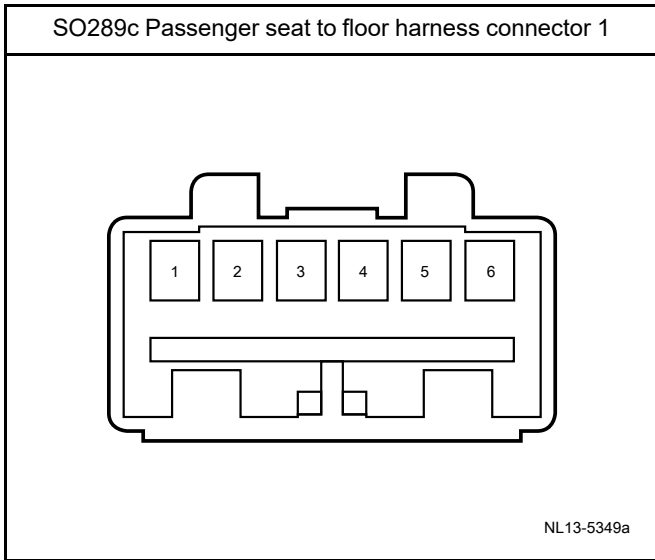


NL13-5348a

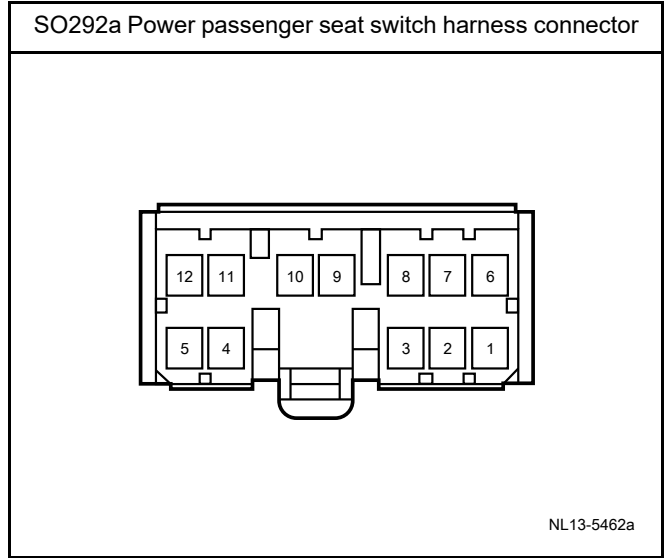
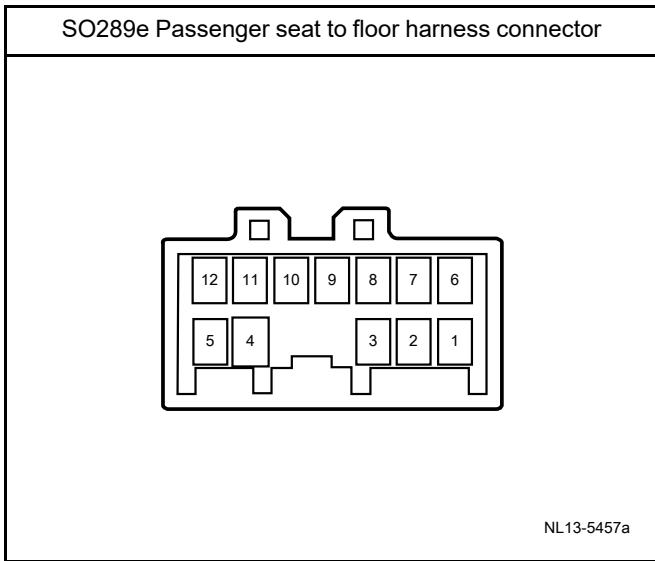
SO284 Fuel pump control module harness connector



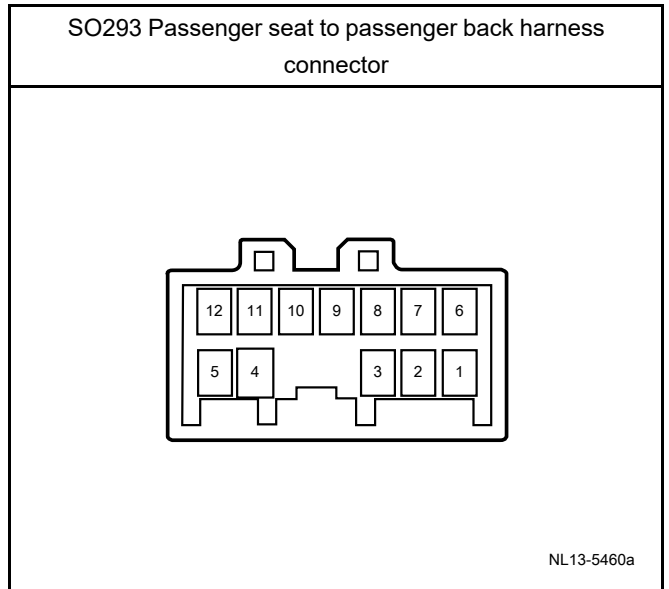
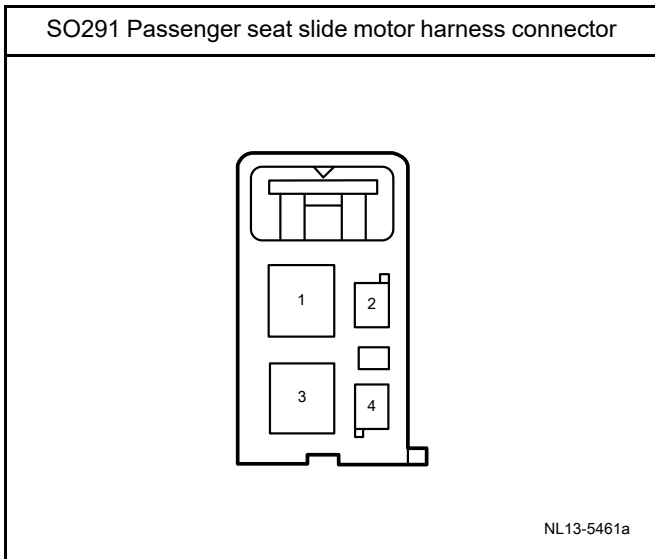
NL13-5346a



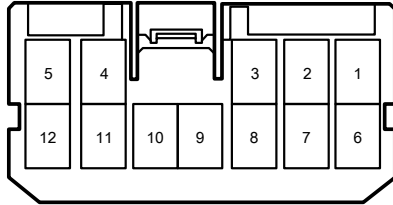
1	Front passenger seat slide motor adjustment	2	-
3	Front passenger seat slide motor adjustment	4	-



1	-	2	-
3	Power supply	4	-
5	Grounding	6	Switch signal 1
7	Switch signal 2	8	Switch signal 3
9	-	10	-
11	-	12	Switch signal 4

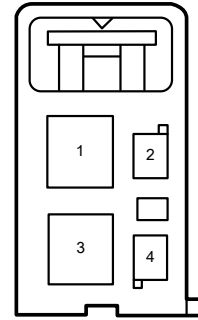


SO294 Passenger back to passenger seat harness connector



NL13-5463a

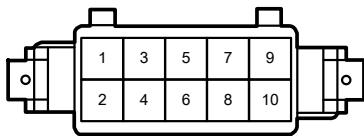
SO296 Passenger seat angle motors harness connector



NL13-5466a

1	Adjustment signal	2	-
3	Adjustment signal	4	-

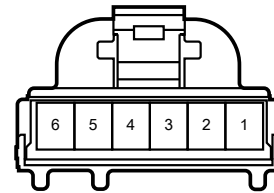
SO295 Protocol switch harness connector



NL13-5465a

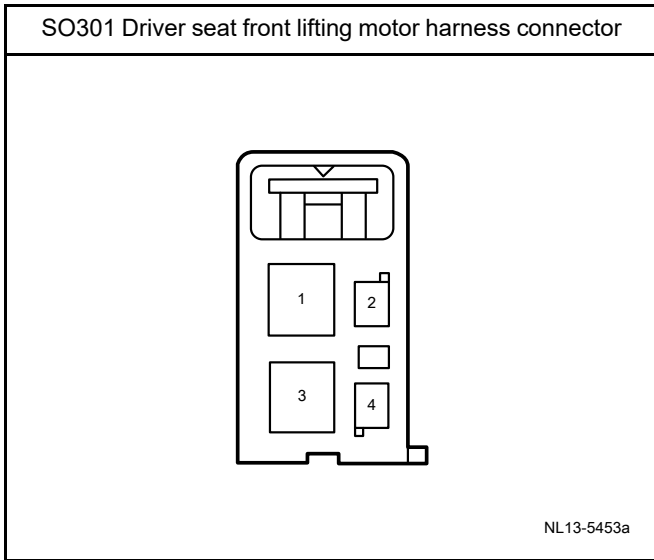
1	Power supply	2	Switch signal 4
3	-	4	Switch signal 1
5	Switch signal 3	6	Switch signal 2
7	Slide adjustment signal	8	Slide adjustment signal
9	Recliner adjustment signal	10	Recliner adjustment signal

SO299a Driver pneumatic lumbar support harness connector

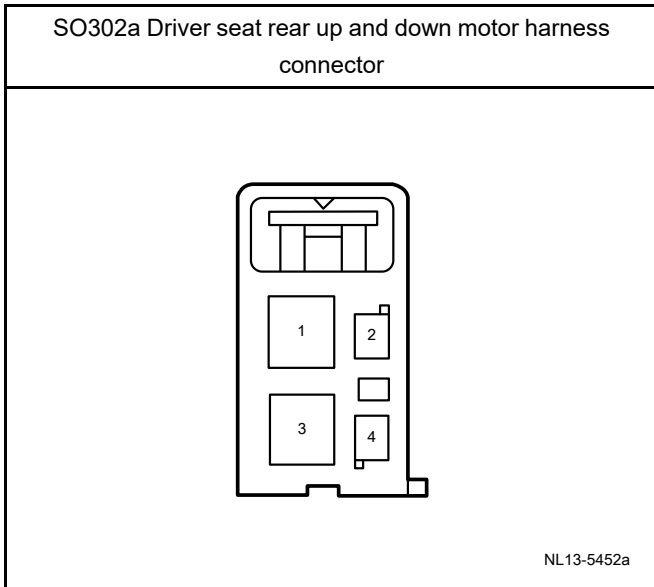


NL13-5455a

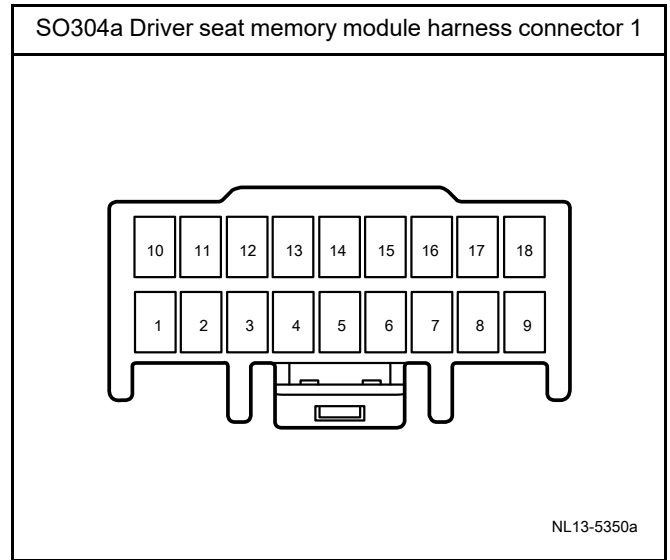
1	Full inflation adjustment	2	Full inflation adjustment
3	Grounding	4	Down-deflation inflation adjustment
5	Down-deflation inflation adjustment	6	-



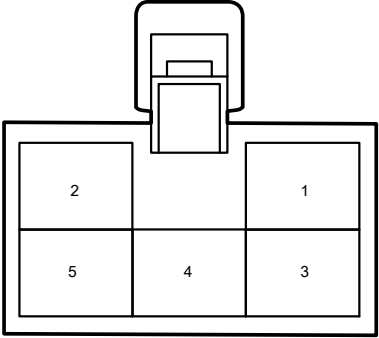
1	Motor rising	2	Sensor power supply
3	Motor lowering	4	Sensor grounding

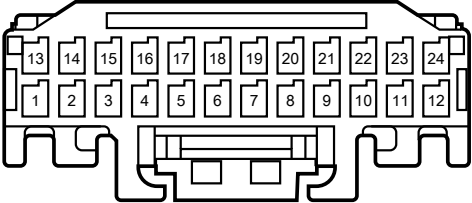


1	Motor lowering	2	Sensor power supply
3	Motor rising	4	sensor grounding

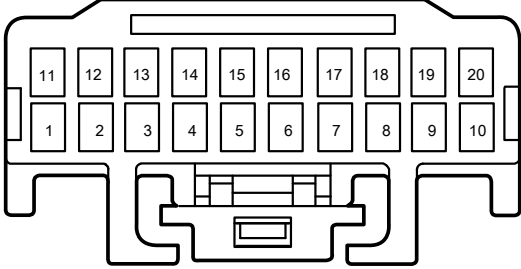


1	Driver seat slide motor forward	2	Driver seat slide motor backward/ Driver seat front lift motor rising
3	Driver seat front lift motor lowering	4	Driver seat recliner forward motor
5	Driver seat rear lift motor/Driver seat recliner backward motor	6	Driver seat rear lift motor lowering
7	-	8	-
9	-	10	Common end of driver side exterior rearview mirror adjustment
11	Driver side exterior rearview mirror left/right adjustment motor	12	Driver side exterior rearview mirror up/down adjustment motor
13	Common end of front passenger side rearview mirror adjustment	14	Front passenger side exterior rearview mirror left/right adjustment motor
15	Front passenger side exterior rearview mirror up/down adjustment motor	16	-
17	Front passenger seat cushion heating signal	18	Driver seat cushion heating signal

SO305a Driver seat memory module harness connector 2			
			
NL13-5351a			
1	Grounding	2	ALT power supply
3	Grounding	4	-
5	ALT power supply	-	-

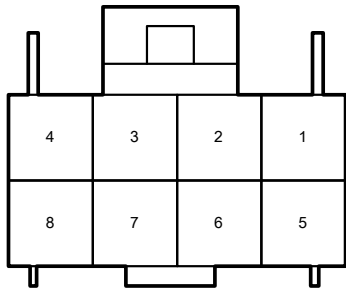
SO306a Driver seat memory module harness connector 3			
			
NL13-5454a			
1	Hall-sensor power supply	2	Driver seat slide motor Hall-sensor grounding
3	Driver seat front lift motor Hall-sensor grounding	4	Driver seat rear lift motor Hall-sensor grounding
5	Driver seat recliner motor Hall-sensor grounding	6	Exterior rearview mirror sensor power supply
7	-	8	Exterior rearview mirror sensor grounding
9	Driver seat slide motor forward switch	10	Driver seat slide motor backward switch

11	Driver seat recliner forward switch	12	Driver seat recliner backward switch
13	Front passenger side exterior rearview mirror up/down position signal	14	Front passenger side exterior rearview mirror left/right position signal
15	Driver side exterior rearview mirror up/down position signal	16	Driver side exterior rearview mirror left/right position signal
17	Left exterior rearview mirror adjustment	18	Right exterior rearview mirror adjustment
19	Exterior rearview mirror adjustment switch	20	Exterior rearview mirror adjustment switch grounding
21	Driver seat rear lift motor rising switch	22	Driver seat rear lift motor lowering switch
23	Driver front lift motor rising switch	24	Driver front lift motor lowering switch

SO307a Driver seat memory module harness connector 4			
			
NL13-5352a			
1	Driver seat backrest fan speed signal	2	Driver seat cushion fan speed signal
3	Front passenger seat cushion fan speed signal	4	Front passenger seat backrest fan speed signal
5	-	6	IG2 power supply
7	B+ power supply	8	-
9	CF CAN-L	10	CF CAN-H
11	Grounding	12	-
13	Driver cushion heating sensor +	14	Driver cushion heating sensor -

15	Front passenger seat cushion heating sensor +/Front passenger seat cushion heating sensor -	16	Front passenger seat cushion heating sensor -/Front passenger seat cushion heating sensor +
17	Driver seat memory switch signal	18	Driver seat memory switch Position signal
19	Driver seat memory switch power supply	20	-

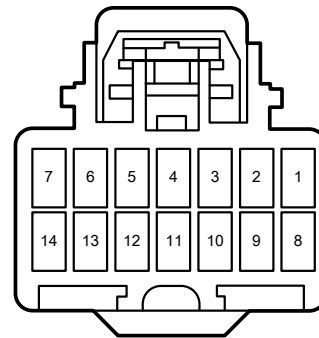
SO308 Parking assist control module harness connector2



NL13-5353a

1	Right rear parking assistance sensor signal	2	Right rear mid parking assistance sensor signal
3	-	4	-
5	Rear parking assistance sensor power supply(12V)	6	Left front mid parking assistance sensor signal
7	Left rear parking assistance sensor signal	8	Rear parking assistance sensor grounding

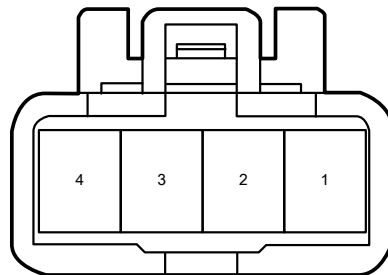
SO309 Parking assist control module harness connector3



NL13-5354a

1	-	2	-
3	-	4	Left front mid parking assistance sensor signal
5	Right front mid parking assistance sensor signal	6	-
7	-	8	Front parking assistance sensor power supply
9	-	10	-
11	Left front parking assistance sensor signal	12	Right front parking assistance sensor signal
13	-	14	Front parking assistance sensor grounding

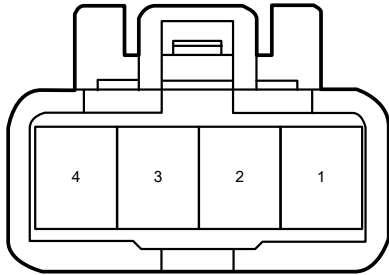
SO311a Driver seat cushion heating harness connector



NL13-5356a

1	Seat cushion heating -	2	Sensor +
3	Sensor -	4	Seat cushion heating +

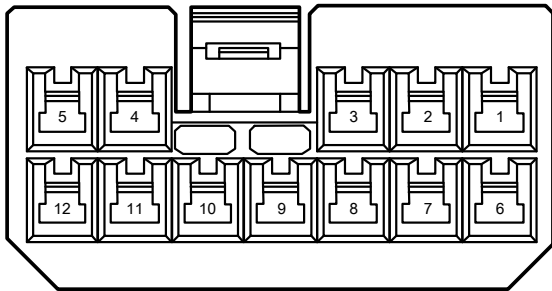
SO313a Passenger seat cushion heating harness connector



NL13-5358a

1	Heating -	2	Sensor +
3	Sensor -	4	Heating +

SO317 Rear seat heating module harness connector

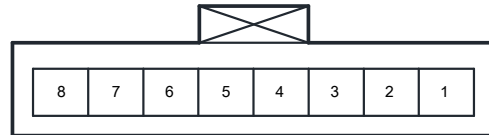


NL13-5637a

1	Grounding	2	Rear right seat heating switch signal
3	Right rear seat heating switch work LED 1	4	Left rear seat heating switch work LED 2
5	ALT power supply	6	IG2 power supply
7	Left rear seat heating switch signal	8	Right rear seat heating switch work LED 2

9	Left rear seat heating switch work LED 1	10	-
11	-	12	IG2 power supply

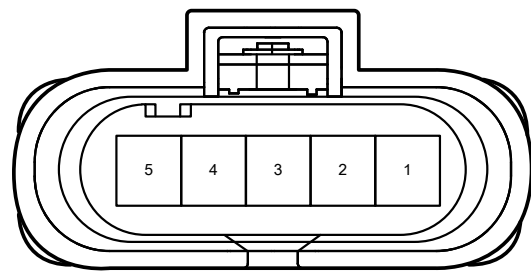
SO348 BMS module harness connector



NL13-5425a

1	HB CAN-H	2	HB CAN-L
3	-	4	-
5	-	6	IG1 power supply
7	-	8	ALT power supply

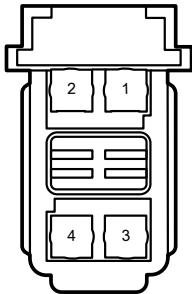
SO348a BMS module harness connector



NL13-5621a

1	Grounding	2	HB CAN-H
3	HB CAN-L	4	IG1 power supply
5	ALT power supply	-	-

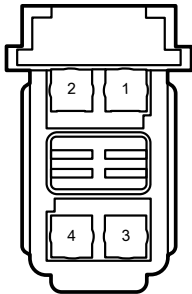
SO351 Driver seat cushion fans harness connector



NL13-5450a

1	Grounding	2	Fan speed signal
3	IG2 power supply	4	-

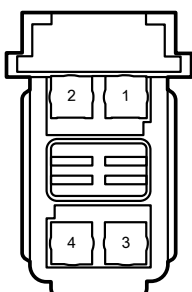
SO352 Driver seat back fans harness connector



NL13-5456a

1	Grounding	2	Fan speed signal
3	IG2 power supply	4	-

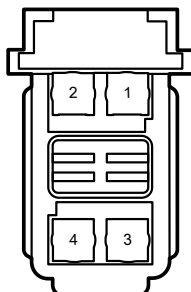
SO353 Passenger seat cushion fans harness connector



NL13-5359a

1	Grounding	2	Front passenger seat cushion fan speed signal
3	IG2 power supply	4	-

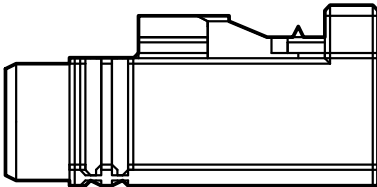
SO354 Passenger seat back fans harness connector



NL13-5464a

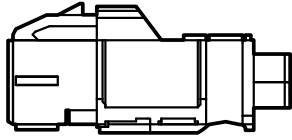
1	Fan speed signal	2	Grounding
3	IG2 power supply	4	-

SO357 Floor to engine compartment 360 camera harness connector



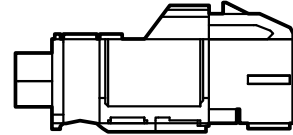
NL13-5595a

SO358 Floor to Instrument panel 360 camera harness connector



NL13-5596a

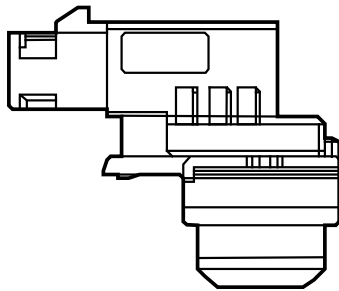
SO362 Around view monitor module harness connector 2



NL13-5599a

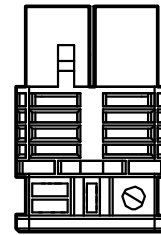
1	Video signal	-	-
---	--------------	---	---

SO360 Floor to driver door 360 camera harness connector



NL13-5597a

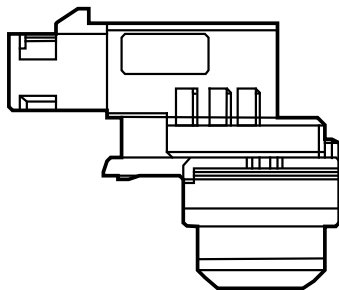
SO363 Around view monitor module harness connector 3



NL13-5600a

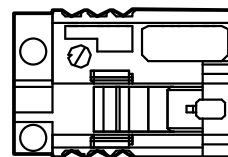
1	Front camera video signal	2	-
3	Left camera video signal	4	-

SO361 Floor to passenger door 360 camera harness connector



NL13-5598a

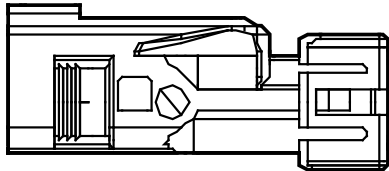
SO364 Around view monitor module harness connector 4



NL13-5601a

1	Right camera video signal	2	-
3	Rear camera video signal	4	-

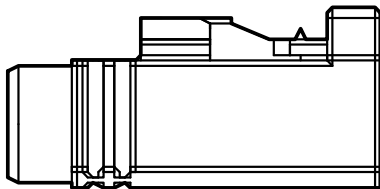
SO366 360 rear camera harness connector



NL13-5602a

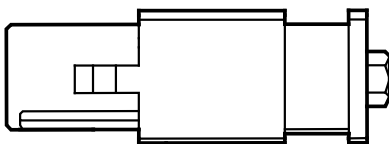
1	Video signal	-	-
---	--------------	---	---

SO377 Floor to trunk door 360 camera harness connector



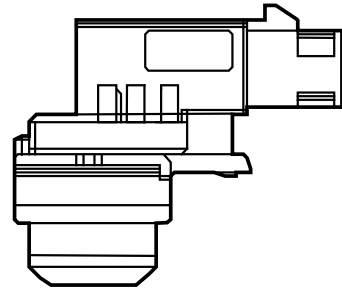
NL13-5603a

SO378 Trunk door to floor 360 camera harness connector



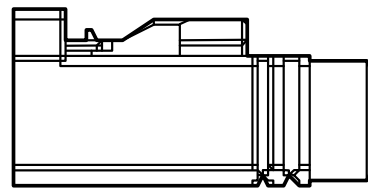
NL13-5604a

SO379 Trunk door to license light plate 360 camera harness connector



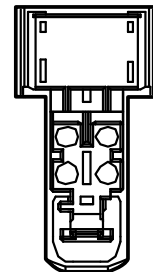
NL13-5605a

SO380 License light plate to trunk door 360 camera harness connector



NL13-5606a

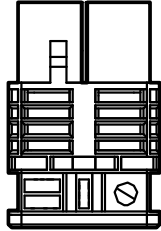
SO388 Antenna harness connector



NL13-5614a

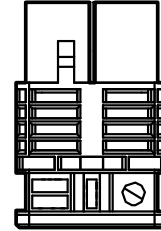
1	4G main signal	2	4G secondary signal
3	GPS signal	4	GPS signal

SO389 Floor to Instrument panel antenna harness connector 3



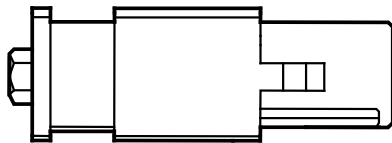
NL13-5615a

SO392 Floor to Instrument panel antenna harness connector 6



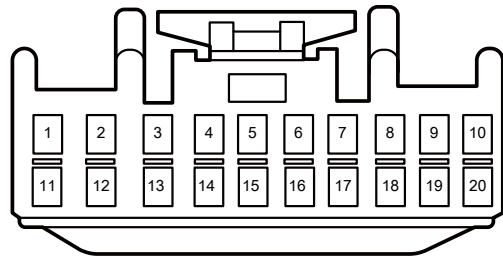
NL13-5618a

SO390 Floor to Instrument panel antenna harness connector 4



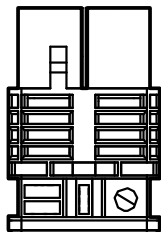
NL13-5616a

SO419 Outside the driver seat adjustment switches harness connector



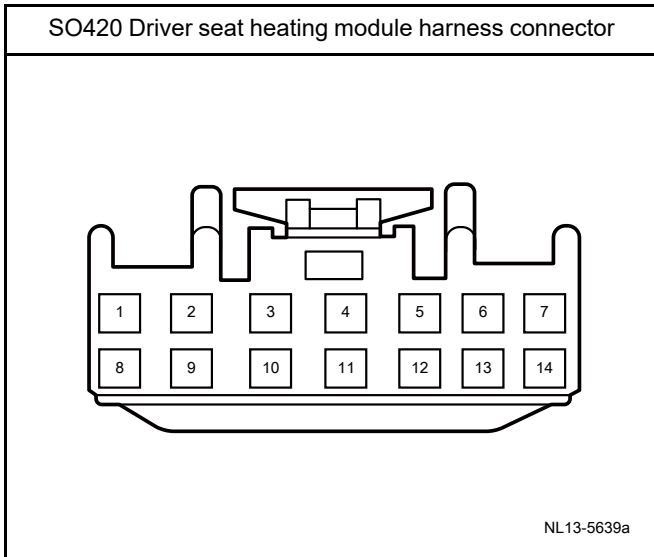
NL13-5638a

SO391 Floor to Instrument panel antenna harness connector 5

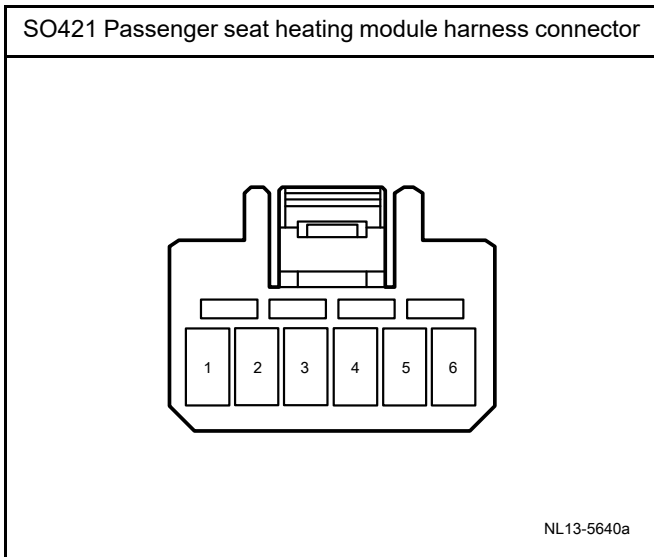


NL13-5617a

1	Grounding	2	Front passenger seat heating +
3	Front passenger seat heating NTC +	4	Front passenger seat heating NTC -
5	IG2 power supply	6	CF CAN-L
7	CF CAN-H	8	-
9	B+ power supply	10	ALT power supply
11	ALT power supply	12	Grounding
13	-	14	-
15	-	16	-
17	-	18	-
19	-	20	Grounding

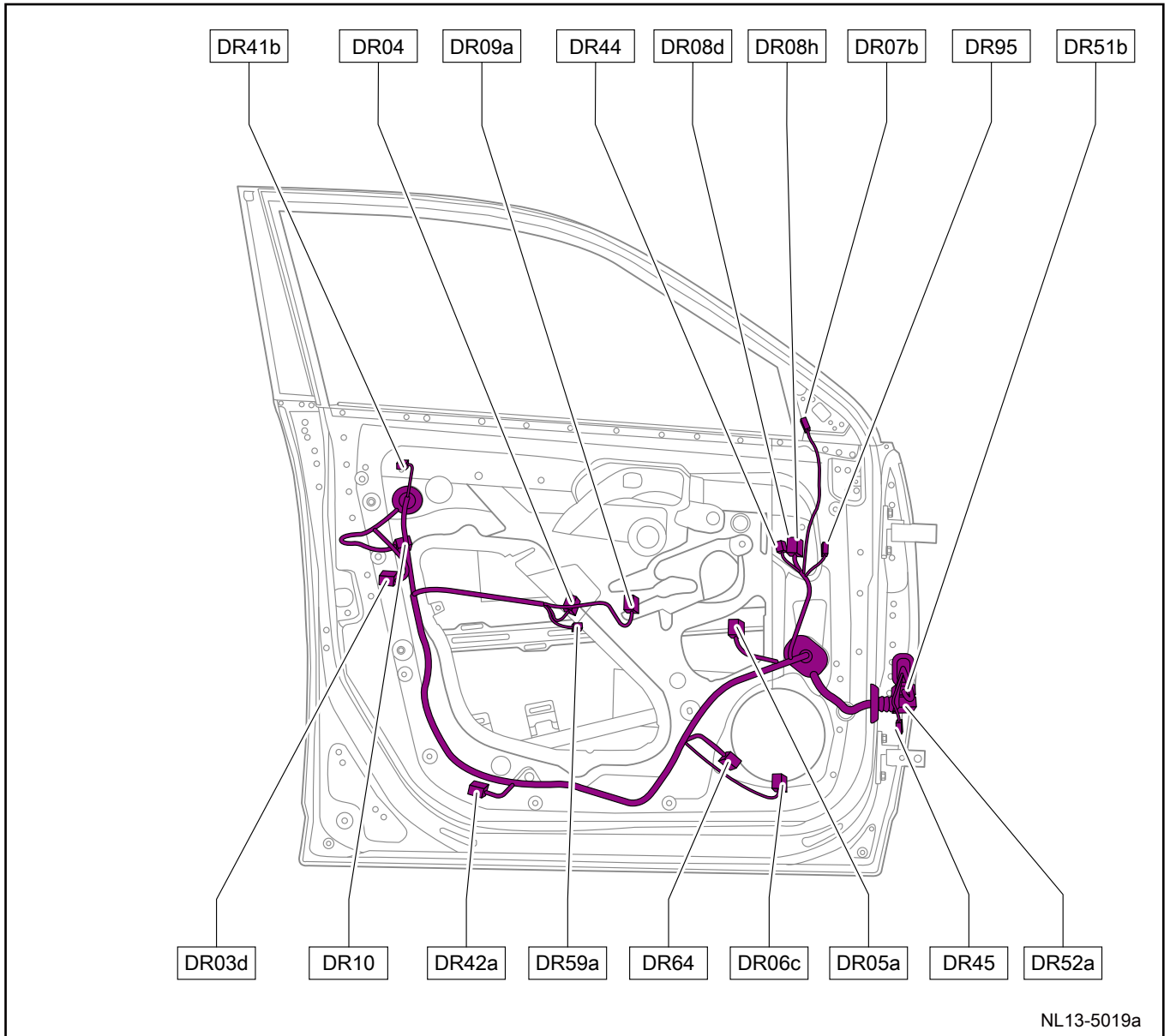


1	Grounding	2	Front passenger seat heating NTC +
3	Front passenger seat heating NTC -	4	Front passenger seat heating +
5	IG2 power supply	6	CF CAN-L
7	CF CAN-H	8	-
9	B+ power supply	10	ALT power supply
11	ALT power supply	12	Grounding
13	-	14	Grounding

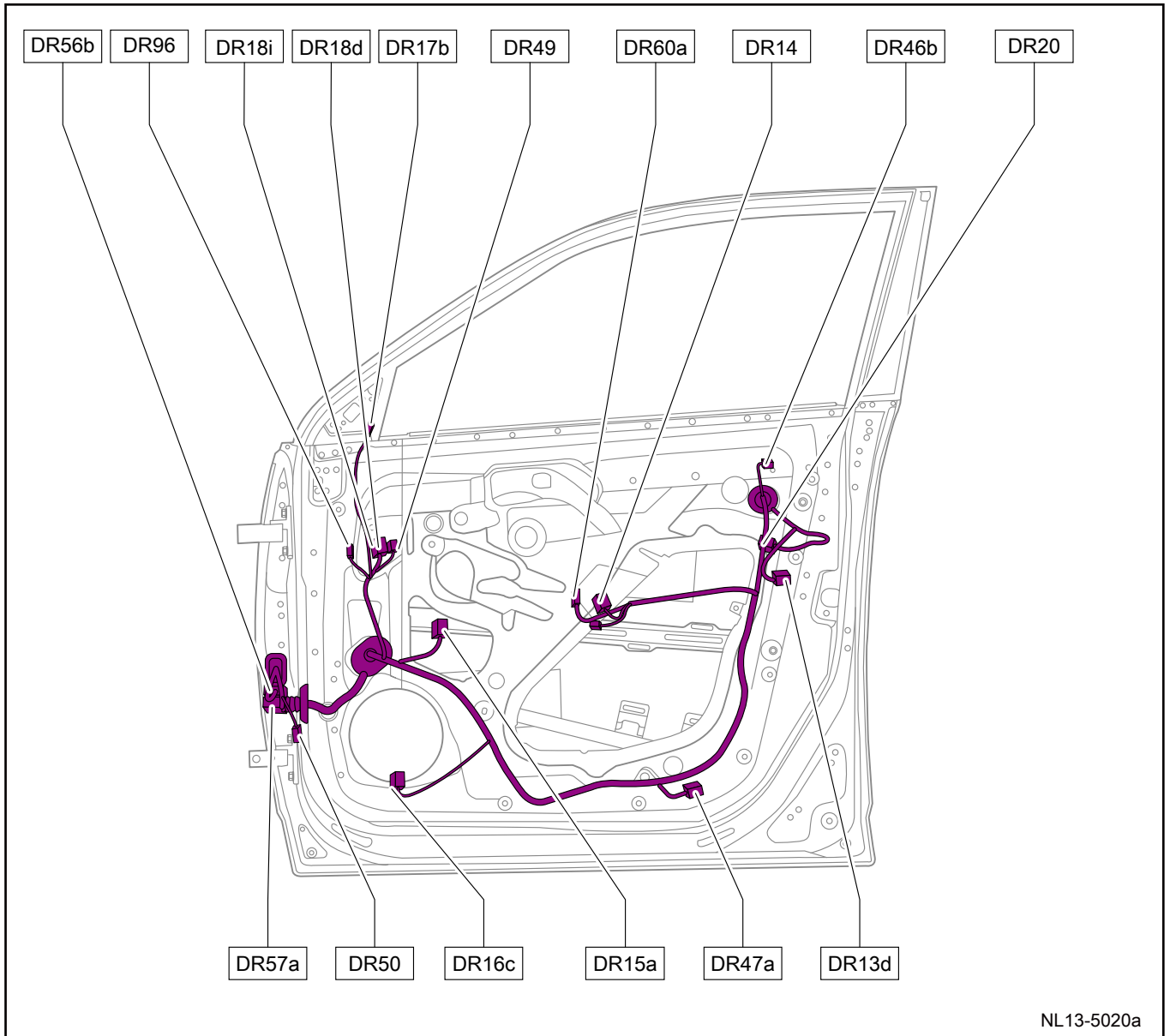


1	Heating +	2	Heating NTC +
3	Heating NTC -	4	Heating -
5	-	6	-

Layout of Left Front Door Harness



Layout of Right Front Door Harness

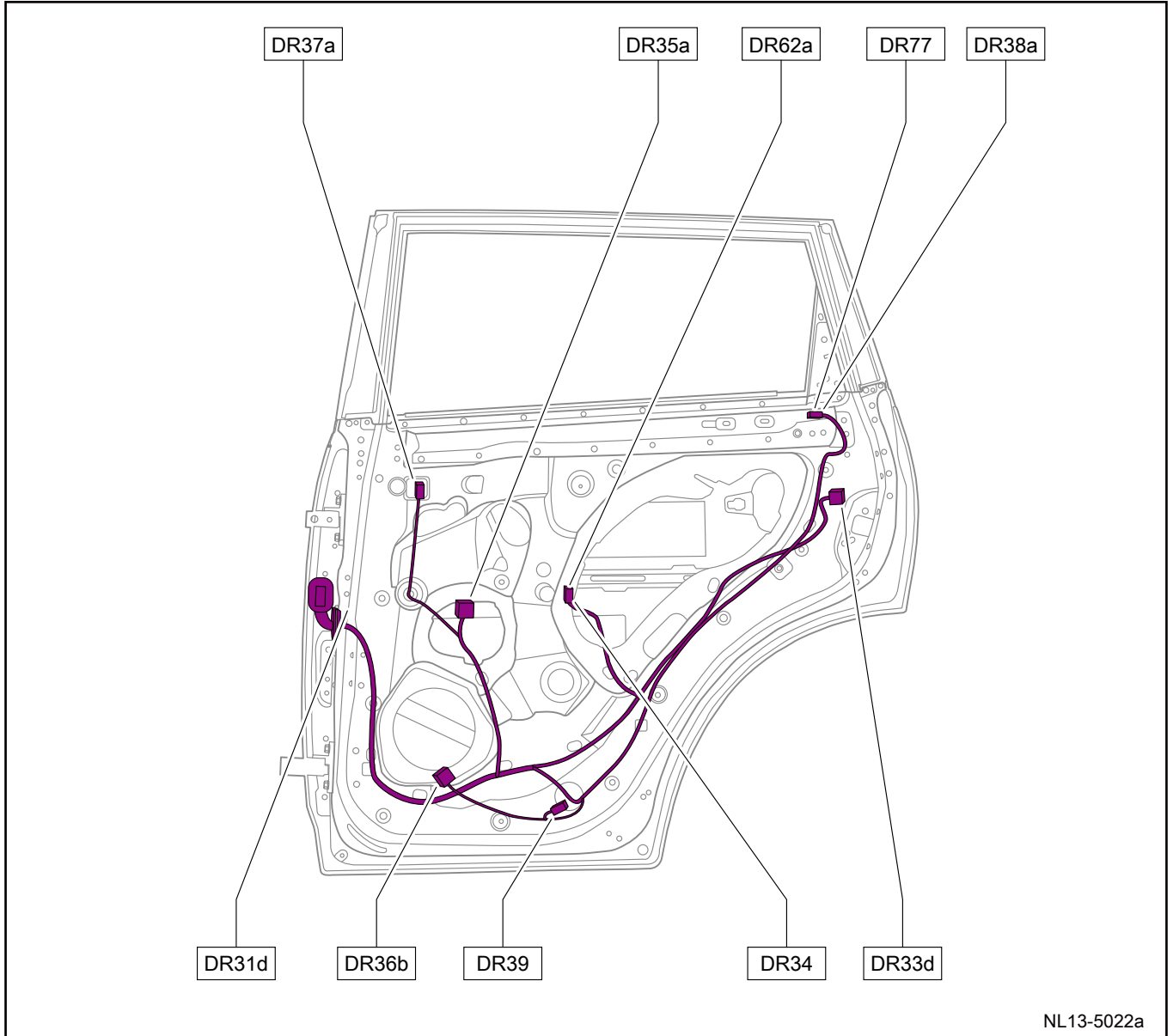


Layout of Left Rear Door Harness



NL13-5021a

Layout of Right Rear Door Harness



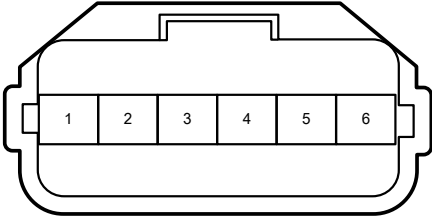
## List of Door Harness Connector

Harness connector	Name	Harness connector	Name
DR03d	Driver side door lock actuator motor harness connector	DR34	Right rear door power window switch harness connector
DR04	Driver side door power window switch harness connector	DR35a	Right rear door power window motor harness connector
DR05a	Driver side door power window motor harness connector	DR36b	Right rear door woofer harness connector
DR06c	Driver side door woofer harness connector	DR37a	Right rear door tweeter harness connector
DR07b	Driver side door tweeter harness connector	DR38a	Right rear door ambient light harness connector
DR08d	Outside rearview mirror-driver harness connector 1	DR39	Right rear courtesy light harness connector
DR08h	Outside rearview mirror-driver harness connector 1	DR41b	Driver side door ambient light harness connector
DR09a	Outside rearview mirror switch harness connector	DR42a	Driver side door courtesy light harness connector
DR10	Driver side door outer handle sensor harness connector	DR44	360 left camera harness connector
DR13d	Passenger side door lock actuator motor harness connector	DR45	360 left cameral to floor harness connector
DR14	Passenger side door power window switch harness connector	DR46b	Passenger side door ambient light harness connector
DR15a	Passenger side door power window motor harness connector	DR47a	Passenger side door courtesy light harness connector
DR16c	Passenger side door woofer harness connector	DR49	360 right camera harness connector
DR17b	Passenger side door tweeter harness connector	DR50	360 right cameral to floor harness connector
DR18d	Outside rearview mirror-passenger harness connector 1	DR51b	Driver side door to instrument panel harness connector 1
DR18i	Outside rearview mirror-passenger harness connector 1	DR52a	Driver side door to instrument panel harness connector 2
DR20	Passenger door outer handle sensor harness connector	DR56b	Passenger side door to instrument panel harness connector 1
DR21d	Left rear door to floor harness connector	DR57a	Passenger side door to instrument panel harness connector 2
DR23d	Left rear door lock actuator motor harness connector	DR59a	Driver side door storage box lighting harness connector
DR24	Left rear door power window switch harness connector	DR60a	Passenger side door storage box lighting harness connector
DR25a	Left rear door power window motor harness connector	DR61a	Left rear door storage box lighting harness connector
DR26b	Left rear door woofer harness connector	DR62a	Right rear door storage box lighting harness connector

Harness connector	Name	Harness connector	Name
DR27a	Left rear door tweeter harness connector	DR64	Cabin trunk door opener switch harness connector
DR28a	Left rear door ambient light harness connector	DR72	Left rear door antenna harness connector
DR29	Left rear courtesy light harness connector	DR77	Right rear door antenna harness connector
DR31d	Right rear door to floor harness connector	DR95	Outside rearview mirror-driver harness connector 2
DR33d	Right rear door lock actuator motor harness connector	DR96	Outside rearview mirror-passenger harness connector 2

Door harness terminals defined

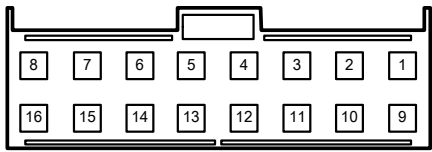
DR03d Driver side door lock actuator motor harness connector



NL13-5360a

1	Door control switch signal	2	Grounding
3	Door lock status signal	4	Blocking signal
5	Unlocking signal	6	-

DR04 Driver side door power window switch harness connector

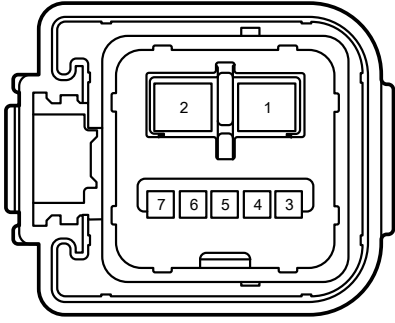


NL13-5361a

1	Window lock switch signal	2	Window lock switch LED grounding
3	Window lock switch LED power supply	4	Driver side window lift switch grounding
5	Driver side window lift signal	6	Front passenger side window lift signal
7	Right rear window lift signal	8	Left rear window lift signal

9	Backlighting power supply	10	Central lock switch、window lift switch(except driver side)grounding
11	Central lock switch signal	12	Central lock status indicator signal
13	Central lock status indicator signal	14	Grounding
15	-	16	-

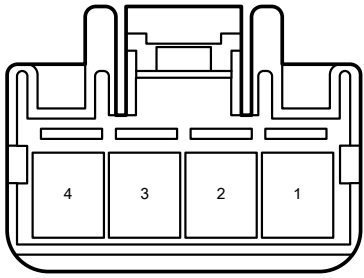
DR05a Driver side door power window motor harness connector



NL13-5362a

1	Grounding	2	B+ power supply
3	Window lift signal	4	LIN
5	-	6	-
7	Window lift switch grounding	-	-

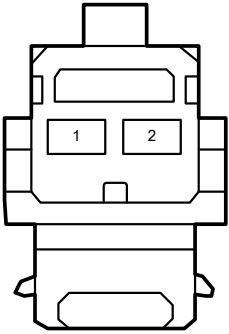
DR06c Driver side door woofer harness connector



NL13-5363a

1	Woofer -	2	-
3	-	4	Woofer +

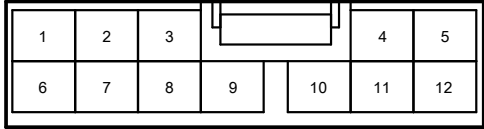
DR07b Driver side door tweeter harness connector



NL13-5364a

1	Woofers -	2	Woofers +
---	-----------	---	-----------

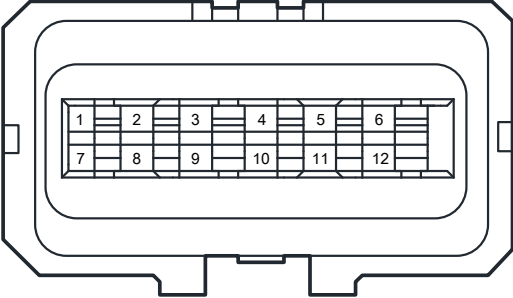
DR08h Outside rearview mirror-driver harness connector 1



NL13-5641a

1	Rearview mirror up/down adjustment	2	Rearview mirror left/right adjustment
3	Rearview mirror adjustment common	4	Rearview mirror heating power supply
5	Grounding	6	Turn signal power supply
7	Rearview mirror folding	8	Rearview mirror unfolding
9	Blind spot monitoring LED signal +	10	Blind spot monitoring LED signal -
11	LOGO light power supply	12	LOGO light grounding

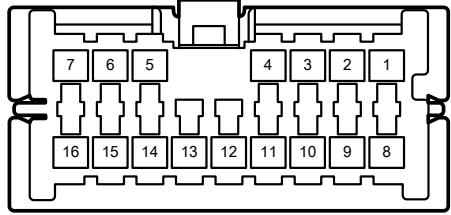
DR08d Outside rearview mirror-driver harness connector 1



NL13-5365a

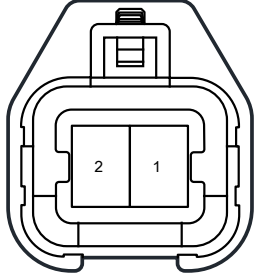
1	Rearview mirror up/down adjustment	2	Rearview mirror left/right adjustment
3	Rearview mirror adjustment common	4	Rearview mirror heating power supply
5	Grounding	6	Turn signal power supply
7	Rearview mirror folding	8	Rearview mirror unfolding
9	Blind spot monitoring LED signal +	10	Blind spot monitoring LED signal -
11	LOGO light power supply	12	LOGO light grounding

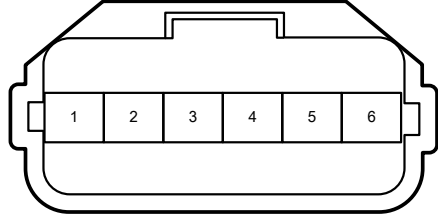
DR09a Outside rearview mirror switch harness connector

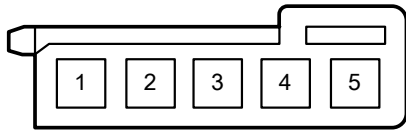


NL13-5366a

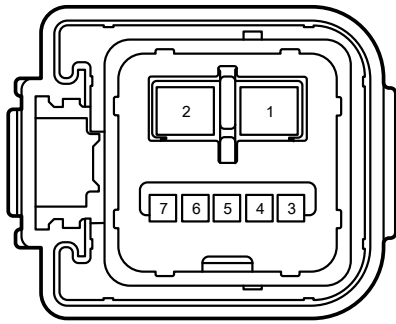
1	Grounding	2	Mirror four-way adjustment (with memory) / left/right rearview mirror up/down adjustment motor
3	Rearview mirror folding switch grounding	4	-
5	Rearview mirror folding switch signal	6	-
7	ACC power supply/rearview mirror switch ground (with memory)	8	Front passenger side exterior rearview mirror left/right adjustment
9	-	10	Driver side exterior rearview mirror left/right adjustment
11	Driver side rearview mirror adjustment common	12	-
13	Front passenger side rearview mirror adjustment common	14	-
15	Backlighting grounding	16	Backlighting power supply

DR10 Driver side door outer handle sensor harness connector			
			
NL13-5367a			
1	Sensor +	2	Sensor -

DR13d Passenger side door lock actuator motor harness connector			
			
NL13-5368a			
1	-	2	Unlocking signal
3	Blocking signal	4	Door lock status signal
5	Grounding	6	Door control switch signal

DR14 Passenger side door power window switch harness connector			
			
NL13-5369a			
1	Backlighting grounding	2	Backlighting power supply
3	Signal output	4	Signal input
5	-	-	-

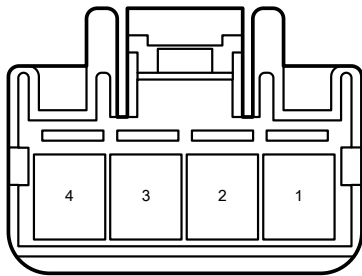
DR15a Passenger side door power window motor harness connector



NL13-5370a

1	Grounding	2	B+ power supply
3	Signal input	4	LIN
5	-	6	-
7	Signal output	-	-

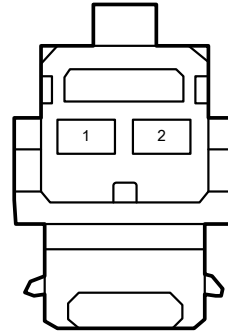
DR16c Passenger side door woofer harness connector



NL13-5372a

1	Woofer -	2	-
3	-	4	Woofer +

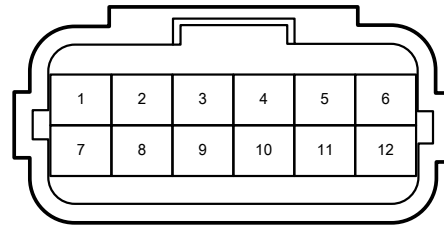
DR17b Passenger side door tweeter harness connector



NL13-5373a

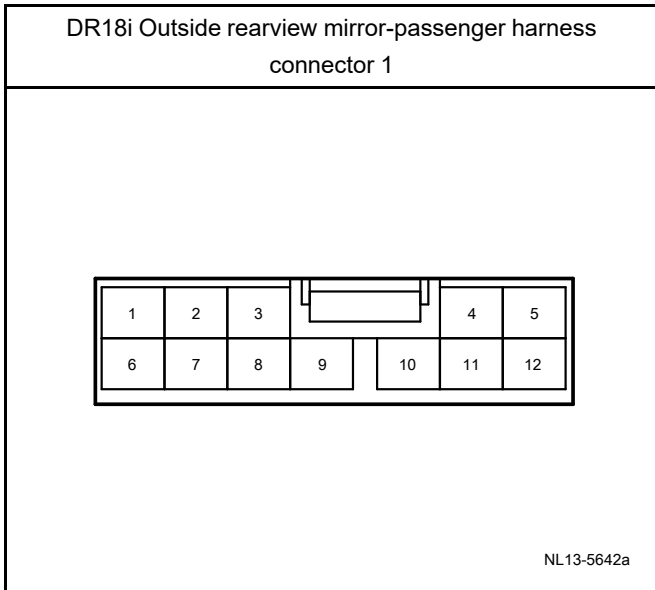
1	Tweeter -	2	Tweeter +
---	-----------	---	-----------

DR18d Outside rearview mirror-passenger harness connector 1

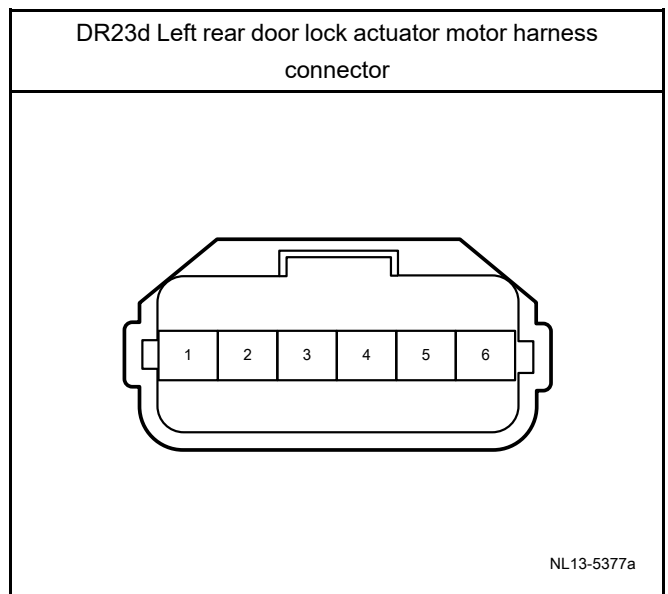
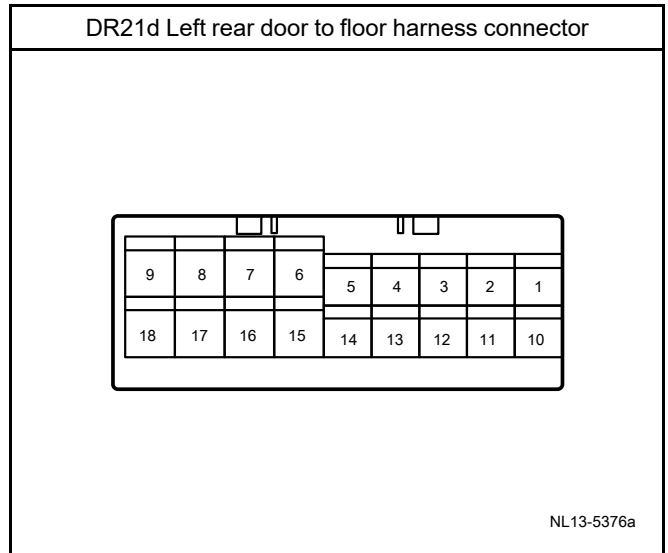
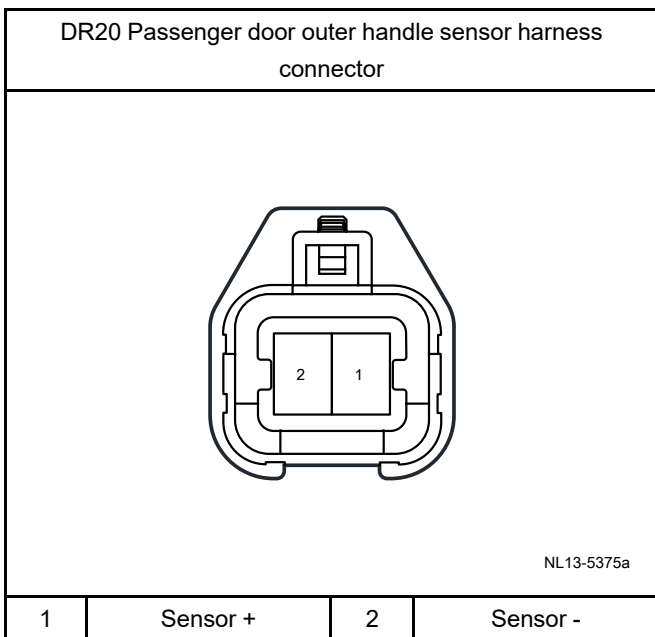


NL13-5374a

1	Rearview mirror up/down adjustment	2	Rearview mirror left/right adjustment
3	Rearview mirror adjustment common	4	Rearview mirror heating power supply
5	Defrost, turn signal grounding	6	Turn signal power supply
7	Rearview mirror folding	8	Rearview mirror unfolding
9	Blind spot monitoring LED signal +	10	Blind spot monitoring LED signal -
11	LOGO light power supply	12	LOGO light grounding

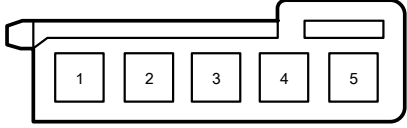


1	Rearview mirror up/down adjustment	2	Rearview mirror left/right adjustment
3	Rearview mirror adjustment common	4	Rearview mirror heating power supply
5	Defrost, turn signal grounding	6	Turn signal power supply
7	Rearview mirror folding	8	Rearview mirror unfolding
9	Blind spot monitoring LED signal +	10	Blind spot monitoring LED signal -
11	LOGO light power supply	12	LOGO light grounding



1	Door control switch signal	2	Grounding
3	Door lock status signal	4	Blocking signal
5	Unlocking signal	6	-

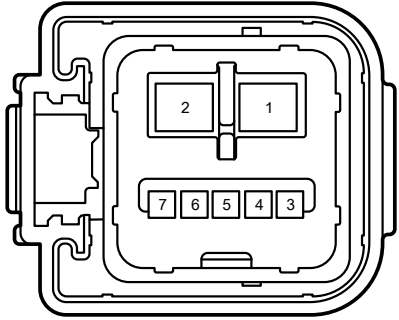
DR24 Left rear door power window switch harness connector



NL13-5378a

1	Backlighting grounding	2	Backlighting power supply
3	Signal output	4	Signal input
5	-	-	-

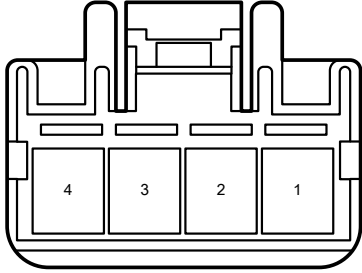
DR25a Left rear door power window motor harness connector



NL13-5379a

1	Grounding	2	B+ power supply
3	Signal input	4	LIN
5	-	6	-
7	Signal output	-	-

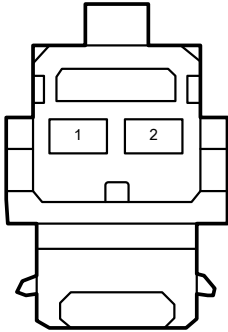
DR26b Left rear door woofer harness connector



NL13-5381a

1	Speaker -	2	-
3	-	4	Speaker +

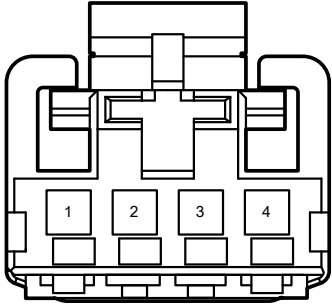
DR27a Left rear door tweeter harness connector



NL13-5382a

1	Speaker -	2	Speaker +
---	-----------	---	-----------

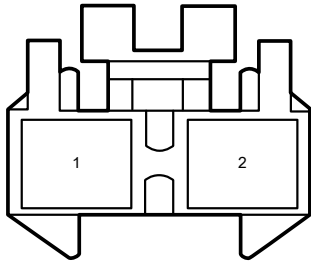
DR28a Left rear door ambient light harness connector



NL13-5383a

1	-	2	Power supply
3	LIN	4	Grounding

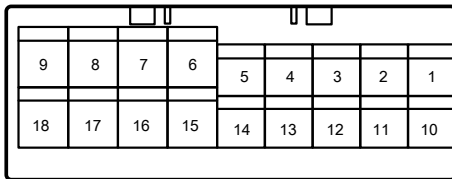
DR29 Left rear courtesy light harness connector



NL13-5384a

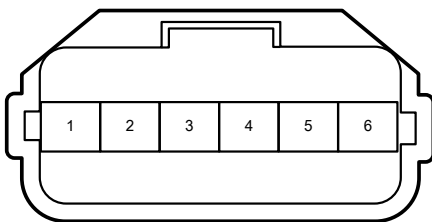
1	Grounding	2	B+ power supply
---	-----------	---	-----------------

DR31d Right rear door to floor harness connector



NL13-5385a

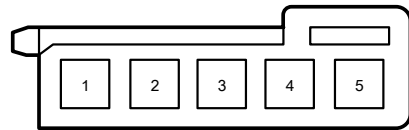
DR33d Right rear door lock actuator motor harness connector



NL13-5386a

1	-	2	Unlocking signal
3	Blocking signal	4	Door lock status signal
5	Grounding	6	Gated switch signal

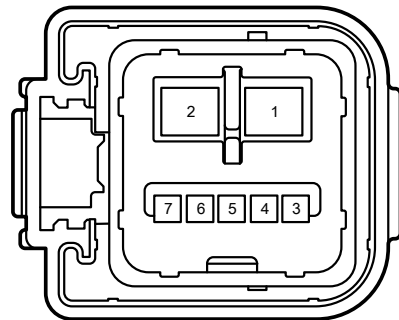
DR34 Right rear door power window switch harness connector



NL13-5387a

1	Backlighting grounding	2	Backlighting power supply
3	Signal output	4	Signal input
5	-	-	-

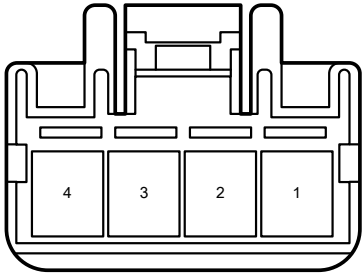
DR35a Right rear door power window motor harness connector



NL13-5388a

1	Grounding	2	Power supply
3	Signal input	4	LIN
5	-	6	-
7	Signal output	-	-

DR36b Right rear door woofer harness connector

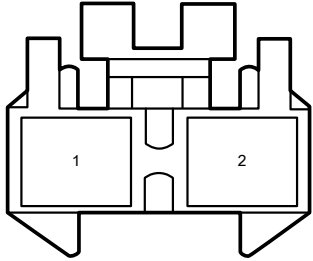


NL13-5390a

1	Speaker -	2	-
3	-	4	Speaker +

1	-	2	Power supply
3	LIN	4	Grounding

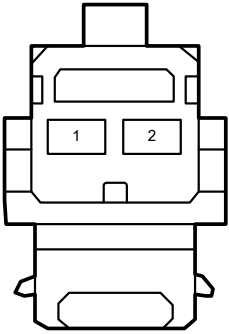
DR39 Right rear courtesy light harness connector



NL13-5393a

1	Grounding	2	B+ power supply
---	-----------	---	-----------------

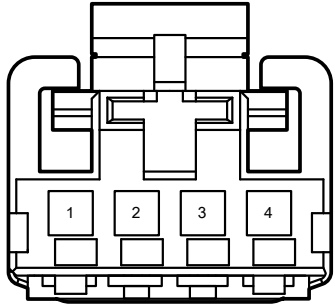
DR37a Right rear door tweeter harness connector



NL13-5391a

1	Speaker -	2	Speaker +
---	-----------	---	-----------

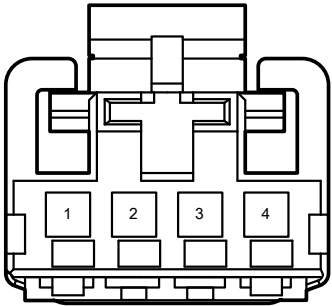
DR41b Driver side door ambient light harness connector



NL13-5394a

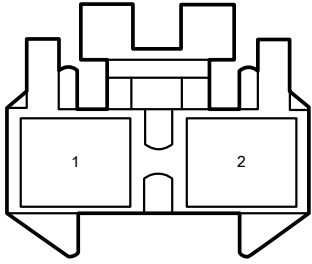
1	-	2	Power supply
3	LIN	4	Grounding

DR38a Right rear door ambient light harness connector



NL13-5392a

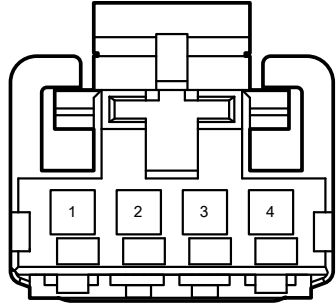
DR42a Driver side door courtesy light harness connector



NL13-5395a

1	B+ power supply	2	Grounding
---	-----------------	---	-----------

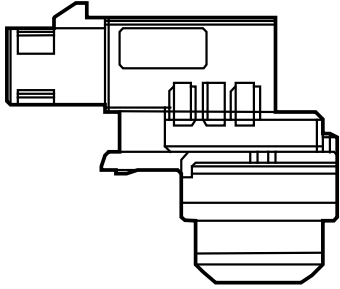
DR46b Passenger side door ambient light harness connector



NL13-5396a

1	-	2	Power supply
3	LIN	4	Grounding

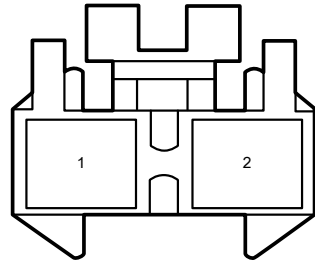
DR44 360 left camera harness connector



NL13-5547a

1	Video signal	-	-
---	--------------	---	---

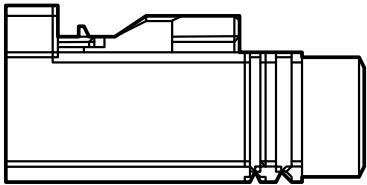
DR47a Passenger side door courtesy light harness connector



NL13-5397a

1	B+ power supply	2	Grounding
---	-----------------	---	-----------

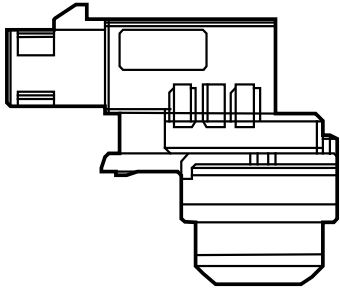
DR45 360 left camera to floor harness connector



NL13-5548a

1	left camera	-	-
---	-------------	---	---

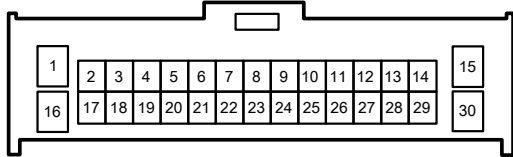
DR49 360 Right camera harness connector



NL13-5549a

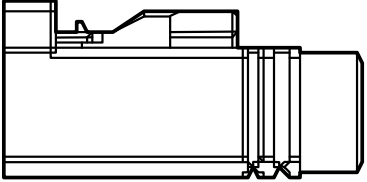
1	Video signal	-	-
---	--------------	---	---

DR52a Driver side door to instrument panel harness connector 2



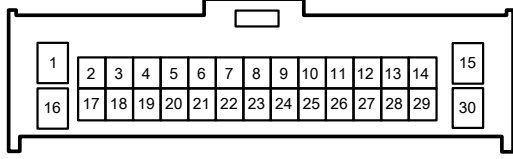
NL13-5399a

DR50 360 Right camera to floor harness connector



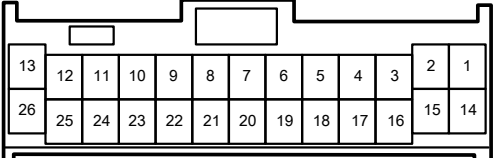
NL13-5550a

DR56b Passenger side door to instrument panel harness connector 1



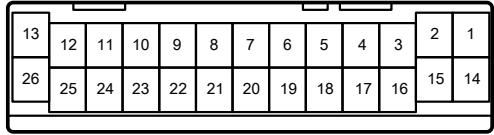
NL13-5400a

DR51b Driver side door to instrument panel harness connector 1

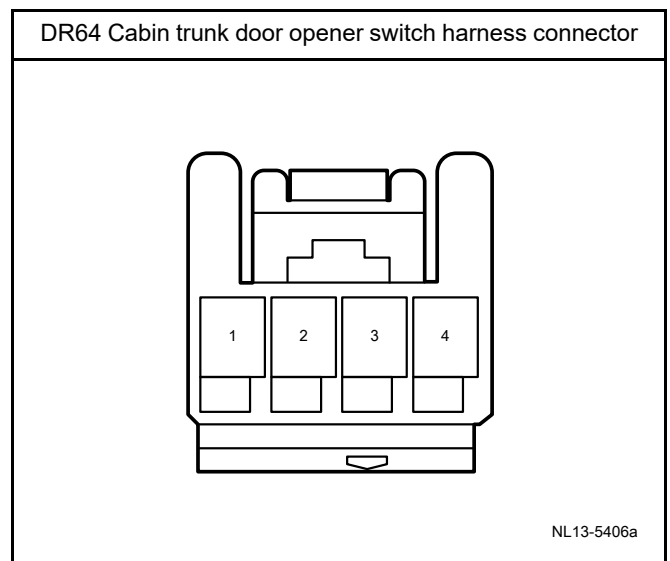
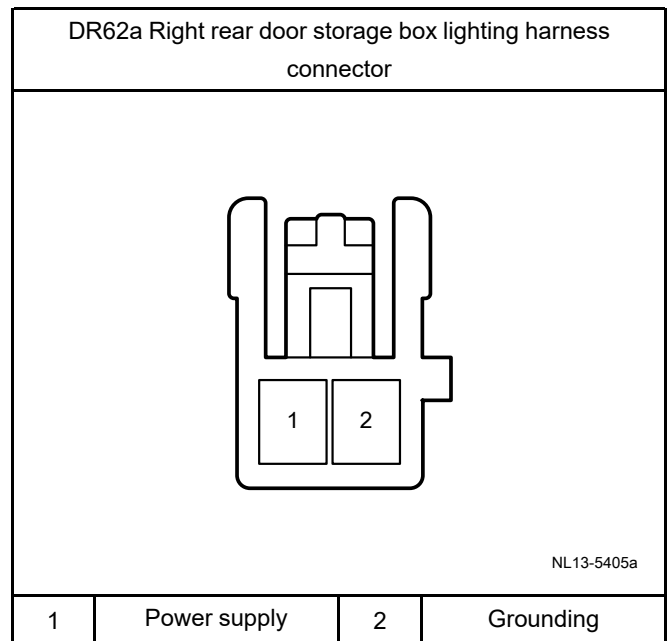
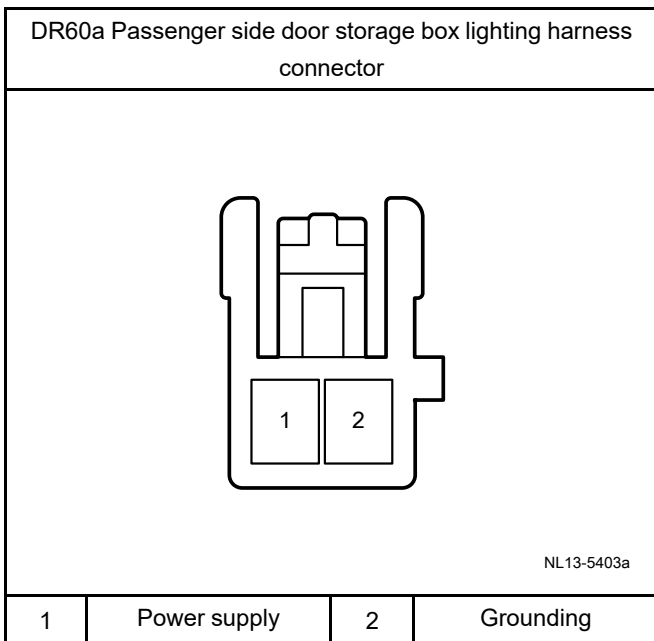
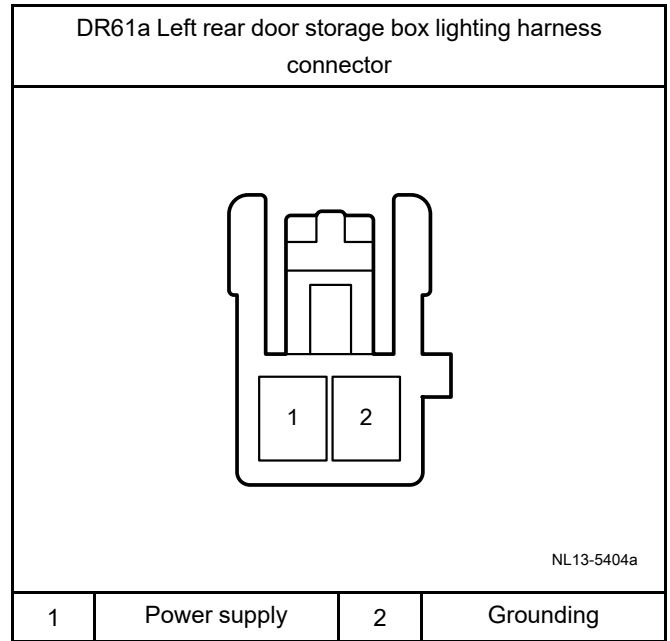
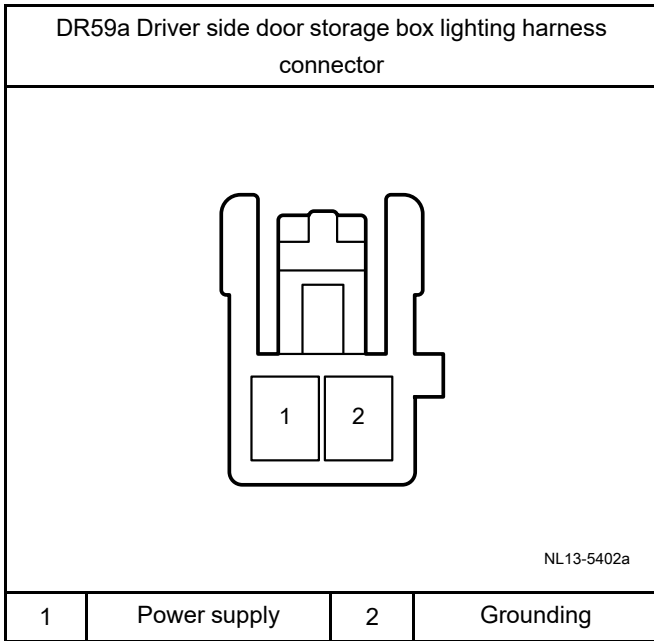


NL13-5398a

DR57a Passenger side door to instrument panel harness connector 2

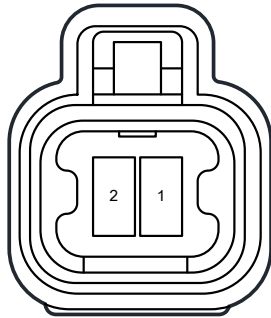


NL13-5401a



1	Trunk door internal opening switch input	2	Backlighting power supply
3	Trunk door internal opening switch output	4	Backlighting grounding

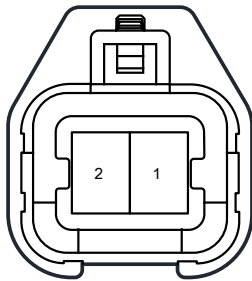
DR72 Left rear door antenna harness connector



NL13-5407a

1	Antenna +	2	Antenna -
---	-----------	---	-----------

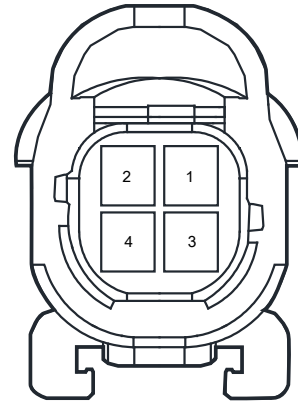
DR77 Right rear door antenna harness connector



NL13-5408a

1	Antenna +	2	Antenna -
---	-----------	---	-----------

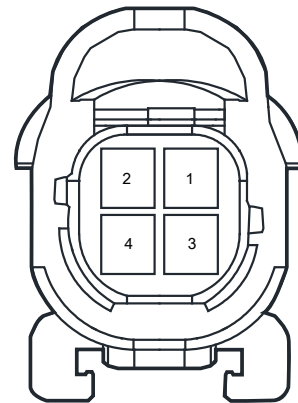
DR95 Outside rearview mirror-driver harness connector 2



NL13-5412a

1	Grounding	2	Left/right position signal
3	Up/down position signal	4	Power supply

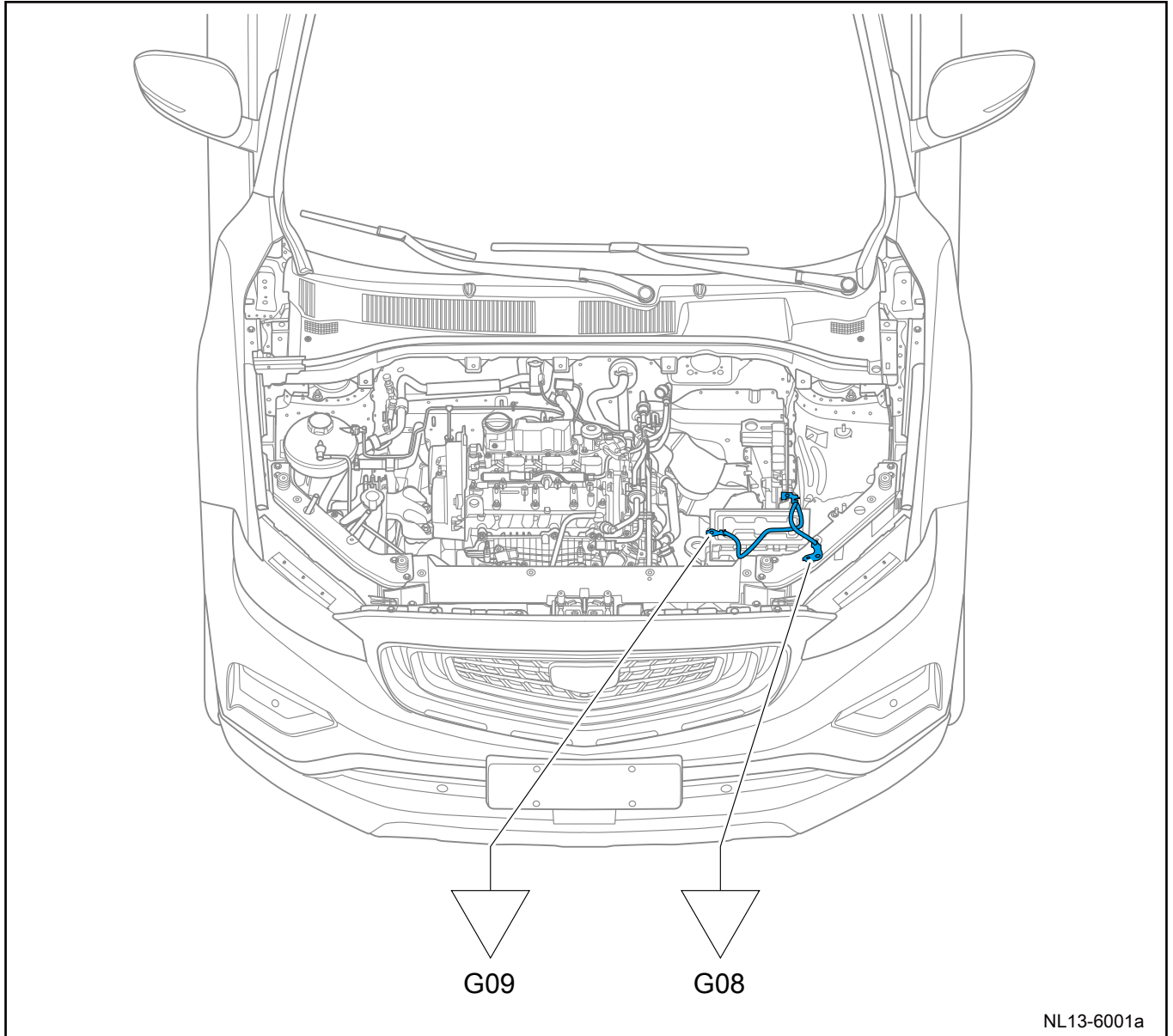
DR96 Outside rearview mirror-passenger harness connector 2



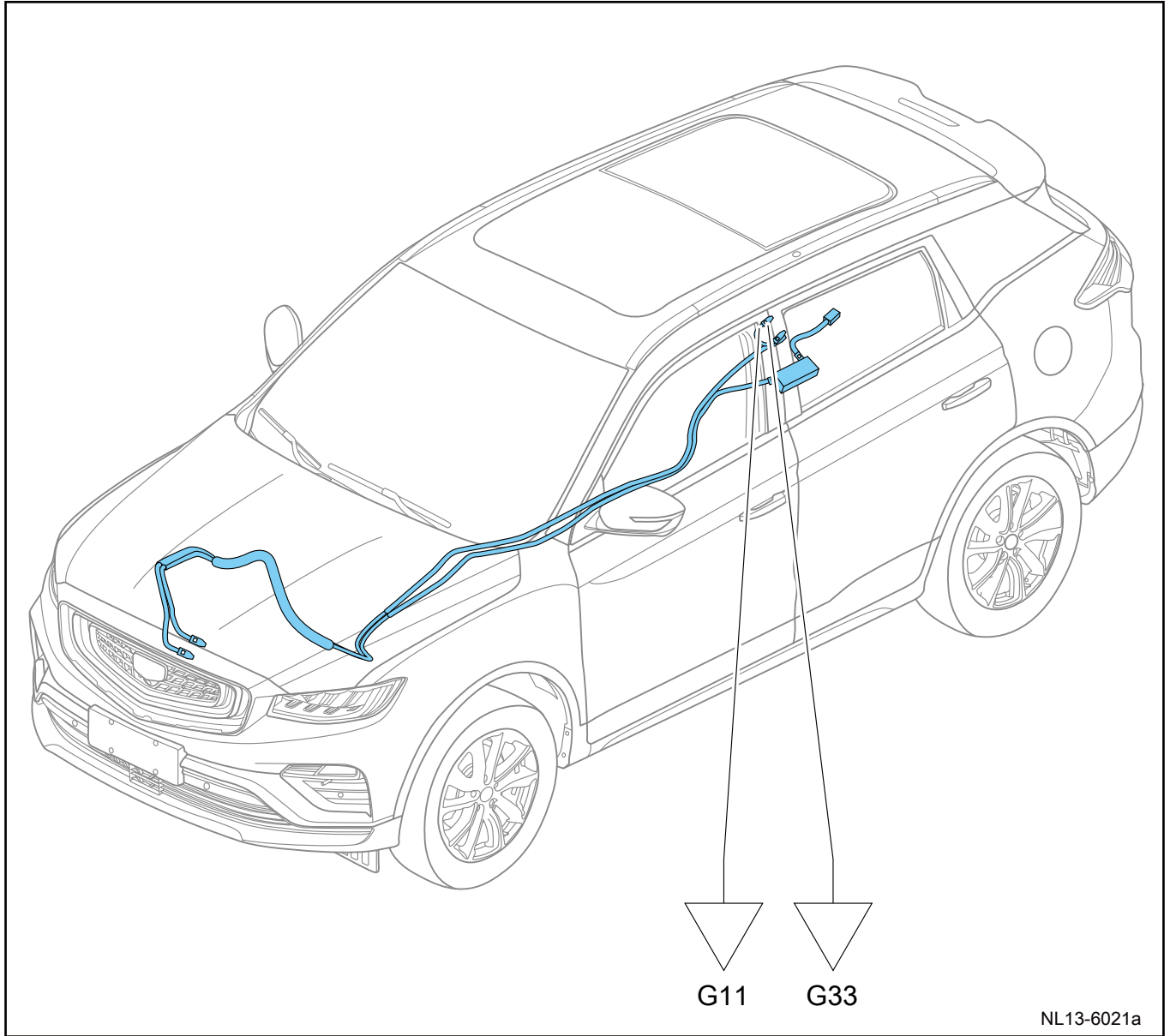
NL13-5413a

1	Grounding	2	Left/right position signal
3	Up/down position signal	4	Power supply

Layout of Battery negative Ground Point

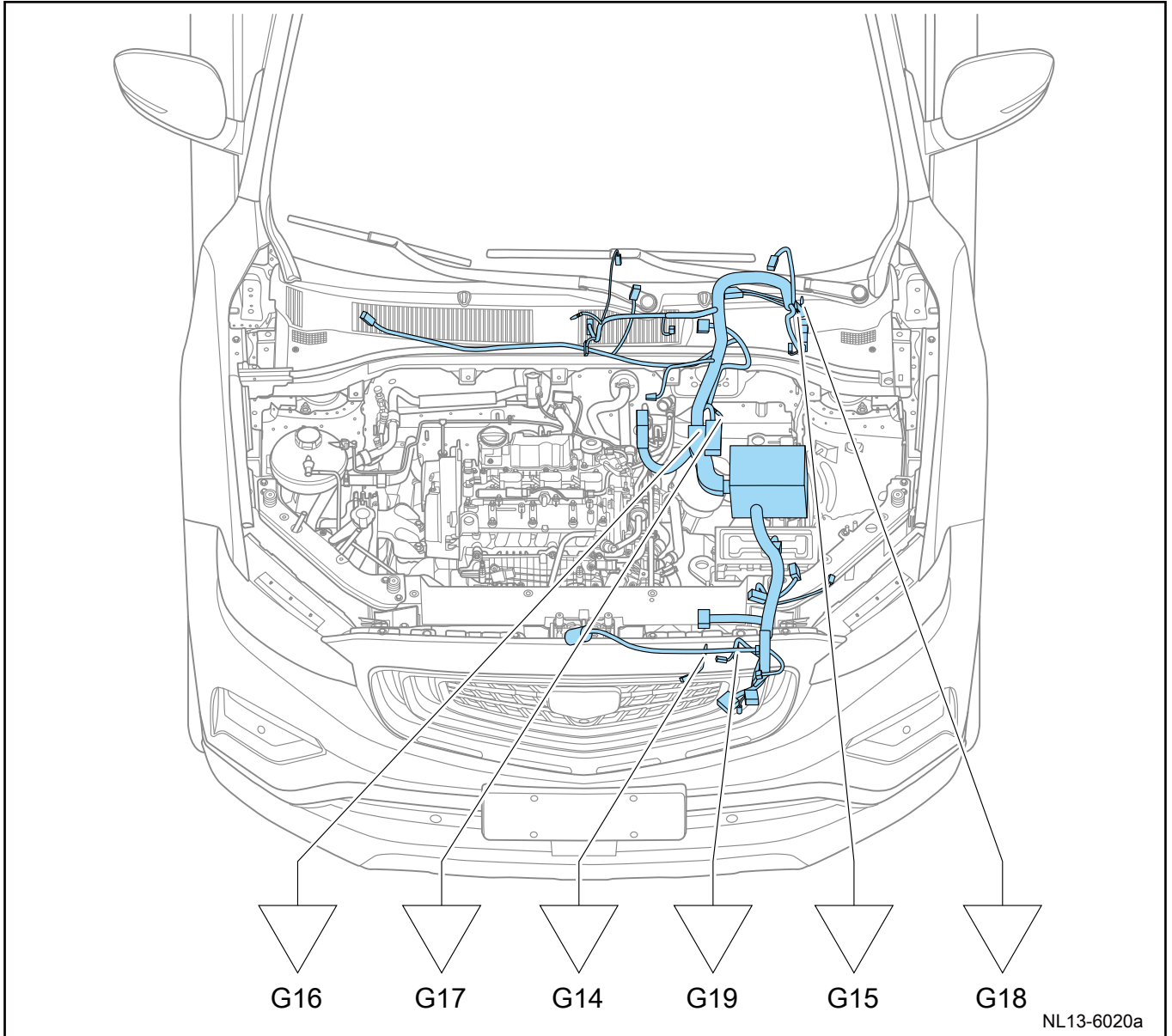


Layout of Battery negative Ground Point(Part 1)

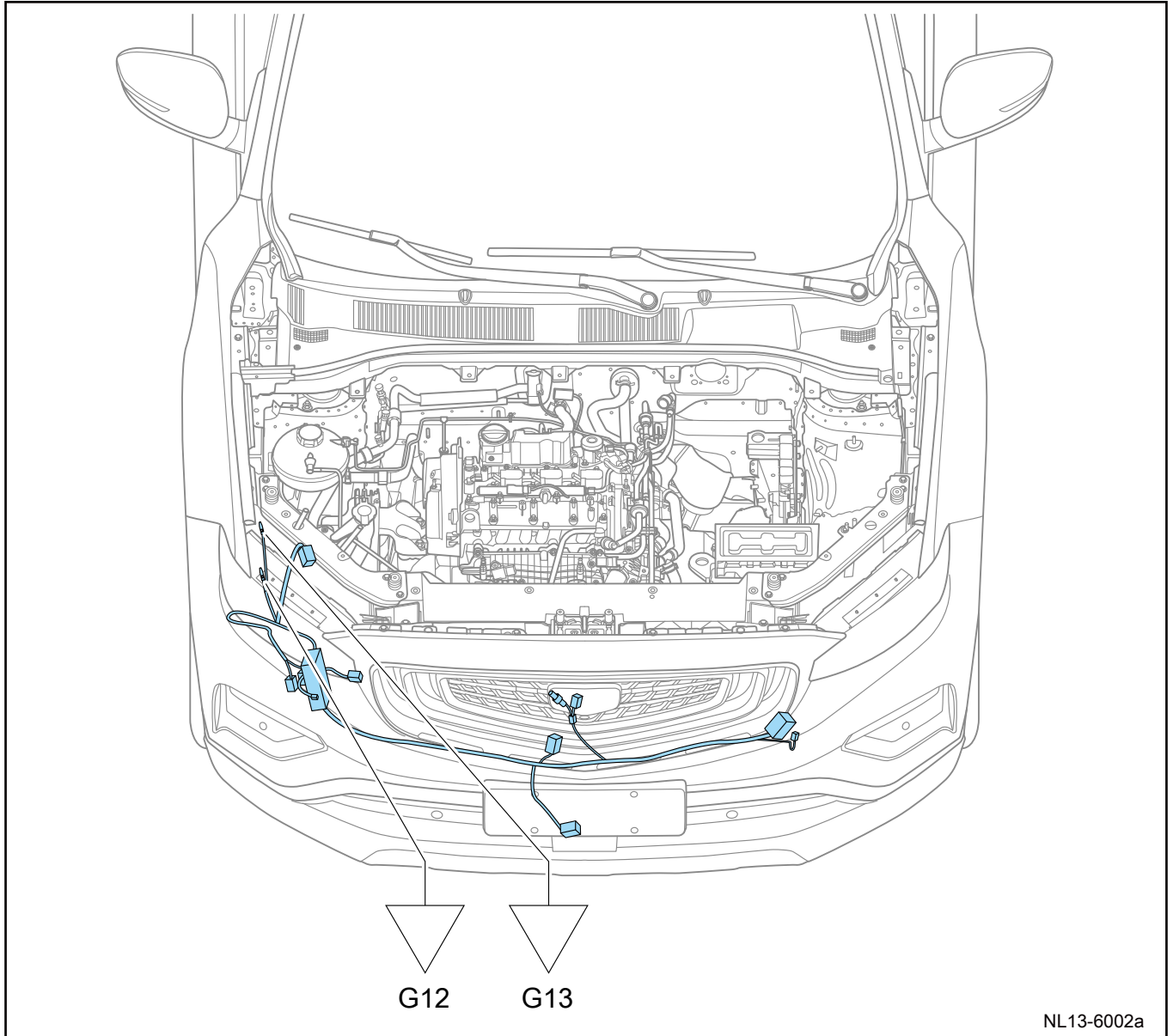


NL13-6021a

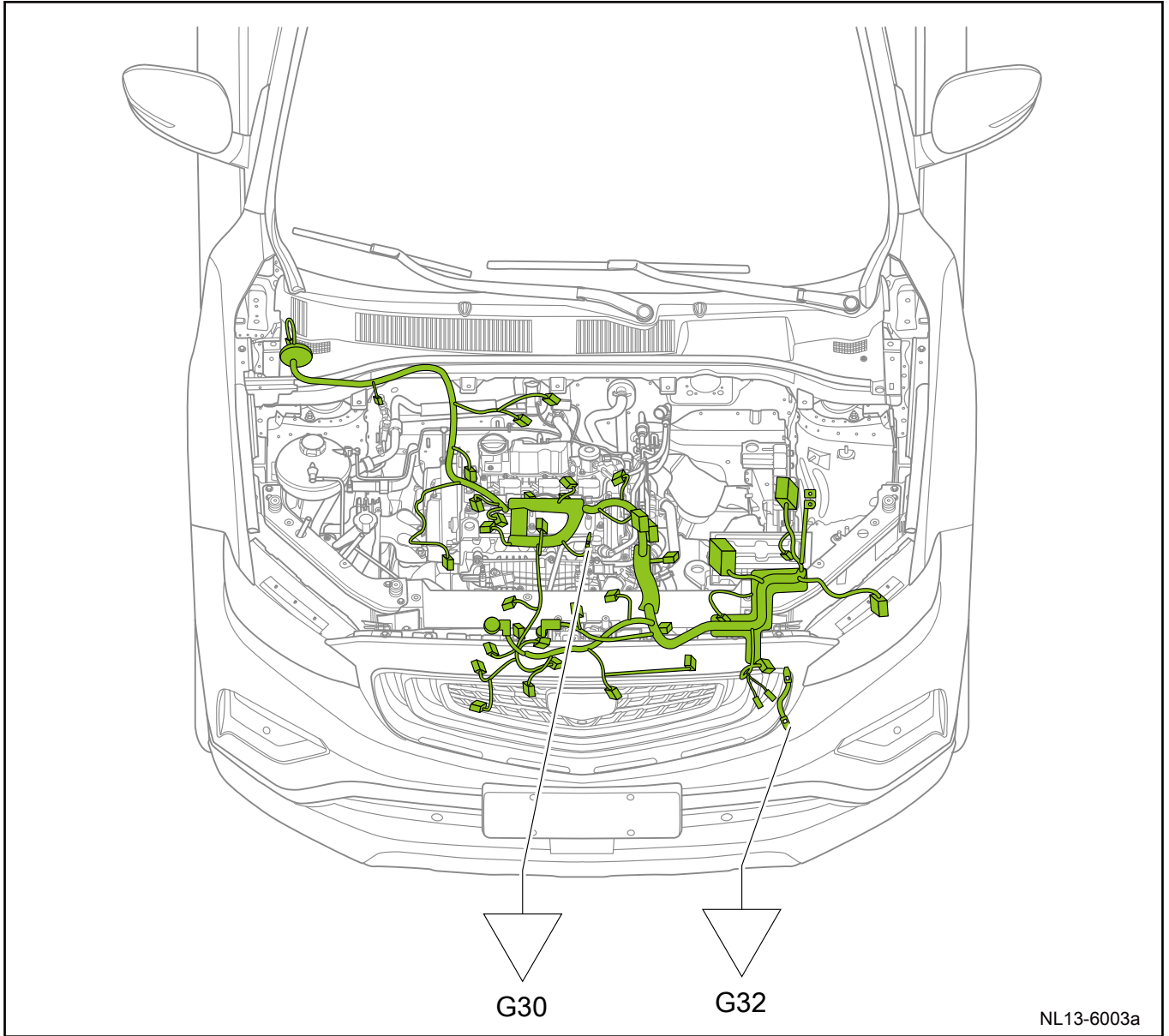
Layout of Engine compartment Ground Point



Layout of Engine compartment Ground Point(Part 1)

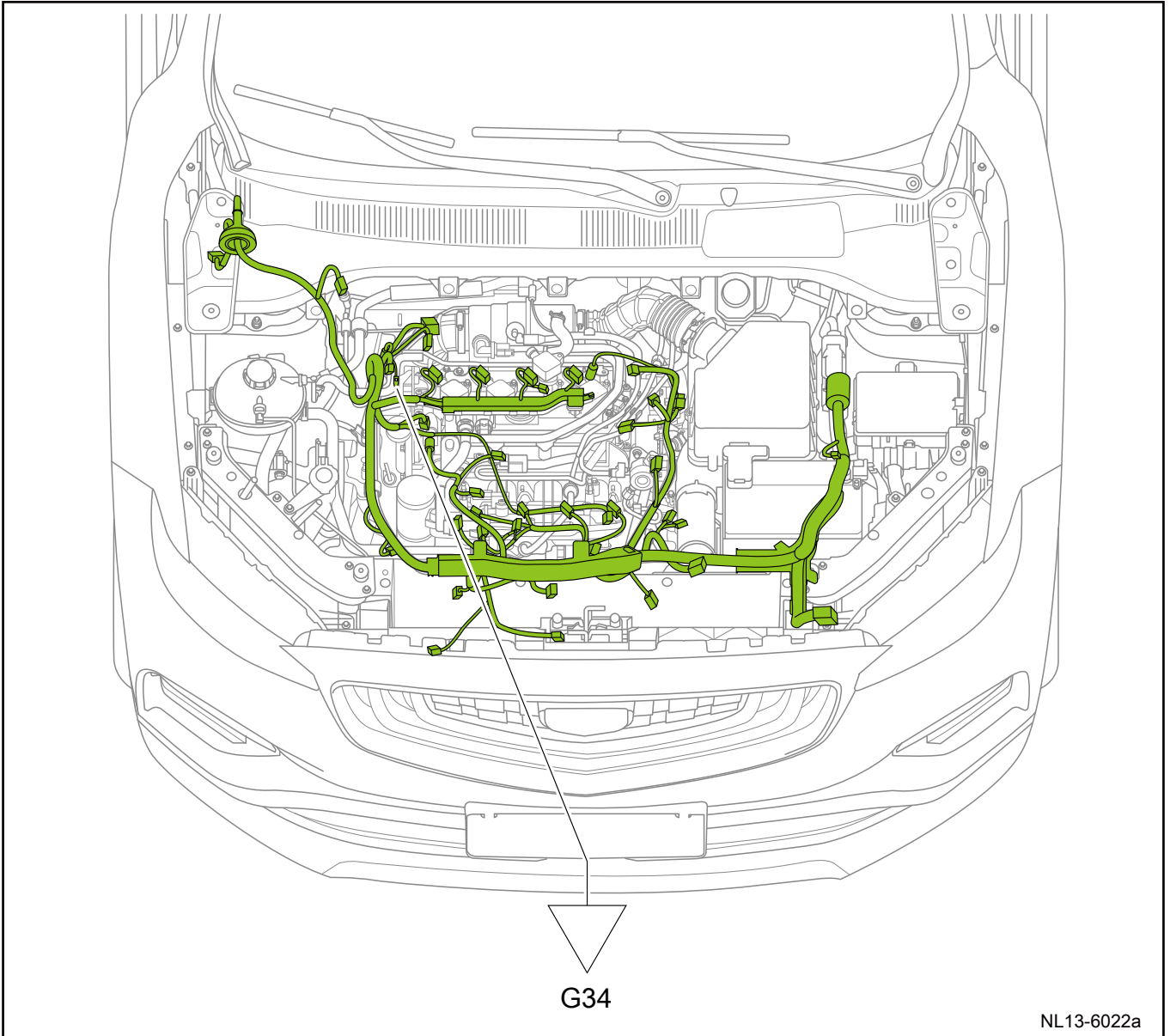


Layout of Engine Harness Ground Point(JLH\_3G15TD)



NL13-6003a

Layout of Engine Harness Ground Point(JLE\_4G18TD)

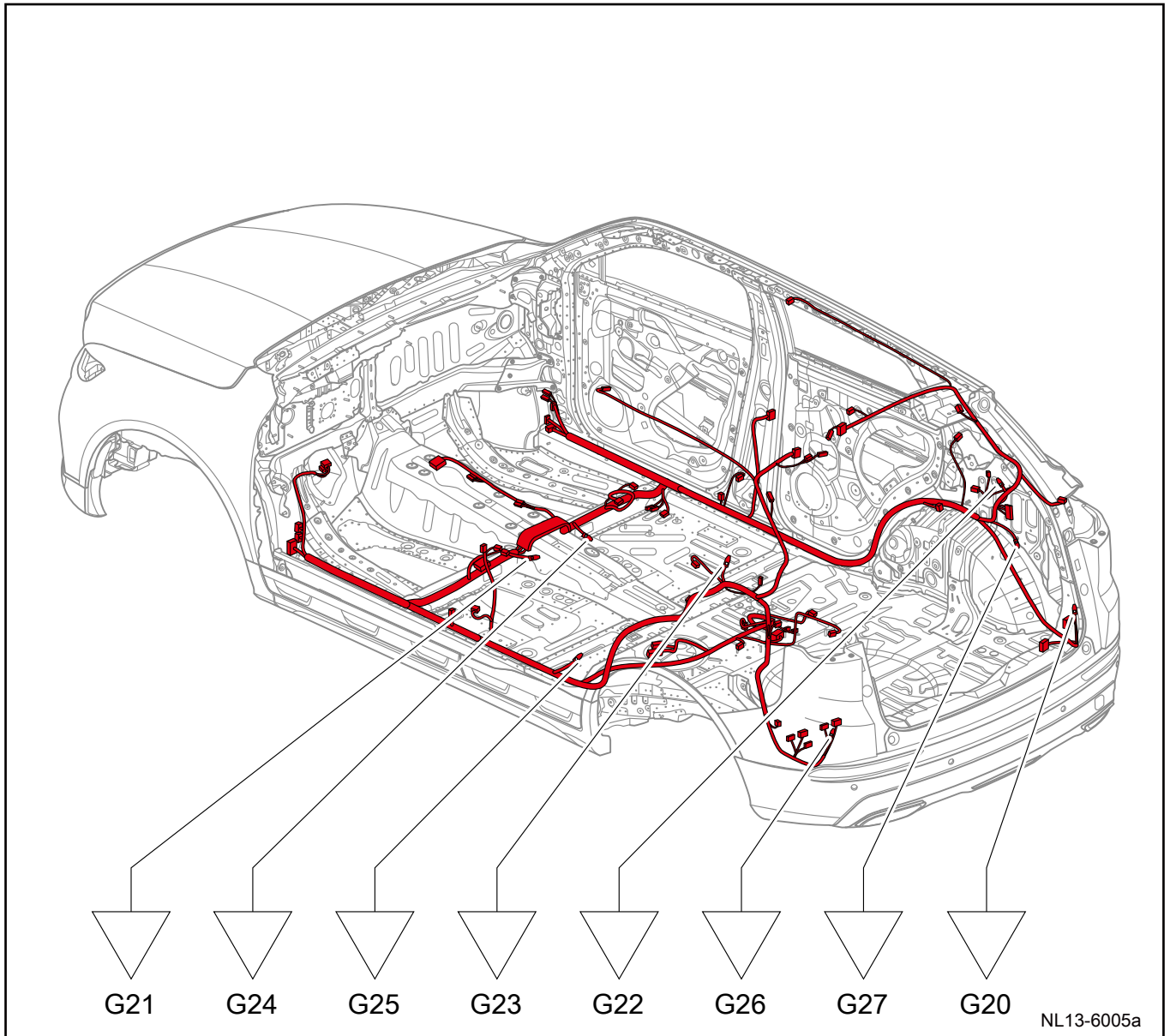


NL13-6022a

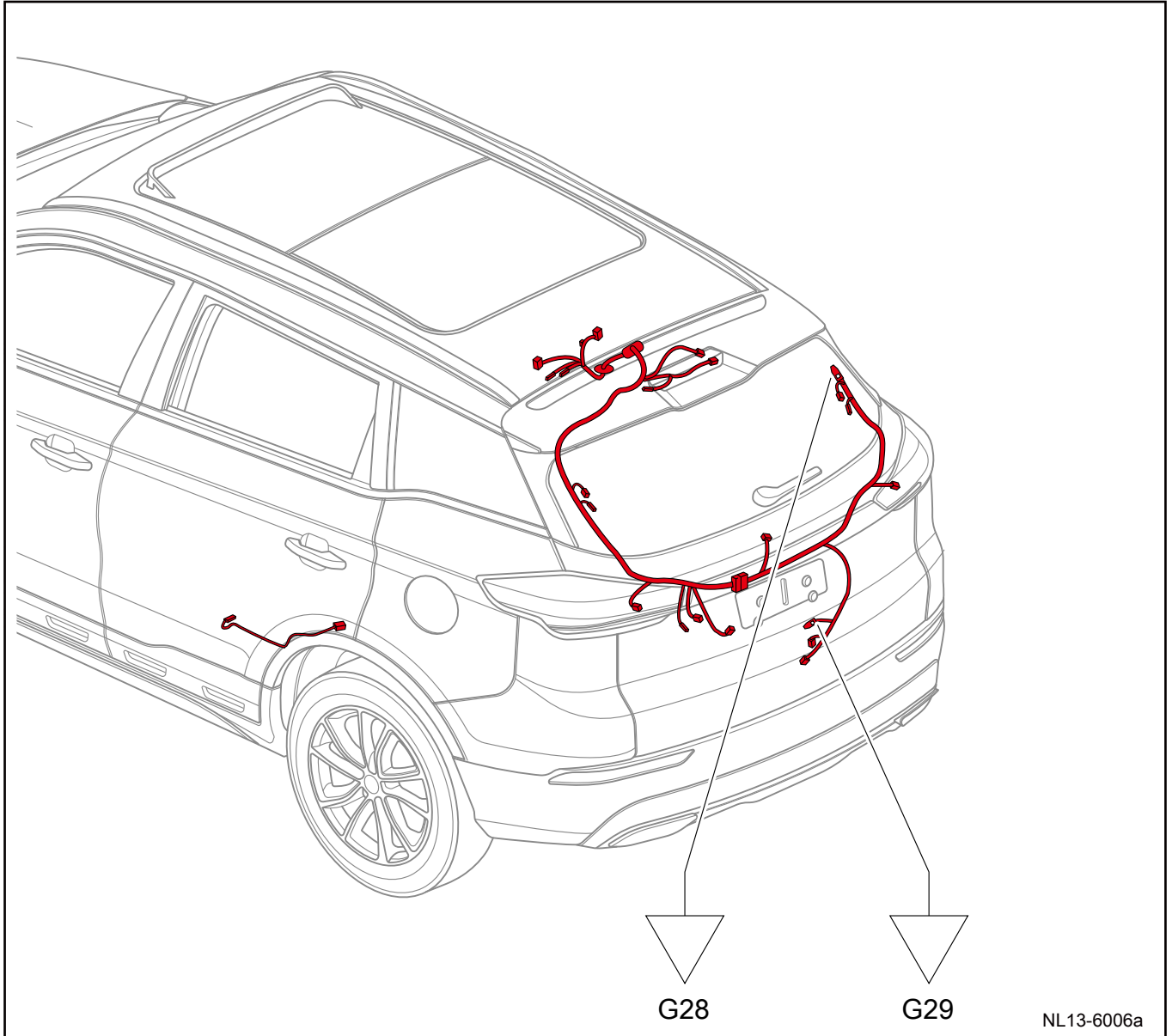
Layout of Instrument panel Harness Ground Point



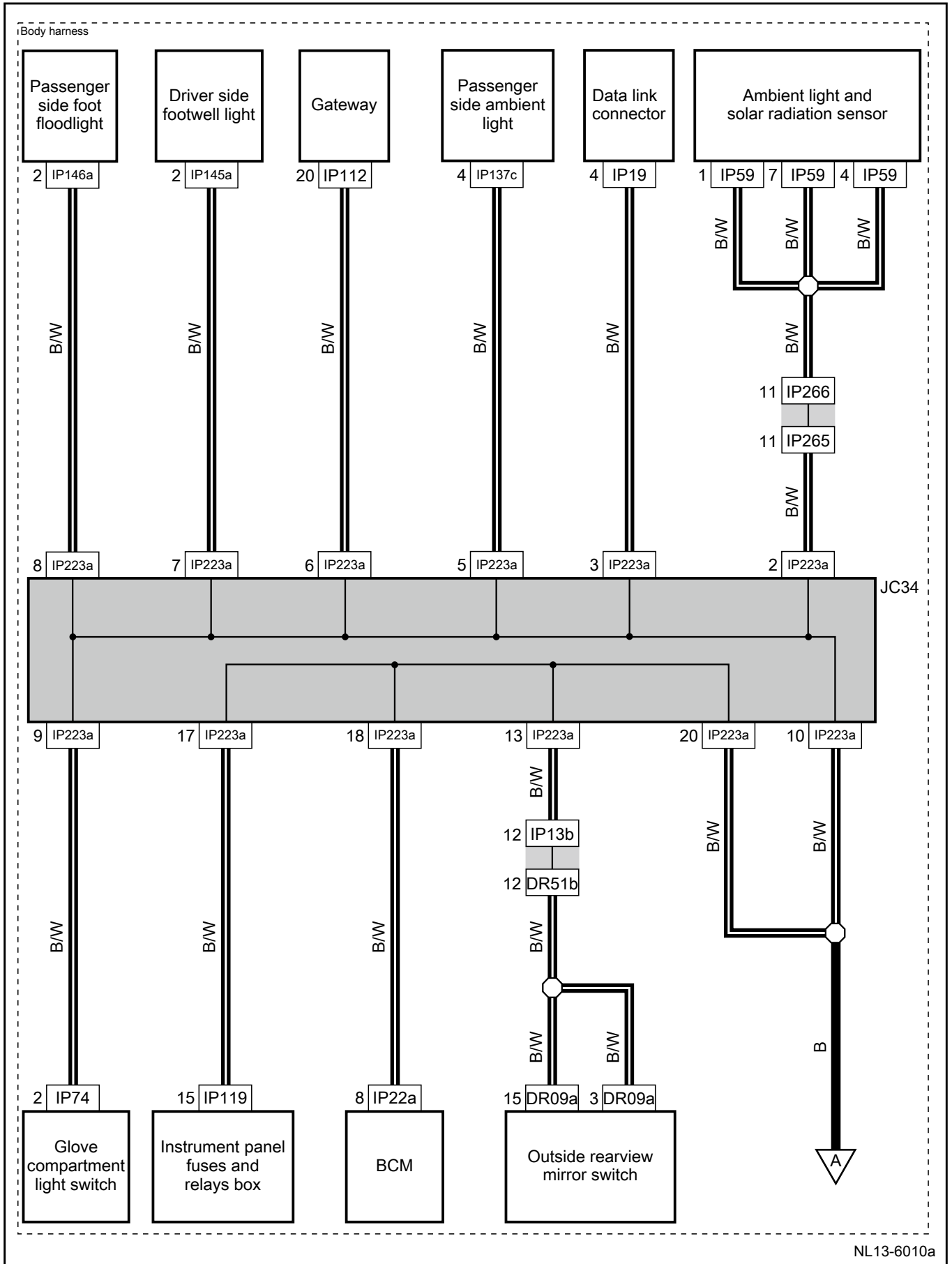
Layout of Floor Harness Ground Point



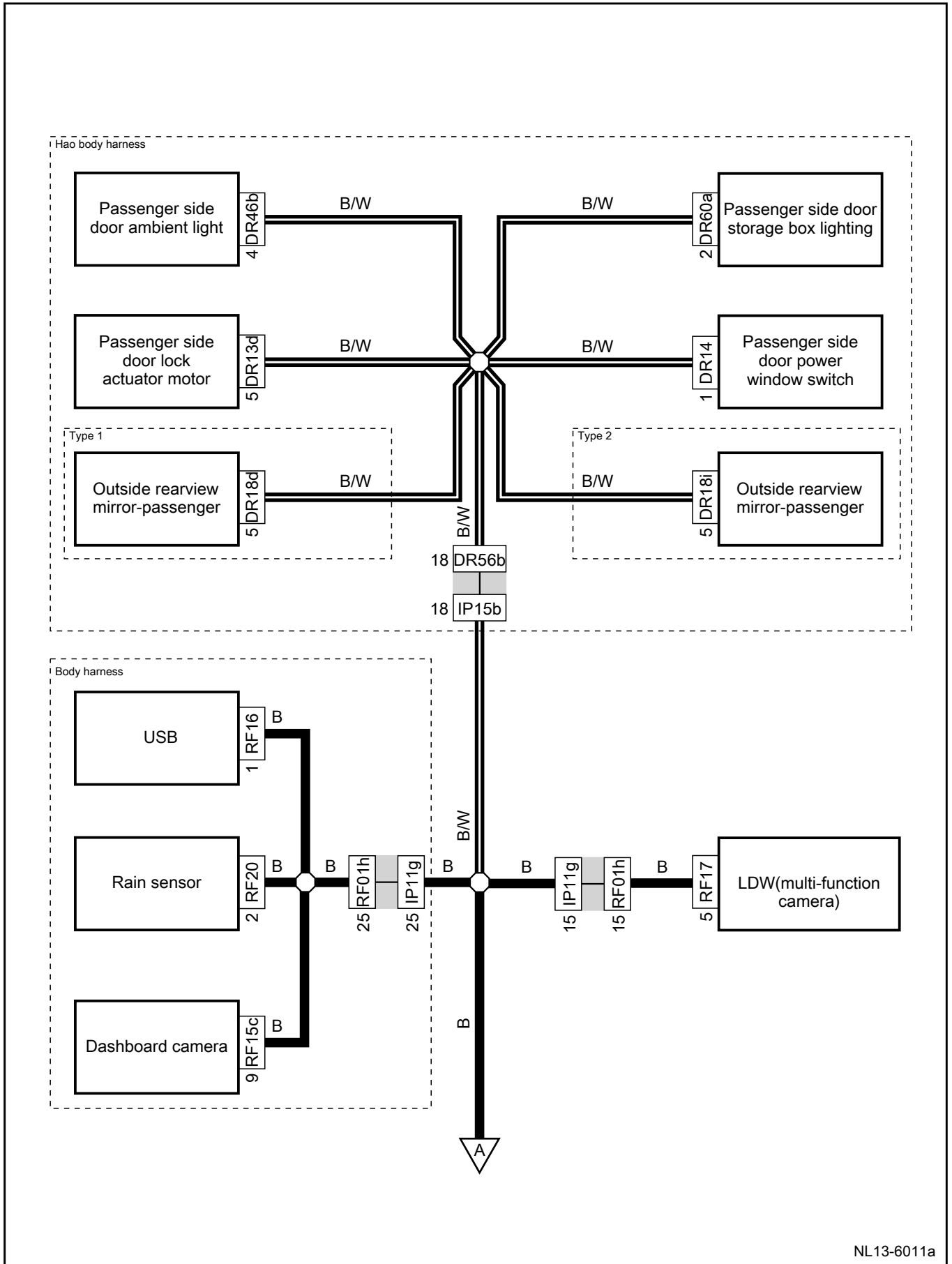
Layout of Floor Harness Ground Point(Part 1)



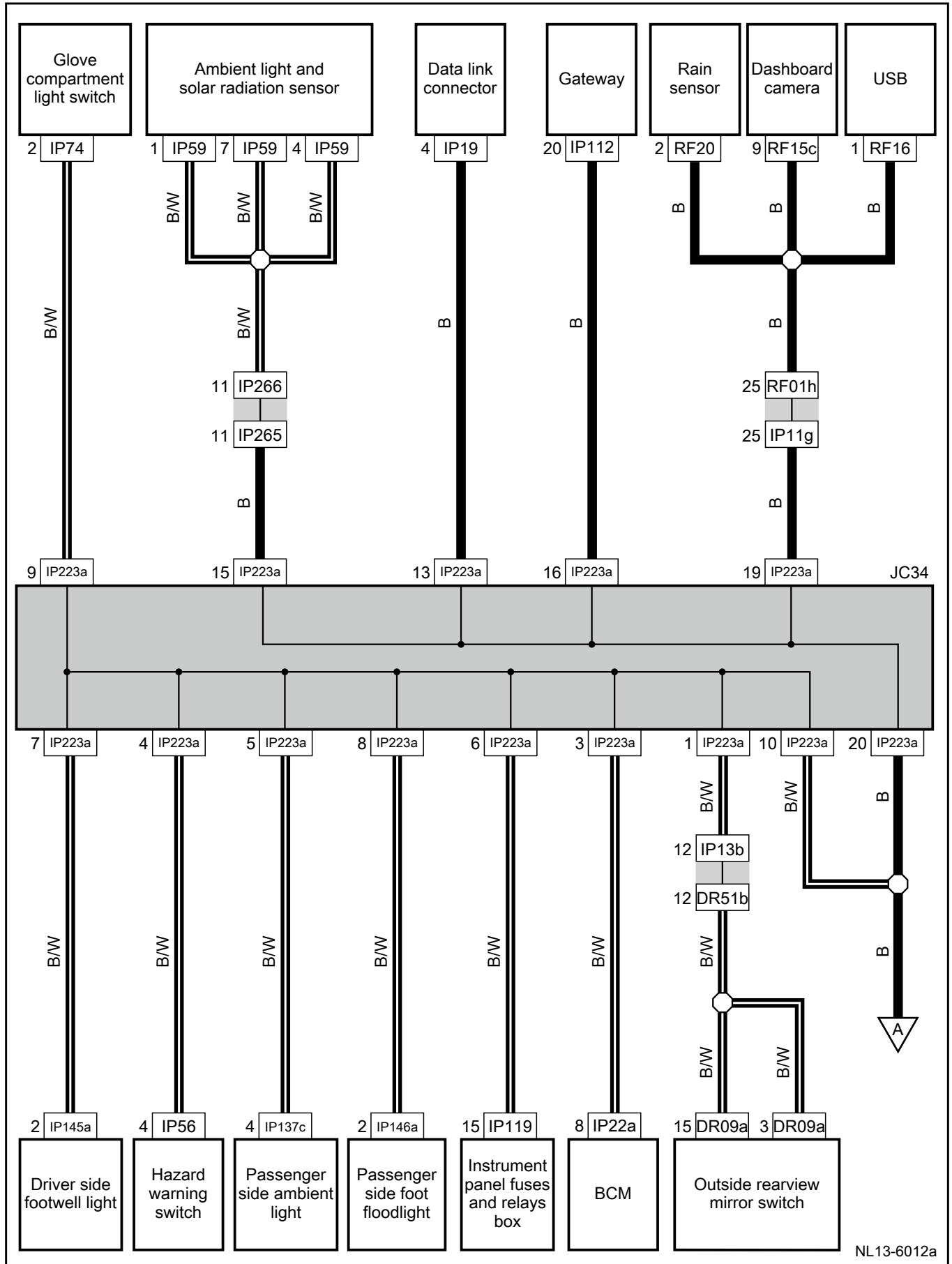
Ground Distribution 1(G02)



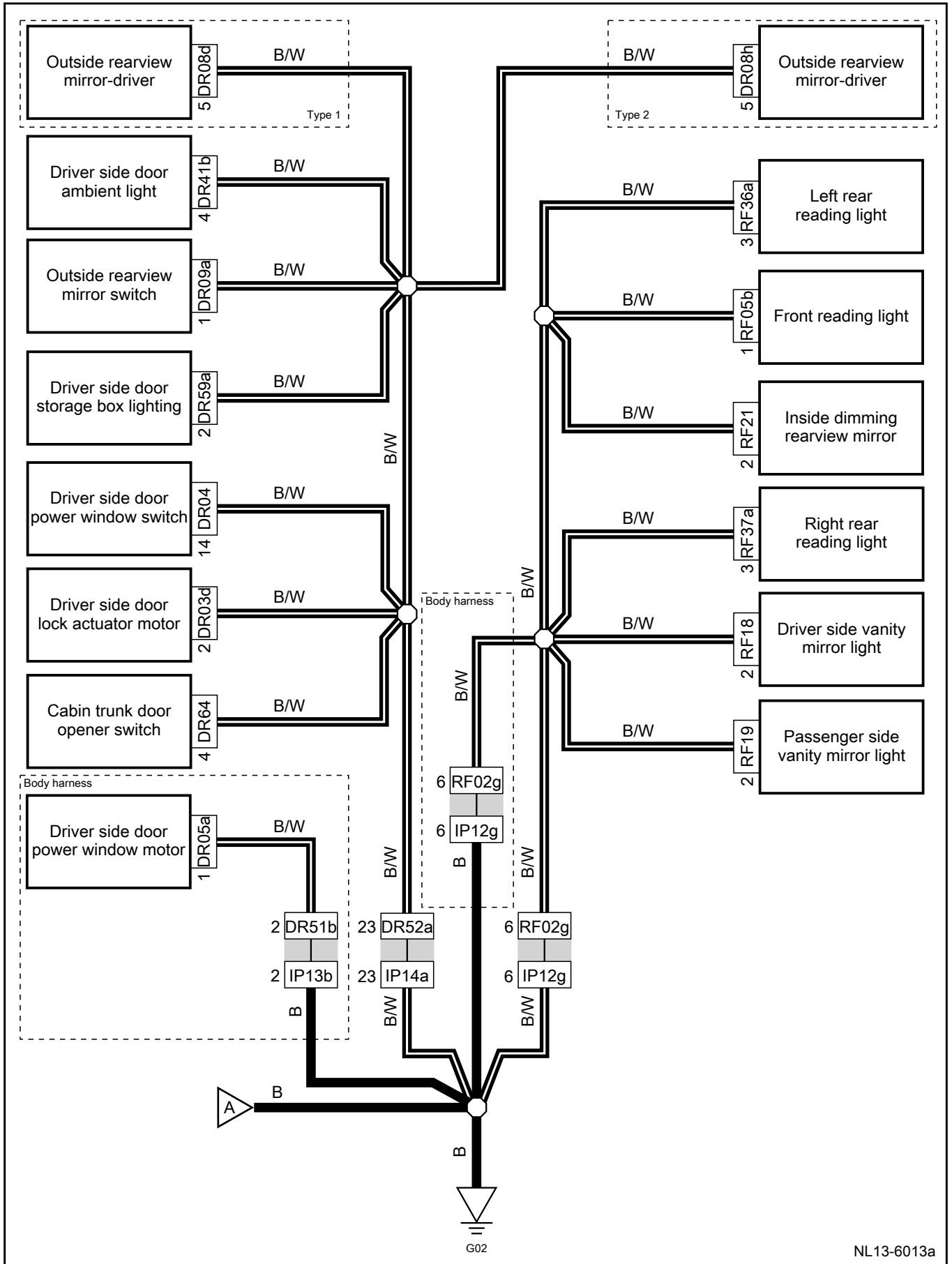
Ground Distribution 2(Part G02)



Ground Distribution 3(Part G02)

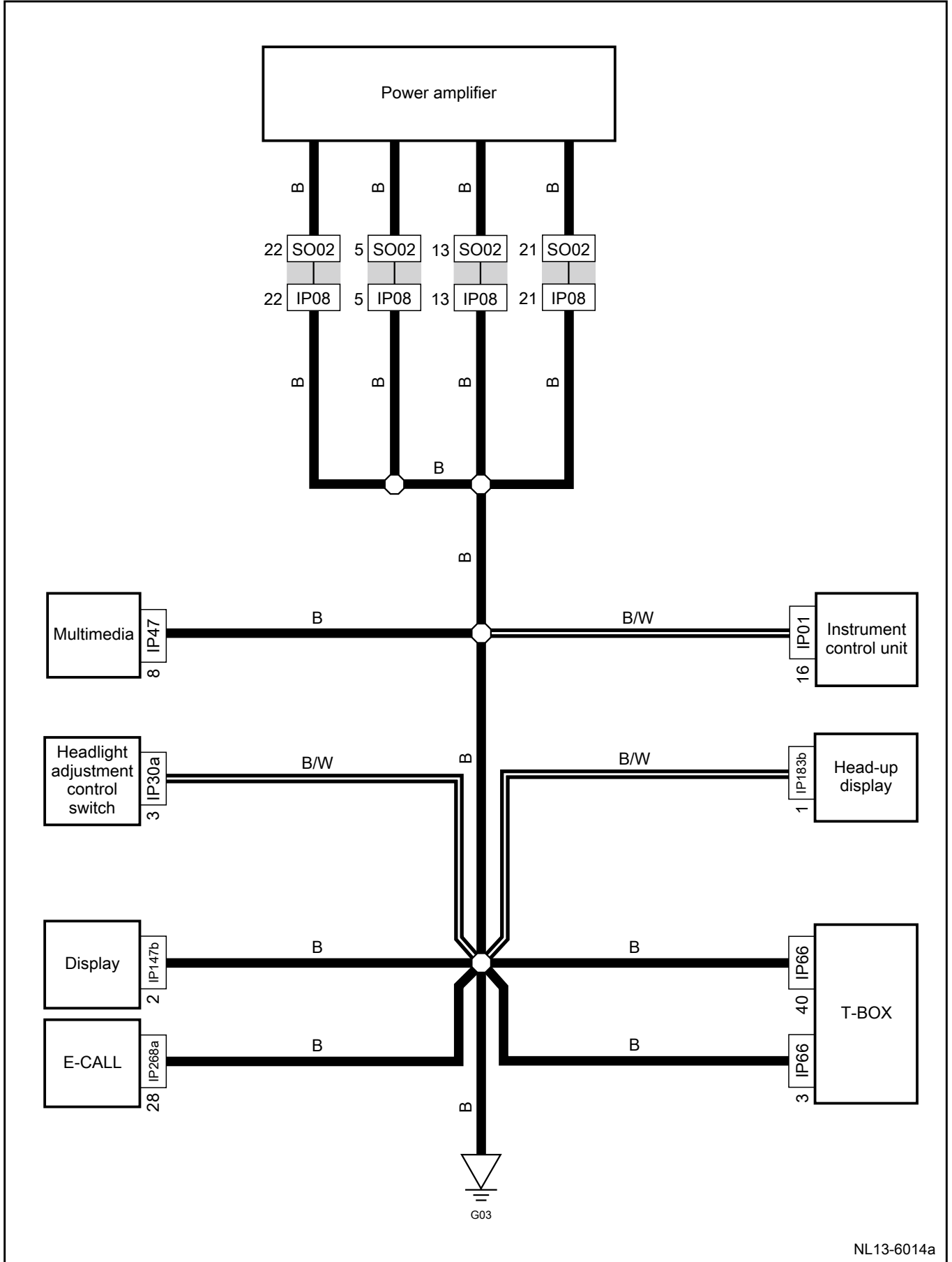


Ground Distribution 4(Part G02)



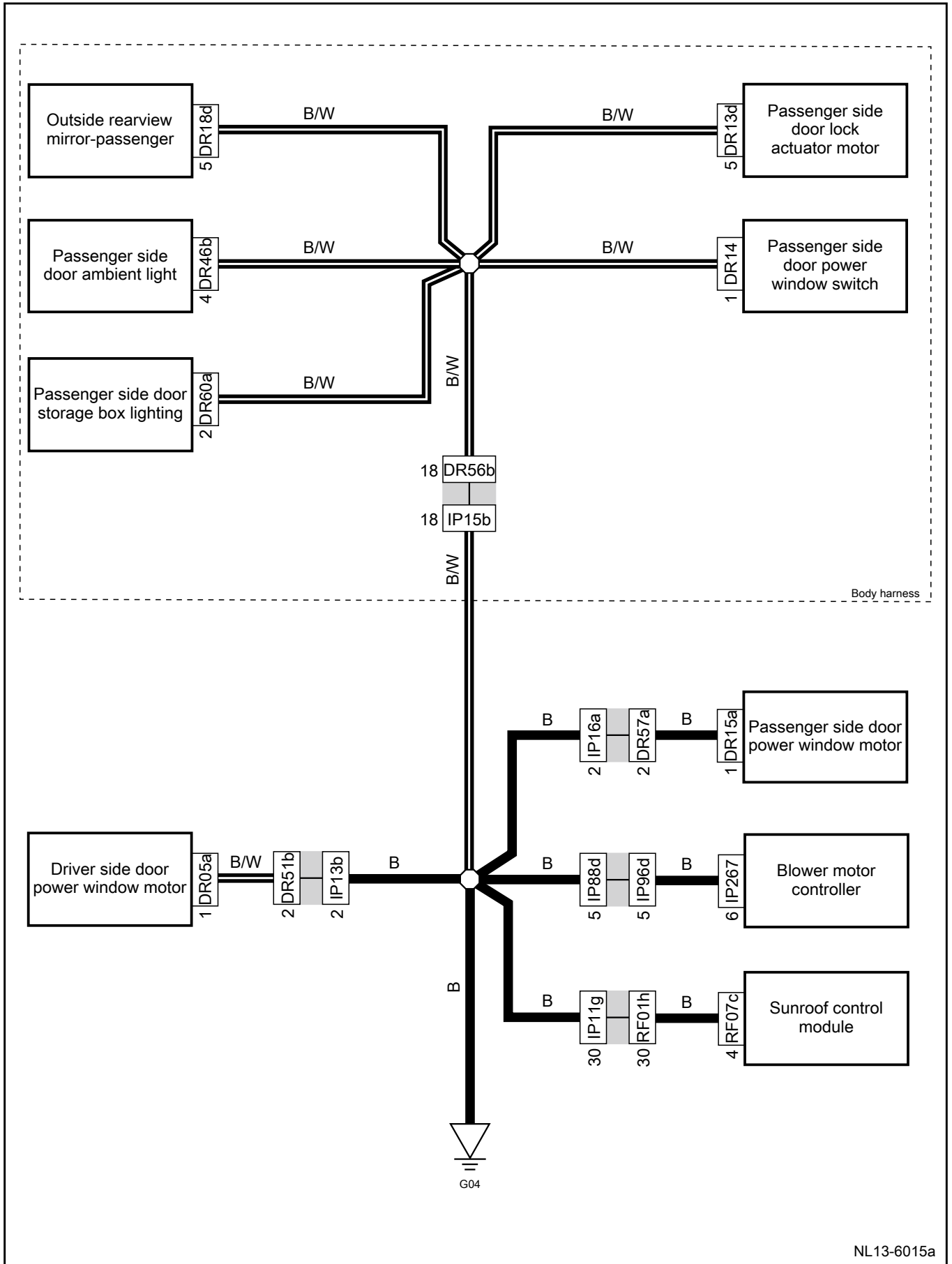
NL13-6013a

Ground Distribution 5(G03)

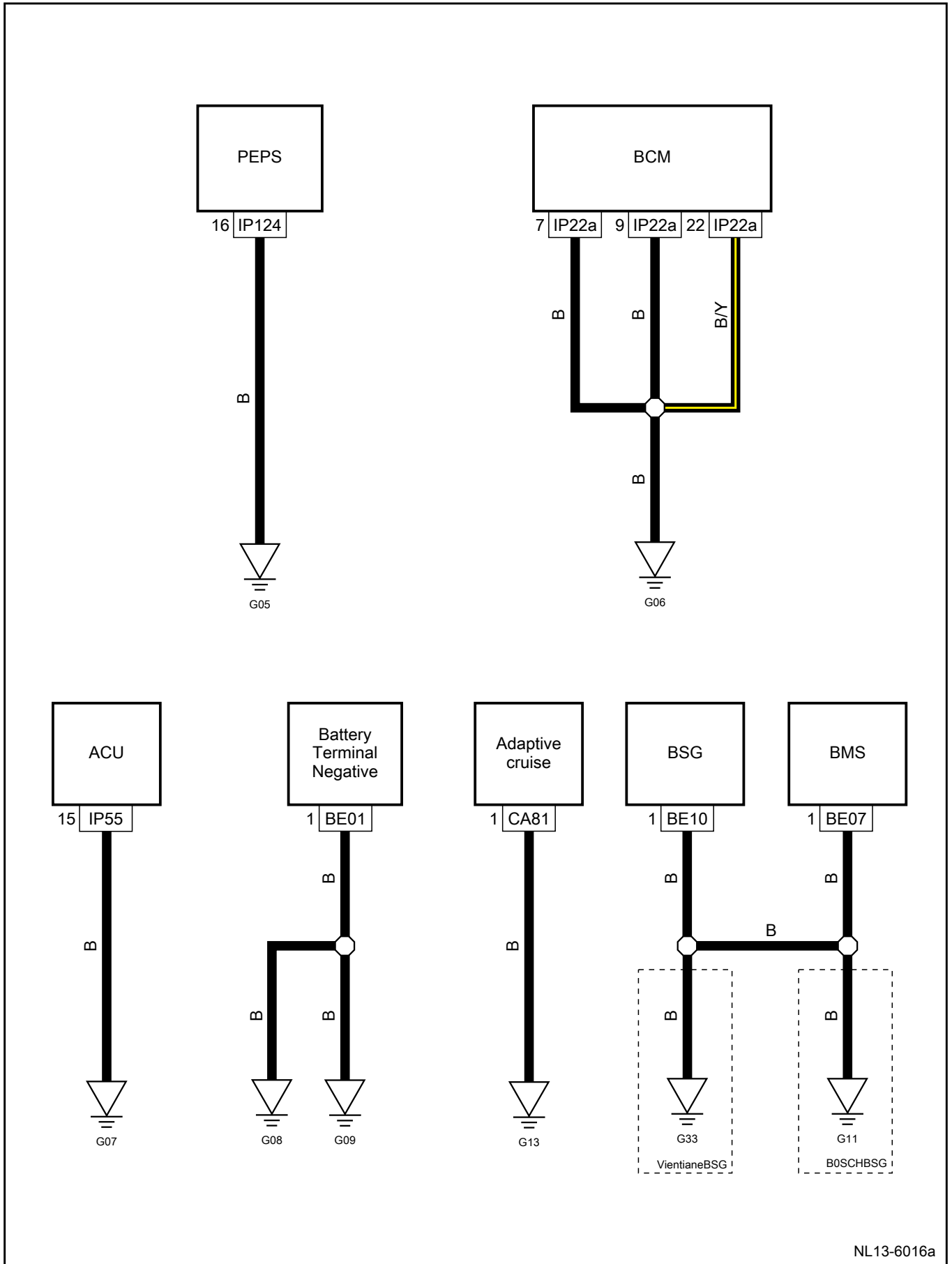


NL13-6014a

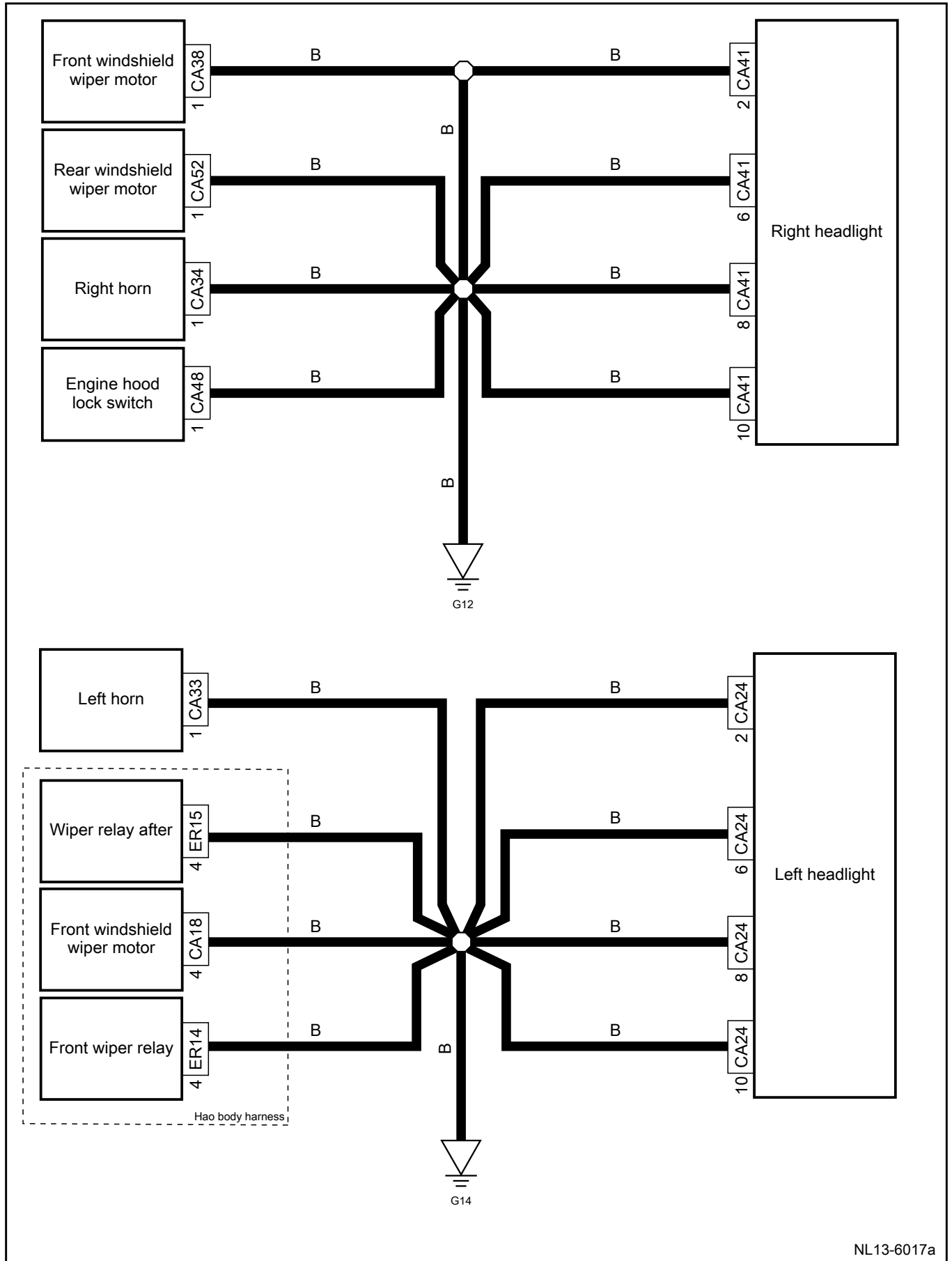
Ground Distribution 6(G04)



Ground Distribution 7(G05、G06、G07、G08、G09、G11、G13、G33)

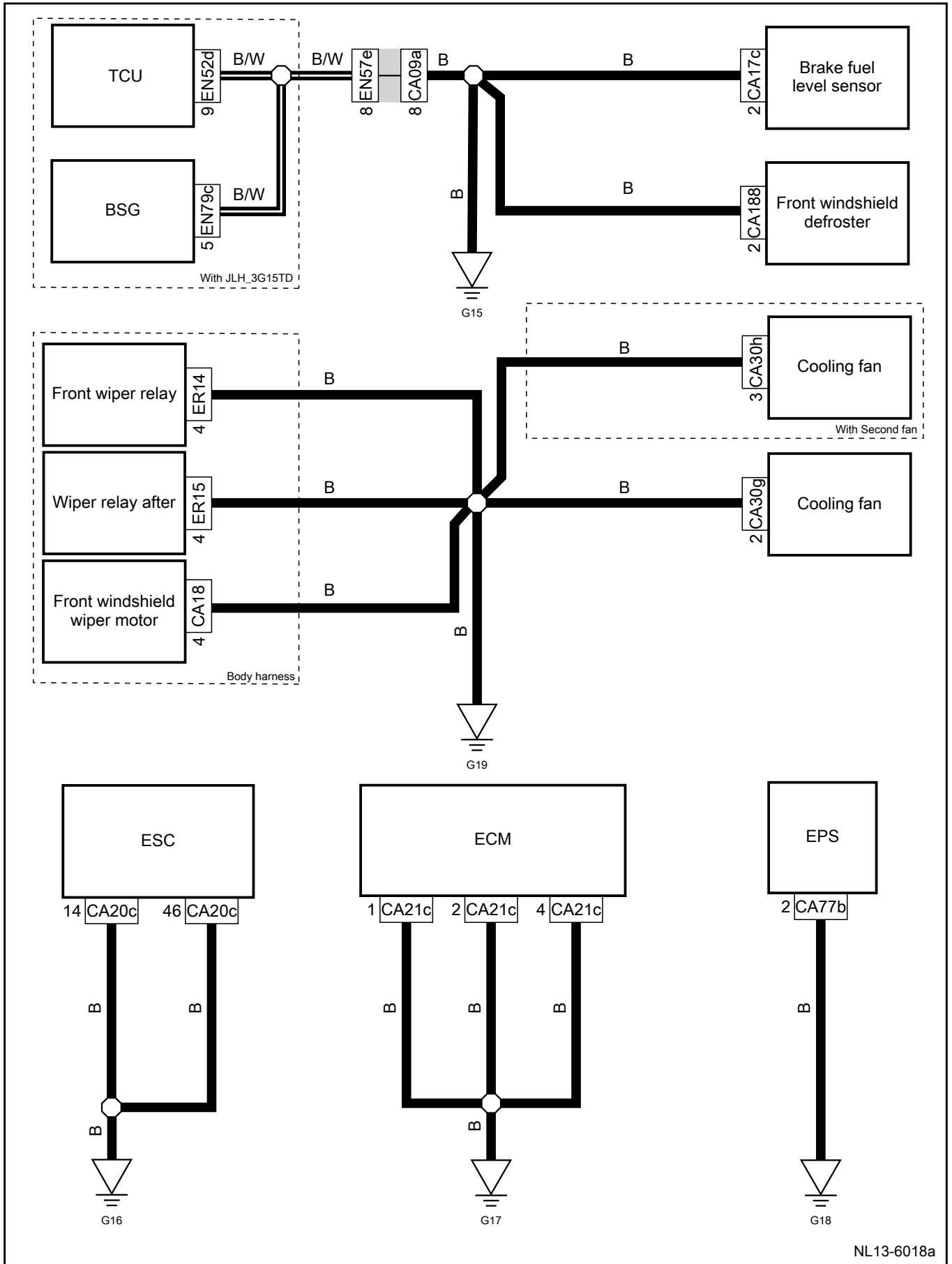


Ground Distribution 8(G12、 G14)

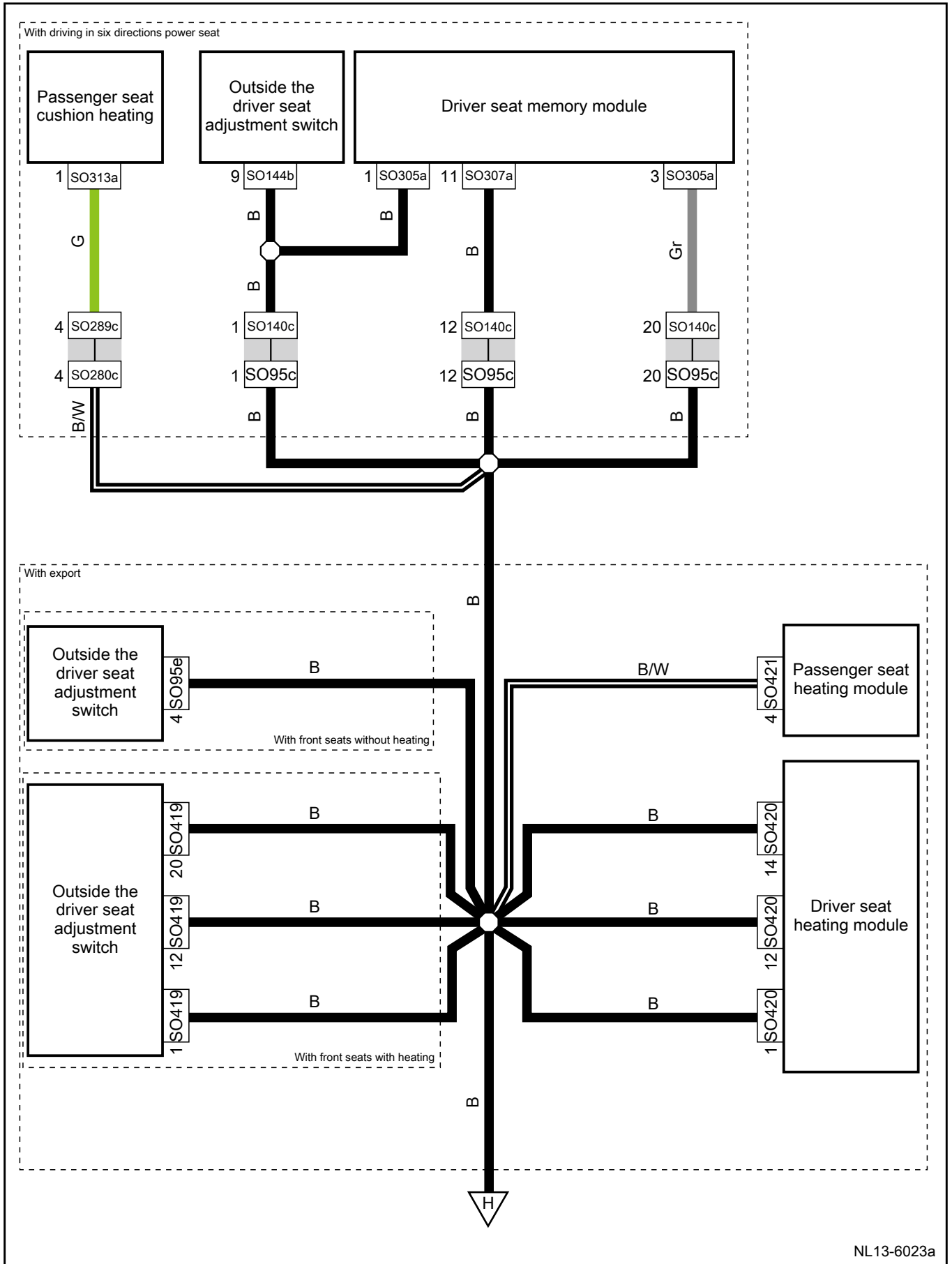


NL13-6017a

Ground Distribution 9(G15, G16, G17, G18, G19)

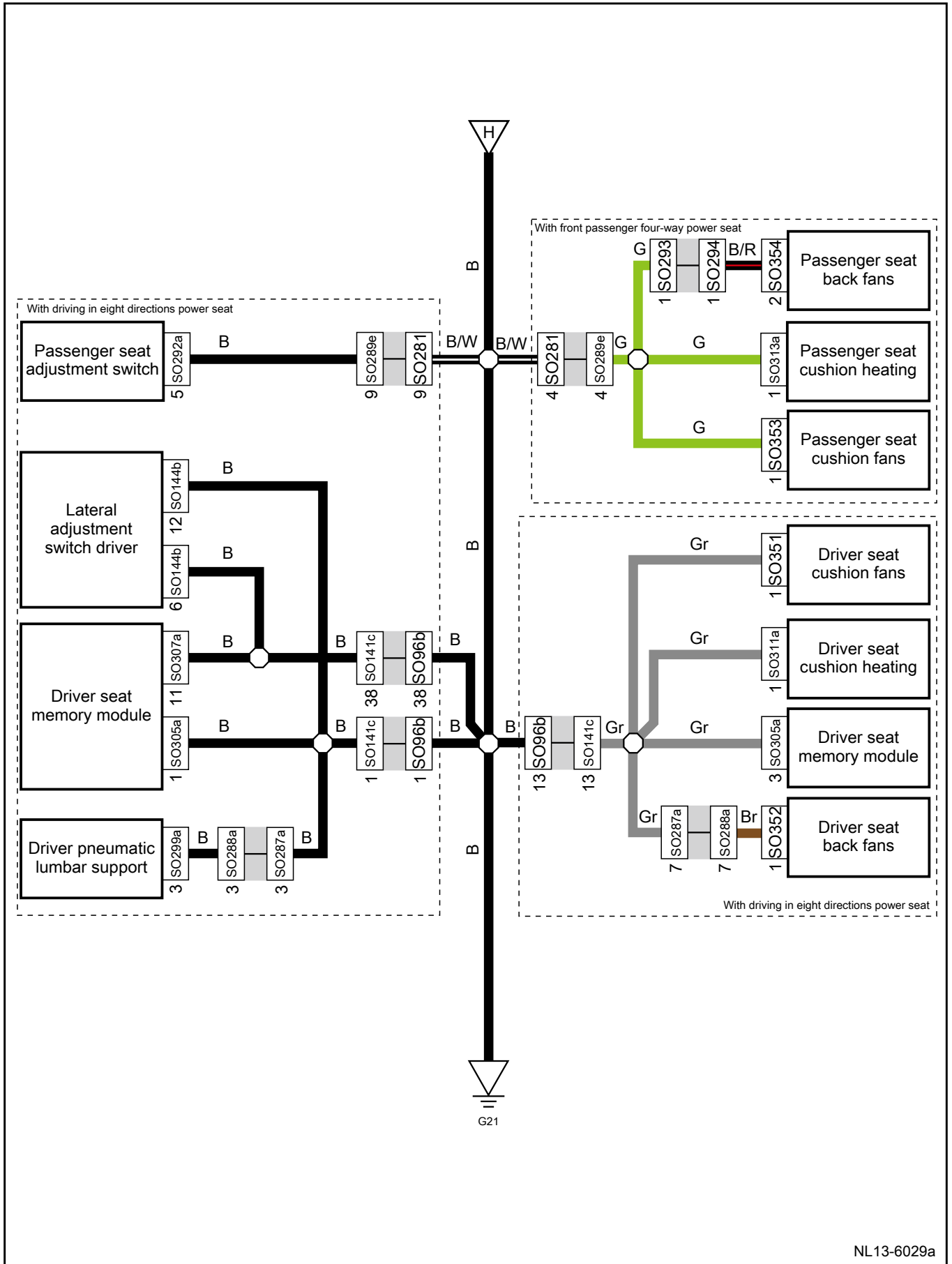


Ground Distribution 10(G21)



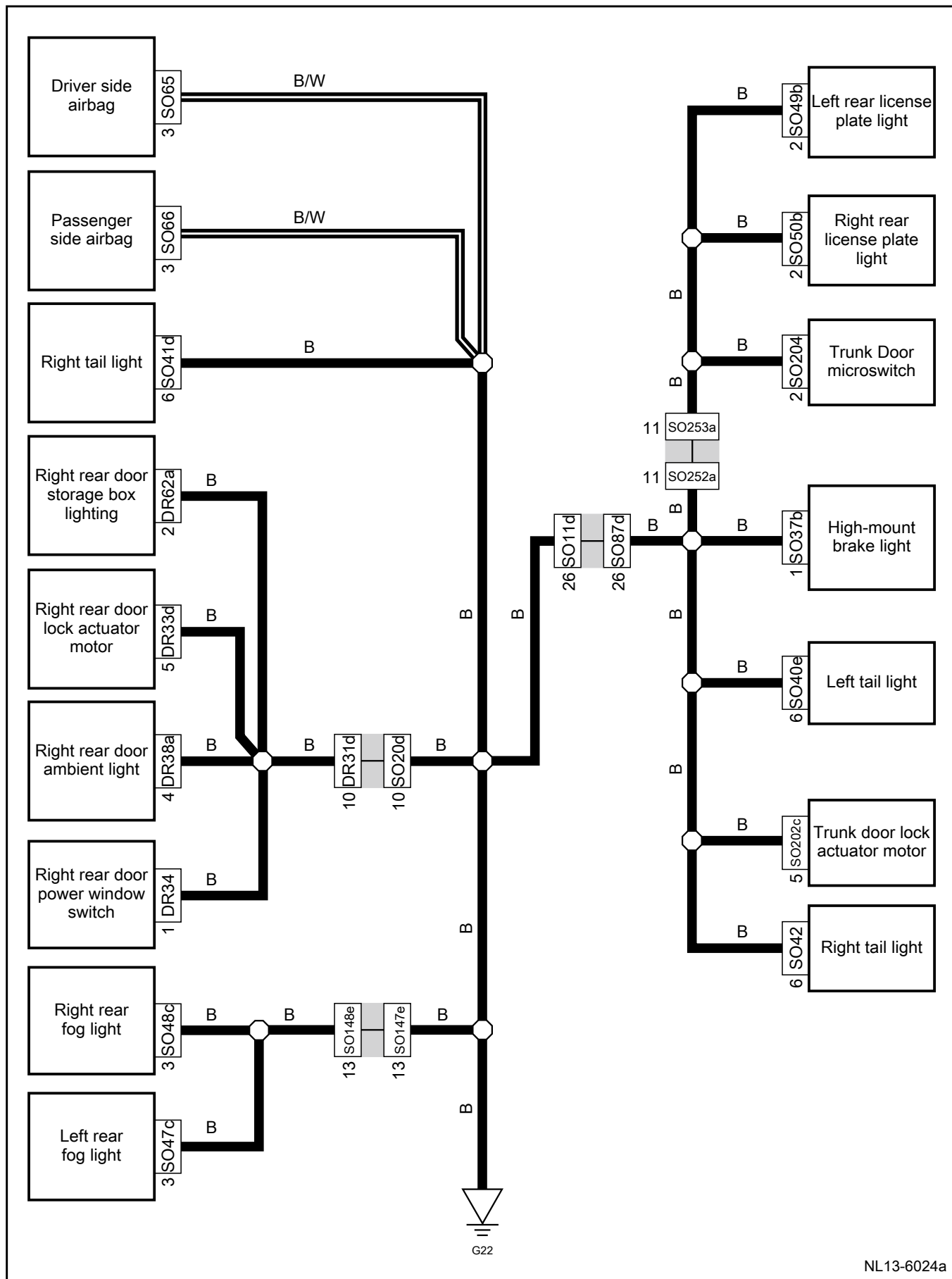
NL13-6023a

Ground Distribution 11(Part G21)



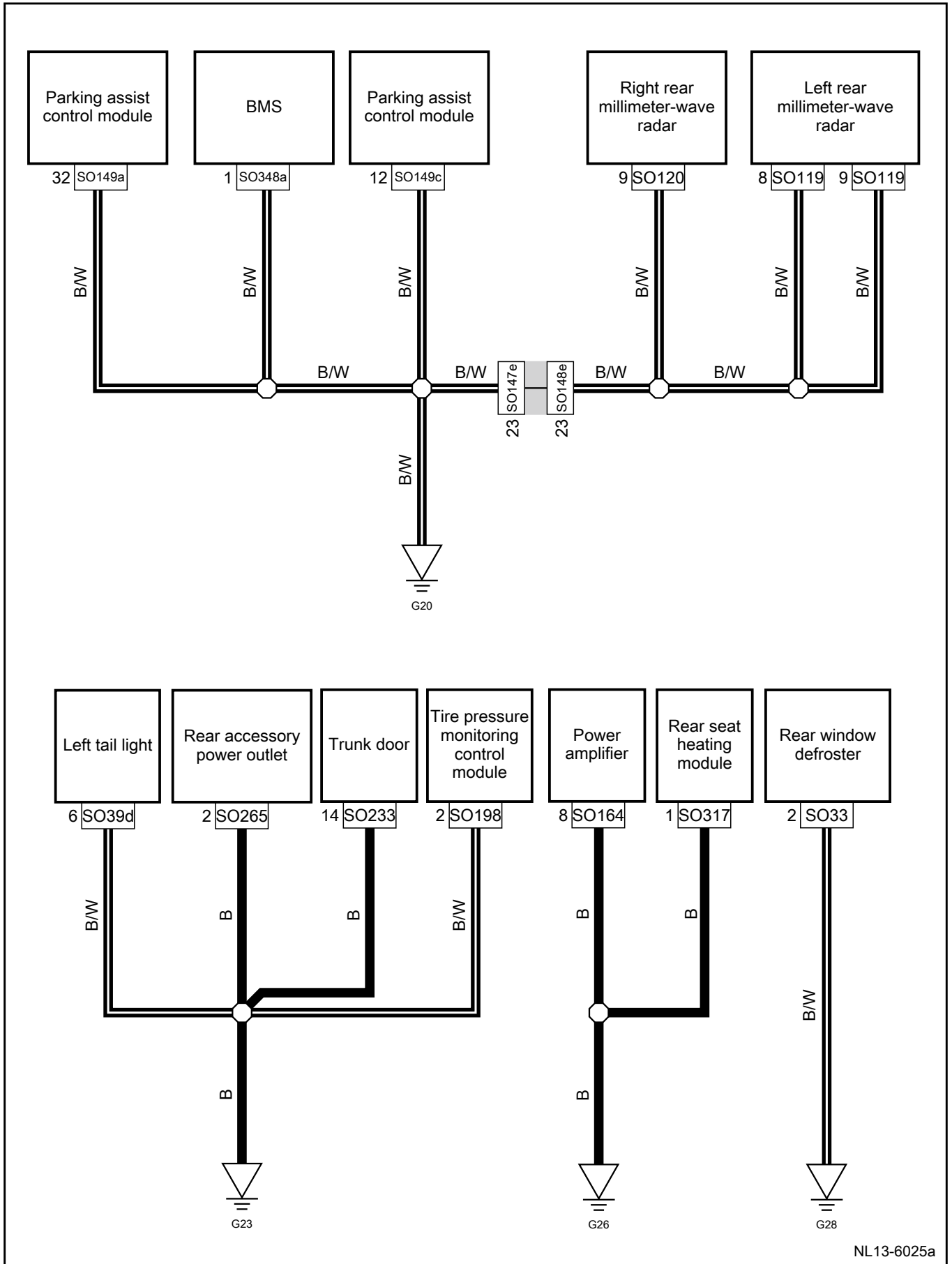
NL13-6029a

Ground Distribution 12(G22)

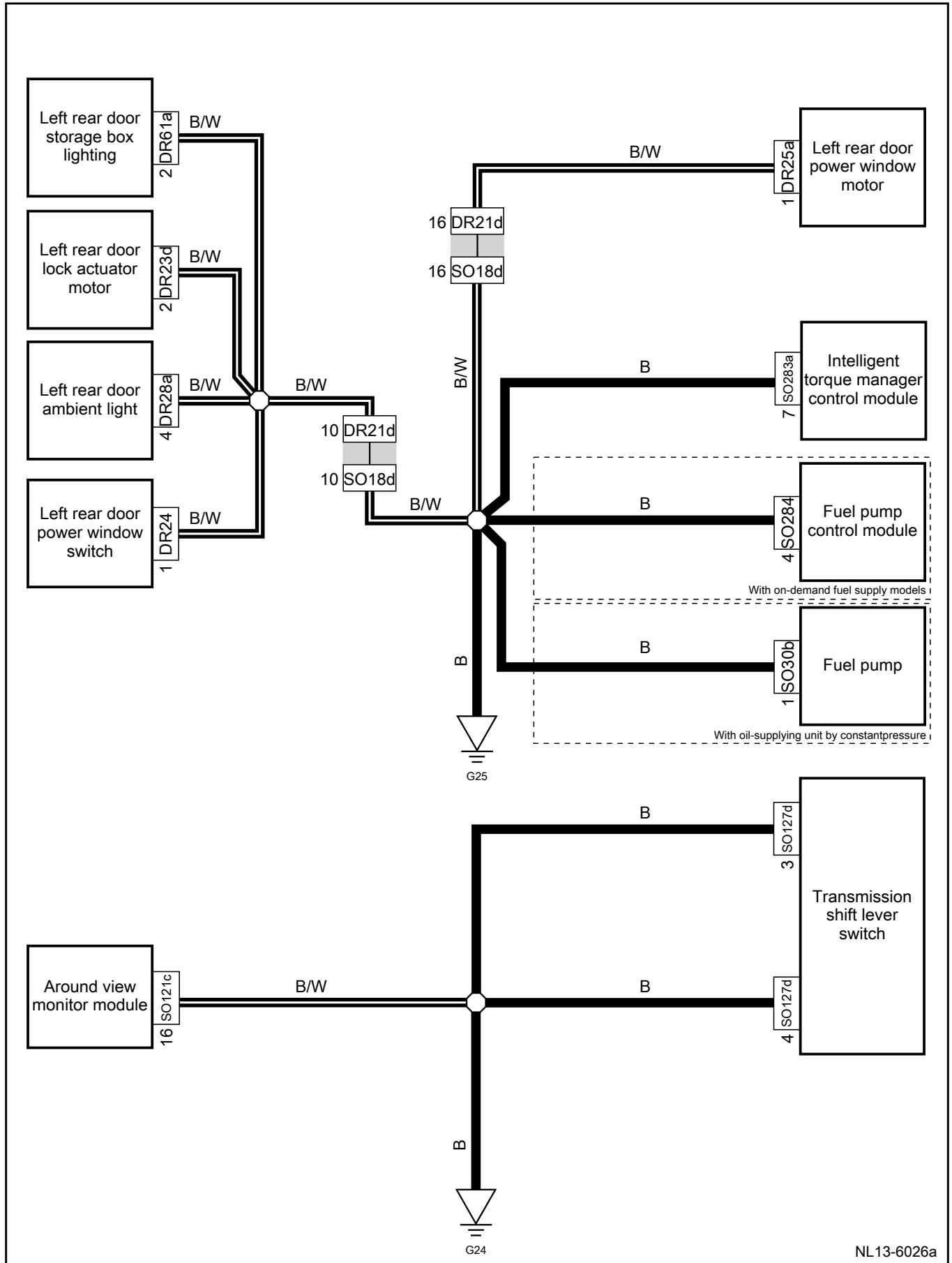


NL13-6024a

Ground Distribution 13(G20、G23、G26、G28)

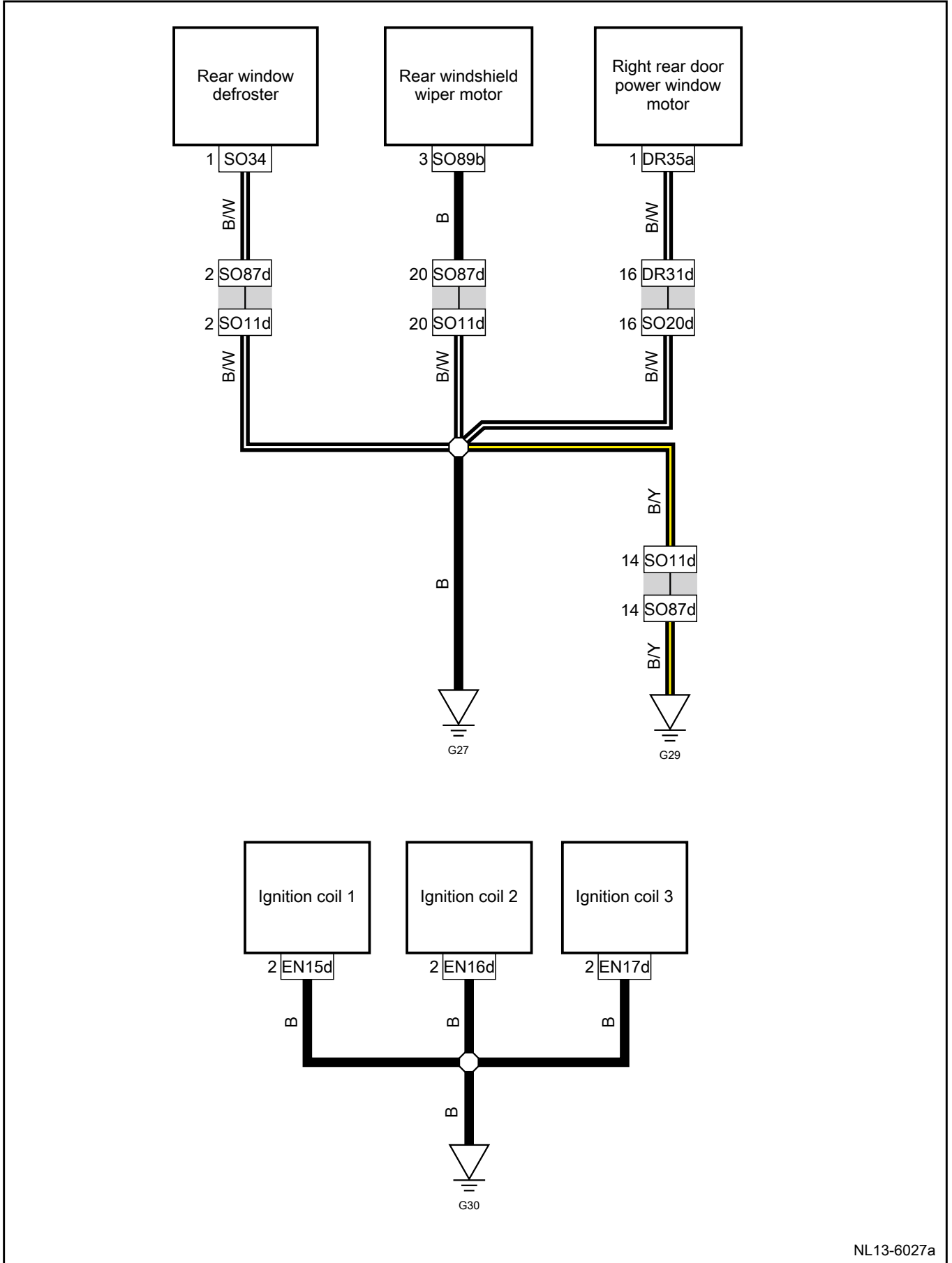


Ground Distribution 14(G24, G25)



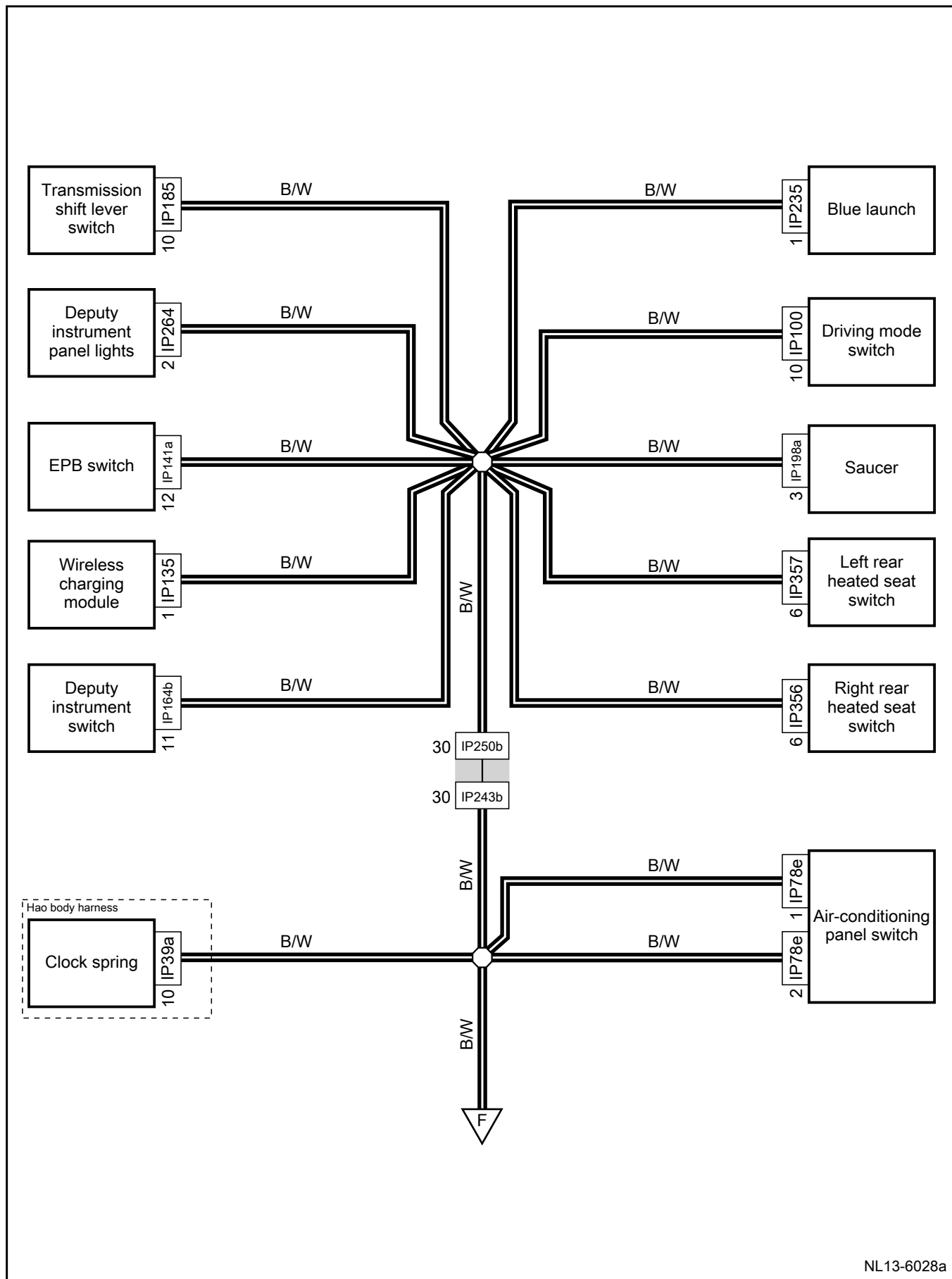
NL13-6026a

Ground Distribution 15(G27、G29、G30)

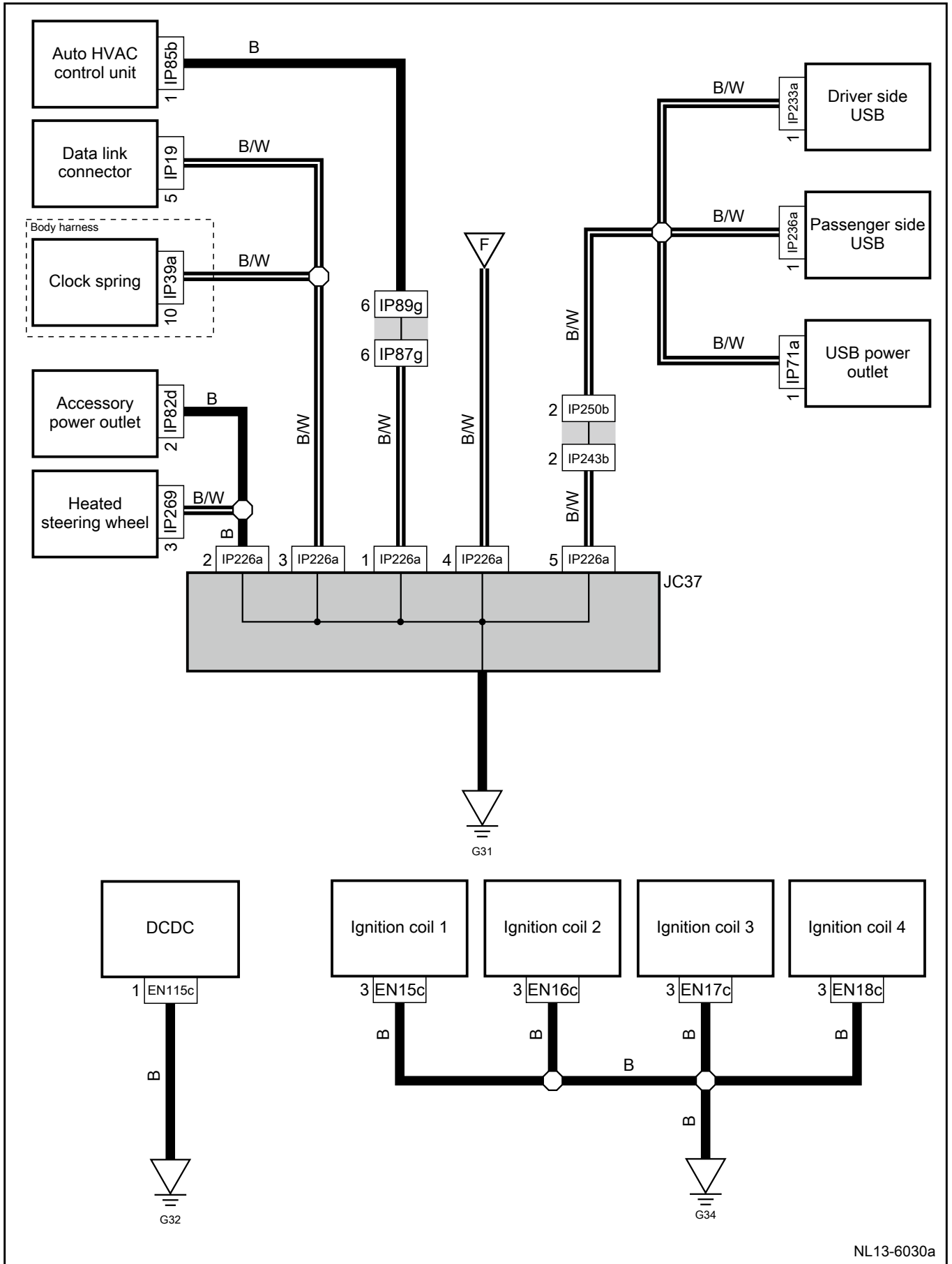


NL13-6027a

Ground Distribution 16(G31)

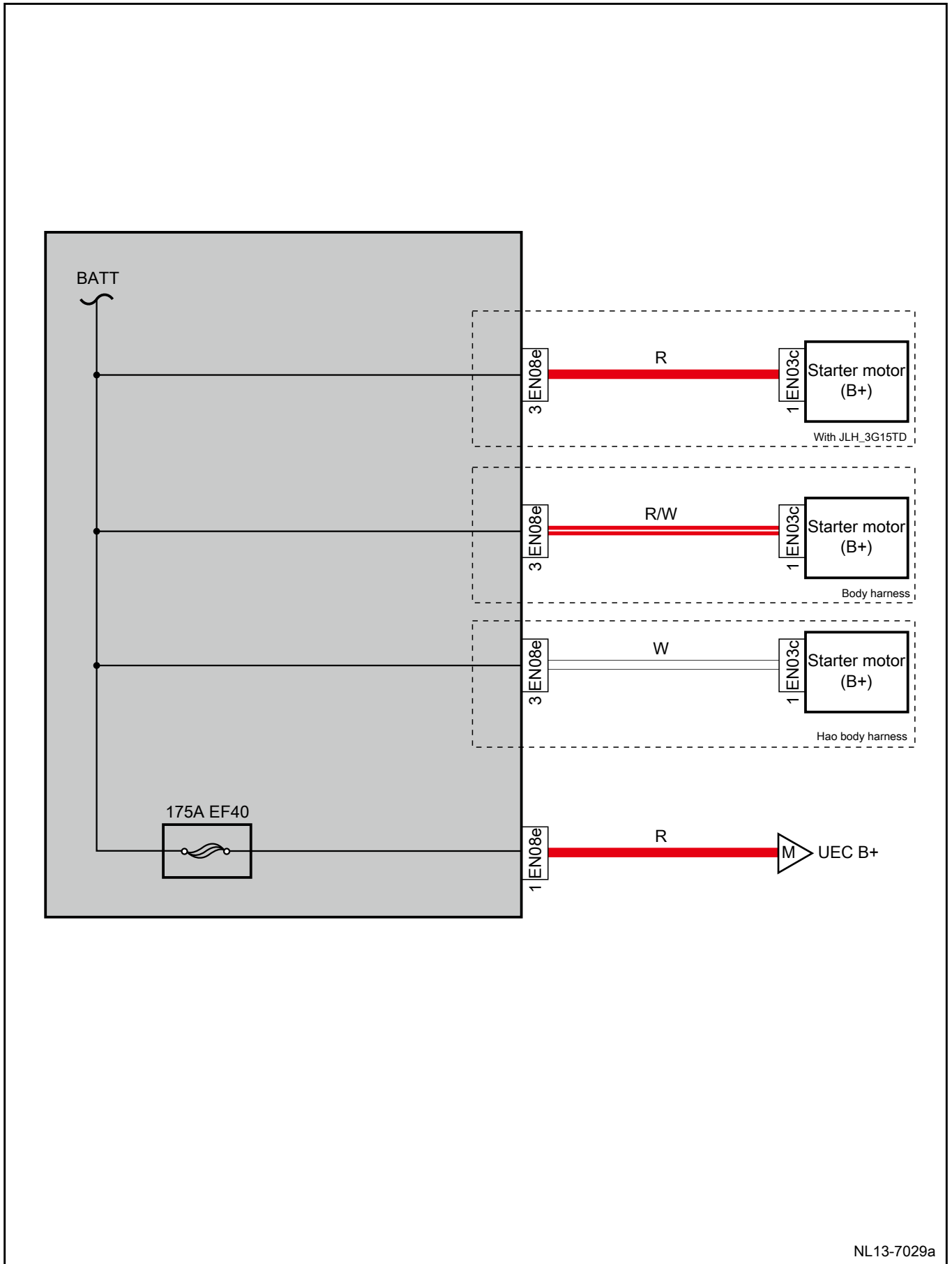


Ground Distribution 17(Part G31、 G32、 G34)



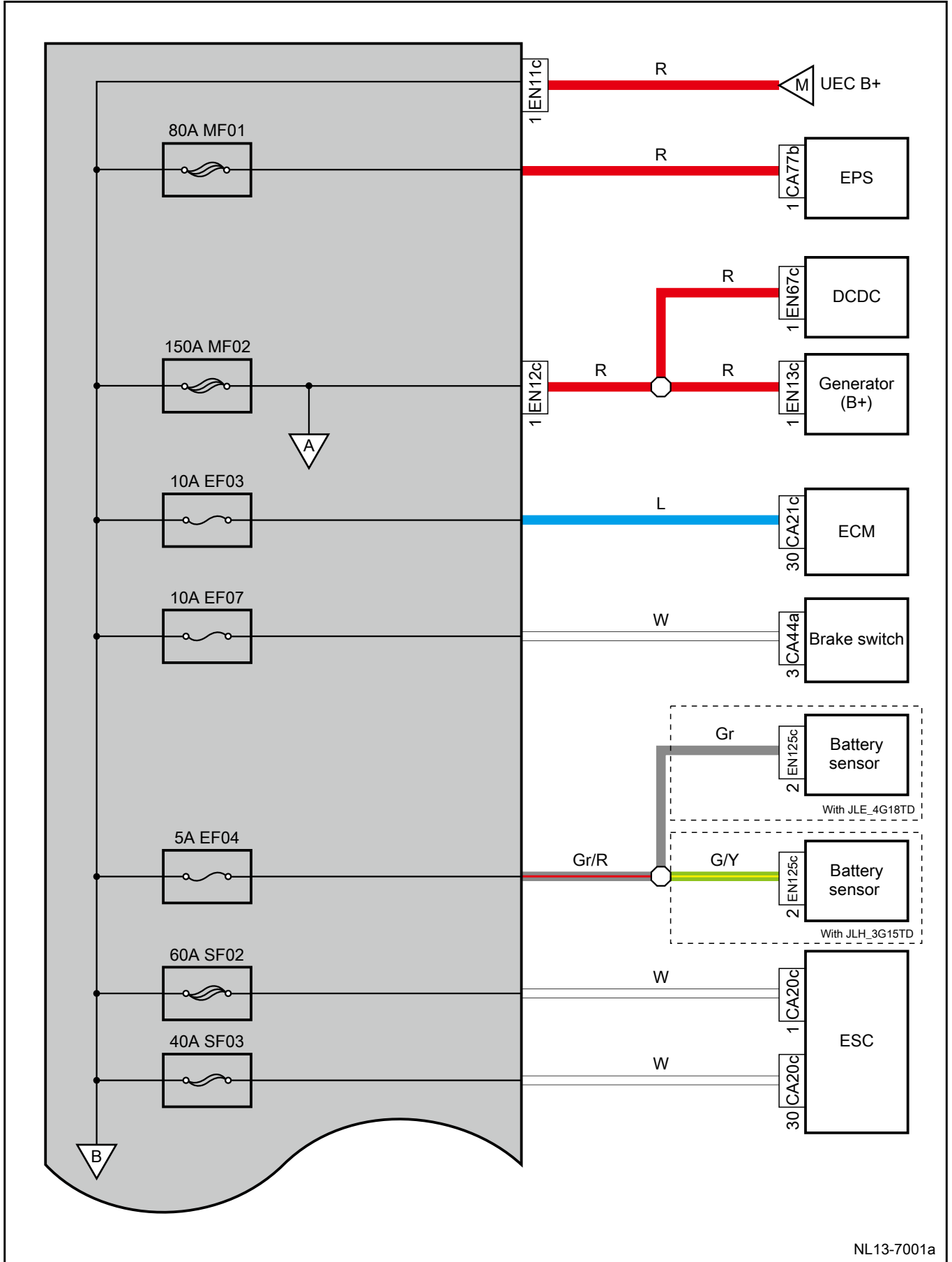
NL13-6030a

Power Distribution of Engine Compartment Fuses and Relays Box



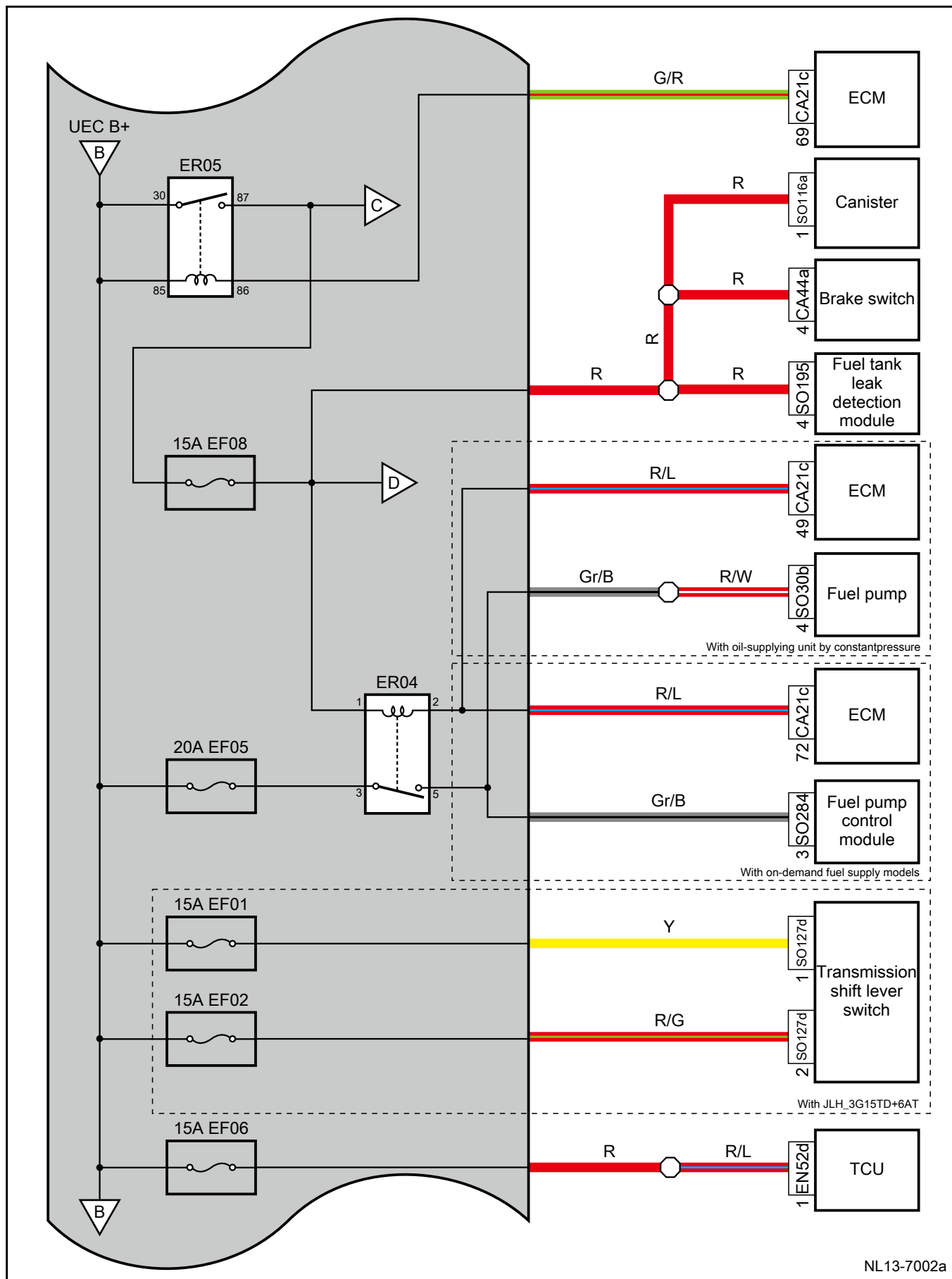
NL13-7029a

Power Distribution of Engine Compartment Fuses and Relays Box ( Part 1 )



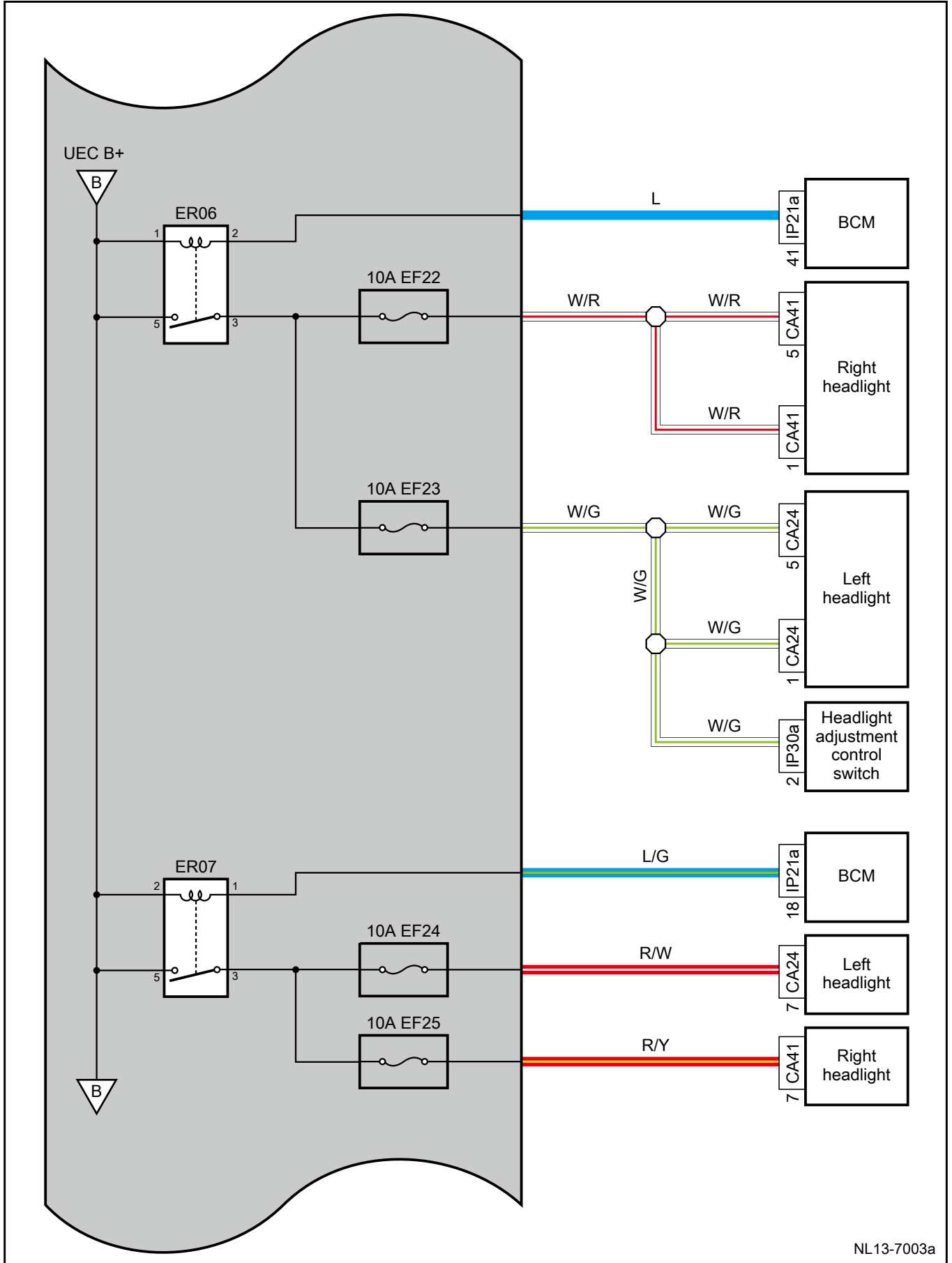
NL13-7001a

Power Distribution of Engine Compartment Fuses and Relays Box ( Part 2 )

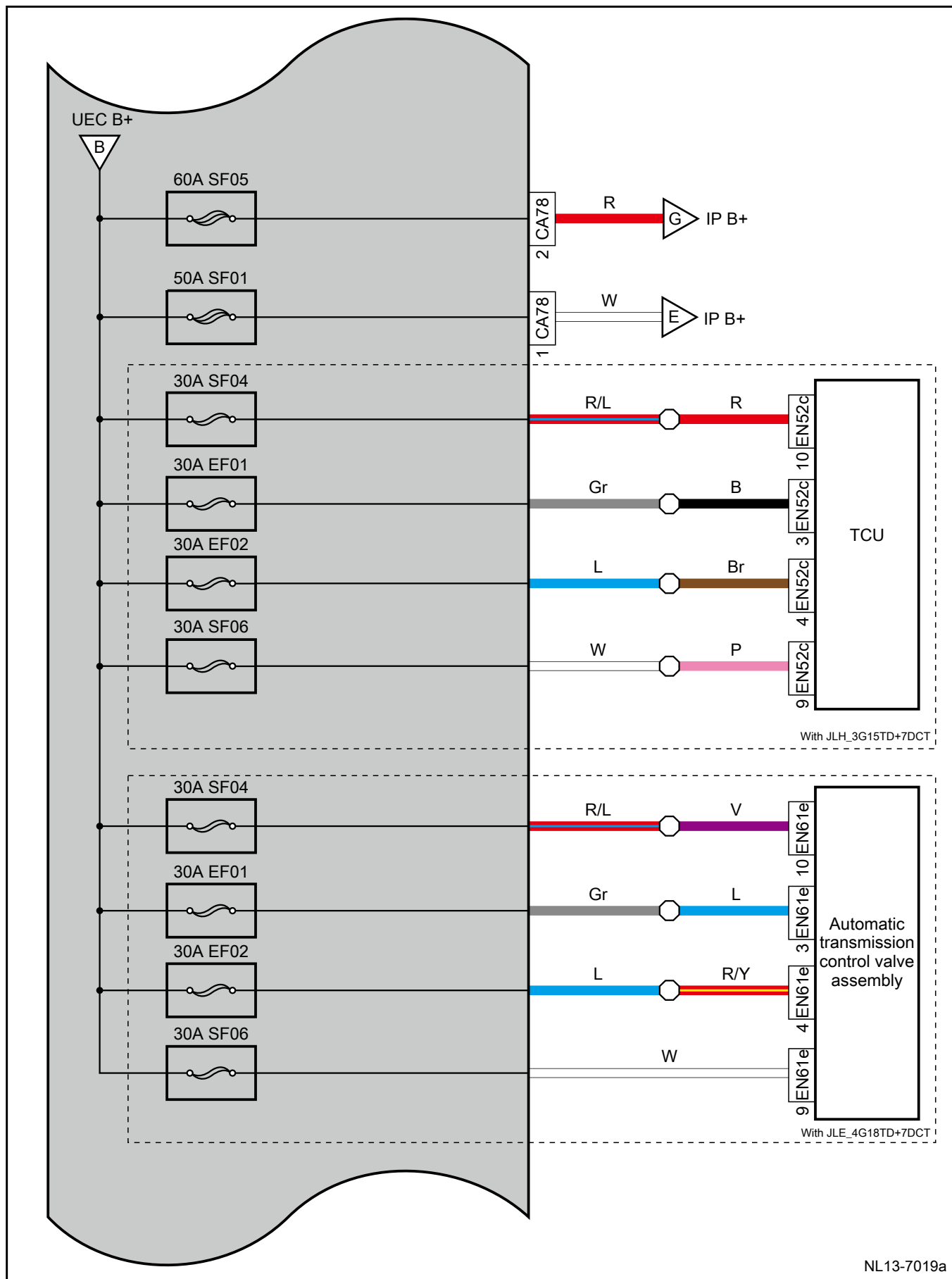


NL13-7002a

Power Distribution of Engine Compartment Fuses and Relays Box ( Part 3 )

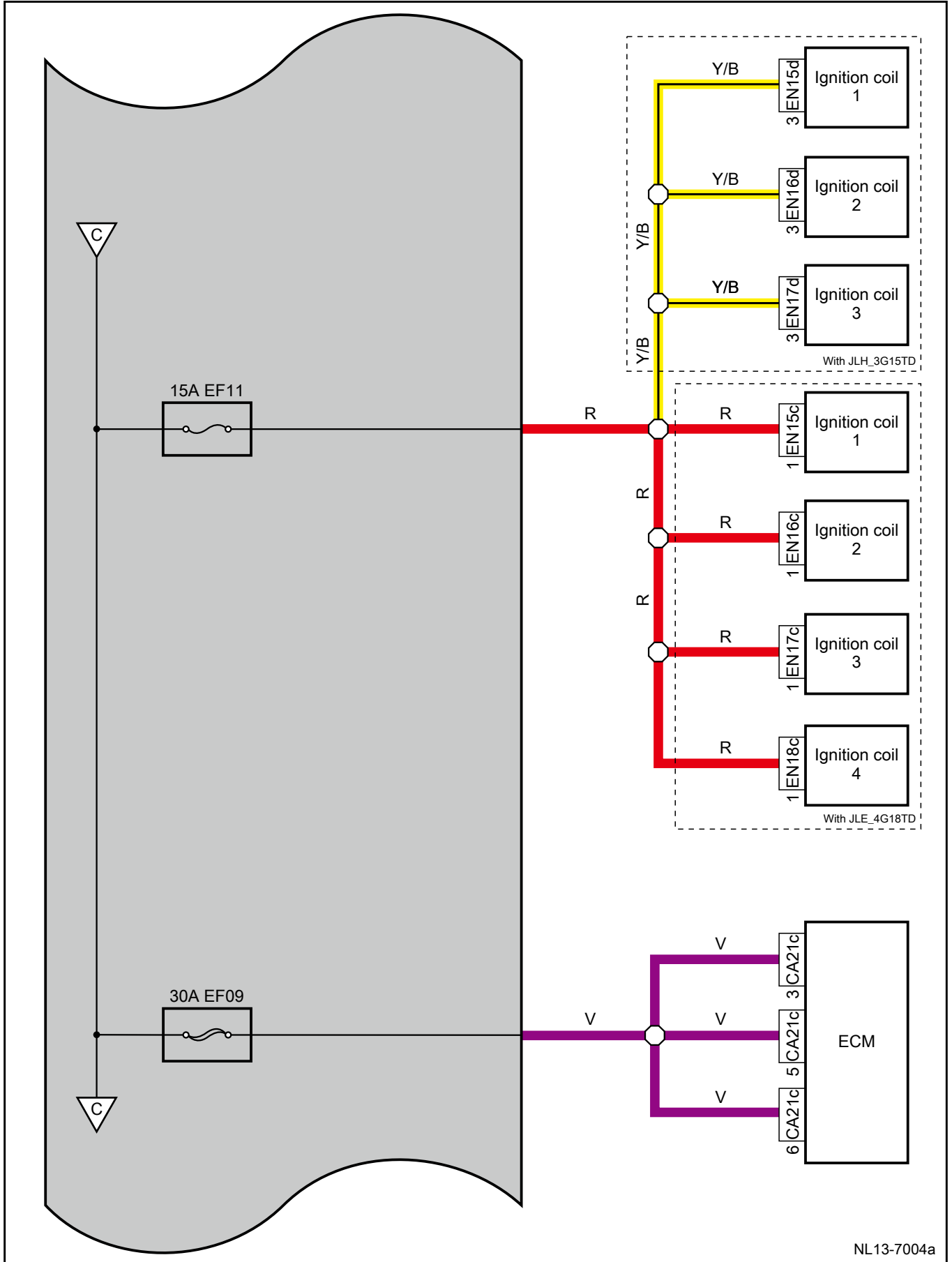


Power Distribution of Engine Compartment Fuses and Relays Box ( Part 4 )

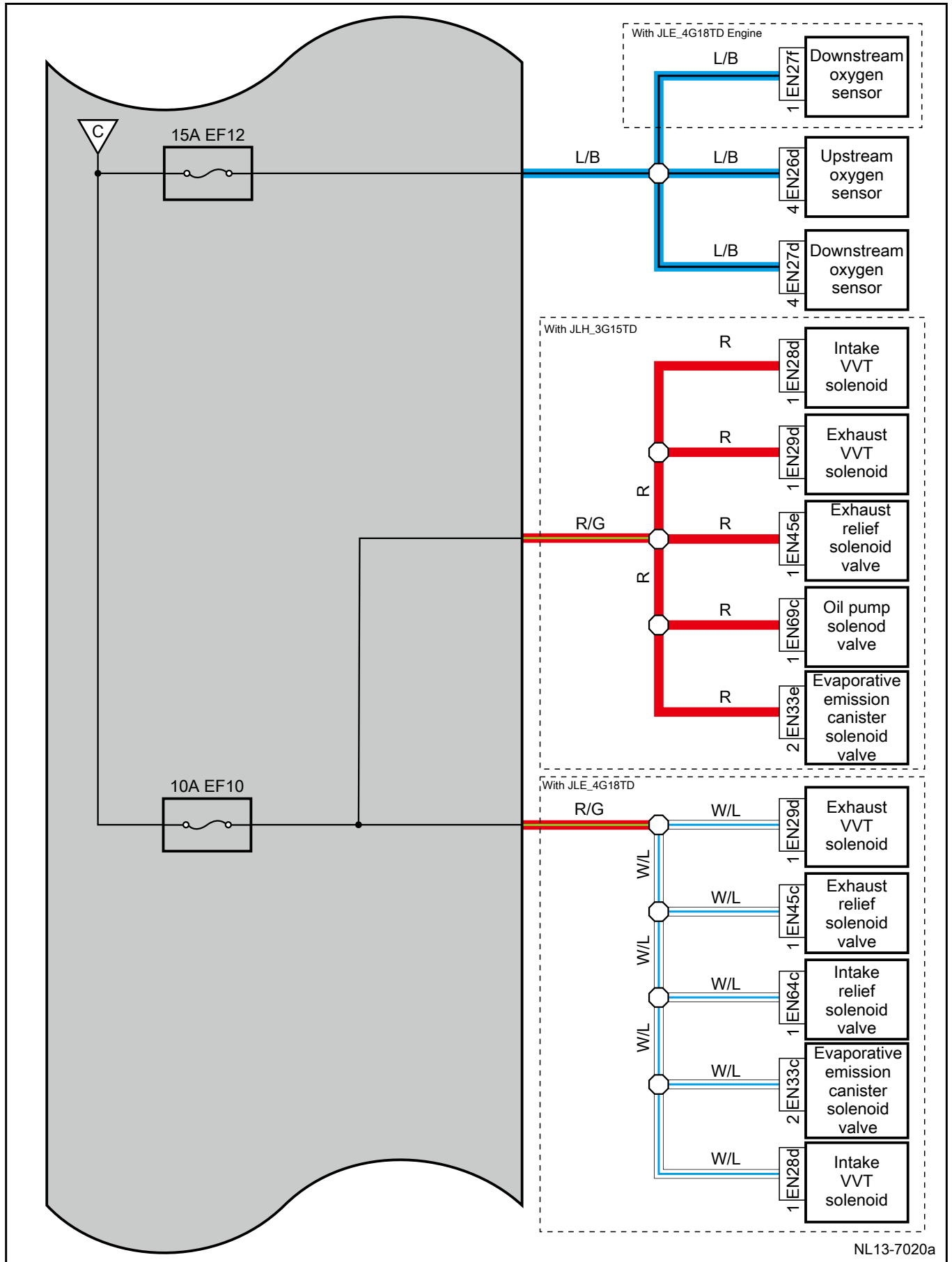


NL13-7019a

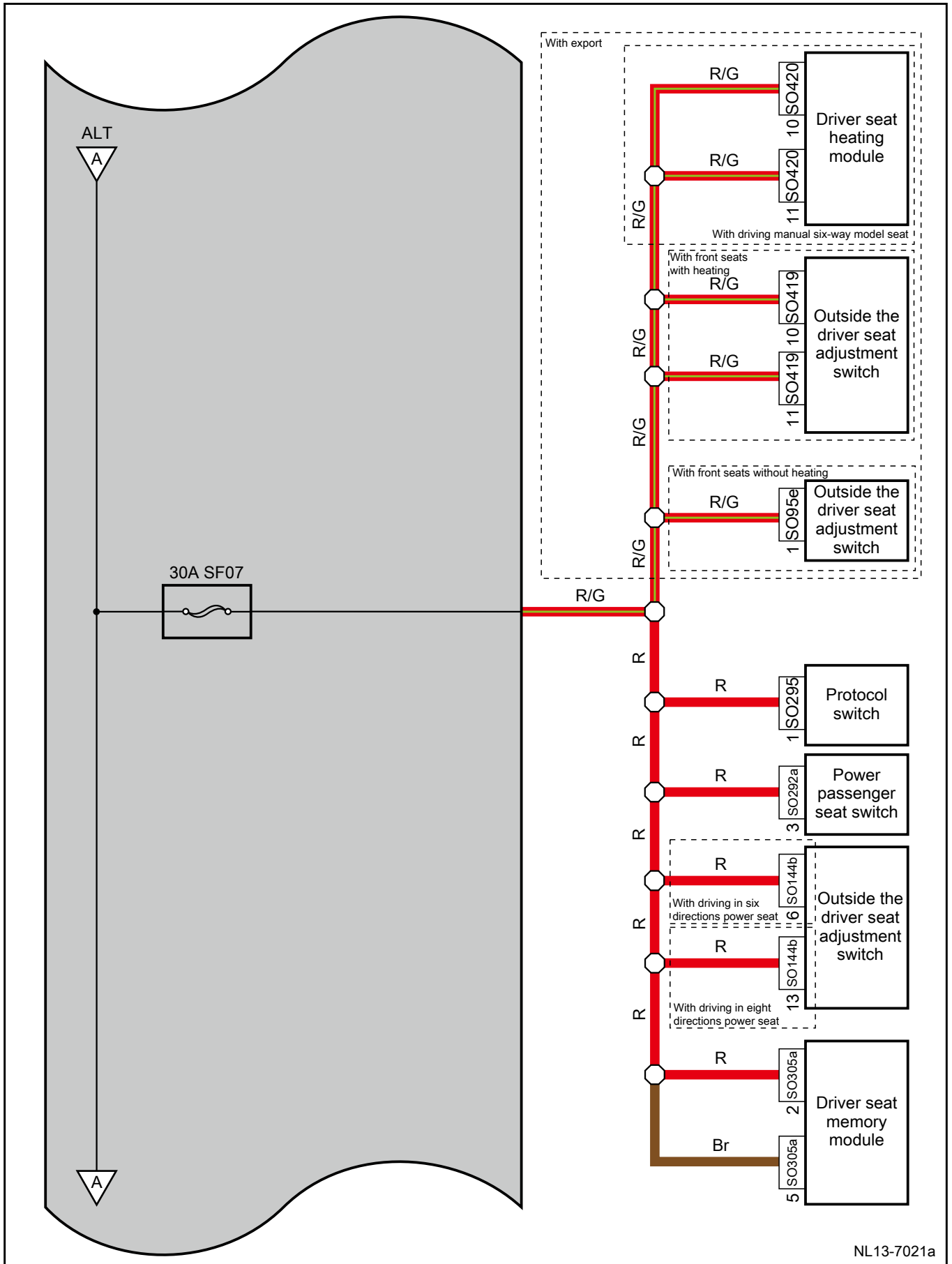
Power Distribution of Engine Compartment Fuses and Relays Box ( Part 5 )



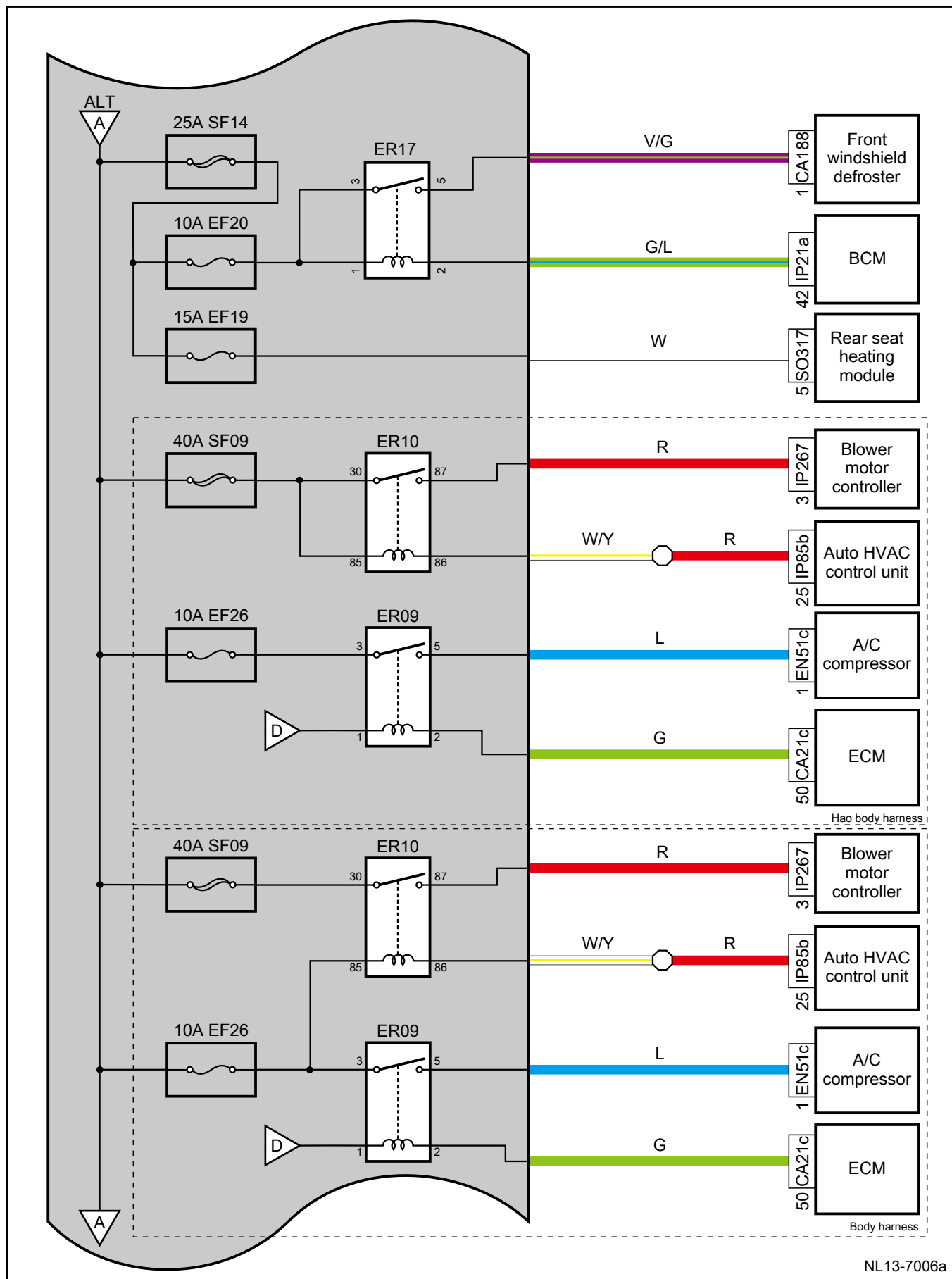
Power Distribution of Engine Compartment Fuses and Relays Box ( Part 6 )



Power Distribution of Engine Compartment Fuses and Relays Box ( Part 7 )

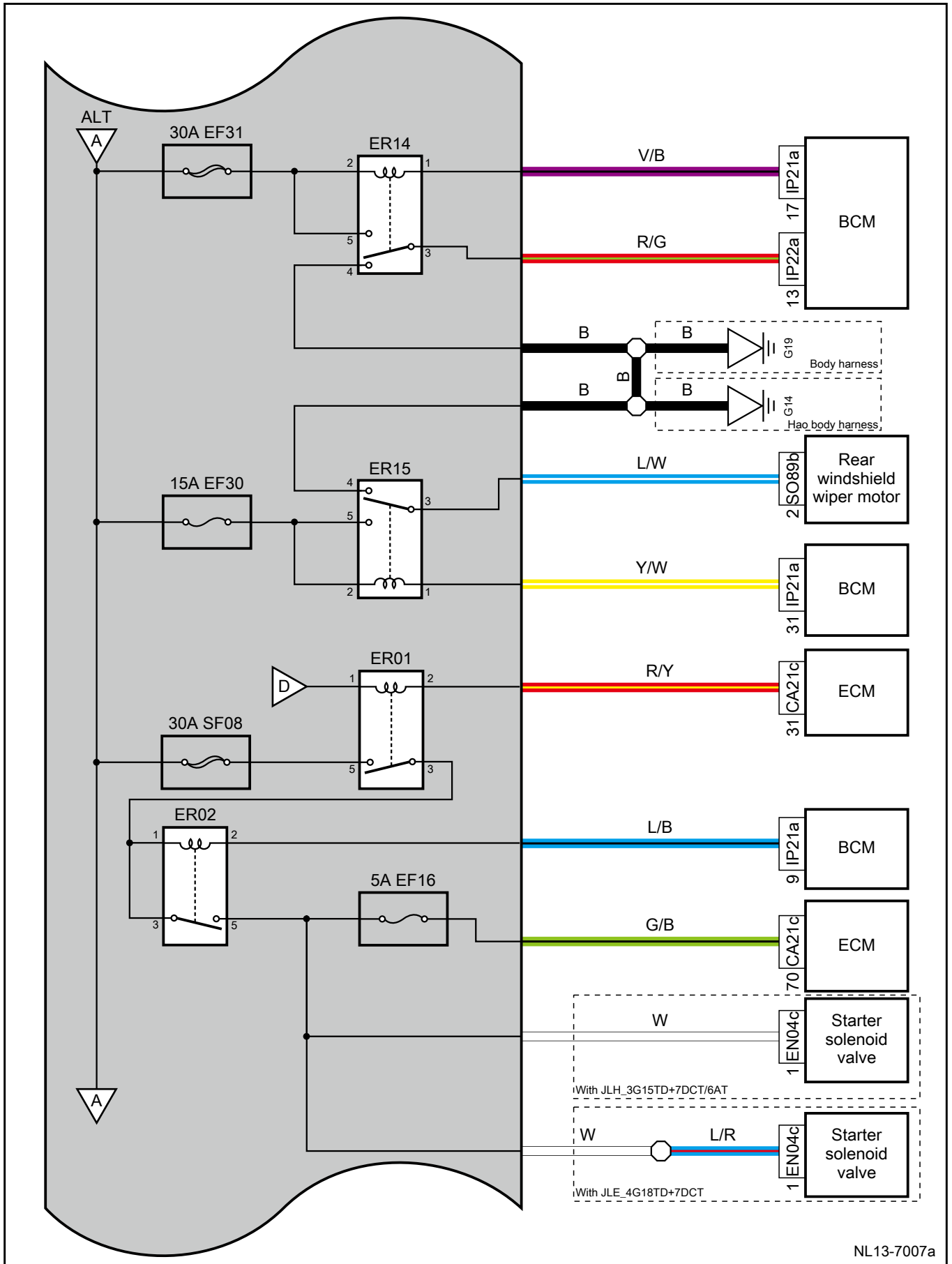


Power Distribution of Engine Compartment Fuses and Relays Box ( Part 8 )

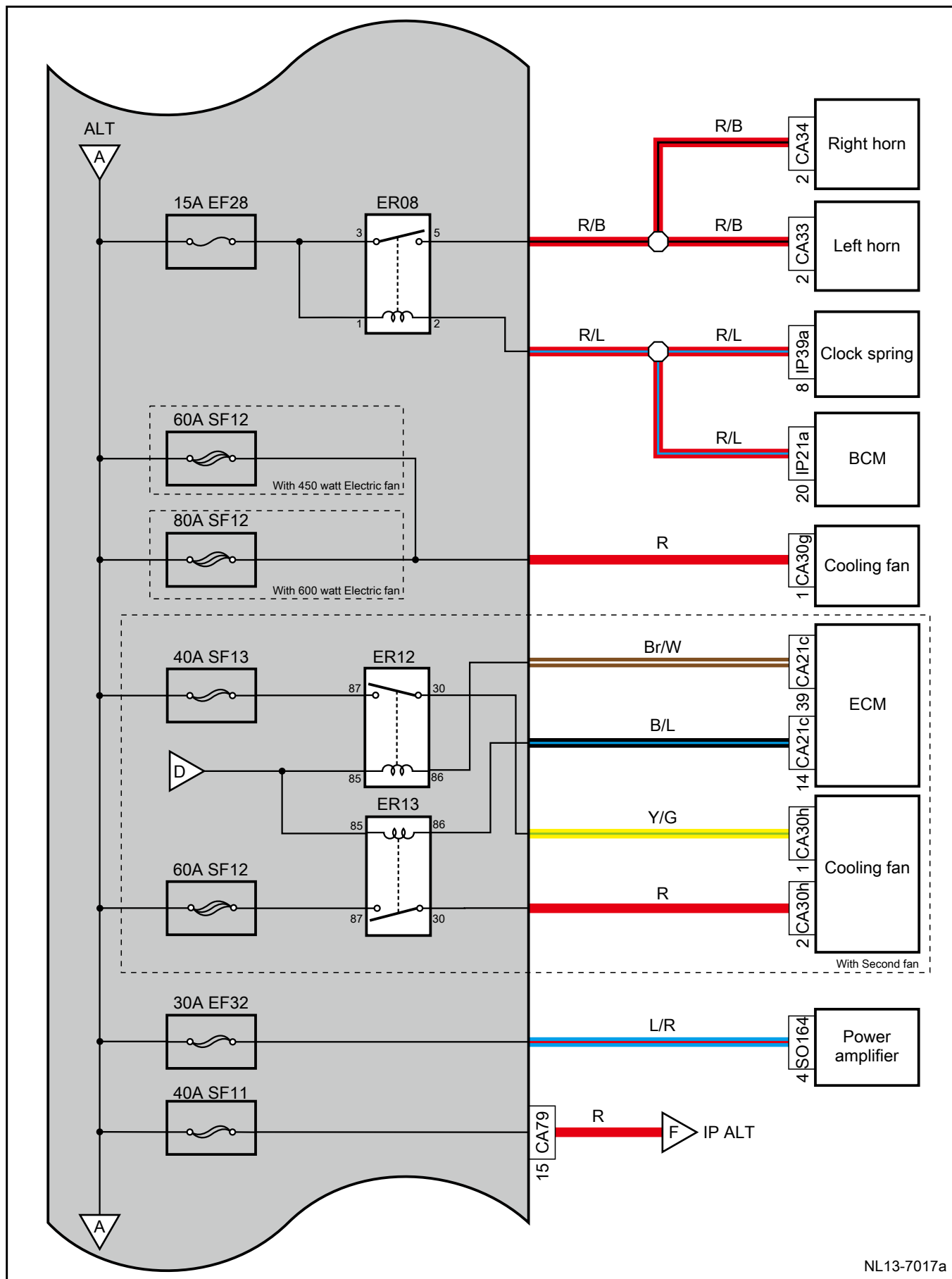


NL13-7006a

Power Distribution of Engine Compartment Fuses and Relays Box ( Part 9 )

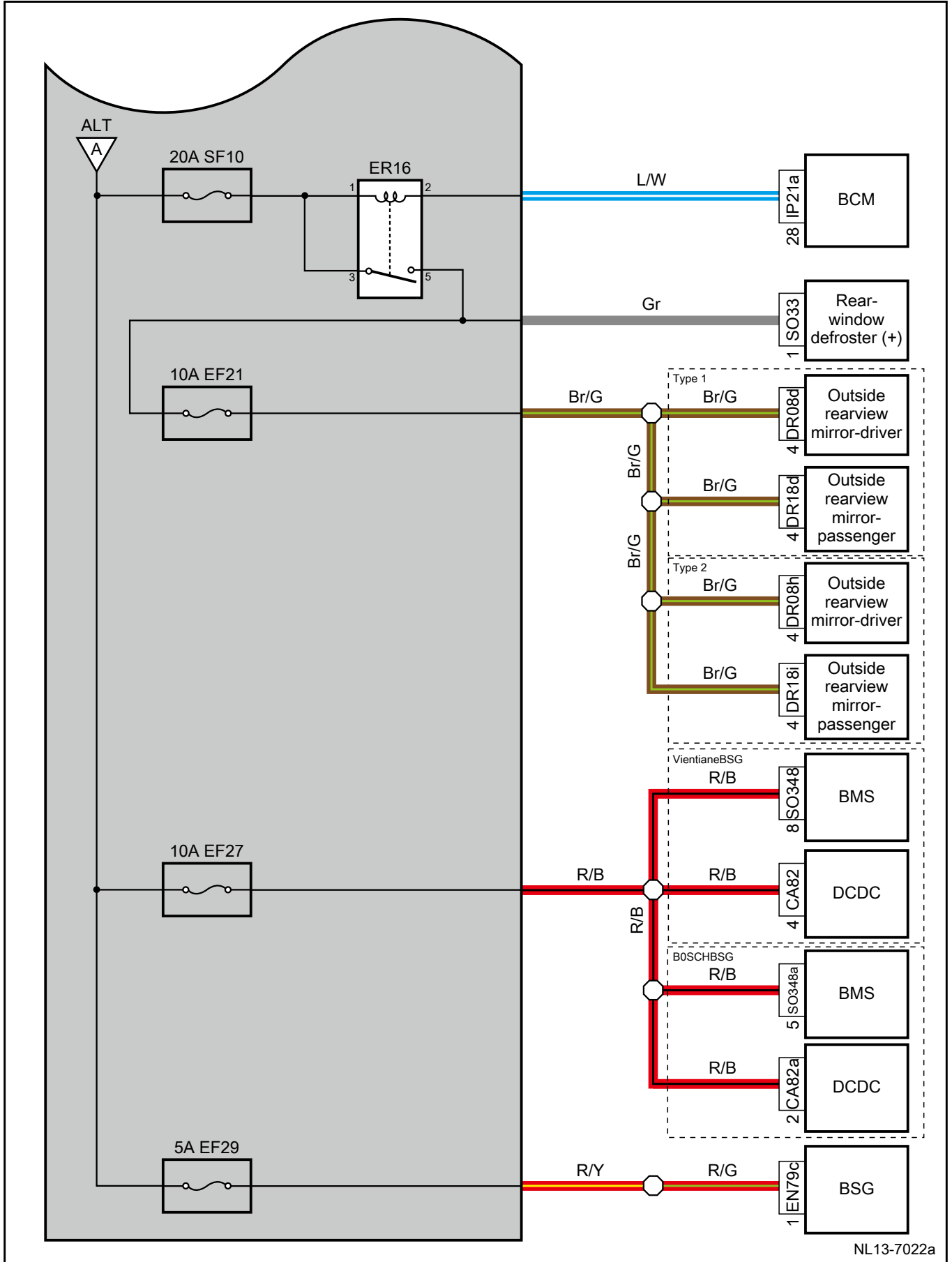


Power Distribution of Engine Compartment Fuses and Relays Box ( Part 10 )

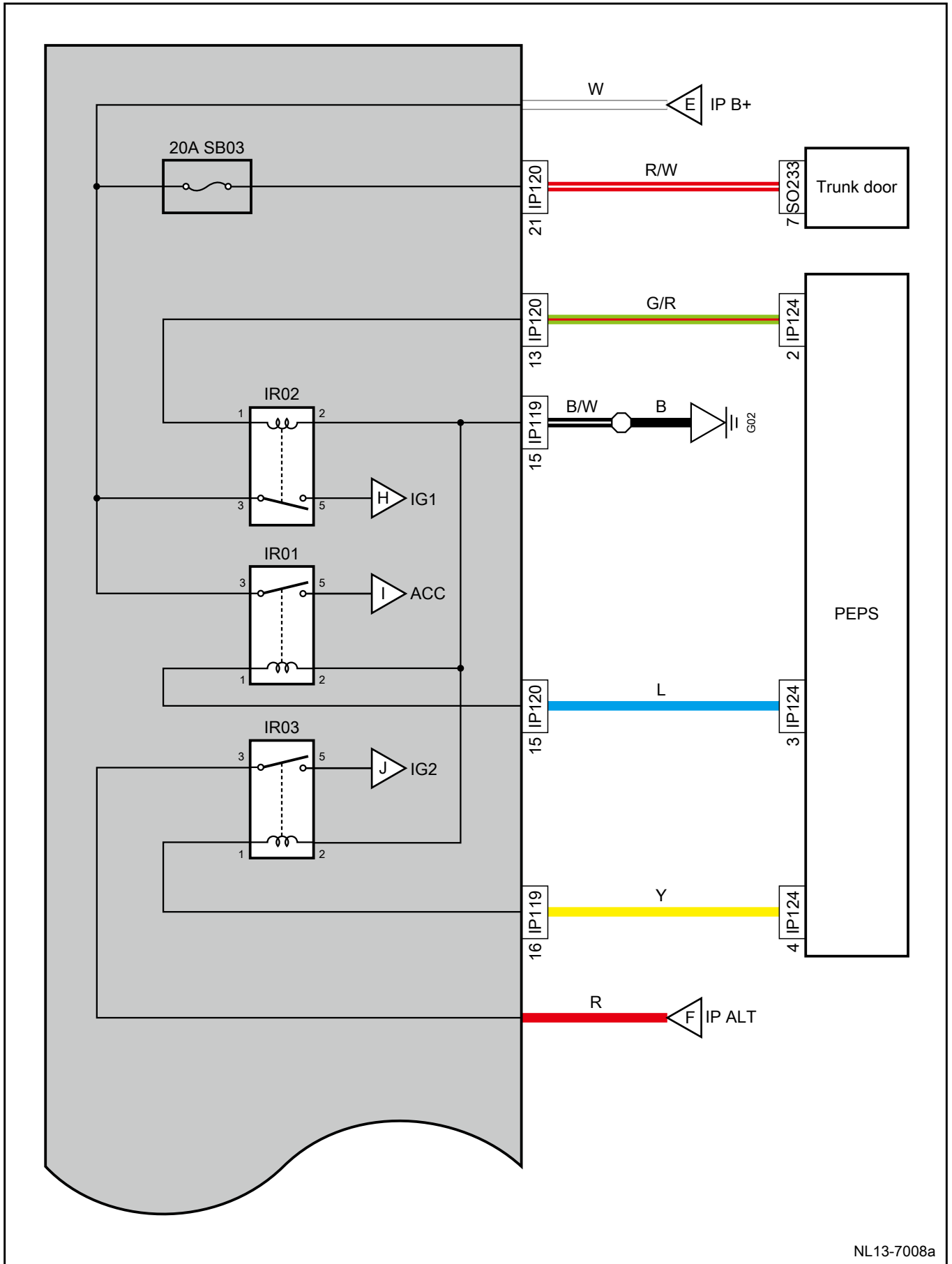


NL13-7017a

Power Distribution of Engine Compartment Fuses and Relays Box ( Part 11 )

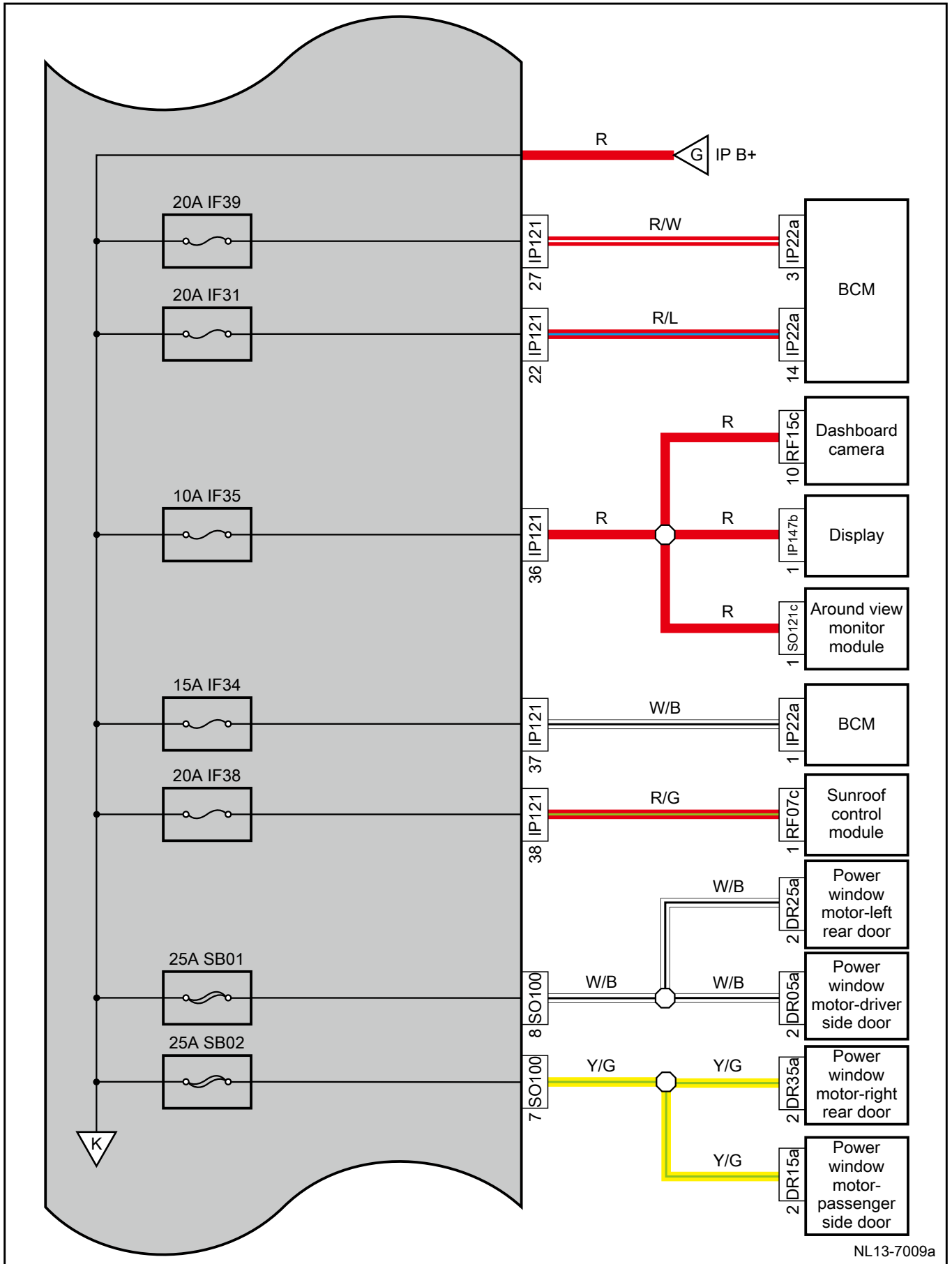


Power Distribution of Instrument Panel Fuses and Relays Box



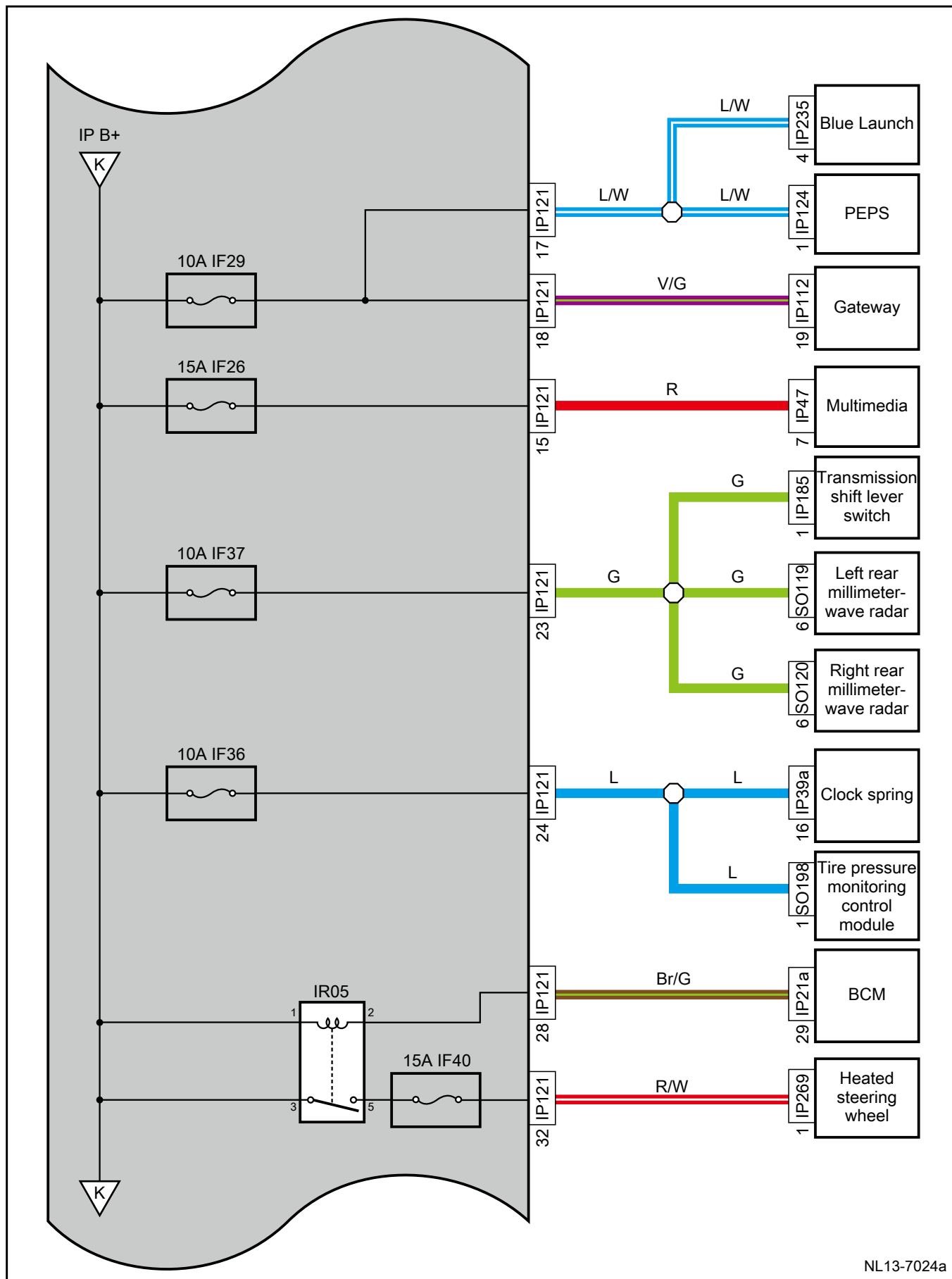
NL13-7008a

Power Distribution of Instrument Panel Fuses and Relays Box (part 1)



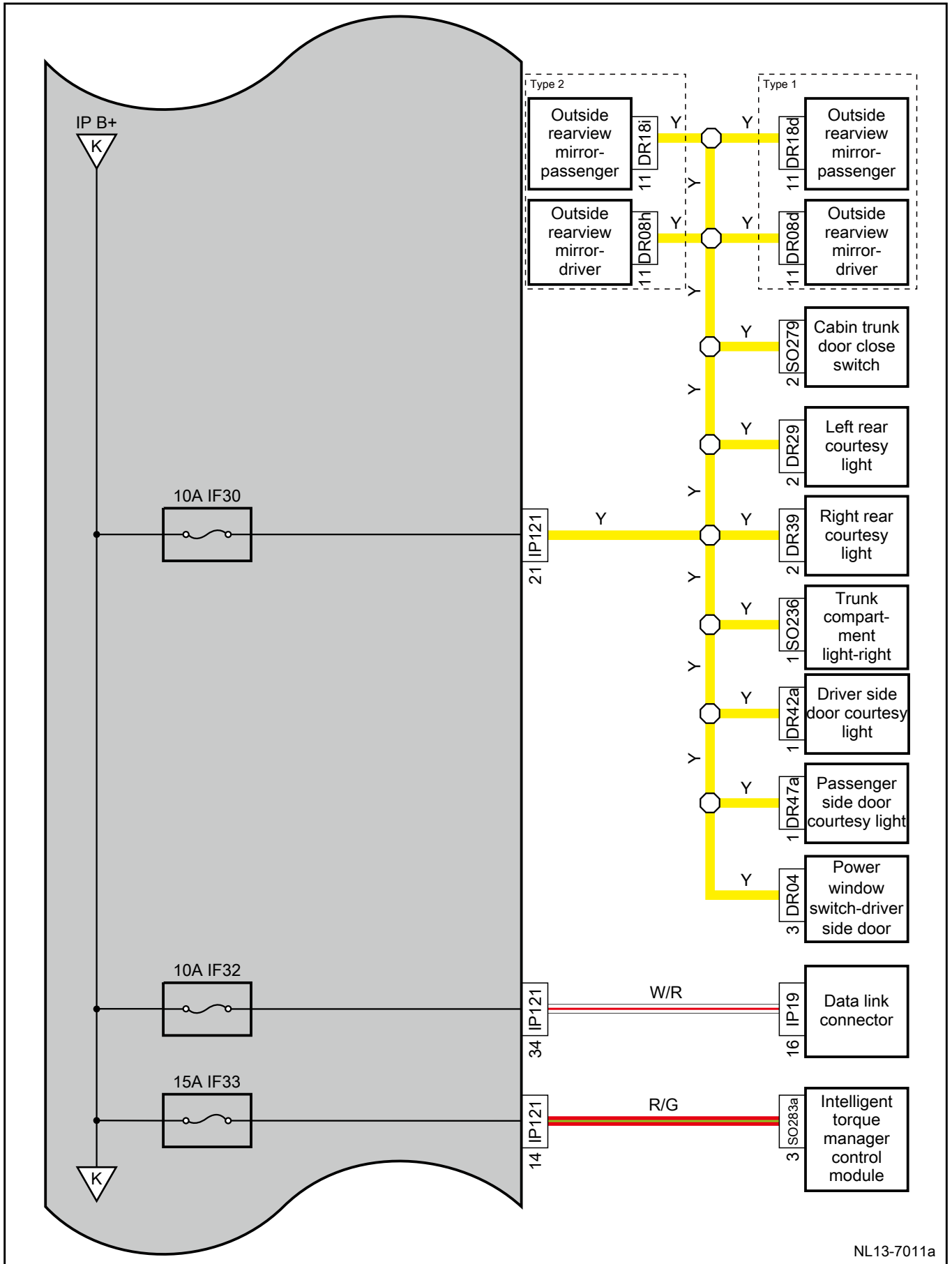
NL13-7009a

Power Distribution of Instrument Panel Fuses and Relays Box (part 2)



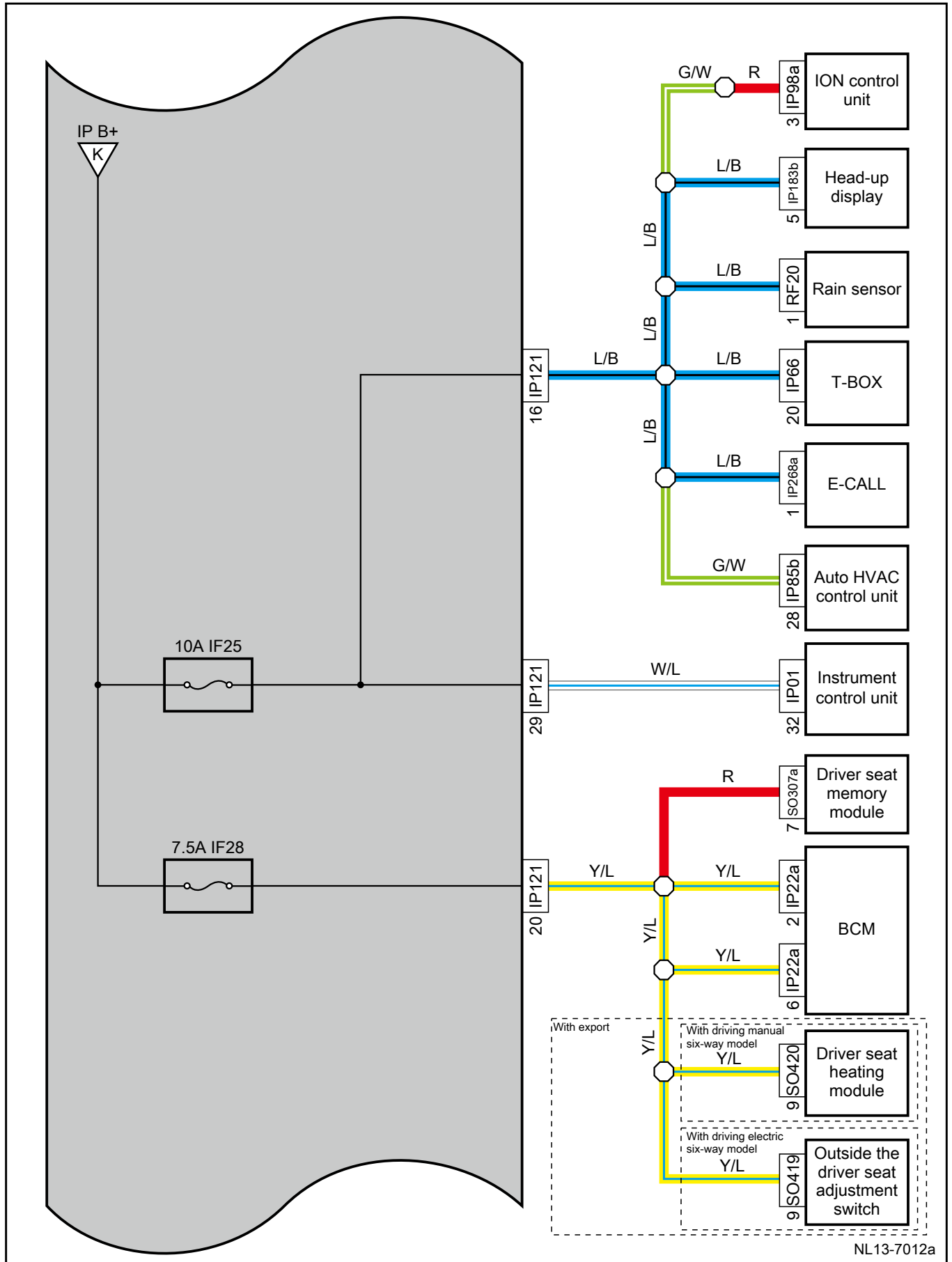
NL13-7024a

Power Distribution of Instrument Panel Fuses and Relays Box (part 3)

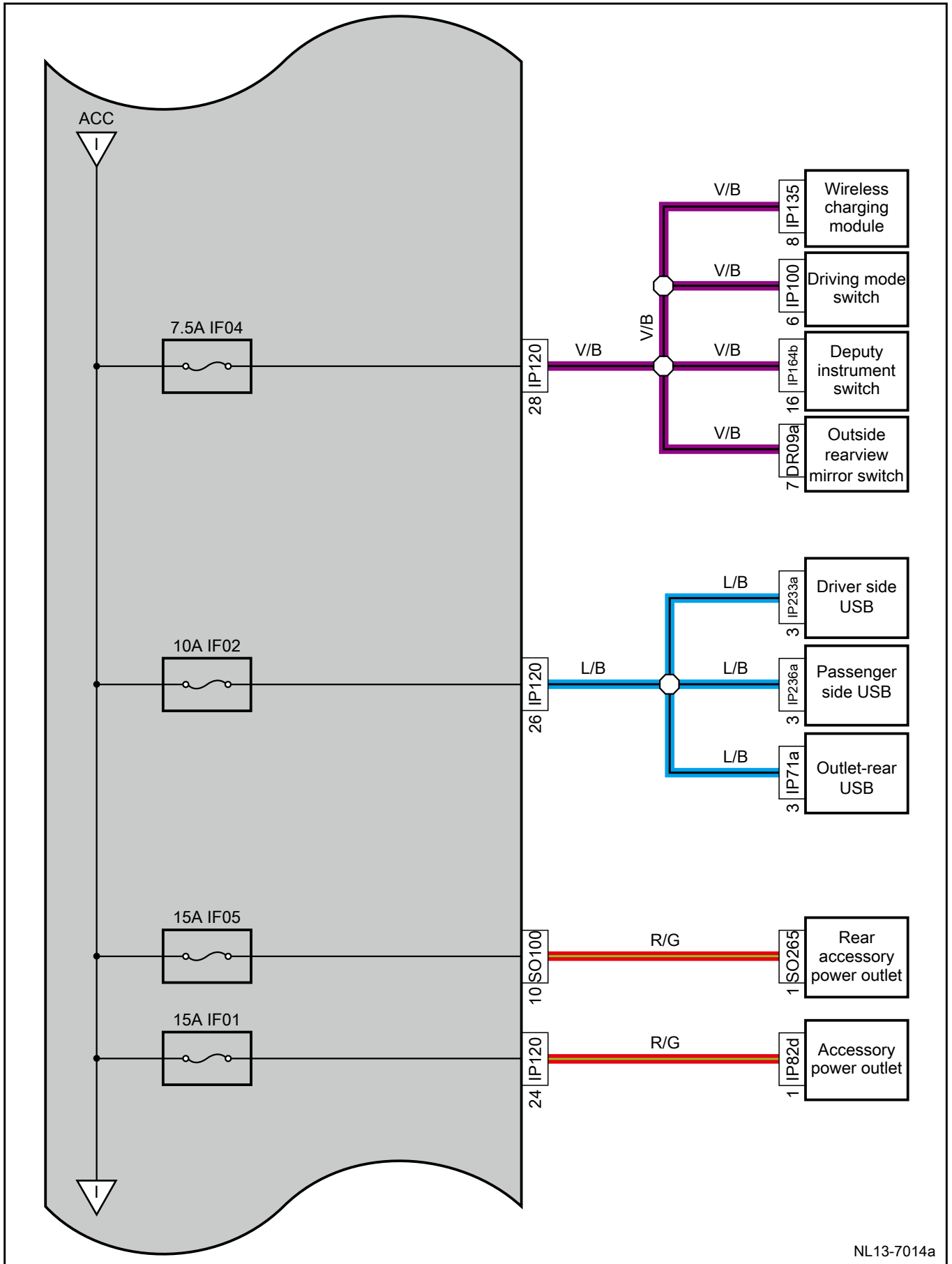


NL13-7011a

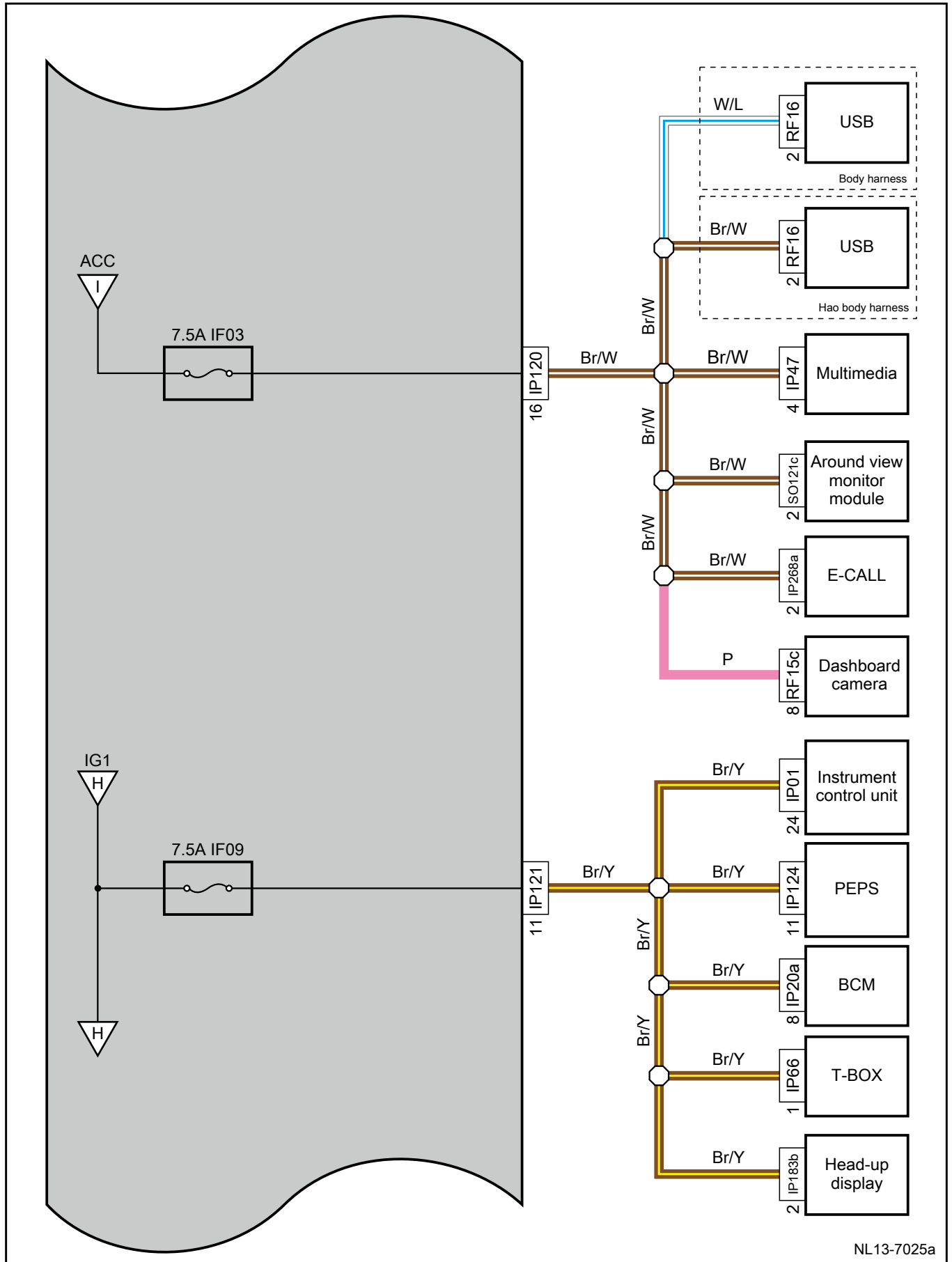
Power Distribution of Instrument Panel Fuses and Relays Box (part 4)



Power Distribution of Instrument Panel Fuses and Relays Box (part 5)

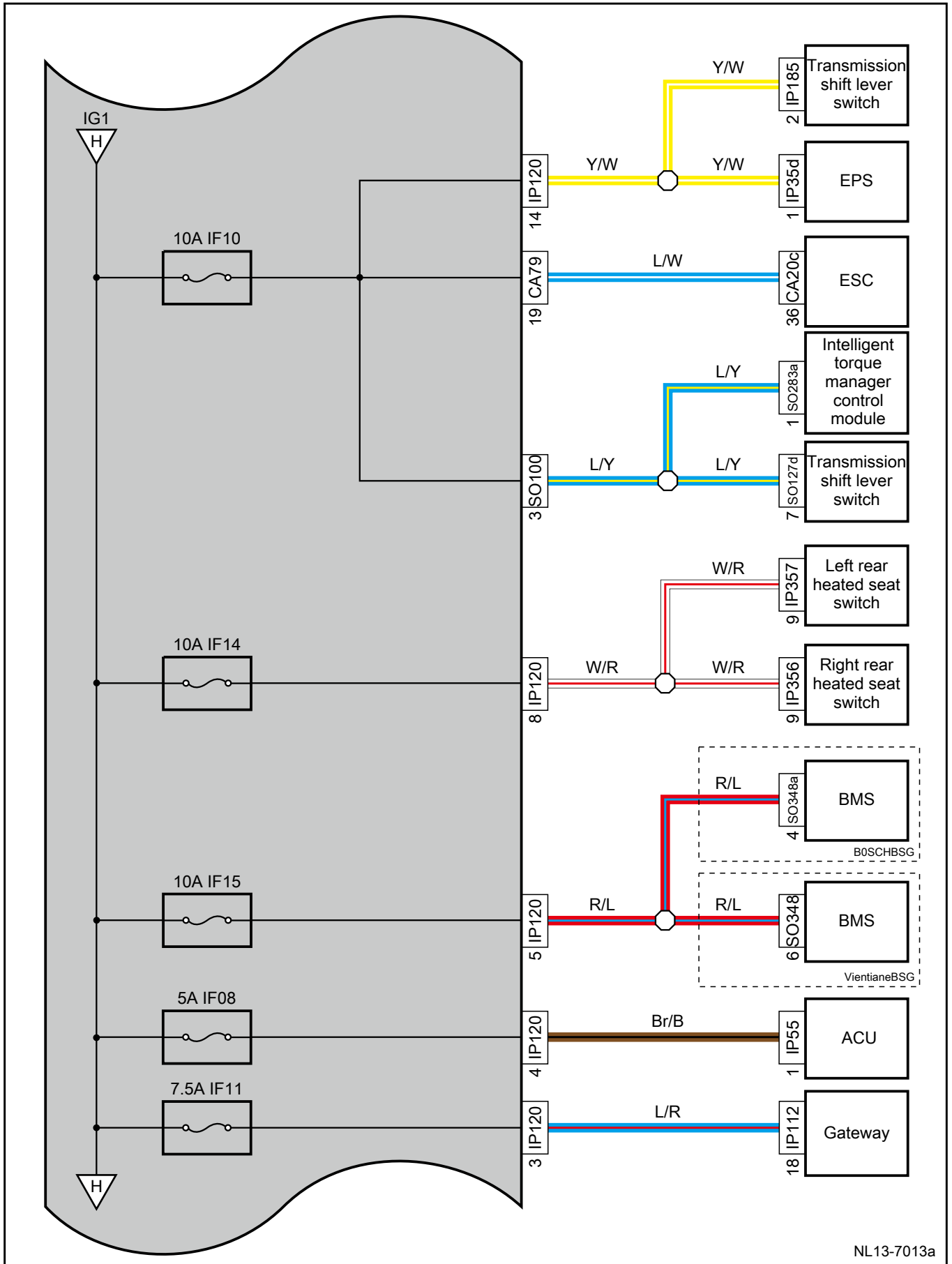


Power Distribution of Instrument Panel Fuses and Relays Box (part 6)

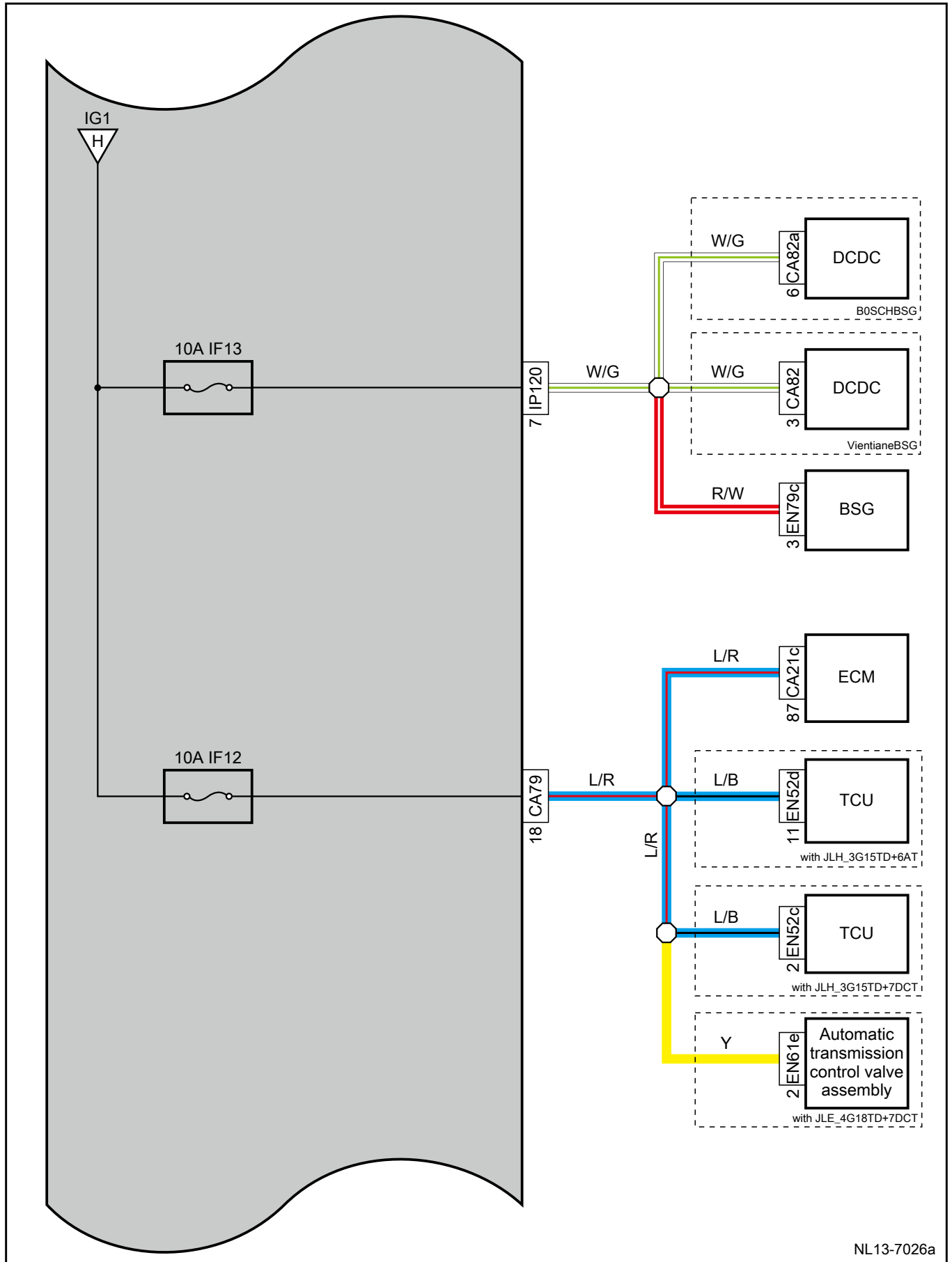


NL13-7025a

Power Distribution of Instrument Panel Fuses and Relays Box (part 7)

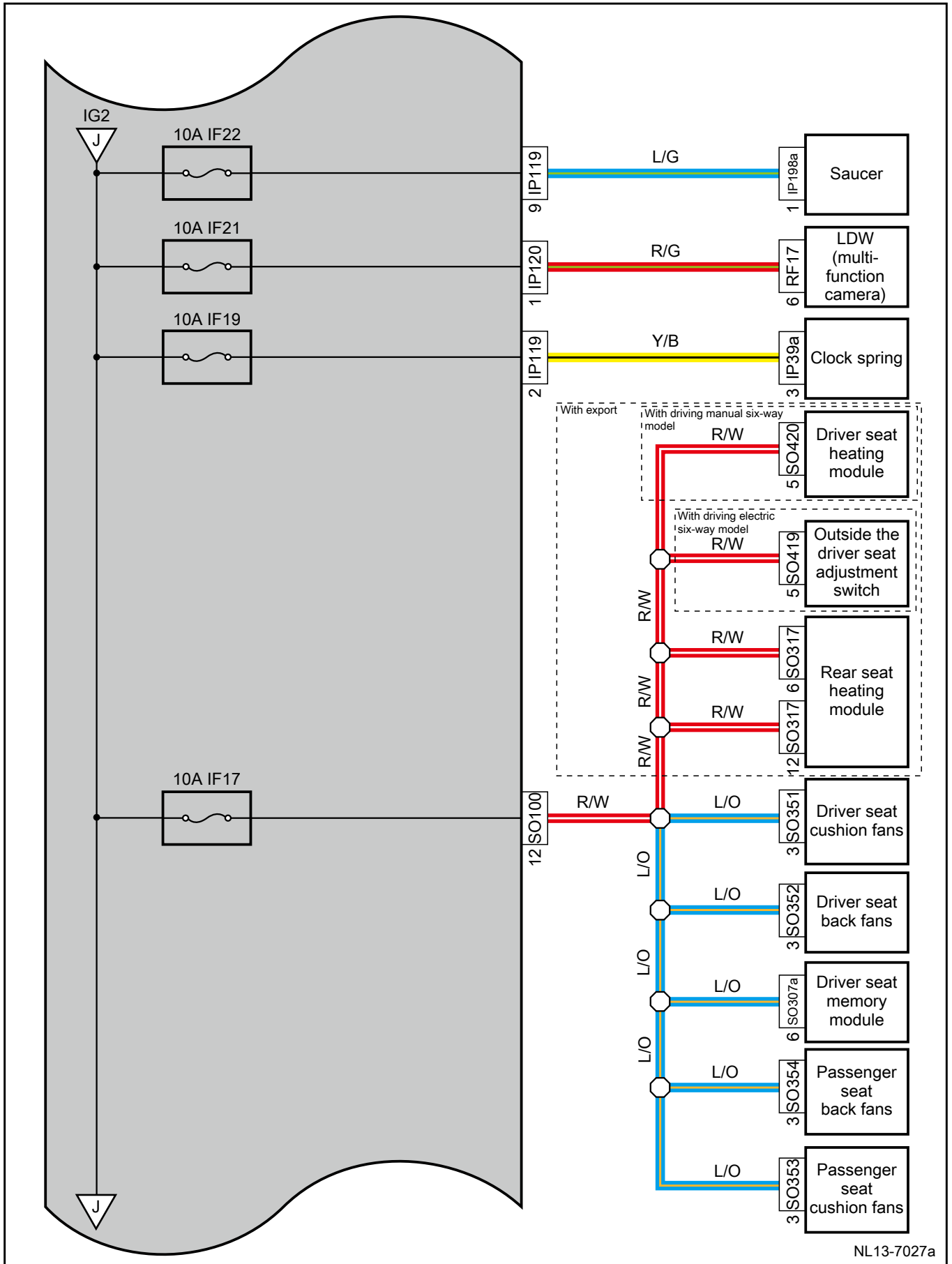


Power Distribution of Instrument Panel Fuses and Relays Box (part 8)



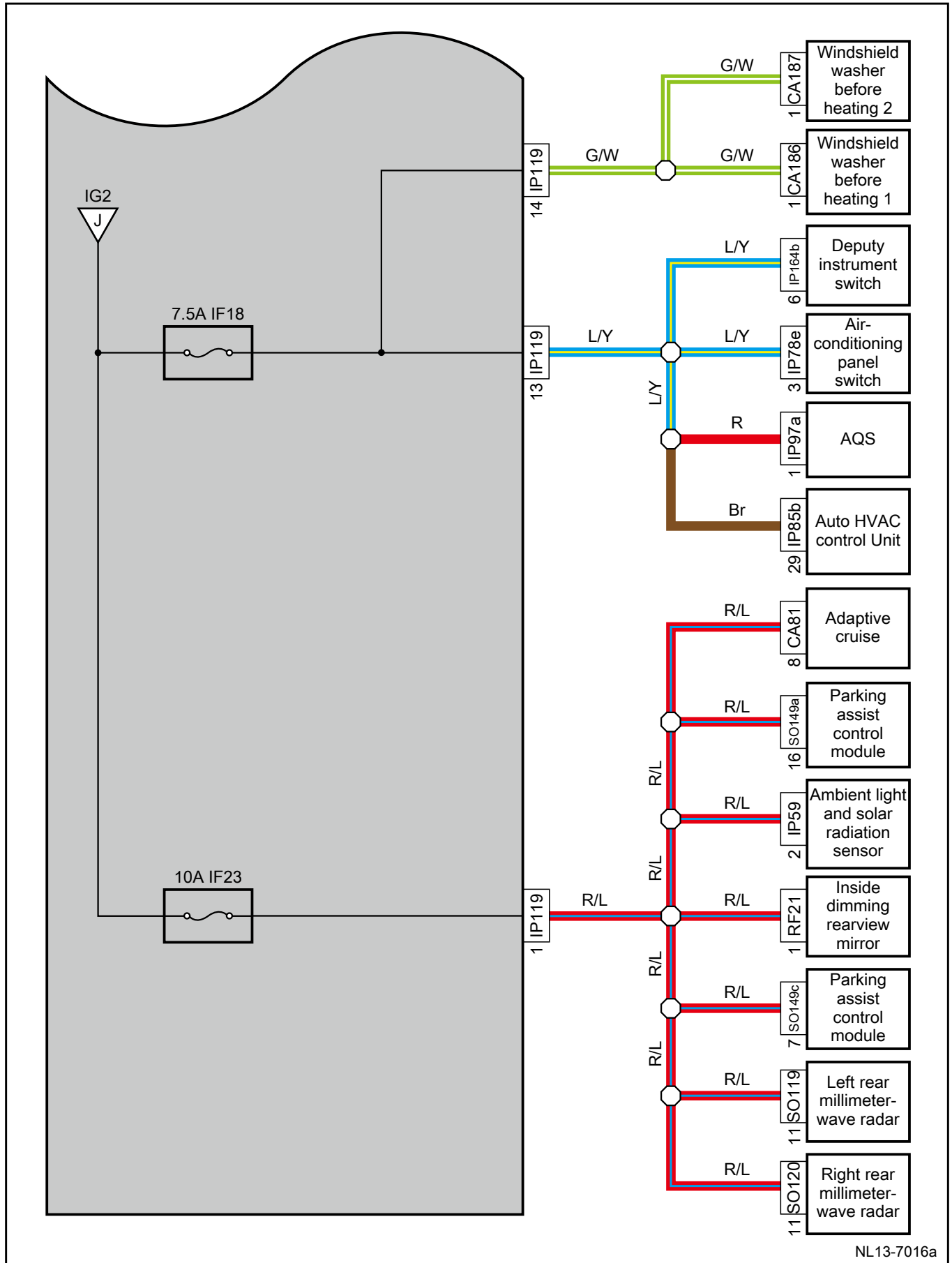
NL13-7026a

Power Distribution of Instrument Panel Fuses and Relays Box (part 9)



NL13-7027a

Power Distribution of Instrument Panel Fuses and Relays Box (part 10)



**Circuit diagram index**

Starting System(JLH_3G15TD+7DCT/6AT) .....	242	Sensors and actuators 4(JLE_4G18TD Hao body harness) .....	294
Starting System(JLE_4G18TD+7DCT) .....	244	Sensors and actuators 5(JLE_4G18TD) .....	296
Starting System (BOSCH BSG) .....	246	Cooling fan control(JLE_4G18TD) .....	298
Starting System(Vientiane BSG) .....	248	Cruise Control .....	300
Starting System(Vientiane BSG+Body harness) .....	250	Adaptive cruise control .....	302
Charging System(JLH_3G15TD+7DCT/6AT) .....	252	TCU Power supply and data(JLH_3G15TD +6AT) .....	304
Charging System(JLE_4G18TD+7DCT) .....	254	TCU Power supply and data(JLH_3G15TD +7DCT) .....	306
Power supply and data(JLH_3G15TD) .....	256	TCU Power supply and data(JLE_4G18TD +7DCT) .....	308
Ignition system(JLH_3G15TD) .....	258	Transmission shift lever switch(JLH_3G15TD +6AT) .....	310
Fuel injection system 1(JLH_3G15TD) .....	260	Transmission shift lever switch(7DCT) .....	312
Fuel injection system 2(JLH_3G15TD) .....	262	4WD Control .....	314
Sensors and actuators 1(JLH_3G15TD) .....	264	Driving mode switch .....	316
Sensors and actuators 2(JLH_3G15TD) .....	266	Power supply and data .....	318
Sensors and actuators 3(JLH_3G15TD) .....	268	Indicator, illuminator .....	320
Sensors and actuators 4(JLH_3G15TD) .....	270	Power supply and data .....	322
Sensors and actuators 5(JLH_3G15TD) .....	272	Sensors and actuators 1 .....	324
Sensors and actuators 6(JLH_3G15TD) .....	274	Sensors and actuators 2 .....	326
Cooling fan control(JLH_3G15TD) .....	276	Sensors and actuators 3 .....	328
Power supply and data(JLE_4G18TD) .....	278	Power supply and data (part 1) .....	330
Ignition system(JLE_4G18TD) .....	280	Power supply and data (part 2) .....	332
Fuel Injection System(JLE_4G18TD) .....	282	Wheel speed sensors and actuators .....	334
Sensors and actuators 1(JLE_4G18TD Body harness) .....	284	Ready alert brake system .....	336
Sensors and actuators 1(JLE_4G18TD Hao body harness) .....	286	Lane departure system .....	338
Sensors and actuators 2(JLE_4G18TD) .....	288	Blind spot monitor 1 .....	340
Sensors and actuators 3(JLE_4G18TD) .....	290	Blind spot monitor 2 .....	342
Sensors and actuators 4(JLE_4G18TD Body harness) .....	292	Head-up display .....	344

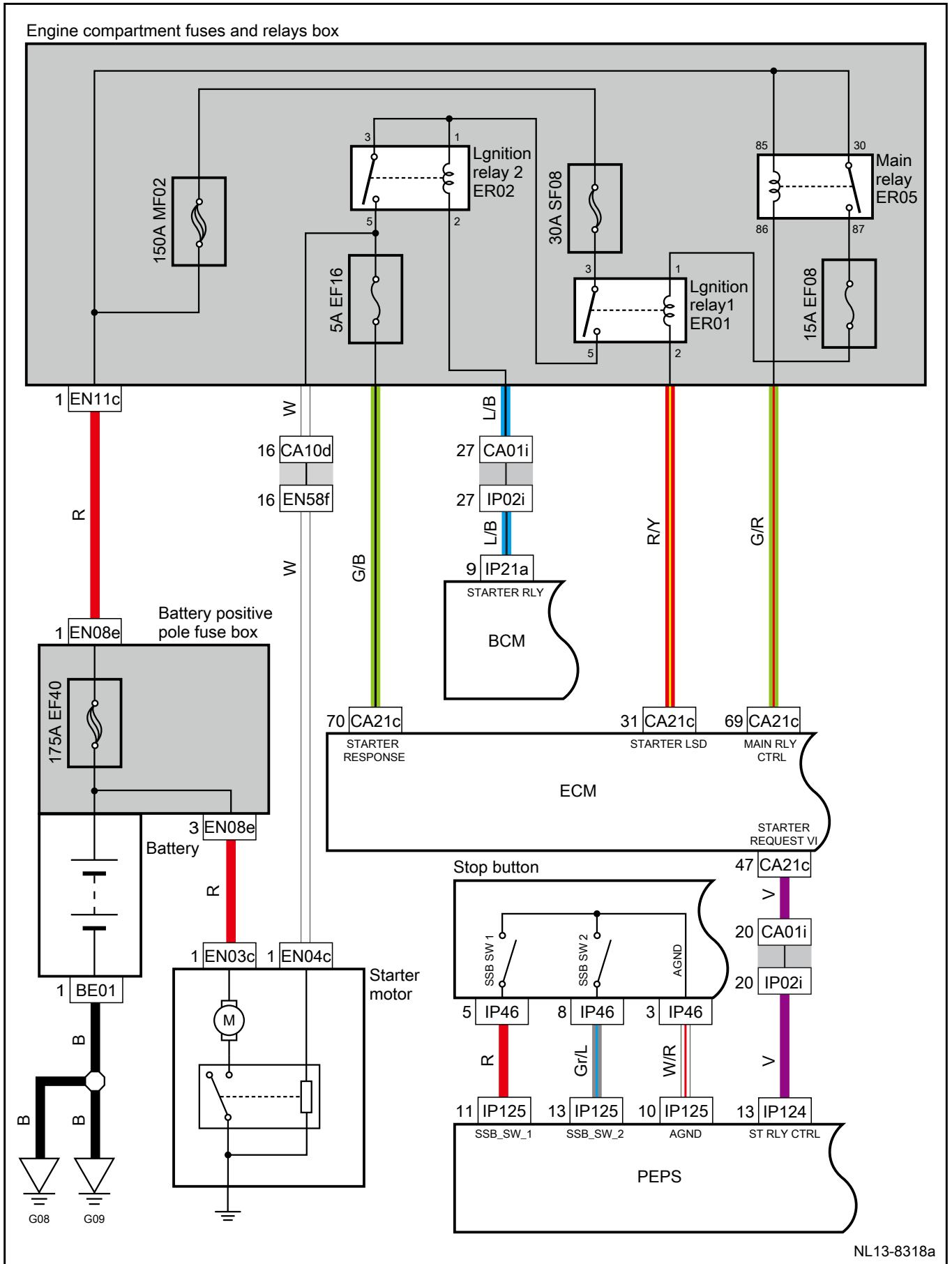
EPB 1.....	346	Trunk compartment light.....	400
EPB 2.....	348	Backlighting 1.....	402
TPMS.....	350	Backlighting 2.....	404
Power steering.....	352	Backlighting 3.....	406
Heated steering wheel.....	354	Backlighting 4.....	408
Headlight 1.....	356	Backlighting 5.....	410
Headlight 2.....	358	Body Control Module.....	412
Headlight 3.....	360	Anti-theft 1.....	414
Headlight 4.....	362	Anti-theft 2.....	416
Position light 1.....	364	Central lock 1.....	418
Position light 2.....	366	Central lock 2.....	420
Daytime running light.....	368	Central lock 3.....	422
Fog light.....	370	Trunk door Lock.....	424
Turn signal light,Hazard warning light 1.....	372	Power tailgate 1.....	426
Turn signal light,Hazard warning light 2 (type 1).....	374	Power tailgate 2.....	428
Turn signal light,Hazard warning light 2 (type 2).....	376	Power tailgate 3.....	430
Turn signal light,Hazard warning light 3 (type 1).....	378	Power rearview mirror 1.....	432
Turn signal light,Hazard warning light 3 (type 2).....	380	Power rearview mirror 2 (type 1).....	434
Brake light 1.....	382	Power rearview mirror 2 (type 2).....	436
Brake light 2.....	384	Power rearview mirror 3.....	438
Backup light.....	386	Power rearview mirror 1(Memory).....	440
Interior lighting 1.....	388	Power rearview mirror 2(Memory).....	442
Interior lighting 2.....	390	Power rearview mirror 3(Memory).....	444
Courtesy light (type 1).....	392	Power rearview mirror 4(Memory).....	446
Courtesy light (type 2).....	394	Power dimming rearview mirror.....	448
Ambient light 1.....	396	Power seat 1(Driving in eight directions).....	450
Ambient light 2.....	398	Power seat 2(Driving in eight directions).....	452
		Power seat 3(Driving in eight directions).....	454
		Power seat 4(Driving in eight directions).....	456
		Power seat (Driving in six directions).....	458

Power seat(Export) .....	460	Power supply and data 2(Power amplifier) .....	514
Seat heating 1 .....	462	Speakers 1(Power amplifier).....	516
Seat heating 2 .....	464	Speakers 2(Power amplifier).....	518
Seat heating 1(Export)(Driving electric six-way model).....	466	Power supply and data 1(Telematics BOX) .....	520
Seat heating 2(Export)(Driving manual six-way model).....	468	Power supply and data 2(Telematics BOX) .....	522
Seat heating 3(Export) .....	470	Power supply and data 1(E-CALL).....	524
Seat ventilation .....	472	Power supply and data 2(E-CALL).....	526
Front windshield wiper and washer control 1 .....	474	Dashboard camera.....	528
Front windshield wiper and washer control 2 .....	476	Parking assistance sensor 1 .....	530
Front windshield wiper and washer control 3 .....	478	Parking assistance sensor 2 .....	532
Rear windshield wiper and washer control .....	480	Parking assistance sensor 3 .....	534
Power supply and data (Auto HVAC).....	482	Park assist system 1.....	536
Pressure switch and blower (Auto HVAC) .....	484	Park assist system 2.....	538
Mode control (Auto HVAC) .....	486	Park assist system 3.....	540
Compressor control (Auto HVAC)-JLH_3G15TD.....	488	Park assist system 4.....	542
Compressor control (Auto HVAC)-JLE_4G18TD.....	490	Rearview camera .....	544
Temperature control 1(Auto HVAC) .....	492	360 Overall view .....	546
Temperature control 2(Auto HVAC) .....	494	Power supply and data.....	548
Defroster control system 1 (type 1) .....	496	Sensors and Actuators 1 .....	550
Defroster control system 1 (type 2) .....	498	Sensors and Actuators 2 .....	552
Defroster control system 2.....	500	Seat belt buckle switch 1 .....	554
Air quality system .....	502	Seat belt buckle switch 2 .....	556
Power supply and data 1(Multimedia).....	504	Horn control .....	558
Power supply and data 2(Multimedia).....	506	Hot and cold Cup .....	560
Speakers 1(Multimedia) .....	508	Cigar lighter and accessory power outlet 1 .....	562
Speakers 2(Multimedia) .....	510	Cigar lighter and accessory power outlet 2 .....	564
Power supply and data 1(Power amplifier) .....	512	Wireless charging .....	566
		Power window 1.....	568
		Power window 2.....	570
		Power Window 3 .....	572

---

Power window 4.....	574
Power window .....	576
Gateway .....	578
Data link connector.....	580
Controller area network 1(HB_CAN) .....	582
Controller Area Network 1(HB_CAN)(Body harness) .....	584
Controller Area Network 2(PT_CAN).....	586
Controller area network 3(PT_CAN).....	588
Controller area network 4(IF_CAN).....	590
Controller area network 5(IF_CAN).....	592
Controller area network 5(IF_CAN)(Body harness) .....	594
Controller area network 6(CF_CAN) .....	596
Controller area network 6(CF_CAN)(Body harness) .....	598
Controller area network 7(CF_CAN) .....	600
Controller area network 7(CF_CAN)(Body harness) .....	602
Controller area network 8(CS_CAN) .....	604
Controller area network 8(CS_CAN)(Body harness) .....	606
Controller area network 9(CS_CAN) .....	608
Controller area network 10(CS_CAN) .....	610

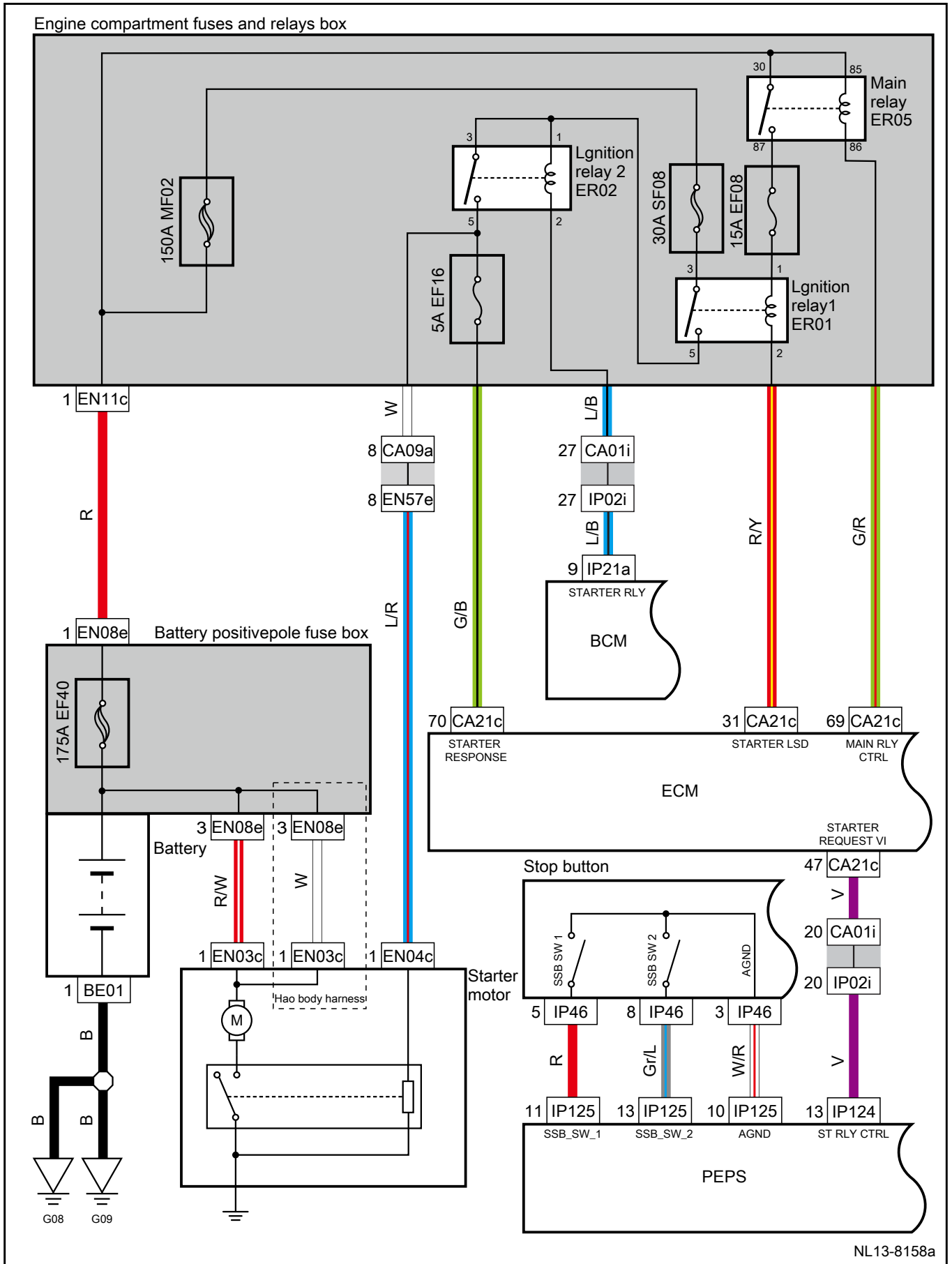
Starting System(JLH\_3G15TD+7DCT/6AT)



NL13-8318a

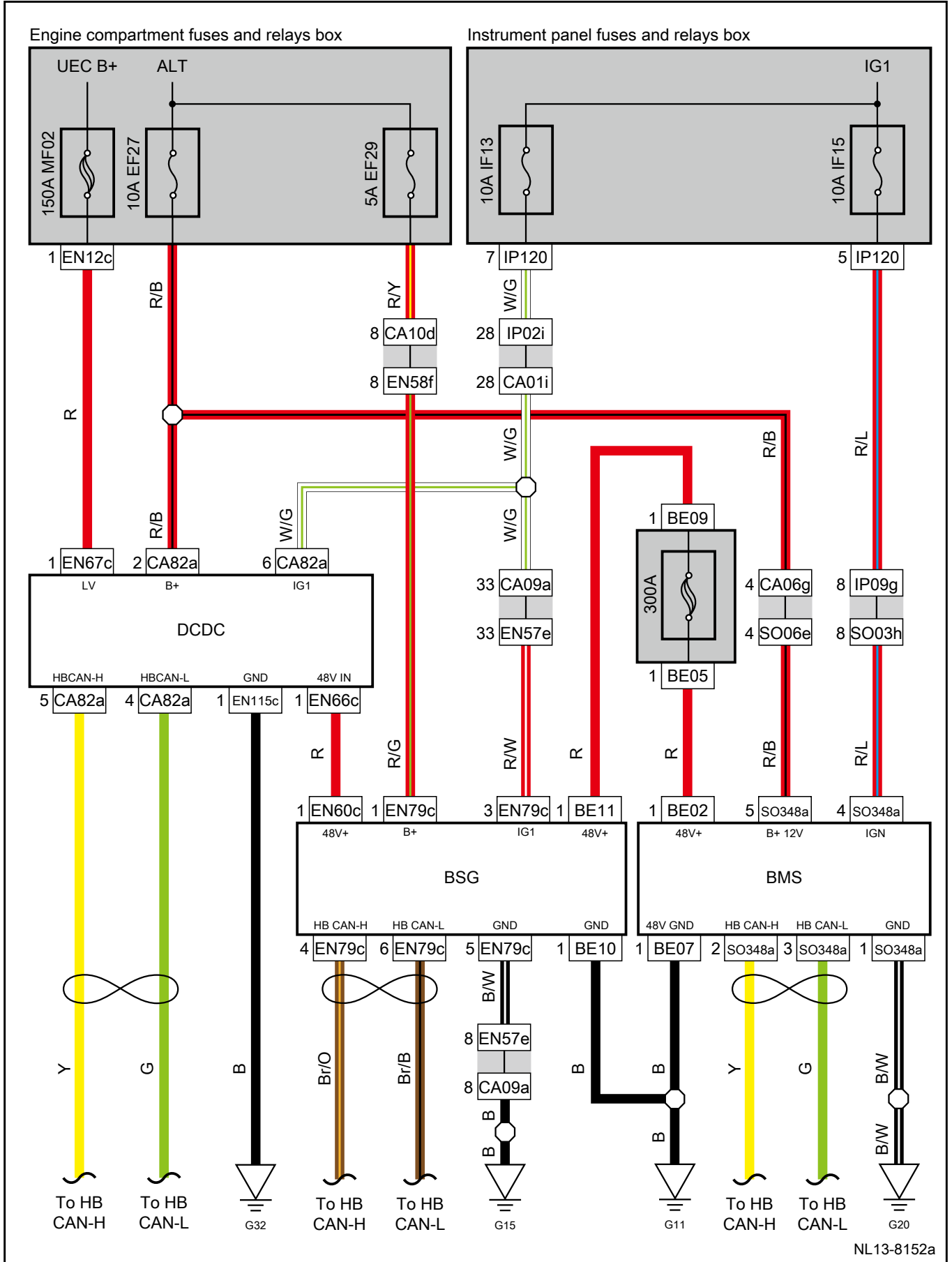
Harness connector	Name	Page
BE01	Battery (-)	24
CA01i	Engine compartment to instrument panel harness connector 1	30
CA10d	Engine compartment to engine harness connector 2	29
CA21c	Engine control module harness connector 2	29
EN03c	Starter motor (B+) harness connector	50
EN04c	Starter solenoid valve harness connector	50
EN08e	Battery positive terminal harness connector	50
EN11c	Engine compartment fuses and relays box (lug 1)	50
EN58f	Engine to engine compartment harness connector 2	50
IP02i	Instrument panel to engine compartment harness connector 1	78
IP21a	Body control module harness connector 2	78
IP46	Start/Stop button harness connector	80
IP124	Passive entry passive start control module harness connector 1	80
IP125	Passive entry passive start control module harness connector 2	79
G08	Battery negative harness grounding	189
G09	Battery negative harness grounding	189

Starting System(JLE\_4G18TD+7DCT)



Harness connector	Name	Page
BE01	Battery (-)	24
CA01i	Engine compartment to instrument panel harness connector 1	30
CA09a	Engine compartment to engine harness connector 1	29
CA21c	Engine control module harness connector 2	29
EN03c	Starter motor (B+) harness connector	65
EN04c	Starter solenoid valve harness connector	65
EN08e	Battery positive terminal harness connector	65
EN11c	Engine compartment fuses and relays box (lug 1)	65
EN57e	Engine to engine compartment harness connector 1	65
IP02i	Instrument panel to engine compartment harness connector 1	78
IP21a	Body control module harness connector 2	78
IP46	Start/Stop button harness connector	80
IP124	Passive entry passive start control module harness connector 1	80
IP125	Passive entry passive start control module harness connector 2	79
G08	Battery negative harness grounding	189
G09	Battery negative harness grounding	189

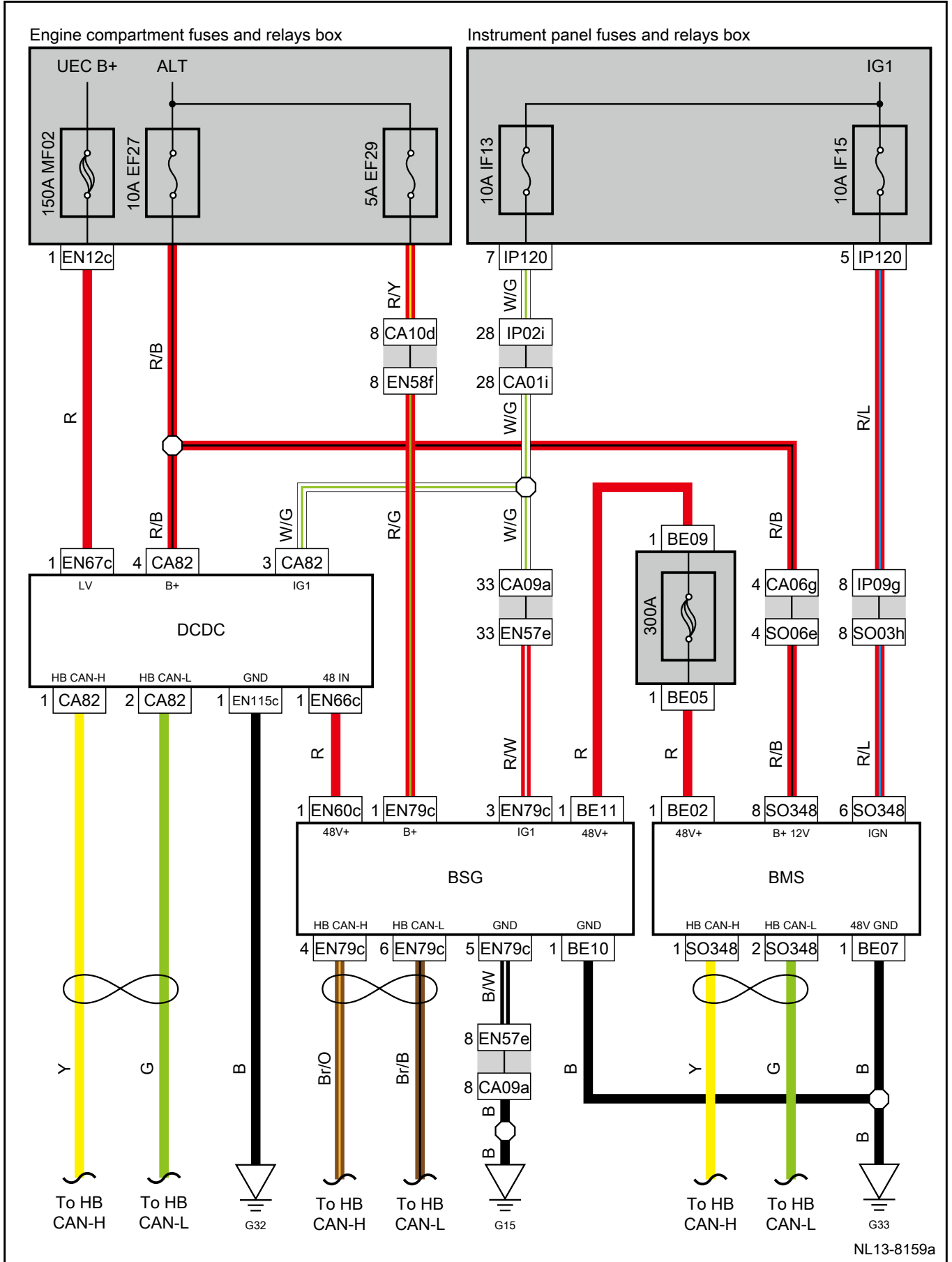
Starting System (BOSCH BSG)



Harness connector	Name	Page
BE02	48V Battery (+)	25
BE05	Harness connector to 48V battery fuse box 1	25
BE07	48V Battery (-)	25
BE09	Harness connector to 48V battery fuse box 2	25
BE10	BSG (-)	25
BE11	BSG (+)	25
CA01i	Engine compartment to instrument panel harness connector 1	30
CA06g	Engine compartment to floor harness connector	30
CA09a	Engine compartment to engine harness connector 1	29
CA10d	Engine compartment to engine harness connector 2	29
CA82a	DC/DC harness connector	29
EN12c	Engine compartment fuses and relays box (lug 2)	50
EN57e	Engine to engine compartment harness connector 1	50
EN58f	Engine to engine compartment harness connector 2	50
EN60c	BSG harness connector	49
EN66c	DC/DC HV harness connector	49
EN67c	DC/DC LV harness connector	49
EN79c	BSG signal harness connector	50
EN115c	DC/DC terminal negative harness connector	49
IP02i	Instrument panel to engine compartment harness connector 1	78
IP09g	Instrument panel to floor harness connector 3	80
IP120	Intelligent electrical junction boxes harness connector F	78
SO03h	Floor to instrument panel harness connector 3	124
SO06e	Floor to engine compartment harness connector	123
SO348a	BMS module harness connector	125
G11	48v battery ground harness grounding	190
G15	Engine compartment harness grounding	49
G20	Floor harness grounding	196
G32	DCDC ground harness grounding	193

Join point	Explanations	Page
CA82a-5	To HB CAN-H	582,584
CA82a-4	To HB CAN-L	582,584
EN79c-4	To HB CAN-H	582,584
EN79c-6	To HB CAN-L	582,584
SO348a-1	To HB CAN-H	582,584
SO348a-2	To HB CAN-L	582,584

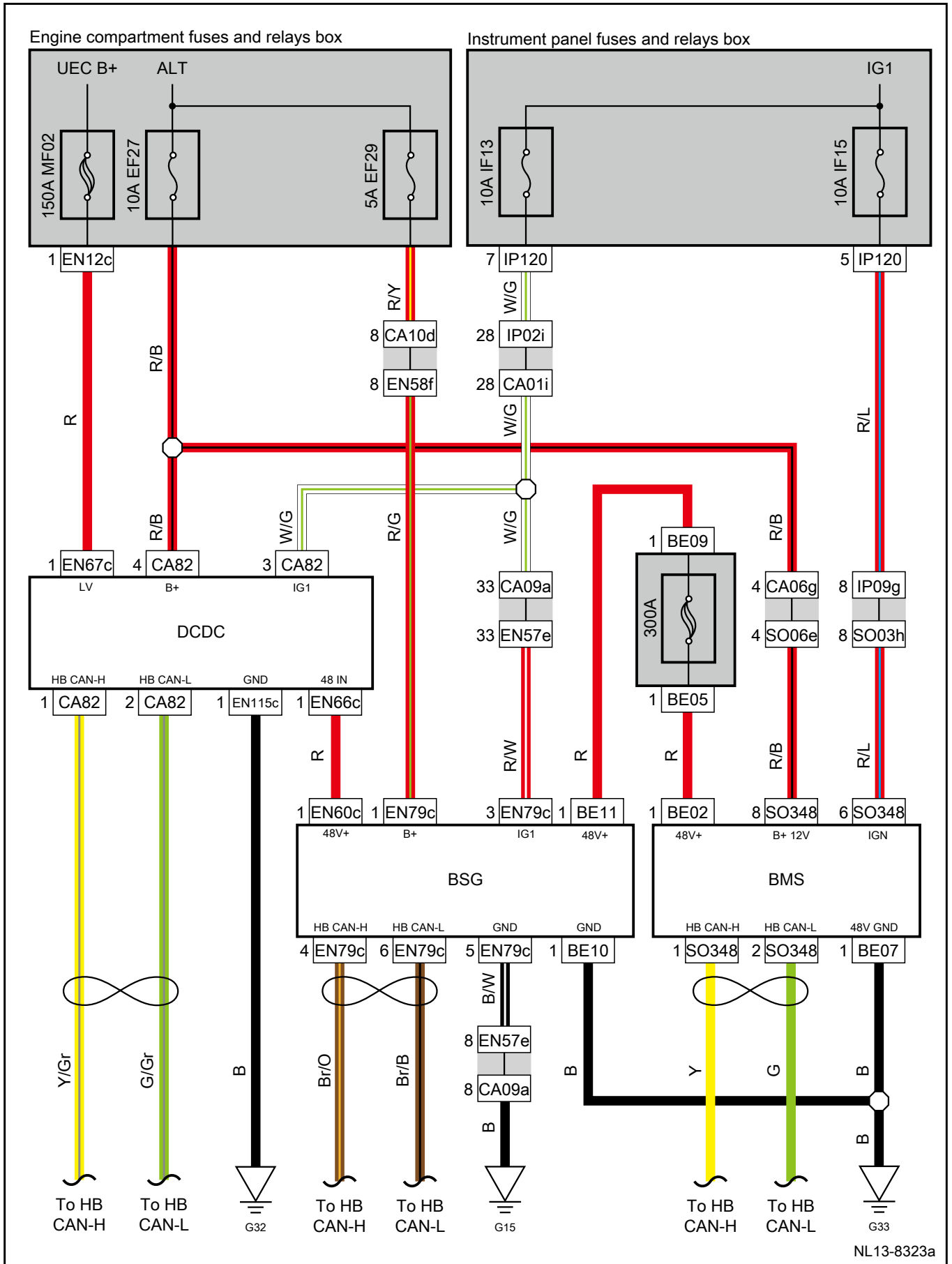
Starting System(Vientiane BSG)



Harness connector	Name	Page
BE02	48V Battery (+)	25
BE05	Harness connector to 48V battery fuse box 1	25
BE07	48V Battery (-)	25
BE09	Harness connector to 48V battery fuse box 2	25
BE10	BSG (-)	25
BE11	BSG (+)	25
CA01i	Engine compartment to instrument panel harness connector 1	30
CA06g	Engine compartment to floor harness connector	30
CA09a	Engine compartment to engine harness connector 1	29
CA10d	Engine compartment to engine harness connector 2	29
CA82	DC/DC harness connector	29
EN12c	Engine compartment fuses and relays box (lug 2)	50
EN57e	Engine to engine compartment harness connector 1	50
EN58f	Engine to engine compartment harness connector 2	50
EN60c	BSG harness connector	49
EN66c	DC/DC HV harness connector	49
EN67c	DC/DC LV harness connector	49
EN79c	BSG signal harness connector	50
EN115c	DC/DC terminal negative harness connector	49
IP02i	Instrument panel to engine compartment harness connector 1	78
IP09g	Instrument panel to floor harness connector 3	80
IP120	Intelligent electrical junction boxes harness connector F	78
SO03h	Floor to instrument panel harness connector 3	124
SO06e	Floor to engine compartment harness connector	123
SO348	BMS module harness connector	123
G15	Engine compartment harness grounding	191
G32	DCDC ground harness grounding	193
G33	48v battery ground harness grounding	190

Join point	Explanations	Page
CA82-1	To HB CAN-H	582,584
CA82-2	To HB CAN-L	582,584
EN79c-4	To HB CAN-H	582,584
EN79c-6	To HB CAN-L	582,584
SO348-1	To HB CAN-H	582,584
SO348-2	To HB CAN-L	582,584

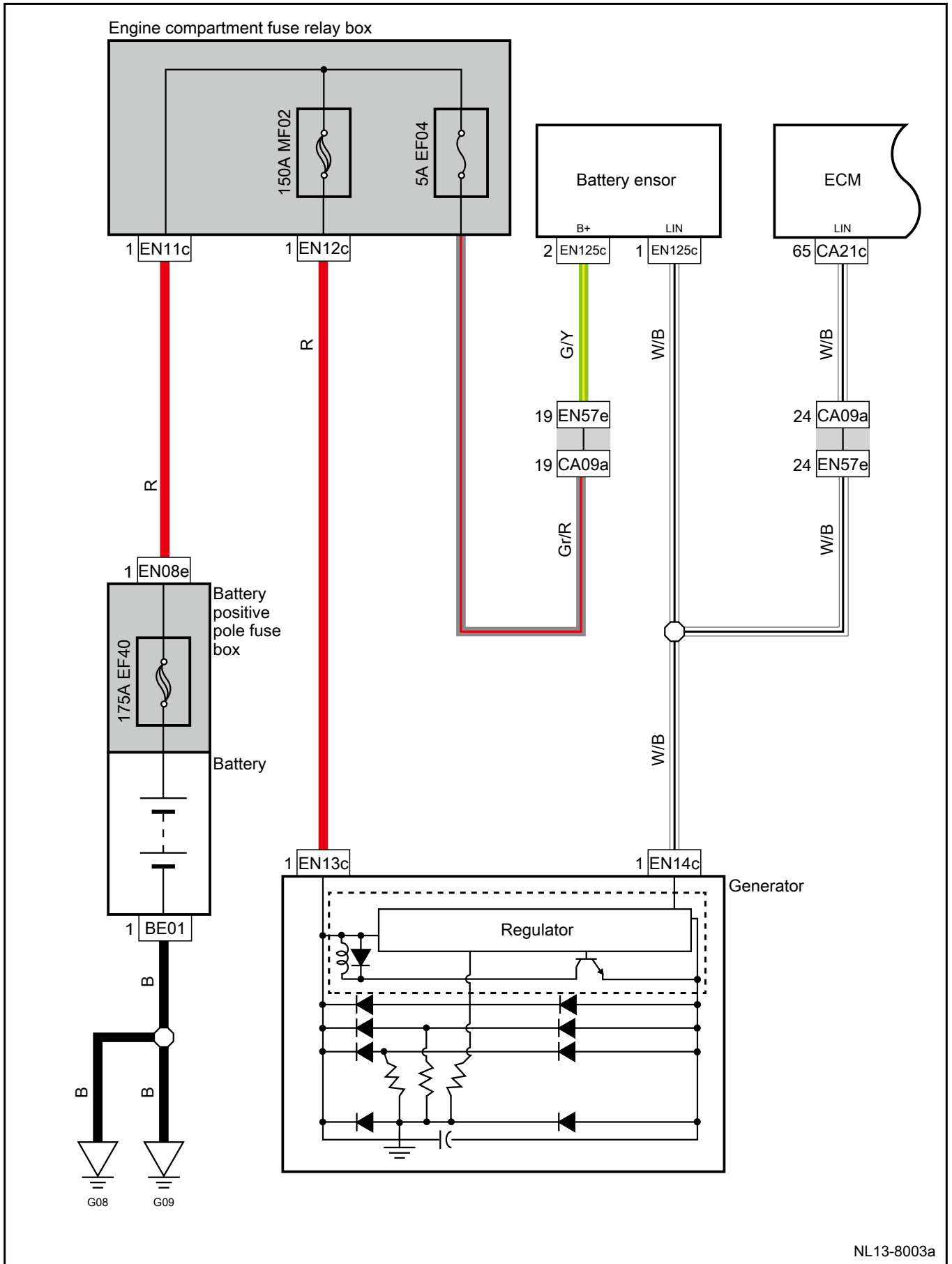
Starting System(Vientiane BSG+Body harness)



Harness connector	Name	Page
BE02	48V Battery (+)	25
BE05	Harness connector to 48V battery fuse box 1	25
BE07	48V Battery (-)	25
BE09	Harness connector to 48V battery fuse box 2	25
BE10	BSG (-)	25
BE11	BSG (+)	25
CA01i	Engine compartment to instrument panel harness connector 1	30
CA06g	Engine compartment to floor harness connector	30
CA09a	Engine compartment to engine harness connector 1	29
CA10d	Engine compartment to engine harness connector 2	29
CA82	DC/DC harness connector	29
EN12c	Engine compartment fuses and relays box (lug 2)	50
EN57e	Engine to engine compartment harness connector 1	50
EN58f	Engine to engine compartment harness connector 2	50
EN60c	BSG harness connector	49
EN66c	DC/DC HV harness connector	49
EN67c	DC/DC LV harness connector	49
EN79c	BSG signal harness connector	50
EN115c	DC/DC terminal negative harness connector	49
IP02i	Instrument panel to engine compartment harness connector 1	78
IP09g	Instrument panel to floor harness connector 3	80
IP120	Intelligent electrical junction boxes harness connector F	78
SO03h	Floor to instrument panel harness connector 3	124
SO06e	Floor to engine compartment harness connector	123
SO348	BMS module harness connector	123
G15	Engine compartment harness grounding	191
G32	DCDC ground harness grounding	193
G33	48v battery ground harness grounding	190

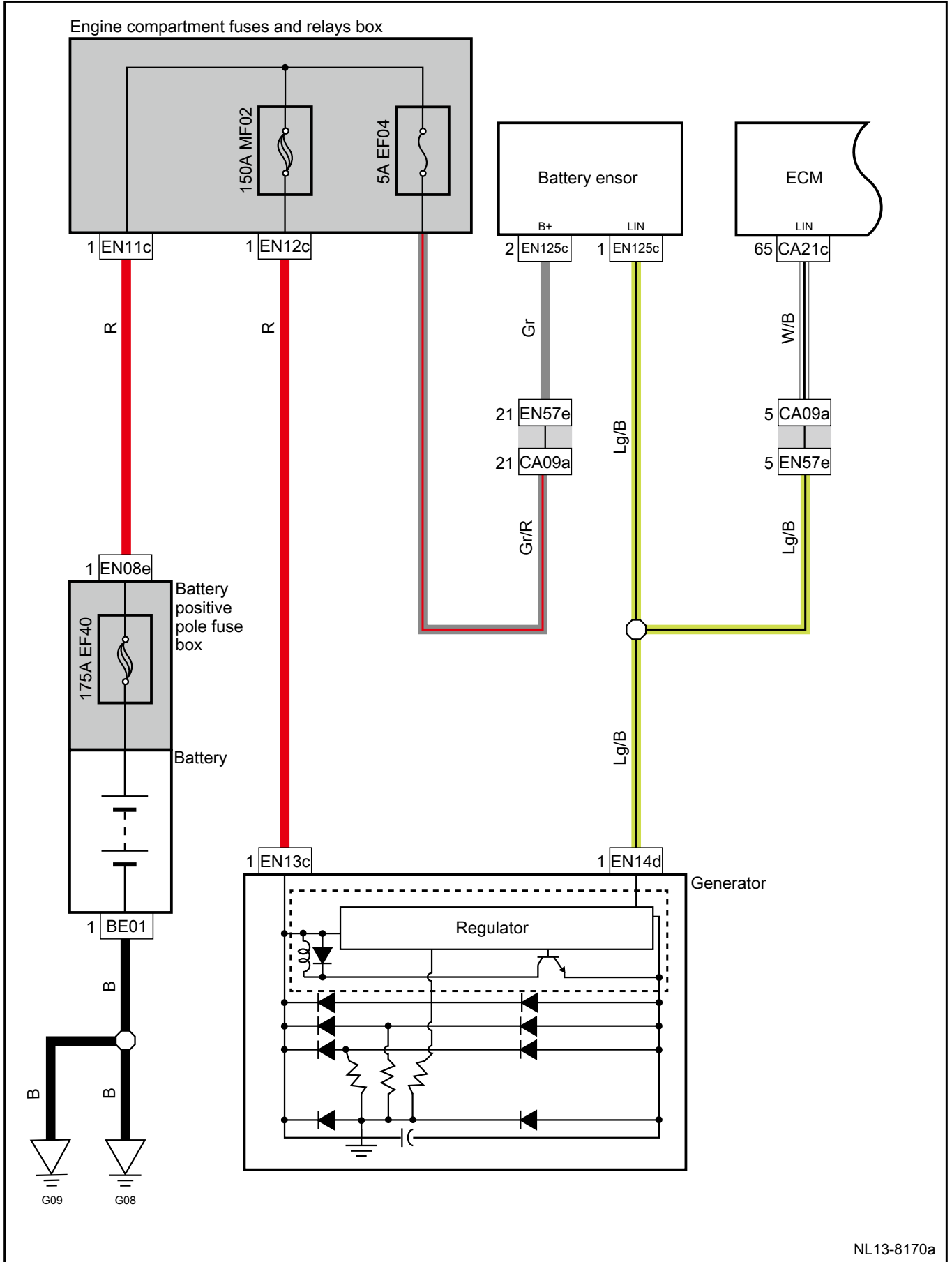
Join point	Explanations	Page
CA82-1	To HB CAN-H	582,584
CA82-2	To HB CAN-L	582,584
EN79c-4	To HB CAN-H	582,584
EN79c-6	To HB CAN-L	582,584
SO348-1	To HB CAN-H	582,584
SO348-2	To HB CAN-L	582,584

Charging System(JLH\_3G15TD+7DCT/6AT)



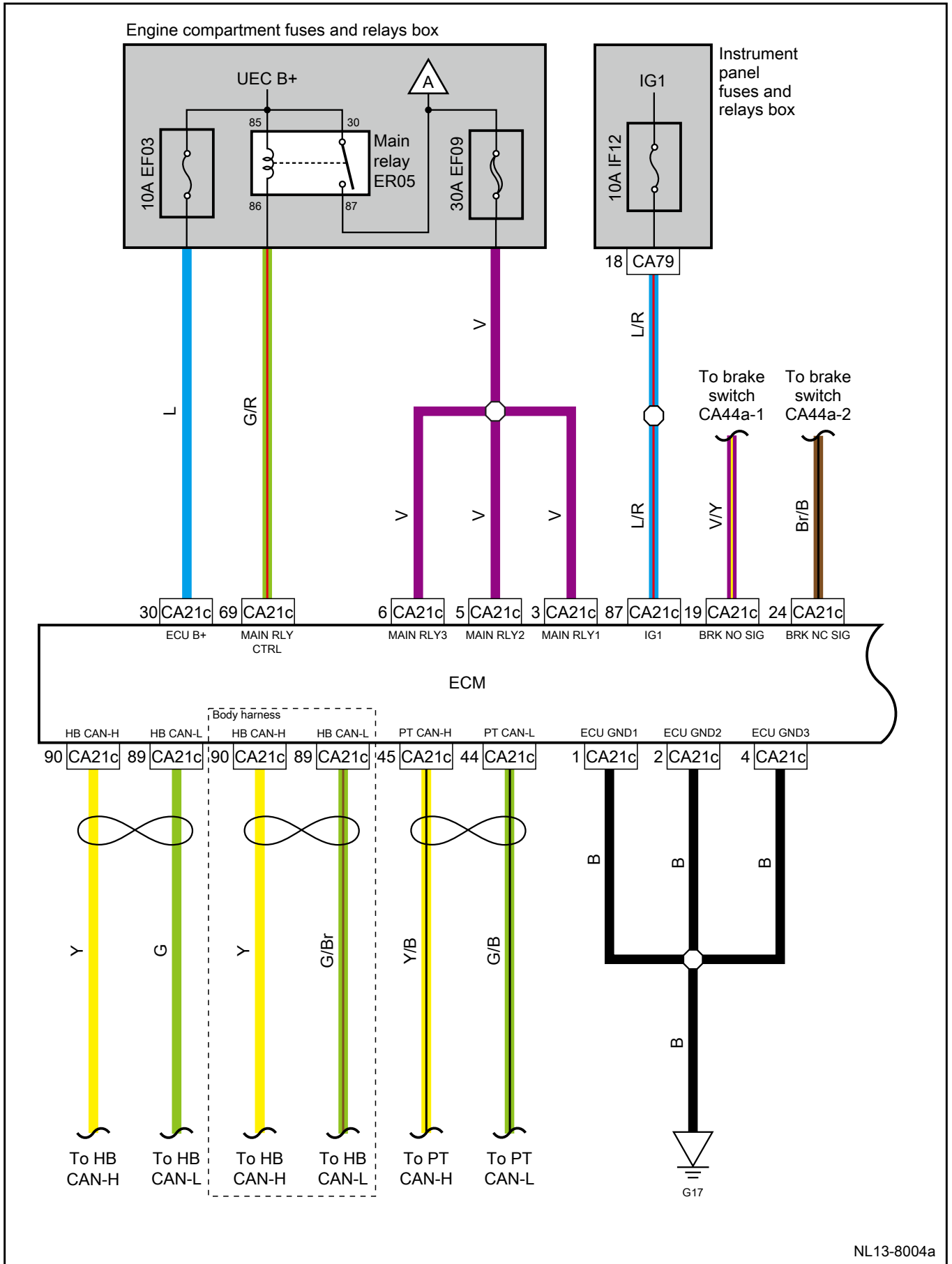
Harness connector	Name	Page
BE01	Battery (-)	24
CA09a	Engine compartment to engine harness connector 1	29
CA21c	Engine control module harness connector 2	29
EN08e	Battery positive terminal harness connector	50
EN11c	Engine compartment fuses and relays box (lug 1)	50
EN12c	Engine compartment fuses and relays box (lug 2)	50
EN13c	Generator (B+) harness connector	50
EN14c	Generator harness connector	50
EN57e	Engine to engine compartment harness connector 1	50
EN125c	Battery sensor harness connector	50
G08	Battery negative harness grounding	189
G09	Battery negative harness grounding	189

Charging System(JLE\_4G18TD+7DCT)



Harness connector	Name	Page
BE01	Battery (-)	24
CA09a	Engine compartment to engine harness connector 1	29
CA21c	Engine control module harness connector 2	29
EN08e	Battery positive terminal harness connector	65
EN11c	Engine compartment fuses and relays box (lug 1)	65
EN12c	Engine compartment fuses and relays box (lug 2)	65
EN13c	Generator (B+) harness connector	65
EN14d	Generator harness connector	65
EN57e	Engine to engine compartment harness connector 1	65
EN125c	Battery sensor harness connector	65
G08	Battery negative harness grounding	189
G09	Battery negative harness grounding	189

Power supply and data(JLH\_3G15TD)

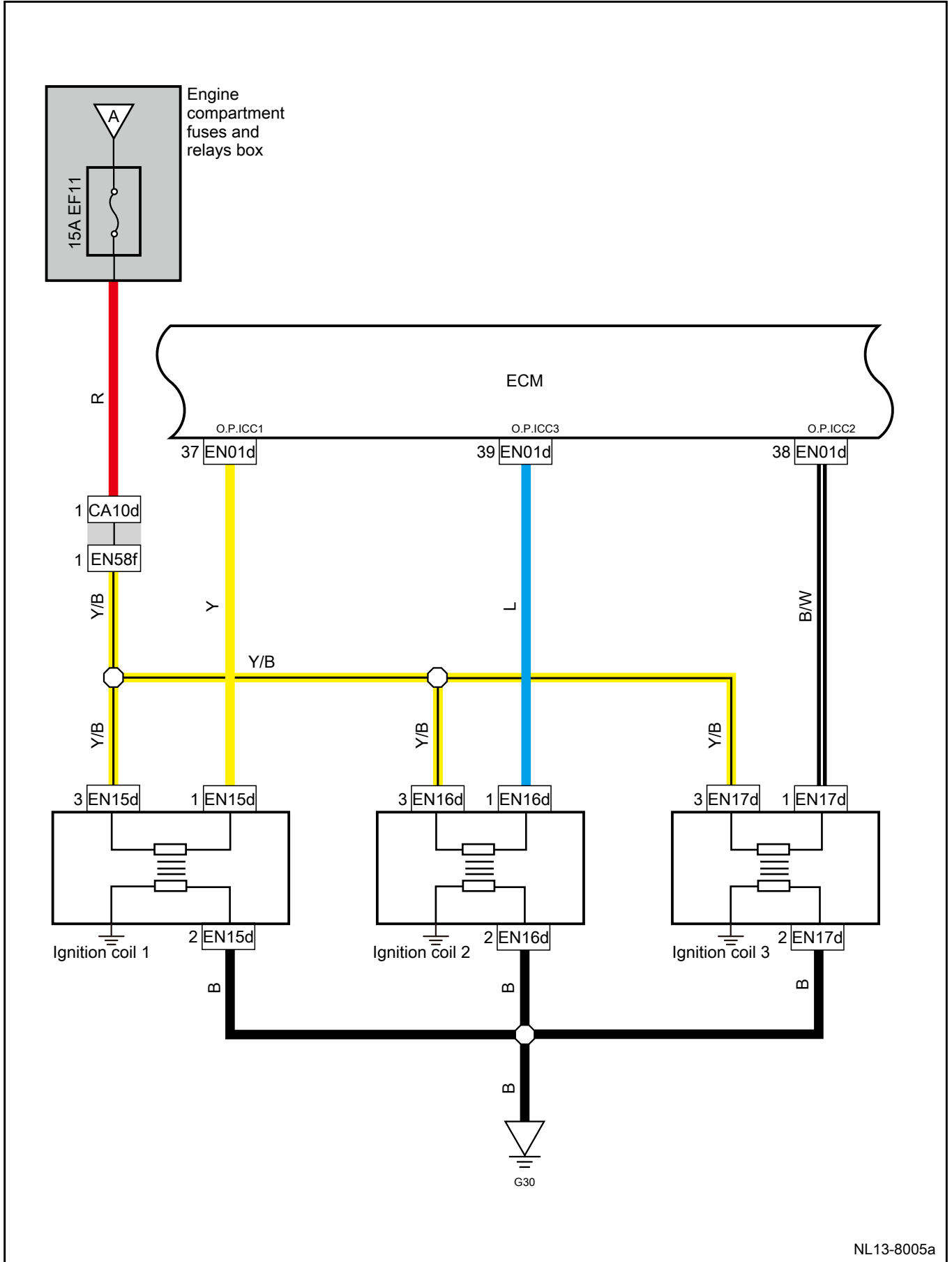


NL13-8004a

Harness connector	Name	Page
CA21c	Engine control module harness connector 2	29
CA79	Intelligent electrical junction boxes harness connector B	30
G17	Engine compartment harness grounding	191

Join point	Explanations	Page
A	To ECM ignition system-JLH_3G15TD	258
	To ECM fuel injection system 1-JLH_3G15TD	260
	To ECM device control and sensor 1-JLH_3G15TD	264
	To ECM device control and sensor 2-JLH_3G15TD	266
CA21c-19	To brake switch CA44a-1	382
CA21c-24	To brake switch CA44a-2	382
CA21c-45	To PT CAN-H	588
CA21c-44	To PT CAN-L	588
CA21c-90	To HB CAN-H	582,584
CA21c-89	To HB CAN-L	582,584

Ignition system(JLH\_3G15TD)



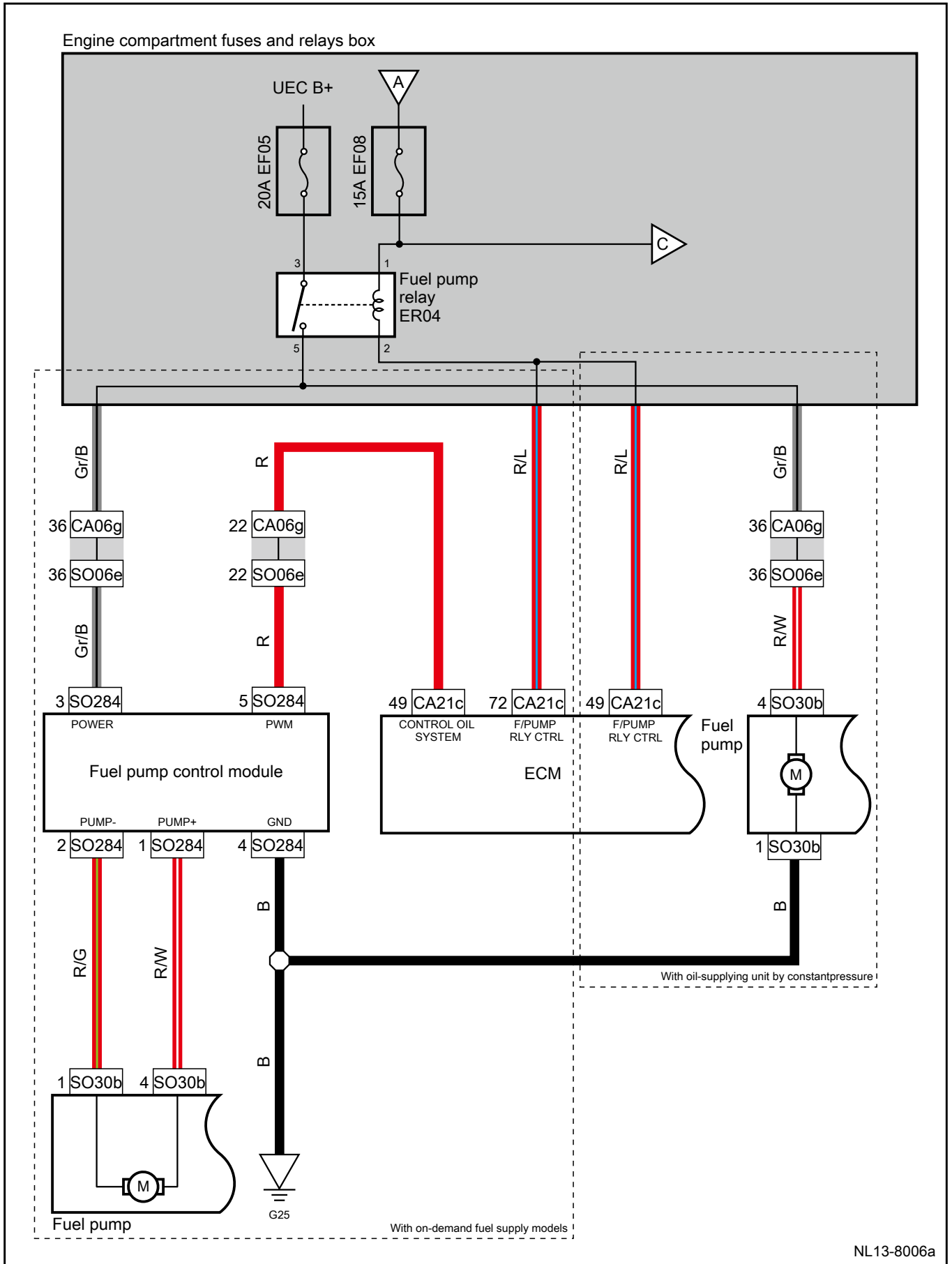
NL13-8005a

---

Harness connector	Name	Page
CA10d	Engine compartment to engine harness connector 2	29
EN01d	Engine control module 1 harness connector	50
EN15d	Ignition coil 1 harness connector	49
EN16d	Ignition coil 2 harness connector	49
EN17d	Ignition coil 3 harness connector	49
EN58f	Engine to engine compartment harness connector 2	50
G30	Engine harness grounding	193

Join point	Explanations	Page
A	To Power supply and data-JLH_3G15TD	256

Fuel injection system 1(JLH\_3G15TD)



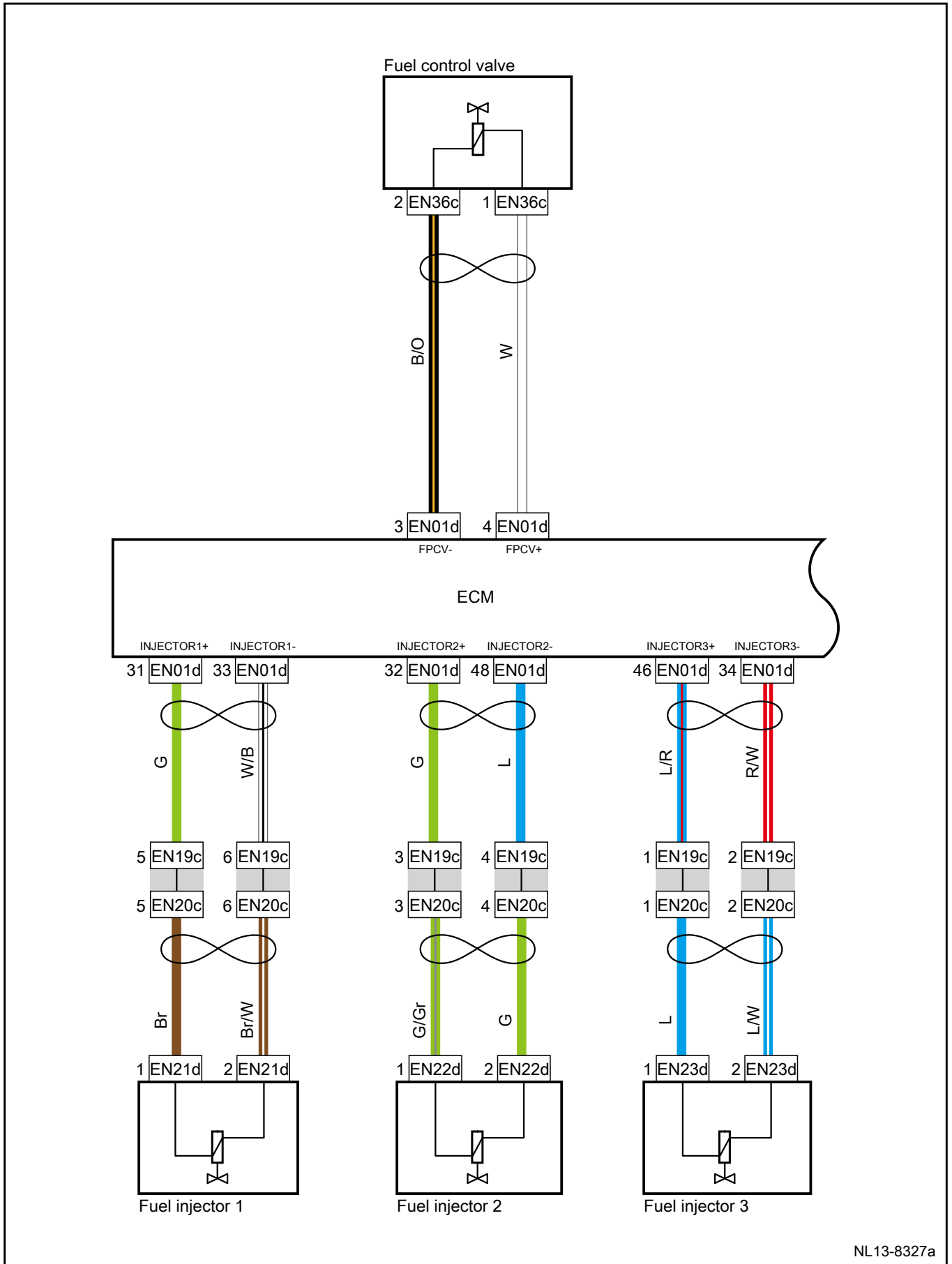
NL13-8006a

---

Harness connector	Name	Page
CA06g	Engine compartment to floor harness connector	30
CA21c	Engine control module harness connector 2	29
SO06e	Floor to engine compartment harness connector	123
SO30b	Fuel pump harness connector	123
SO284	Fuel pump control module harness connector	123
G25	Floor harness grounding	196

Join point	Explanations	Page
A	To Power supply and data-JLH_3G15TD	256
C	To ECM device control and sensor 1-JLH_3G15TD	264
	To ECM cooling fan control -JLH_3G15TD	276

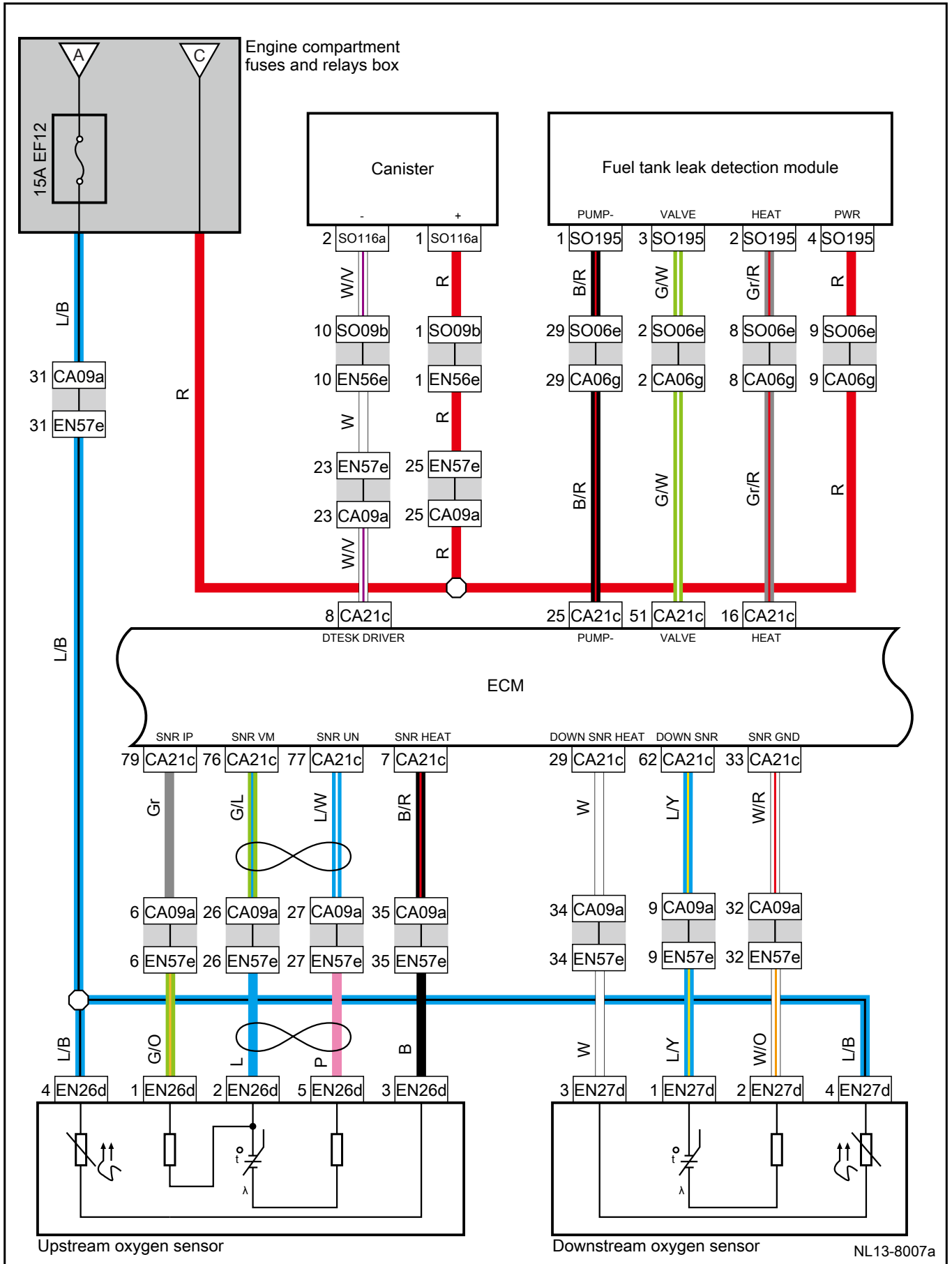
Fuel injection system 2(JLH\_3G15TD)



---

Harness connector	Name	Page
EN01d	Engine control module 1 harness connector	50
EN19c	Engine to fuel injector harness connector	49
EN20c	Fuel injector nozzle to engine harness connector	49
EN21d	Fuel injector 1 harness connector	50
EN22d	Fuel injector 2 harness connector	50
EN23d	Fuel injector 3 harness connector	50
EN36c	Fuel control valve harness connector	49

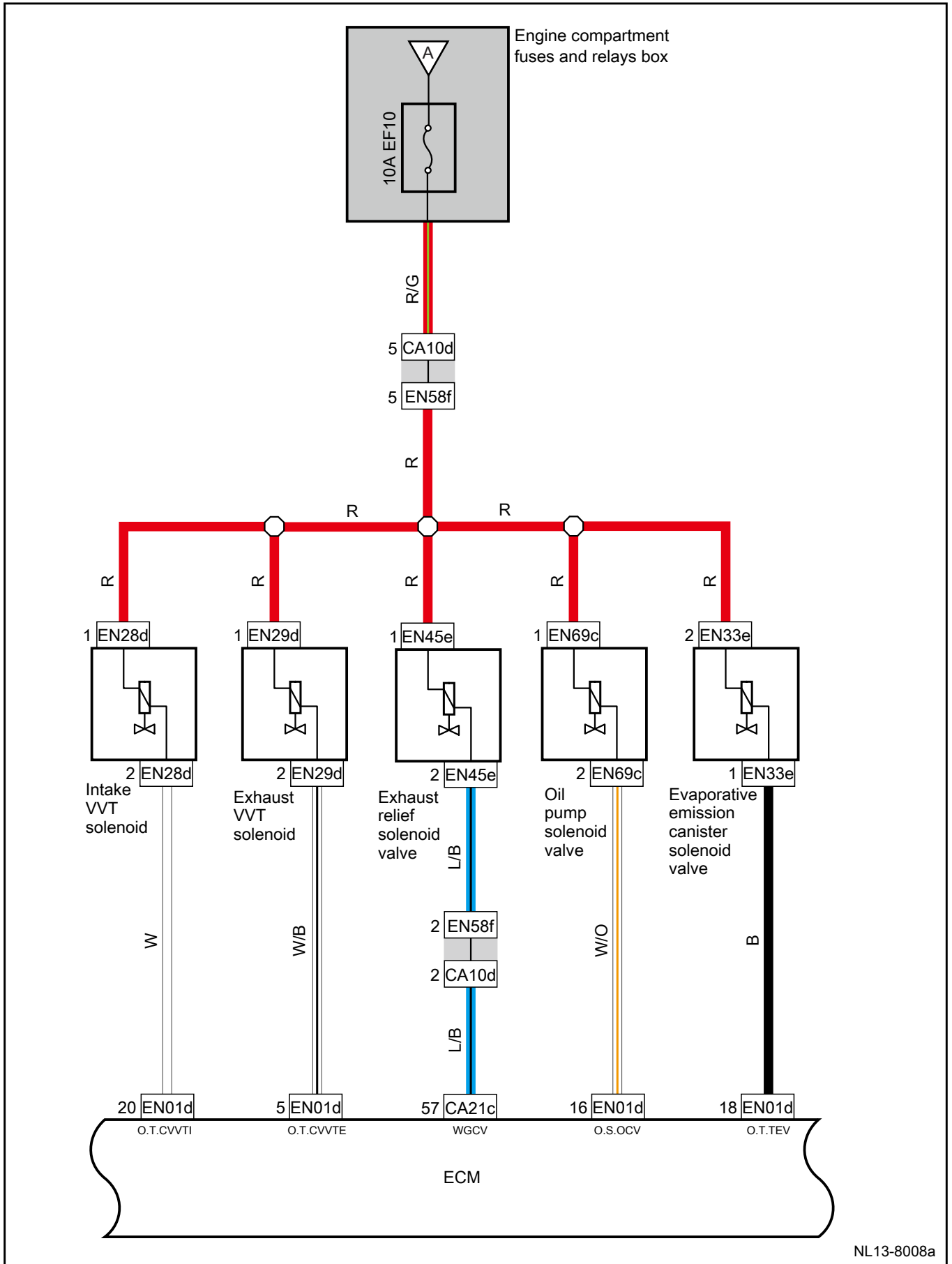
Sensors and actuators 1(JLH\_3G15TD)



Harness connector	Name	Page
CA06g	Engine compartment to floor harness connector	30
CA09a	Engine compartment to engine harness connector 1	29
CA21c	Engine control module harness connector 2	29
EN26d	Upstream oxygen sensor harness connector	49
EN27d	Downstream oxygen sensor harness connector	49
EN56e	Engine to floor harness connector	49
EN57e	Engine to engine compartment harness connector 1	50
SO06e	Floor to engine compartment harness connector	123
SO09b	Floor to engine harness connector	124
SO116a	Canister harness connector	123
SO195	Fuel tank leak detection module harness connector	124

Join point	Explanations	Page
A	To Power supply and data-JLH_3G15TD	256
C	To ECM fuel injection system 1-JLH_3G15TD	260

Sensors and actuators 2(JLH\_3G15TD)

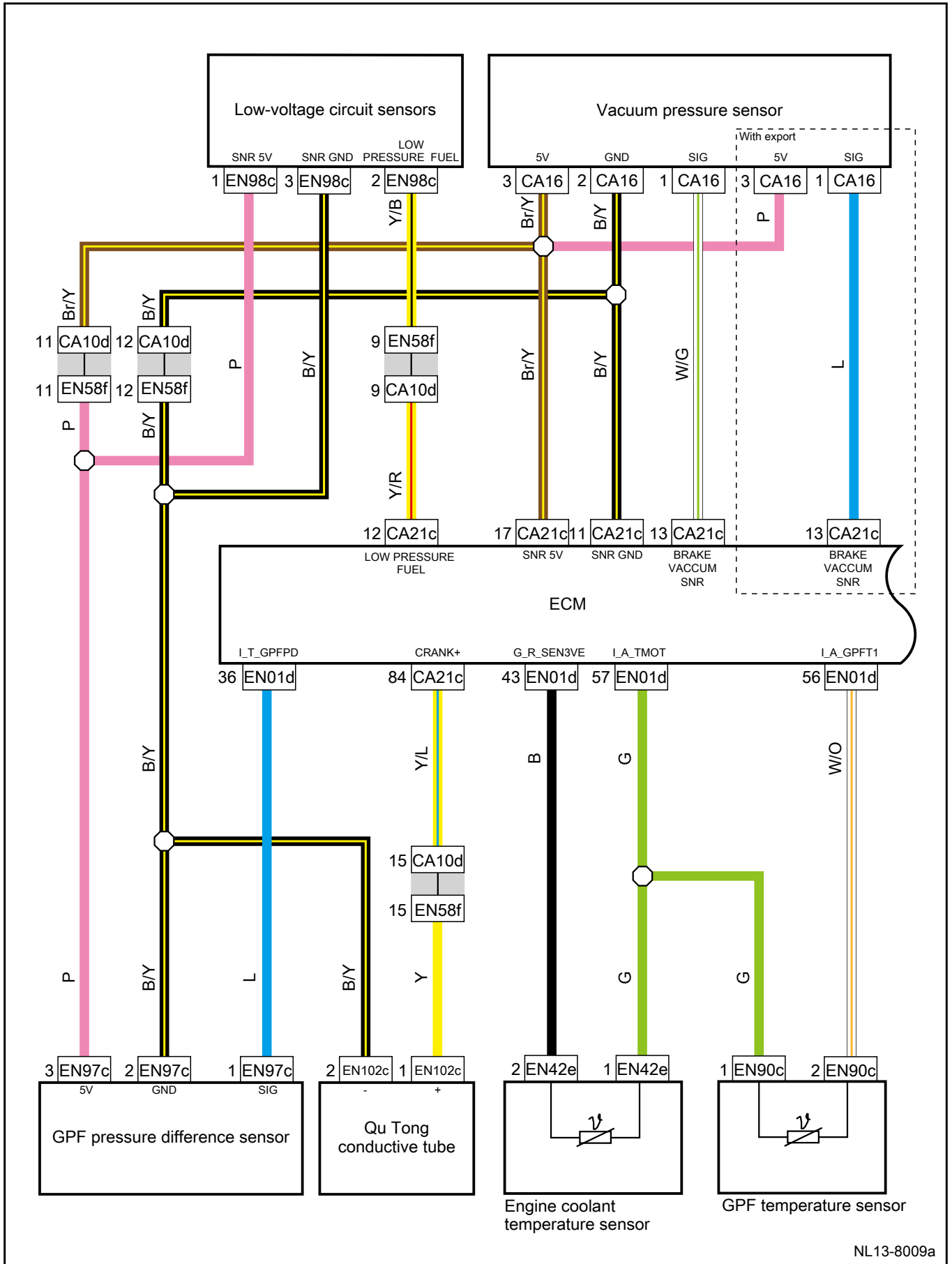


---

Harness connector	Name	Page
CA10d	Engine compartment to engine harness connector 2	29
CA21c	Engine control module harness connector 2	29
EN01d	Engine control module 1 harness connector	50
EN28d	Intake VVT solenoid harness connector	49
EN29d	Exhaust VVT solenoid harness connector	49
EN33e	Evaporative emission canister solenoid valve harness connector	49
EN45e	Exhaust relief solenoid valve harness connector	49
EN58f	Engine to engine compartment harness connector 2	50
EN69c	Oil pump solenoid valve harness connector	50

Join point	Explanations	Page
A	To Power supply and data-JLH_3G15TD	256

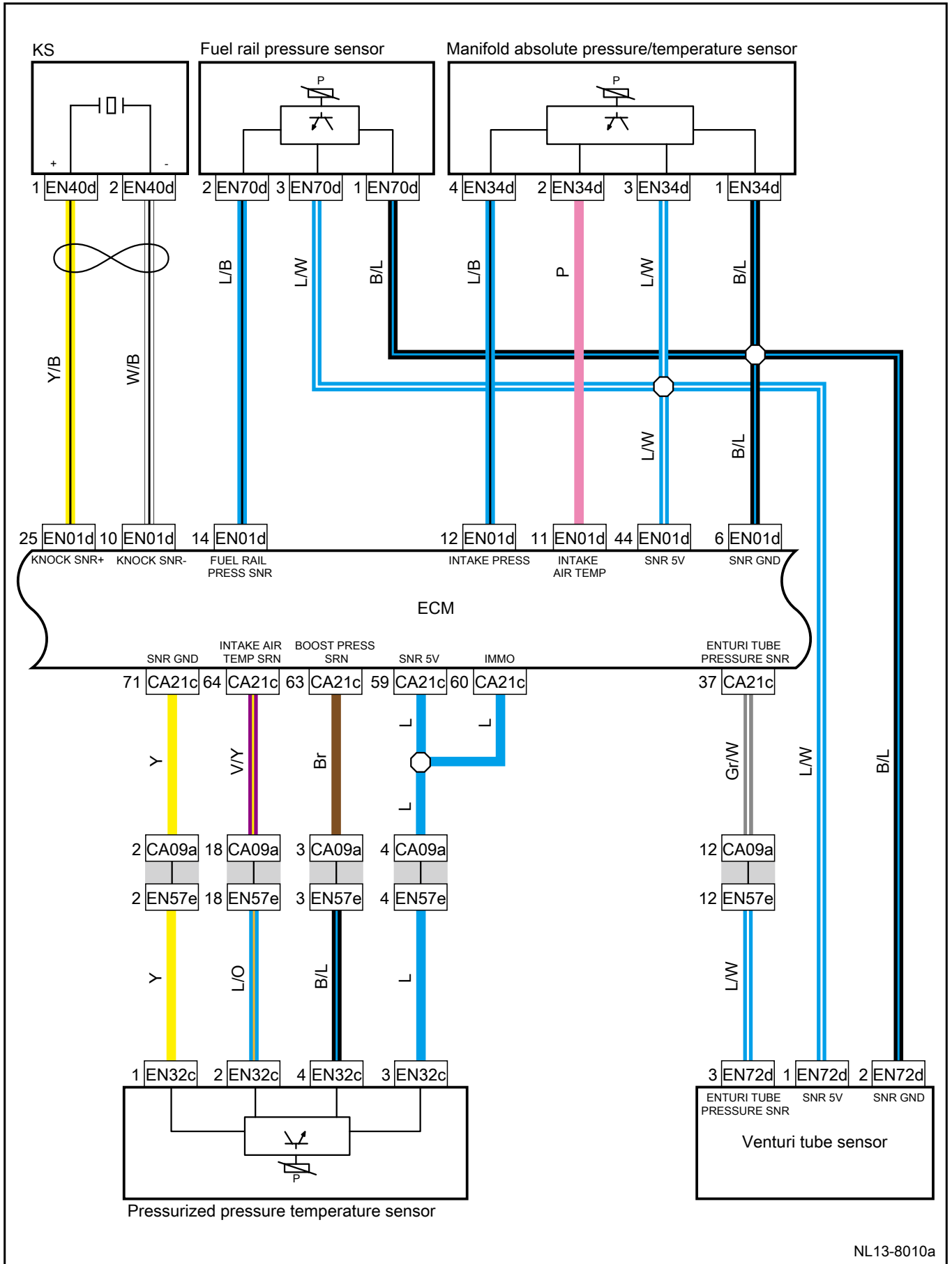
Sensors and actuators 3(JLH\_3G15TD)



---

Harness connector	Name	Page
CA10d	Engine compartment to engine harness connector 2	29
CA16	Vacuum pressure sensor harness connector	29
CA21c	Engine control module harness connector 2	29
EN01d	Engine control module 1 harness connector	50
EN42e	Engine coolant temperature sensor harness connector	50
EN58f	Engine to engine compartment harness connector 2	50
EN90c	GPF temperature sensor harness connector	49
EN97c	GPF pressure difference sensor harness connector	49
EN98c	Low-voltage circuit sensors harness connector	49
EN102c	Qu Tong conductive tube harness connector	49

Sensors and actuators 4(JLH\_3G15TD)

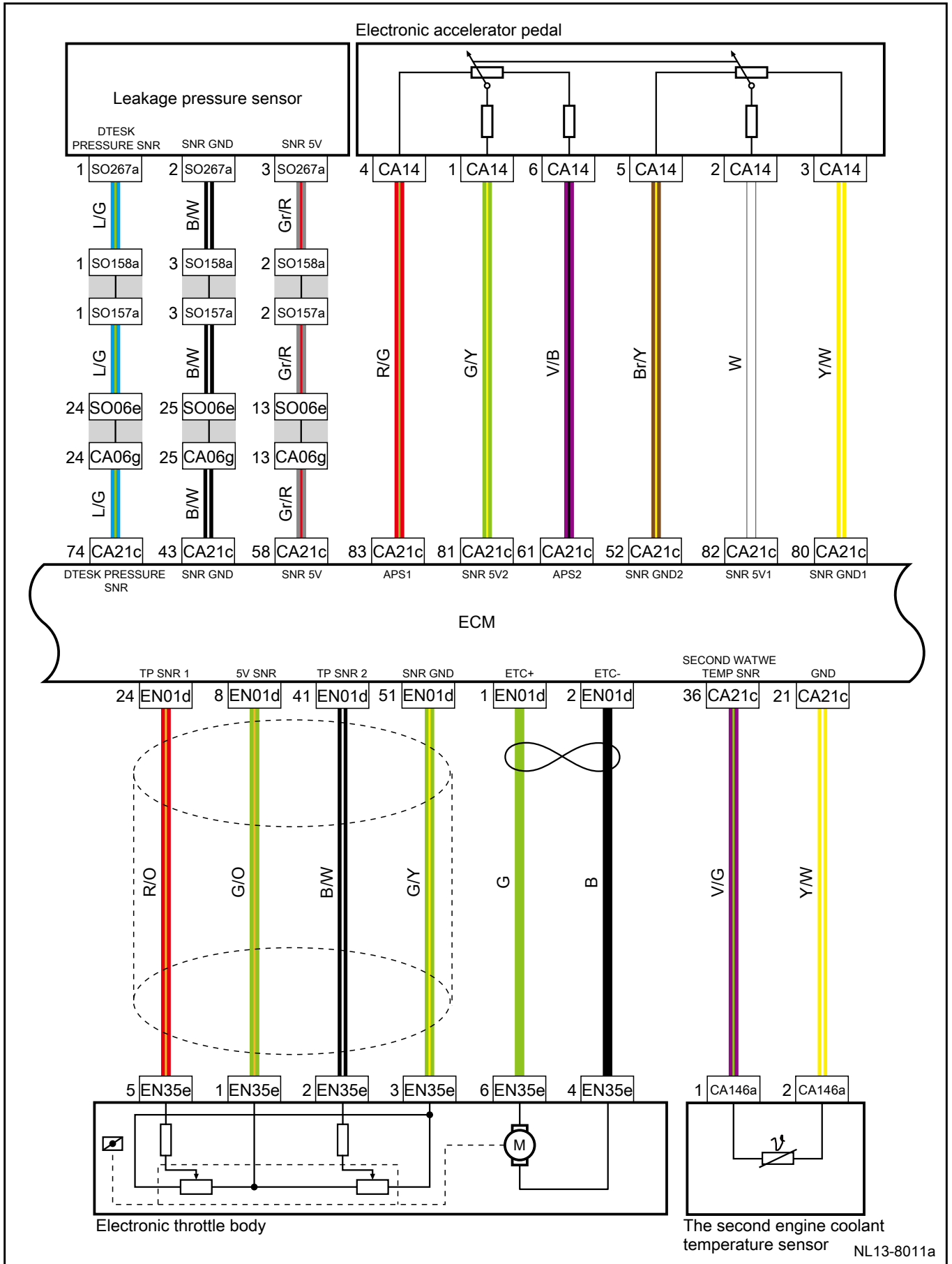


NL13-8010a

---

Harness connector	Name	Page
CA09a	Engine compartment to engine harness connector 1	29
CA21c	Engine control module harness connector 2	29
EN01d	Engine control module 1 harness connector	50
EN32c	Pressurized pressure temperature sensor harness connector	50
EN34d	Manifold absolute pressure/temperature sensor harness connector	50
EN40d	Knock sensor harness connector	50
EN57e	Engine to engine compartment harness connector 1	50
EN70d	Fuel rail pressure sensor harness connector	50
EN72d	Venturi tube sensor harness connector	50

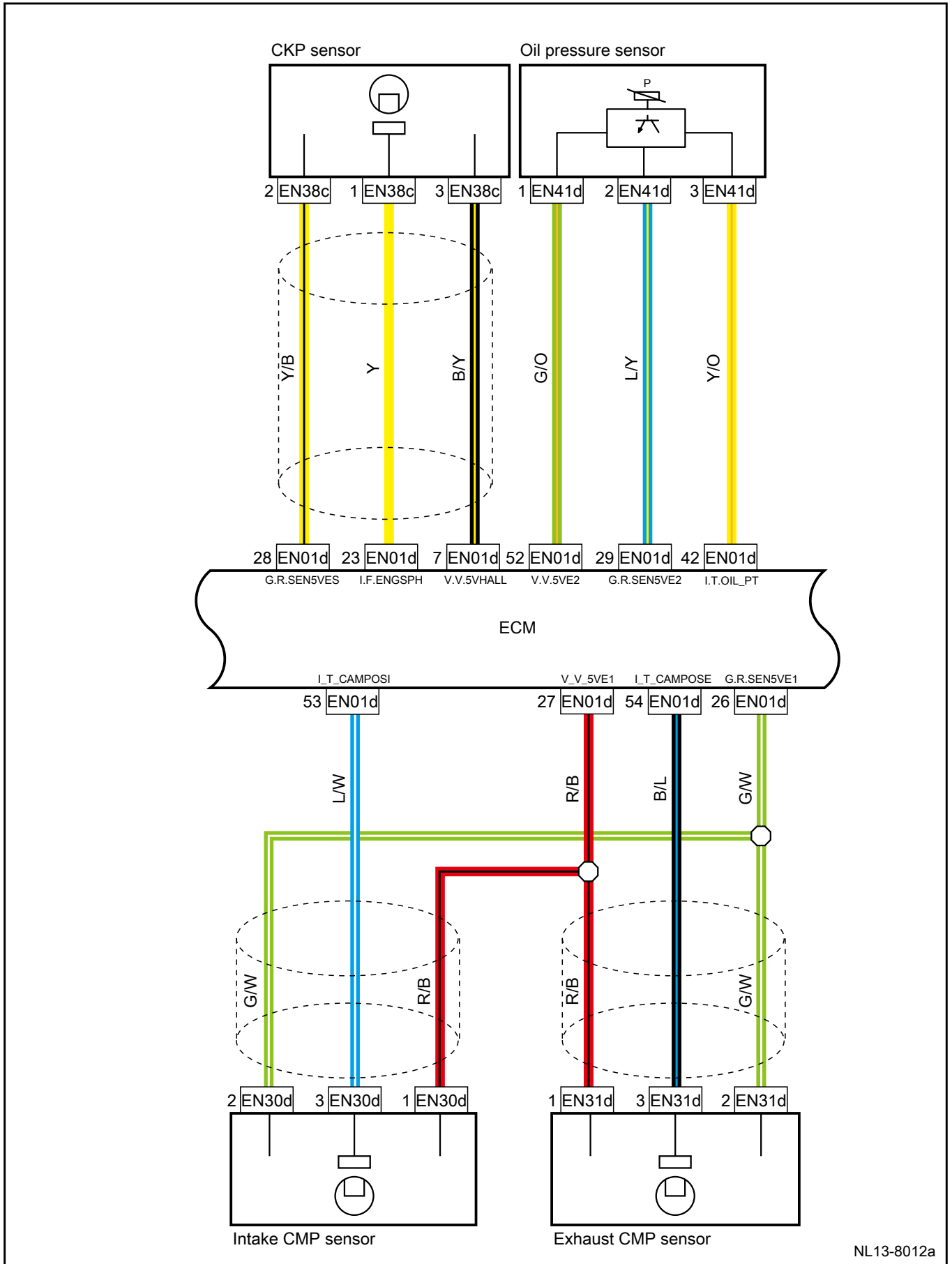
Sensors and actuators 5(JLH\_3G15TD)



---

Harness connector	Name	Page
CA06g	Engine compartment to floor harness connector	30
CA14	Electronic accelerator pedal harness connector	29
CA21c	Engine control module harness connector 2	29
CA146a	The second engine coolant temperature sensor harness connector	29
EN01d	Engine control module 1 harness connector	50
EN35e	Electronic throttle body harness connector	50
SO06e	Floor to engine compartment harness connector	123
SO158a	Transfer the fuel tank leak to floor harness connector	126
SO267a	Leakage pressure sensor harness connector	126

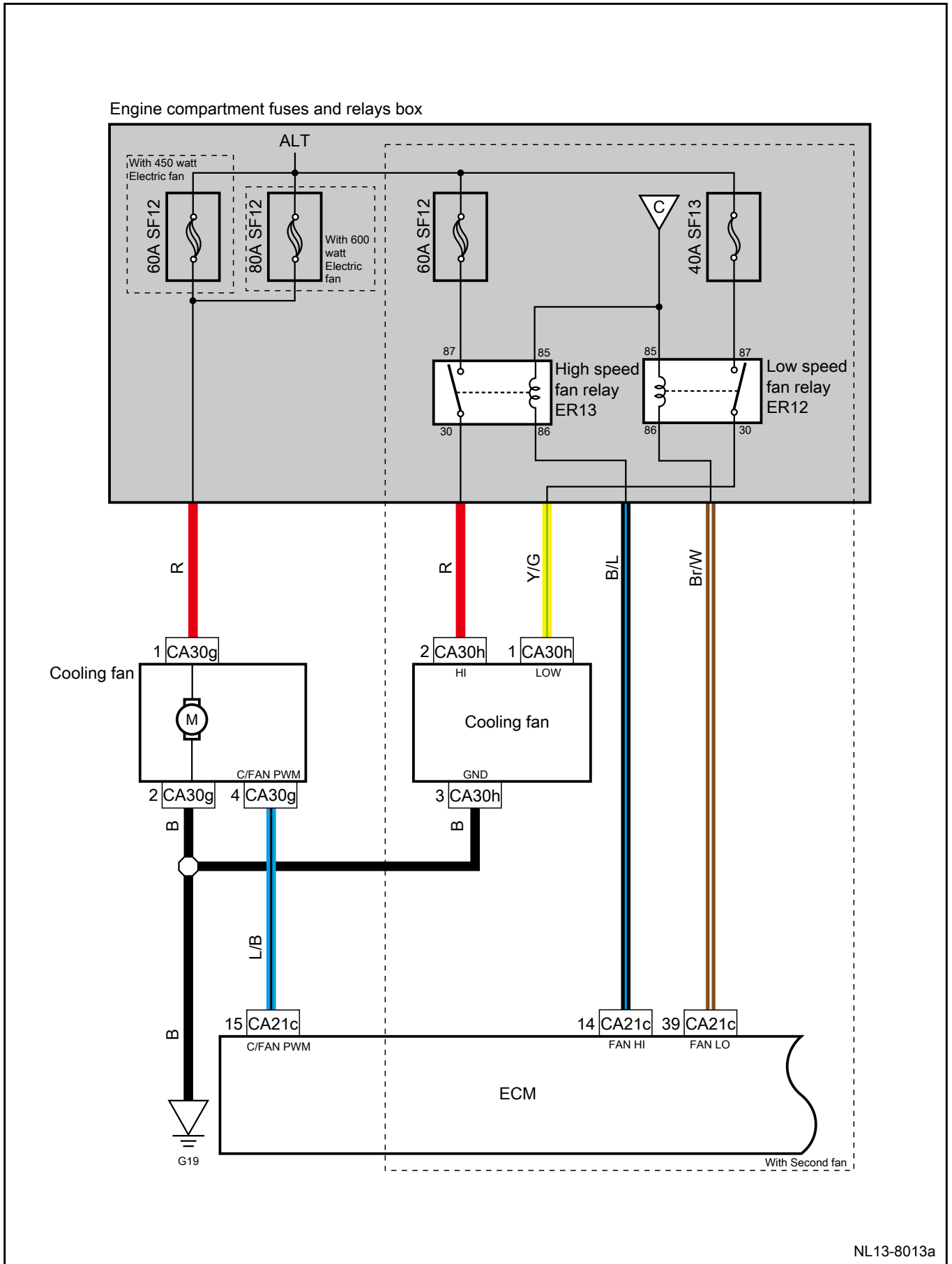
Sensors and actuators 6(JLH\_3G15TD)



---

Harness connector	Name	Page
EN01d	Engine control module 1 harness connector	50
EN30d	Intake camshaft position sensor harness connector	50
EN31d	Exhaust camshaft position sensor harness connector	49
EN38c	Crankshaft position sensor harness connector	49
EN41d	Oil pressure sensor harness connector	50

Cooling fan control(JLH\_3G15TD)

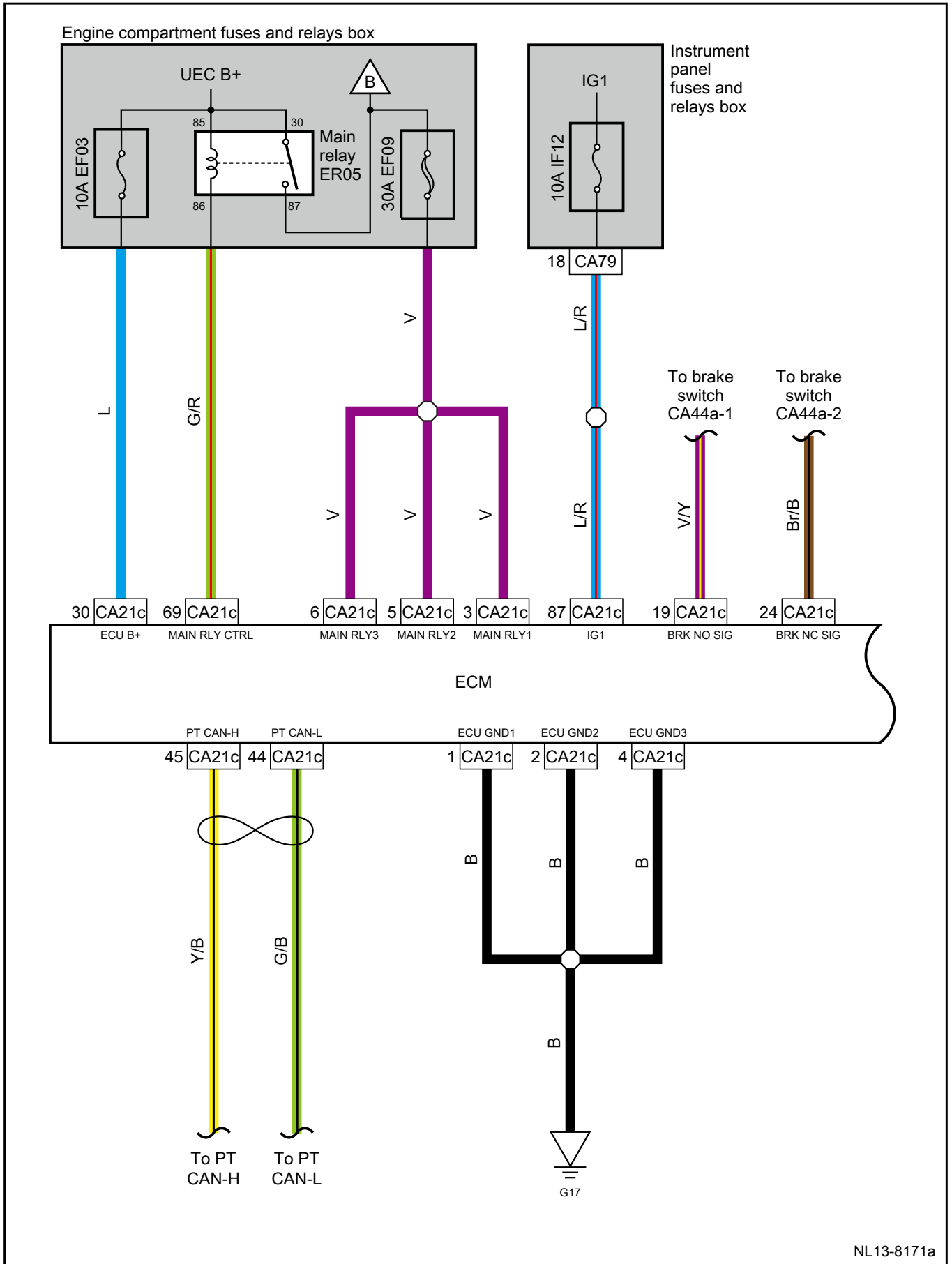


---

Harness connector	Name	Page
CA21c	Engine control module harness connector 2	29
CA30g	Cooling fan harness connector	29
CA30h	Cooling fan harness connector	29
G19	Engine compartment harness grounding	191

Join point	Explanations	Page
C	To ECM fuel injection system 1-JLH_3G15TD	260

Power supply and data(JLE\_4G18TD)

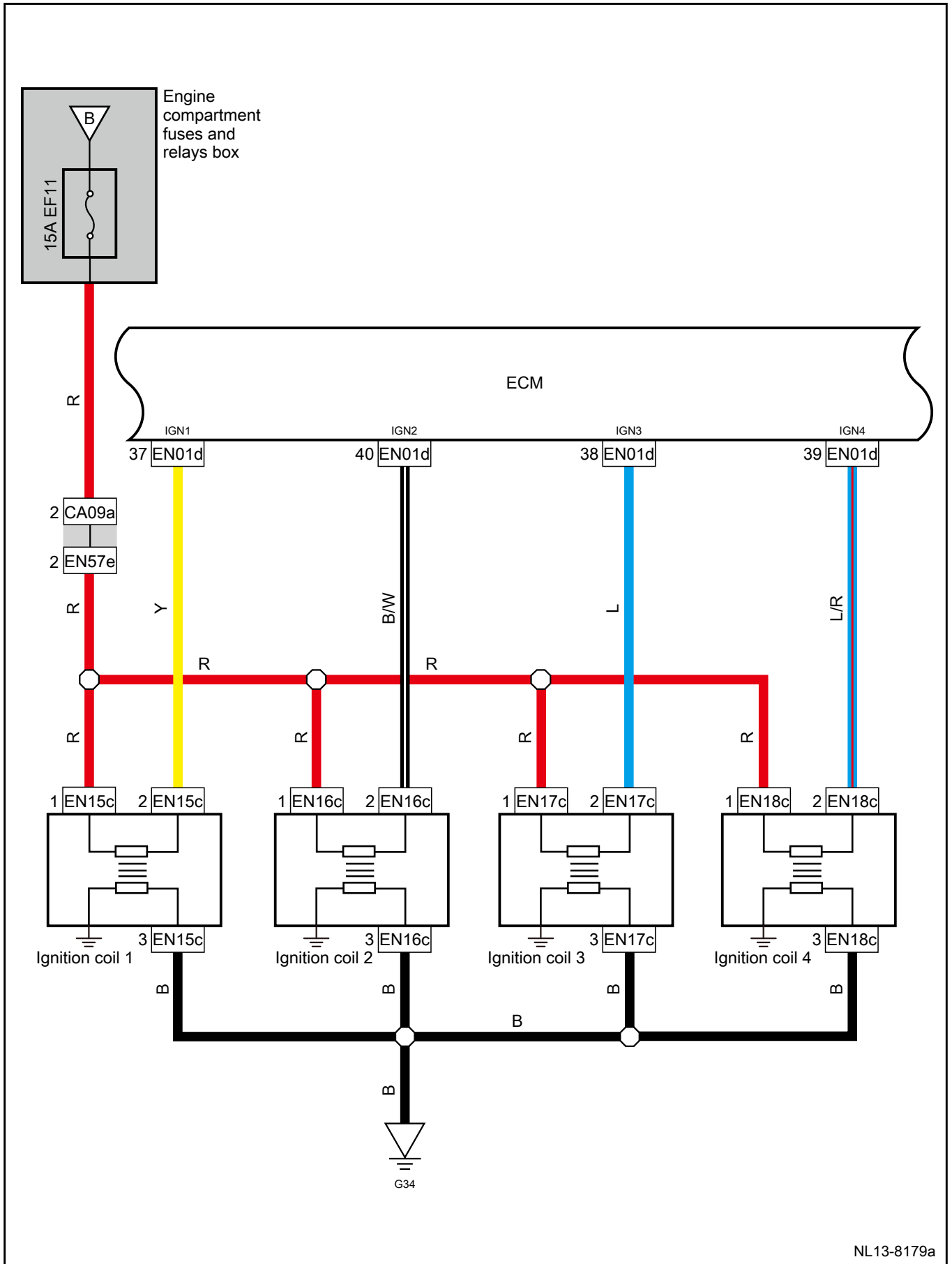


NL13-8171a

Harness connector	Name	Page
CA21c	Engine control module harness connector 2	29
CA79	Intelligent electrical junction boxes harness connector B	30
G17	Engine compartment harness grounding	191

Join point	Explanations	Page
B	To ECM ignition system(JLE_4G18TD)	280
	To ECM fuel injection system(JLE_4G18TD)	282
	To ECM device control and sensor 1(JLE_4G18TD Body harness)	284
	To ECM device control and sensor 1(JLE_4G18TD Hao body harness)	286
	To ECM device control and sensor 2(JLE_4G18TD)	288
CA21c-19	To brake switch CA44a-1	382
CA21c-24	To brake switch CA44a-2	382
CA21c-45	To PT CAN-H	588
CA21c-44	To PT CAN-L	588

Ignition system(JLE\_4G18TD)



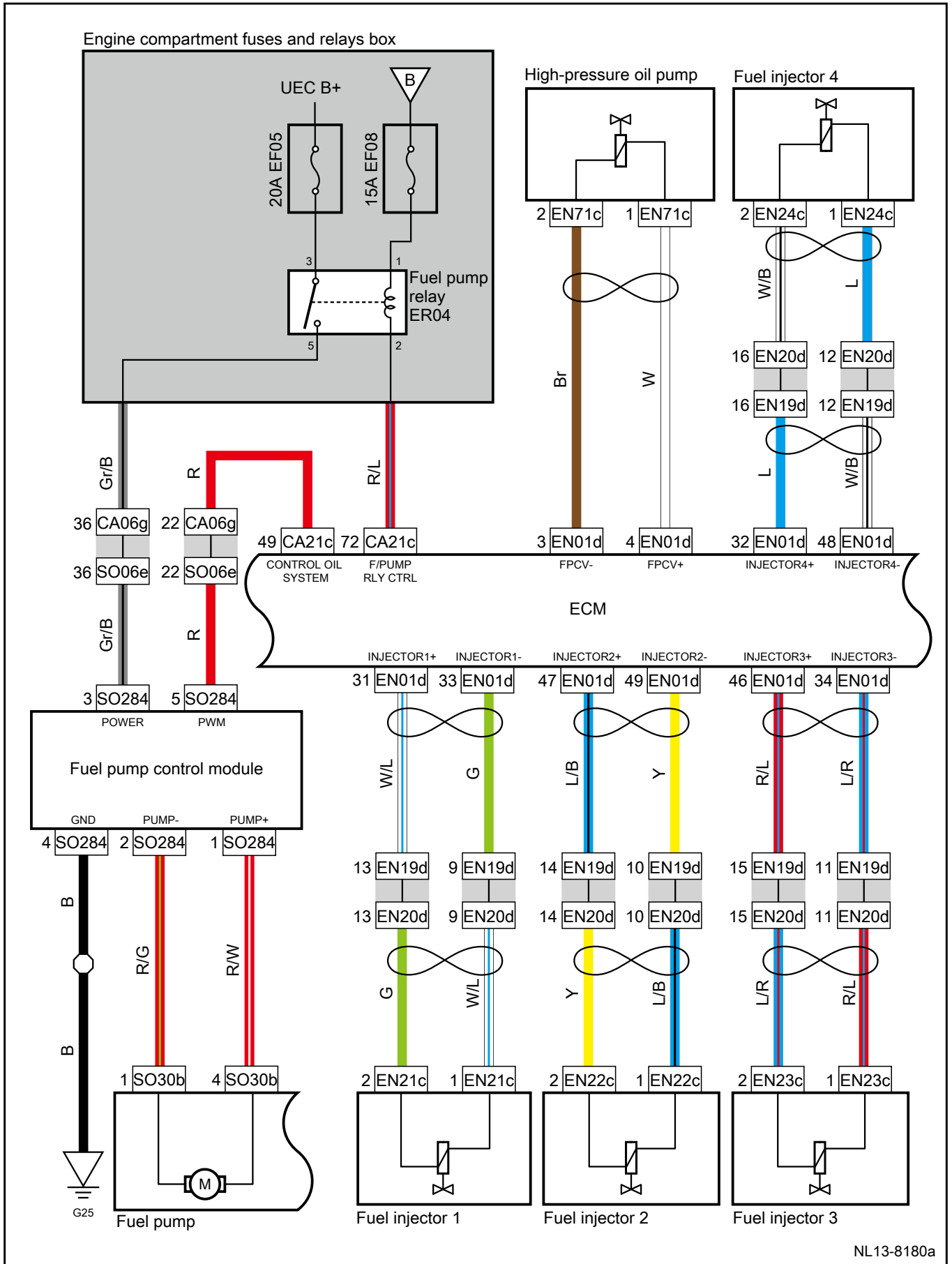
NL13-8179a

---

Harness connector	Name	Page
CA09a	Engine compartment to engine harness connector 1	29
EN01d	Engine control module 1 harness connector	65
EN15c	Ignition coil 1 harness connector	64
EN16c	Ignition coil 2 harness connector	65
EN17c	Ignition coil 3 harness connector	64
EN18c	Fuel injector 4 harness connector	64
EN57e	Engine to engine compartment harness connector 1	65
G34	Engine harness grounding	194

Join point	Explanations	Page
B	To Power supply and data-JLE_4G18TD	278

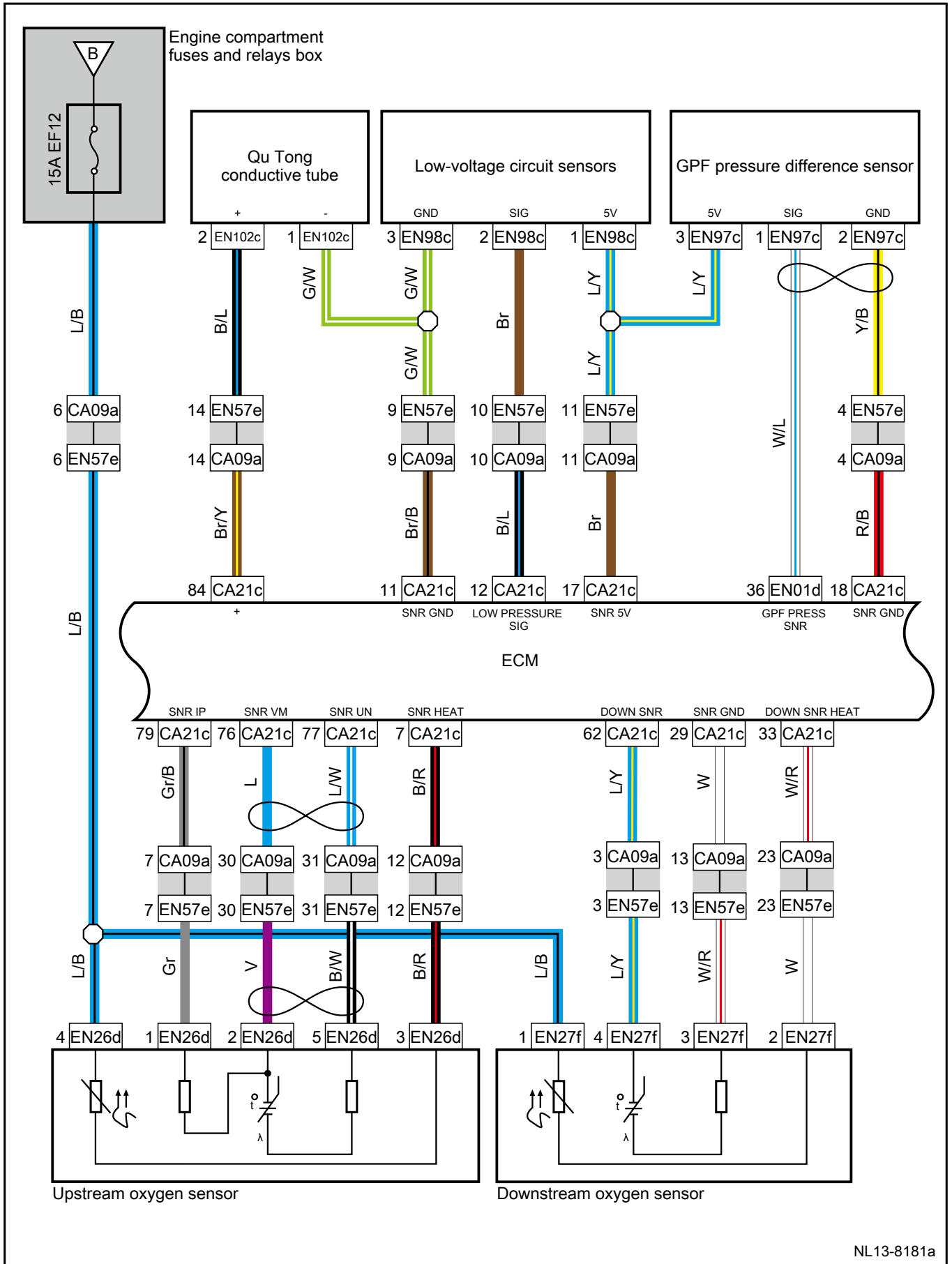
Fuel Injection System(JLE\_4G18TD)



Harness connector	Name	Page
CA06g	Engine compartment to floor harness connector	30
CA21c	Engine control module harness connector 2	29
EN01d	Engine control module 1 harness connector	65
EN19d	Engine to fuel injector harness connector	65
EN20d	Fuel injector nozzle to engine harness connector	64
EN21c	Fuel injector 1 harness connector	64
EN22c	Fuel injector 2 harness connector	64
EN23c	Fuel injector 3 harness connector	64
EN24c	Fuel injector 4 harness connector	64
EN71c	High-pressure oil pump harness connector	64
SO06e	Floor to engine compartment harness connector	123
SO30b	Fuel pump harness connector	123
SO284	Fuel pump control module harness connector	123
G25	Floor harness grounding	196

Join point	Explanations	Page
B	To Power supply and data-JLE_4G18TD	278

Sensors and actuators 1(JLE\_4G18TD Body harness)

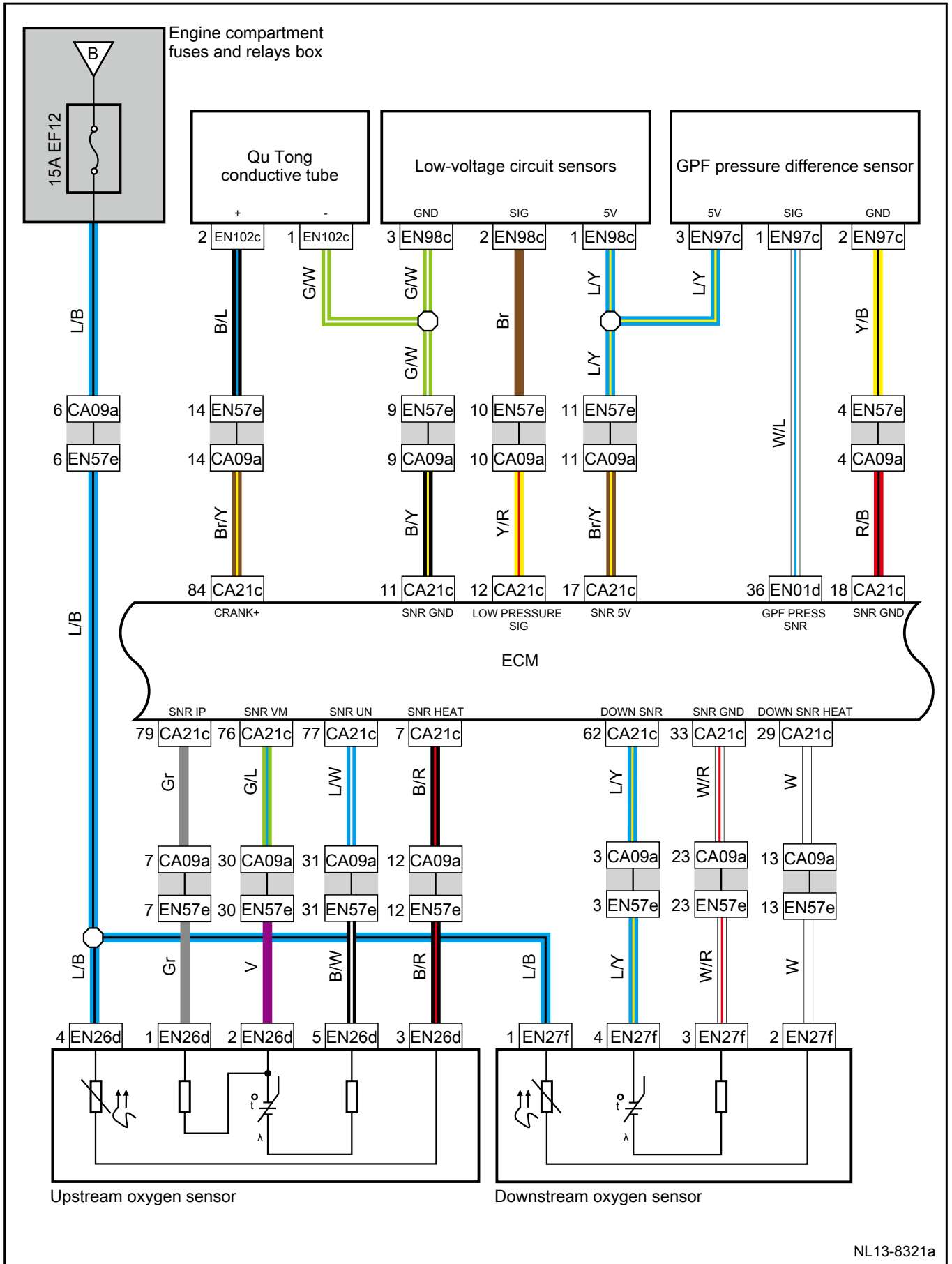


---

Harness connector	Name	Page
CA09a	Engine compartment to engine harness connector 1	29
CA21c	Engine control module harness connector 2	29
EN01d	Engine control module 1 harness connector	65
EN26d	Upstream oxygen sensor harness connector	65
EN27f	Downstream oxygen sensor harness connector	65
EN57e	Engine to engine compartment harness connector 1	65
EN97c	GPF pressure difference sensor harness connector	65
EN98c	Low-voltage circuit sensors harness connector	64
EN102c	Qu Tong conductive tube harness connector	65

Join point	Explanations	Page
B	To Power supply and data-JLE_4G18TD	278

Sensors and actuators 1(JLE\_4G18TD Hao body harness)



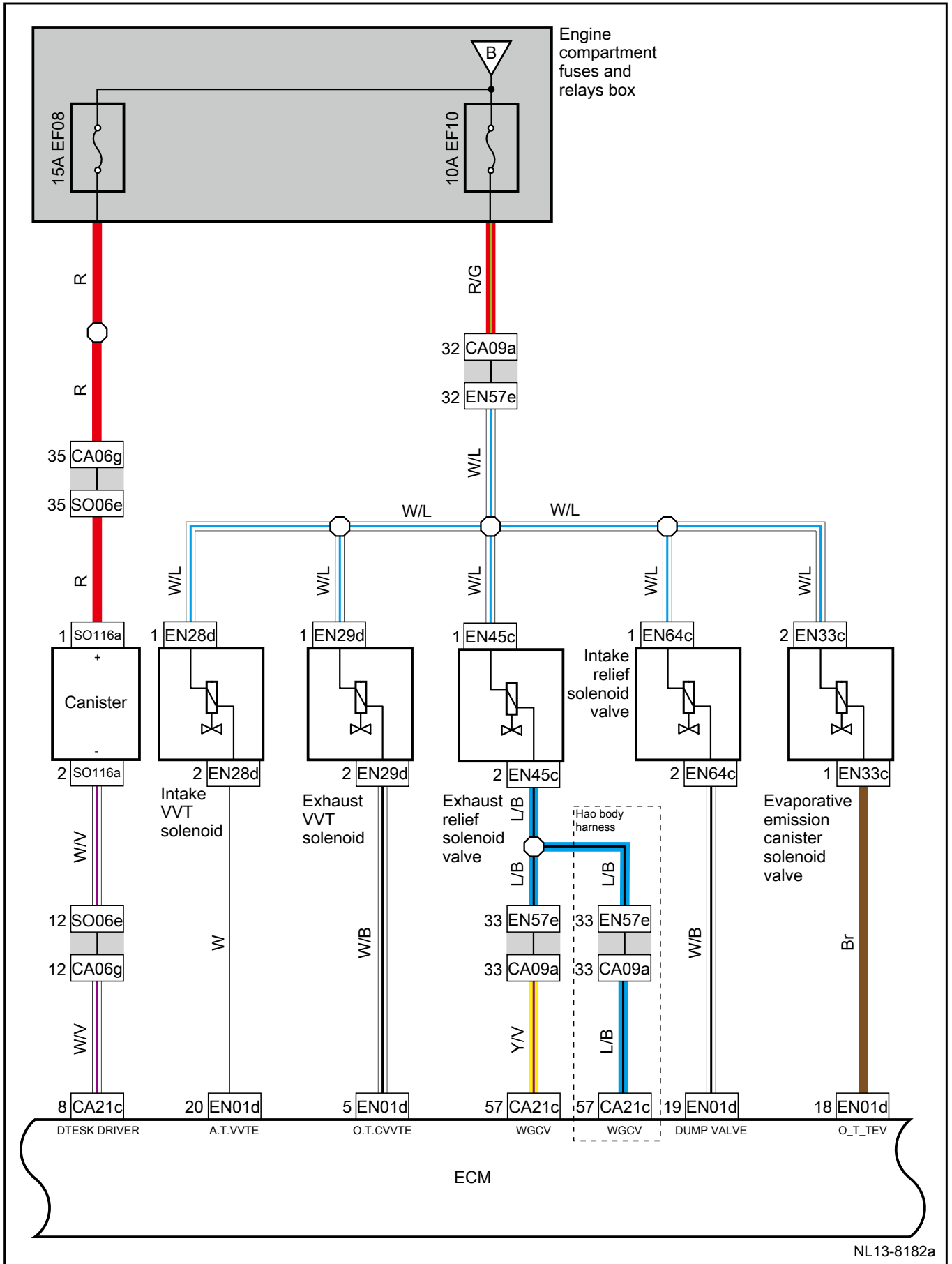
NL13-8321a

---

Harness connector	Name	Page
CA09a	Engine compartment to engine harness connector 1	29
CA21c	Engine control module harness connector 2	29
EN01d	Engine control module 1 harness connector	65
EN26d	Upstream oxygen sensor harness connector	65
EN27f	Downstream oxygen sensor harness connector	65
EN57e	Engine to engine compartment harness connector 1	65
EN97c	GPF pressure difference sensor harness connector	65
EN98c	Low-voltage circuit sensors harness connector	64
EN102c	Qu Tong conductive tube harness connector	65

Join point	Explanations	Page
B	To Power supply and data-JLE_4G18TD	278

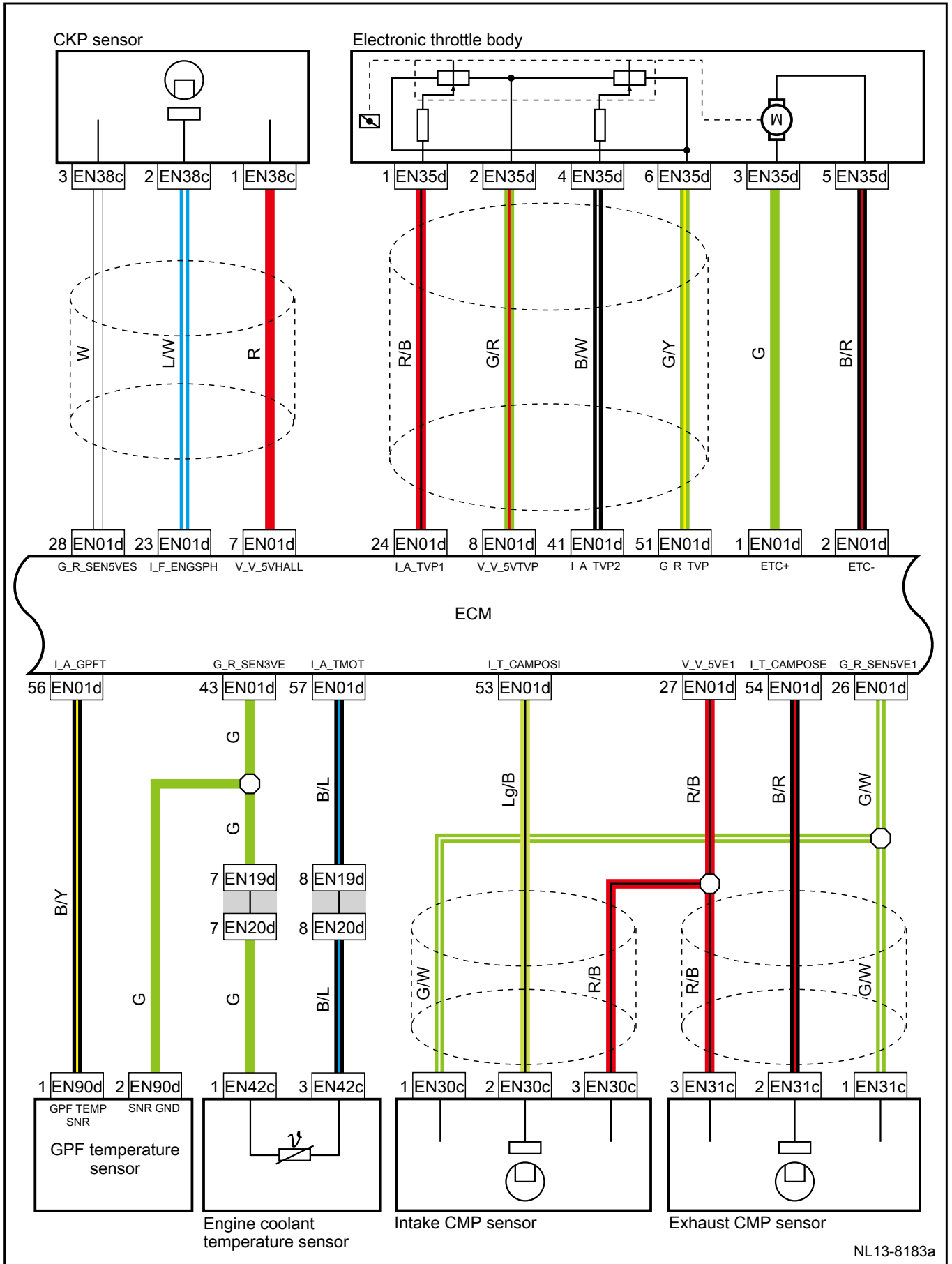
Sensors and actuators 2(JLE\_4G18TD)



Harness connector	Name	Page
CA06g	Engine compartment to floor harness connector	30
CA09a	Engine compartment to engine harness connector 1	29
CA21c	Engine control module harness connector 2	29
EN01d	Engine control module 1 harness connector	65
EN28d	Intake VVT solenoid harness connector	64
EN29d	Exhaust VVT solenoid harness connector	65
EN33c	Evaporative emission canister solenoid valve harness connector	64
EN45c	Exhaust relief solenoid valve harness connector	65
EN57e	Engine to engine compartment harness connector 1	65
EN64c	Intake relief solenoid valve harness connector	64
SO06e	Floor to engine compartment harness connector	123
SO116a	Canister harness connector	123

Join point	Explanations	Page
B	To Power supply and data-JLE_4G18TD	278

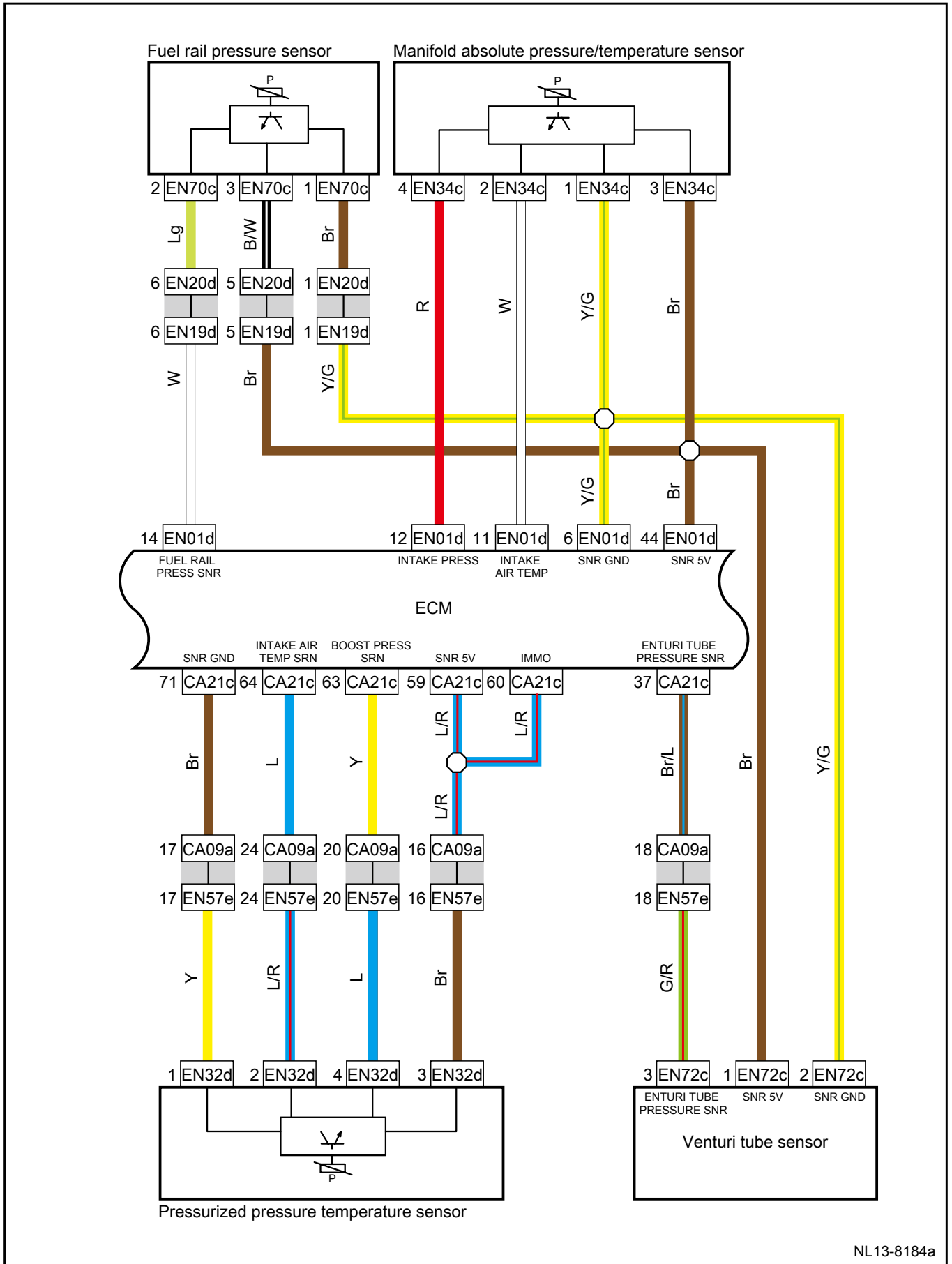
Sensors and actuators 3(JLE\_4G18TD)



---

Harness connector	Name	Page
EN01d	Engine control module 1 harness connector	65
EN19d	Engine to fuel injector harness connector	65
EN20d	Fuel injector nozzle to engine harness connector	64
EN30c	Intake camshaft position sensor harness connector	64
EN31c	Exhaust camshaft position sensor harness connector	65
EN35d	Electronic throttle body harness connector	65
EN38c	Crankshaft position sensor harness connector	65
EN42c	Engine coolant temperature sensor harness connector	64
EN90d	GPF temperature sensor harness connector	64

Sensors and actuators 4(JLE\_4G18TD Body harness)

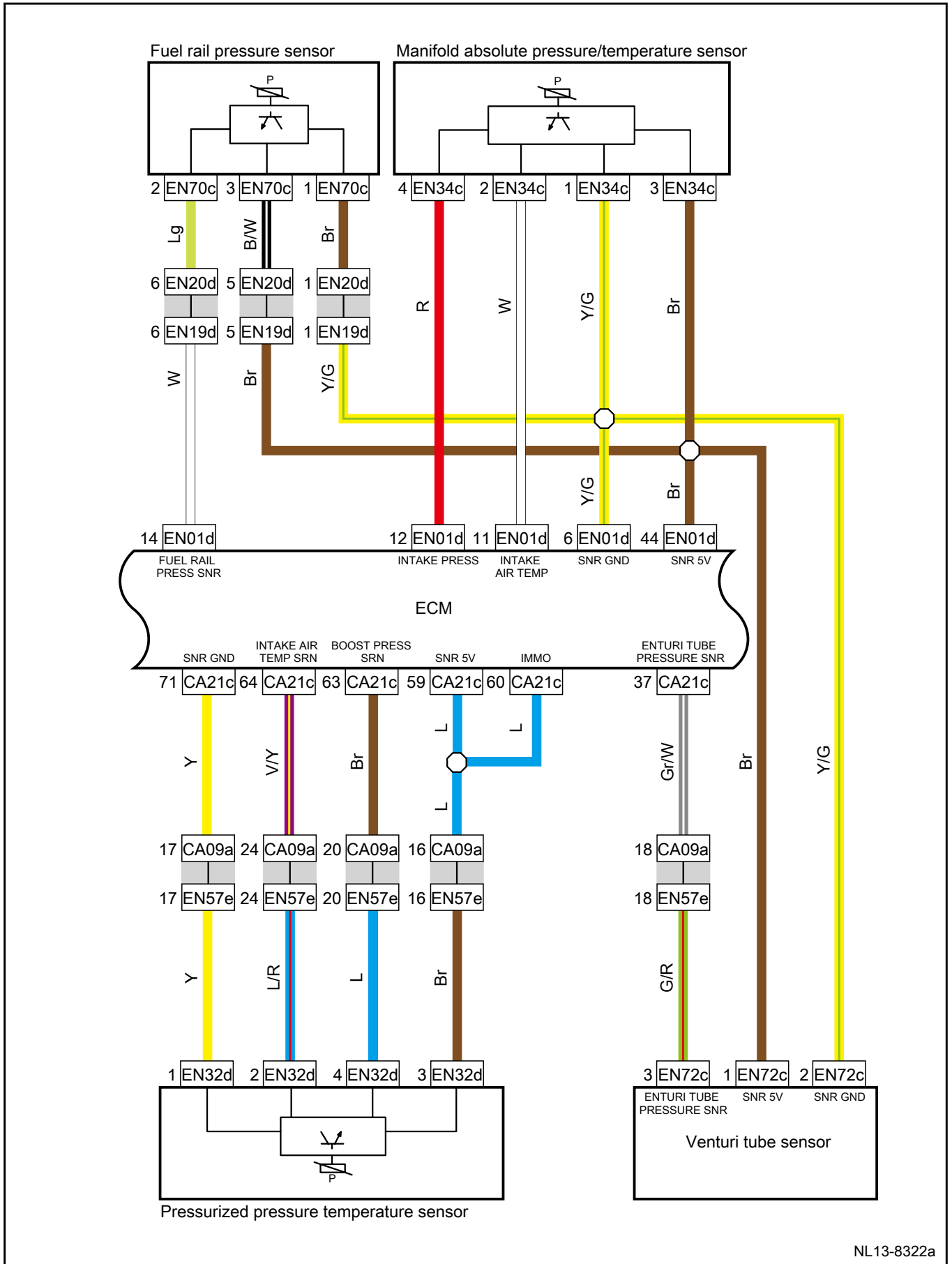


NL13-8184a

---

Harness connector	Name	Page
CA09a	Engine compartment to engine harness connector 1	29
CA21c	Engine control module harness connector 2	29
EN01d	Engine control module 1 harness connector	65
EN19d	Engine to fuel injector harness connector	65
EN20d	Fuel injector nozzle to engine harness connector	64
EN32d	Pressurized pressure temperature sensor harness connector	65
EN34c	Manifold absolute pressure/temperature sensor harness connector	64
EN57e	Engine to engine compartment harness connector 1	65
EN70c	Fuel rail pressure sensor harness connector	64
EN72c	Venturi tube sensor harness connector	65

Sensors and actuators 4(JLE\_4G18TD Hao body harness)

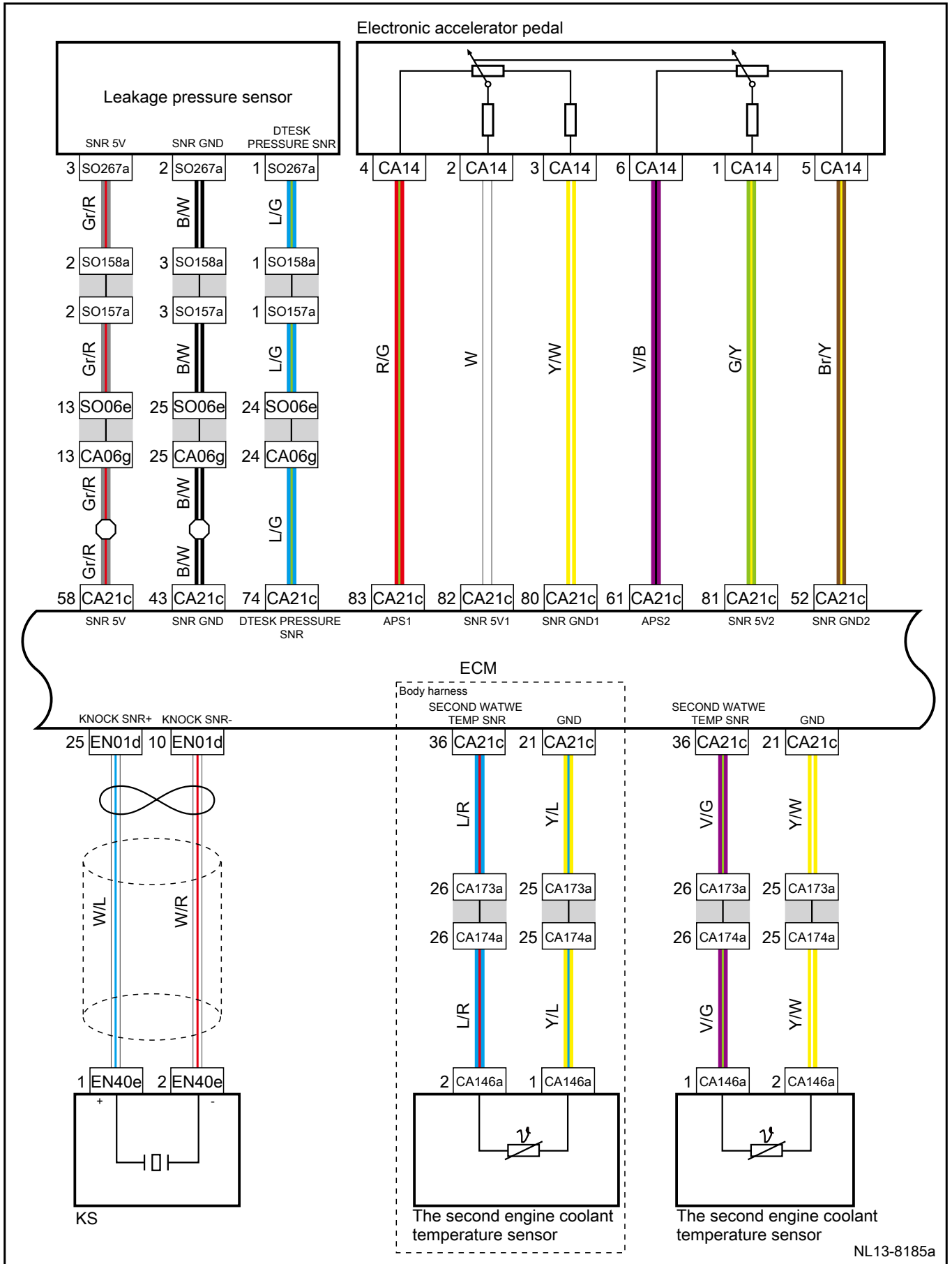


NL13-8322a

---

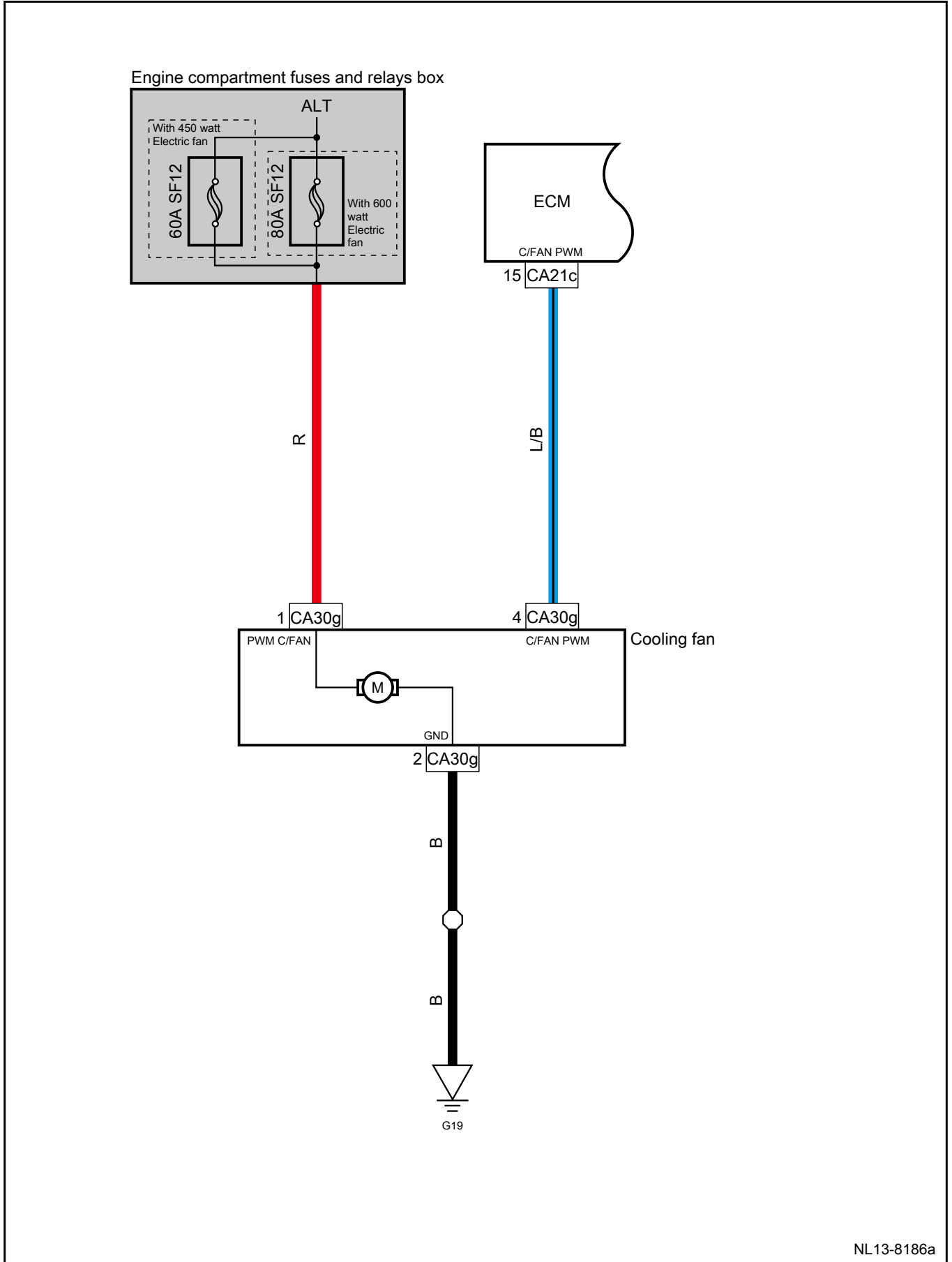
Harness connector	Name	Page
CA09a	Engine compartment to engine harness connector 1	29
CA21c	Engine control module harness connector 2	29
EN01d	Engine control module 1 harness connector	65
EN19d	Engine to fuel injector harness connector	65
EN20d	Fuel injector nozzle to engine harness connector	64
EN32d	Pressurized pressure temperature sensor harness connector	65
EN34c	Manifold absolute pressure/temperature sensor harness connector	64
EN57e	Engine to engine compartment harness connector 1	65
EN70c	Fuel rail pressure sensor harness connector	64
EN72c	Venturi tube sensor harness connector	65

Sensors and actuators 5(JLE\_4G18TD)



Harness connector	Name	Page
CA06g	Engine compartment to floor harness connector	30
CA14	Electronic accelerator pedal harness connector	29
CA21c	Engine control module harness connector 2	29
CA146a	The second engine coolant temperature sensor harness connector	29
CA173a	Engine compartment to front-end module harness connector	29
CA174a	Front-end module to engine compartment harness connector	32
EN01d	Engine control module 1 harness connector	65
EN40e	Knock sensor harness connector	64
SO06e	Floor to engine compartment harness connector	123
SO157a	Floor to transfer the fuel tank leak harness connector	123
SO158a	Transfer the fuel tank leak to floor harness connector	126
SO267a	Leakage pressure sensor harness connector	126

Cooling fan control(JLE\_4G18TD)

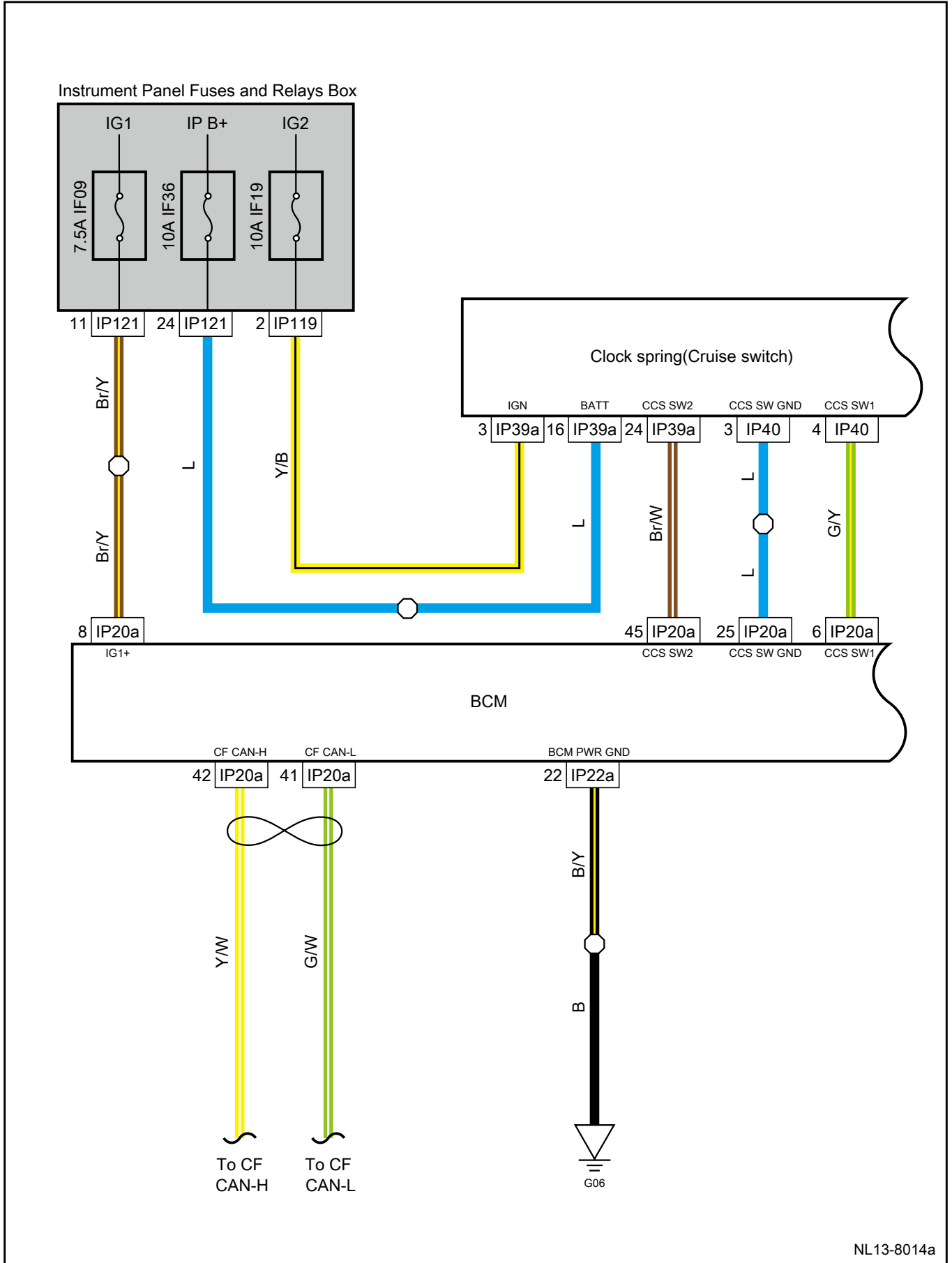


NL13-8186a

---

Harness connector	Name	Page
CA21c	Engine control module harness connector 2	29
CA30g	Cooling fan harness connector	29
G19	Engine compartment harness grounding	191

Cruise Control

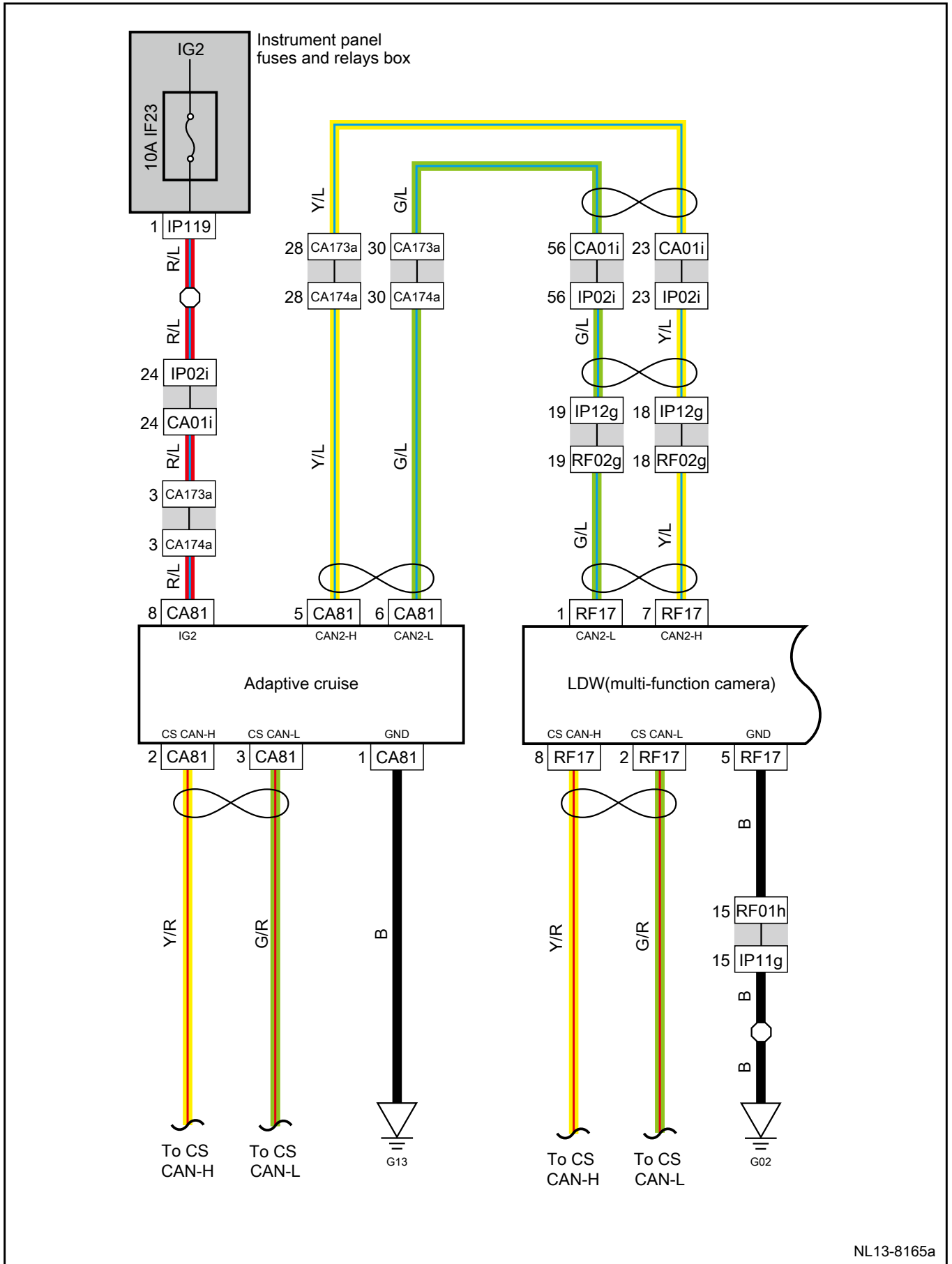


---

Harness connector	Name	Page
IP20a	Body control module harness connector 1	78
IP22a	Body control module harness connector 3	78
IP39a	Clock spring harness connector A	79
IP40	Clock spring harness connector B	80
IP119	Intelligent electrical junction boxes harness connector E	78
IP121	Intelligent electrical junction boxes harness connector G	78
G06	Instrument panel harness grounding	195

Join point	Explanations	Page
IP20a-42	To CF CAN-H	600,602
IP20a-41	To CF CAN-L	600,602

Adaptive cruise control

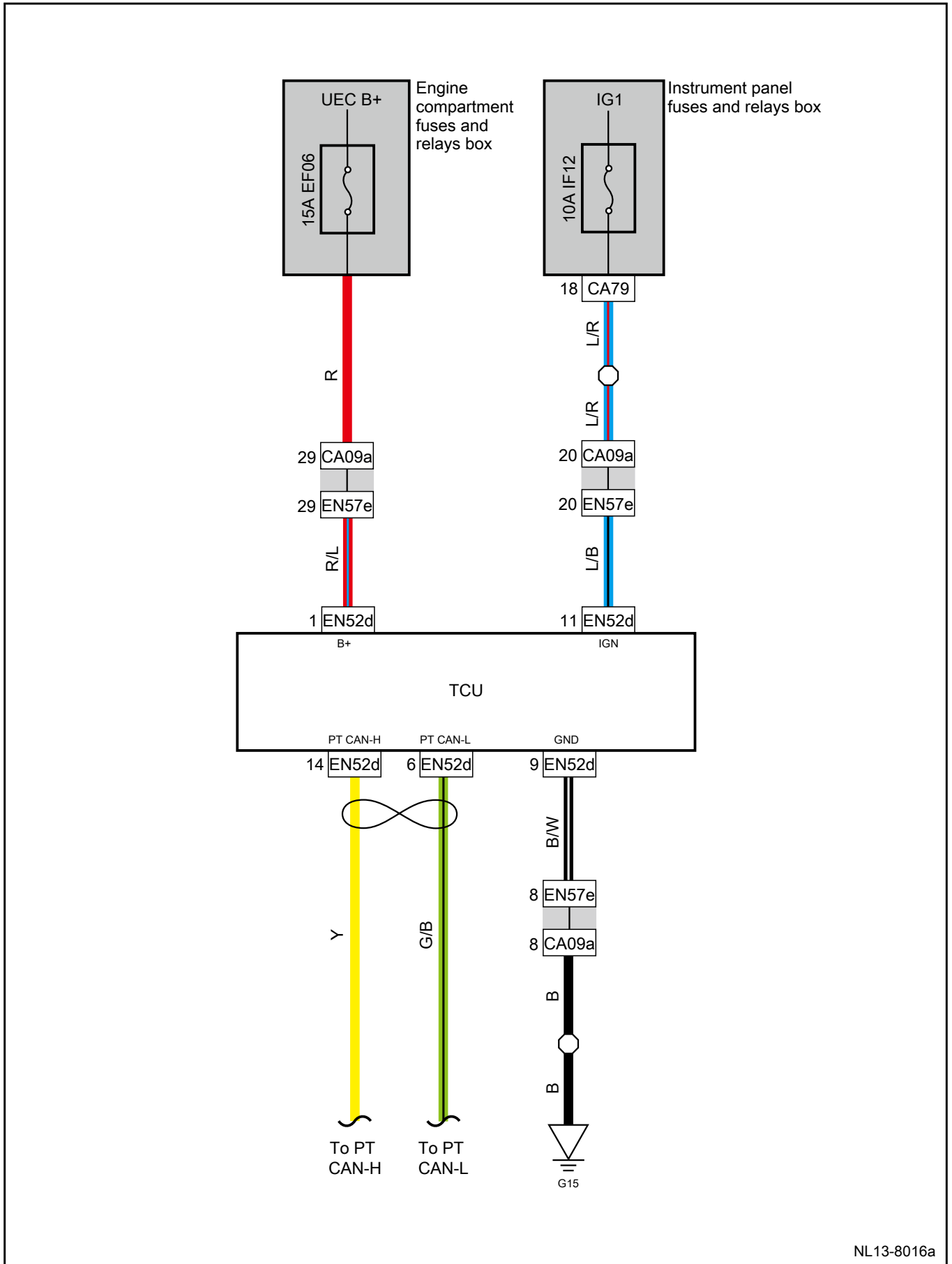


NL13-8165a

Harness connector	Name	Page
CA01i	Engine compartment to instrument panel harness connector 1	30
CA81	Adaptive cruise control harness connector	32
CA173a	Engine compartment to front-end module harness connector	29
CA174a	Front-end module to engine compartment harness connector	32
IP02i	Instrument panel to engine compartment harness connector 1	78
IP11g	Instrument panel to roof harness connector 1	80
IP12g	Instrument panel to roof harness connector 2	78
IP119	Intelligent electrical junction boxes harness connector E	78
RF01h	Roof to instrument panel harness connector 1	117
RF02g	Roof to instrument panel harness connector 2	117
RF17	LDW(multi-function camera) harness connector	117
G02	Instrument panel harness grounding	195
G13	Front-end module harness grounding	192

Join point	Explanations	Page
CA81-2	To CS CAN-H	604
CA81-3	To CS CAN-L	604
RF17-8	To CS CAN-H	608
RF17-2	To CS CAN-L	608

TCU Power supply and data(JLH\_3G15TD+6AT)



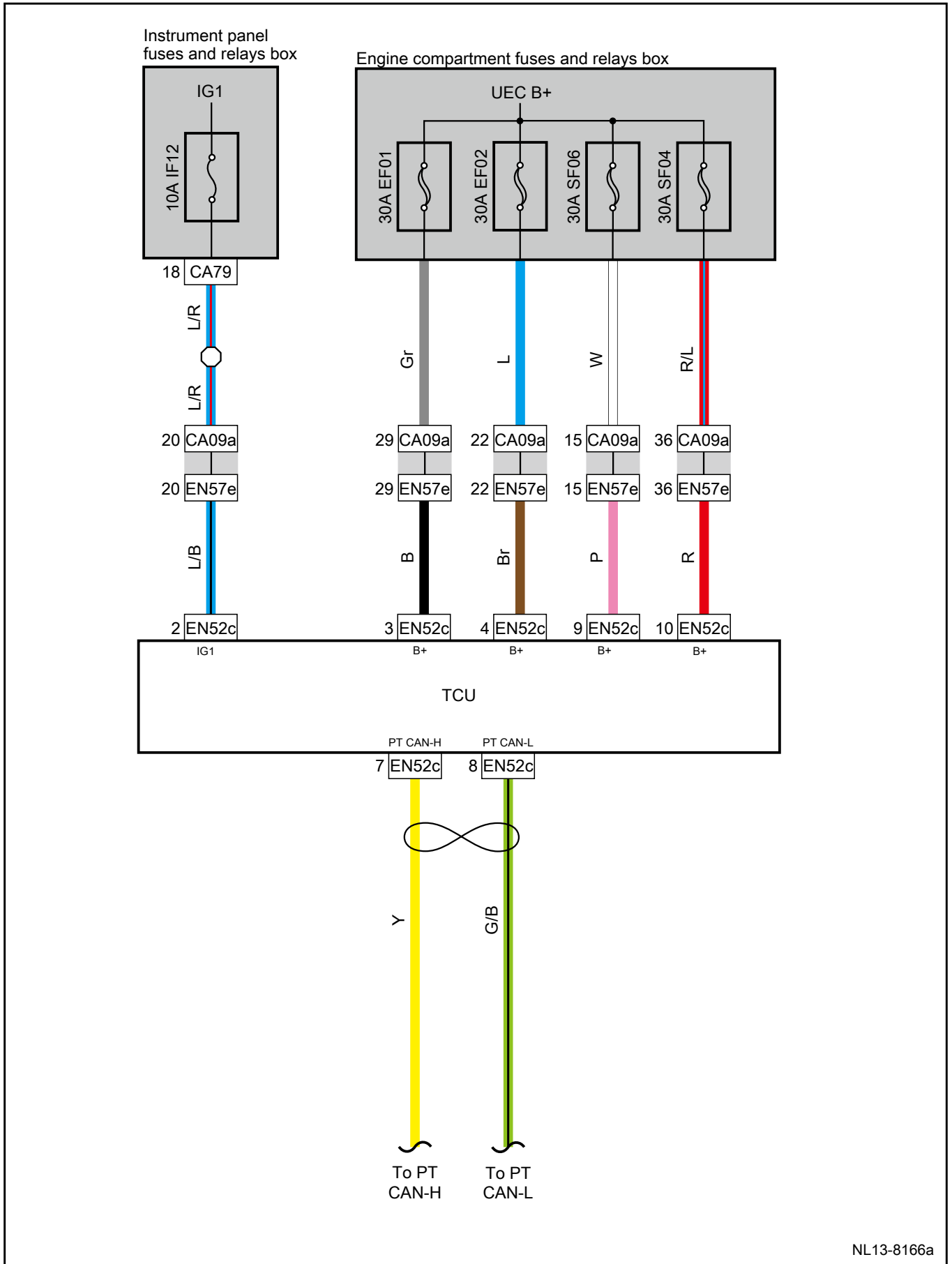
NL13-8016a

---

Harness connector	Name	Page
CA09a	Engine compartment to engine harness connector 1	29
CA79	Intelligent electrical junction boxes harness connector B	30
EN52d	TCU harness connector	50
EN57e	Engine to engine compartment harness connector 1	50
G15	Engine compartment harness grounding	191

Join point	Explanations	Page
EN52d-14	To PT CAN-H	588
EN52d-6	To PT CAN-L	588

TCU Power supply and data(JLH\_3G15TD+7DCT)



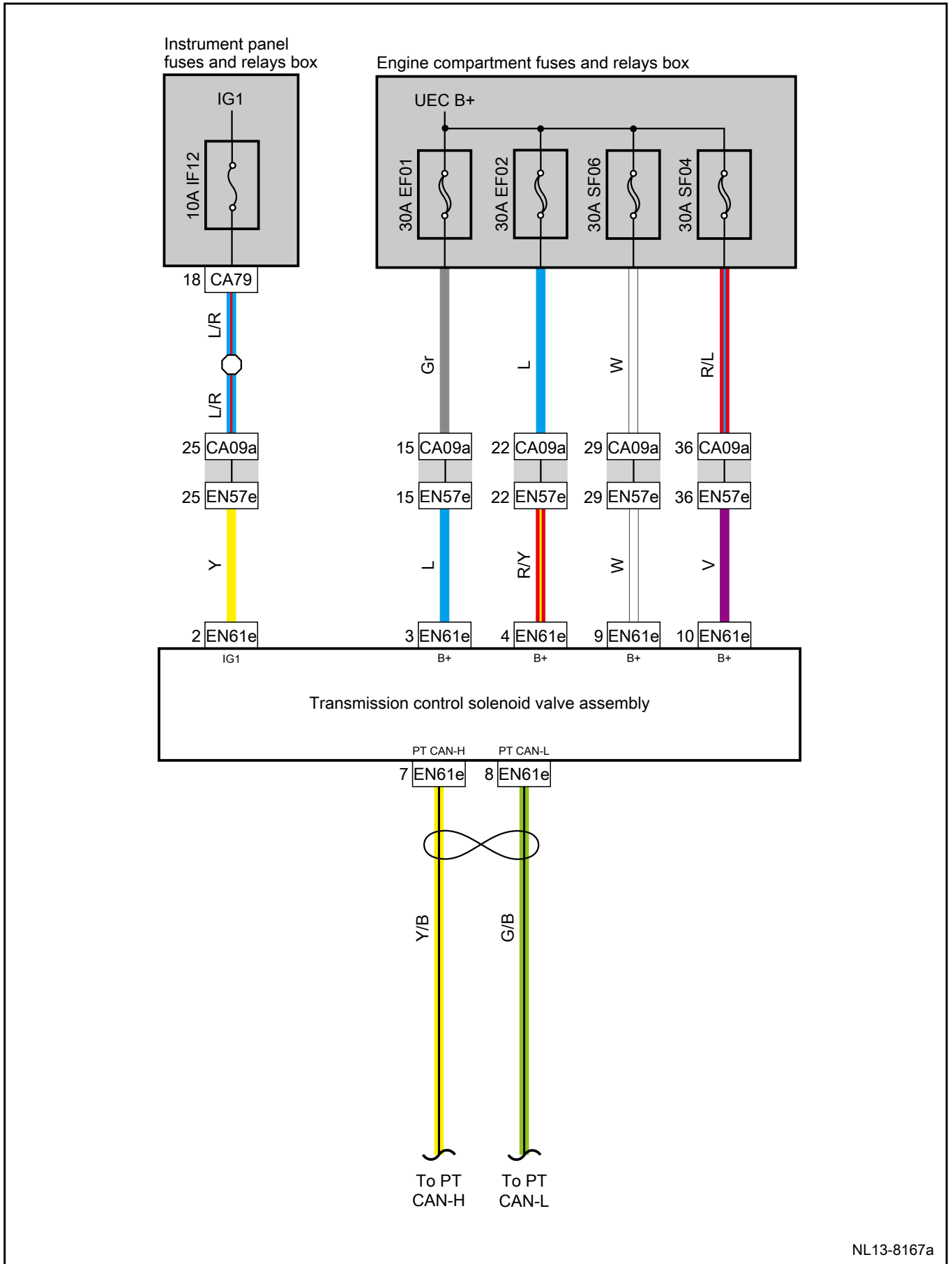
NL13-8166a

---

Harness connector	Name	Page
CA09a	Engine compartment to engine harness connector 1	29
CA79	Intelligent electrical junction boxes harness connector B	30
EN52c	TCU harness connector	49
EN57e	Engine to engine compartment harness connector 1	50

Join point	Explanations	Page
EN52c-7	To PT CAN-H	588
EN52c-8	To PT CAN-L	588

TCU Power supply and data(JLE\_4G18TD+7DCT)



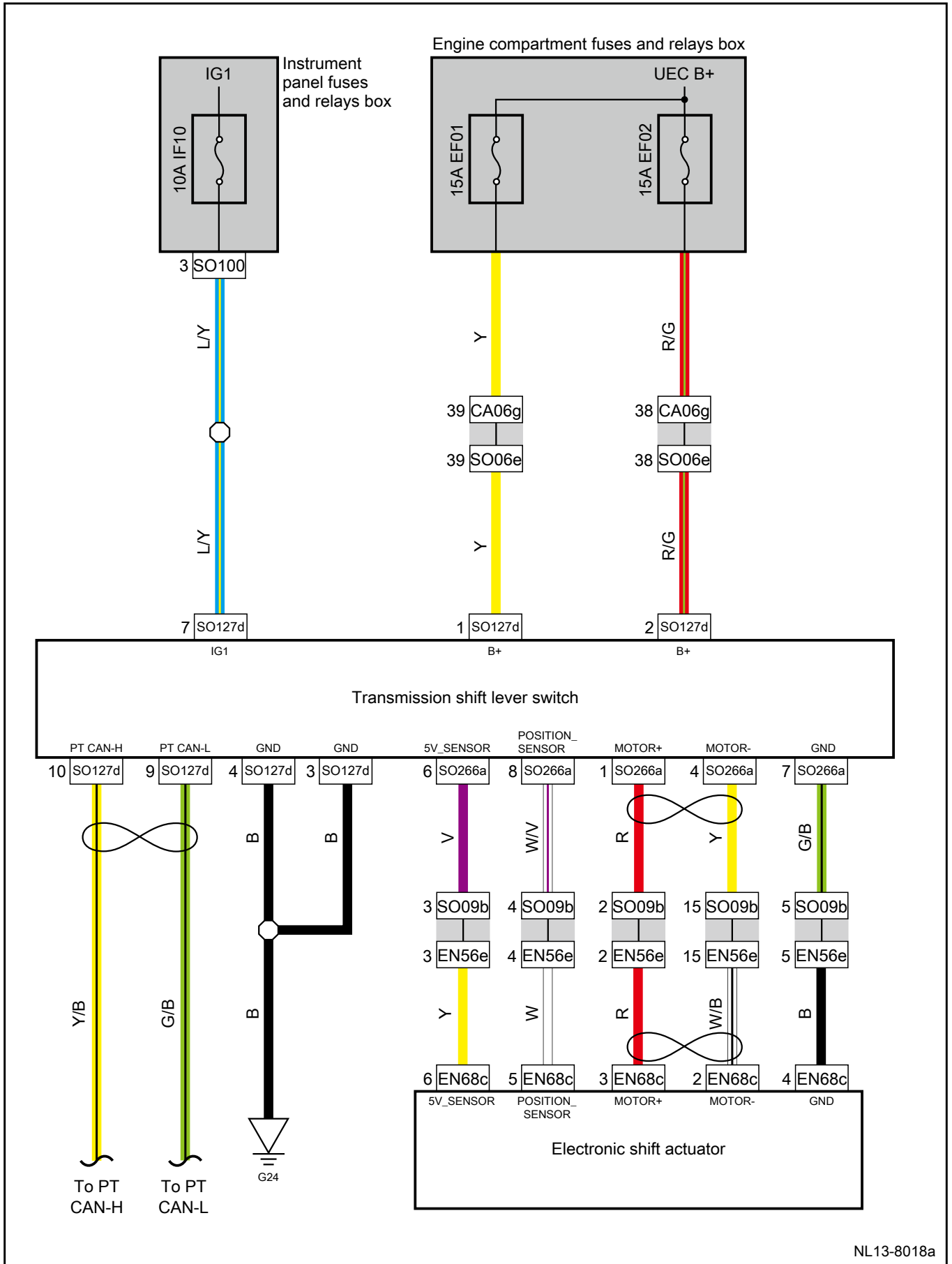
NL13-8167a

---

Harness connector	Name	Page
CA09a	Engine compartment to engine harness connector 1	29
CA79	Intelligent electrical junction boxes harness connector B	30
EN57e	Engine to engine compartment harness connector 1	65
EN61e	To automatic transmission control valve assembly harness connector	65

Join point	Explanations	Page
EN61e-7	To PT CAN-H	588
EN61e-8	To PT CAN-L	588

Transmission shift lever switch(JLH\_3G15TD+6AT)



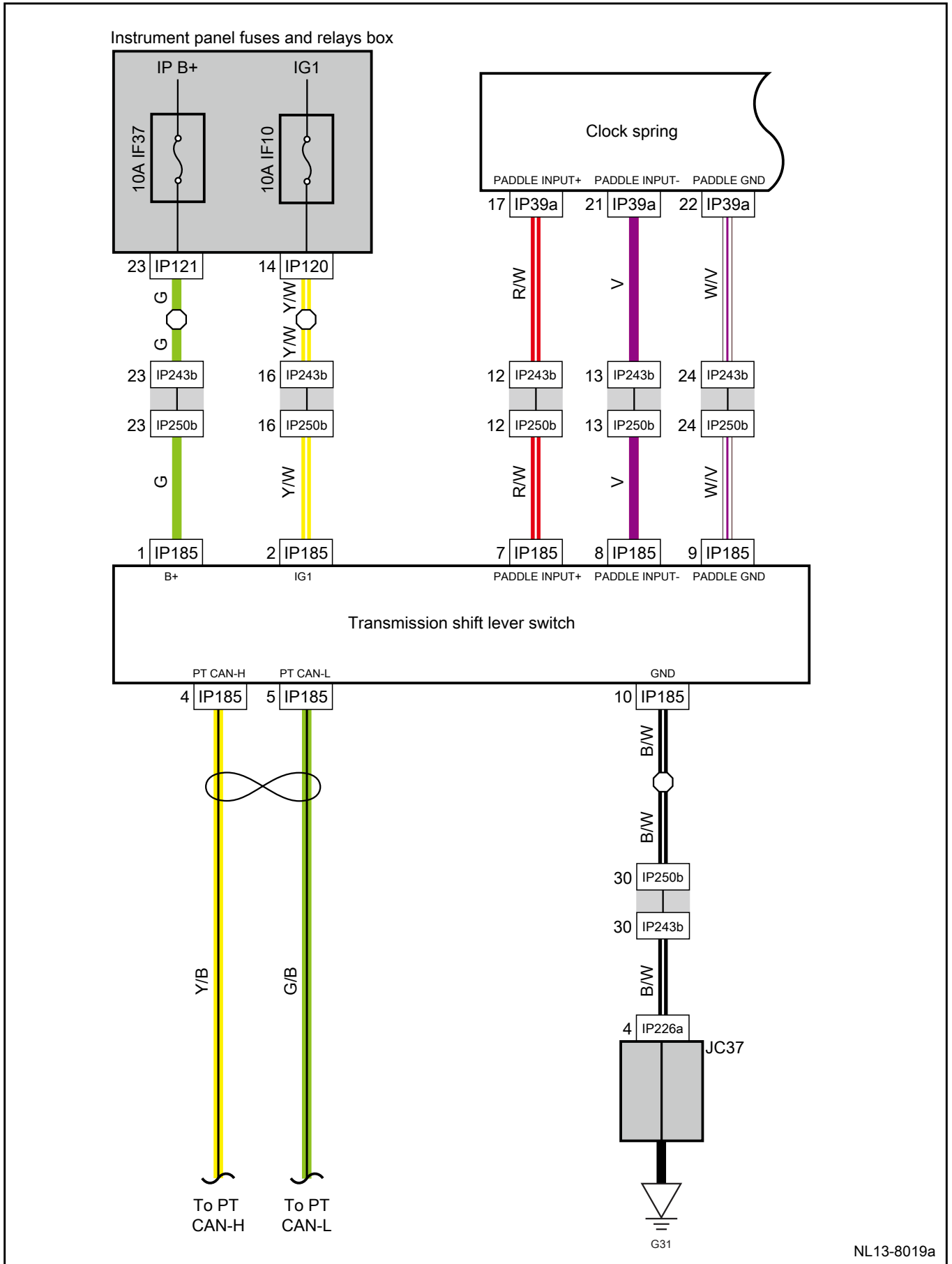
NL13-8018a

---

Harness connector	Name	Page
CA06g	Engine compartment to floor harness connector	30
EN56e	Engine to floor harness connector	49
EN68c	Electronic shift actuator harness connector	50
SO06e	Floor to engine compartment harness connector	123
SO09b	Floor to engine harness connector	124
SO100	Intelligent electrical junction boxes harness connector C	123
SO127d	Transmission shift lever switch harness connector 1	124
SO266a	Transmission shift lever switch harness connector 2	124
G24	Floor harness grounding	196

Join point	Explanations	Page
SO127d-10	To PT CAN-H	586
SO127d-9	To PT CAN-L	586

Transmission shift lever switch(7DCT)



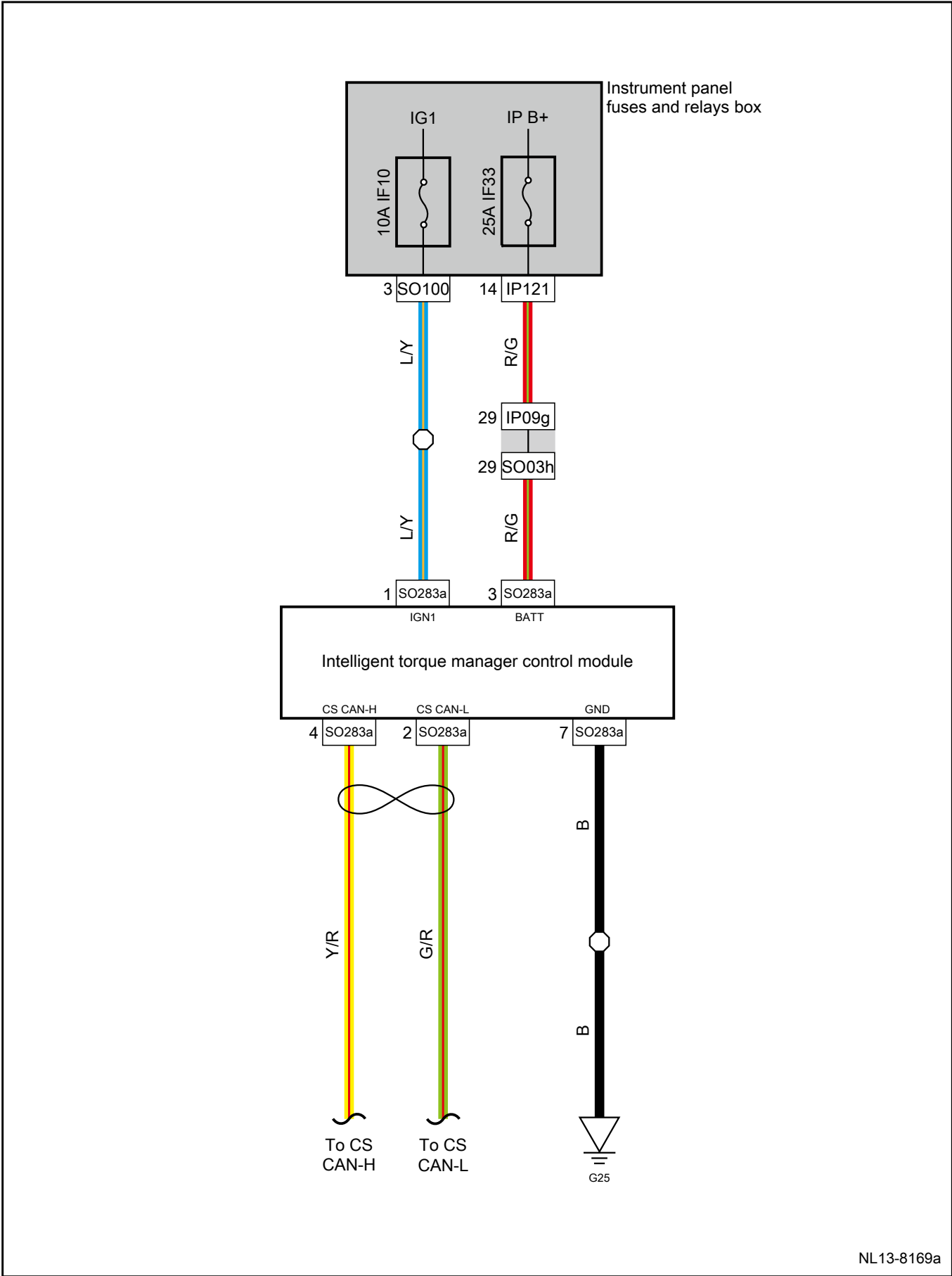
NL13-8019a

---

Harness connector	Name	Page
IP39a	Clock spring harness connector A	79
IP120	Intelligent electrical junction boxes harness connector F	78
IP121	Intelligent electrical junction boxes harness connector G	78
IP185	Transmission shift lever switch harness connector	82
IP226a	JC37 harness connector	78
IP243b	Instrument panel to Instrument-wire harness connector	78
IP250b	Instrument-wire to Instrument panel harness connector	82
G31	Instrument panel harness grounding	195

Join point	Explanations	Page
IP185-4	To PT CAN-H	586
IP185-5	To PT CAN-L	586

4WD Control



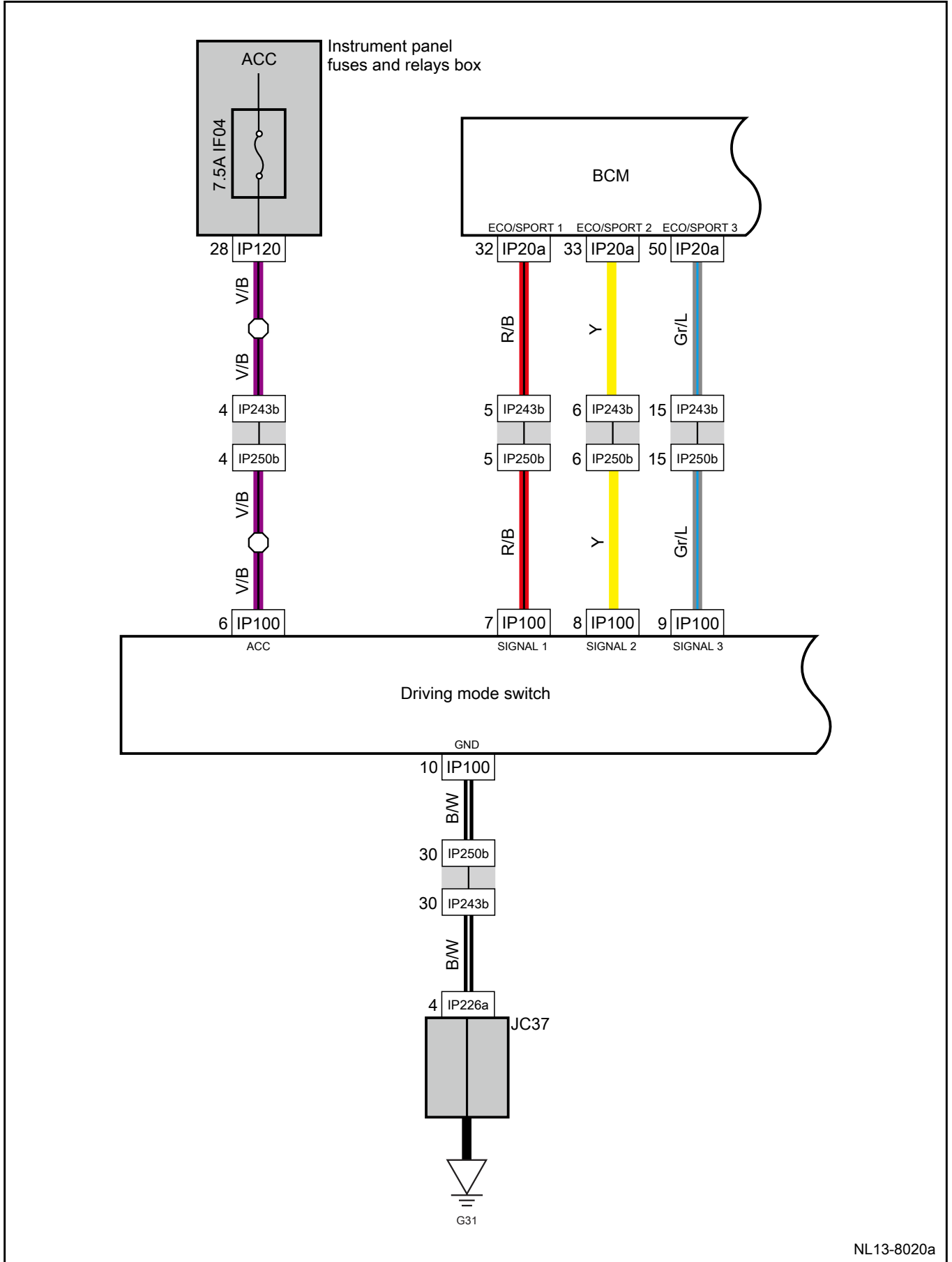
NL13-8169a

---

Harness connector	Name	Page
IP09g	Instrument panel to floor harness connector 3	80
IP121	Intelligent electrical junction boxes harness connector G	78
SO03h	Floor to instrument panel harness connector 3	124
SO100	Intelligent electrical junction boxes harness connector C	123
SO283a	Intelligent Torque Manager Control Module harness connector	123
G25	Floor harness grounding	196

Join point	Explanations	Page
SO283a-4	To CS CAN-H	606
SO283a-2	To CS CAN-L	606

Driving mode switch

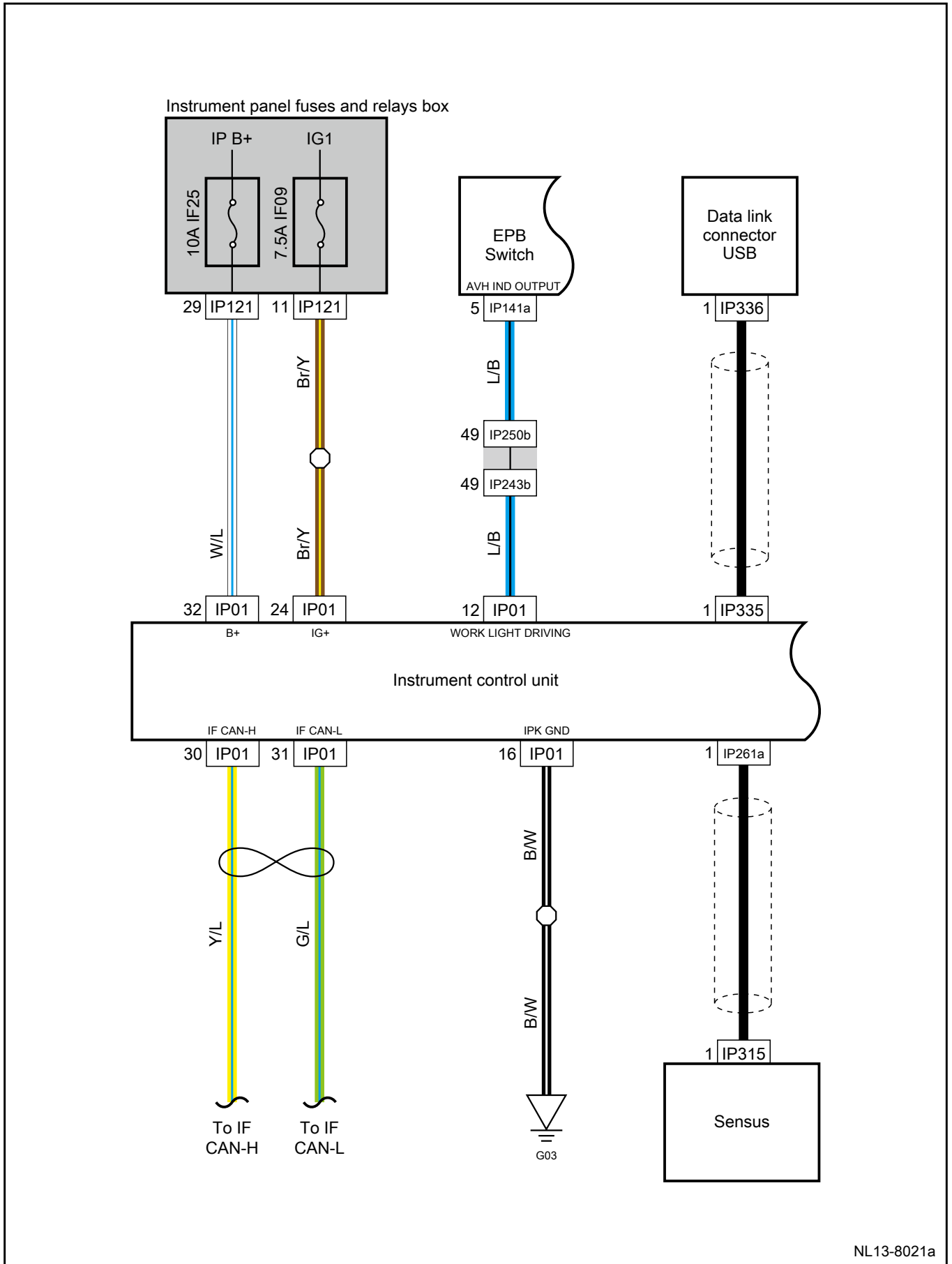


NL13-8020a

---

Harness connector	Name	Page
IP20a	Body control module harness connector 1	78
IP100	Driving mode switch harness connector	80
IP120	Intelligent electrical junction boxes harness connector F	78
IP226a	JC37 harness connector	78
IP243b	Instrument panel to Instrument-wire harness connector	78
IP250b	Instrument-wire to Instrument panel harness connector	82
G31	Instrument panel harness grounding	195

Power supply and data

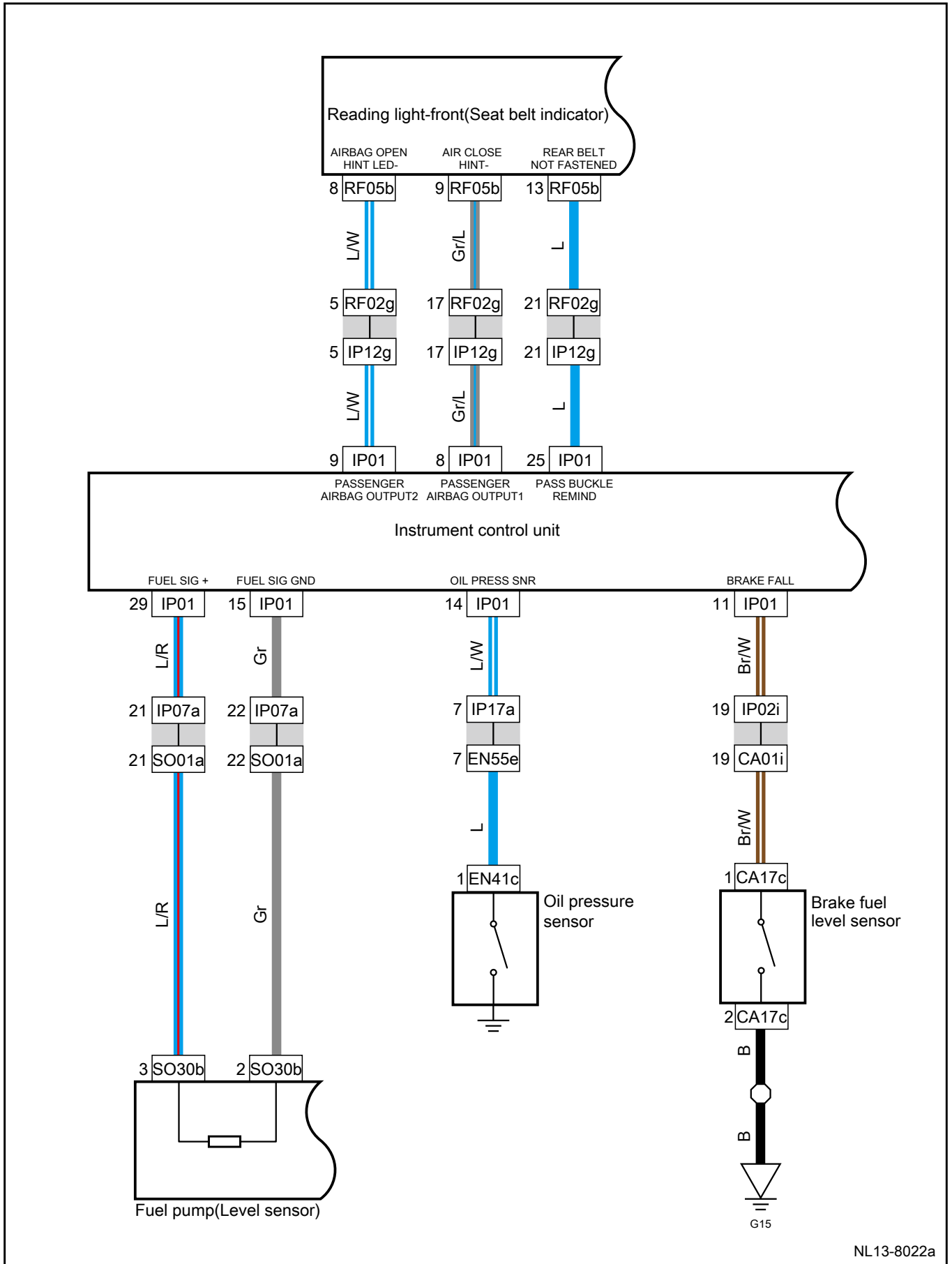


NL13-8021a

Harness connector	Name	Page
IP01	Instrument control unit harness connector	78
IP121	Intelligent electrical junction boxes harness connector G	78
IP141a	EPB switch harness connector	82
IP243b	Instrument panel to Instrument-wire harness connector	78
IP250b	Instrument-wire to Instrument panel harness connector	82
IP261a	Instrument control unit harness connector 2	81
IP315	Sensus harness connector 10	81
IP335	Instrument control unit USB harness connector	81
IP336	Data link connector USB harness connector	81
G03	Instrument panel harness grounding	195

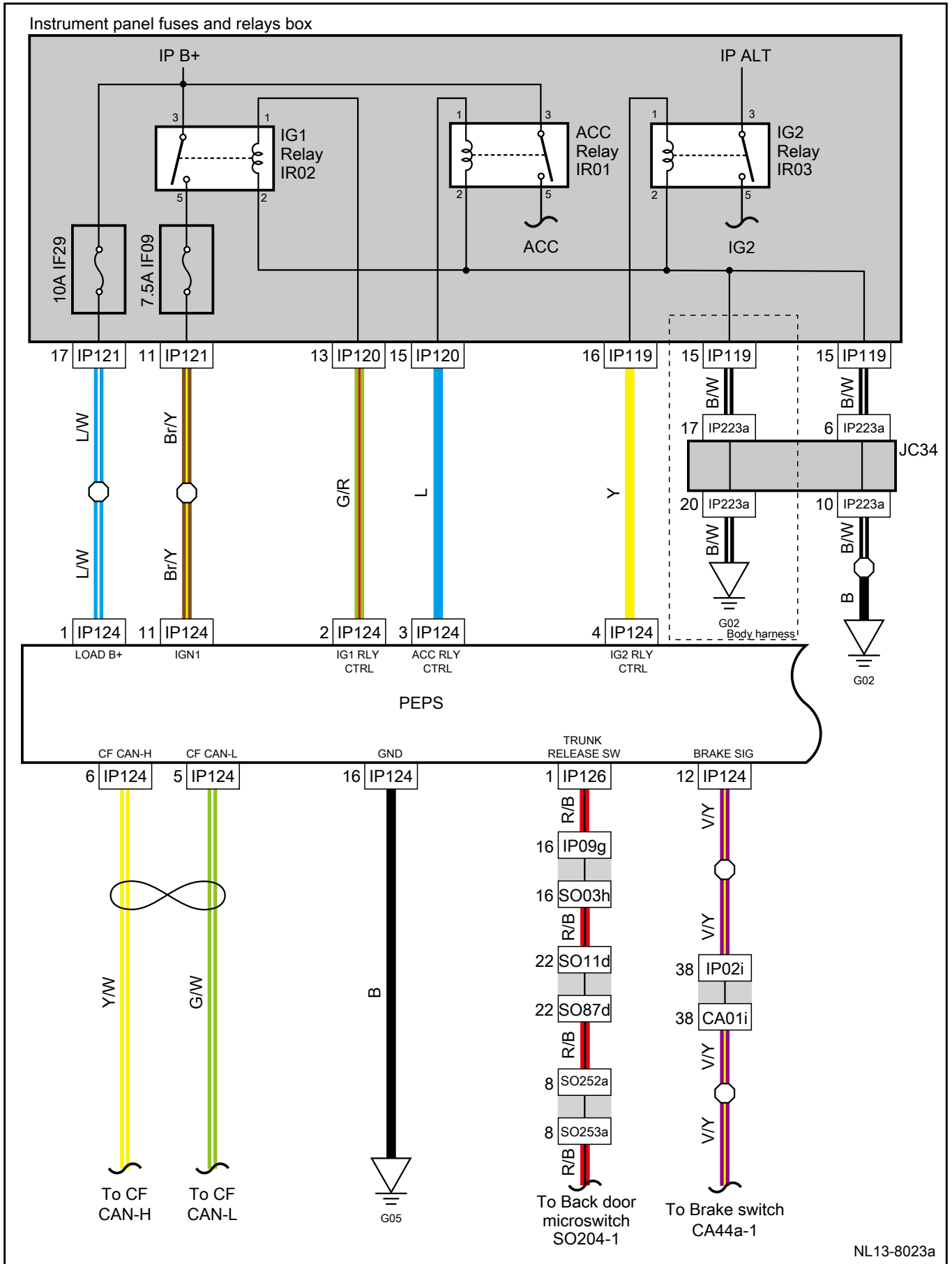
Join point	Explanations	Page
IP01-30	To IF CAN-H	592,594
IP01-31	To IF CAN-L	592,594

Indicator, illuminator



Harness connector	Name	Page
CA01i	Engine compartment to instrument panel harness connector 1	30
CA17c	Brake fuel level sensor harness connector	29
EN41c	Oil pressure sensor harness connector	65
EN55e	Engine to Instrument panel harness connector	65
IP01	Instrument control unit harness connector	78
IP02i	Instrument panel to engine compartment harness connector 1	78
IP07a	Instrument panel to floor harness connector 1	78
IP12g	Instrument panel to roof harness connector 2	78
IP17a	Instrument panel to engine harness connector	79
RF02g	Roof to instrument panel harness connector 2	117
RF05b	Front reading light harness connector	117
SO01a	Floor to instrument panel harness connector 1	123
SO30b	Fuel pump harness connector	123
G15	Engine compartment harness grounding	191

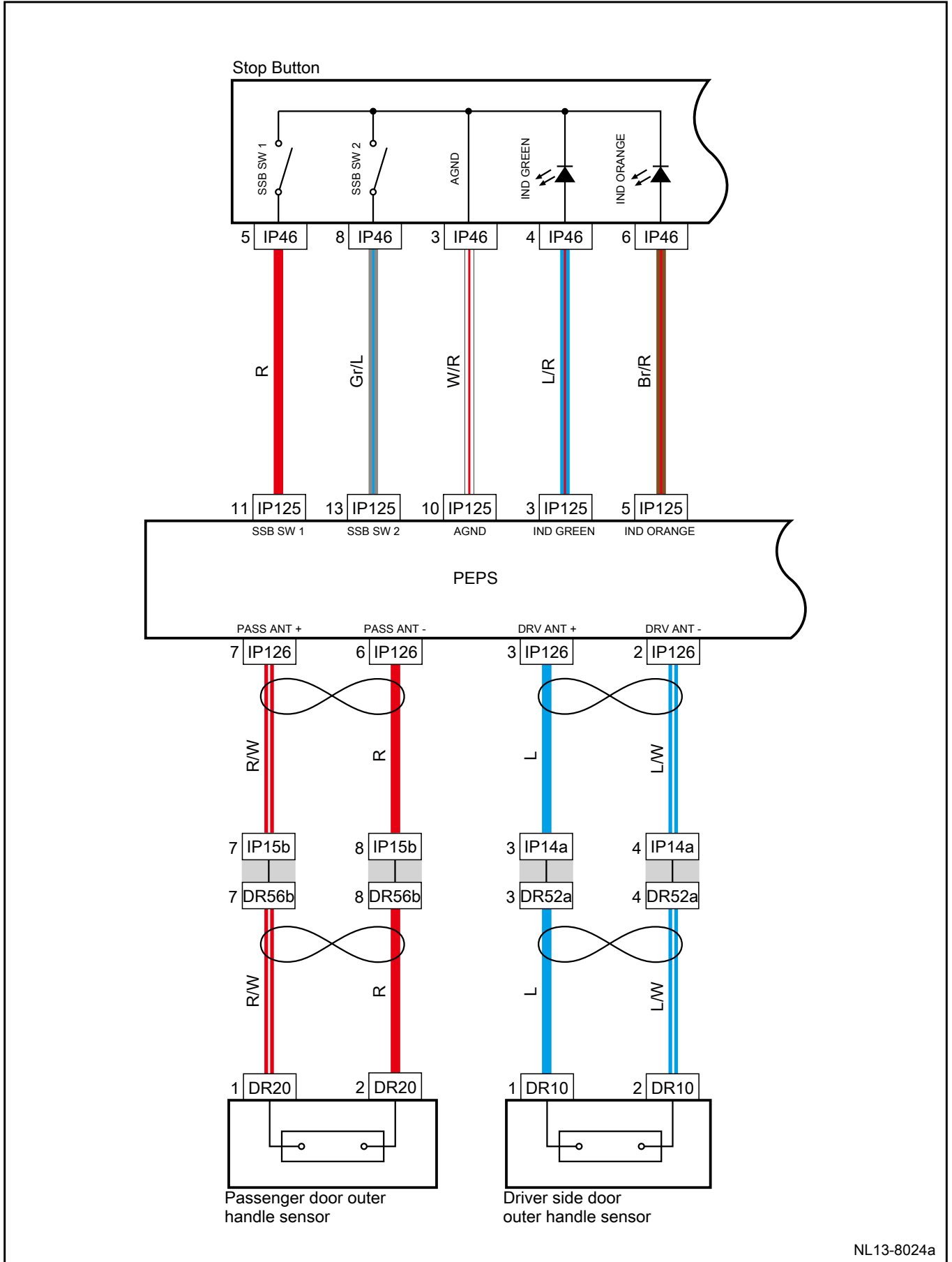
Power supply and data



Harness connector	Name	Page
CA01i	Engine compartment to instrument panel harness connector 1	30
IP02i	Instrument panel to engine compartment harness connector 1	78
IP09g	Instrument panel to floor harness connector 3	80
IP119	Intelligent electrical junction boxes harness connector E	78
IP120	Intelligent electrical junction boxes harness connector F	78
IP121	Intelligent electrical junction boxes harness connector G	78
IP124	Passive entry passive start control module harness connector 1	80
IP126	Passive entry passive start control module harness connector 3	80
IP223a	JC34 harness connector	78
SO03h	Floor to instrument panel harness connector 3	124
SO11d	Floor to trunk door harness connector A	124
SO87d	Trunk door to floor harness connector A	126
SO252a	Trunk door to license light plate harness connector	126
SO253a	License light plate to trunk door harness connector	128
G02	Instrument panel harness grounding	195
G05	Instrument panel harness grounding	195

Join point	Explanations	Page
IP124-6	To CF CAN-H	596,598
IP124-5	To CF CAN-L	596,598
IP124-12	To brake switch CA44a-1	382
IP126-1	To Back door microswitch SO204-1	424

Sensors and actuators 1

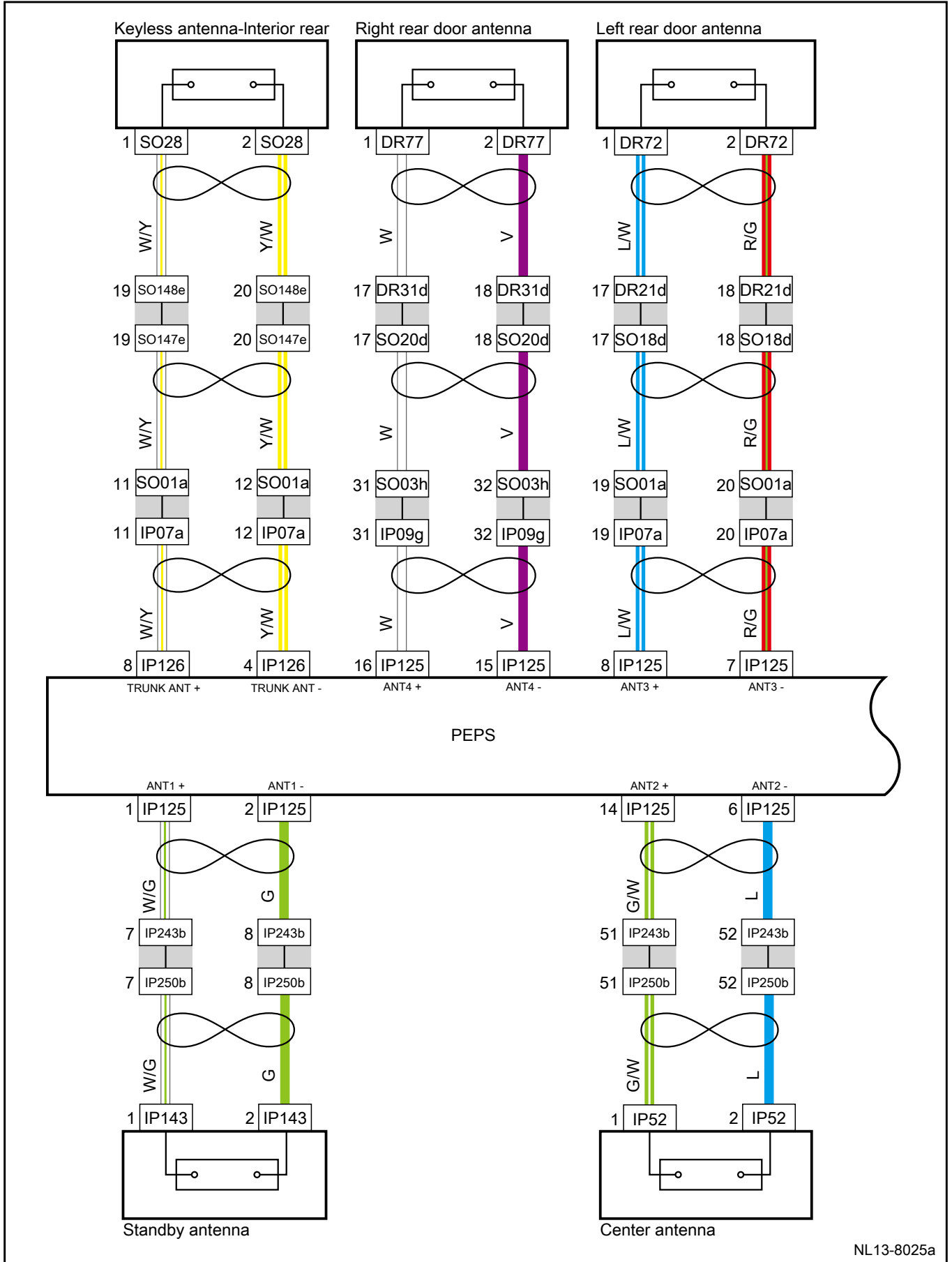


NL13-8024a

---

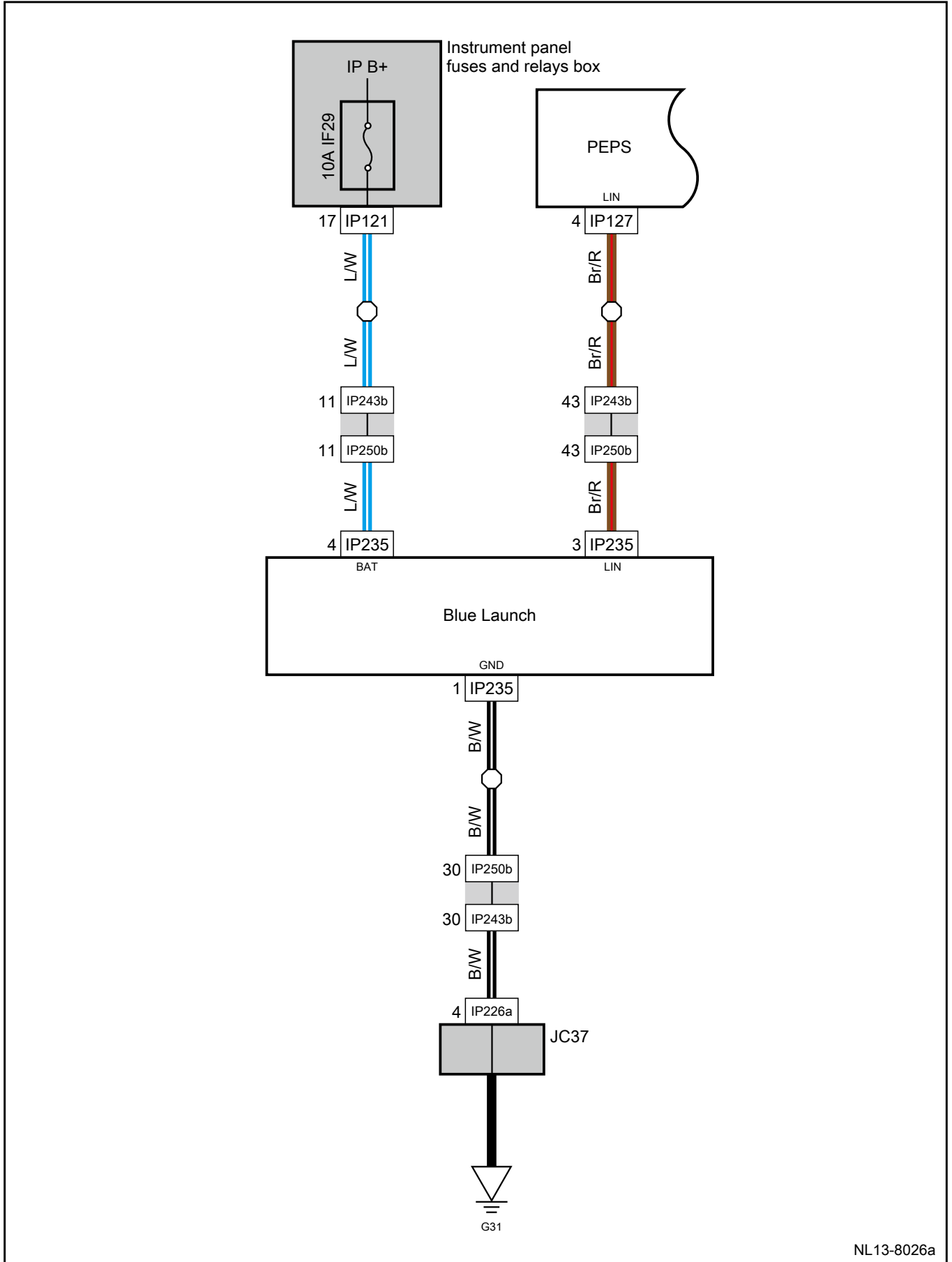
Harness connector	Name	Page
DR10	Driver side door outer handle sensor harness connector	171
DR20	Passenger door outer handle sensor harness connector	172
DR52a	Driver side door to instrument panel harness connector 2	171
DR56b	Passenger side door to instrument panel harness connector 1	172
IP14a	Instrument panel to driver side door harness connector 2	78
IP15b	Instrument panel to passenger side door harness connector 1	79
IP46	Start/Stop button harness connector	80
IP125	Passive entry passive start control module harness connector 2	79
IP126	Passive entry passive start control module harness connector 3	80

Sensors and actuators 2



Harness connector	Name	Page
DR21d	Left rear door to floor harness connector	173
DR31d	Right rear door to floor harness connector	174
DR72	Left rear door antenna harness connector	173
DR77	Right rear door antenna harness connector	174
IP07a	Instrument panel to floor harness connector 1	78
IP09g	Instrument panel to floor harness connector 3	80
IP52	Center antenna harness connector	82
IP125	Passive entry passive start control module harness connector 2	79
IP126	Passive entry passive start control module harness connector 3	80
IP143	Standby antenna harness connector	82
IP243b	Instrument panel to Instrument-wire harness connector	78
IP250b	Instrument-wire to Instrument panel harness connector	82
SO01a	Floor to instrument panel harness connector 1	123
SO03h	Floor to instrument panel harness connector 3	124
SO18d	Floor to left rear door harness connector	123
SO20d	Floor to right rear door harness connector	124
SO28	Interior rear keyless antenna harness connector	123
SO147e	Floor to rear harness connector	124
SO148e	Rear to floor harness connector	127

Sensors and actuators 3

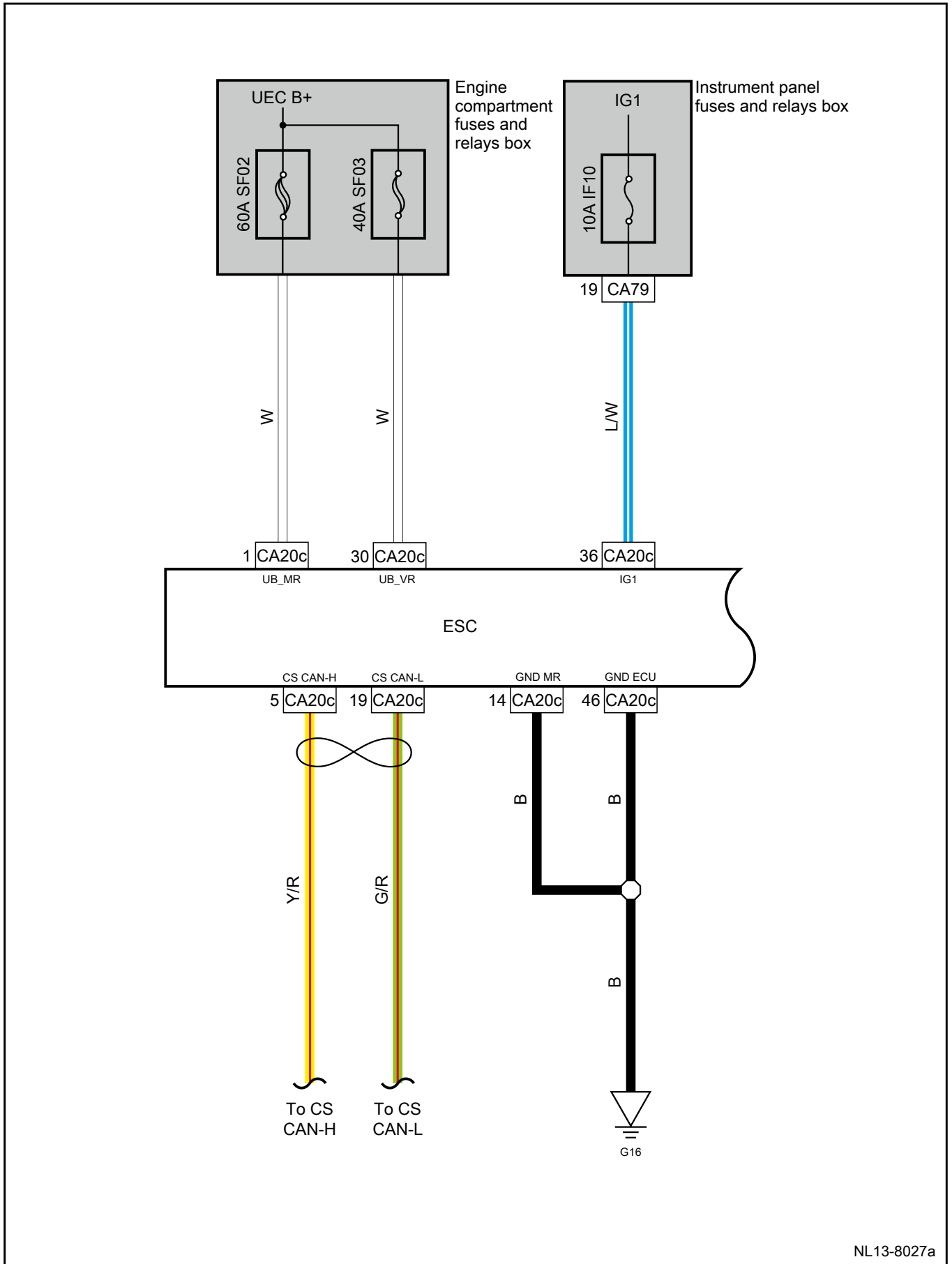


NL13-8026a

---

Harness connector	Name	Page
IP121	Intelligent electrical junction boxes harness connector G	78
IP127	Passive entry passive start control module harness connector 4	79
IP226a	JC37 harness connector	78
IP235	Blue launch harness connector	82
IP243b	Instrument panel to Instrument-wire harness connector	78
IP250b	Instrument-wire to Instrument panel harness connector	82
G31	Instrument panel harness grounding	195

Power supply and data (part 1)



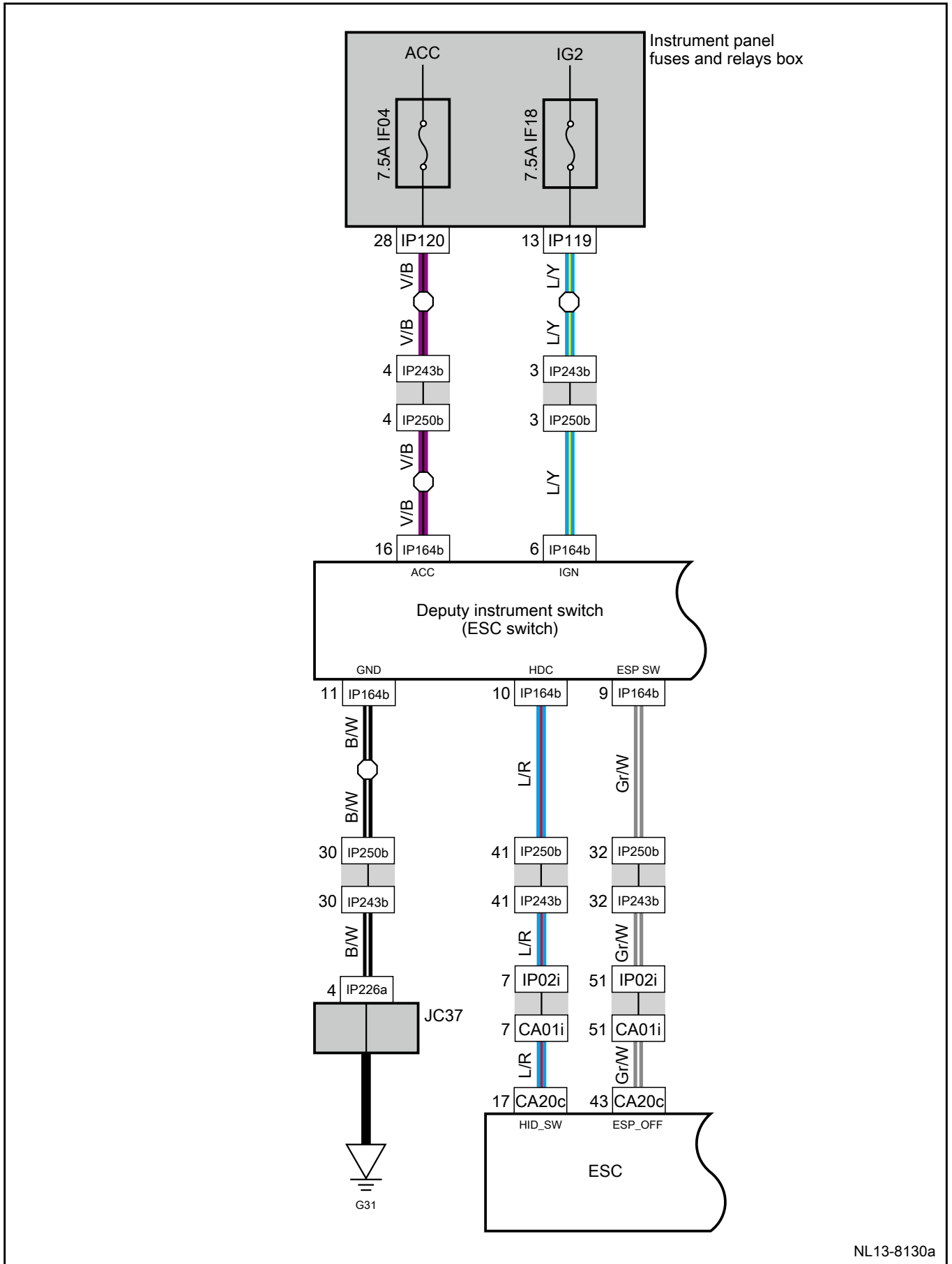
NL13-8027a

---

Harness connector	Name	Page
CA20c	Electronic stability control system harness connector	29
CA79	Intelligent electrical junction boxes harness connector B	30
G16	Engine compartment harness grounding	191

Join point	Explanations	Page
CA20c-5	To CS CAN-H	604,606
CA20c-19	To CS CAN-L	604,606

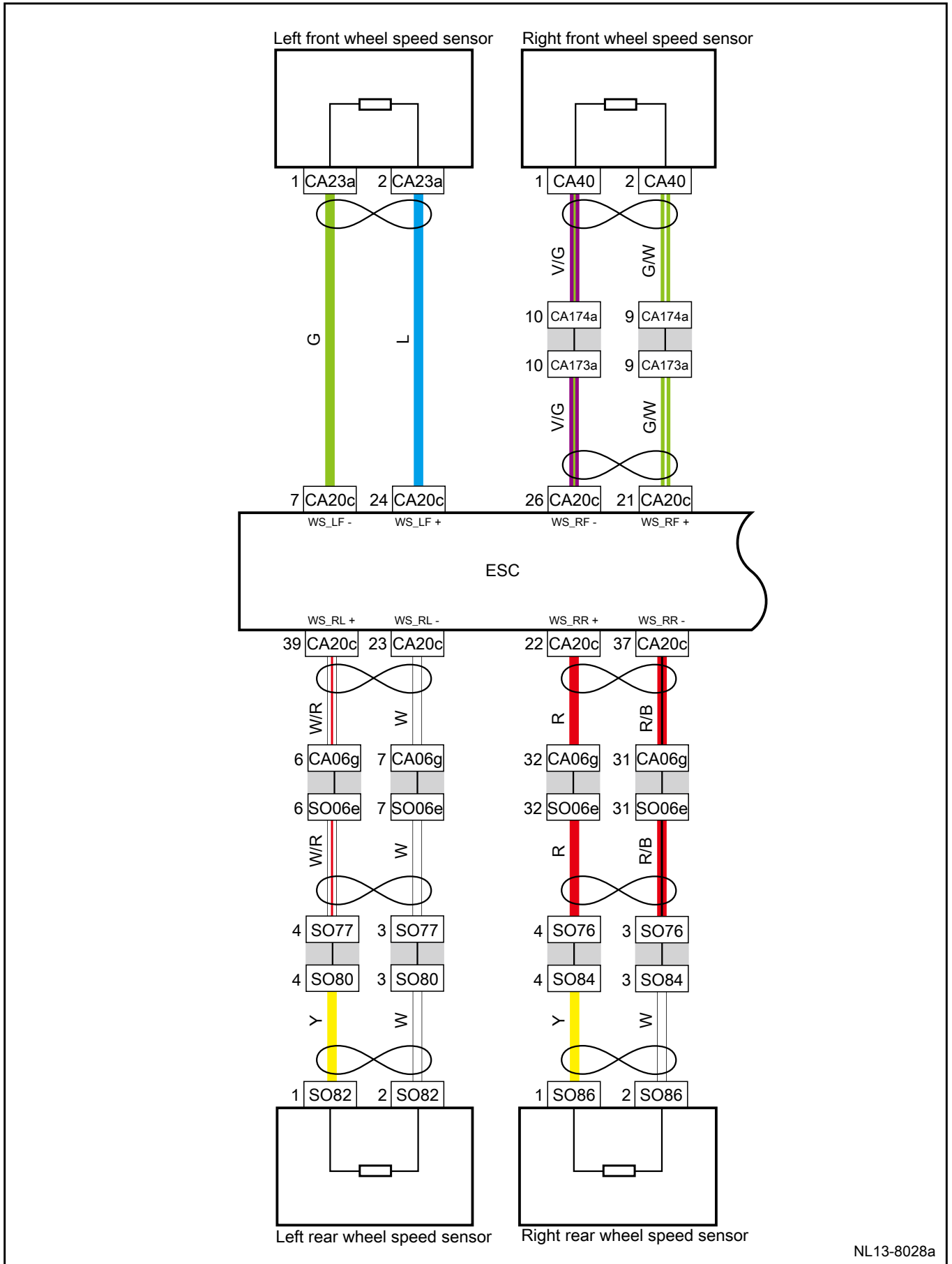
Power supply and data (part 2)



---

Harness connector	Name	Page
CA01i	Engine compartment to instrument panel harness connector 1	30
CA20c	Electronic stability control system harness connector	29
IP02i	Instrument panel to engine compartment harness connector 1	78
IP119	Intelligent electrical junction boxes harness connector E	78
IP120	Intelligent electrical junction boxes harness connector F	78
IP164b	Deputy instrument switch harness connectors	82
IP226a	JC37 harness connector	78
IP243b	Instrument panel to Instrument-wire harness connector	78
IP250b	Instrument-wire to Instrument panel harness connector	82
G31	Instrument panel harness grounding	195

Wheel speed sensors and actuators

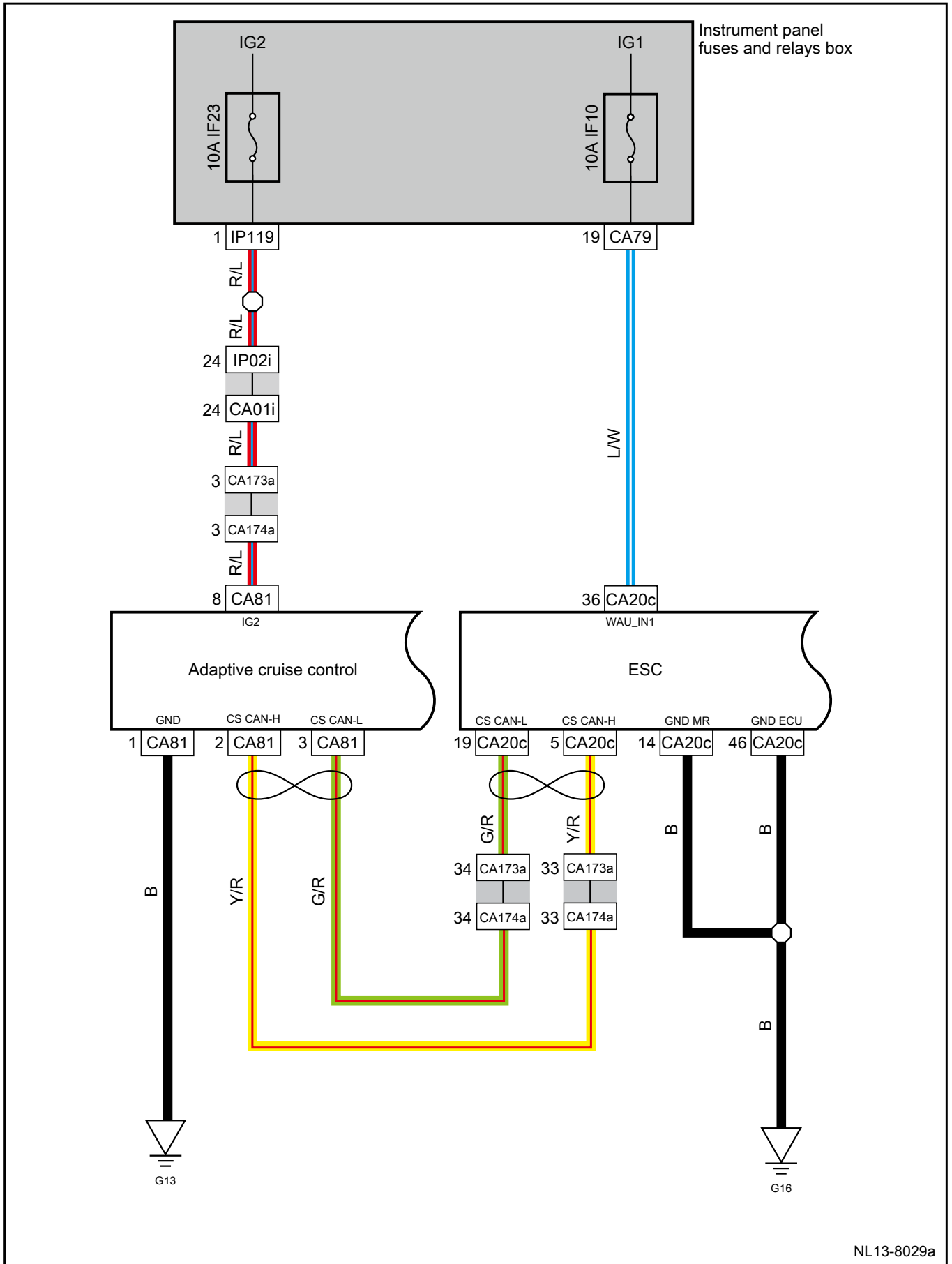


NL13-8028a

---

Harness connector	Name	Page
CA06g	Engine compartment to floor harness connector	30
CA20c	Electronic stability control system harness connector	29
CA23a	Left front wheel speed sensor harness connector	29
CA40	Right front wheel speed sensor harness connector	32
CA173a	Engine compartment to front-end module harness connector	29
CA174a	Front-end module to engine compartment harness connector	32
SO06e	Floor to engine compartment harness connector	123
SO76	Floor to right brake caliper motor harness connector	123
SO77	Floor to left brake caliper motor harness connector	124

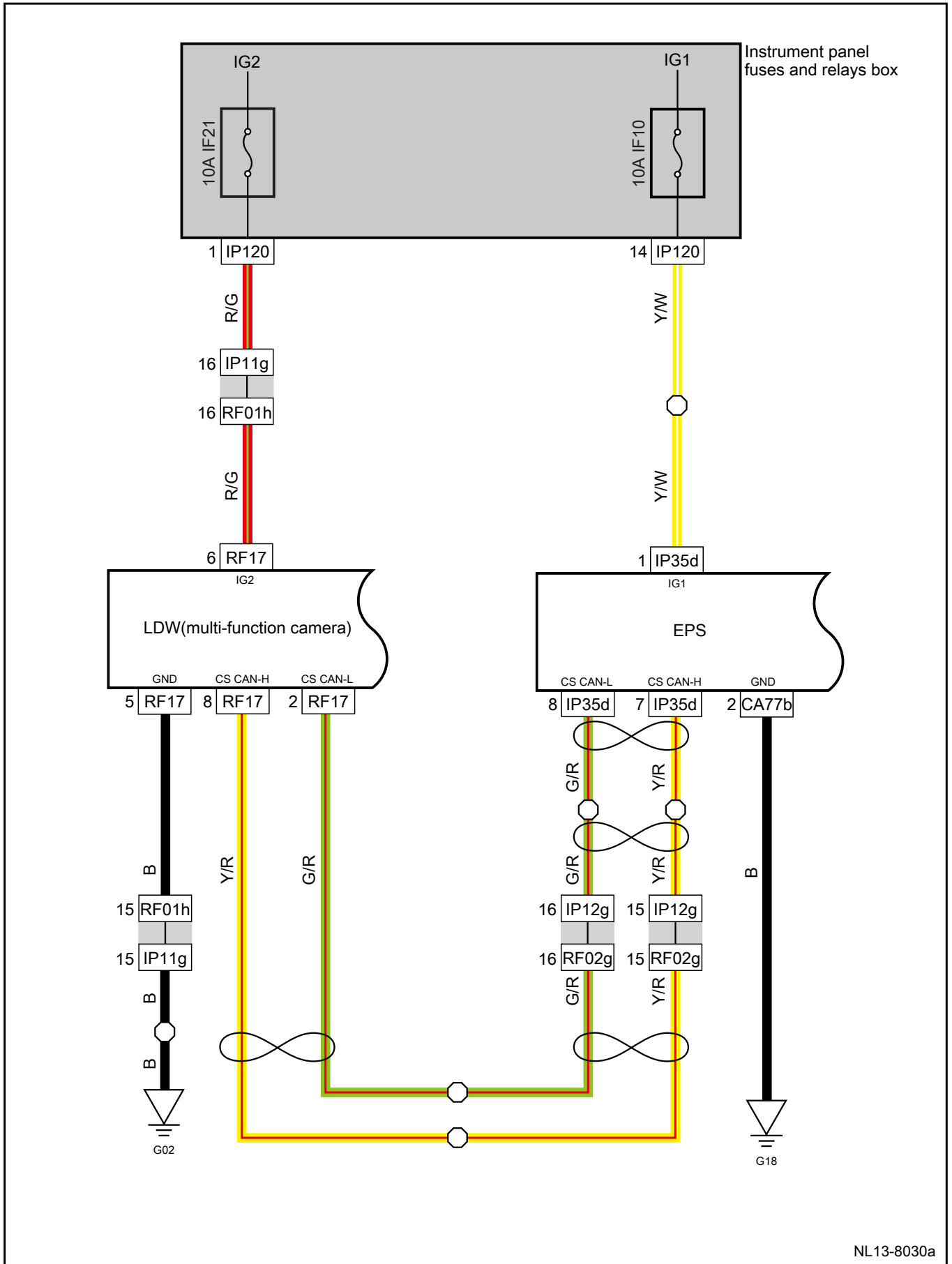
Ready alert brake system



NL13-8029a

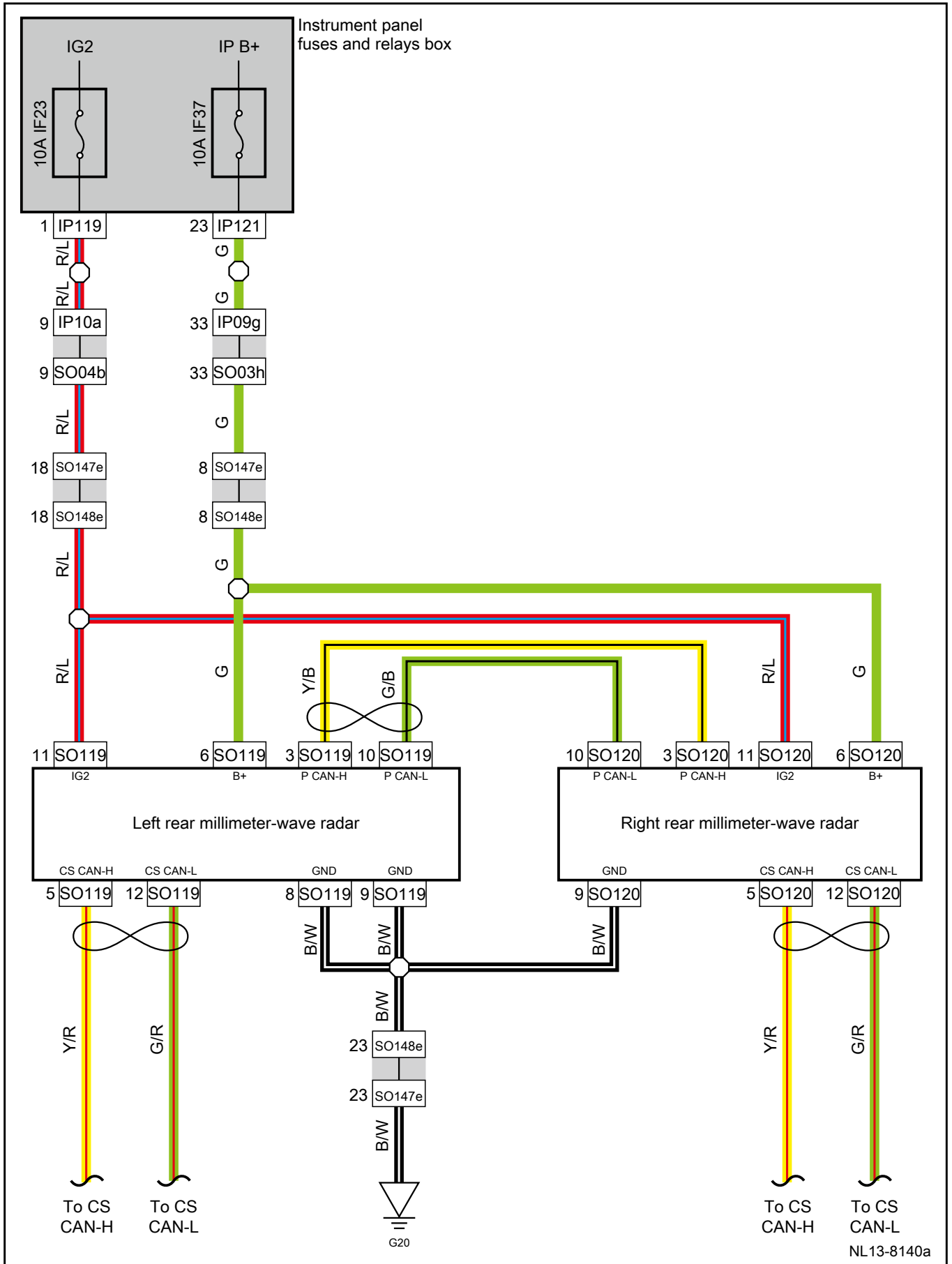
Harness connector	Name	Page
CA01i	Engine compartment to instrument panel harness connector 1	30
CA20c	Electronic stability control system harness connector	29
CA79	Intelligent electrical junction boxes harness connector B	30
CA81	Adaptive cruise control harness connector	32
CA173a	Engine compartment to front-end module harness connector	29
CA174a	Front-end module to engine compartment harness connector	32
IP02i	Instrument panel to engine compartment harness connector 1	78
IP119	Intelligent electrical junction boxes harness connector E	78
G13	Front-end module harness grounding	192
G16	Engine compartment harness grounding	191

Lane departure system



Harness connector	Name	Page
CA77b	Electrical power steering control module harness connector	30
IP11g	Instrument panel to roof harness connector 1	80
IP12g	Instrument panel to roof harness connector 2	78
IP35d	Electrical power steering control module harness connector	78
IP120	Intelligent electrical junction boxes harness connector F	78
RF01h	Roof to instrument panel harness connector 1	117
RF02g	Roof to instrument panel harness connector 2	117
RF17	LDW(multi-function camera) harness connector	117
G02	Instrument panel harness grounding	195
G18	Engine compartment harness grounding	64

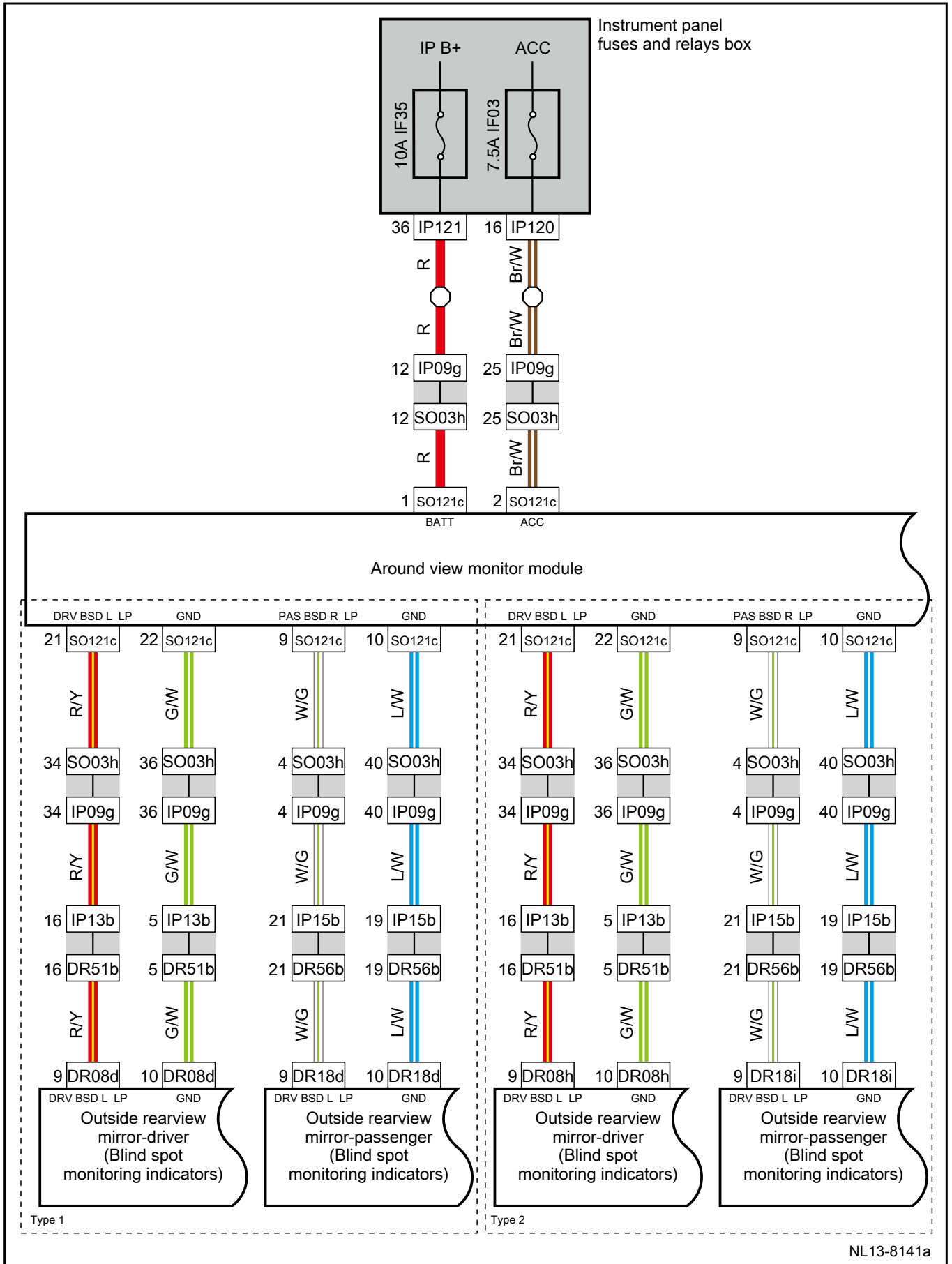
Blind spot monitor 1



Harness connector	Name	Page
IP09g	Instrument panel to floor harness connector 3	80
IP10a	Instrument panel to floor harness connector 4	79
IP119	Intelligent electrical junction boxes harness connector E	78
IP121	Intelligent electrical junction boxes harness connector G	78
SO03h	Floor to instrument panel harness connector 3	124
SO04b	Floor to instrument panel harness connector 4	124
SO119	Left rear millimeter-wave radar harness connector	127
SO120	Right rear millimeter-wave radar harness connector	127
SO147e	Floor to rear harness connector	124
SO148e	Rear to floor harness connector	127
G20	Floor harness grounding	196

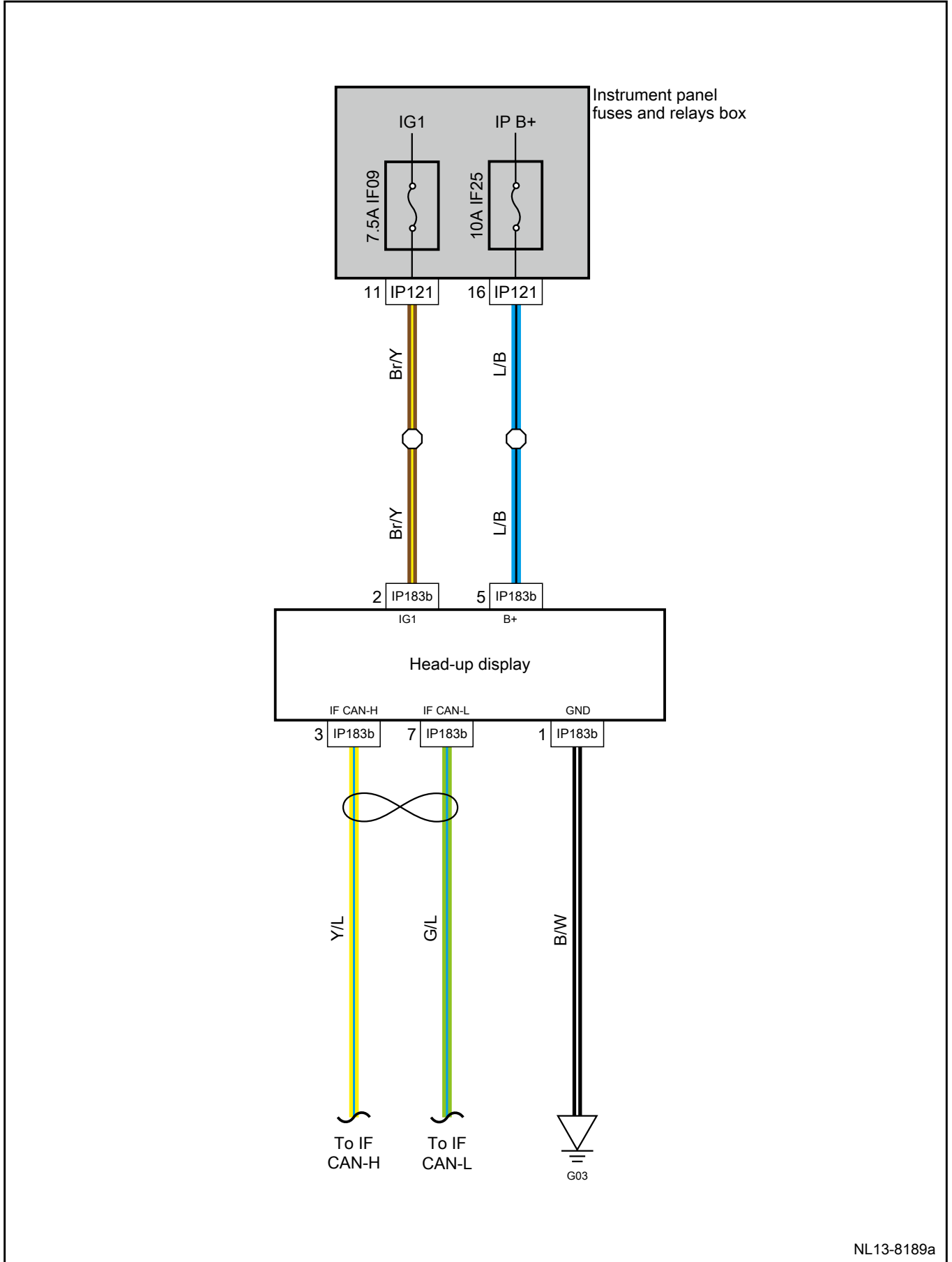
Join point	Explanations	Page
SO119-5	To CS CAN-H	610
SO119-12	To CS CAN-L	610
SO120-5	To CS CAN-H	610
SO120-12	To CS CAN-L	610

Blind spot monitor 2



Harness connector	Name	Page
DR08d	Outside Rearview Mirror-Driver harness connector 1	171
DR08h	Outside Rearview Mirror-Driver harness connector 1	171
DR18d	Outside rearview mirror-passenger harness connector 1	172
DR18i	Outside rearview mirror-passenger harness connector 1	172
DR51b	Driver side door to instrument panel harness connector 1	171
DR56b	Passenger side door to instrument panel harness connector 1	172
IP09g	Instrument panel to floor harness connector 3	80
IP13b	Instrument panel to driver side door harness connector 1	78
IP15b	Instrument panel to passenger side door harness connector 1	79
IP120	Intelligent electrical junction boxes harness connector F	78
IP121	Intelligent electrical junction boxes harness connector G	78
SO03h	Floor to instrument panel harness connector 3	124
SO121c	Around view monitor module harness connector 1	124

Head-up display



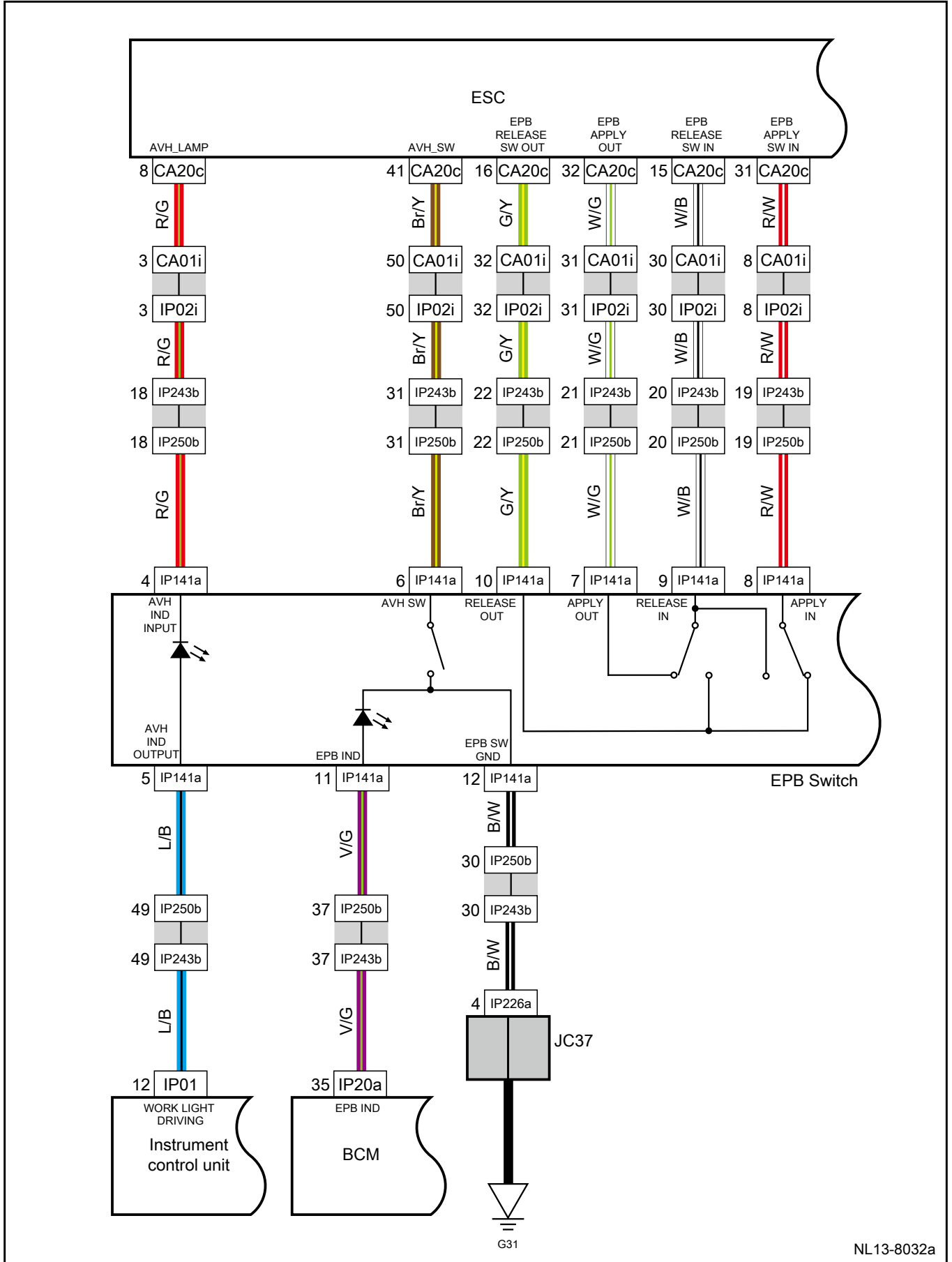
NL13-8189a

---

Harness connector	Name	Page
IP121	Intelligent electrical junction boxes harness connector G	78
IP183b	Head-up display harness connector	79
G03	Instrument panel harness grounding	195

Join point	Explanations	Page
IP183b-3	To IF CAN-H	594
IP183b-7	To IF CAN-L	594

EPB 1

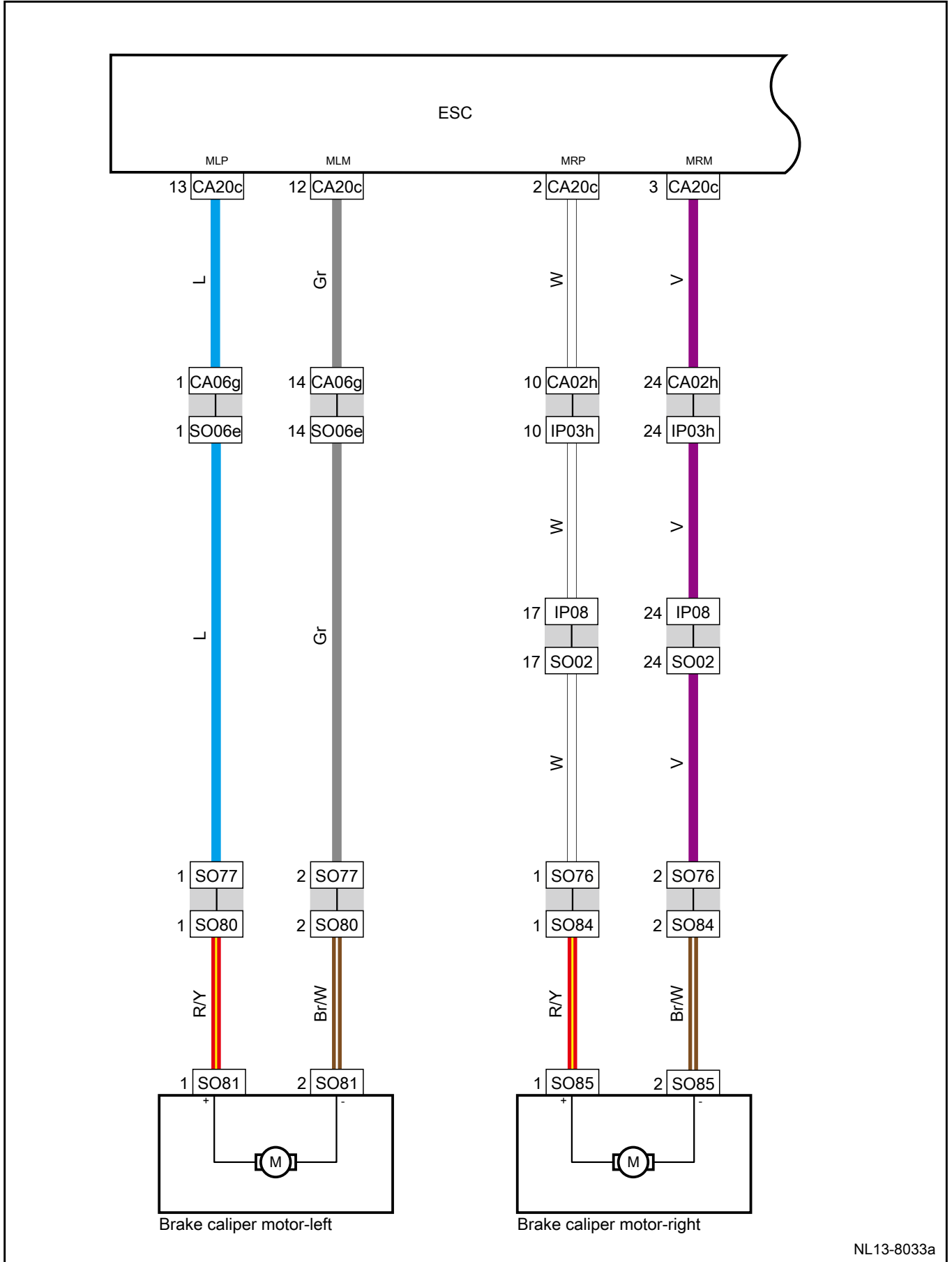


NL13-8032a

---

Harness connector	Name	Page
CA01i	Engine compartment to instrument panel harness connector 1	30
CA20c	Electronic stability control system harness connector	29
IP01	Instrument control unit harness connector	78
IP02i	Instrument panel to engine compartment harness connector 1	78
IP20a	Body control module harness connector 1	78
IP141a	EPB switch harness connector	82
IP226a	JC37 harness connector	78
IP243b	Instrument panel to Instrument-wire harness connector	78
IP250b	Instrument-wire to Instrument panel harness connector	82
G31	Instrument panel harness grounding	195

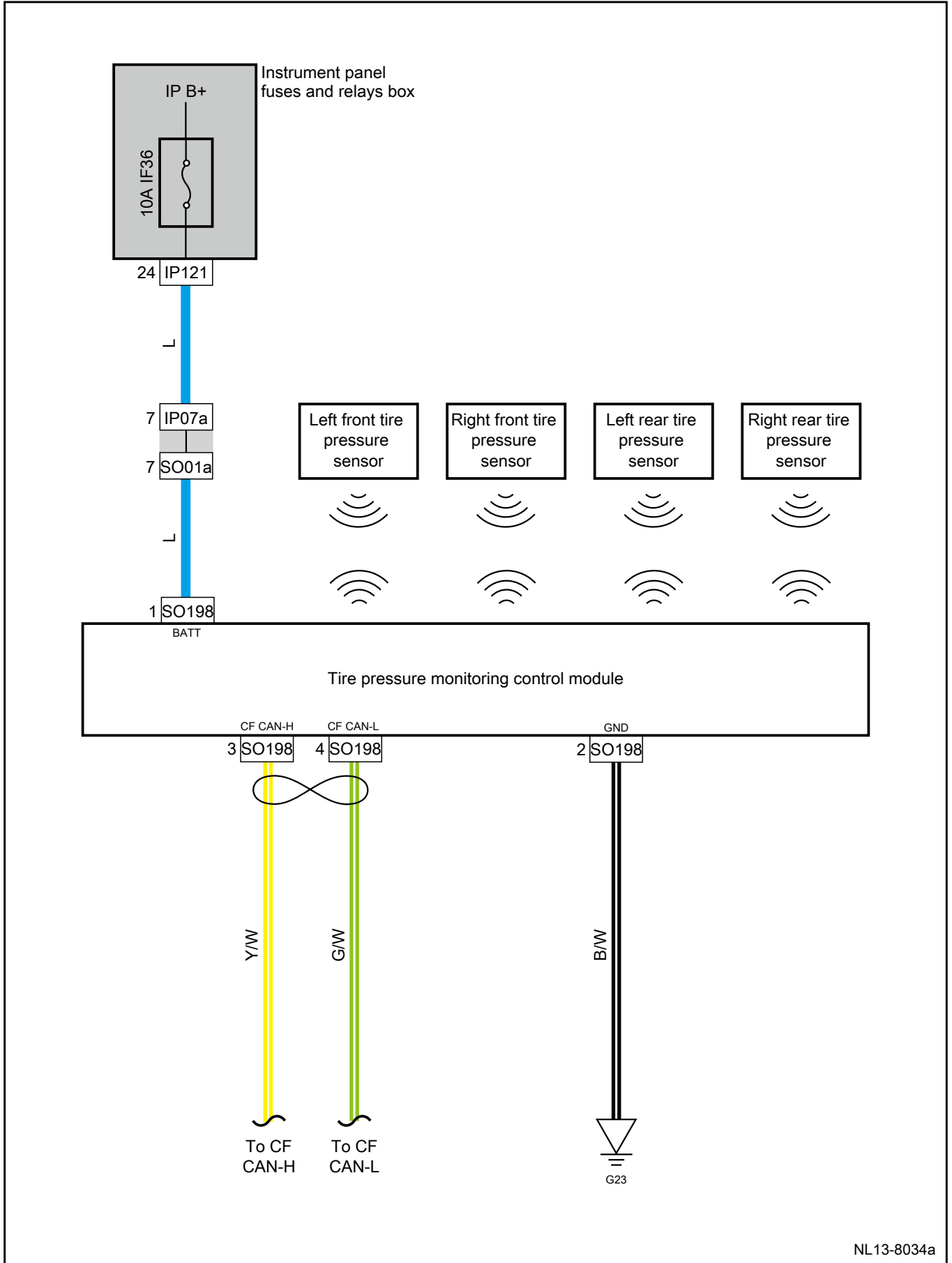
EPB 2



---

Harness connector	Name	Page
CA02h	Engine compartment to instrument panel harness connector 2	30
CA06g	Engine compartment to floor harness connector	30
CA20c	Electronic stability control system harness connector	29
IP03h	Instrument panel to engine compartment harness connector 2	78
IP08	Instrument panel to floor harness connector 2	78
SO02	Floor to instrument panel harness connector 2	123
SO06e	Floor to engine compartment harness connector	123
SO76	Floor to right brake caliper motor harness connector	123
SO77	Floor to left brake caliper motor harness connector	124

TPMS



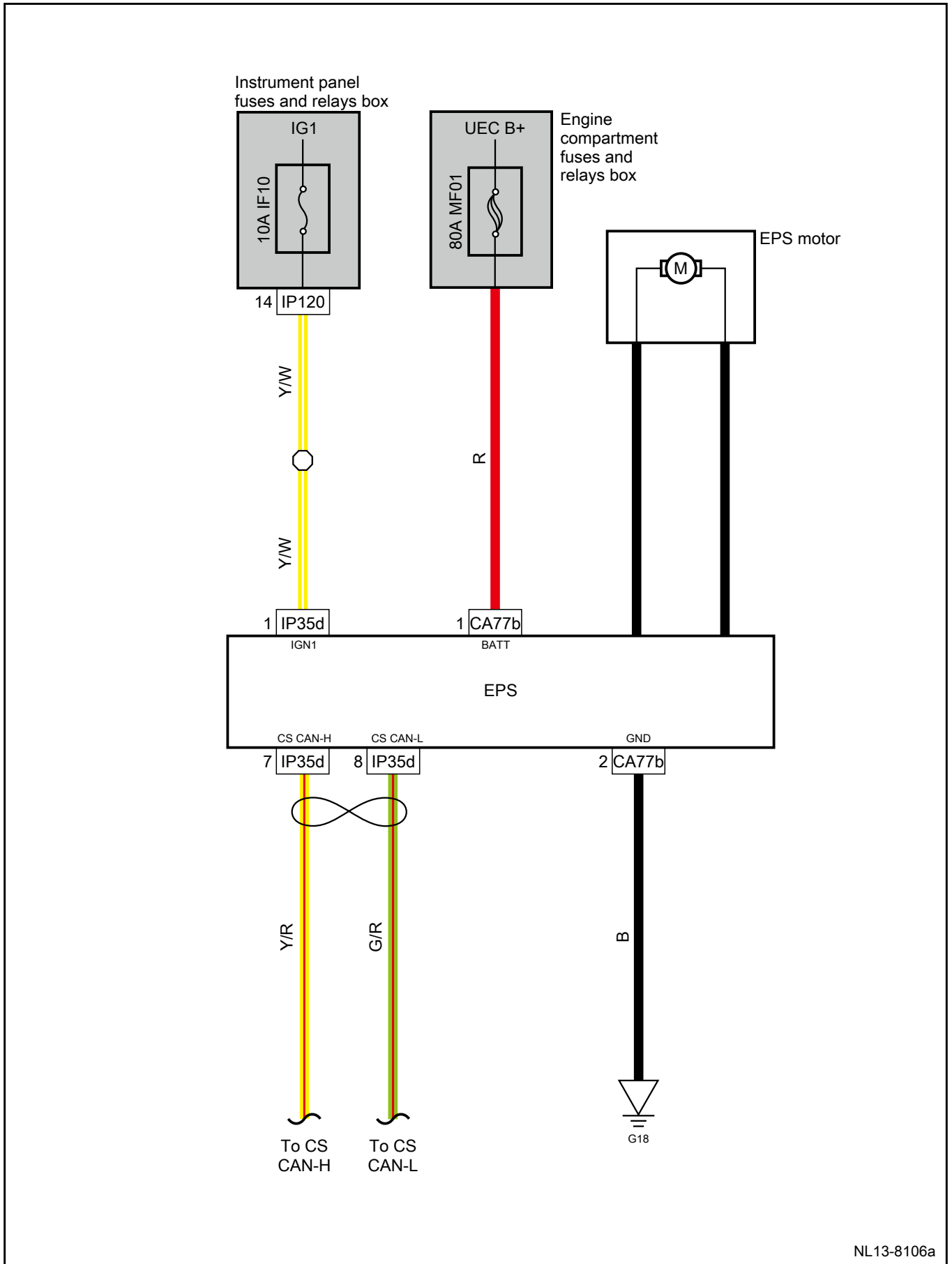
NL13-8034a

---

Harness connector	Name	Page
IP07a	Instrument panel to floor harness connector 1	78
IP121	Intelligent electrical junction boxes harness connector G	78
SO01a	Floor to instrument panel harness connector 1	123
SO198	Tire pressure monitoring control module harness connector	123
G23	Floor harness grounding	196

Join point	Explanations	Page
SO198-3	To CF CAN-H	600,602
SO198-4	To CF CAN-L	600,602

Power steering



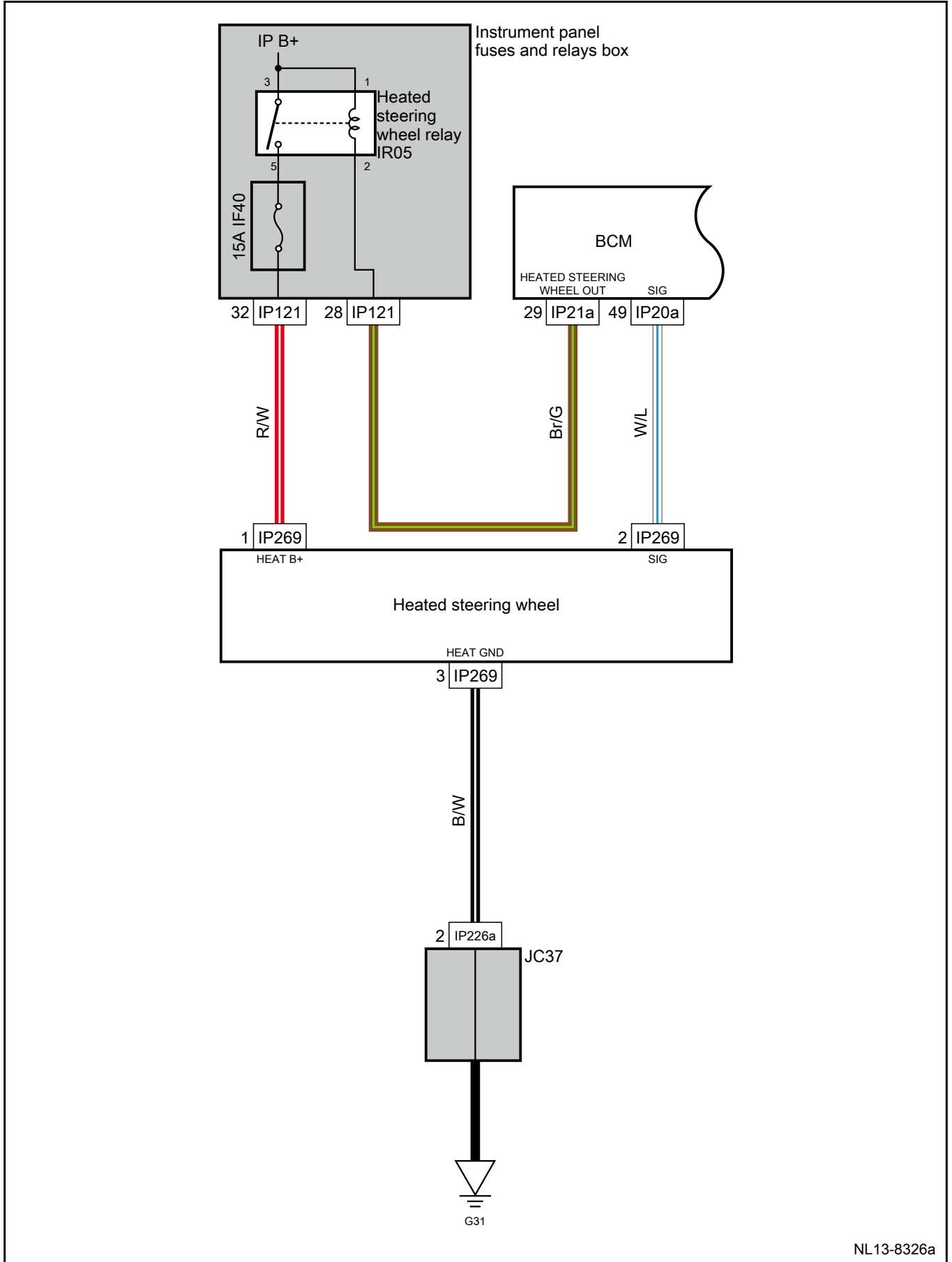
NL13-8106a

---

Harness connector	Name	Page
CA77b	Electrical power steering control module harness connector	30
IP35d	Electrical power steering control module harness connector	78
IP120	Intelligent electrical junction boxes harness connector F	78
G18	Engine compartment harness grounding	64

Join point	Explanations	Page
IP35d-7	To CS CAN-H	608
IP35d-8	To CS CAN-L	608

Heated steering wheel

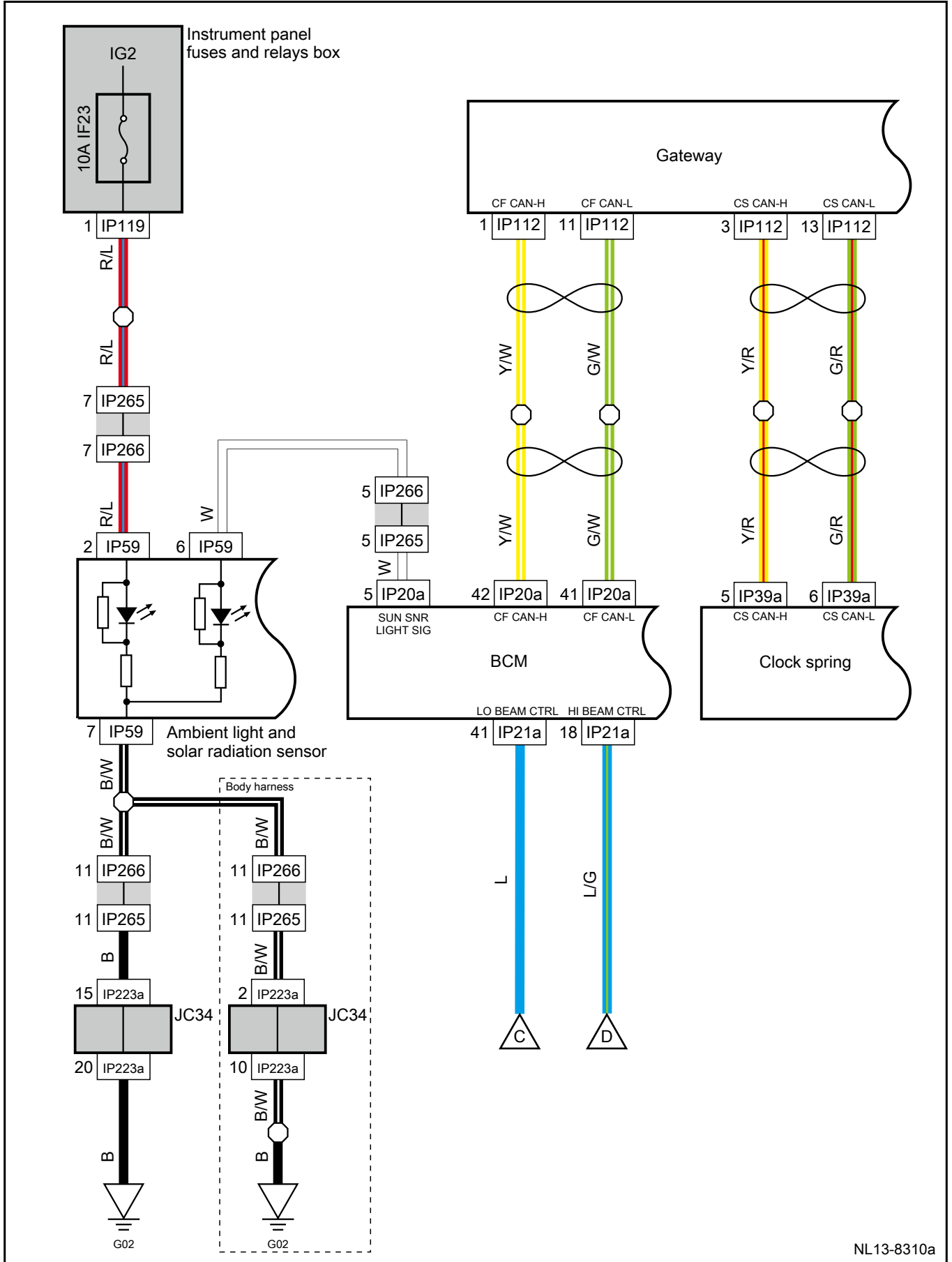


NL13-8326a

---

Harness connector	Name	Page
IP20a	Body control module harness connector 1	78
IP21a	Body control module harness connector 2	78
IP121	Intelligent electrical junction boxes harness connector G	78
IP226a	JC37 harness connector	78
IP269	Heated steering wheel harness connector	79
G31	Instrument panel harness grounding	195

Headlight 1



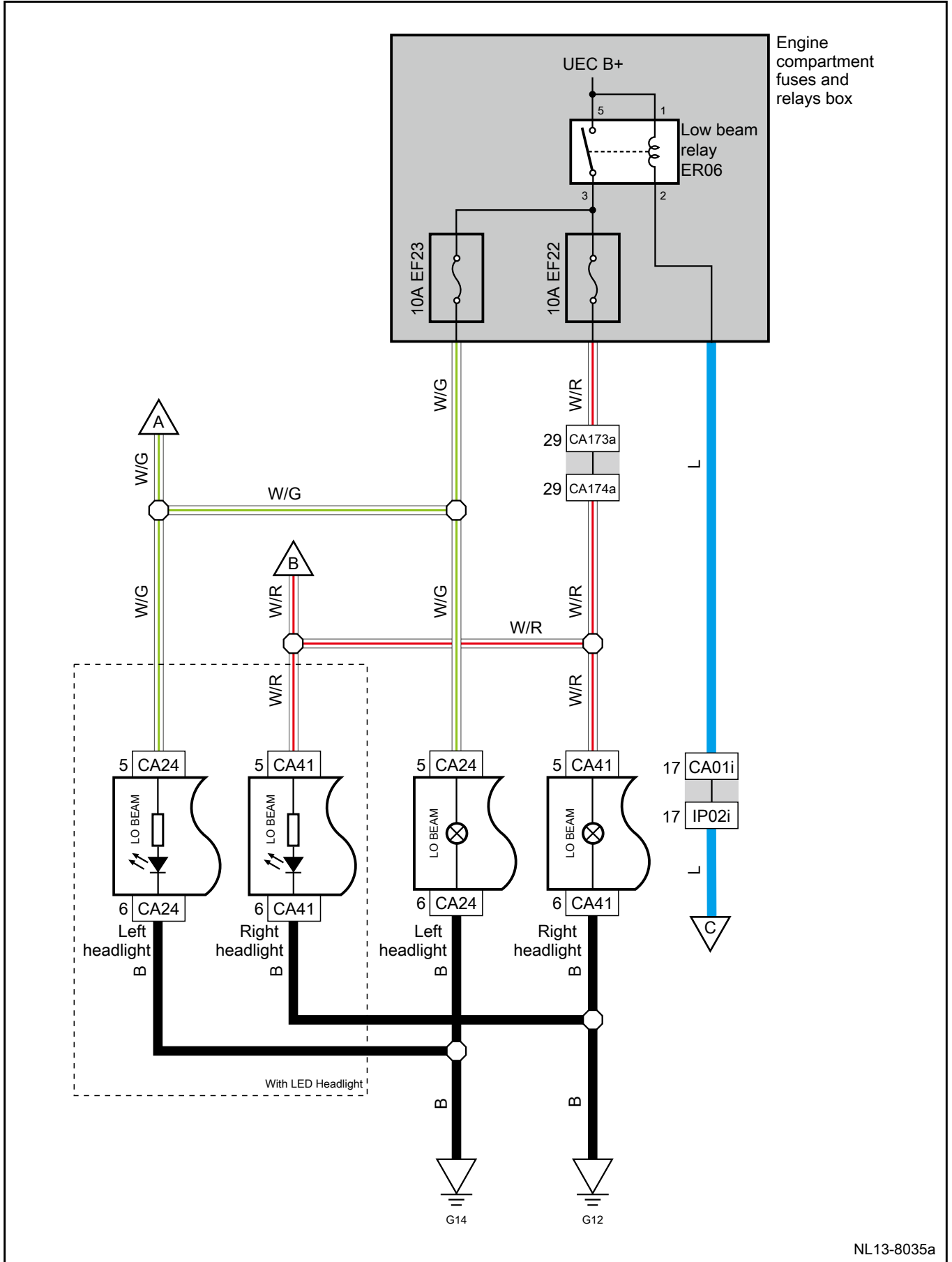
NL13-8310a

---

Harness connector	Name	Page
IP20a	Body control module harness connector 1	78
IP21a	Body control module harness connector 2	78
IP39a	Clock spring harness connector A	79
IP59	Ambient light and solar radiation sensor harness connector	82
IP112	Gateway harness connector	78
IP119	Intelligent electrical junction boxes harness connector E	78
IP223a	JC34 harness connector	78
IP265	Instrument panel to solar radiation sensor harness connector	79
IP266	Solar radiation sensor to instrument panel harness connector	82
G02	Instrument panel harness grounding	195

Join point	Explanations	Page
C	To head light 2	358
D	To head light 4	362

Headlight 2

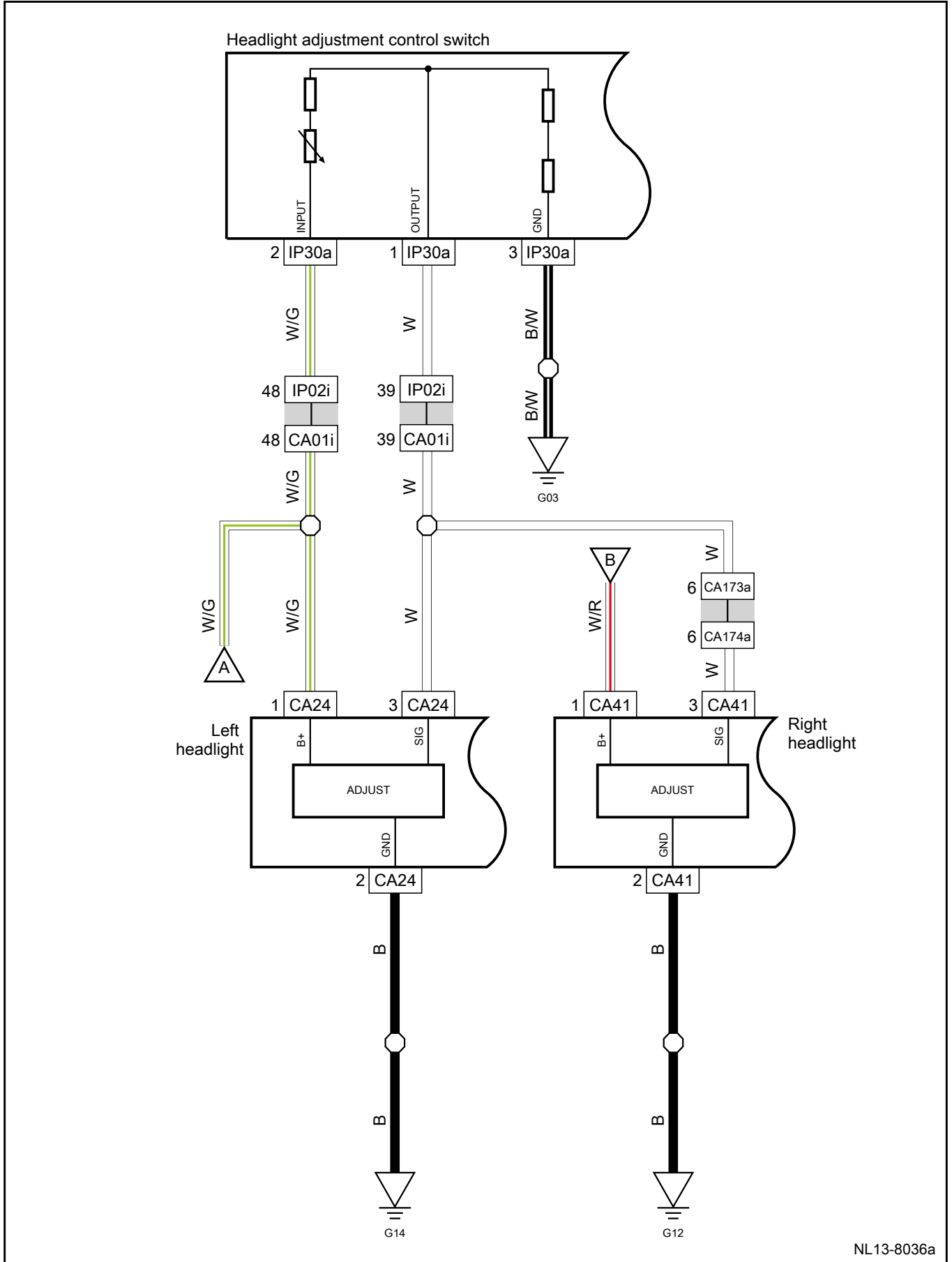


---

Harness connector	Name	Page
CA01i	Engine compartment to instrument panel harness connector 1	30
CA24	Left headlight harness connector	29
CA41	Right headlight harness connector	32
CA173a	Engine compartment to front-end module harness connector	29
CA174a	Front-end module to engine compartment harness connector	32
IP02i	Instrument panel to engine compartment harness connector 1	78
G12	Front-end module harness grounding	192
G14	Engine compartment harness grounding	191

Join point	Explanations	Page
A	To head light 3	360
B	To head light 3	360
C	To head light 1	356

Headlight 3



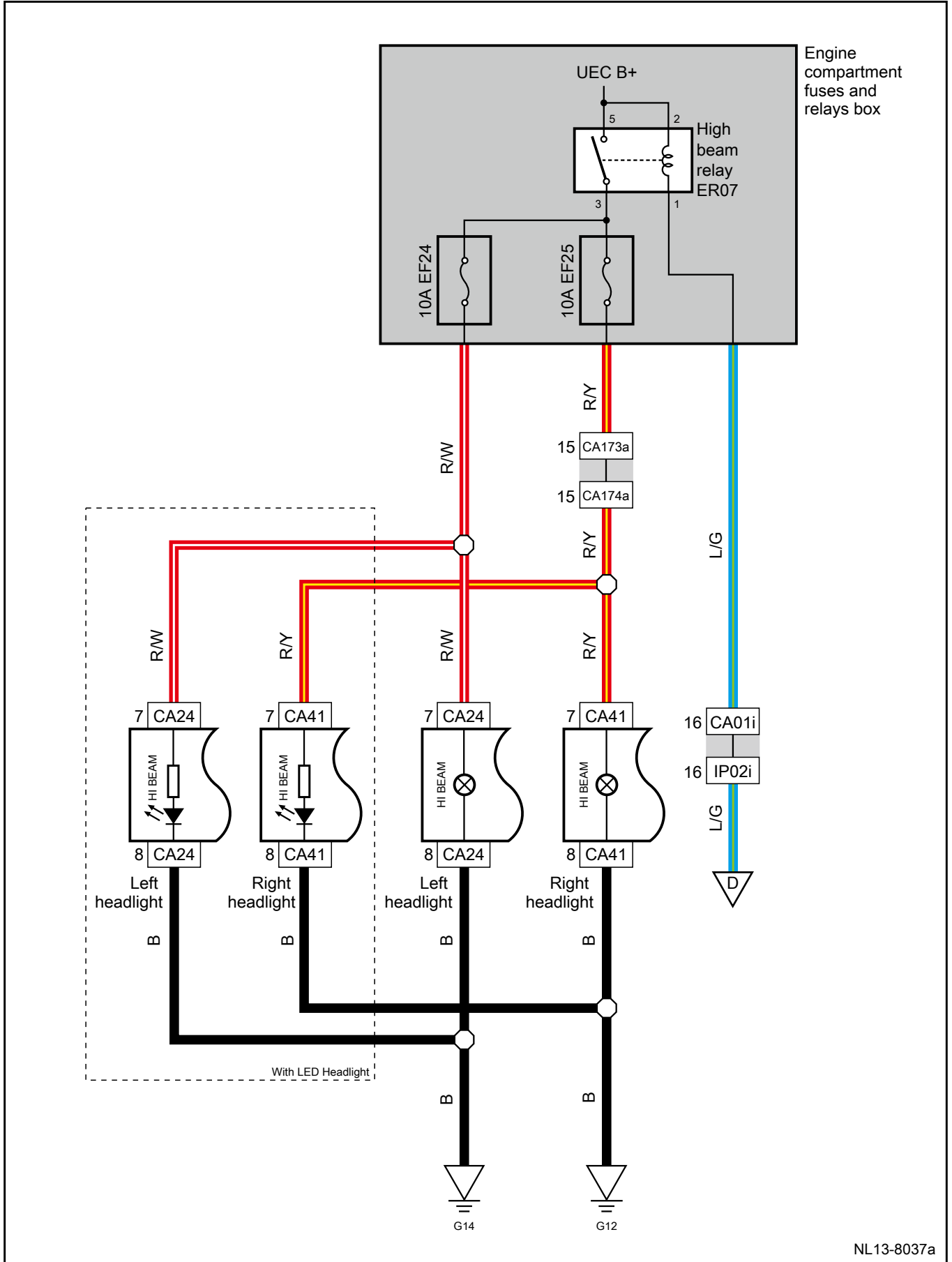
NL13-8036a

---

Harness connector	Name	Page
CA01i	Engine compartment to instrument panel harness connector 1	30
CA24	Left headlight harness connector	29
CA41	Right headlight harness connector	32
CA173a	Engine compartment to front-end module harness connector	29
CA174a	Front-end module to engine compartment harness connector	32
IP02i	Instrument panel to engine compartment harness connector 1	78
IP30a	Headlight adjustment control switch harness connector	78
G03	Instrument panel harness grounding	195
G12	Front-end module harness grounding	192
G14	Engine compartment harness grounding	191

Join point	Explanations	Page
A	To head light 2	358
B	To head light 2	358

Headlight 4

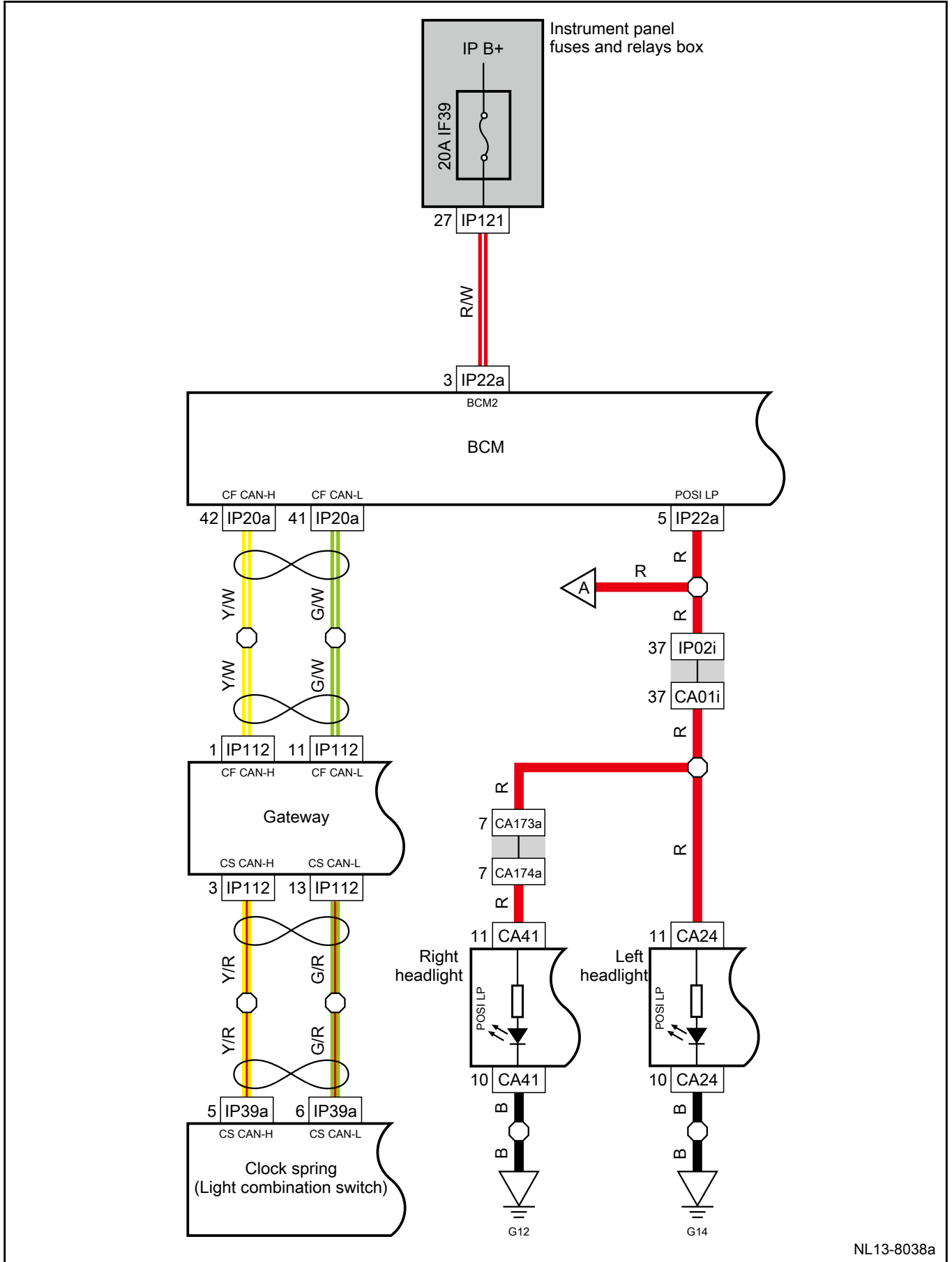


---

Harness connector	Name	Page
CA01i	Engine compartment to instrument panel harness connector 1	30
CA24	Left headlight harness connector	29
CA41	Right headlight harness connector	32
CA173a	Engine compartment to front-end module harness connector	29
CA174a	Front-end module to engine compartment harness connector	32
IP02i	Instrument panel to engine compartment harness connector 1	78
G12	Front-end module harness grounding	192
G14	Engine compartment harness grounding	191

Join point	Explanations	Page
D	To head light 1	356

Position light 1

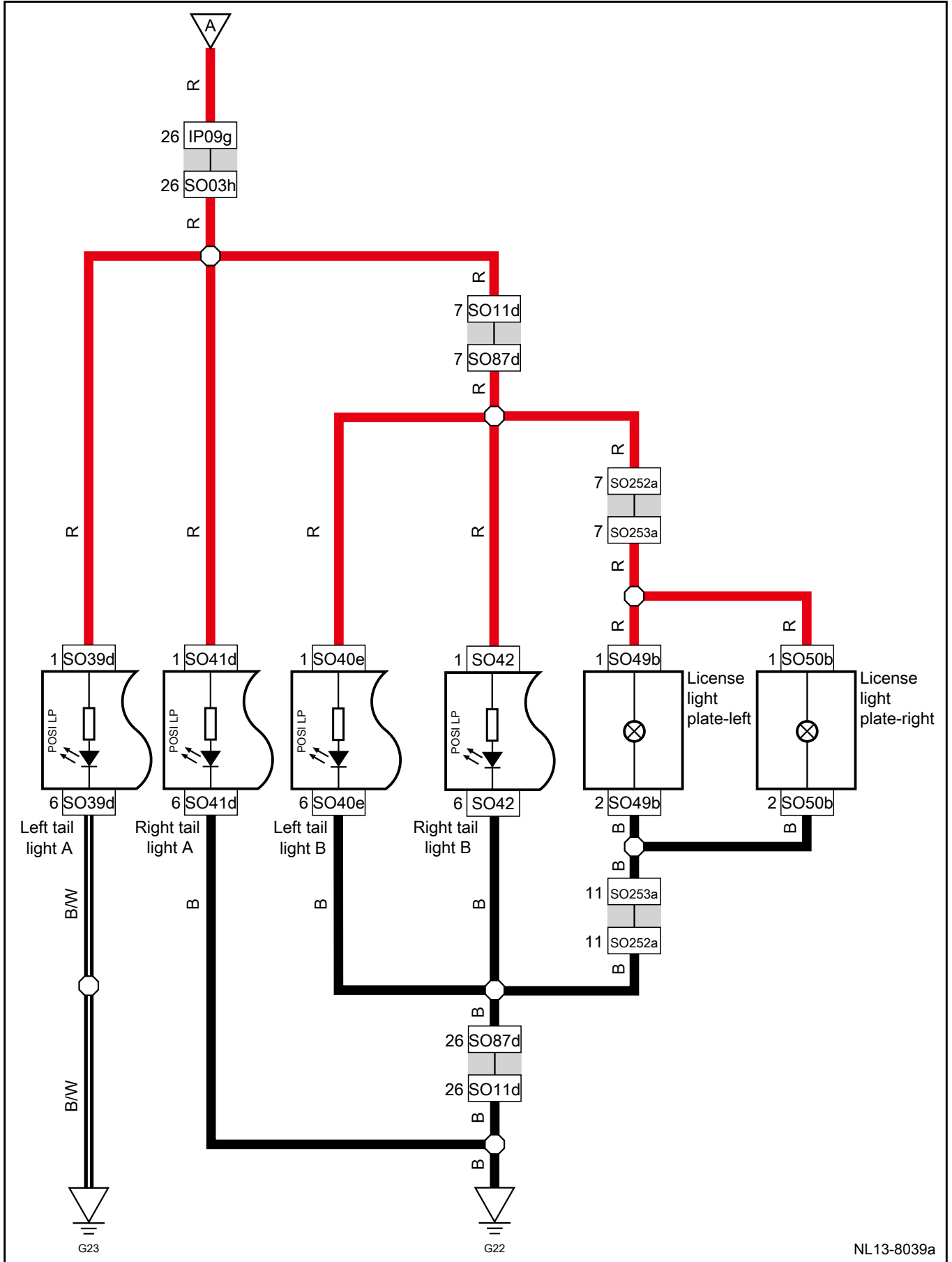


NL13-8038a

Harness connector	Name	Page
CA01i	Engine compartment to instrument panel harness connector 1	30
CA24	Left headlight harness connector	29
CA41	Right headlight harness connector	32
CA173a	Engine compartment to front-end module harness connector	29
CA174a	Front-end module to engine compartment harness connector	32
IP02i	Instrument panel to engine compartment harness connector 1	78
IP20a	Body control module harness connector 1	78
IP22a	Body control module harness connector 3	78
IP39a	Clock spring harness connector A	79
IP112	Gateway harness connector	78
IP121	Intelligent electrical junction boxes harness connector G	78
G12	Front-end module harness grounding	192
G14	Engine compartment harness grounding	191

Join point	Explanations	Page
A	To position light 2	366

Position light 2

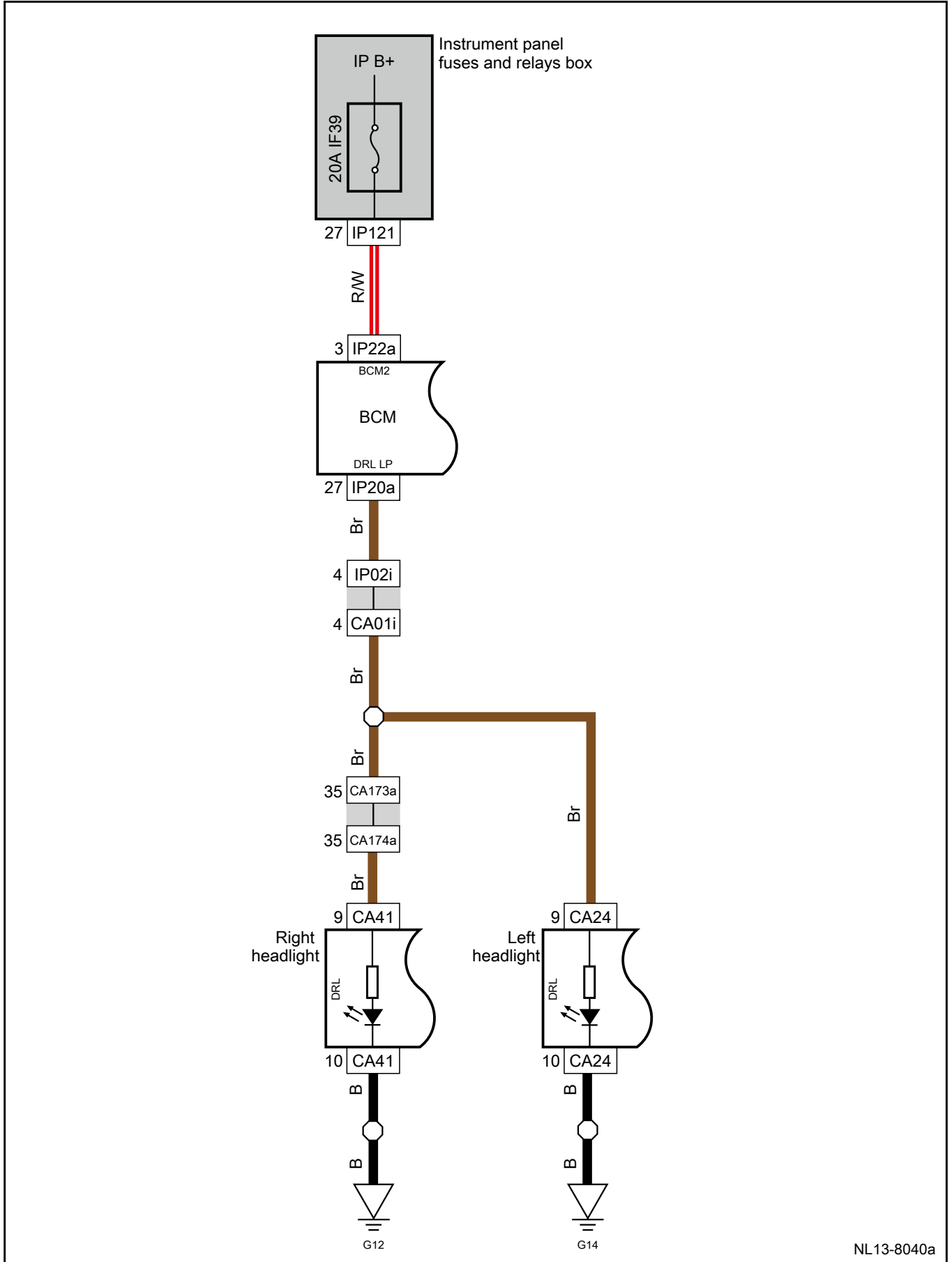


NL13-8039a

Harness connector	Name	Page
IP09g	Instrument panel to floor harness connector 3	80
SO03h	Floor to instrument panel harness connector 3	124
SO11d	Floor to trunk door harness connector A	124
SO39d	Left tail light harness connector A	124
SO40e	Left tail light harness connector B	126
SO41d	Right tail light harness connector A	123
SO42	Right tail light harness connector B	126
SO49b	Left rear license plate light harness connector	128
SO50b	Right rear license plate light harness connector	128
SO87d	Trunk door to floor harness connector A	126
SO252a	Trunk door to license light plate harness connector	126
SO253a	License light plate to trunk door harness connector	128
G22	Floor harness grounding	196
G23	Floor harness grounding	196

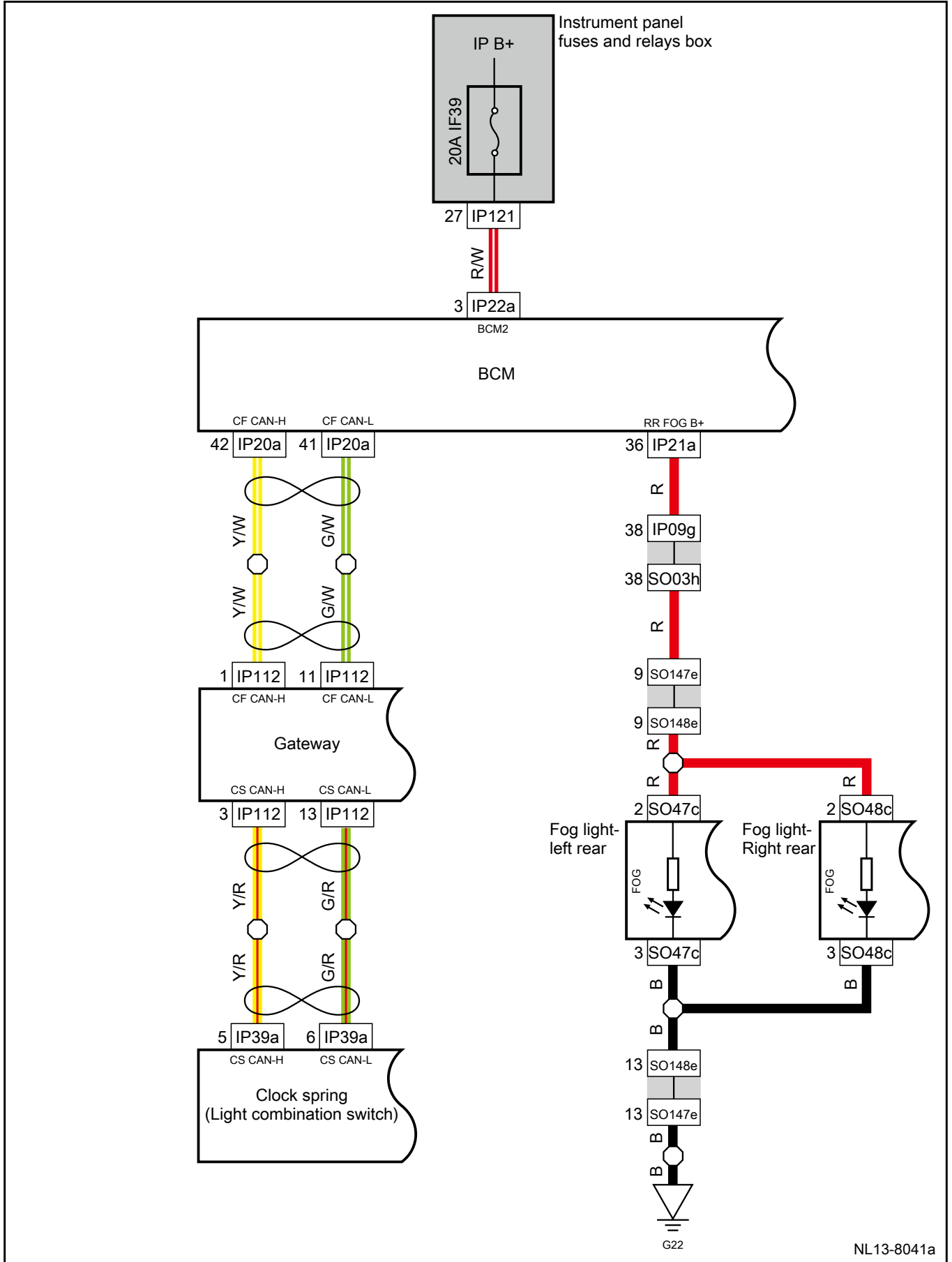
Join point	Explanations	Page
A	To position light 1	364

Daytime running light



Harness connector	Name	Page
CA01i	Engine compartment to instrument panel harness connector 1	30
CA24	Left headlight harness connector	29
CA41	Right headlight harness connector	32
CA173a	Engine compartment to front-end module harness connector	29
CA174a	Front-end module to engine compartment harness connector	32
IP02i	Instrument panel to engine compartment harness connector 1	78
IP20a	Body control module harness connector 1	78
IP22a	Body control module harness connector 3	78
IP121	Intelligent electrical junction boxes harness connector G	78
G12	Front-end module harness grounding	192
G14	Engine compartment harness grounding	191

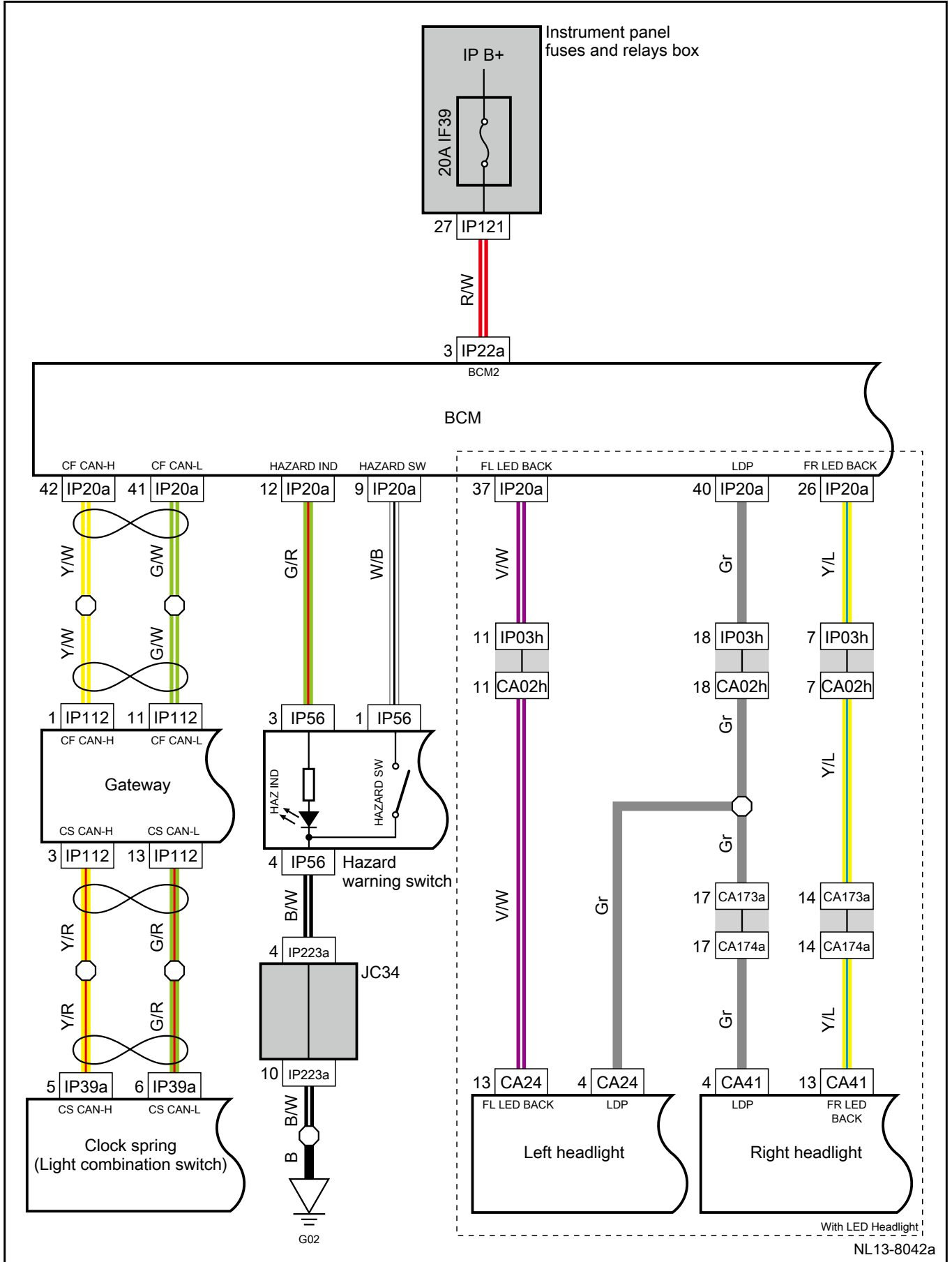
Fog light



NL13-8041a

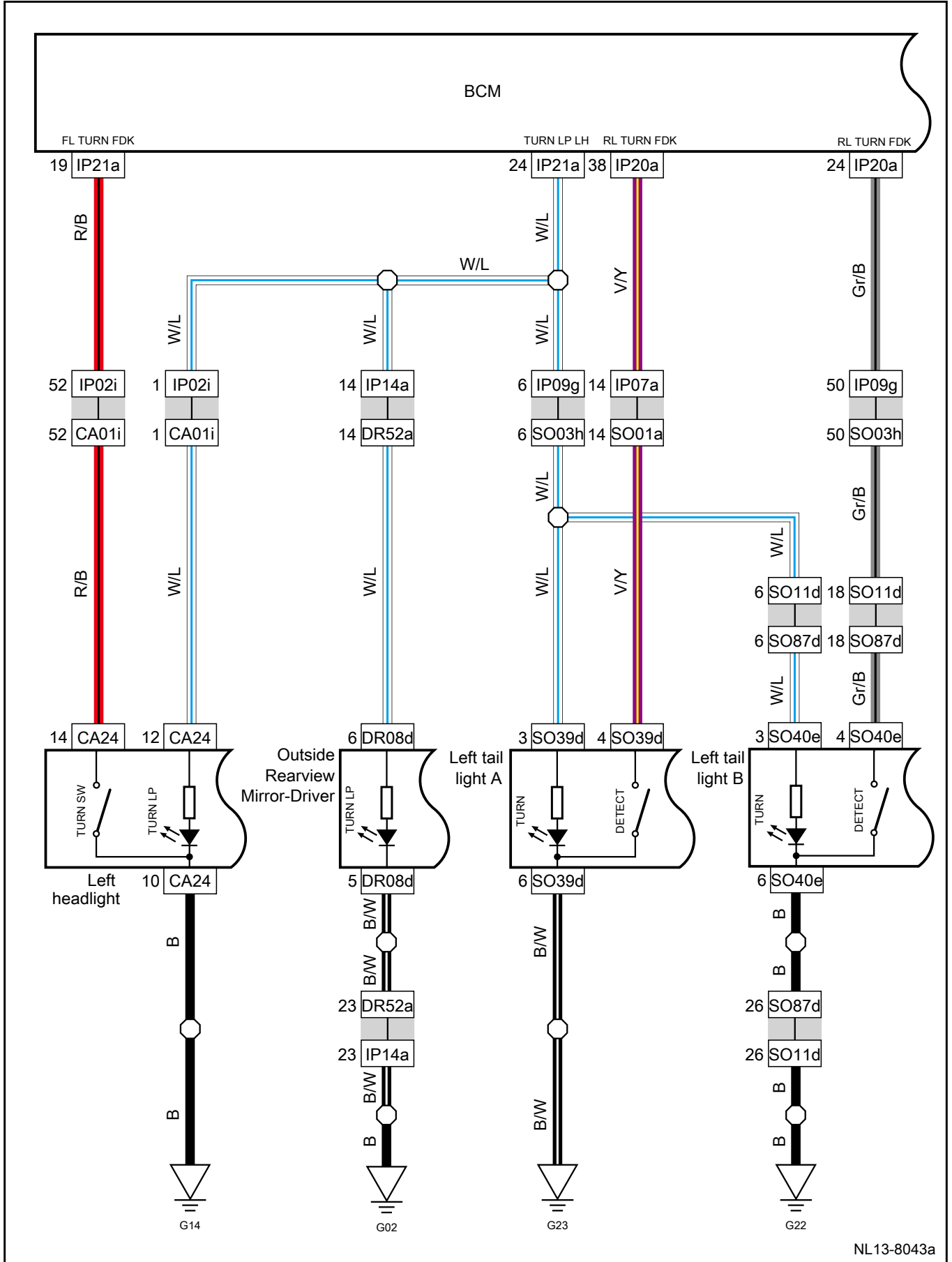
Harness connector	Name	Page
IP09g	Instrument panel to floor harness connector 3	80
IP20a	Body control module harness connector 1	78
IP21a	Body control module harness connector 2	78
IP22a	Body control module harness connector 3	78
IP39a	Clock spring harness connector A	79
IP112	Gateway harness connector	78
IP121	Intelligent electrical junction boxes harness connector G	78
SO03h	Floor to instrument panel harness connector 3	124
SO47c	Left rear fog light harness connector	127
SO48c	Right rear fog light harness connector	127
SO147e	Floor to rear harness connector	124
SO148e	Rear to floor harness connector	127
G22	Floor harness grounding	196

Turn signal light, Hazard warning light 1



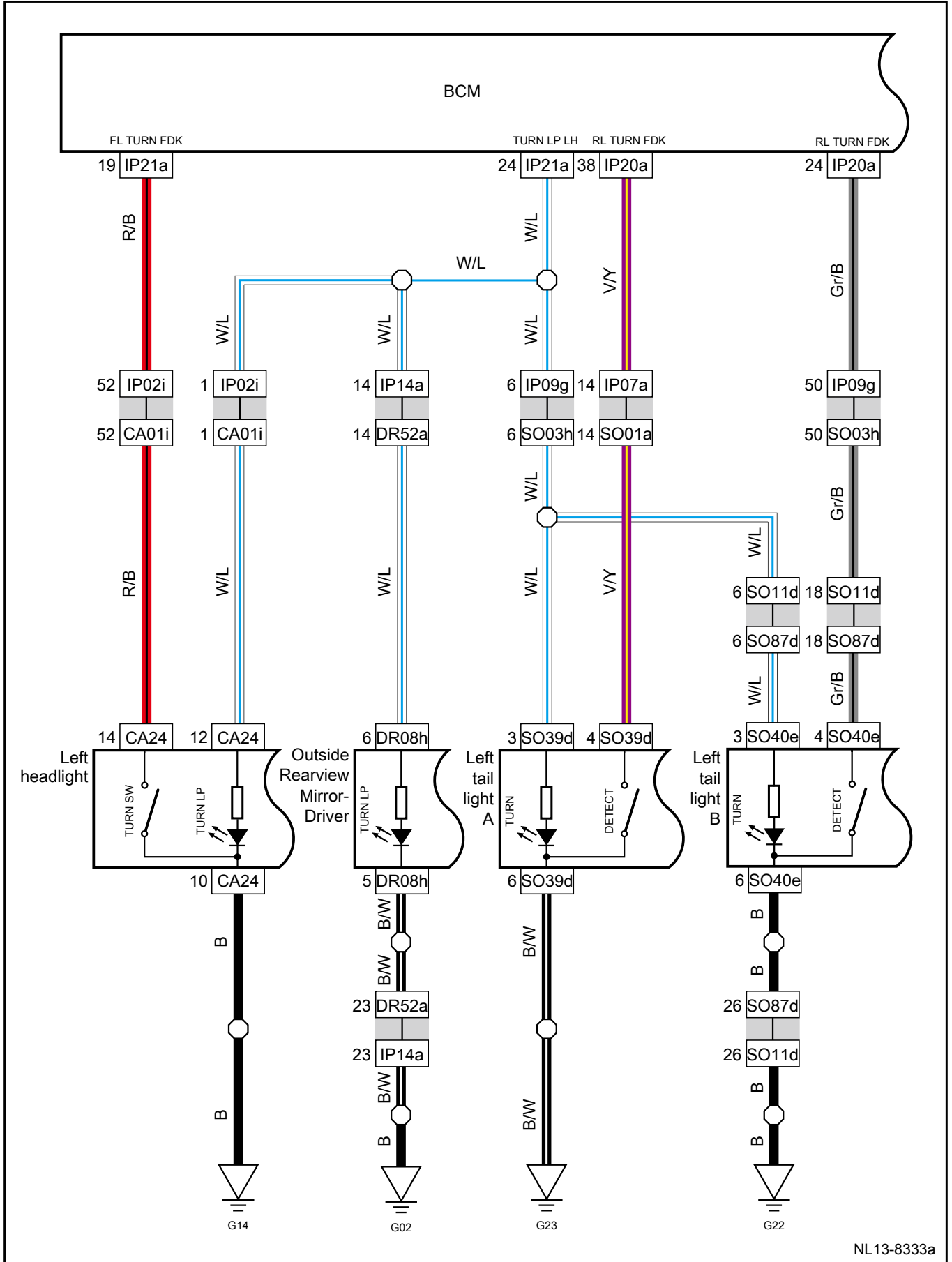
Harness connector	Name	Page
CA02h	Engine compartment to instrument panel harness connector 2	30
CA24	Left headlight harness connector	29
CA41	Right headlight harness connector	32
CA173a	Engine compartment to front-end module harness connector	29
CA174a	Front-end module to engine compartment harness connector	32
IP03h	Instrument panel to engine compartment harness connector 2	78
IP20a	Body control module harness connector 1	78
IP22a	Body control module harness connector 3	78
IP39a	Clock spring harness connector A	79
IP56	Hazard warning switch harness connector	78
IP112	Gateway harness connector	78
IP121	Intelligent electrical junction boxes harness connector G	78
IP223a	JC34 harness connector	78
G02	Instrument panel harness grounding	195

Turn signal light, Hazard warning light 2 (type 1)



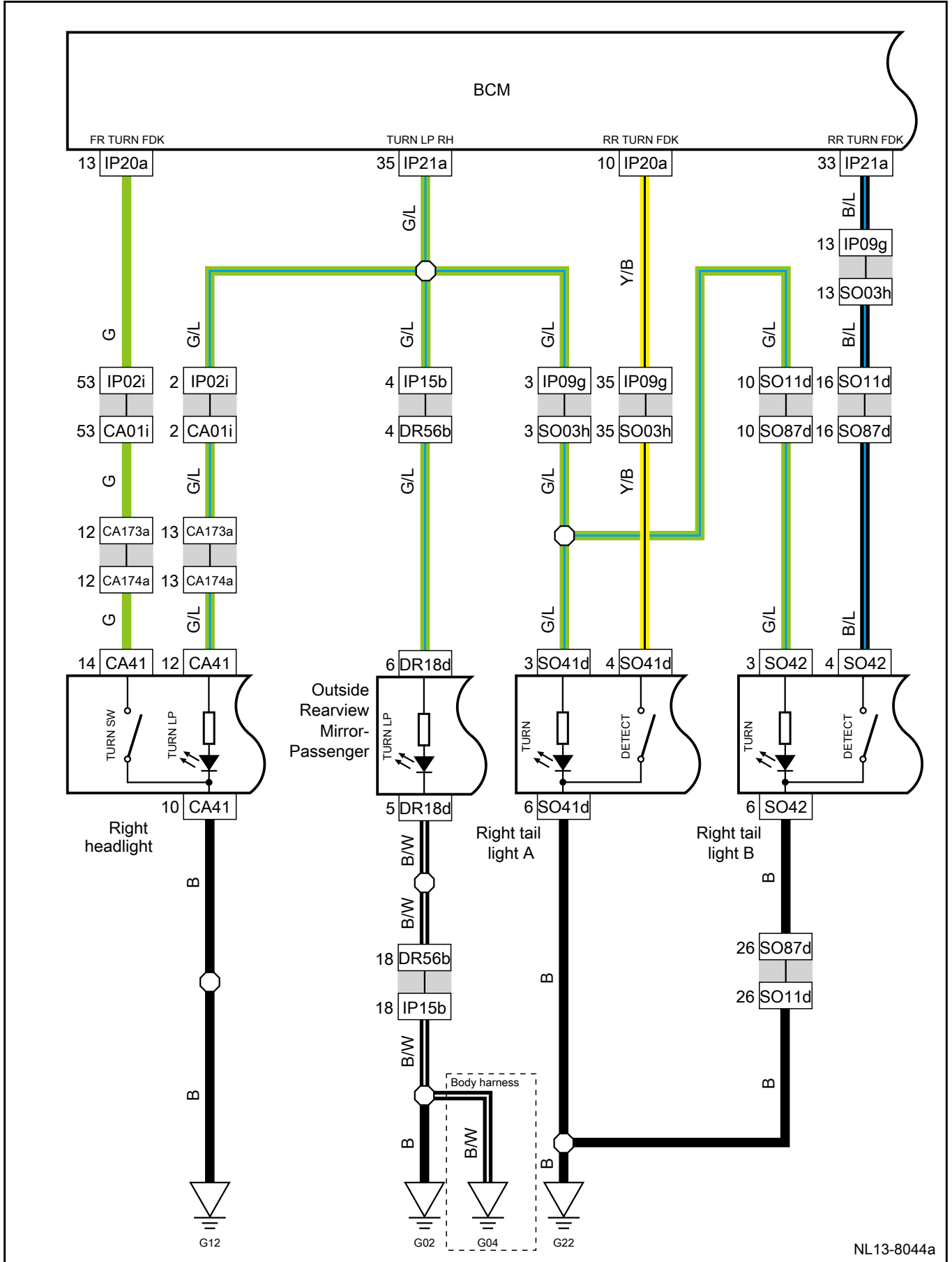
Harness connector	Name	Page
CA01i	Engine compartment to instrument panel harness connector 1	30
CA02h	Engine compartment to instrument panel harness connector 2	30
CA24	Left headlight harness connector	29
DR08d	Outside Rearview Mirror-Driver harness connector 1	171
DR52a	Driver side door to instrument panel harness connector 2	171
IP02i	Instrument panel to engine compartment harness connector 1	78
IP03h	Instrument panel to engine compartment harness connector 2	78
IP07a	Instrument panel to floor harness connector 1	78
IP09g	Instrument panel to floor harness connector 3	80
IP14a	Instrument panel to driver side door harness connector 2	78
IP20a	Body control module harness connector 1	78
IP21a	Body control module harness connector 2	78
SO01a	Floor to instrument panel harness connector 1	123
SO03h	Floor to instrument panel harness connector 3	124
SO11d	Floor to trunk door harness connector A	124
SO39d	Left tail light harness connector A	124
SO40e	Left tail light harness connector B	126
SO87d	Trunk door to floor harness connector A	126
G02	Instrument panel harness grounding	195
G14	Engine compartment harness grounding	191
G22	Floor harness grounding	196
G23	Floor harness grounding	196

Turn signal light, Hazard warning light 2 (type 2)



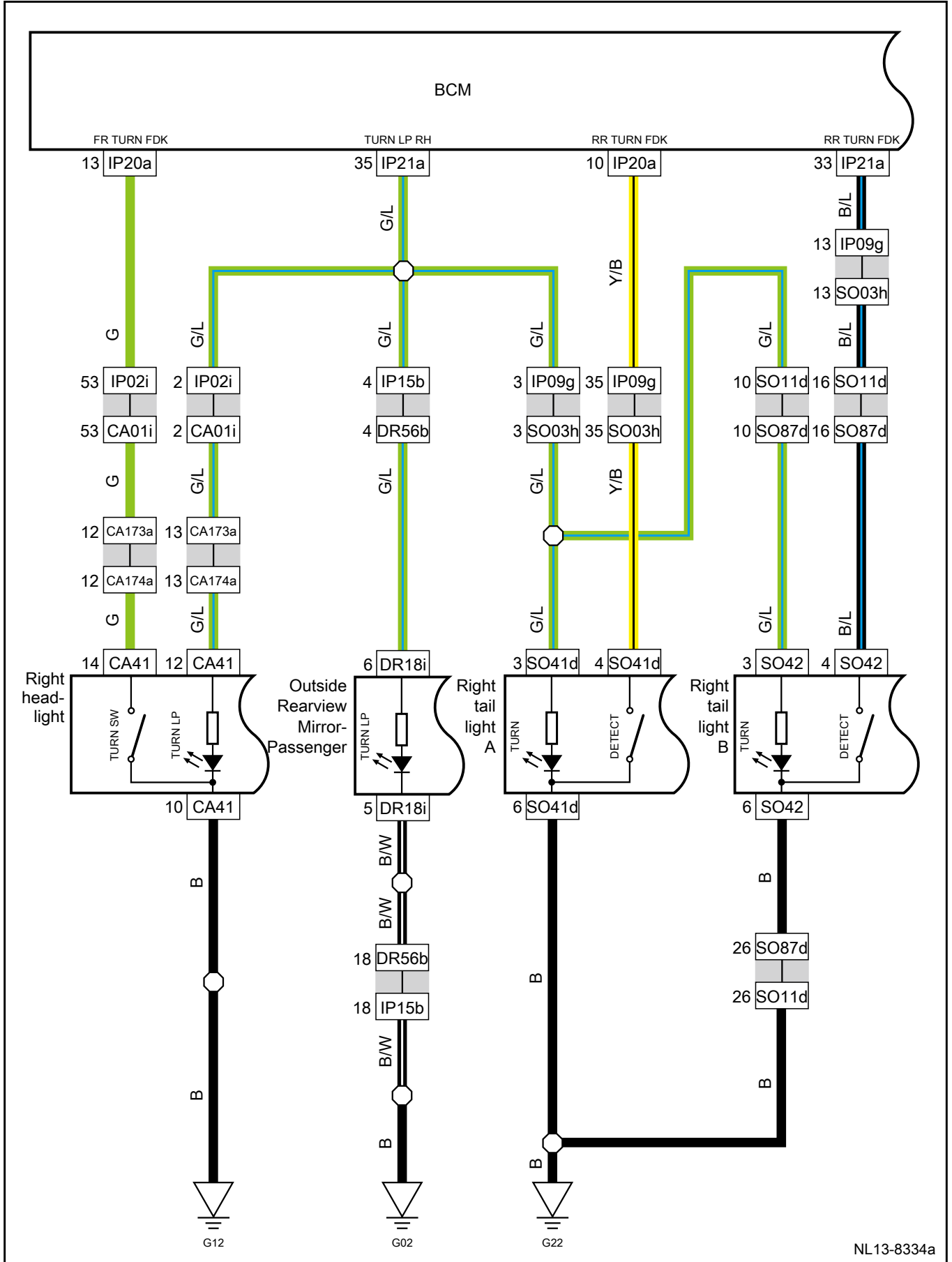
Harness connector	Name	Page
CA01i	Engine compartment to instrument panel harness connector 1	30
CA02h	Engine compartment to instrument panel harness connector 2	30
CA24	Left headlight harness connector	29
DR08h	Outside Rearview Mirror-Driver harness connector 1	171
DR52a	Driver side door to instrument panel harness connector 2	171
IP02i	Instrument panel to engine compartment harness connector 1	78
IP03h	Instrument panel to engine compartment harness connector 2	78
IP07a	Instrument panel to floor harness connector 1	78
IP09g	Instrument panel to floor harness connector 3	80
IP14a	Instrument panel to driver side door harness connector 2	78
IP20a	Body control module harness connector 1	78
IP21a	Body control module harness connector 2	78
SO01a	Floor to instrument panel harness connector 1	123
SO03h	Floor to instrument panel harness connector 3	124
SO11d	Floor to trunk door harness connector A	124
SO39d	Left tail light harness connector A	124
SO40e	Left tail light harness connector B	126
SO87d	Trunk door to floor harness connector A	126
G02	Instrument panel harness grounding	195
G14	Engine compartment harness grounding	191
G22	Floor harness grounding	196
G23	Floor harness grounding	196

Turn signal light, Hazard warning light 3 (type 1)



Harness connector	Name	Page
CA01i	Engine compartment to instrument panel harness connector 1	30
CA41	Right headlight harness connector	32
CA173a	Engine compartment to front-end module harness connector	29
CA174a	Front-end module to engine compartment harness connector	32
DR18d	Outside rearview mirror-passenger harness connector 1	172
DR56b	Passenger side door to instrument panel harness connector 1	172
IP02i	Instrument panel to engine compartment harness connector 1	78
IP09g	Instrument panel to floor harness connector 3	80
IP15b	Instrument panel to passenger side door harness connector 1	79
IP20a	Body control module harness connector 1	78
IP21a	Body control module harness connector 2	78
SO03h	Floor to instrument panel harness connector 3	124
SO11d	Floor to trunk door harness connector A	124
SO41d	Right tail light harness connector A	123
SO42	Right tail light harness connector B	126
SO87d	Trunk door to floor harness connector A	126
G02	Instrument panel harness grounding	195
G04	Instrument panel harness grounding	195
G12	Front-end module harness grounding	192
G22	Floor harness grounding	196

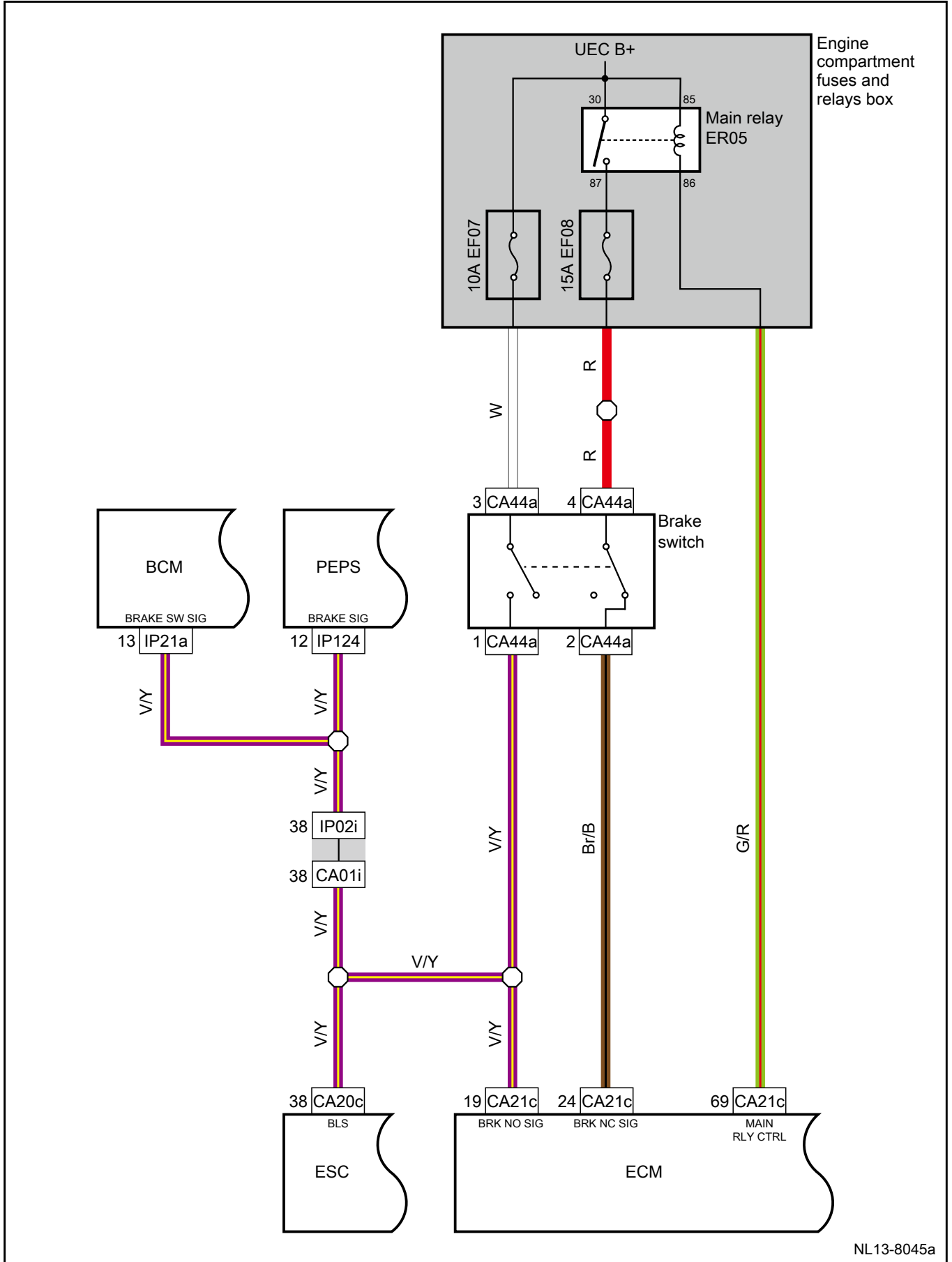
Turn signal light, Hazard warning light 3 (type 2)



NL13-8334a

Harness connector	Name	Page
CA01i	Engine compartment to instrument panel harness connector 1	30
CA41	Right headlight harness connector	32
CA173a	Engine compartment to front-end module harness connector	29
CA174a	Front-end module to engine compartment harness connector	32
DR18i	Outside rearview mirror-passenger harness connector 1	172
DR56b	Passenger side door to instrument panel harness connector 1	172
IP02i	Instrument panel to engine compartment harness connector 1	78
IP09g	Instrument panel to floor harness connector 3	80
IP15b	Instrument panel to passenger side door harness connector 1	79
IP20a	Body control module harness connector 1	78
IP21a	Body control module harness connector 2	78
SO03h	Floor to instrument panel harness connector 3	124
SO11d	Floor to trunk door harness connector A	124
SO41d	Right tail light harness connector A	123
SO42	Right tail light harness connector B	126
SO87d	Trunk door to floor harness connector A	126
G02	Instrument panel harness grounding	195
G04	Instrument panel harness grounding	195
G12	Front-end module harness grounding	192
G22	Floor harness grounding	196

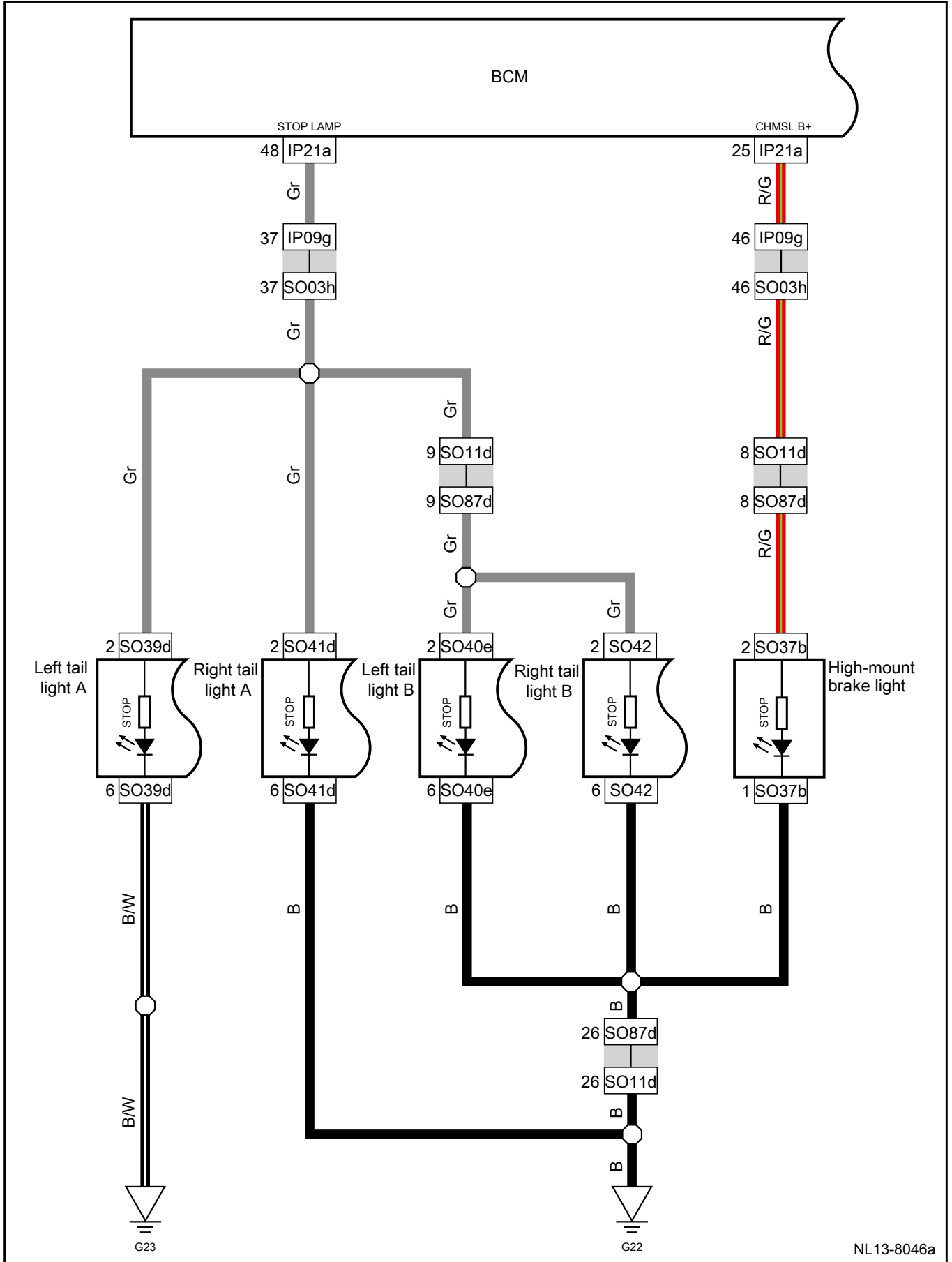
Brake light 1



---

Harness connector	Name	Page
CA01i	Engine compartment to instrument panel harness connector 1	30
CA20c	Electronic stability control system harness connector	29
CA21c	Engine control module harness connector 2	29
CA44a	Brake switch harness connector	30
IP02i	Instrument panel to engine compartment harness connector 1	78
IP21a	Body control module harness connector 2	78
IP124	Passive entry passive start control module harness connector 1	80

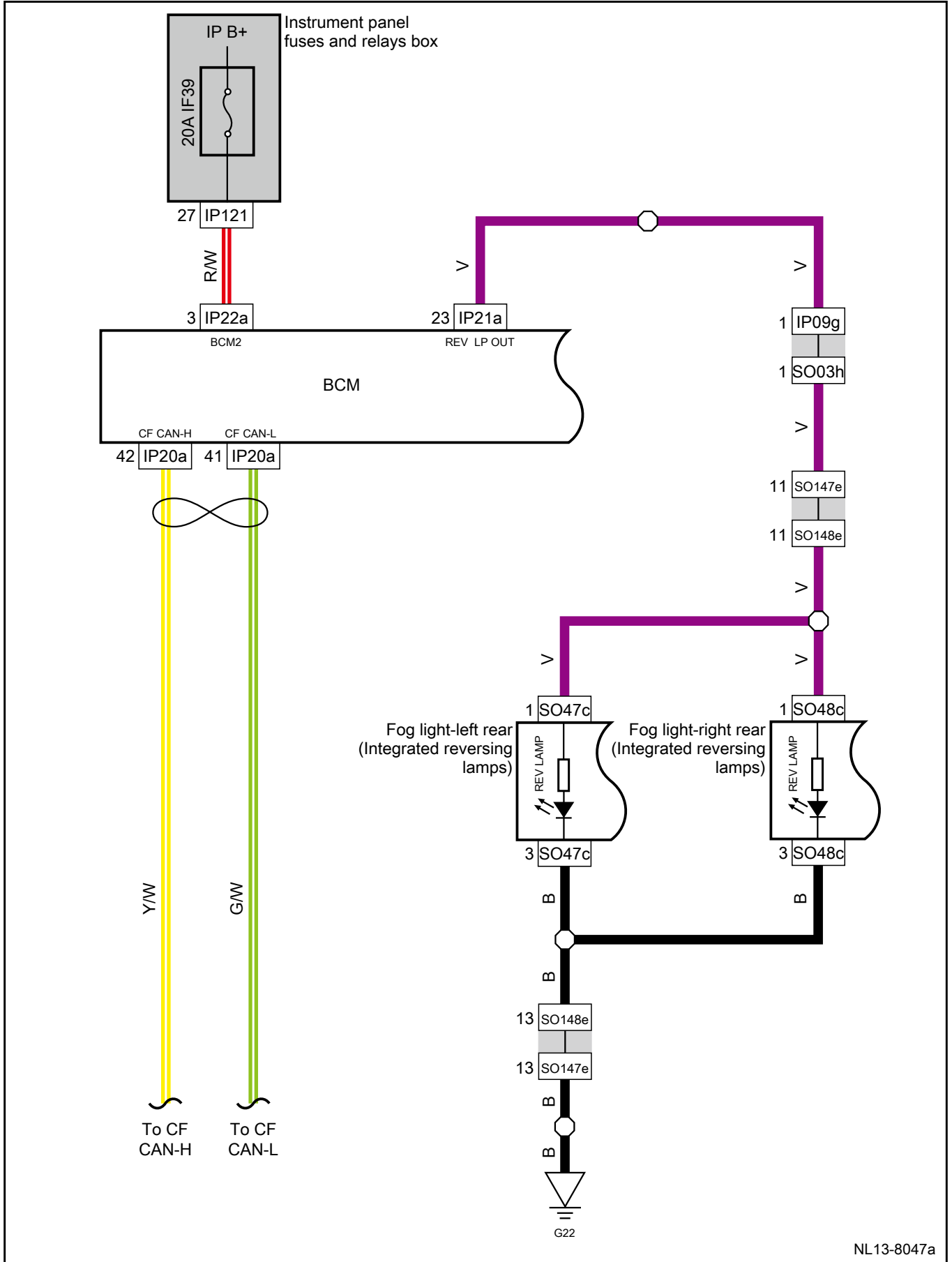
Brake light 2



NL13-8046a

Harness connector	Name	Page
IP09g	Instrument panel to floor harness connector 3	80
IP21a	Body control module harness connector 2	78
SO03h	Floor to instrument panel harness connector 3	124
SO11d	Floor to trunk door harness connector A	124
SO37b	High-mount brake light harness connector	126
SO39d	Left tail light harness connector A	124
SO40e	Left tail light harness connector B	126
SO41d	Right tail light harness connector A	123
SO42	Right tail light harness connector B	126
SO87d	Trunk door to floor harness connector A	126
G22	Floor harness grounding	196
G23	Floor harness grounding	196

Backup light

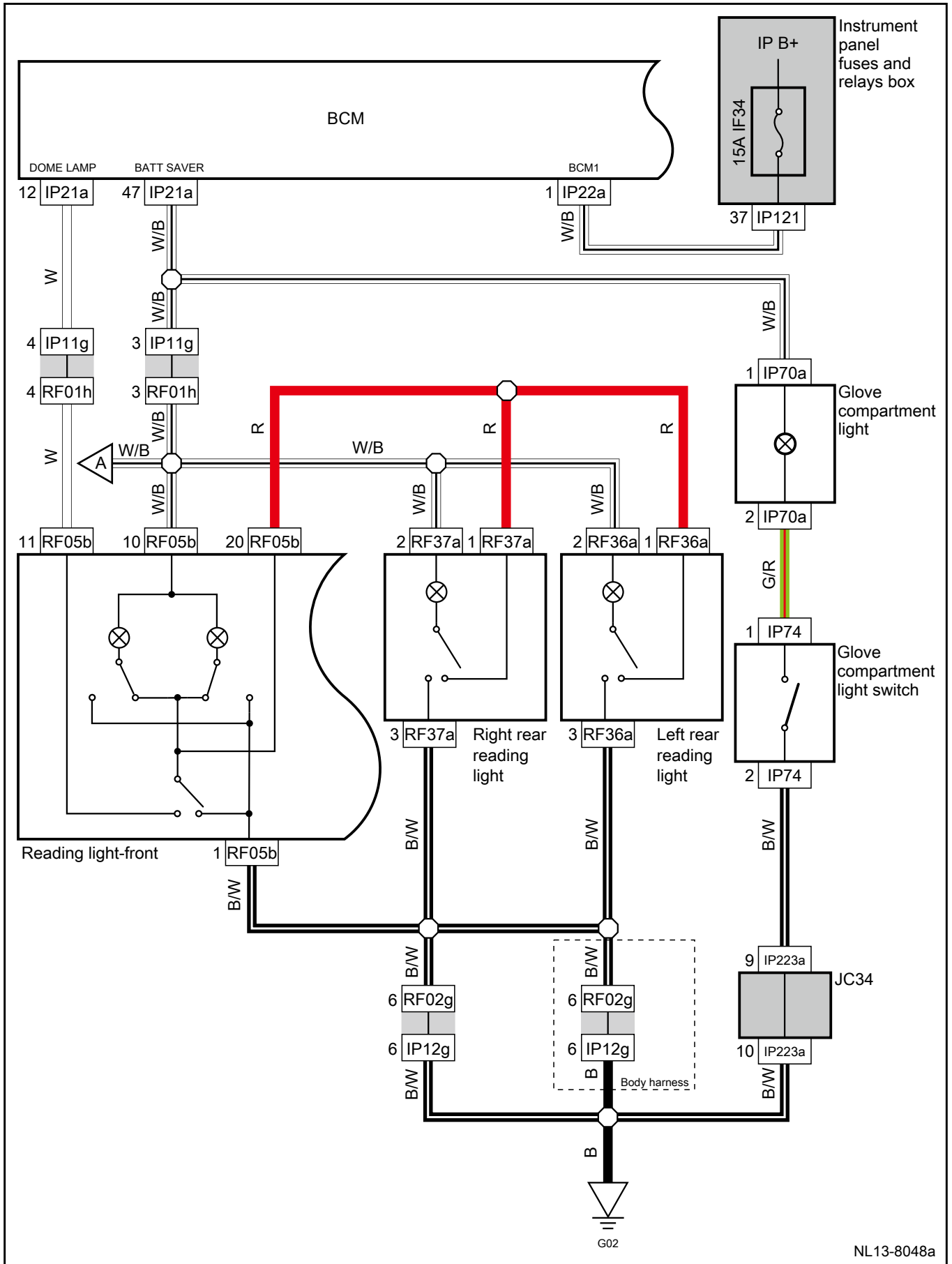


NL13-8047a

Harness connector	Name	Page
IP09g	Instrument panel to floor harness connector 3	80
IP20a	Body control module harness connector 1	78
IP21a	Body control module harness connector 2	78
IP22a	Body control module harness connector 3	78
IP121	Intelligent electrical junction boxes harness connector G	78
SO03h	Floor to instrument panel harness connector 3	124
SO47c	Left rear fog light harness connector	127
SO48c	Right rear fog light harness connector	127
SO147e	Floor to rear harness connector	124
SO148e	Rear to floor harness connector	127
G22	Floor harness grounding	196

Join point	Explanations	Page
IP20a-42	To CF CAN-H	600,602
IP20a-41	To CF CAN-L	600,602

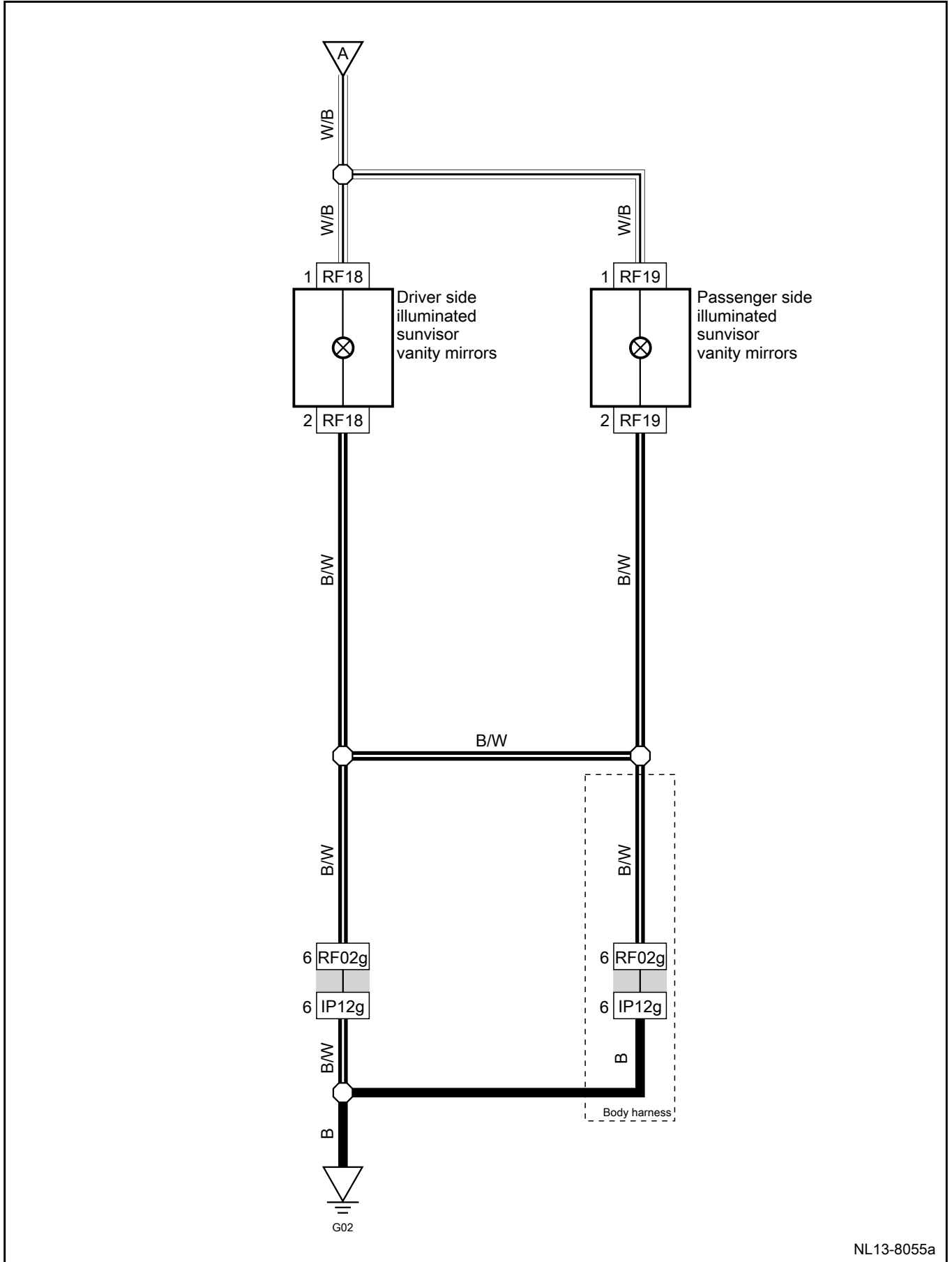
Interior lighting 1



Harness connector	Name	Page
IP11g	Instrument panel to roof harness connector 1	80
IP12g	Instrument panel to roof harness connector 2	78
IP21a	Body control module harness connector 2	78
IP22a	Body control module harness connector 3	78
IP70a	Glove compartment light harness connector	80
IP74	Glove compartment light switch harness connector	78
IP121	Intelligent electrical junction boxes harness connector G	78
IP223a	JC34 harness connector	78
RF01h	Roof to instrument panel harness connector 1	117
RF02g	Roof to instrument panel harness connector 2	117
RF05b	Front reading light harness connector	117
RF36a	Left rear reading light harness connector	117
RF37a	Right rear reading light harness connector	117
G02	Instrument panel harness grounding	195

Join point	Explanations	Page
A	To interior lighting 2	390

Interior lighting 2



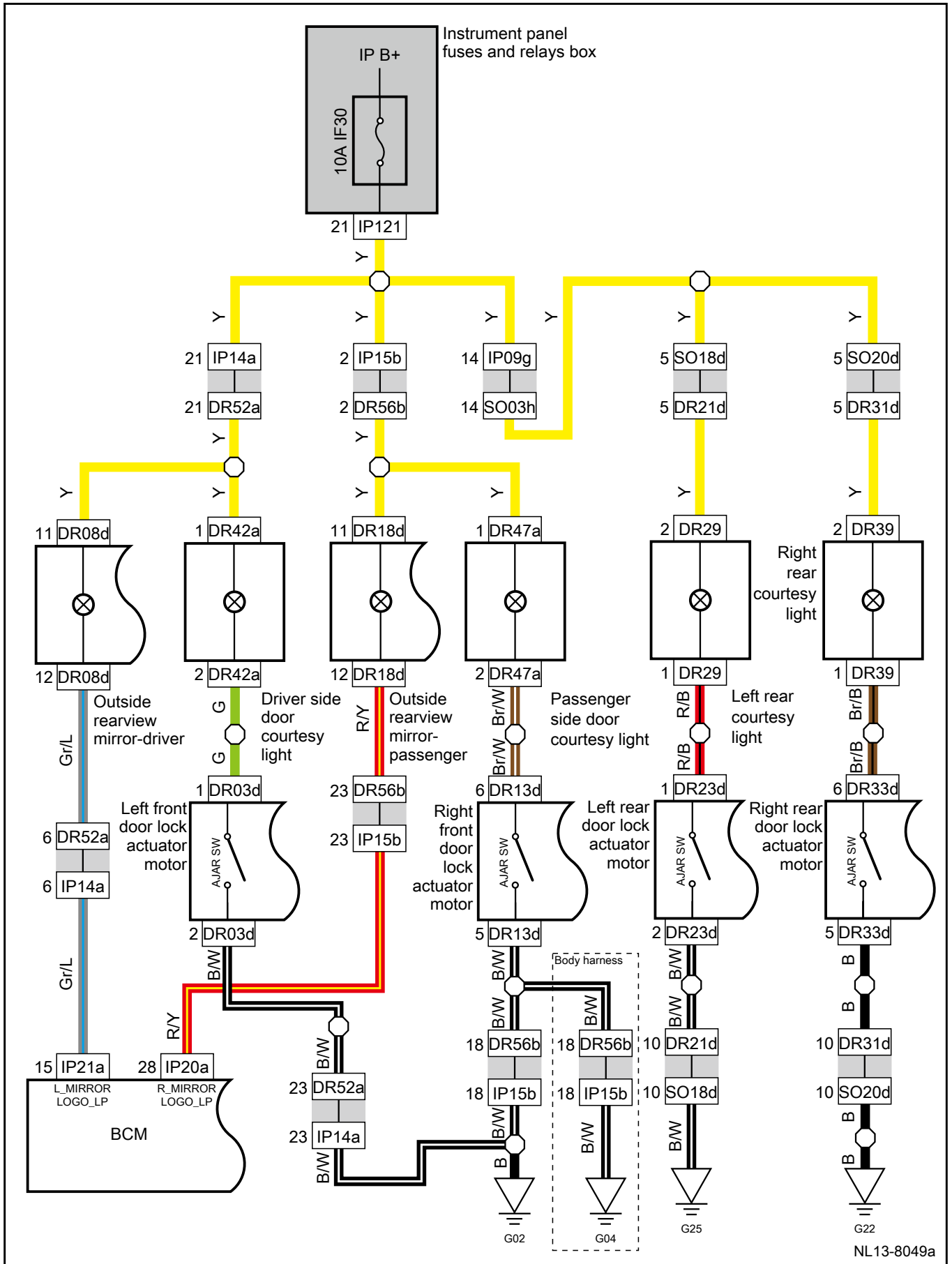
NL13-8055a

---

Harness connector	Name	Page
IP12g	Instrument panel to roof harness connector 2	78
RF02g	Roof to instrument panel harness connector 2	117
RF18	Driver side vanity mirror light harness connector	117
RF19	Passenger side vanity mirror light harness connector	117
G02	Instrument panel harness grounding	195

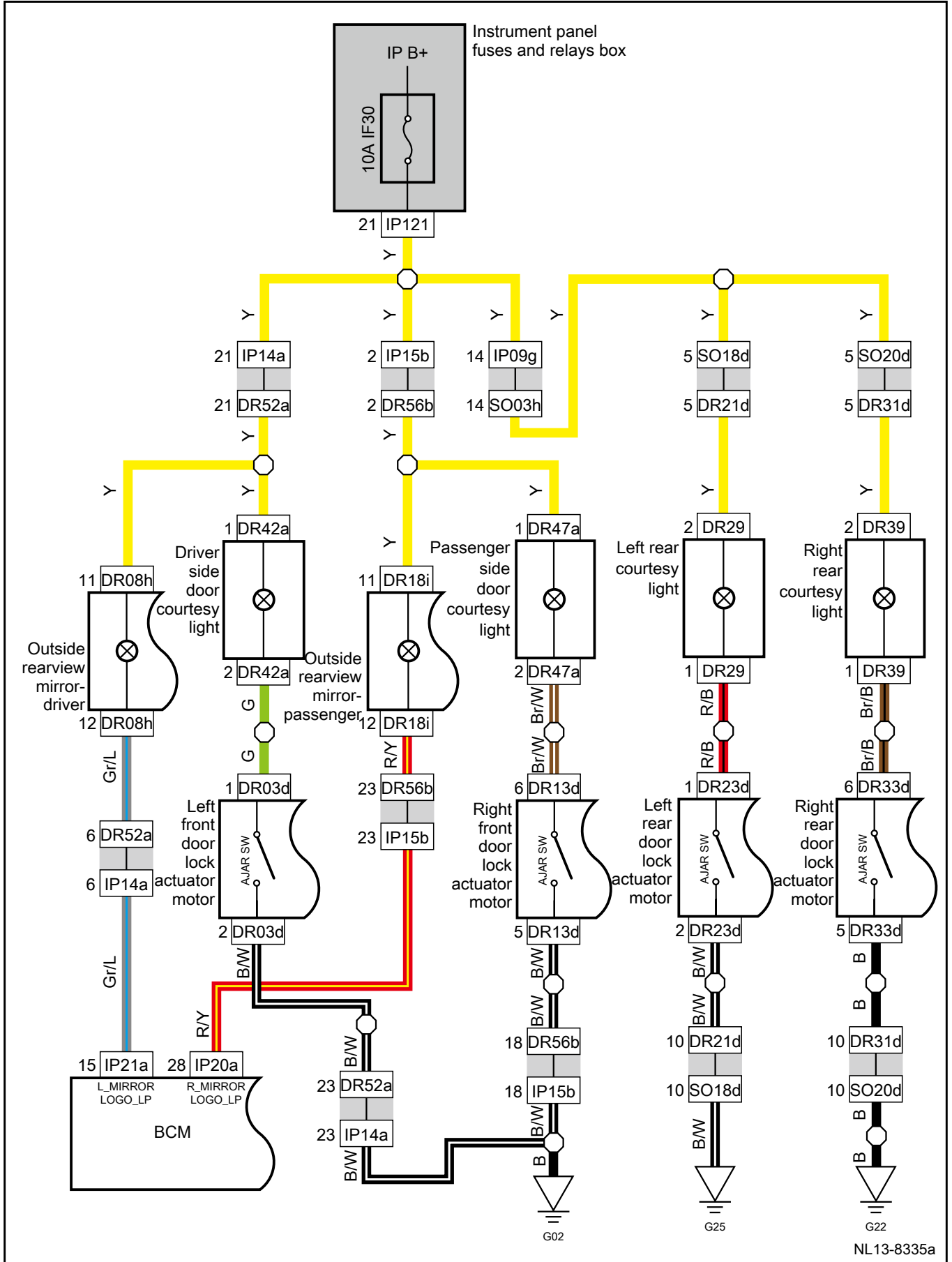
Join point	Explanations	Page
A	To interior lighting 1	388

Courtesy light (type 1)



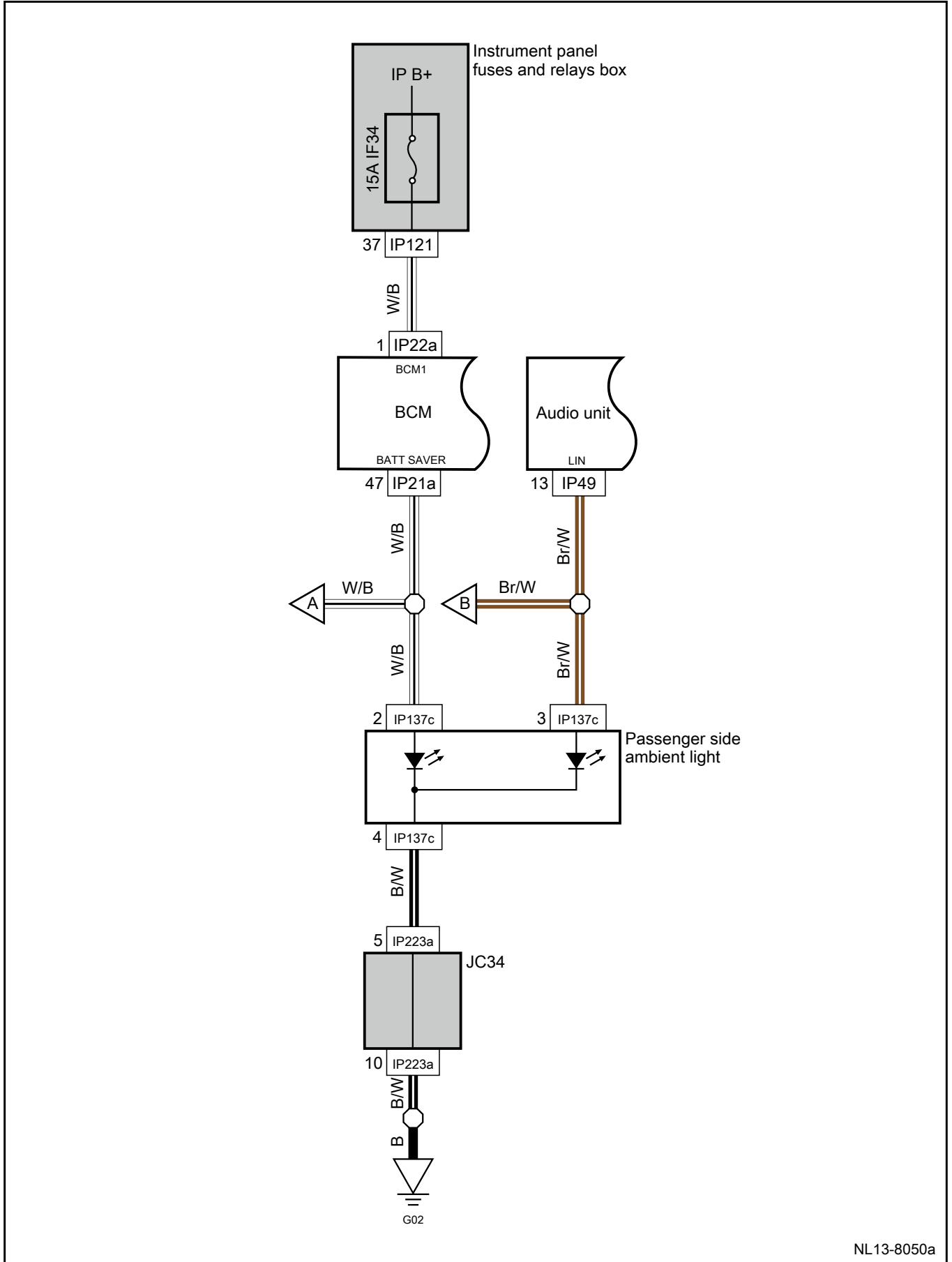
Harness connector	Name	Page
DR03d	Driver side door lock actuator motor harness connector	171
DR08d	Outside Rearview Mirror-Driver harness connector 1	171
DR13d	Passenger side door lock actuator motor harness connector	172
DR18d	Outside rearview mirror-passenger harness connector 1	172
DR21d	Left rear door to floor harness connector	173
DR23d	Left rear door lock actuator motor harness connector	173
DR29	Left rear courtesy light harness connector	173
DR31d	Right rear door to floor harness connector	174
DR33d	Right rear door lock actuator motor harness connector	174
DR39	Right rear courtesy light harness connector	174
DR42a	Driver side door courtesy light harness connector	171
DR47a	Passenger side door courtesy light harness connector	172
DR52a	Driver side door to instrument panel harness connector 2	171
DR56b	Passenger side door to instrument panel harness connector 1	172
IP09g	Instrument panel to floor harness connector 3	80
IP14a	Instrument panel to driver side door harness connector 2	78
IP15b	Instrument panel to passenger side door harness connector 1	79
IP20a	Body control module harness connector 1	78
IP21a	Body control module harness connector 2	78
IP121	Intelligent electrical junction boxes harness connector G	78
SO03h	Floor to instrument panel harness connector 3	124
SO18d	Floor to left rear door harness connector	123
SO20d	Floor to right rear door harness connector	124
G02	Instrument panel harness grounding	195
G04	Instrument panel harness grounding	195
G22	Floor harness grounding	196
G25	Floor harness grounding	196

Courtesy light (type 2)



Harness connector	Name	Page
DR03d	Driver side door lock actuator motor harness connector	171
DR08h	Outside Rearview Mirror-Driver harness connector 1	171
DR13d	Passenger side door lock actuator motor harness connector	172
DR18i	Outside rearview mirror-passenger harness connector 1	172
DR21d	Left rear door to floor harness connector	173
DR23d	Left rear door lock actuator motor harness connector	173
DR29	Left rear courtesy light harness connector	173
DR31d	Right rear door to floor harness connector	174
DR33d	Right rear door lock actuator motor harness connector	174
DR39	Right rear courtesy light harness connector	174
DR42a	Driver side door courtesy light harness connector	171
DR47a	Passenger side door courtesy light harness connector	172
DR52a	Driver side door to instrument panel harness connector 2	171
DR56b	Passenger side door to instrument panel harness connector 1	172
IP09g	Instrument panel to floor harness connector 3	80
IP14a	Instrument panel to driver side door harness connector 2	78
IP15b	Instrument panel to passenger side door harness connector 1	79
IP20a	Body control module harness connector 1	78
IP21a	Body control module harness connector 2	78
IP121	Intelligent electrical junction boxes harness connector G	78
SO03h	Floor to instrument panel harness connector 3	124
SO18d	Floor to left rear door harness connector	123
SO20d	Floor to right rear door harness connector	124
G02	Instrument panel harness grounding	195
G04	Instrument panel harness grounding	195
G22	Floor harness grounding	196
G25	Floor harness grounding	196

Ambient light 1



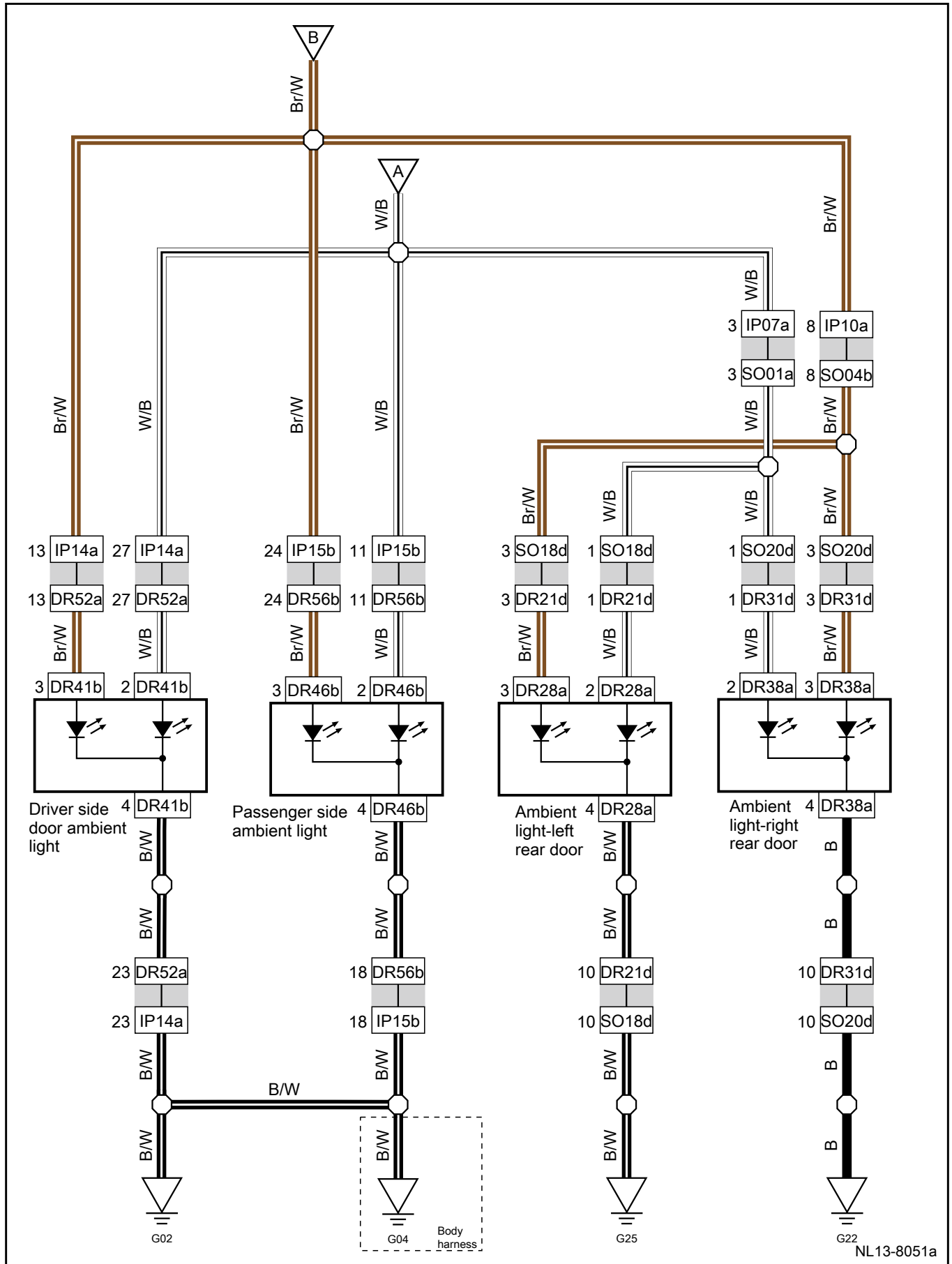
NL13-8050a

---

Harness connector	Name	Page
IP21a	Body control module harness connector 2	78
IP22a	Body control module harness connector 3	78
IP49	Multimedia harness connector C	80
IP121	Intelligent electrical junction boxes harness connector G	78
IP137c	Passenger side ambient light harness connector	79
IP223a	JC34 harness connector	78
G02	Instrument panel harness grounding	195

Join point	Explanations	Page
A	To ambient light 2	398
B	To ambient light 2	398

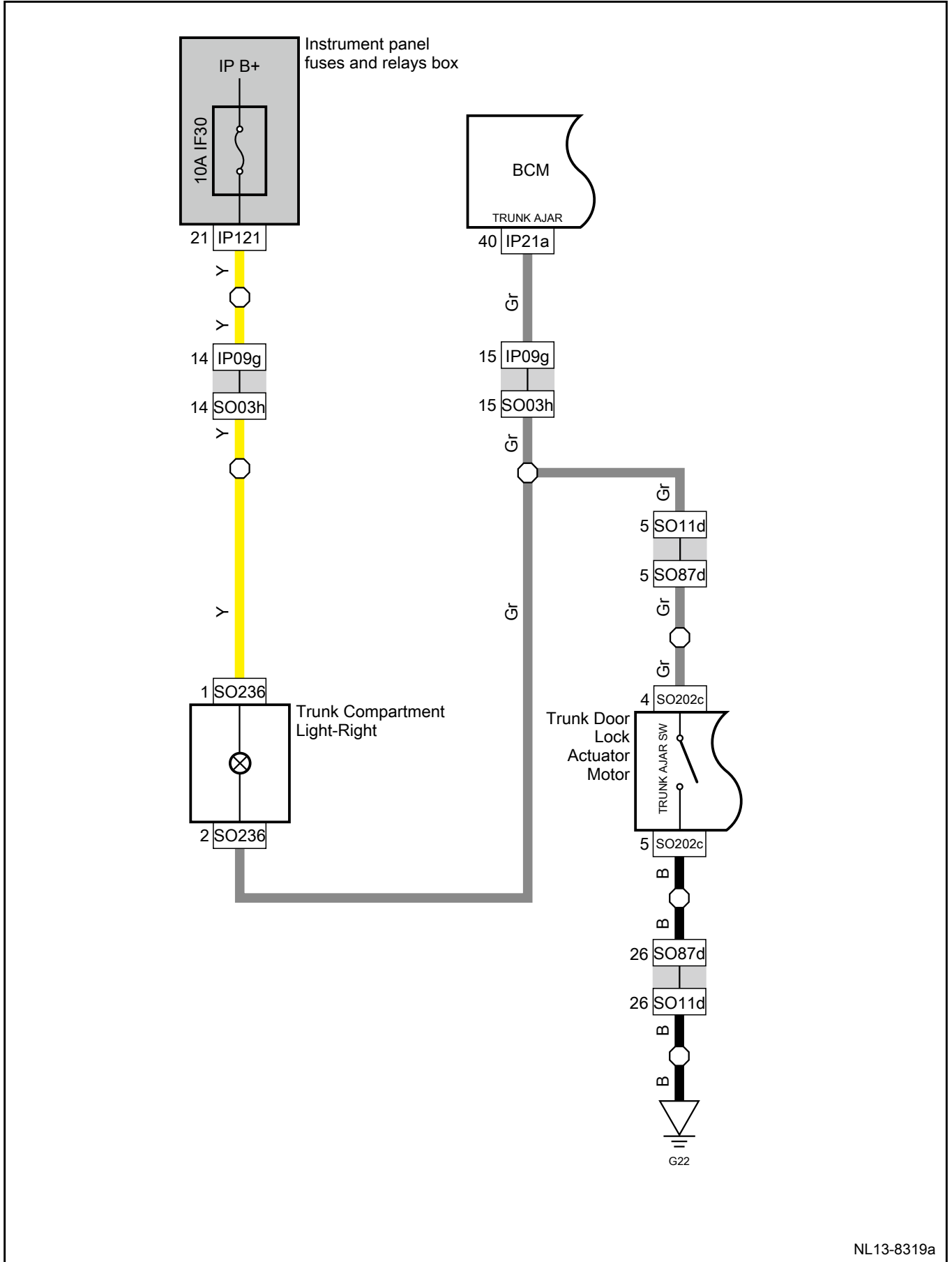
Ambient light 2



Harness connector	Name	Page
DR21d	Left rear door to floor harness connector	173
DR28a	Left rear door ambient light harness connector	173
DR31d	Right rear door to floor harness connector	174
DR38a	Right rear door ambient light harness connector	174
DR41b	Driver side door ambient light harness connector	171
DR46b	Passenger side door ambient light harness connector	172
DR52a	Driver side door to instrument panel harness connector 2	171
DR56b	Passenger side door to instrument panel harness connector 1	172
IP07a	Instrument panel to floor harness connector 1	78
IP10a	Instrument panel to floor harness connector 4	79
IP14a	Instrument panel to driver side door harness connector 2	78
IP15b	Instrument panel to passenger side door harness connector 1	79
SO01a	Floor to instrument panel harness connector 1	123
SO04b	Floor to instrument panel harness connector 4	124
SO18d	Floor to left rear door harness connector	123
SO20d	Floor to right rear door harness connector	124
G02	Instrument panel harness grounding	195
G04	Instrument panel harness grounding	195
G22	Floor harness grounding	196
G25	Floor harness grounding	196

Join point	Explanations	Page
A	To ambient light 1	396
B	To ambient light 1	396

Trunk compartment light

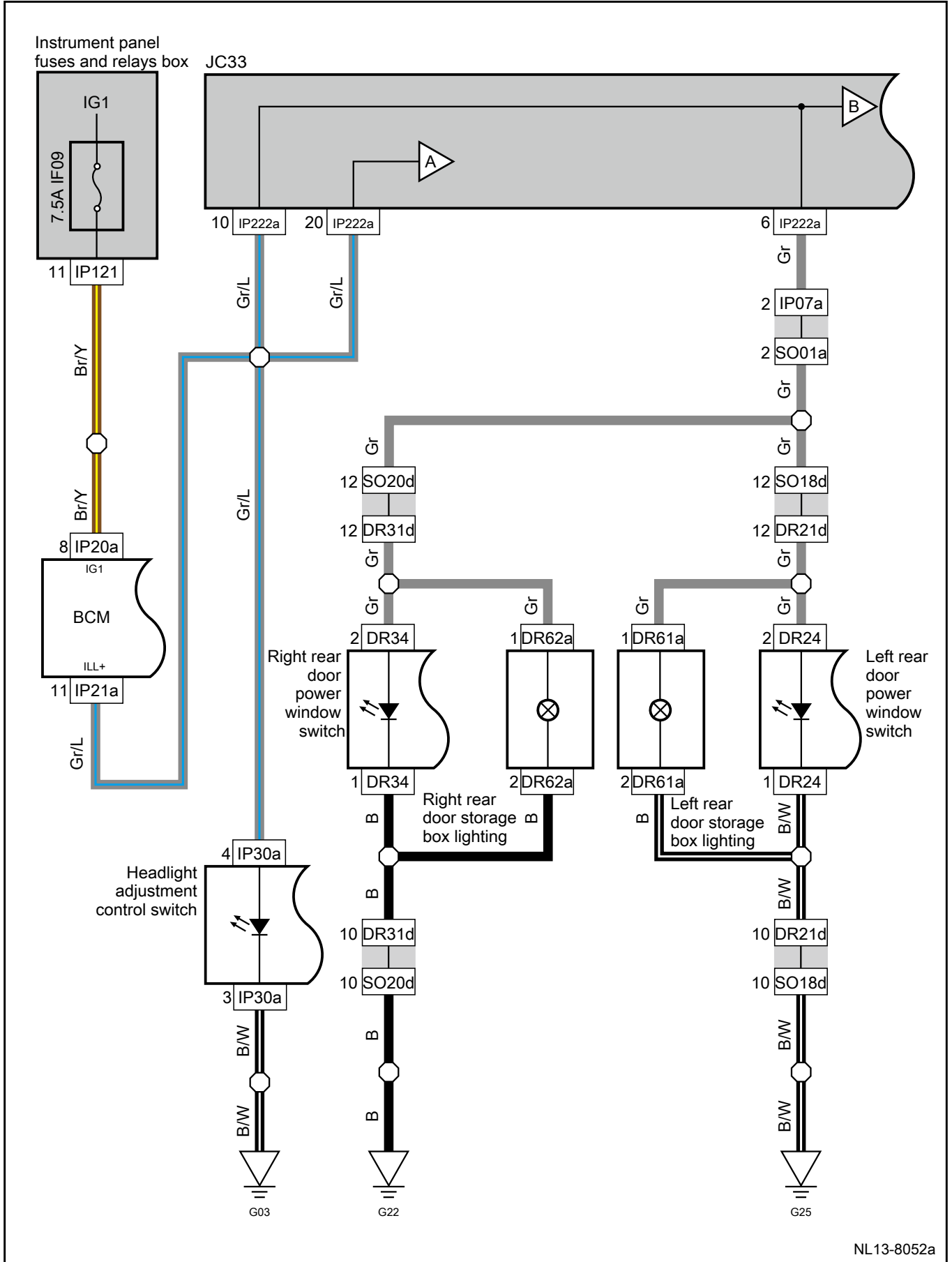


NL13-8319a

---

Harness connector	Name	Page
IP09g	Instrument panel to floor harness connector 3	80
IP21a	Body control module harness connector 2	78
IP121	Intelligent electrical junction boxes harness connector G	78
SO03h	Floor to instrument panel harness connector 3	124
SO11d	Floor to trunk door harness connector A	124
SO87d	Trunk door to floor harness connector A	126
SO202c	Trunk door lock actuator motor harness connector	126
SO236	Trunk compartment light-right harness connector	123
G22	Floor harness grounding	196

Backlighting 1

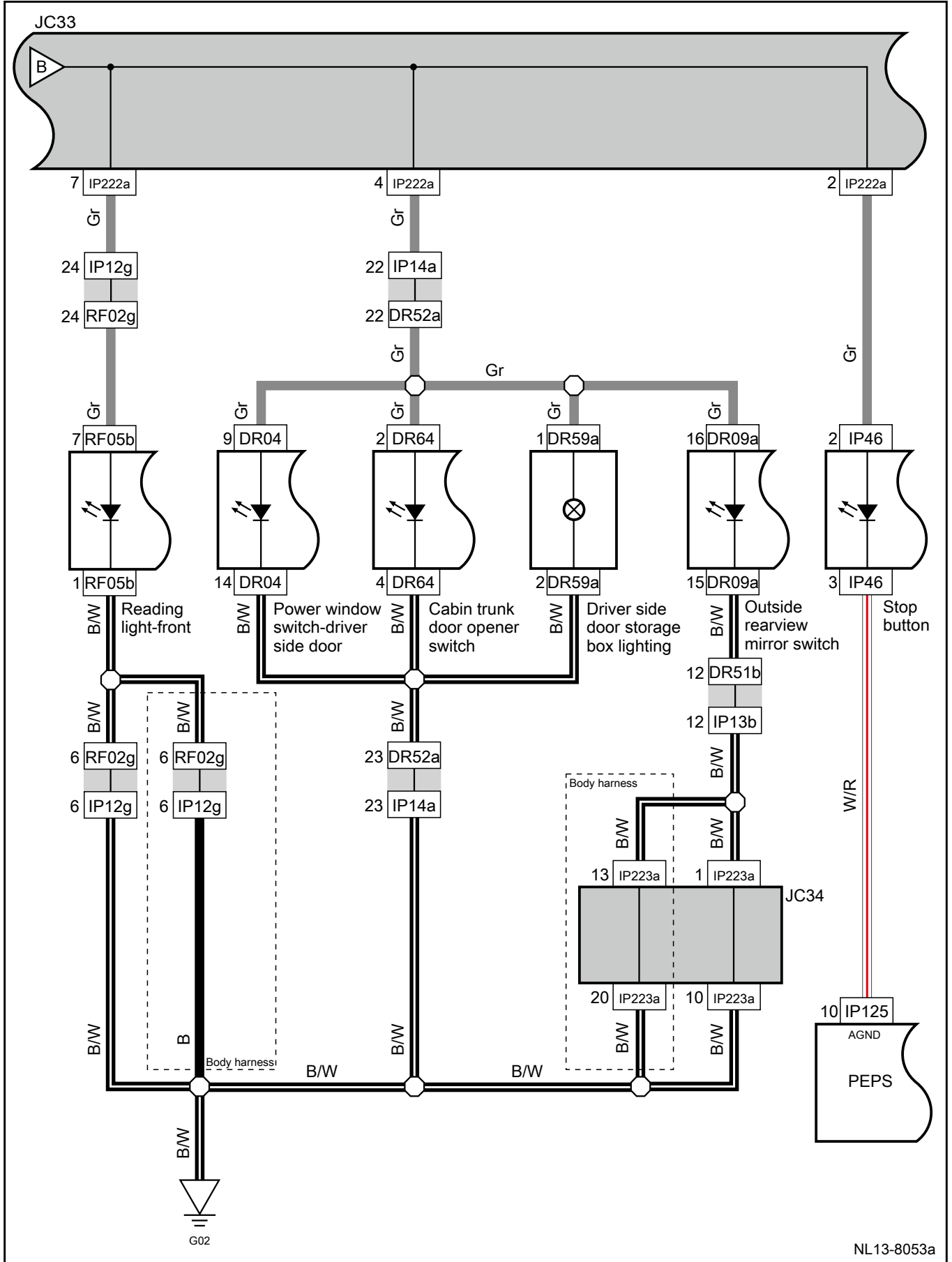


NL13-8052a

Harness connector	Name	Page
DR21d	Left rear door to floor harness connector	173
DR24	Left rear door power window switch harness connector	173
DR31d	Right rear door to floor harness connector	174
DR34	Right rear door power window switch harness connector	174
DR61a	Left rear door storage box lighting harness connector	173
DR62a	Right rear door storage box lighting harness connector	174
IP07a	Instrument panel to floor harness connector 1	78
IP20a	Body control module harness connector 1	78
IP21a	Body control module harness connector 2	78
IP30a	Headlight adjustment control switch harness connector	78
IP121	Intelligent electrical junction boxes harness connector G	78
IP222a	JC33 harness connector	78
SO01a	Floor to instrument panel harness connector 1	123
SO18d	Floor to left rear door harness connector	123
SO20d	Floor to right rear door harness connector	124
G03	Instrument panel harness grounding	195
G22	Floor harness grounding	196
G25	Floor harness grounding	196

Join point	Explanations	Page
A	To Backlighting 3	406
	To Backlighting 5	410
B	To Backlighting 2	404
	To Backlighting 3	406
	To Backlighting 4	408

Backlighting 2

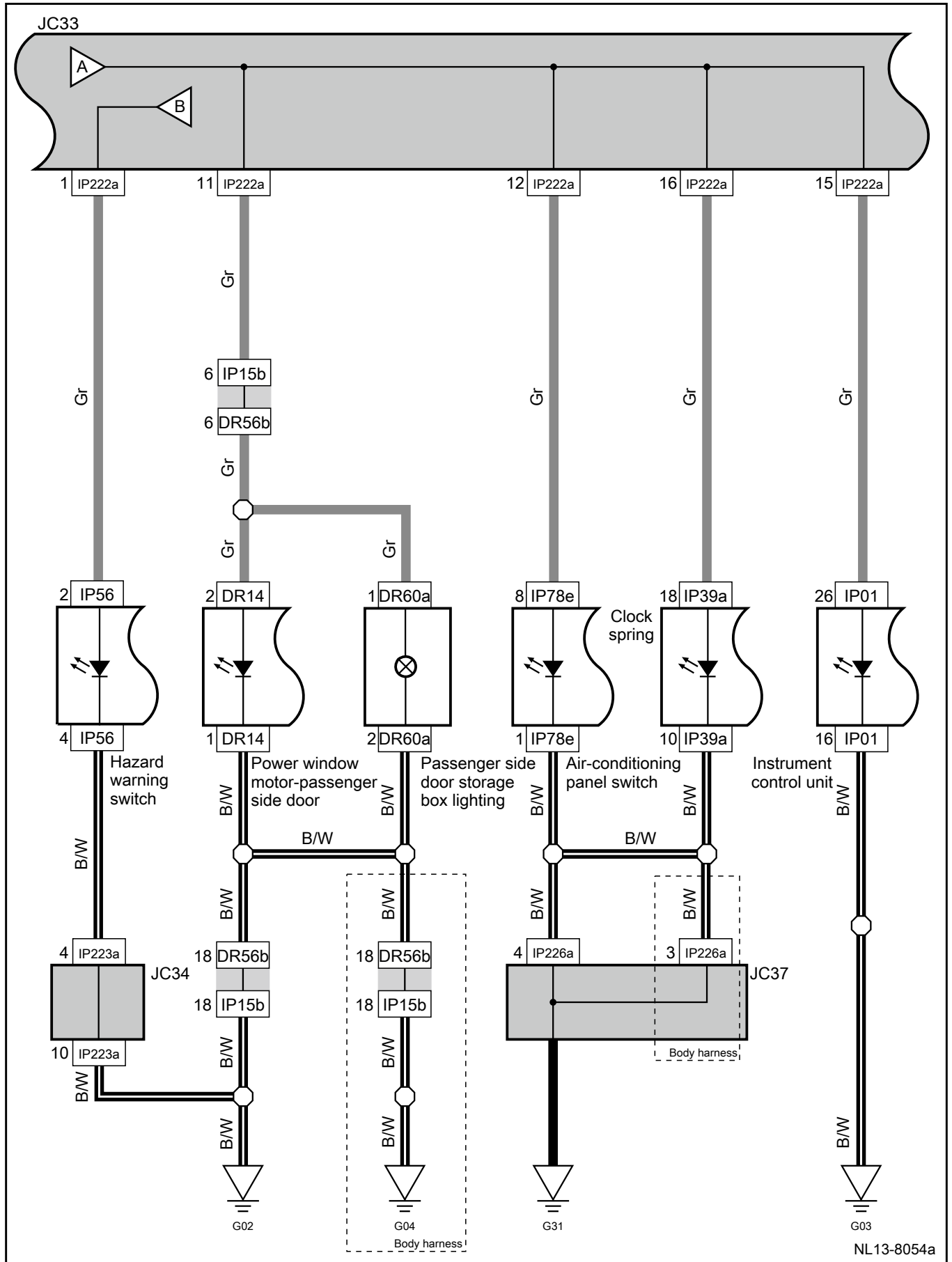


NL13-8053a

Harness connector	Name	Page
DR04	Driver side door power window switch harness connector	171
DR09a	Outside rearview mirror switch harness connector	171
DR51b	Driver side door to instrument panel harness connector 1	171
DR52a	Driver side door to instrument panel harness connector 2	171
DR59a	Driver side door storage box lighting harness connector	171
DR64	Cabin trunk door opener switch harness connector	171
IP12g	Instrument panel to roof harness connector 2	78
IP13b	Instrument panel to driver side door harness connector 1	78
IP14a	Instrument panel to driver side door harness connector 2	78
IP46	Start/Stop button harness connector	80
IP125	Passive entry passive start control module harness connector 2	79
IP222a	JC33 harness connector	78
IP223a	JC34 harness connector	78
RF02g	Roof to instrument panel harness connector 2	117
RF05b	Front reading light harness connector	117
G02	Instrument panel harness grounding	195

Join point	Explanations	Page
B	To Backlighting 1	402

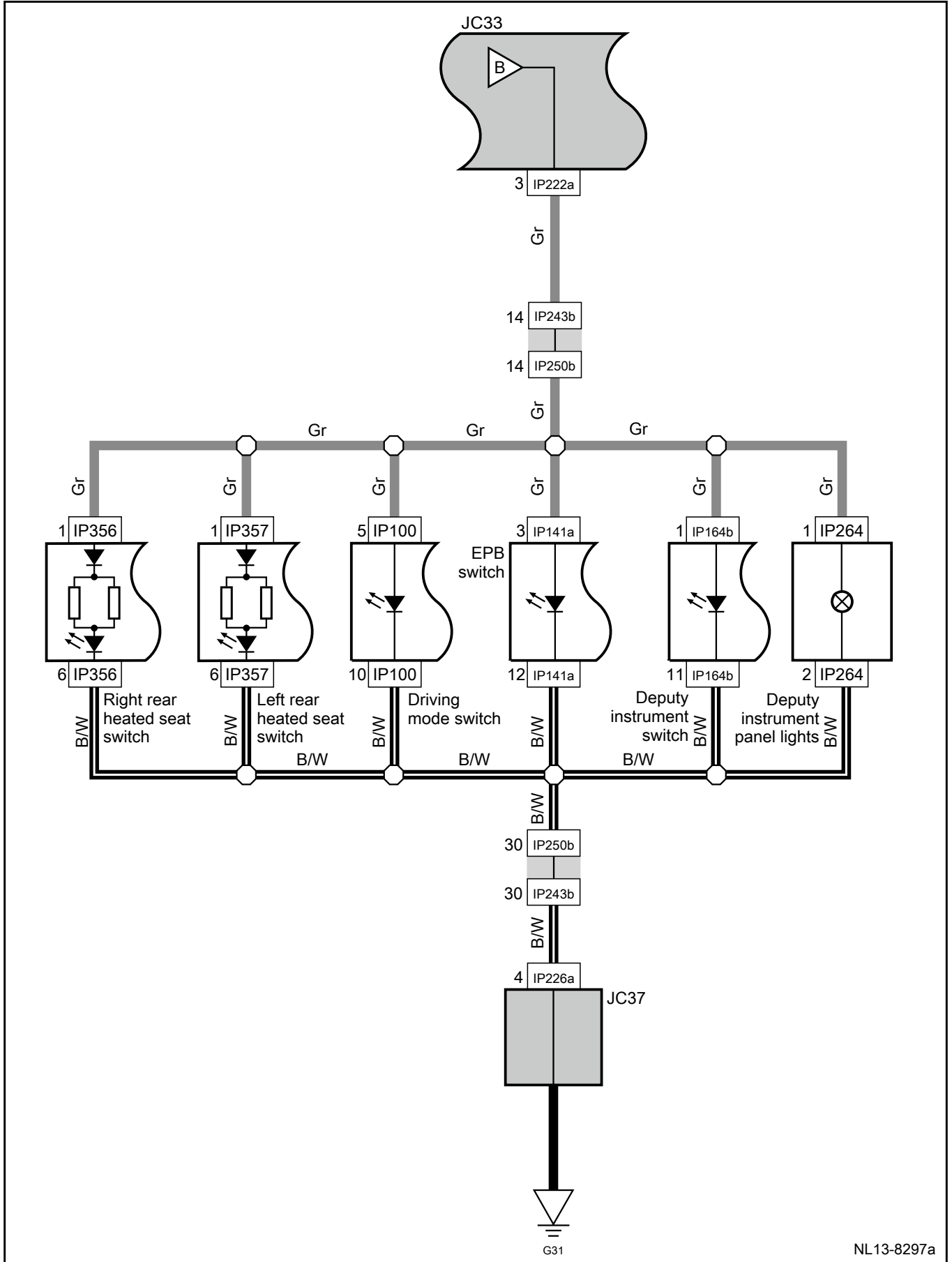
Backlighting 3



Harness connector	Name	Page
DR14	Passenger side door power window switch harness connector	172
DR56b	Passenger side door to instrument panel harness connector 1	172
DR60a	Passenger side door storage box lighting harness connector	172
IP01	Instrument control unit harness connector	78
IP15b	Instrument panel to passenger side door harness connector 1	79
IP39a	Clock spring harness connector A	79
IP56	Hazard warning switch harness connector	78
IP78e	Air-conditioning panel switch harness connector	80
IP222a	JC33 harness connector	78
IP223a	JC34 harness connector	78
IP226a	JC37 harness connector	78
G02	Instrument panel harness grounding	195
G03	Instrument panel harness grounding	195
G04	Instrument panel harness grounding	195
G31	Instrument panel harness grounding	195

Join point	Explanations	Page
A	To Backlighting 1	402
B	To Backlighting 1	402

Backlighting 4

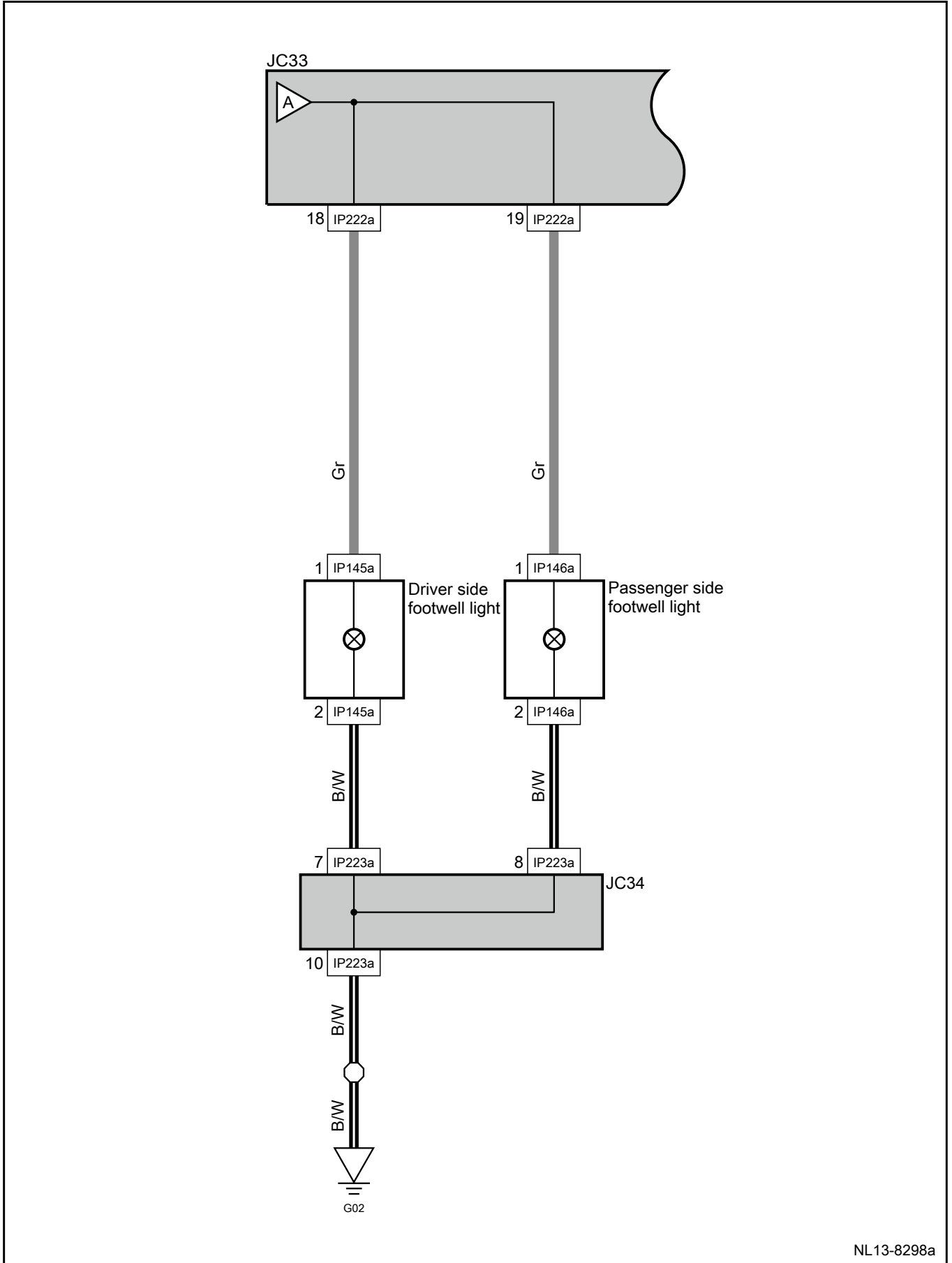


NL13-8297a

Harness connector	Name	Page
IP100	Driving mode switch harness connector	80
IP141a	EPB switch harness connector	82
IP164b	Deputy instrument switch harness connectors	82
IP222a	JC33 harness connector	78
IP226a	JC37 harness connector	78
IP243b	Instrument panel to Instrument-wire harness connector	78
IP250b	Instrument-wire to Instrument panel harness connector	82
IP264	Deputy instrument panel lights harness connector	82
IP356	Right rear heated seat switch harness connector	82
IP357	Left rear heated seat switch harness connector	82
G31	Instrument panel harness grounding	195

Join point	Explanations	Page
B	To Backlighting 1	402

Backlighting 5



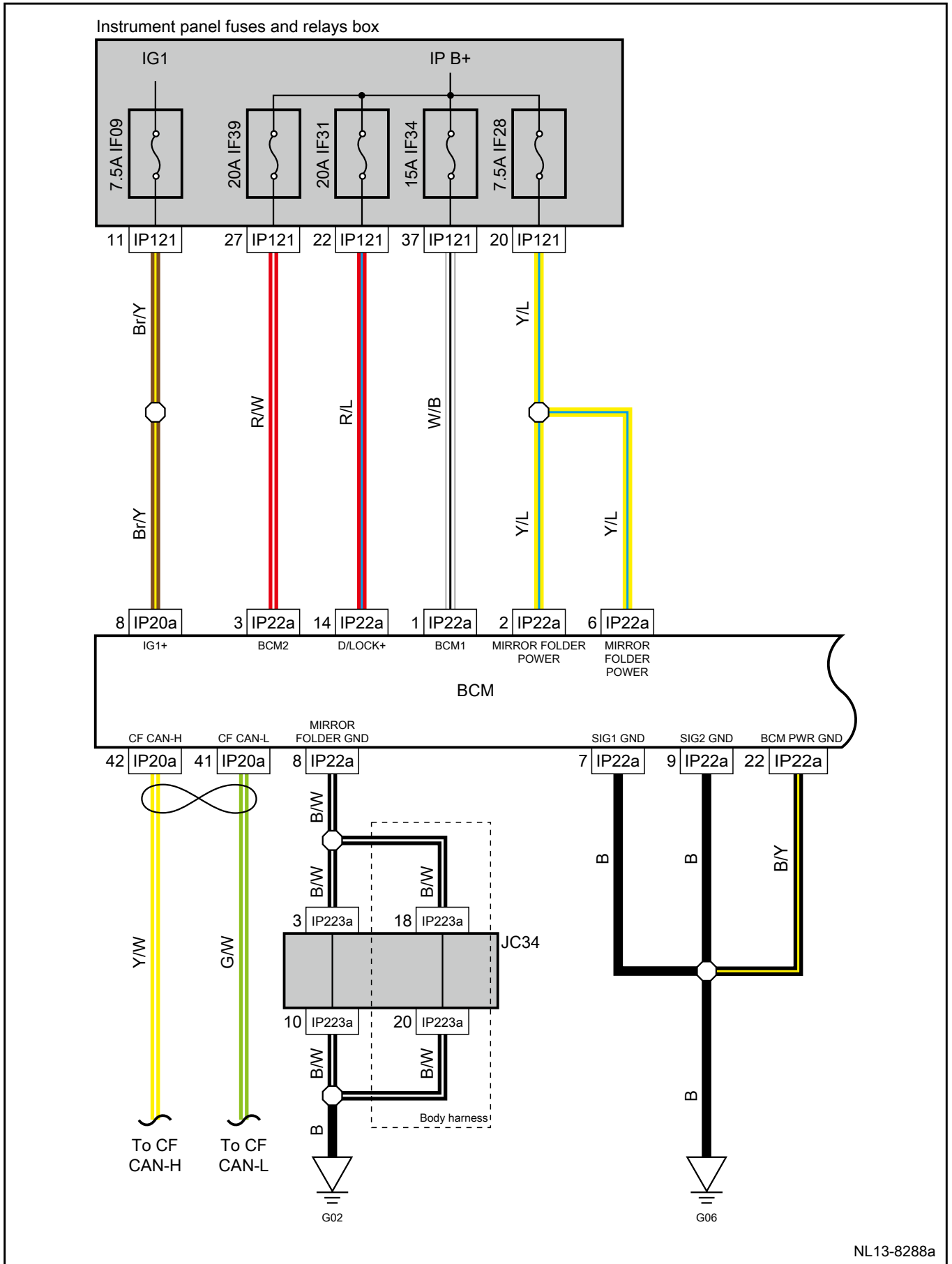
NL13-8298a

---

Harness connector	Name	Page
IP145a	Driver side footwell light harness connector	78
IP146a	Passenger side footwell light harness connector	80
IP222a	JC33 harness connector	78
IP223a	JC34 harness connector	78
G02	Instrument panel harness grounding	195

Join point	Explanations	Page
A	To Backlighting 1	402

Body Control Module

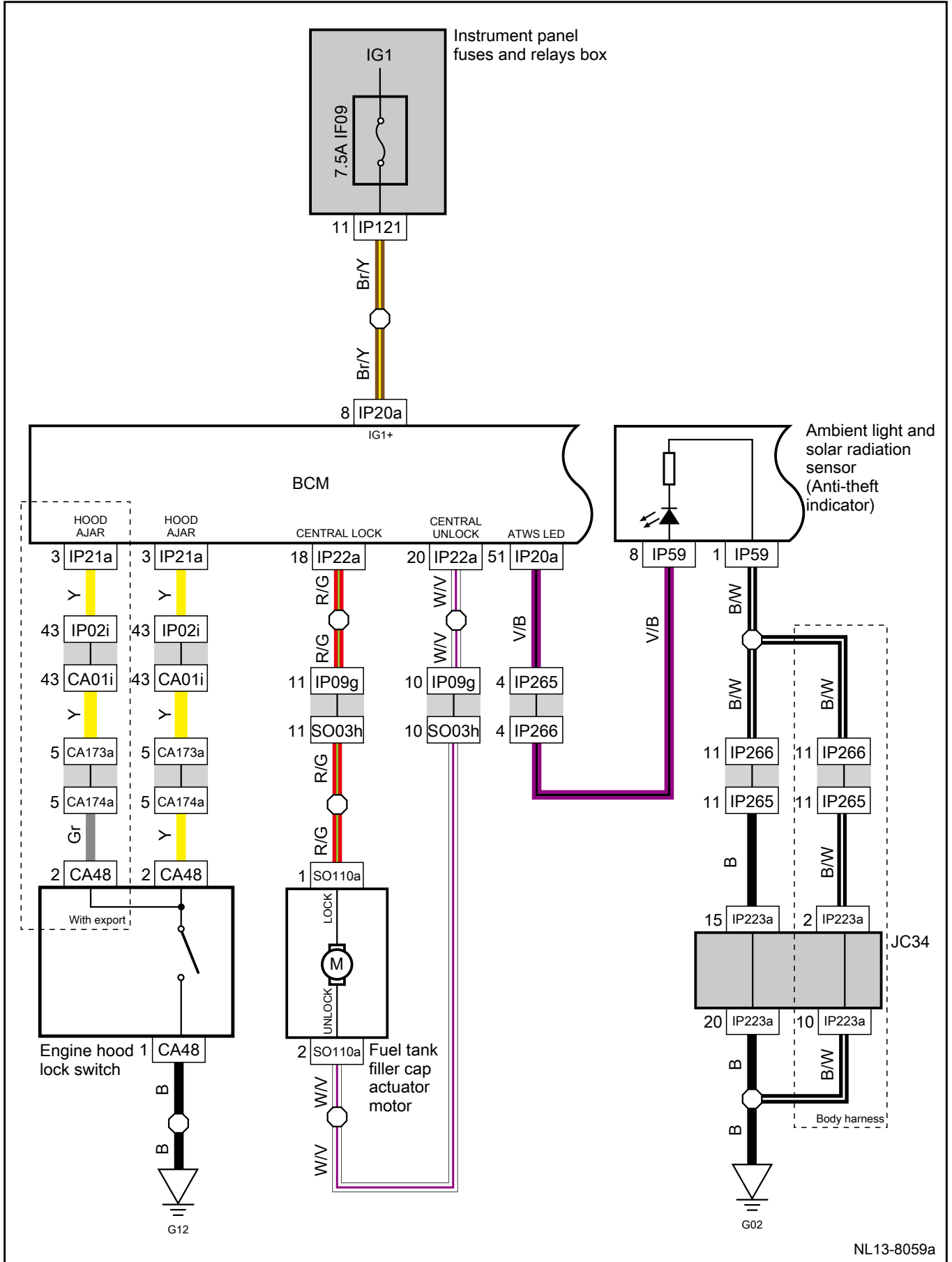


---

Harness connector	Name	Page
IP20a	Body control module harness connector 1	78
IP22a	Body control module harness connector 3	78
IP121	Intelligent electrical junction boxes harness connector G	78
IP223a	JC34 harness connector	78
G02	Instrument panel harness grounding	195
G06	Instrument panel harness grounding	195

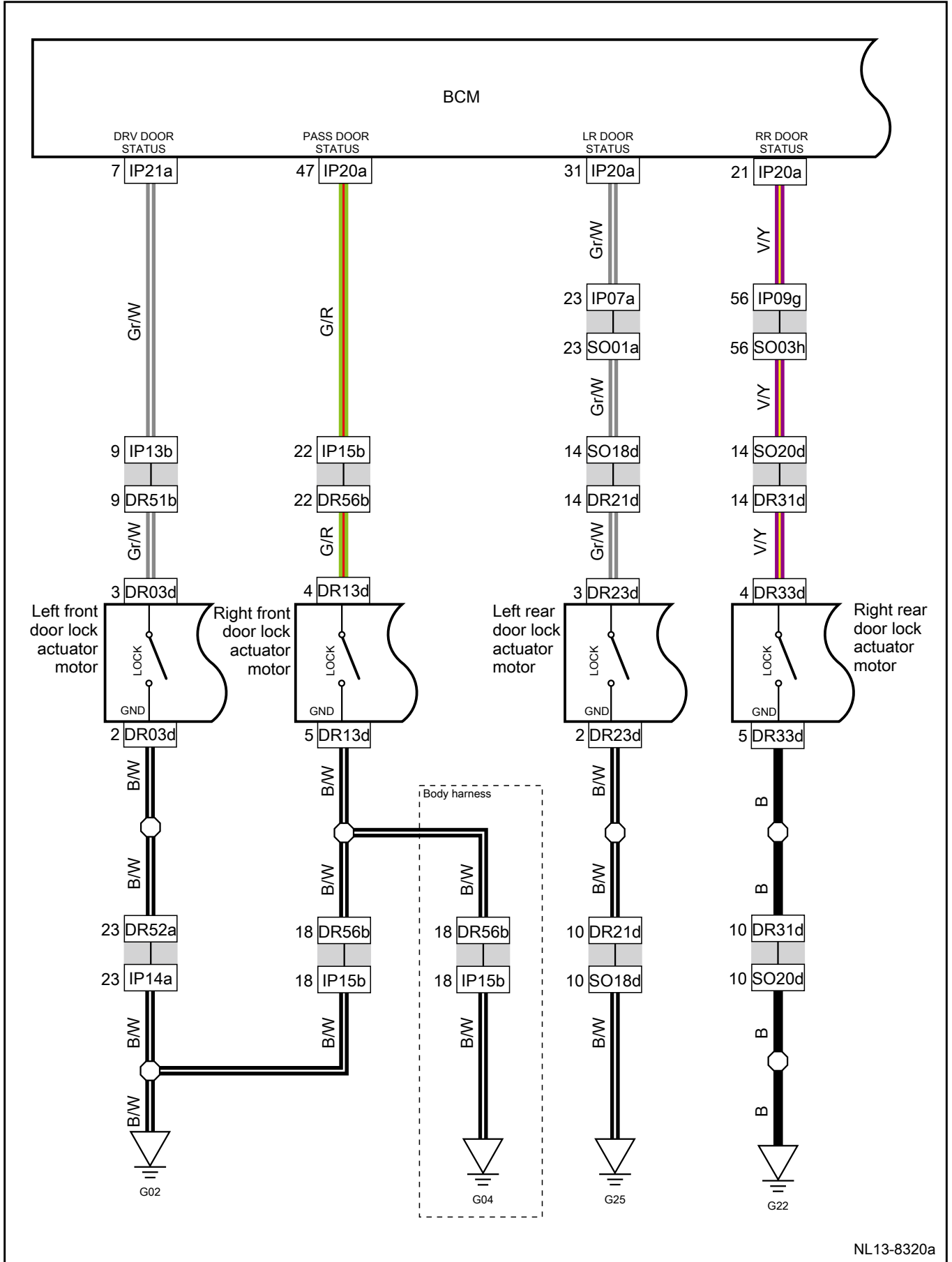
Join point	Explanations	Page
IP20a-42	To CF CAN-H	600
IP20a-41	To CF CAN-L	600

Anti-theft 1



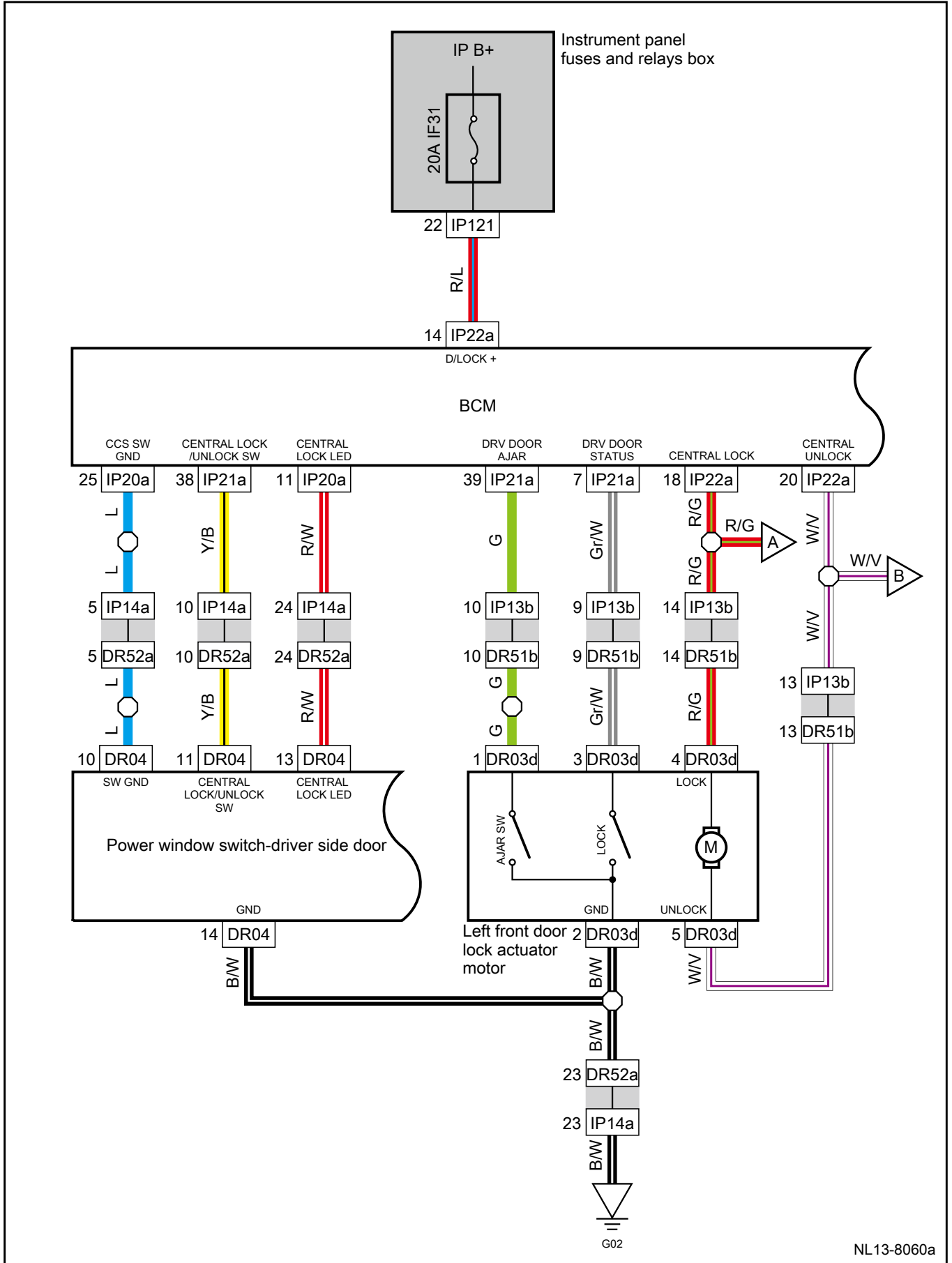
Harness connector	Name	Page
CA01i	Engine compartment to instrument panel harness connector 1	30
CA48	Engine hood lock switch harness connector	32
CA173a	Engine compartment to front-end module harness connector	29
CA174a	Front-end module to engine compartment harness connector	32
IP02i	Instrument panel to engine compartment harness connector 1	78
IP09g	Instrument panel to floor harness connector 3	80
IP20a	Body control module harness connector 1	78
IP21a	Body control module harness connector 2	78
IP22a	Body control module harness connector 3	78
IP59	Ambient light and solar radiation sensor harness connector	82
IP121	Intelligent electrical junction boxes harness connector G	78
IP223a	JC34 harness connector	78
IP265	Instrument panel to solar radiation sensor harness connector	79
IP266	Solar radiation sensor to instrument panel harness connector	82
SO03h	Floor to instrument panel harness connector 3	124
SO110a	Fuel tank filler cap actuator motor harness connector	124
G02	Instrument panel harness grounding	195
G12	Front-end module harness grounding	192

Anti-theft 2



Harness connector	Name	Page
DR03d	Driver side door lock actuator motor harness connector	171
DR13d	Passenger side door lock actuator motor harness connector	172
DR21d	Left rear door to floor harness connector	173
DR23d	Left rear door lock actuator motor harness connector	173
DR31d	Right rear door to floor harness connector	174
DR33d	Right rear door lock actuator motor harness connector	174
DR51b	Driver side door to instrument panel harness connector 1	171
DR52a	Driver side door to instrument panel harness connector 2	171
DR56b	Passenger side door to instrument panel harness connector 1	172
IP07a	Instrument panel to floor harness connector 1	78
IP09g	Instrument panel to floor harness connector 3	80
IP13b	Instrument panel to driver side door harness connector 1	78
IP14a	Instrument panel to driver side door harness connector 2	78
IP15b	Instrument panel to passenger side door harness connector 1	79
IP20a	Body control module harness connector 1	78
IP21a	Body control module harness connector 2	78
SO01a	Floor to instrument panel harness connector 1	123
SO03h	Floor to instrument panel harness connector 3	124
SO18d	Floor to left rear door harness connector	123
SO20d	Floor to right rear door harness connector	124
G02	Instrument panel harness grounding	195
G04	Instrument panel harness grounding	195
G22	Floor harness grounding	196
G25	Floor harness grounding	196

Central lock 1

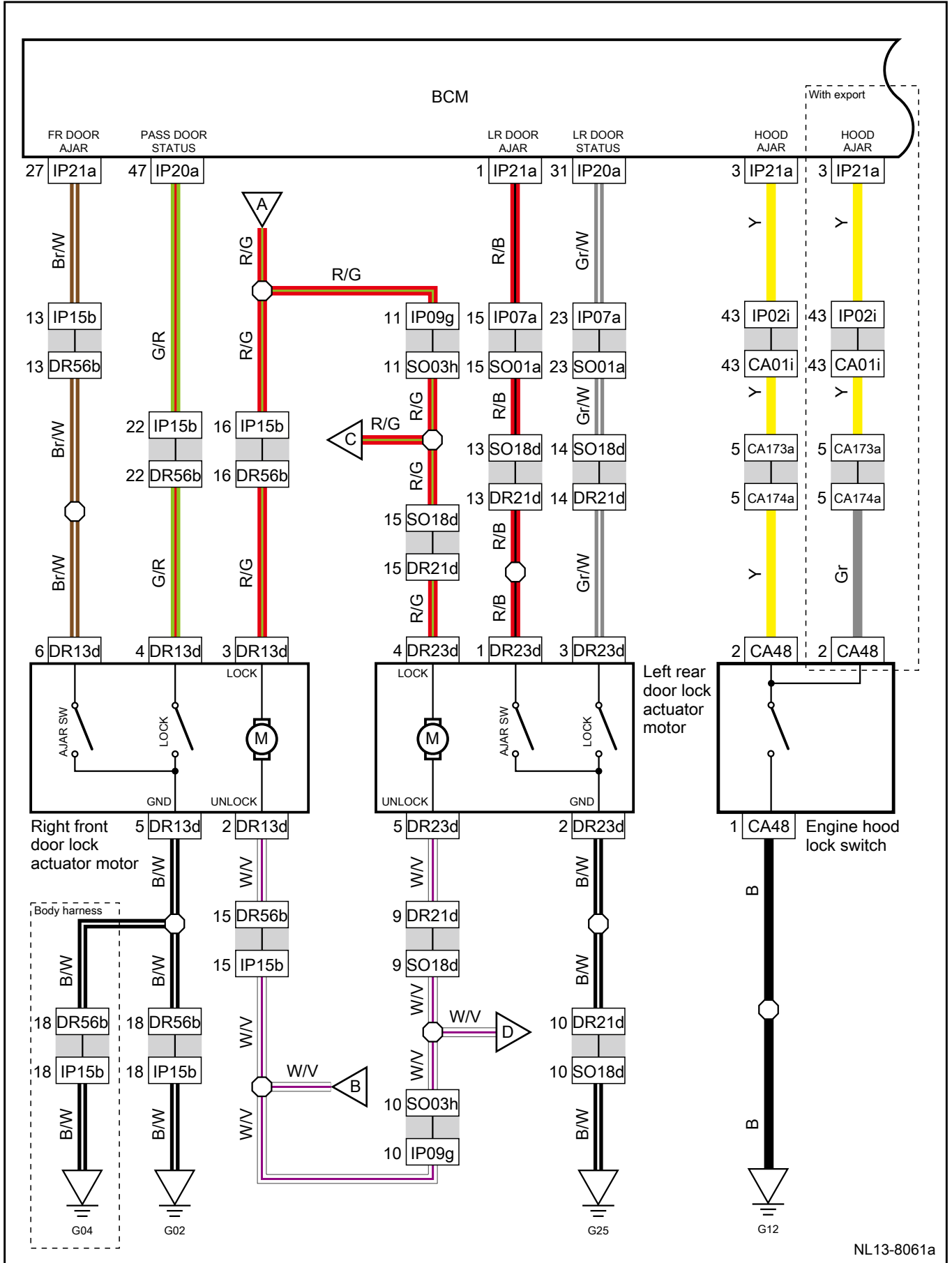


---

Harness connector	Name	Page
DR03d	Driver side door lock actuator motor harness connector	171
DR04	Driver side door power window switch harness connector	171
DR51b	Driver side door to instrument panel harness connector 1	171
DR52a	Driver side door to instrument panel harness connector 2	171
IP13b	Instrument panel to driver side door harness connector 1	78
IP14a	Instrument panel to driver side door harness connector 2	78
IP20a	Body control module harness connector 1	78
IP21a	Body control module harness connector 2	78
IP22a	Body control module harness connector 3	78
IP121	Intelligent electrical junction boxes harness connector G	78
G02	Instrument panel harness grounding	195

Join point	Explanations	Page
A	To central lock 2	420
B	To central lock 2	420

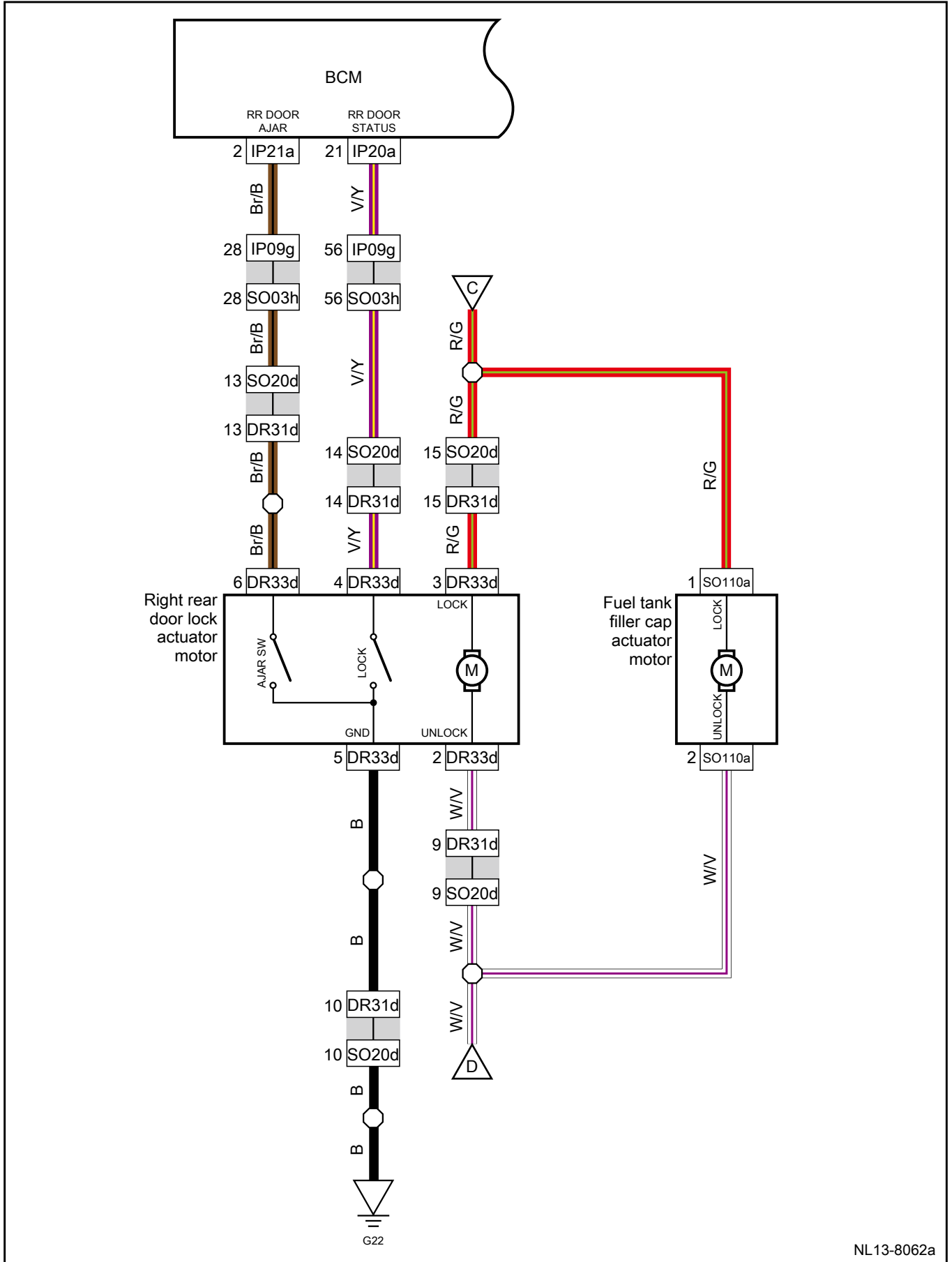
Central lock 2



Harness connector	Name	Page
CA01i	Engine compartment to instrument panel harness connector 1	30
CA48	Engine hood lock switch harness connector	32
CA173a	Engine compartment to front-end module harness connector	29
CA174a	Front-end module to engine compartment harness connector	32
DR13d	Passenger side door lock actuator motor harness connector	172
DR21d	Left rear door to floor harness connector	173
DR23d	Left rear door lock actuator motor harness connector	173
DR56b	Passenger side door to instrument panel harness connector 1	172
IP02i	Instrument panel to engine compartment harness connector 1	78
IP07a	Instrument panel to floor harness connector 1	78
IP09g	Instrument panel to floor harness connector 3	80
IP15b	Instrument panel to passenger side door harness connector 1	79
IP20a	Body control module harness connector 1	78
IP21a	Body control module harness connector 2	78
SO01a	Floor to instrument panel harness connector 1	123
SO03h	Floor to instrument panel harness connector 3	124
SO18d	Floor to left rear door harness connector	123
G02	Instrument panel harness grounding	195
G04	Instrument panel harness grounding	195
G12	Front-end module harness grounding	192
G25	Floor harness grounding	196

Join point	Explanations	Page
A	To central lock 1	418
B	To central lock 1	418
C	To central lock 3	422
D	To central lock 3	422

Central lock 3



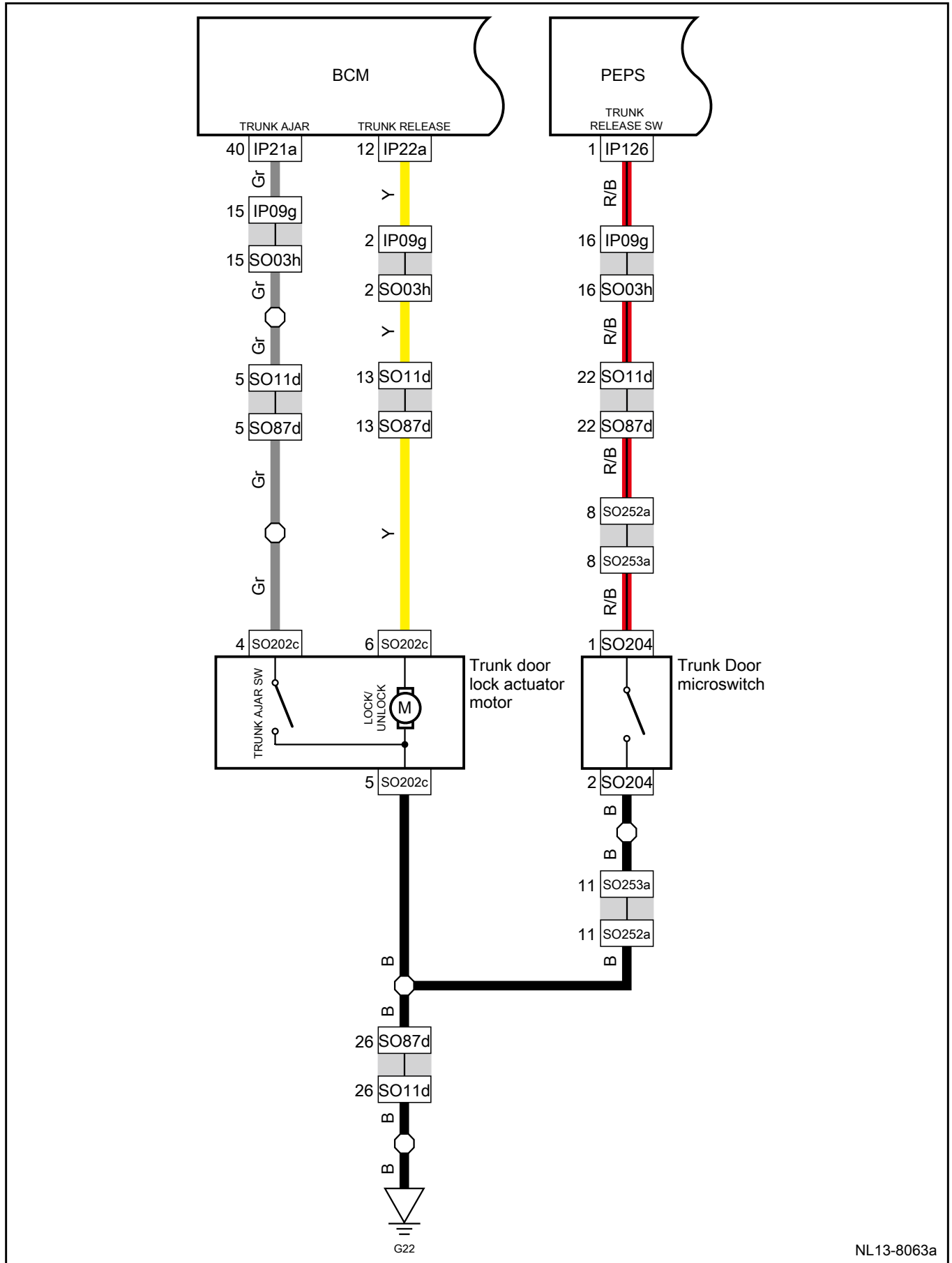
NL13-8062a

---

Harness connector	Name	Page
DR31d	Right rear door to floor harness connector	174
DR33d	Right rear door lock actuator motor harness connector	174
IP09g	Instrument panel to floor harness connector 3	80
IP20a	Body control module harness connector 1	78
IP21a	Body control module harness connector 2	78
SO03h	Floor to instrument panel harness connector 3	124
SO20d	Floor to right rear door harness connector	124
SO110a	Fuel tank filler cap actuator motor harness connector	124
G22	Floor harness grounding	196

Join point	Explanations	Page
C	To central lock 2	420
D	To central lock 2	420

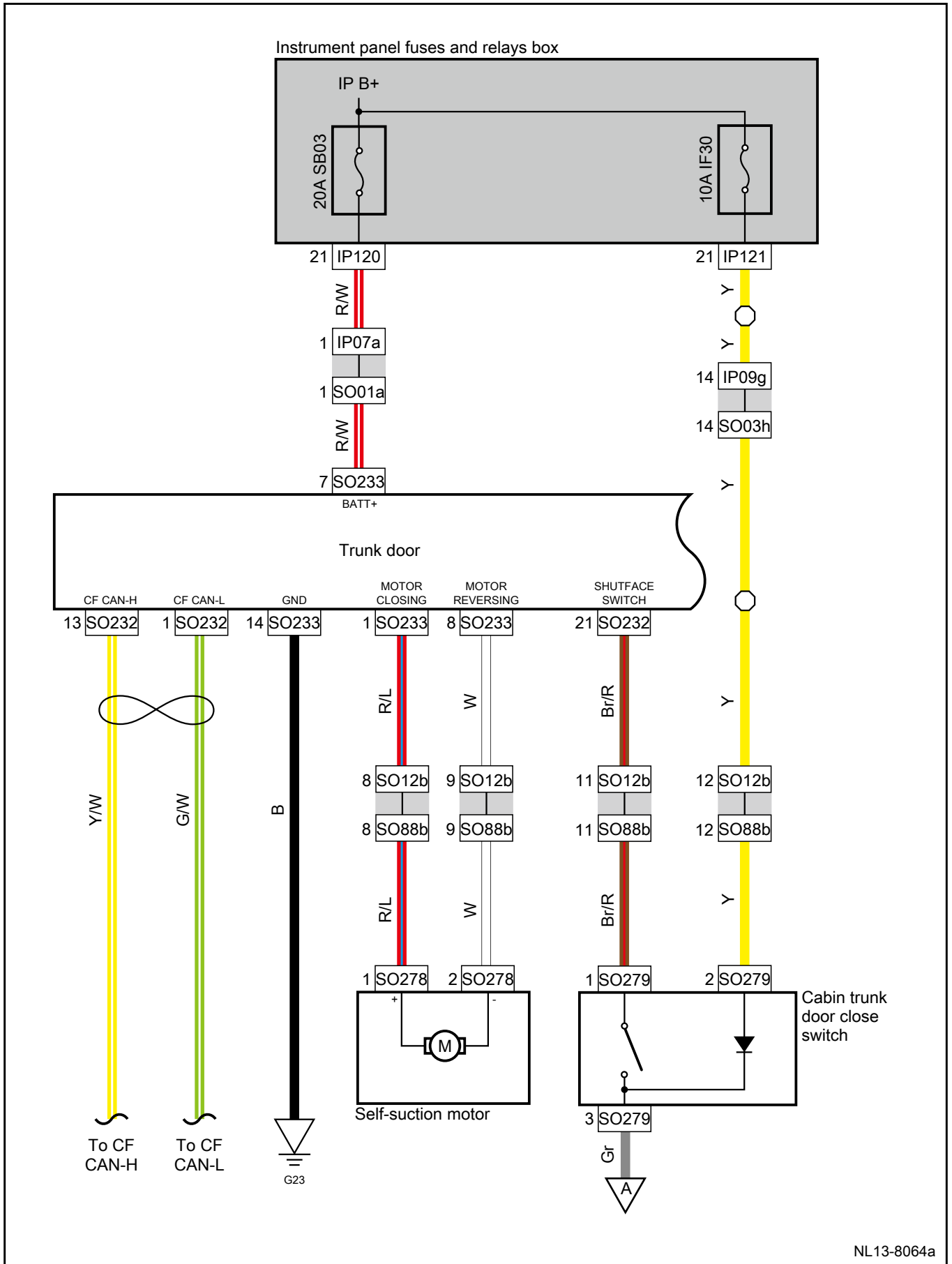
Trunk door Lock



NL13-8063a

Harness connector	Name	Page
IP09g	Instrument panel to floor harness connector 3	80
IP21a	Body control module harness connector 2	78
IP22a	Body control module harness connector 3	78
IP126	Passive entry passive start control module harness connector 3	80
SO03h	Floor to instrument panel harness connector 3	124
SO11d	Floor to trunk door harness connector A	124
SO87d	Trunk door to floor harness connector A	126
SO202c	Trunk door lock actuator motor harness connector	126
SO204	Trunk Door microswitch harness connector	128
SO252a	Trunk door to license light plate harness connector	126
SO253a	License light plate to trunk door harness connector	128
G22	Floor harness grounding	196

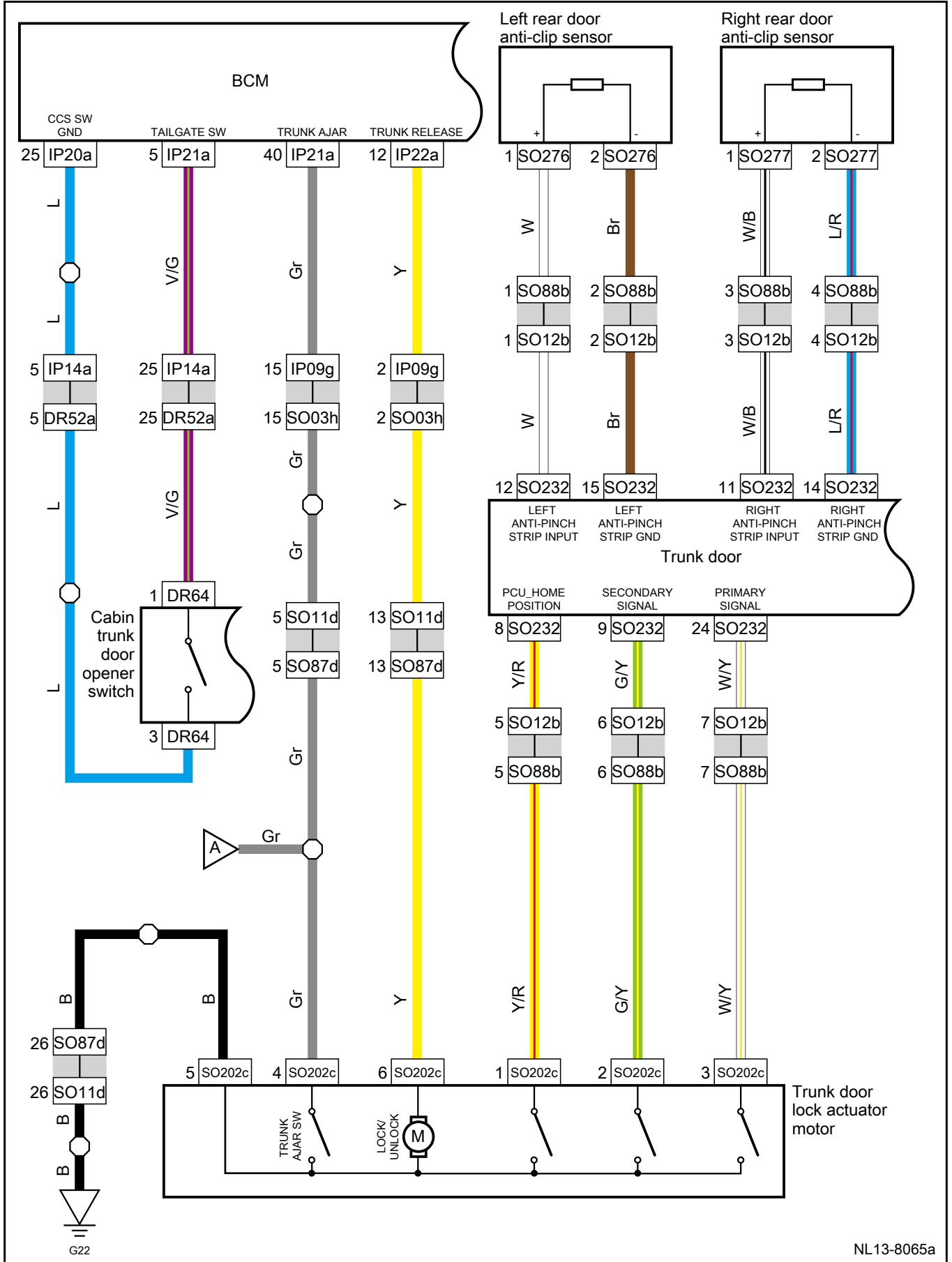
Power tailgate 1



Harness connector	Name	Page
IP07a	Instrument panel to floor harness connector 1	78
IP09g	Instrument panel to floor harness connector 3	80
IP120	Intelligent electrical junction boxes harness connector F	78
IP121	Intelligent electrical junction boxes harness connector G	78
SO01a	Floor to instrument panel harness connector 1	123
SO03h	Floor to instrument panel harness connector 3	124
SO12b	Floor to trunk door harness connector B	124
SO88b	Trunk door to floor harness connector B	126
SO232	Trunk door harness connector 1	123
SO233	Trunk door harness connector 2	123
SO278	Self-suction motor harness connector	126
SO279	Cabin trunk door close switch harness connector	126
G23	Floor harness grounding	196

Join point	Explanations	Page
SO232-13	To CF CAN-H	600,602
SO232-1	To CF CAN-L	600,602
A	To power tailgate 2	428

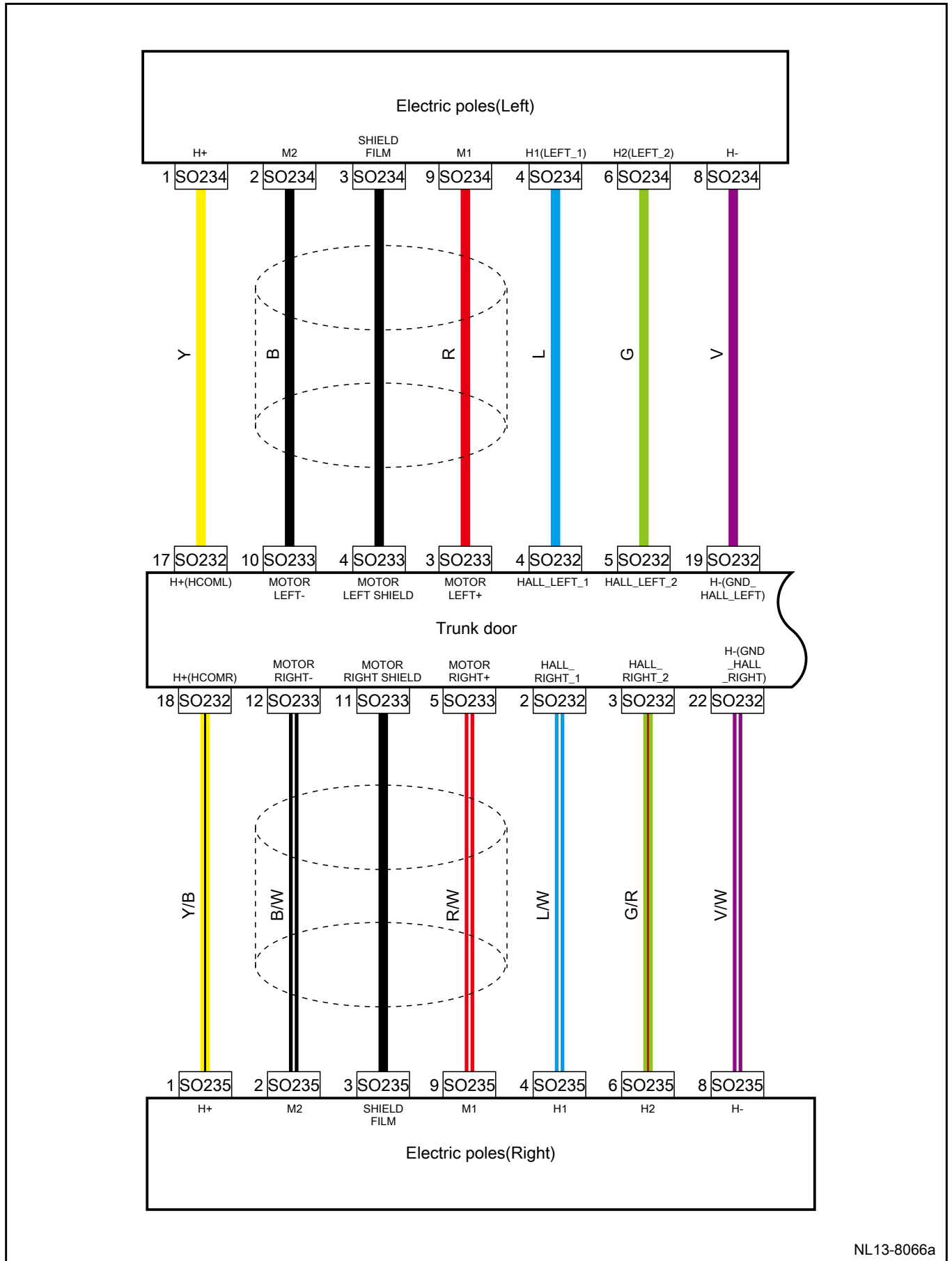
Power tailgate 2



Harness connector	Name	Page
DR52a	Driver side door to instrument panel harness connector 2	171
DR64	Cabin trunk door opener switch harness connector	171
IP09g	Instrument panel to floor harness connector 3	80
IP14a	Instrument panel to driver side door harness connector 2	78
IP20a	Body control module harness connector 1	78
IP21a	Body control module harness connector 2	78
IP22a	Body control module harness connector 3	78
SO03h	Floor to instrument panel harness connector 3	124
SO11d	Floor to trunk door harness connector A	124
SO12b	Floor to trunk door harness connector B	124
SO87d	Trunk door to floor harness connector A	126
SO88b	Trunk door to floor harness connector B	126
SO202c	Trunk door lock actuator motor harness connector	126
SO232	Trunk door harness connector 1	123
SO276	Left rear door anti-clip sensor harness connector	126
SO277	Right rear door anti-clip sensor harness connector	126
G22	Floor harness grounding	196

Join point	Explanations	Page
A	To power tailgate 1	426

Power tailgate 3

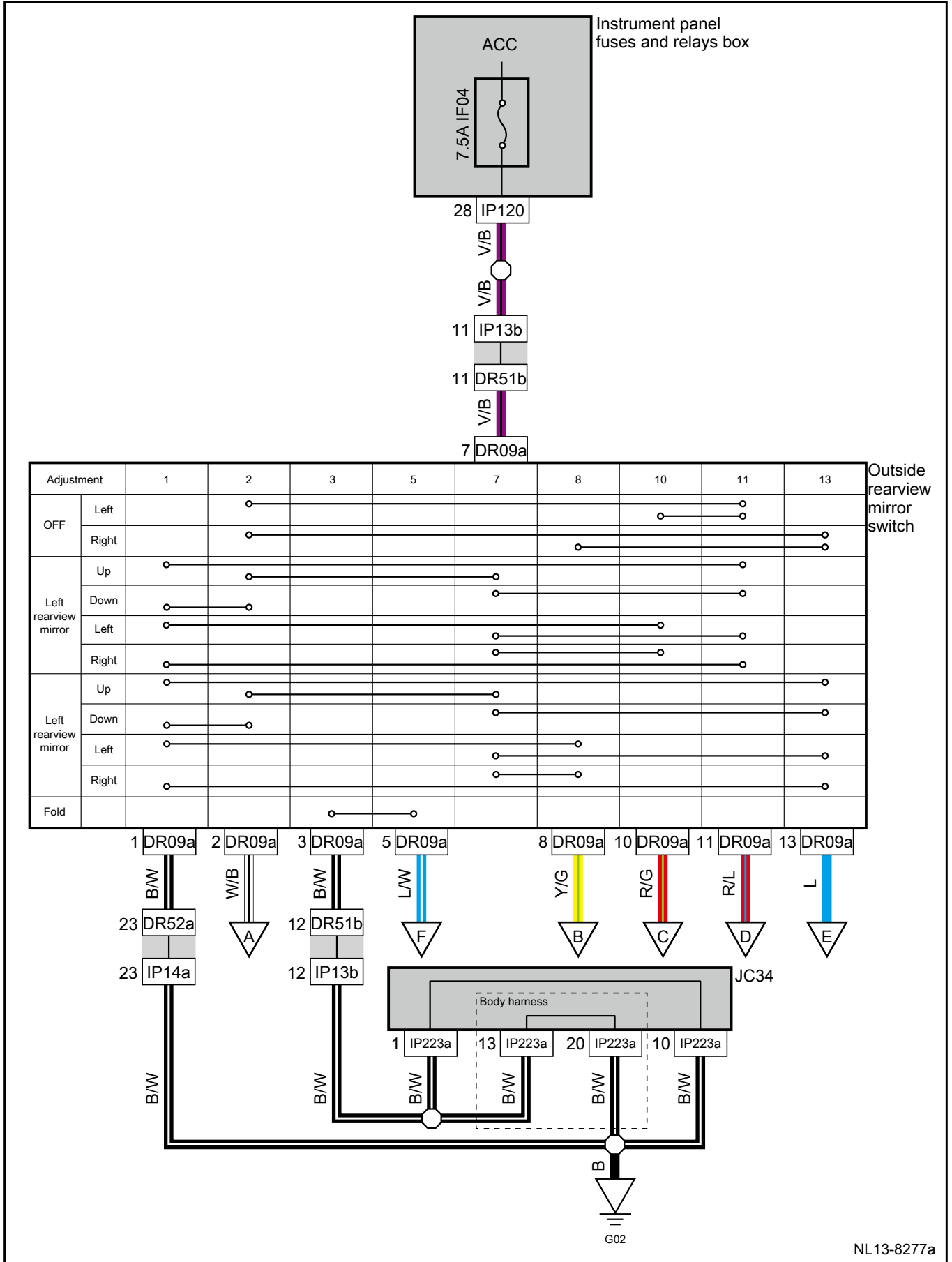


NL13-8066a

---

Harness connector	Name	Page
SO232	Trunk door harness connector 1	123
SO233	Trunk door harness connector 2	123
SO234	Electric poles (Left) harness connector	124
SO235	Electric poles (Right) harness connector	124

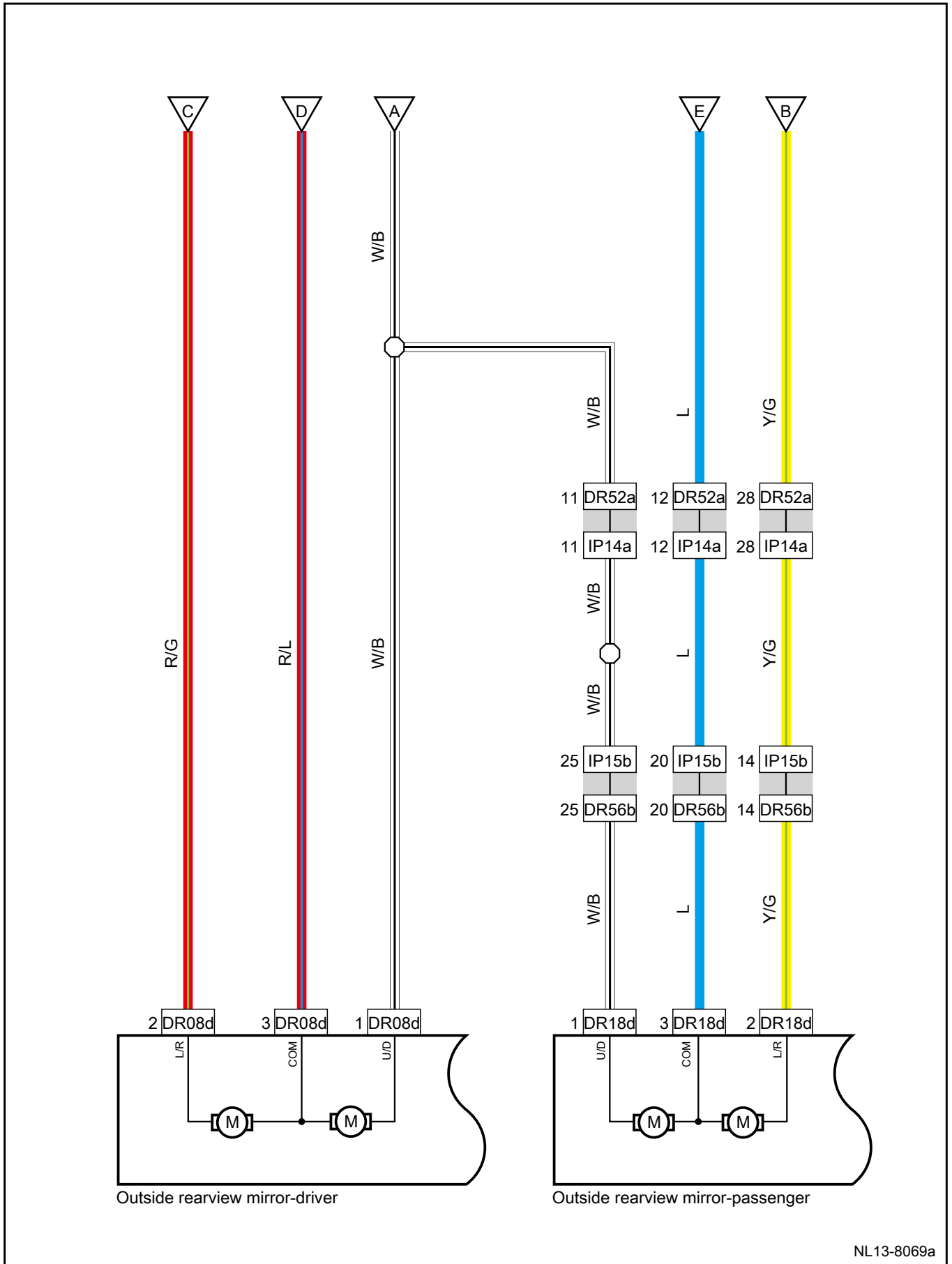
Power rearview mirror 1



Harness connector	Name	Page
DR09a	Outside rearview mirror switch harness connector	171
DR51b	Driver side door to instrument panel harness connector 1	171
DR52a	Driver side door to instrument panel harness connector 2	171
IP13b	Instrument panel to driver side door harness connector 1	78
IP14a	Instrument panel to driver side door harness connector 2	78
IP120	Intelligent electrical junction boxes harness connector F	78
IP223a	JC34 harness connector	78
G02	Instrument panel harness grounding	195

Join point	Explanations	Page
A	To power rearview mirror 2 (type 1)	434
	To power rearview mirror 2 (type 2)	436
B	To power rearview mirror 2 (type 1)	434
	To power rearview mirror 2 (type 2)	436
C	To power rearview mirror 2 (type 1)	434
	To power rearview mirror 2 (type 2)	436
D	To power rearview mirror 2 (type 1)	434
	To power rearview mirror 2 (type 2)	436
E	To power rearview mirror 2 (type 1)	434
	To power rearview mirror 2 (type 2)	436
F	To power rearview mirror 3	438

Power rearview mirror 2 (type 1)

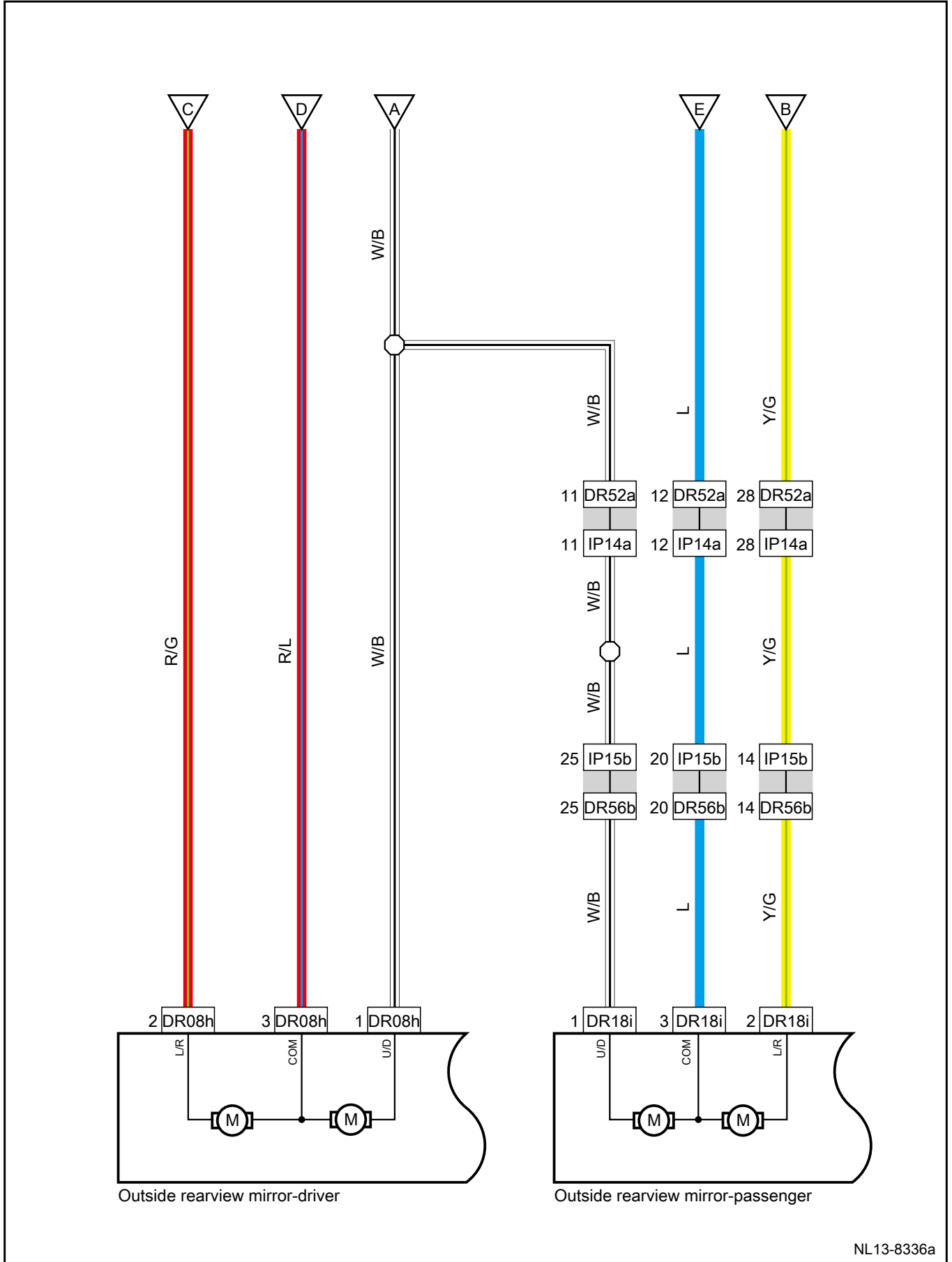


---

Harness connector	Name	Page
DR08d	Outside Rearview Mirror-Driver harness connector 1	171
DR18d	Outside rearview mirror-passenger harness connector 1	172
DR52a	Driver side door to instrument panel harness connector 2	171
DR56b	Passenger side door to instrument panel harness connector 1	172
IP14a	Instrument panel to driver side door harness connector 2	78
IP15b	Instrument panel to passenger side door harness connector 1	79

Join point	Explanations	Page
A	To power rearview mirror 1	432
B	To power rearview mirror 1	432
C	To power rearview mirror 1	432
D	To power rearview mirror 1	432
E	To power rearview mirror 1	432

Power rearview mirror 2 (type 2)



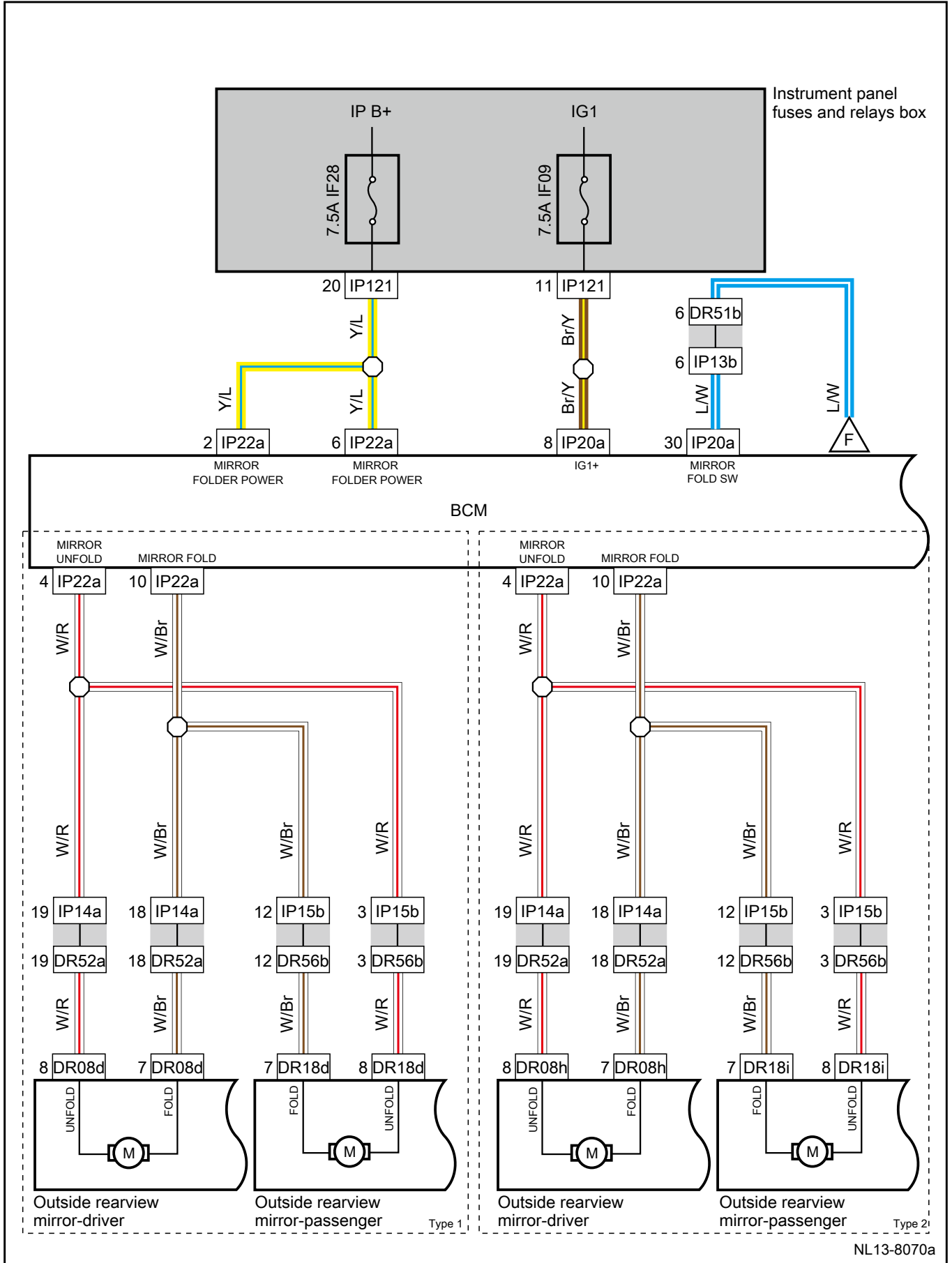
NL13-8336a

---

Harness connector	Name	Page
DR08h	Outside Rearview Mirror-Driver harness connector 1	171
DR18i	Outside rearview mirror-passenger harness connector 1	172
DR52a	Driver side door to instrument panel harness connector 2	171
DR56b	Passenger side door to instrument panel harness connector 1	172
IP14a	Instrument panel to driver side door harness connector 2	78
IP15b	Instrument panel to passenger side door harness connector 1	79

Join point	Explanations	Page
A	To power rearview mirror 1	432
B	To power rearview mirror 1	432
C	To power rearview mirror 1	432
D	To power rearview mirror 1	432
E	To power rearview mirror 1	432

Power rearview mirror 3

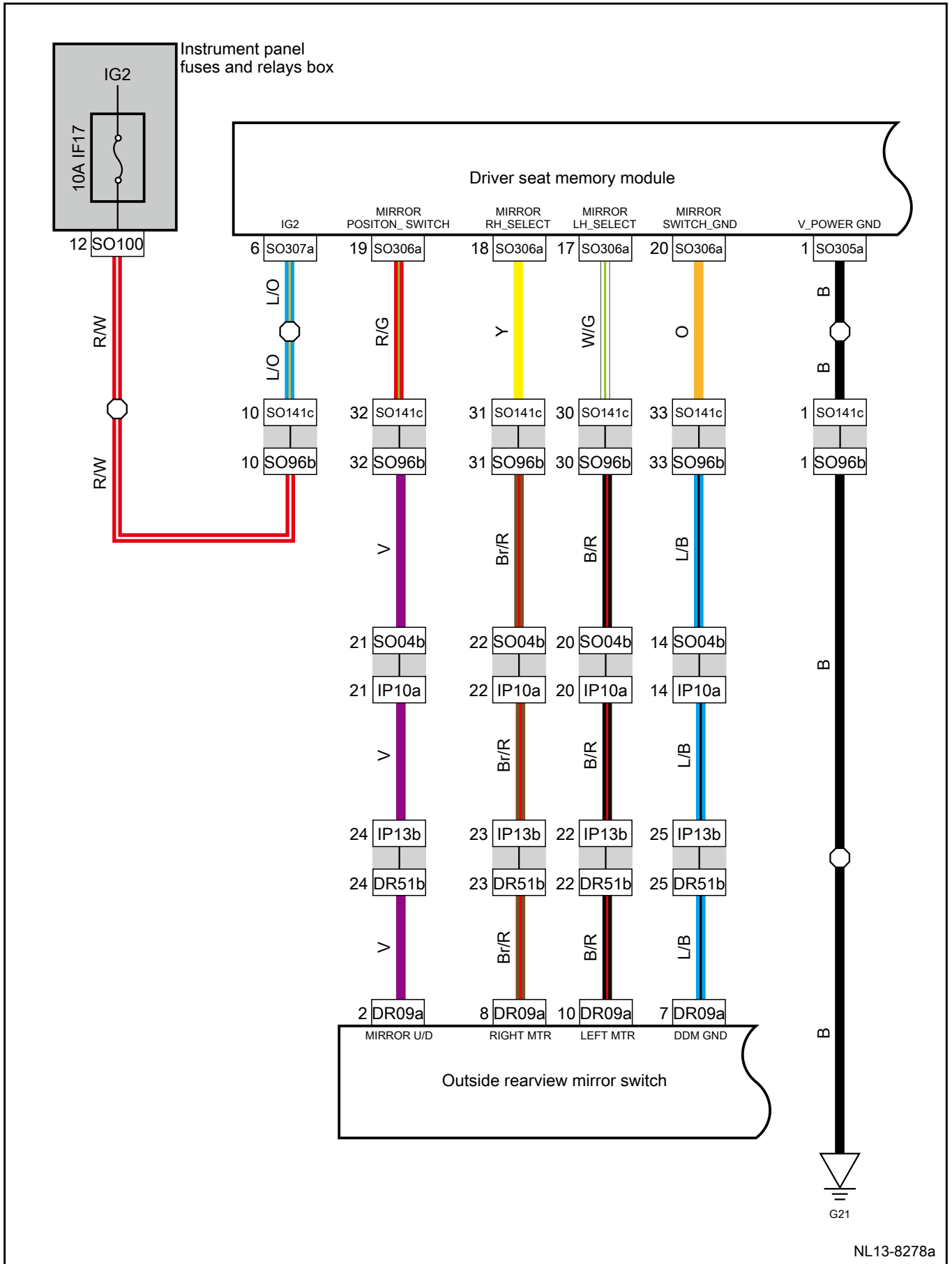


NL13-8070a

Harness connector	Name	Page
DR08d	Outside Rearview Mirror-Driver harness connector 1	171
DR08h	Outside Rearview Mirror-Driver harness connector 1	171
DR18d	Outside rearview mirror-passenger harness connector 1	172
DR18i	Outside rearview mirror-passenger harness connector 1	172
DR51b	Driver side door to instrument panel harness connector 1	171
DR52a	Driver side door to instrument panel harness connector 2	171
DR56b	Passenger side door to instrument panel harness connector 1	172
IP13b	Instrument panel to driver side door harness connector 1	78
IP14a	Instrument panel to driver side door harness connector 2	78
IP15b	Instrument panel to passenger side door harness connector 1	79
IP20a	Body control module harness connector 1	78
IP22a	Body control module harness connector 3	78
IP121	Intelligent electrical junction boxes harness connector G	78

Join point	Explanations	Page
F	To power rearview mirror 1	432

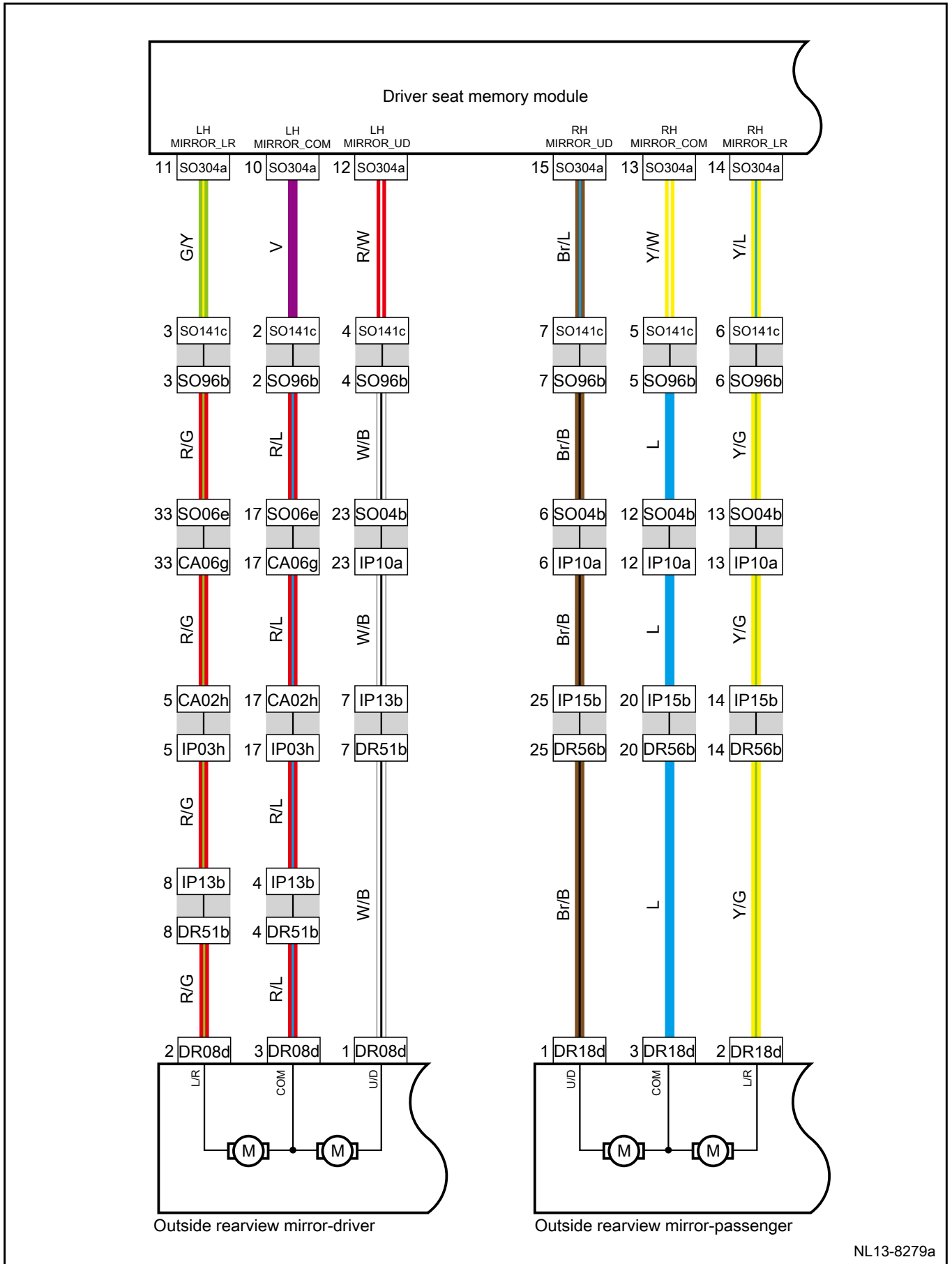
Power rearview mirror 1(Memory)



---

Harness connector	Name	Page
DR09a	Outside rearview mirror switch harness connector	171
DR51b	Driver side door to instrument panel harness connector 1	171
IP10a	Instrument panel to floor harness connector 4	79
IP13b	Instrument panel to driver side door harness connector 1	78
SO04b	Floor to instrument panel harness connector 4	124
SO96b	Floor to driver seat harness connector 2	123
SO100	Intelligent electrical junction boxes harness connector C	123
SO141c	Driver seat to floor harness connector 2	129
SO305a	Driver seat memory module harness connector 2	129
SO306a	Driver seat memory module harness connector 3	129
SO307a	Driver seat memory module harness connector 4	129
G21	Floor harness grounding	196

Power rearview mirror 2(Memory)

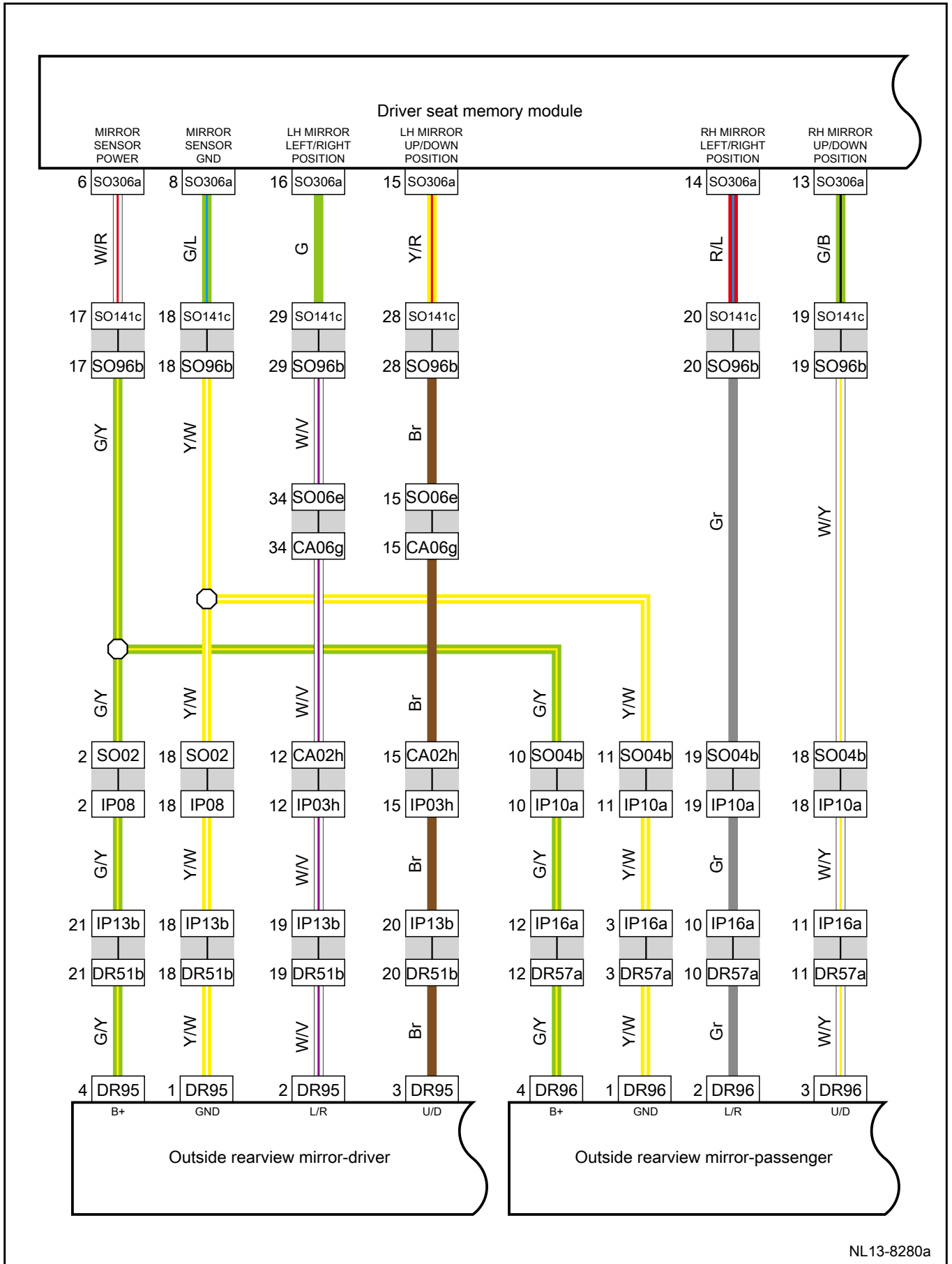


NL13-8279a

---

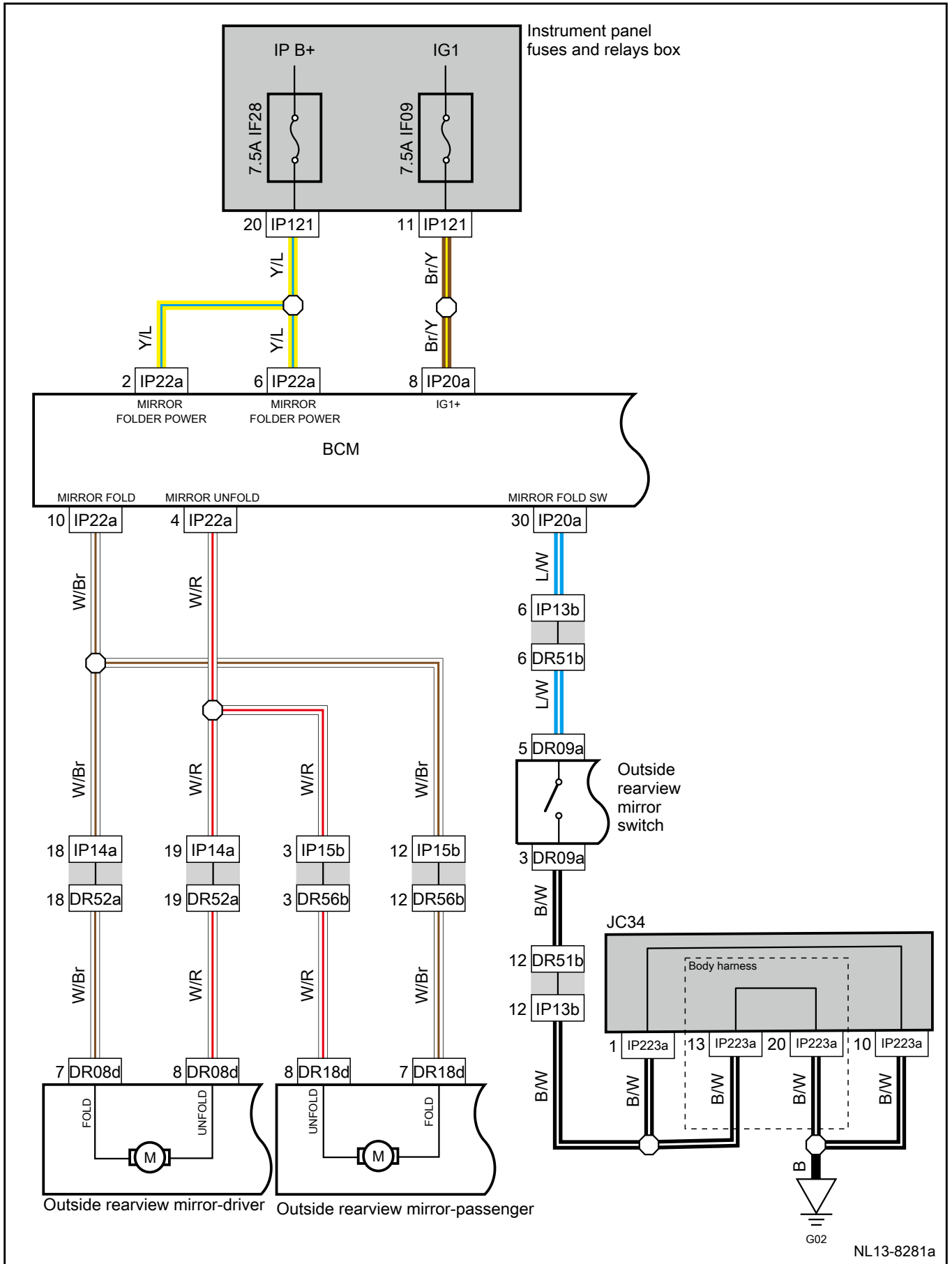
Harness connector	Name	Page
CA02h	Engine compartment to instrument panel harness connector 2	30
CA06g	Engine compartment to floor harness connector	30
DR08d	Outside Rearview Mirror-Driver harness connector 1	171
DR18d	Outside rearview mirror-passenger harness connector 1	172
DR51b	Driver side door to instrument panel harness connector 1	171
DR56b	Passenger side door to instrument panel harness connector 1	172
IP03h	Instrument panel to engine compartment harness connector 2	78
IP10a	Instrument panel to floor harness connector 4	79
IP13b	Instrument panel to driver side door harness connector 1	78
IP15b	Instrument panel to passenger side door harness connector 1	79
SO04b	Floor to instrument panel harness connector 4	124
SO06e	Floor to engine compartment harness connector	123
SO96b	Floor to driver seat harness connector 2	123
SO141c	Driver seat to floor harness connector 2	129
SO304a	Driver seat memory module harness connector 1	129

Power rearview mirror 3(Memory)



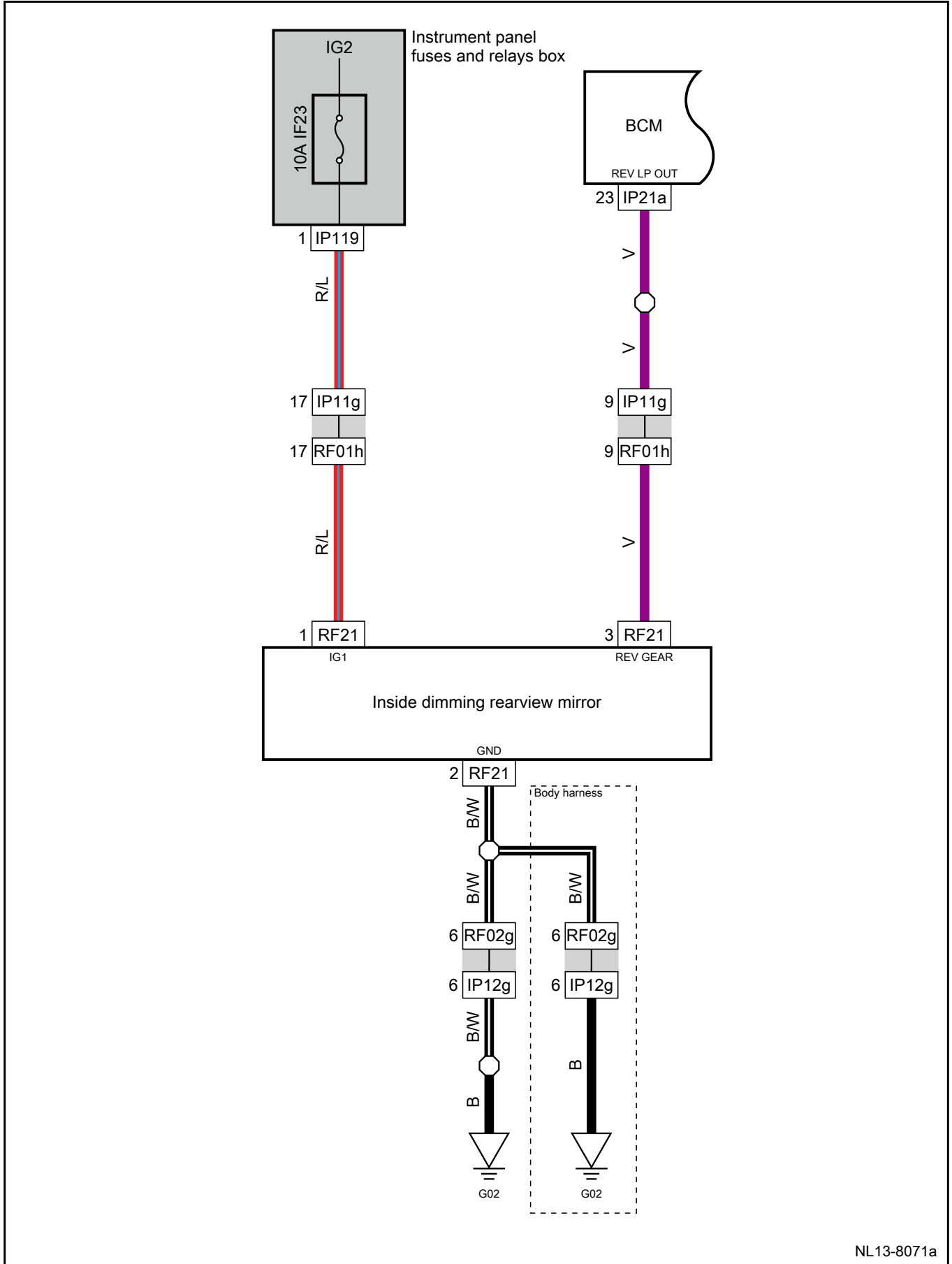
Harness connector	Name	Page
CA02h	Engine compartment to instrument panel harness connector 2	30
CA06g	Engine compartment to floor harness connector	30
DR51b	Driver side door to instrument panel harness connector 1	171
DR57a	Passenger side door to instrument panel harness connector 2	172
DR95	Outside rearview mirror-driver harness connector 2	171
DR96	Outside rearview mirror-passenger harness connector 2	172
IP03h	Instrument panel to engine compartment harness connector 2	78
IP08	Instrument panel to floor harness connector 2	78
IP10a	Instrument panel to floor harness connector 4	79
IP13b	Instrument panel to driver side door harness connector 1	78
IP16a	Instrument panel to passenger side door harness connector 2	80
SO02	Floor to instrument panel harness connector 2	123
SO04b	Floor to instrument panel harness connector 4	124
SO06e	Floor to engine compartment harness connector	123
SO96b	Floor to driver seat harness connector 2	123
SO141c	Driver seat to floor harness connector 2	129
SO306a	Driver seat memory module harness connector 3	129

Power rearview mirror 4(Memory)



Harness connector	Name	Page
DR08d	Outside Rearview Mirror-Driver harness connector 1	171
DR09a	Outside rearview mirror switch harness connector	171
DR18d	Outside rearview mirror-passenger harness connector 1	172
DR51b	Driver side door to instrument panel harness connector 1	171
DR52a	Driver side door to instrument panel harness connector 2	171
DR56b	Passenger side door to instrument panel harness connector 1	172
IP13b	Instrument panel to driver side door harness connector 1	78
IP14a	Instrument panel to driver side door harness connector 2	78
IP15b	Instrument panel to passenger side door harness connector 1	79
IP20a	Body control module harness connector 1	78
IP22a	Body control module harness connector 3	78
IP121	Intelligent electrical junction boxes harness connector G	78
IP223a	JC34 harness connector	78
G02	Instrument panel harness grounding	195

Power dimming rearview mirror

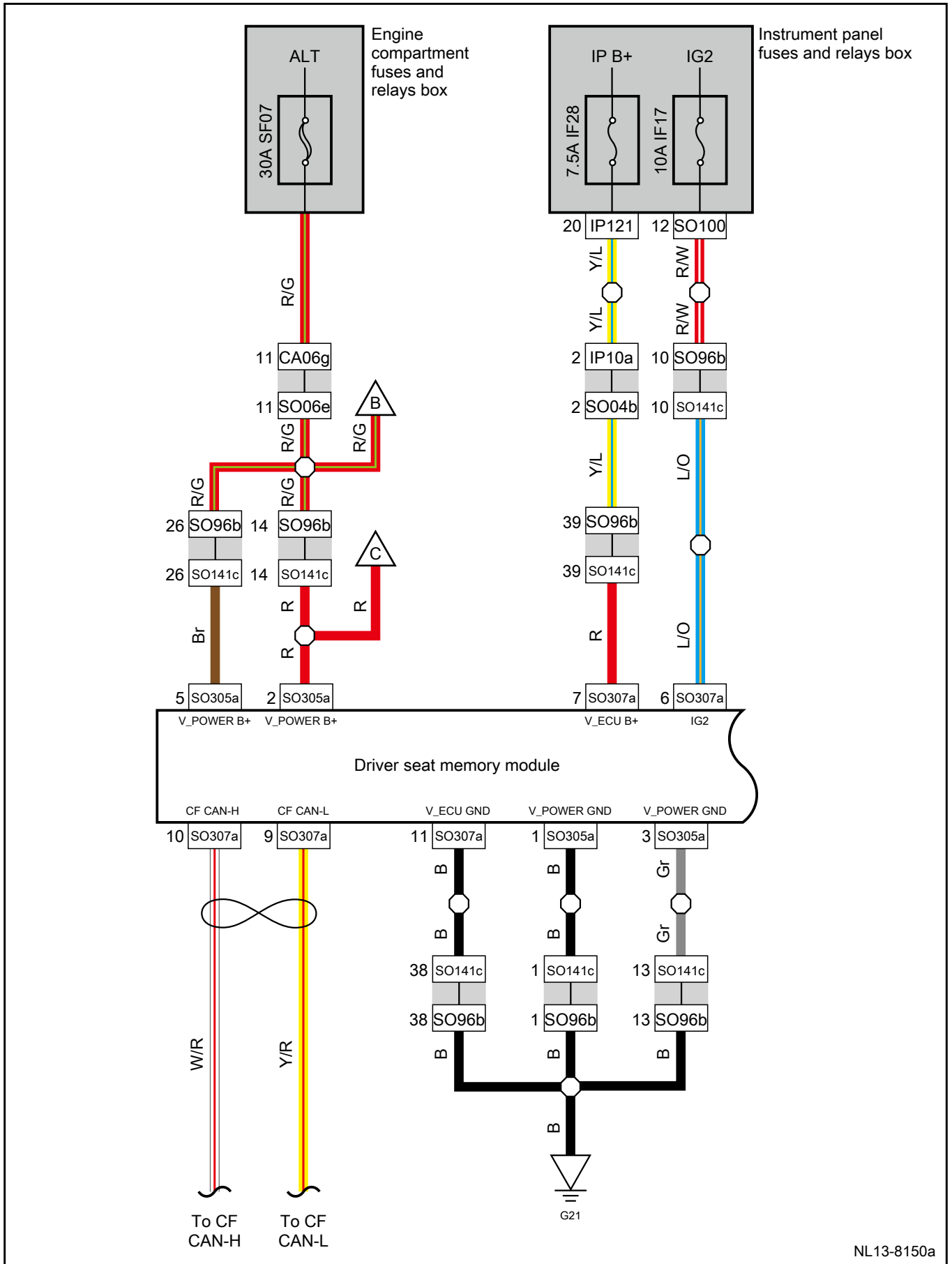


NL13-8071a

---

Harness connector	Name	Page
IP11g	Instrument panel to roof harness connector 1	80
IP12g	Instrument panel to roof harness connector 2	78
IP21a	Body control module harness connector 2	78
IP119	Intelligent electrical junction boxes harness connector E	78
RF01h	Roof to instrument panel harness connector 1	117
RF02g	Roof to instrument panel harness connector 2	117
RF21	Inside dimming rearview mirror harness connector	117
G02	Instrument panel harness grounding	195

Power seat 1(Driving in eight directions)

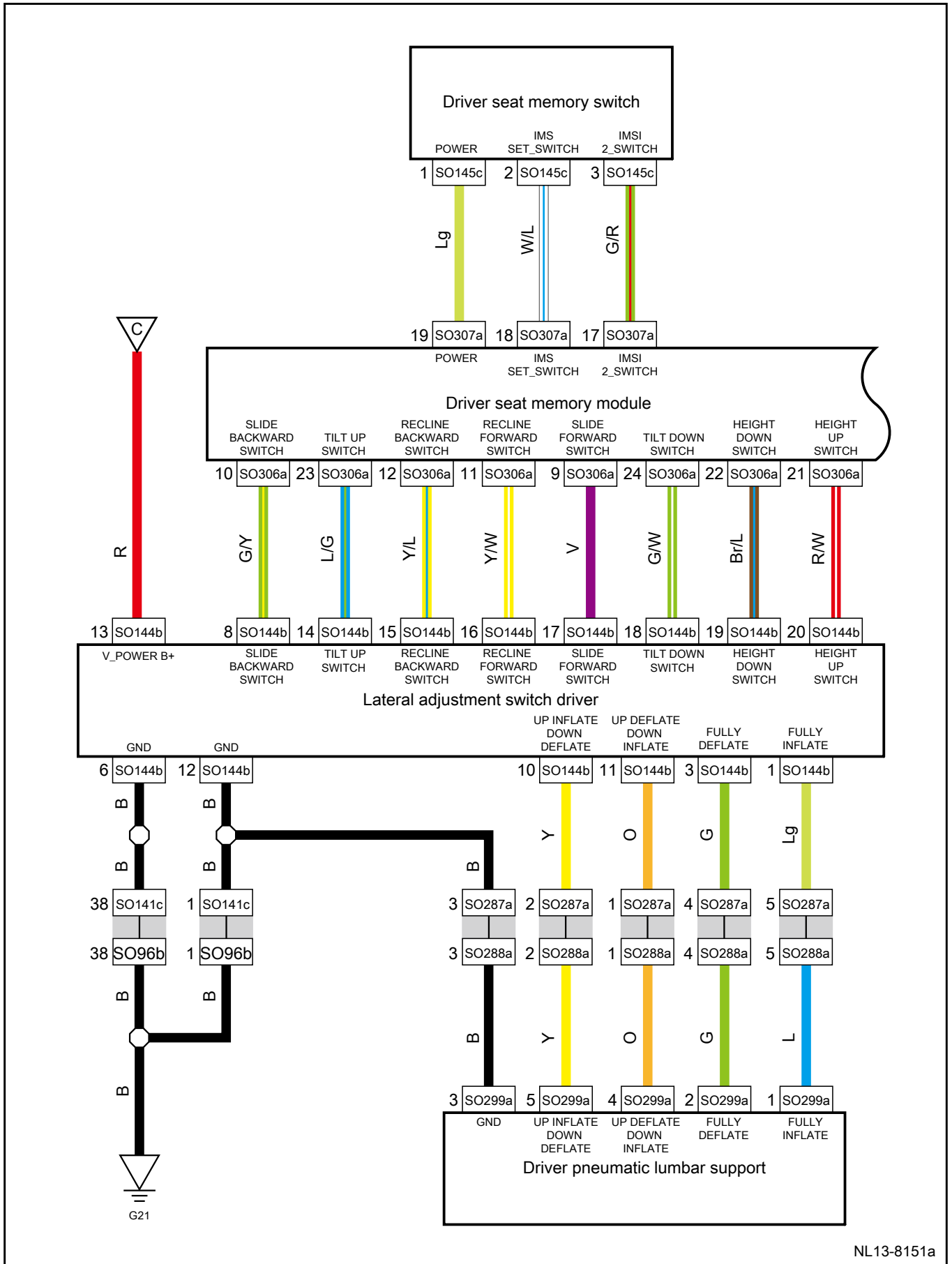


NL13-8150a

Harness connector	Name	Page
CA06g	Engine compartment to floor harness connector	30
IP10a	Instrument panel to floor harness connector 4	79
IP121	Intelligent electrical junction boxes harness connector G	78
SO04b	Floor to instrument panel harness connector 4	124
SO06e	Floor to engine compartment harness connector	123
SO96b	Floor to driver seat harness connector 2	123
SO100	Intelligent electrical junction boxes harness connector C	123
SO141c	Driver seat to floor harness connector 2	129
SO305a	Driver seat memory module harness connector 2	129
SO307a	Driver seat memory module harness connector 4	129
G21	Floor harness grounding	196

Join point	Explanations	Page
SO307a-10	To CF CAN-H	600,602
SO307a-9	To CF CAN-L	600,602
B	To power seat 4(Driving in eight directions)	456
C	To power seat 2(Driving in eight directions)	452

Power seat 2(Driving in eight directions)



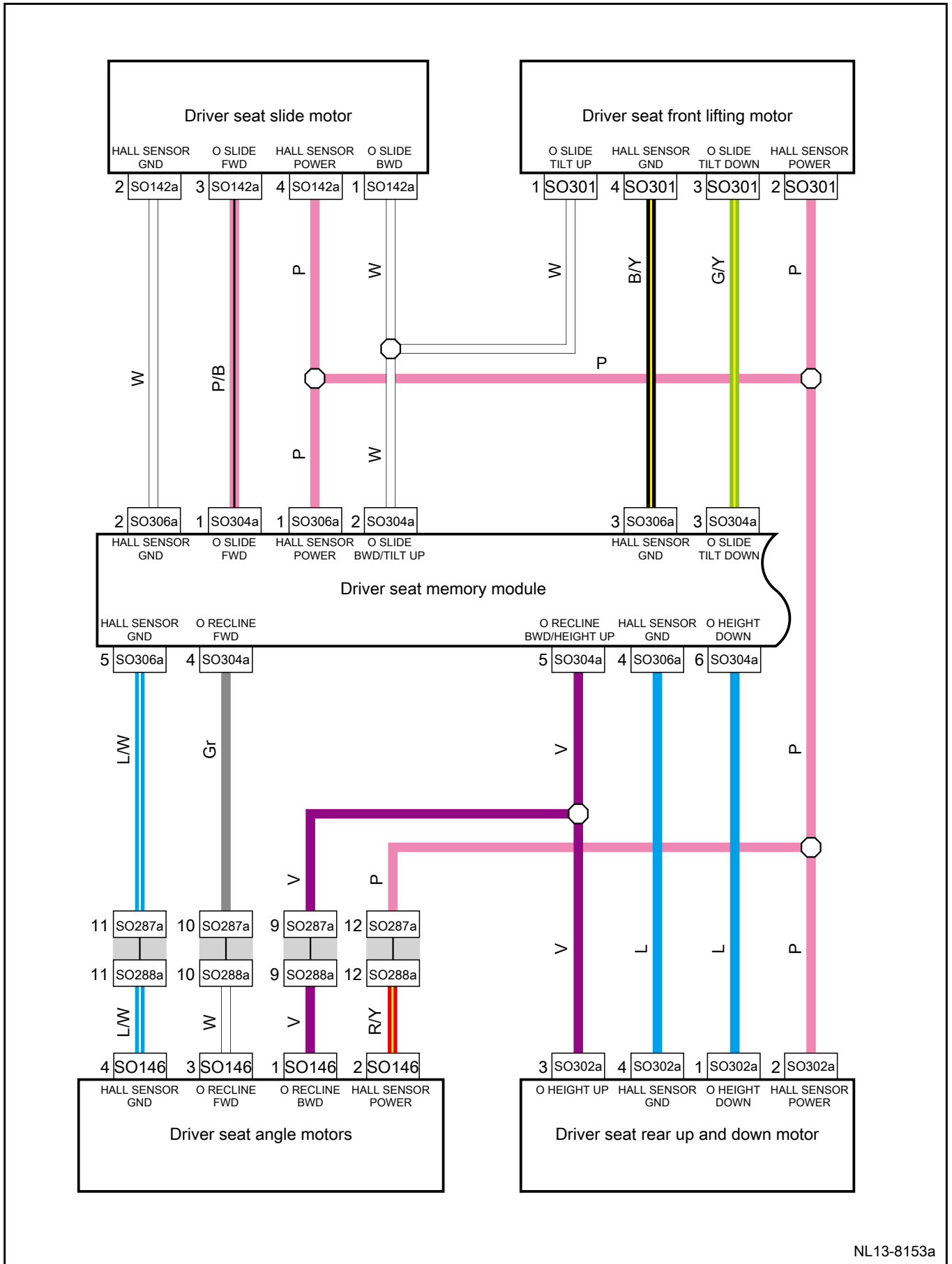
NL13-8151a

---

Harness connector	Name	Page
SO96b	Floor to driver seat harness connector 2	123
SO141c	Driver seat to floor harness connector 2	129
SO144b	Outside the driver seat adjustment switches harness connector	129
SO145c	Driver seat memory switch harness connector	129
SO287a	Driver seat to driver back harness connector	129
SO288a	Driver back to driver seat harness connector	129
SO299a	Driver pneumatic lumbar support harness connector	129
SO306a	Driver seat memory module harness connector 3	129
SO307a	Driver seat memory module harness connector 4	129
G21	Floor harness grounding	196

Join point	Explanations	Page
C	To Power seat 1(Driving in eight directions)	450

Power seat 3(Driving in eight directions)

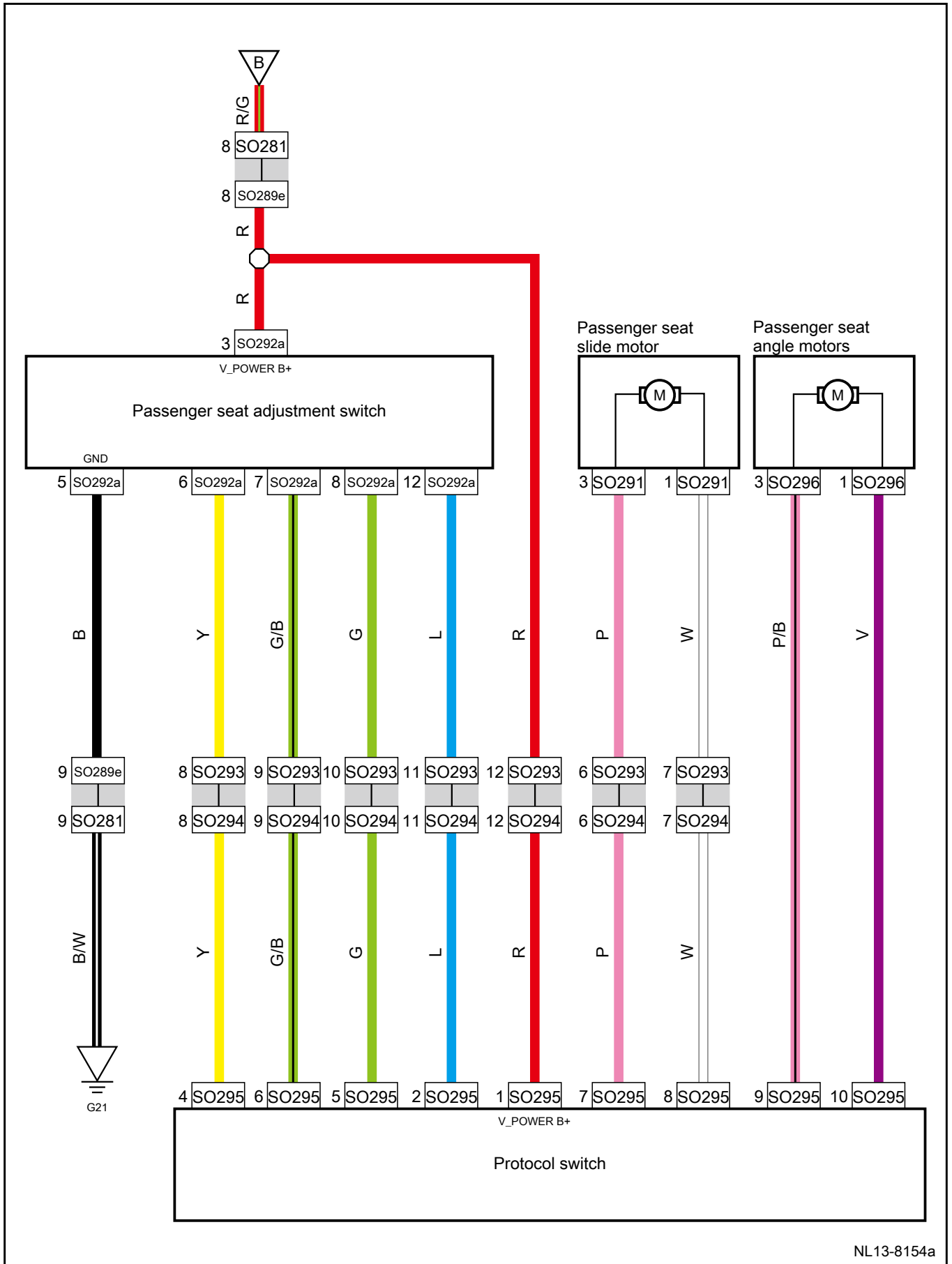


NL13-8153a

---

Harness connector	Name	Page
SO142a	Driver seat slide motor harness connector	129
SO146	Driver seat angle motors harness connector	129
SO287a	Driver seat to driver back harness connector	129
SO288a	Driver back to driver seat harness connector	129
SO301	Driver seat front lifting motor harness connector	129
SO302a	Driver seat rear up and down motor harness connector	129
SO304a	Driver seat memory module harness connector 1	129
SO306a	Driver seat memory module harness connector 3	129

Power seat 4(Driving in eight directions)



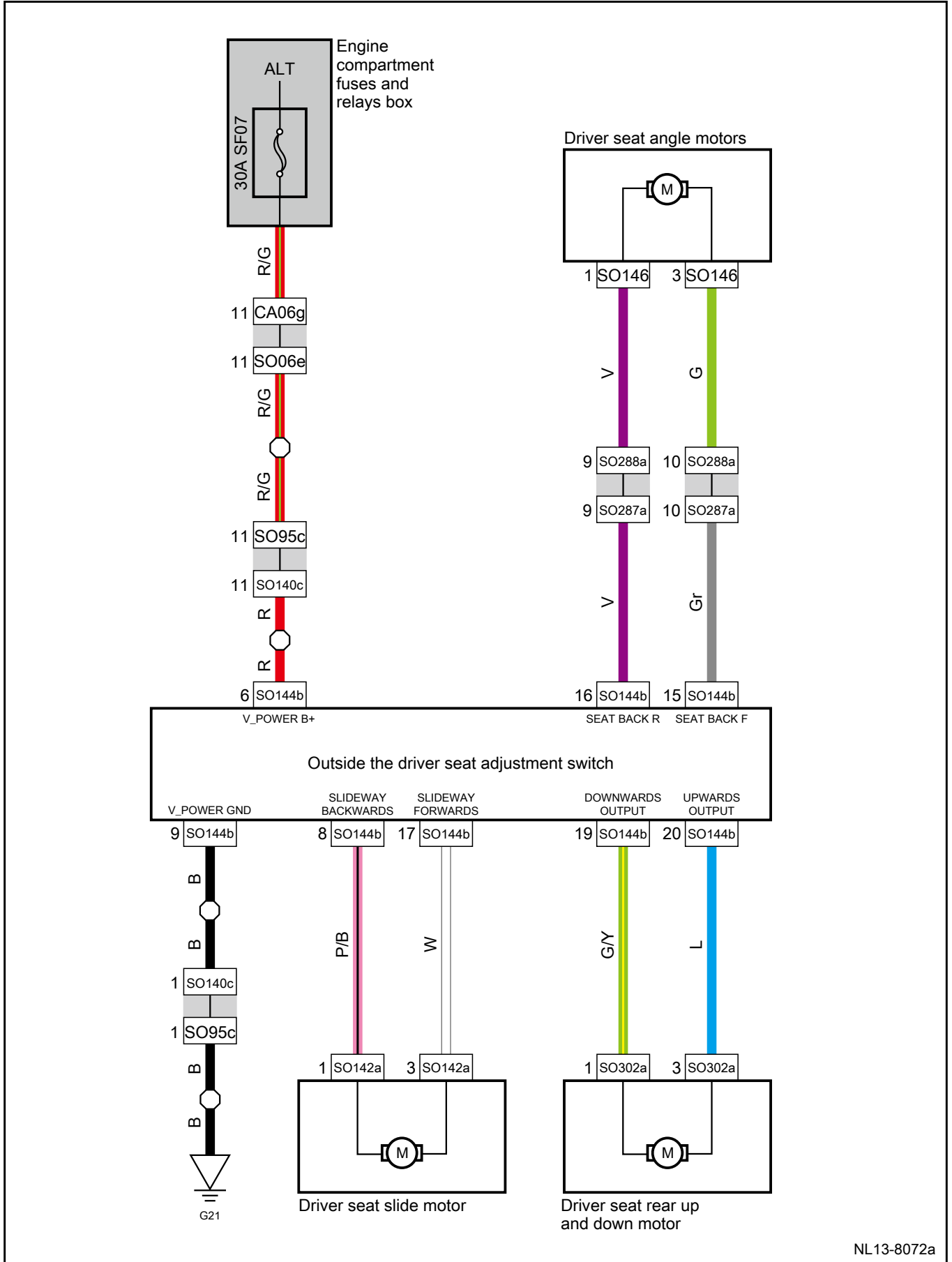
NL13-8154a

---

Harness connector	Name	Page
SO281	Floor to passenger seat harness connector 2	124
SO289e	Passenger seat to floor harness connector	130
SO291	Passenger seat slide motor harness connector	130
SO292a	Power passenger seat switch harness connector	130
SO293	Passenger seat to passenger back harness connector	130
SO294	Passenger back to passenger seat harness connector	130
SO295	Protocol switch harness connector	130
SO296	Passenger seat angle motors harness connector	130
G21	Floor harness grounding	196

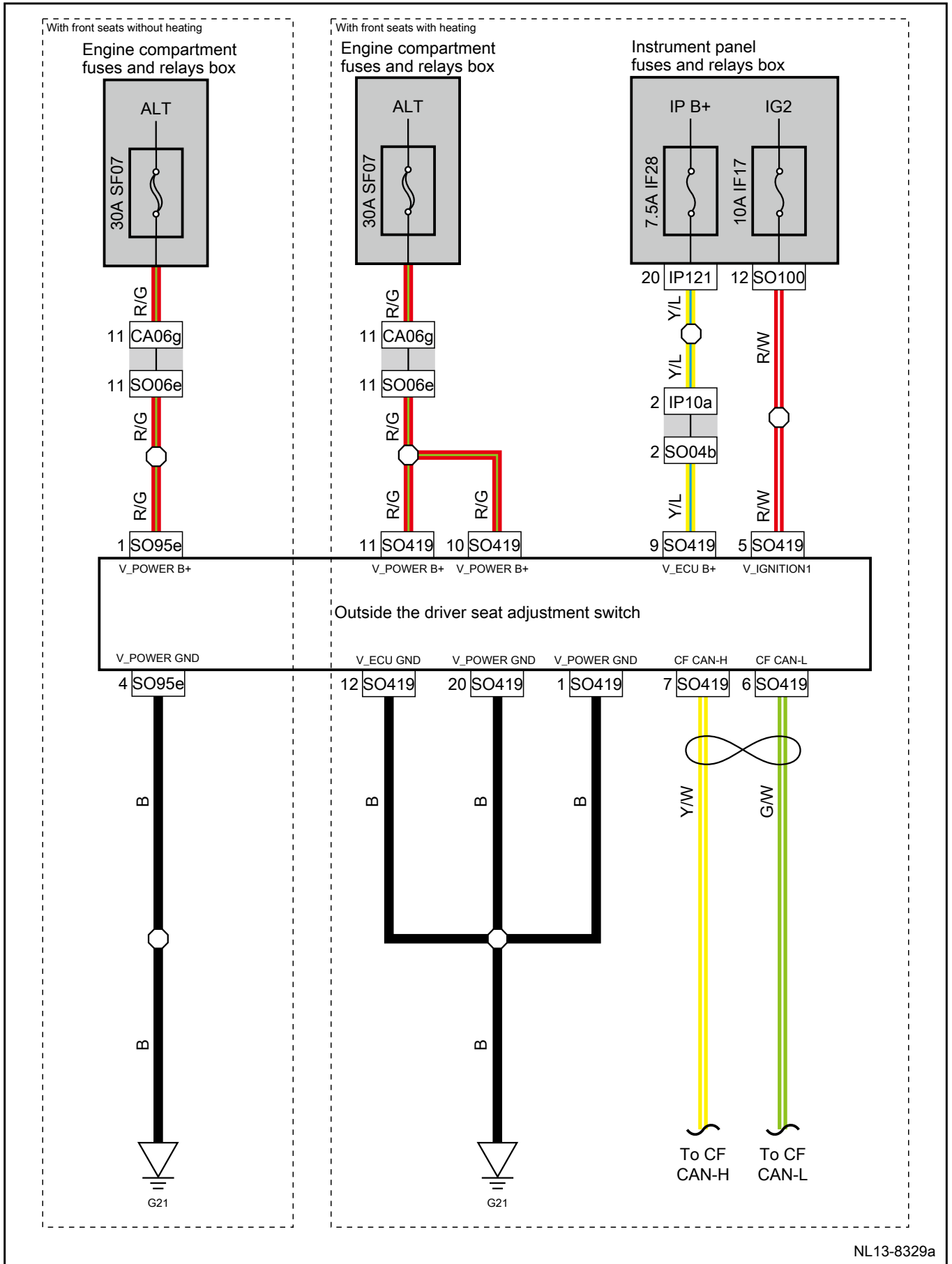
Join point	Explanations	Page
B	To power seat 1(Driving in eight directions)	450

Power seat (Driving in six directions)



Harness connector	Name	Page
CA06g	Engine compartment to floor harness connector	30
SO06e	Floor to engine compartment harness connector	123
SO95c	Floor to driver seat harness connector 1	123
SO140c	Driver seat to floor harness connector 1	129
SO142a	Driver seat slide motor harness connector	129
SO144b	Outside the driver seat adjustment switches harness connector	129
SO146	Driver seat angle motors harness connector	129
SO287a	Driver seat to driver back harness connector	129
SO288a	Driver back to driver seat harness connector	129
SO302a	Driver seat rear up and down motor harness connector	129
G21	Floor harness grounding	196

Power seat(Export)

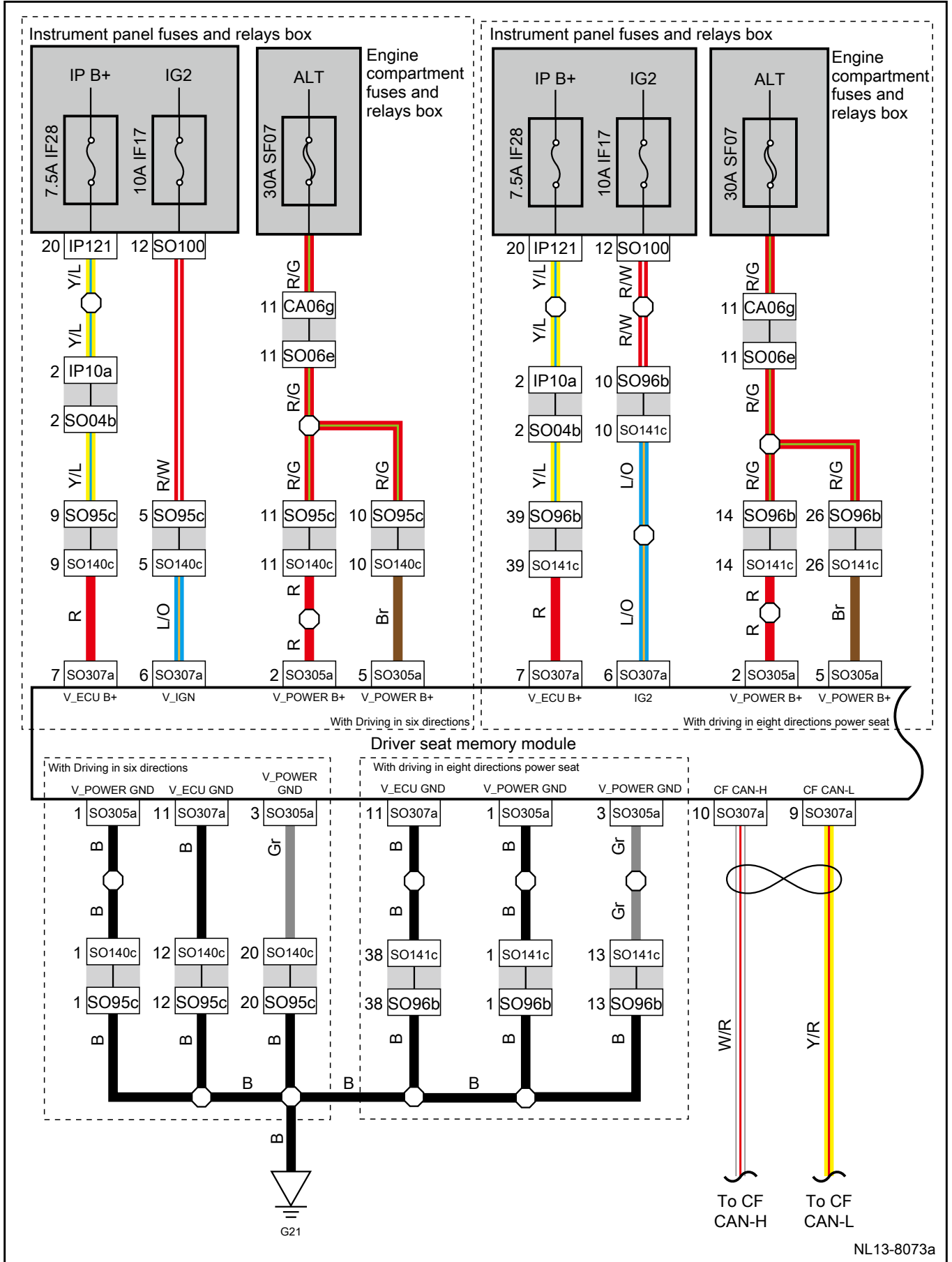


---

Harness connector	Name	Page
CA06g	Engine compartment to floor harness connector	30
IP10a	Instrument panel to floor harness connector 4	79
IP121	Intelligent electrical junction boxes harness connector G	78
SO04b	Floor to instrument panel harness connector 4	124
SO06e	Floor to engine compartment harness connector	123
SO95e	Outside the driver seat adjustment switch harness connector	123
SO100	Intelligent electrical junction boxes harness connector C	123
SO419	Outside the driver seat adjustment switchs harness connector	123
G21	Floor harness grounding	196

Join point	Explanations	Page
SO419-6	To CF CAN-L	600
SO419-7	To CF CAN-H	600

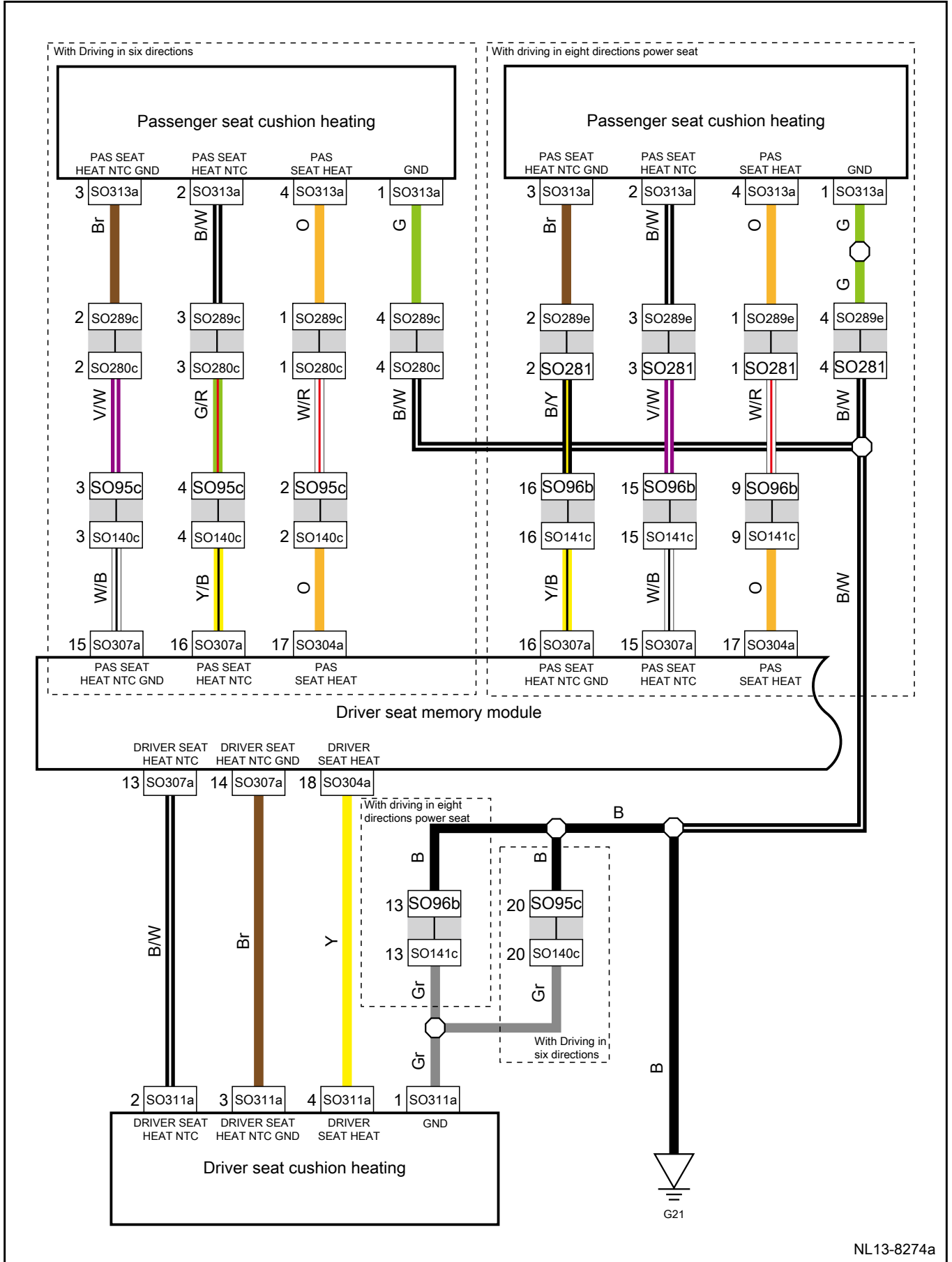
Seat heating 1



Harness connector	Name	Page
CA06g	Engine compartment to floor harness connector	30
IP10a	Instrument panel to floor harness connector 4	79
IP121	Intelligent electrical junction boxes harness connector G	78
SO04b	Floor to instrument panel harness connector 4	124
SO06e	Floor to engine compartment harness connector	123
SO95c	Floor to driver seat harness connector 1	123
SO96b	Floor to driver seat harness connector 2	123
SO100	Intelligent electrical junction boxes harness connector C	123
SO140c	Driver seat to floor harness connector 1	129
SO141c	Driver seat to floor harness connector 2	129
SO305a	Driver seat memory module harness connector 2	129
SO307a	Driver seat memory module harness connector 4	129
G21	Floor harness grounding	196

Join point	Explanations	Page
SO307a-9	To CF CAN-L	600,602
SO307a-10	To CF CAN-H	600,602

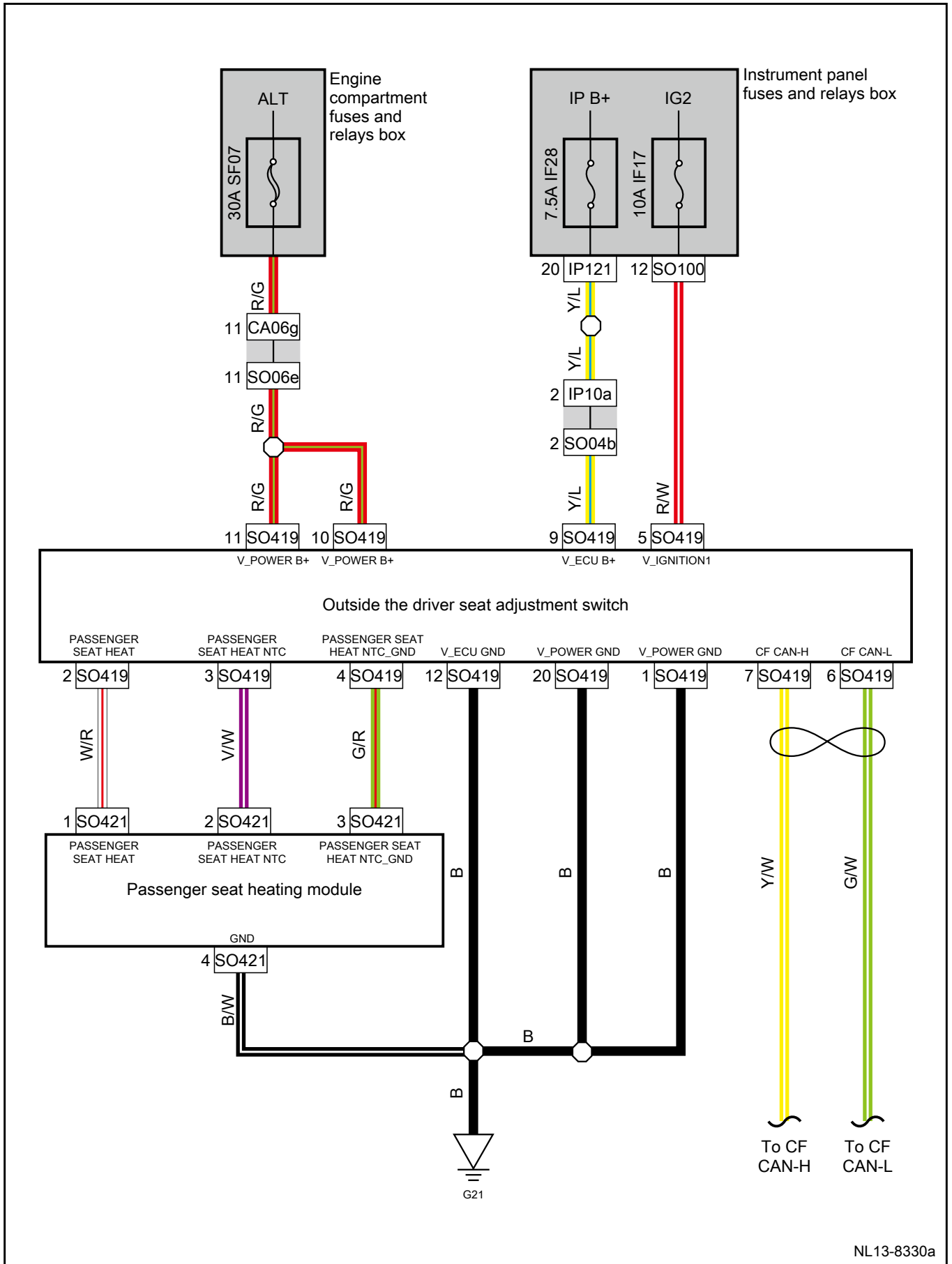
Seat heating 2



NL13-8274a

Harness connector	Name	Page
SO95c	Floor to driver seat harness connector 1	123
SO96b	Floor to driver seat harness connector 2	123
SO140c	Driver seat to floor harness connector 1	129
SO141c	Driver seat to floor harness connector 2	129
SO280c	Floor to passenger seat harness connector 1	124
SO281	Floor to passenger seat harness connector 2	124
SO289c	Passenger seat to floor harness connector 1	130
SO289e	Passenger seat to floor harness connector	130
SO304a	Driver seat memory module harness connector 1	129
SO307a	Driver seat memory module harness connector 4	129
SO311a	Driver seat cushion heating harness connector	129
SO313a	Passenger seat cushion heating harness connector	130
G21	Floor harness grounding	196

Seat heating 1(Export)(Driving electric six-way model)

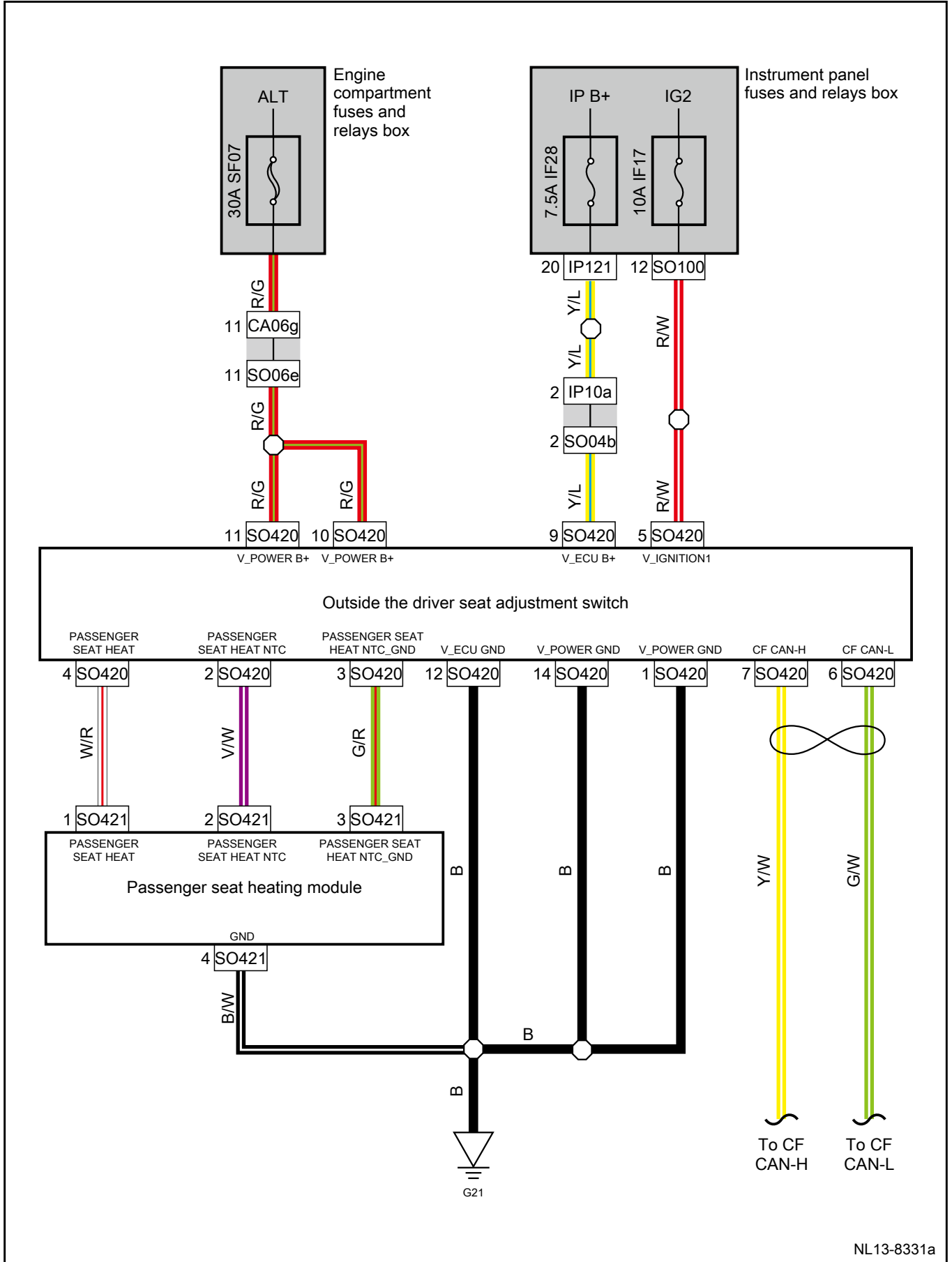


---

Harness connector	Name	Page
CA06g	Engine compartment to floor harness connector	30
IP10a	Instrument panel to floor harness connector 4	79
IP121	Intelligent electrical junction boxes harness connector G	78
SO04b	Floor to instrument panel harness connector 4	124
SO06e	Floor to engine compartment harness connector	123
SO100	Intelligent electrical junction boxes harness connector C	123
SO419	Outside the driver seat adjustment switches harness connector	123
SO421	Passenger seat heating module harness connector	124
G21	Floor harness grounding	196

Join point	Explanations	Page
SO419-6	To CF CAN-L	600
SO419-7	To CF CAN-H	600

Seat heating 2(Export)(Driving manual six-way model)

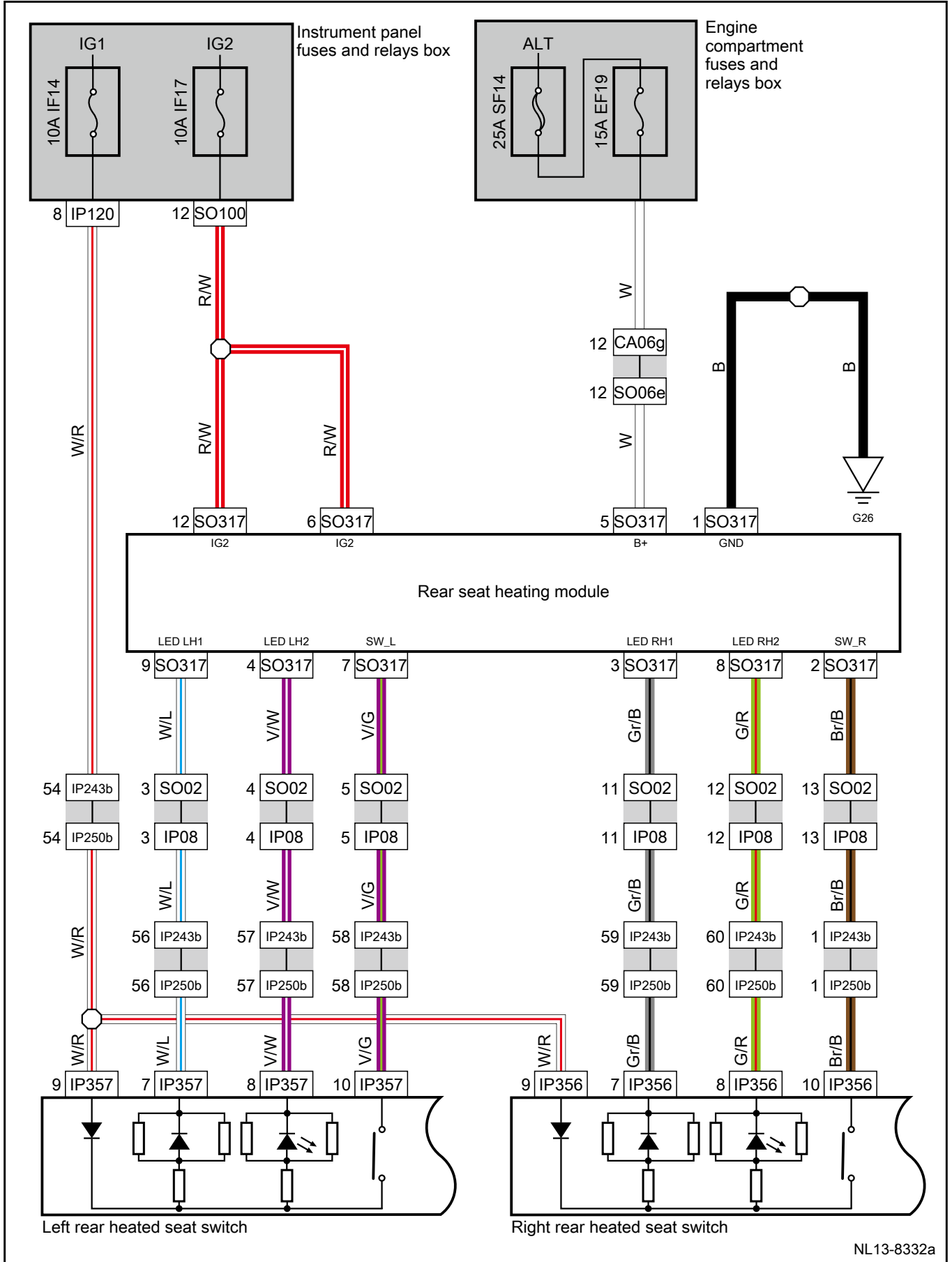


---

Harness connector	Name	Page
CA06g	Engine compartment to floor harness connector	30
IP10a	Instrument panel to floor harness connector 4	79
IP121	Intelligent electrical junction boxes harness connector G	78
SO04b	Floor to instrument panel harness connector 4	124
SO06e	Floor to engine compartment harness connector	123
SO100	Intelligent electrical junction boxes harness connector C	123
SO420	Driver seat heating module harness connector	123
SO421	Passenger seat heating module harness connector	124
G21	Floor harness grounding	196

Join point	Explanations	Page
SO420-6	To CF CAN-L	600
SO420-7	To CF CAN-H	600

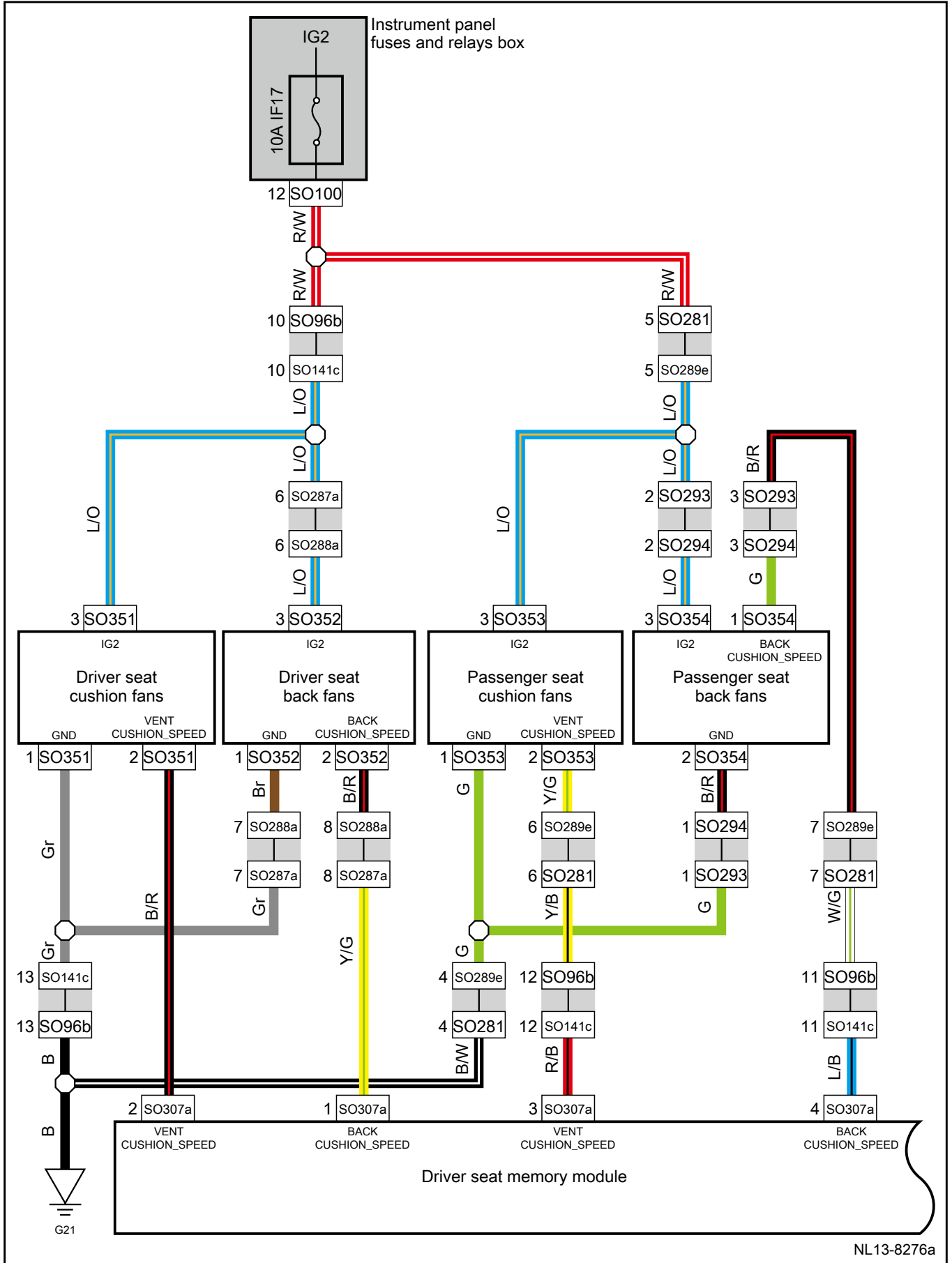
Seat heating 3(Export)



NL13-8332a

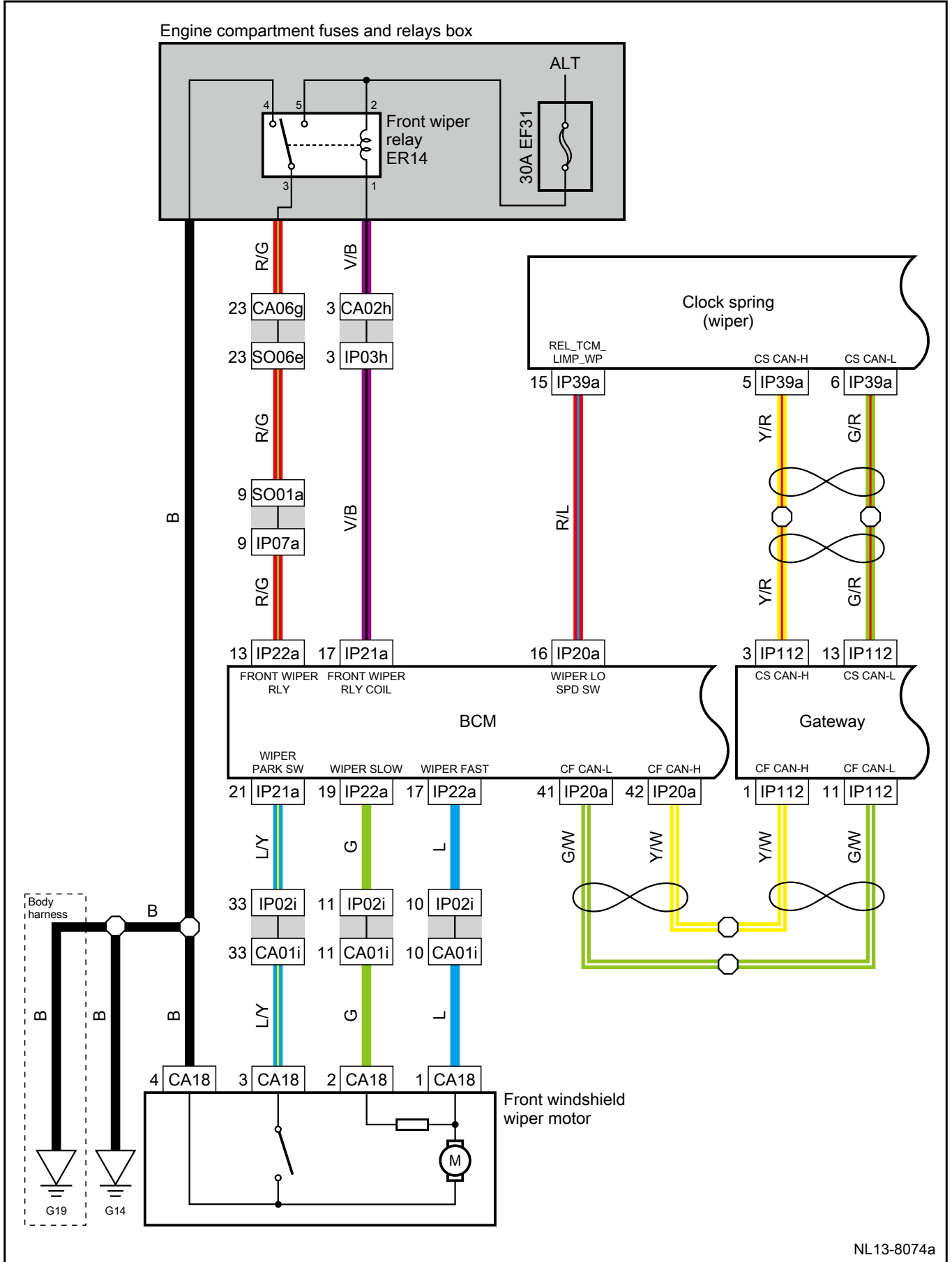
Harness connector	Name	Page
CA06g	Engine compartment to floor harness connector	30
IP08	Instrument panel to floor harness connector 2	78
IP120	Intelligent electrical junction boxes harness connector F	78
IP243b	Instrument panel to Instrument-wire harness connector	78
IP250b	Instrument-wire to Instrument panel harness connector	82
IP356	Right rear heated seat switch harness connector	82
IP357	Left rear heated seat switch harness connector	82
SO02	Floor to instrument panel harness connector 2	123
SO06e	Floor to engine compartment harness connector	123
SO100	Intelligent electrical junction boxes harness connector C	123
SO317	Rear seat heating module harness connector	123
G26	Floor harness grounding	196

Seat ventilation



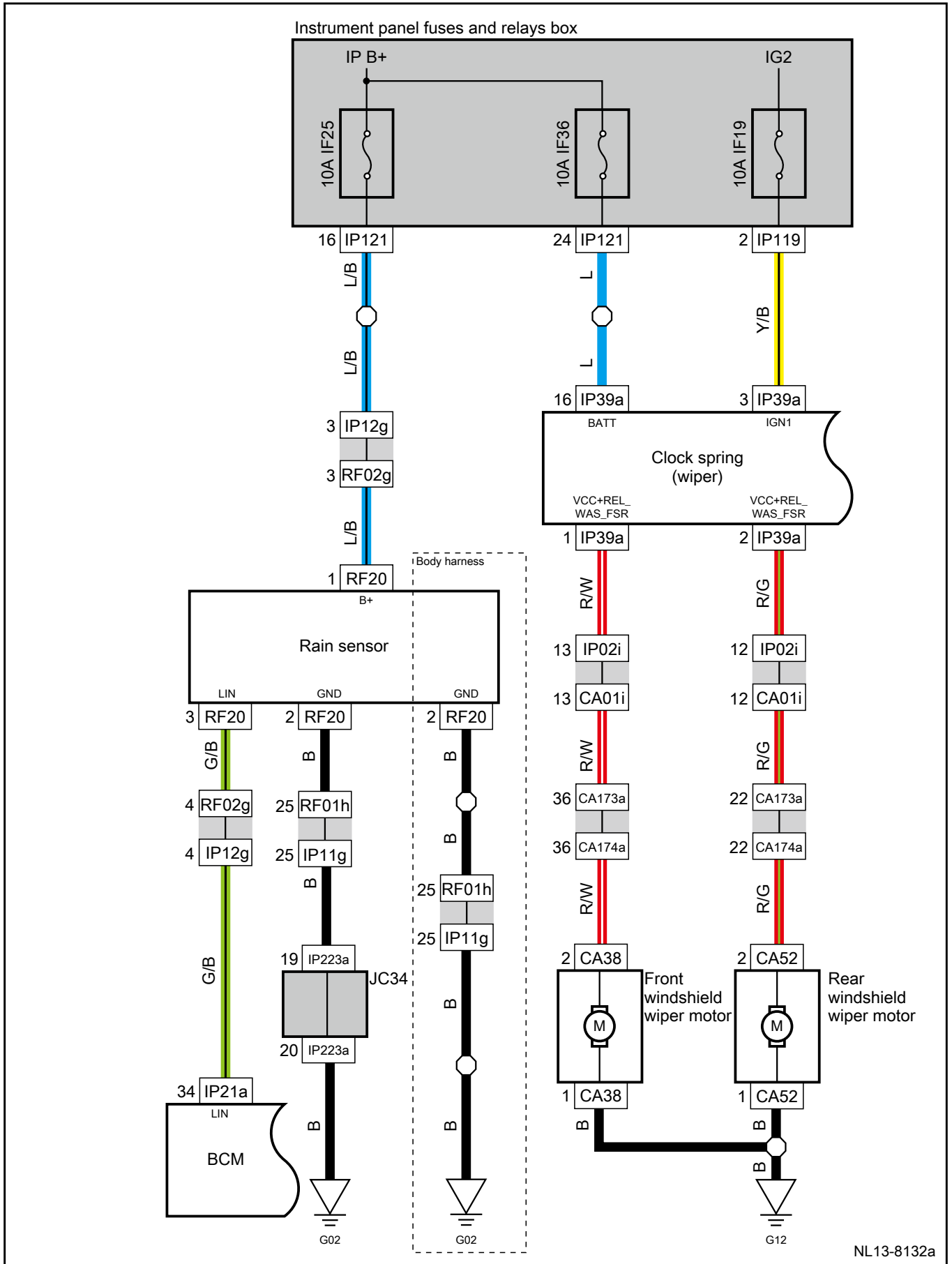
Harness connector	Name	Page
SO96b	Floor to driver seat harness connector 2	123
SO100	Intelligent electrical junction boxes harness connector C	123
SO141c	Driver seat to floor harness connector 2	129
SO281	Floor to passenger seat harness connector 2	124
SO287a	Driver seat to driver back harness connector	129
SO288a	Driver back to driver seat harness connector	129
SO289e	Passenger seat to floor harness connector	130
SO293	Passenger seat to passenger back harness connector	130
SO294	Passenger back to passenger seat harness connector	130
SO307a	Driver seat memory module harness connector 4	129
SO351	Driver seat cushion fans harness connector	129
SO352	Driver seat back fans harness connector	129
SO353	Passenger seat cushion fans harness connector	130
SO354	Passenger seat back fans harness connector	130
G21	Floor harness grounding	196

Front windshield wiper and washer control 1



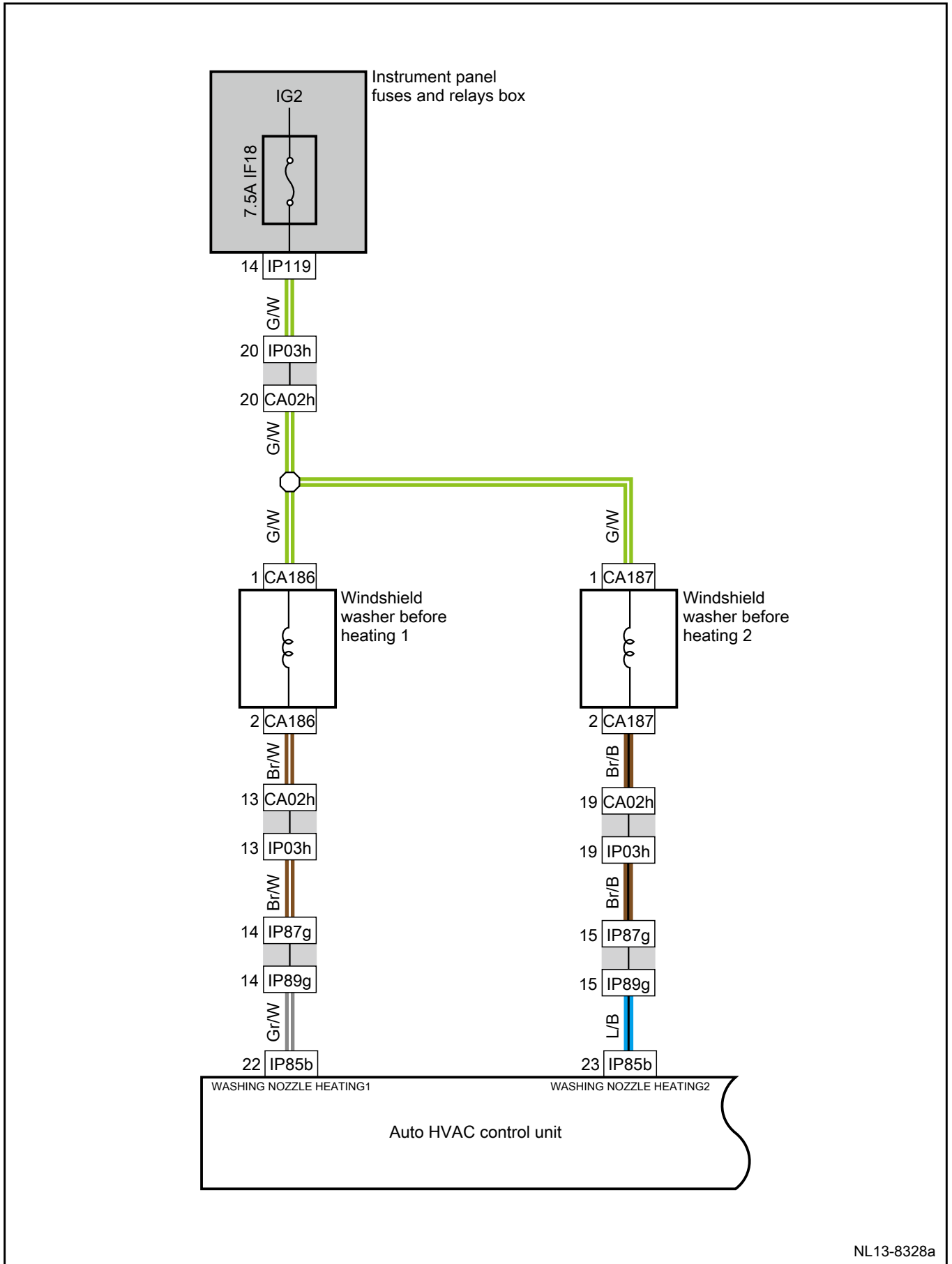
Harness connector	Name	Page
CA01i	Engine compartment to instrument panel harness connector 1	30
CA02h	Engine compartment to instrument panel harness connector 2	30
CA06g	Engine compartment to floor harness connector	30
CA18	Front windshield wiper motor harness connector	29
IP02i	Instrument panel to engine compartment harness connector 1	78
IP03h	Instrument panel to engine compartment harness connector 2	78
IP07a	Instrument panel to floor harness connector 1	78
IP20a	Body control module harness connector 1	78
IP21a	Body control module harness connector 2	78
IP22a	Body control module harness connector 3	78
IP39a	Clock spring harness connector A	79
IP112	Gateway harness connector	78
SO01a	Floor to instrument panel harness connector 1	123
SO06e	Floor to engine compartment harness connector	123
G14	Engine compartment harness grounding	191
G19	Engine compartment harness grounding	191

Front windshield wiper and washer control 2



Harness connector	Name	Page
CA01i	Engine compartment to instrument panel harness connector 1	30
CA38	Front windshield wiper motor harness connector	32
CA52	Rear windshield wiper motor harness connector	32
CA173a	Engine compartment to front-end module harness connector	29
CA174a	Front-end module to engine compartment harness connector	32
IP02i	Instrument panel to engine compartment harness connector 1	78
IP11g	Instrument panel to roof harness connector 1	80
IP12g	Instrument panel to roof harness connector 2	78
IP21a	Body control module harness connector 2	78
IP39a	Clock spring harness connector A	79
IP119	Intelligent electrical junction boxes harness connector E	78
IP121	Intelligent electrical junction boxes harness connector G	78
IP223a	JC34 harness connector	78
RF01h	Roof to instrument panel harness connector 1	117
RF02g	Roof to instrument panel harness connector 2	117
RF20	Rain sensor harness connector	117
G02	Instrument panel harness grounding	195
G12	Front-end module harness grounding	192

Front windshield wiper and washer control 3

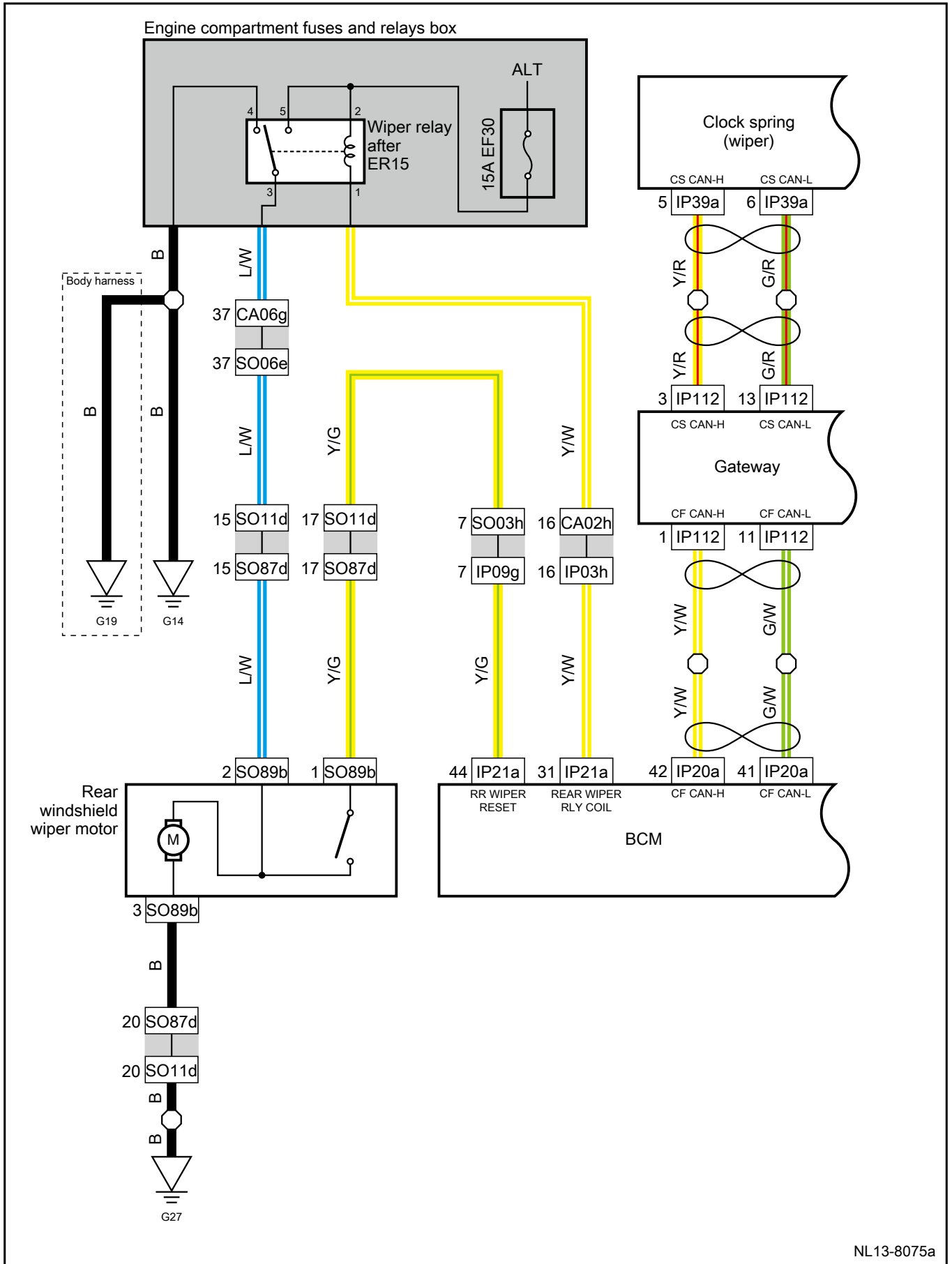


NL13-8328a

---

Harness connector	Name	Page
CA02h	Engine compartment to instrument panel harness connector 2	30
CA186	Windshield washer before heating harness connector	29
CA187	Windshield washer before heating harness connector	29
IP03h	Instrument panel to engine compartment harness connector 2	78
IP85b	Auto HVAC Control Unit harness connector	83
IP87g	Instrument panel to Auto HVAC harness connector A	79
IP89g	Auto HVAC to instrument panel harness connector A	83
IP119	Intelligent electrical junction boxes harness connector E	78

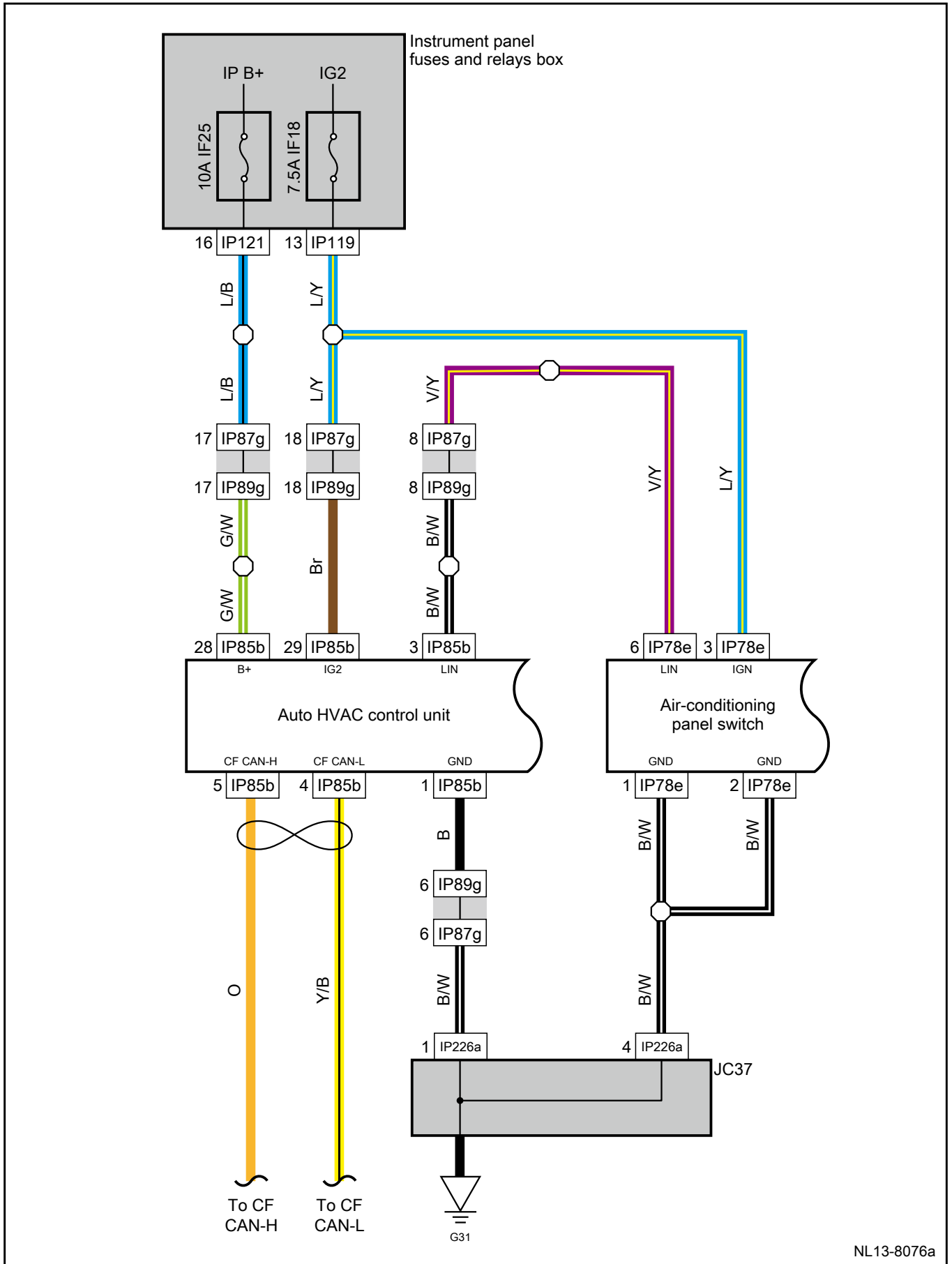
Rear windshield wiper and washer control



NL13-8075a

Harness connector	Name	Page
CA02h	Engine compartment to instrument panel harness connector 2	30
CA06g	Engine compartment to floor harness connector	30
IP03h	Instrument panel to engine compartment harness connector 2	78
IP09g	Instrument panel to floor harness connector 3	80
IP20a	Body control module harness connector 1	78
IP21a	Body control module harness connector 2	78
IP39a	Clock spring harness connector A	79
IP112	Gateway harness connector	78
SO03h	Floor to instrument panel harness connector 3	124
SO06e	Floor to engine compartment harness connector	123
SO11d	Floor to trunk door harness connector A	124
SO87d	Trunk door to floor harness connector A	126
SO89b	Rear windshield wiper motor harness connector	126
G14	Engine compartment harness grounding	191
G19	Engine compartment harness grounding	191
G27	Floor harness grounding	196

Power supply and data (Auto HVAC)



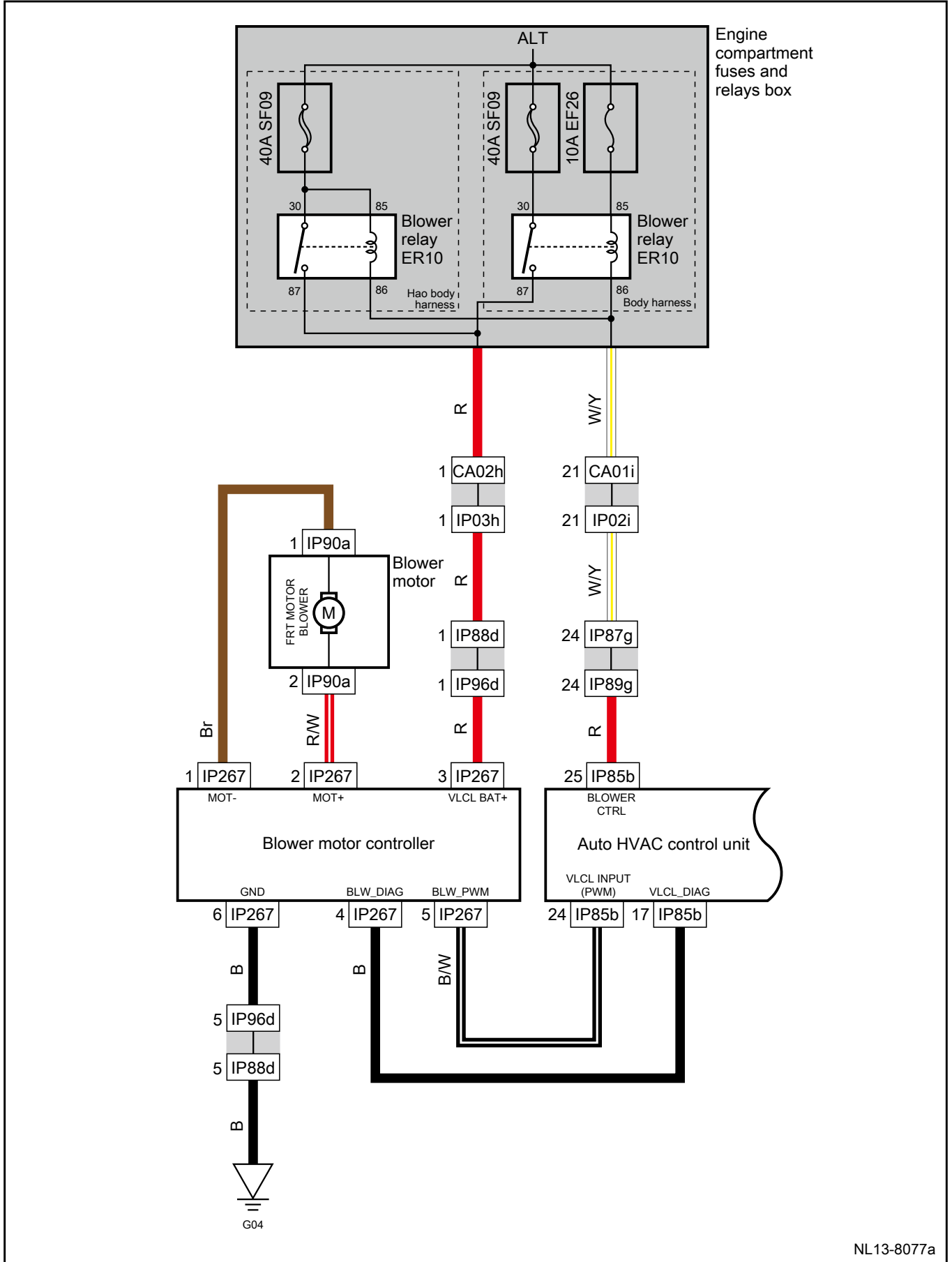
NL13-8076a

---

Harness connector	Name	Page
IP78e	Air-conditioning panel switch harness connector	80
IP85b	Auto HVAC Control Unit harness connector	83
IP87g	Instrument panel to Auto HVAC harness connector A	79
IP89g	Auto HVAC to instrument panel harness connector A	83
IP119	Intelligent electrical junction boxes harness connector E	78
IP121	Intelligent electrical junction boxes harness connector G	78
IP226a	JC37 harness connector	78
G31	Instrument panel harness grounding	195

Join point	Explanations	Page
IP85b-5	To CF CAN-H	596,598
IP85b-4	To CF CAN-L	596,598

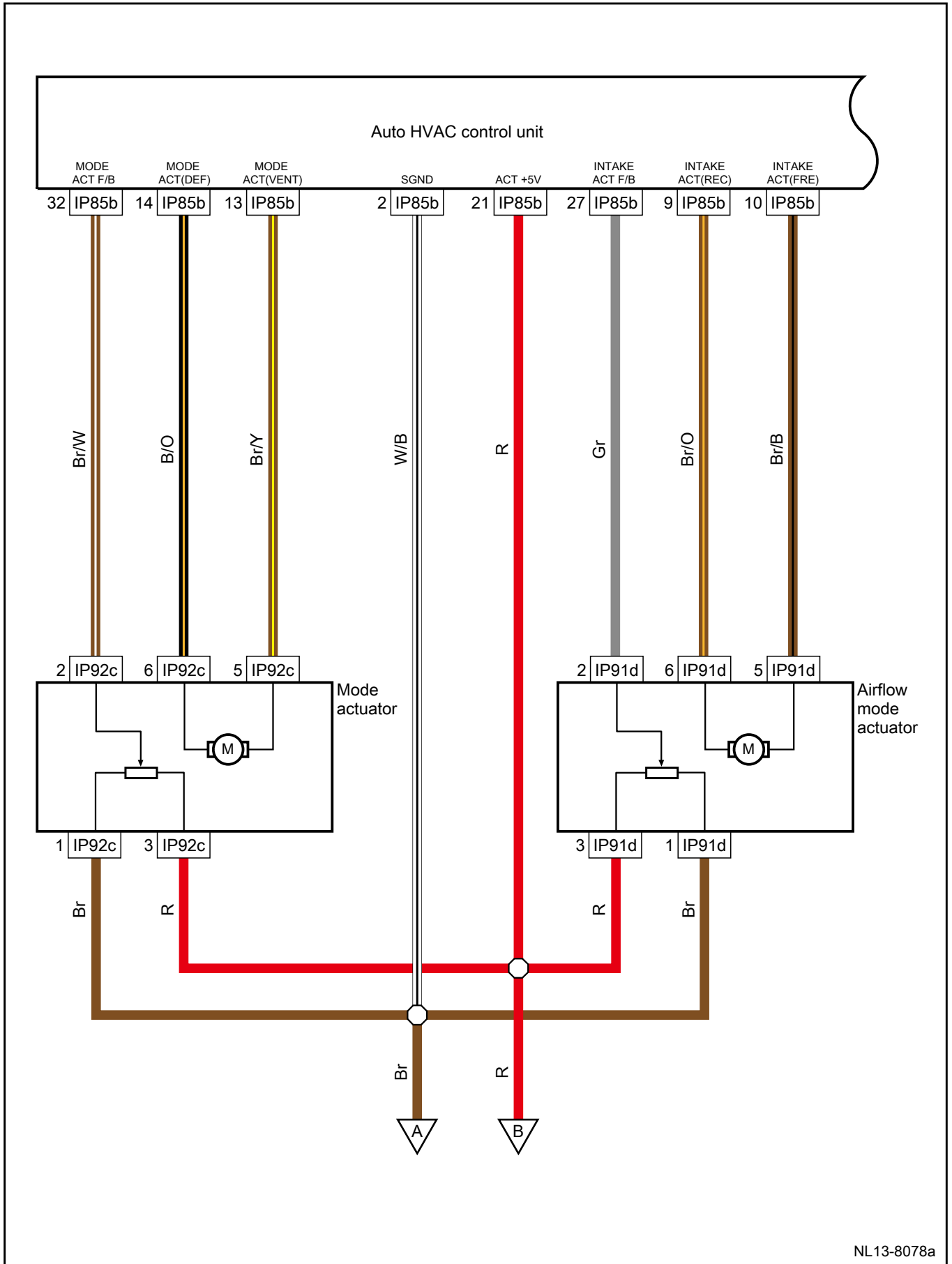
Pressure switch and blower (Auto HVAC)



---

Harness connector	Name	Page
CA01i	Engine compartment to instrument panel harness connector 1	30
CA02h	Engine compartment to instrument panel harness connector 2	30
IP02i	Instrument panel to engine compartment harness connector 1	78
IP03h	Instrument panel to engine compartment harness connector 2	78
IP85b	Auto HVAC Control Unit harness connector	83
IP87g	Instrument panel to Auto HVAC harness connector A	79
IP88d	Instrument panel to Auto HVAC harness connector B	78
IP89g	Auto HVAC to instrument panel harness connector A	83
IP90a	Blower motor harness connector	83
IP96d	Auto HVAC to instrument panel harness connector B	83
IP267	Blower motor controller harness connector	83
G04	Instrument panel harness grounding	195

Mode control (Auto HVAC)



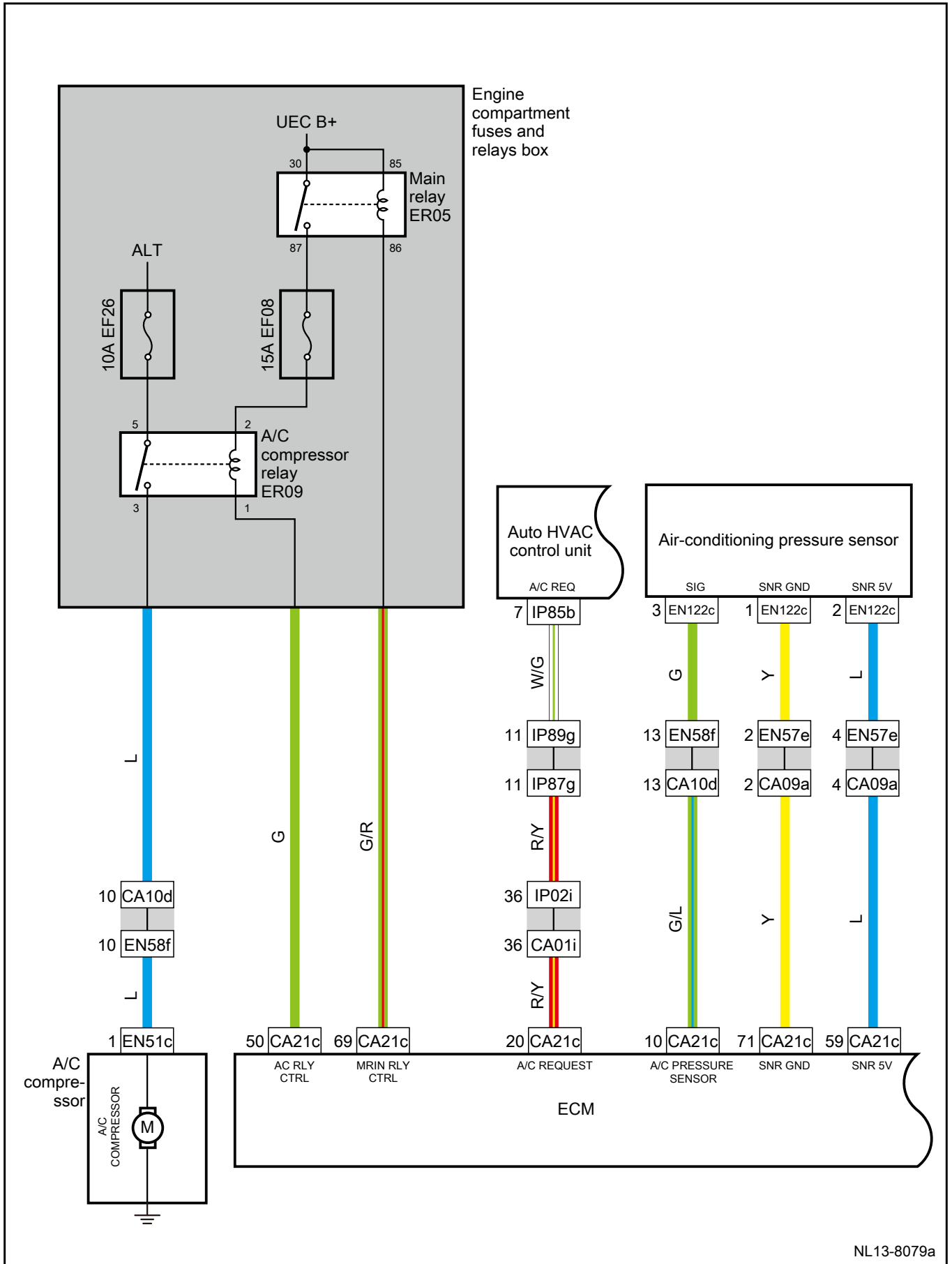
NL13-8078a

---

Harness connector	Name	Page
IP85b	Auto HVAC Control Unit harness connector	83
IP91d	Airflow mode actuator harness connector	83
IP92c	Mode actuator harness connector	83

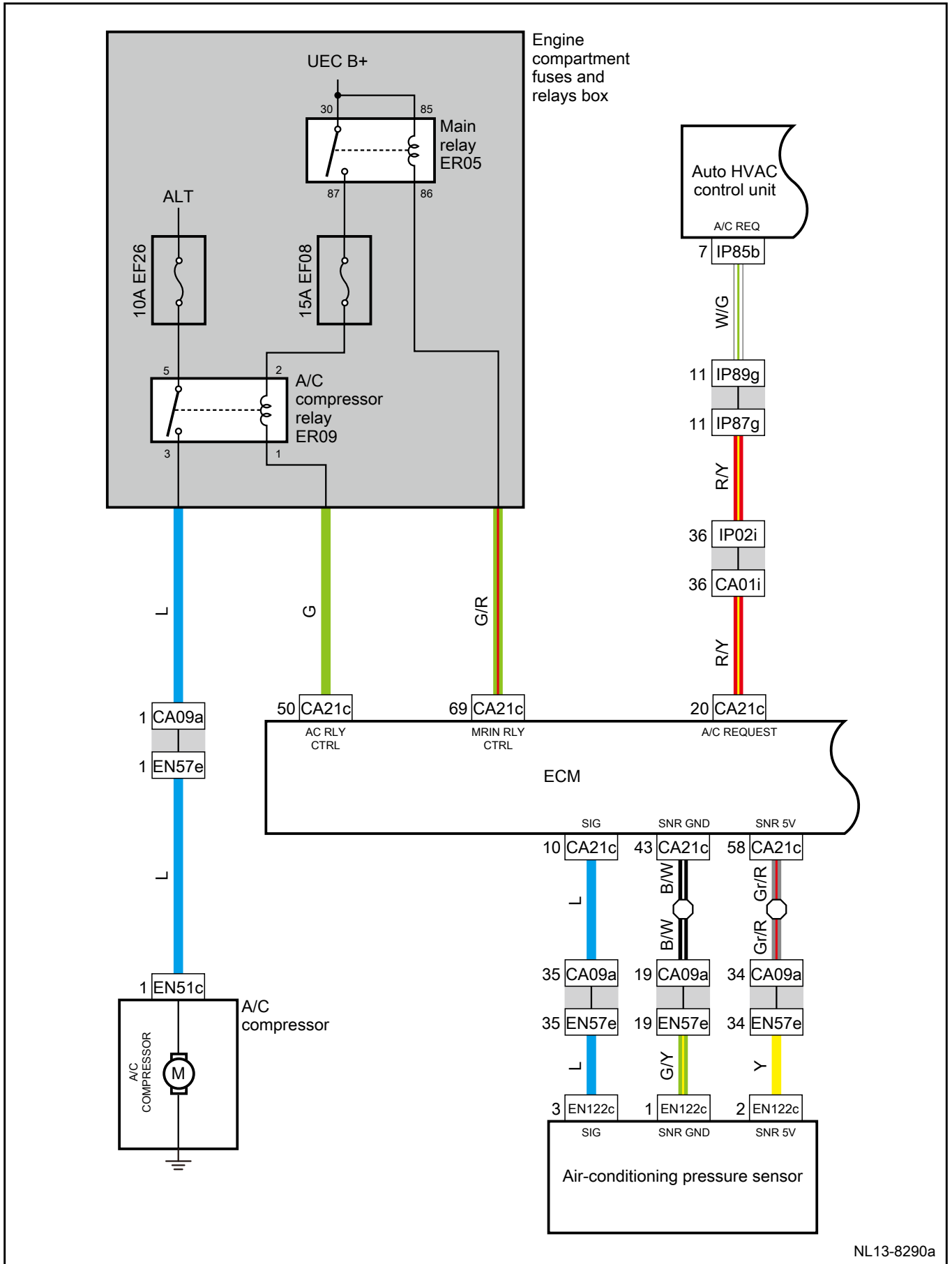
Join point	Explanations	Page
A	To Temperature control 1(Auto HVAC)	492
	To Temperature control 2(Auto HVAC)	494
B	To Temperature control 1(Auto HVAC)	492

Compressor control (Auto HVAC)-JLH\_3G15TD



Harness connector	Name	Page
CA01i	Engine compartment to instrument panel harness connector 1	30
CA09a	Engine compartment to engine harness connector 1	29
CA10d	Engine compartment to engine harness connector 2	29
CA21c	Engine control module harness connector 2	29
EN51c	A/C compressor harness connector	50
EN57e	Engine to engine compartment harness connector 1	50
EN58f	Engine to engine compartment harness connector 2	50
EN122c	Air-conditioning pressure sensor harness connector	49
IP02i	Instrument panel to engine compartment harness connector 1	78
IP85b	Auto HVAC Control Unit harness connector	83
IP87g	Instrument panel to Auto HVAC harness connector A	79
IP89g	Auto HVAC to instrument panel harness connector A	83

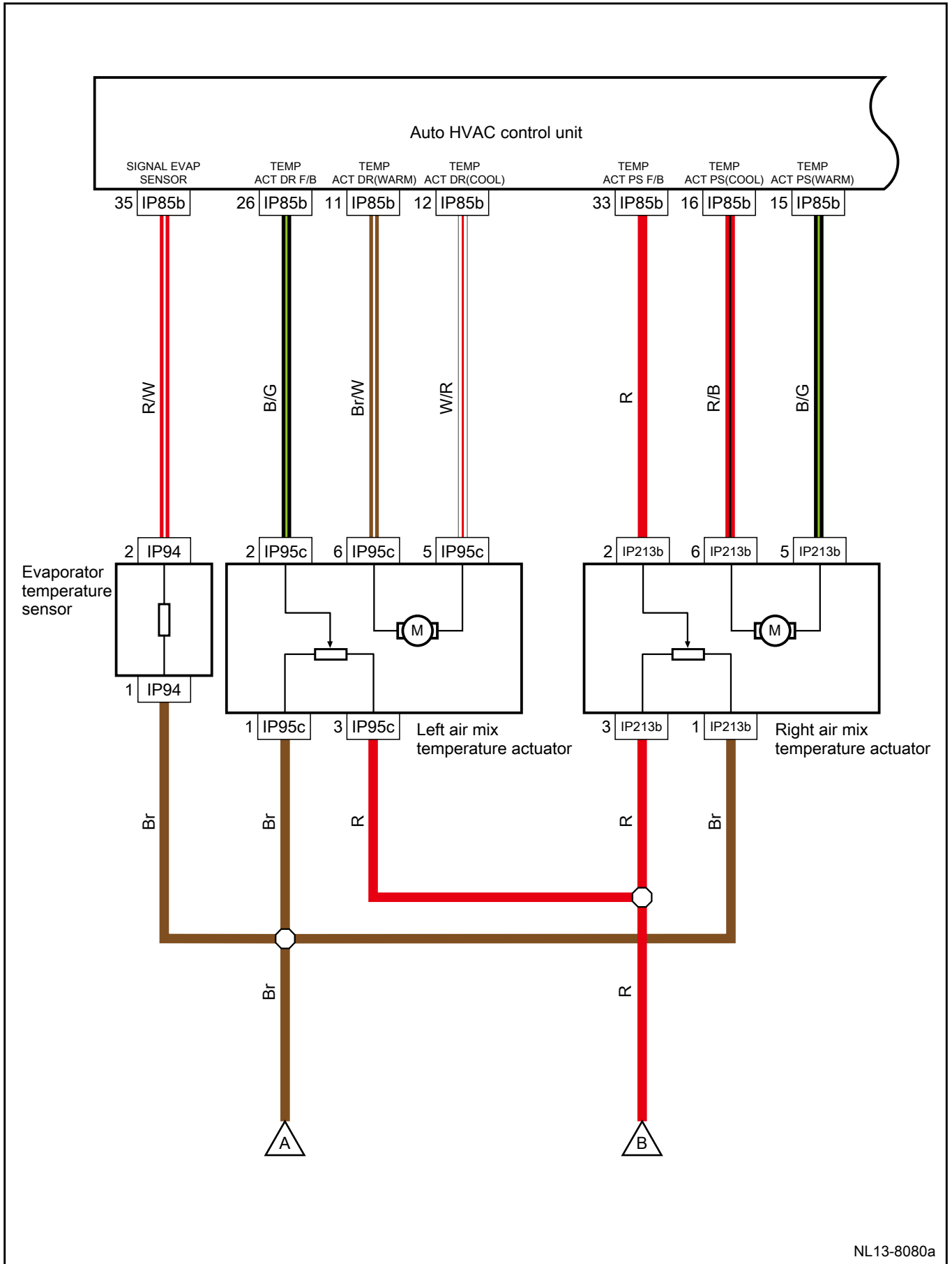
Compressor control (Auto HVAC)-JLE\_4G18TD



NL13-8290a

Harness connector	Name	Page
CA01i	Engine compartment to instrument panel harness connector 1	30
CA09a	Engine compartment to engine harness connector 1	29
CA21c	Engine control module harness connector 2	29
EN51c	A/C compressor harness connector	65
EN57e	Engine to engine compartment harness connector 1	65
EN122c	Air-conditioning pressure sensor harness connector	65
IP02i	Instrument panel to engine compartment harness connector 1	78
IP85b	Auto HVAC Control Unit harness connector	83
IP87g	Instrument panel to Auto HVAC harness connector A	79
IP89g	Auto HVAC to instrument panel harness connector A	83

Temperature control 1(Auto HVAC)



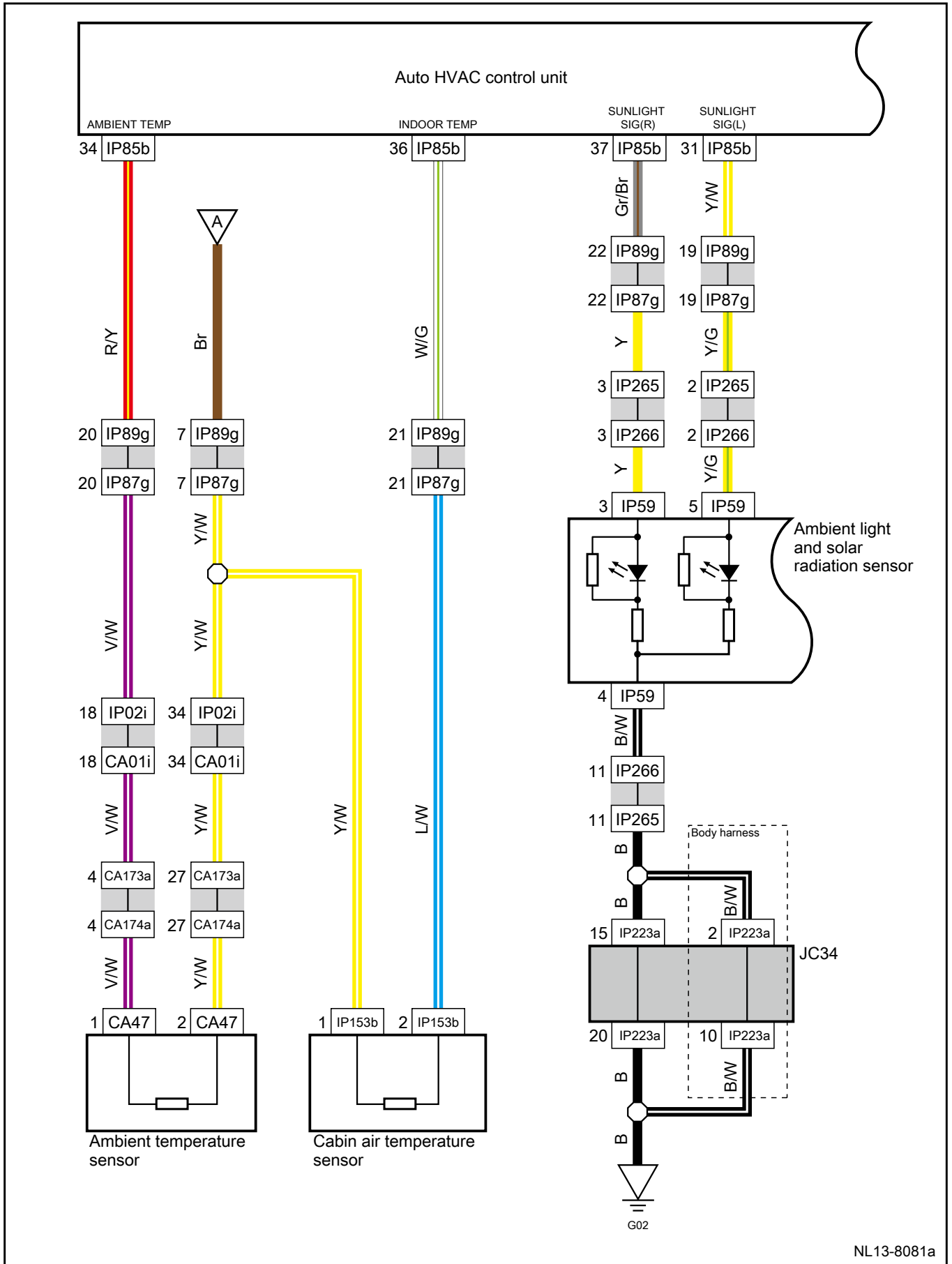
NL13-8080a

---

Harness connector	Name	Page
IP85b	Auto HVAC Control Unit harness connector	83
IP94	Evaporator temperature sensor harness connector	83
IP95c	Left air mix temperature actuator harness connector	83
IP213b	Right air mix temperature actuator harness connector	83

Join point	Explanations	Page
A	To mode control (Auto HVAC)	486
B	To mode control (Auto HVAC)	486

Temprature control 2(Auto HVAC)

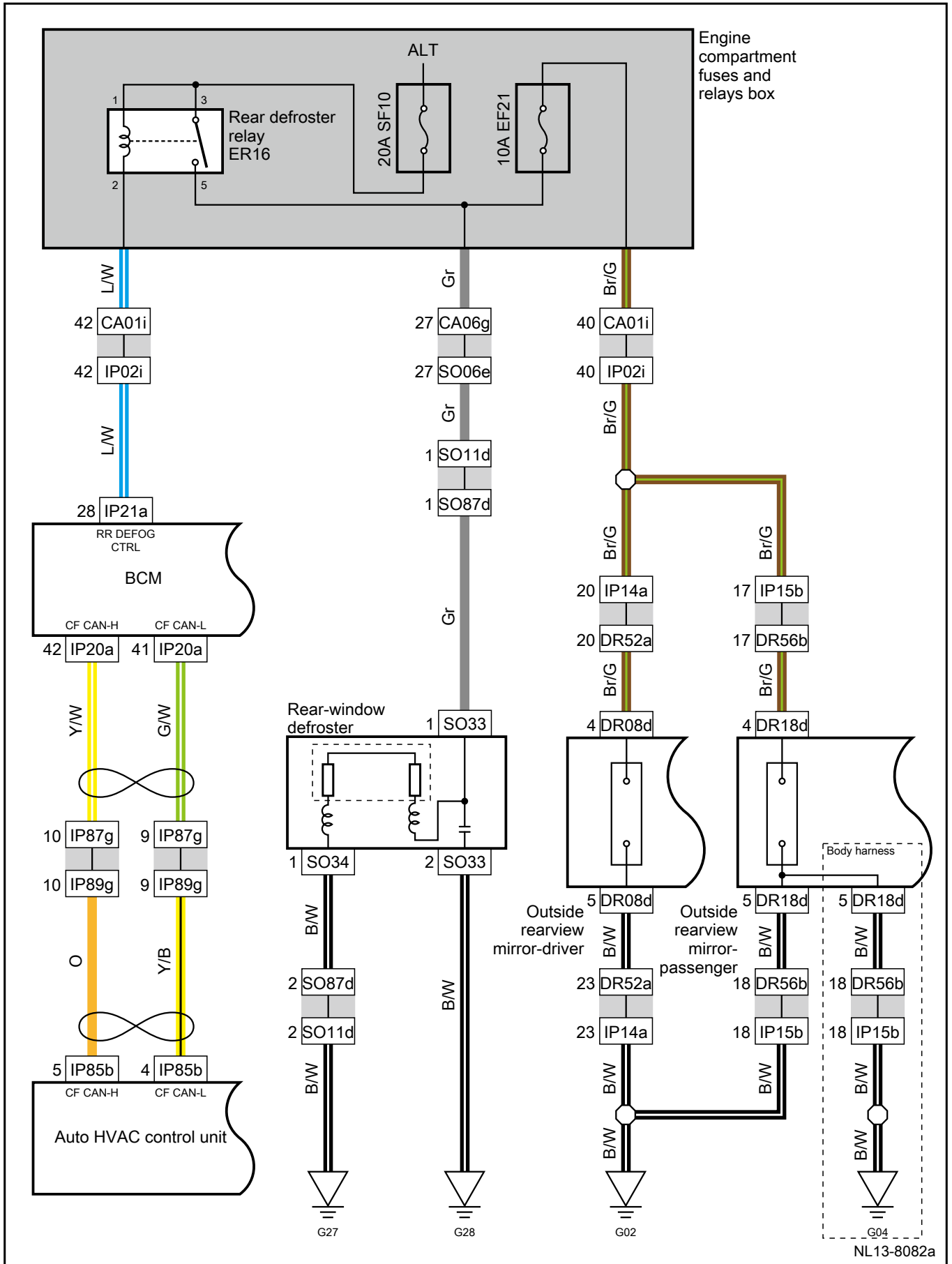


NL13-8081a

Harness connector	Name	Page
CA01i	Engine compartment to instrument panel harness connector 1	30
CA47	Ambient temperature sensor harness connector	32
CA173a	Engine compartment to front-end module harness connector	29
CA174a	Front-end module to engine compartment harness connector	32
IP02i	Instrument panel to engine compartment harness connector 1	78
IP59	Ambient light and solar radiation sensor harness connector	82
IP85b	Auto HVAC Control Unit harness connector	83
IP87g	Instrument panel to Auto HVAC harness connector A	79
IP89g	Auto HVAC to instrument panel harness connector A	83
IP153b	Cabin air temperature sensor harness connector	79
IP223a	JC34 harness connector	78
IP265	Instrument panel to solar radiation sensor harness connector	79
IP266	Solar radiation sensor to instrument panel harness connector	82
G02	Instrument panel harness grounding	195

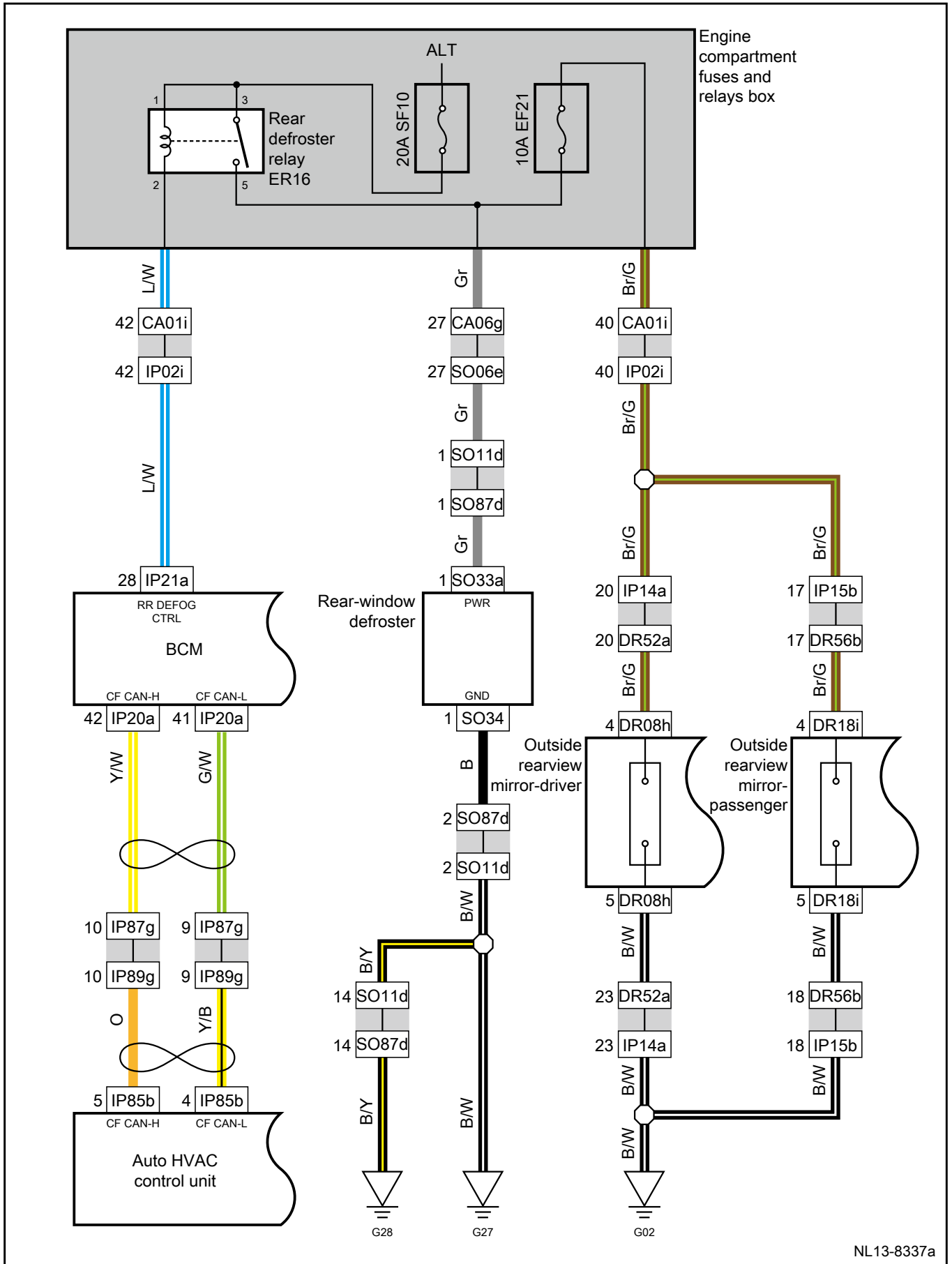
Join point	Explanations	Page
A	To mode control (Auto HVAC)	486

Defroster control system 1 (type 1)



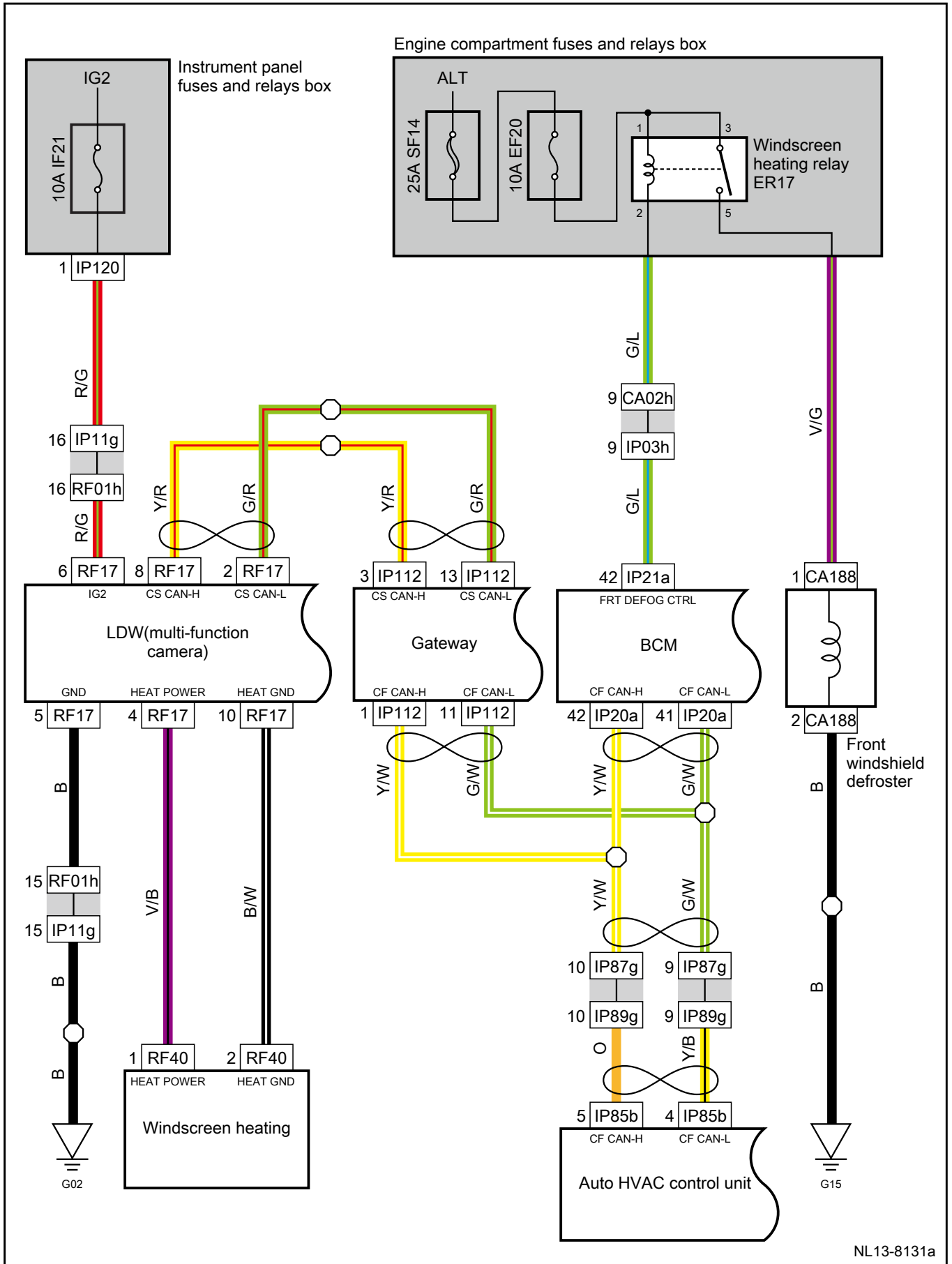
Harness connector	Name	Page
CA01i	Engine compartment to instrument panel harness connector 1	30
CA06g	Engine compartment to floor harness connector	30
DR08d	Outside Rearview Mirror-Driver harness connector 1	171
DR18d	Outside rearview mirror-passenger harness connector 1	172
DR52a	Driver side door to instrument panel harness connector 2	171
DR56b	Passenger side door to instrument panel harness connector 1	172
IP02i	Instrument panel to engine compartment harness connector 1	78
IP14a	Instrument panel to driver side door harness connector 2	78
IP15b	Instrument panel to passenger side door harness connector 1	79
IP20a	Body control module harness connector 1	78
IP21a	Body control module harness connector 2	78
IP85b	Auto HVAC Control Unit harness connector	83
IP87g	Instrument panel to Auto HVAC harness connector A	79
IP89g	Auto HVAC to instrument panel harness connector A	83
SO06e	Floor to engine compartment harness connector	123
SO11d	Floor to trunk door harness connector A	124
SO33	Rear window defroster harness connector (+ )	126
SO34	Rear window defroster harness connector (- )	123
SO87d	Trunk door to floor harness connector A	126
G02	Instrument panel harness grounding	195
G04	Instrument panel harness grounding	195
G27	Floor harness grounding	196
G28	Trunk door harness grounding	197

Defroster control system 1 (type 2)



Harness connector	Name	Page
CA01i	Engine compartment to instrument panel harness connector 1	30
CA06g	Engine compartment to floor harness connector	30
DR08h	Outside Rearview Mirror-Driver harness connector 1	171
DR18i	Outside rearview mirror-passenger harness connector 1	172
DR52a	Driver side door to instrument panel harness connector 2	171
DR56b	Passenger side door to instrument panel harness connector 1	172
IP02i	Instrument panel to engine compartment harness connector 1	78
IP14a	Instrument panel to driver side door harness connector 2	78
IP15b	Instrument panel to passenger side door harness connector 1	79
IP20a	Body control module harness connector 1	78
IP21a	Body control module harness connector 2	78
IP85b	Auto HVAC Control Unit harness connector	83
IP87g	Instrument panel to Auto HVAC harness connector A	79
IP89g	Auto HVAC to instrument panel harness connector A	83
SO06e	Floor to engine compartment harness connector	123
SO11d	Floor to trunk door harness connector A	124
SO33	Rear window defroster harness connector (+ )	126
SO34	Rear window defroster harness connector (- )	123
SO87d	Trunk door to floor harness connector A	126
G02	Instrument panel harness grounding	195
G04	Instrument panel harness grounding	195
G27	Floor harness grounding	196
G28	Trunk door harness grounding	197

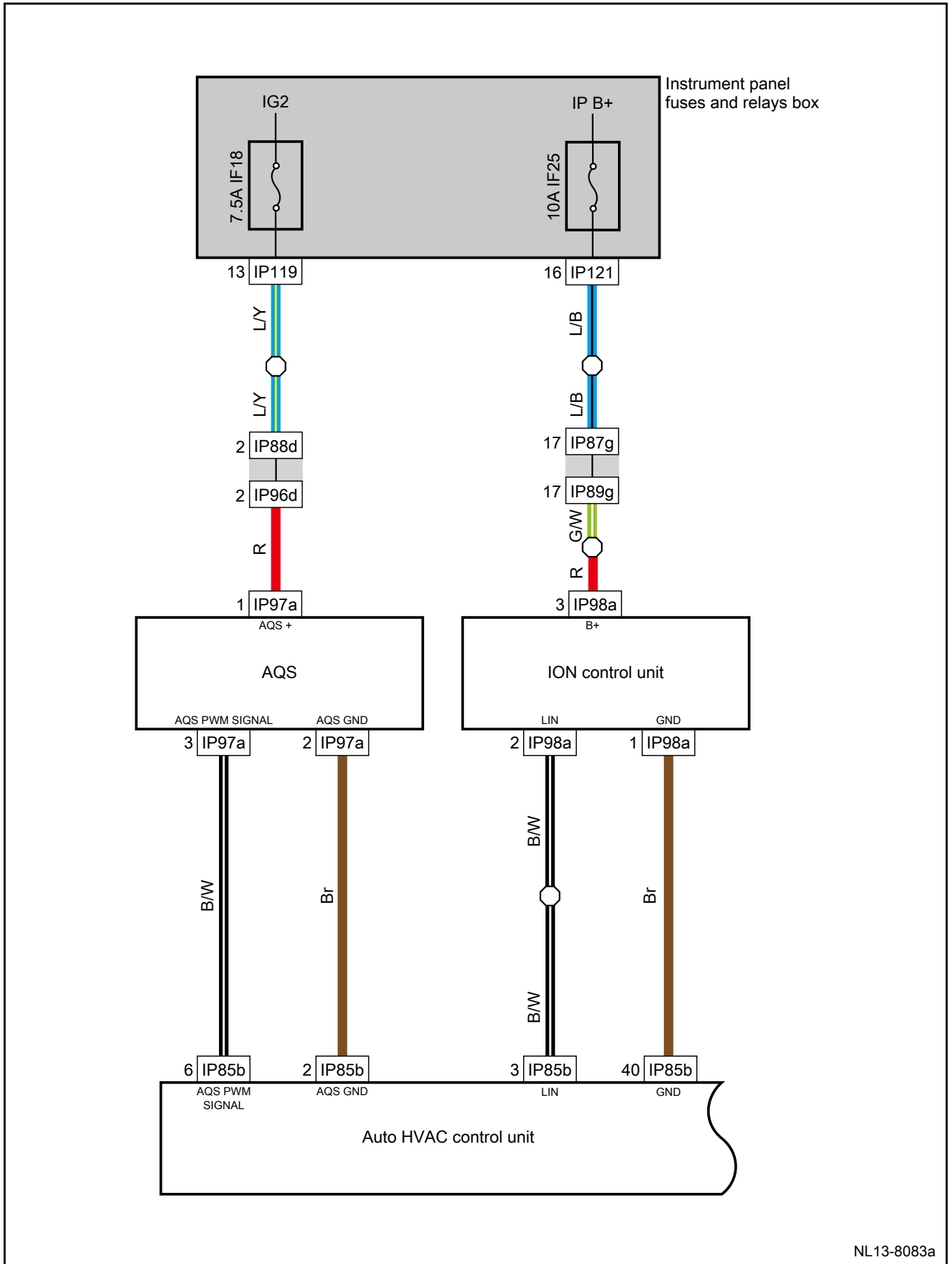
Defroster control system 2



NL13-8131a

Harness connector	Name	Page
CA02h	Engine compartment to instrument panel harness connector 2	30
CA188	Front windshield defroster harness connector	29
IP03h	Instrument panel to engine compartment harness connector 2	78
IP11g	Instrument panel to roof harness connector 1	80
IP20a	Body control module harness connector 1	78
IP21a	Body control module harness connector 2	78
IP85b	Auto HVAC Control Unit harness connector	83
IP87g	Instrument panel to Auto HVAC harness connector A	79
IP89g	Auto HVAC to instrument panel harness connector A	83
IP112	Gateway harness connector	78
IP120	Intelligent electrical junction boxes harness connector F	78
RF01h	Roof to instrument panel harness connector 1	117
RF17	LDW(multi-function camera) harness connector	117
RF40	Front windshield defroster harness connector	117
G02	Instrument panel harness grounding	195
G15	Engine compartment harness grounding	191

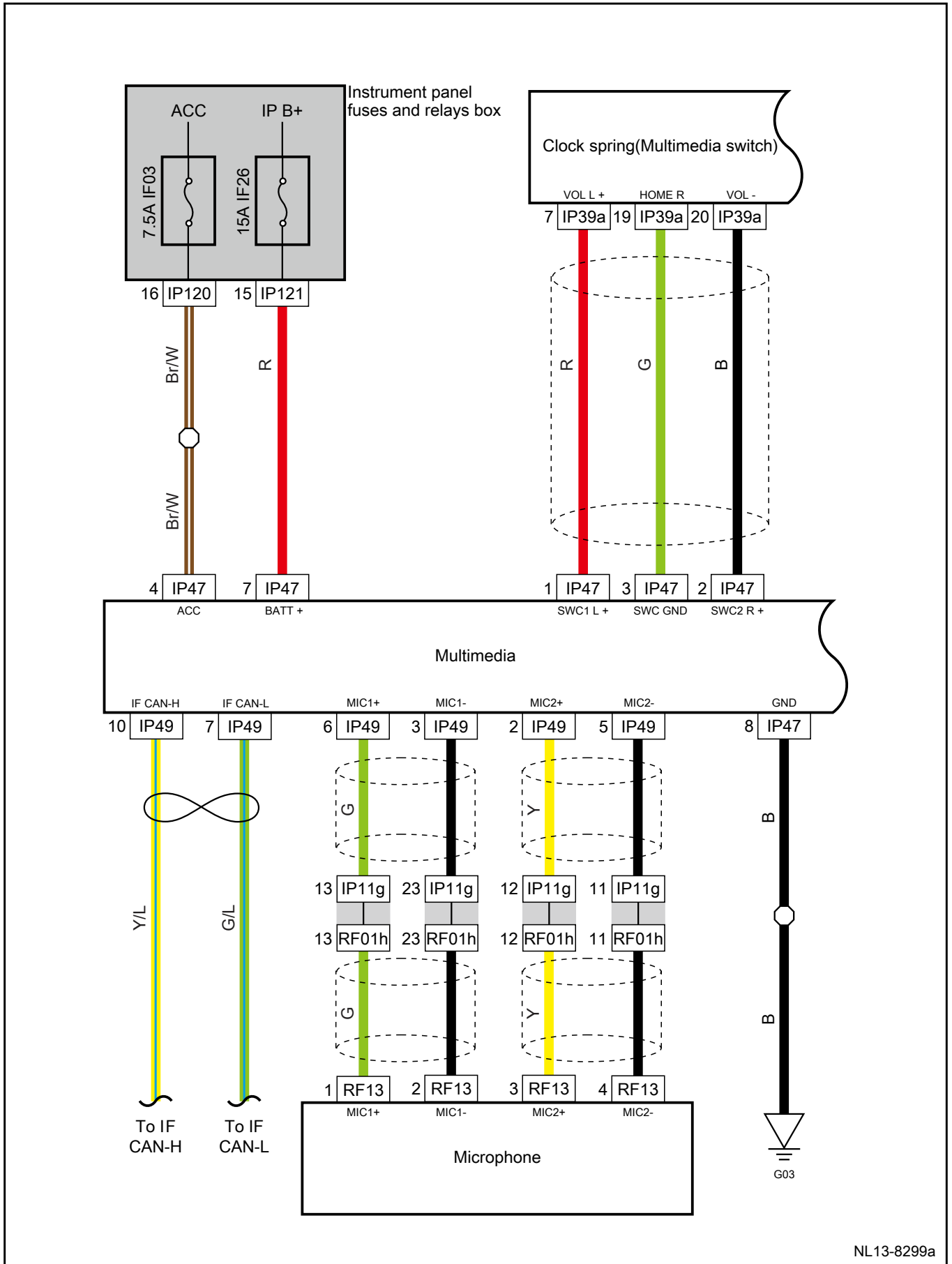
Air quality system



---

Harness connector	Name	Page
IP85b	Auto HVAC Control Unit harness connector	83
IP87g	Instrument panel to Auto HVAC harness connector A	79
IP88d	Instrument panel to Auto HVAC harness connector B	78
IP89g	Auto HVAC to instrument panel harness connector A	83
IP96d	Auto HVAC to instrument panel harness connector B	83
IP97a	Air quality management system harness connector	83
IP98a	ION control unit harness connector	81
IP119	Intelligent electrical junction boxes harness connector E	78
IP121	Intelligent electrical junction boxes harness connector G	78

Power supply and data 1(Multimedia)



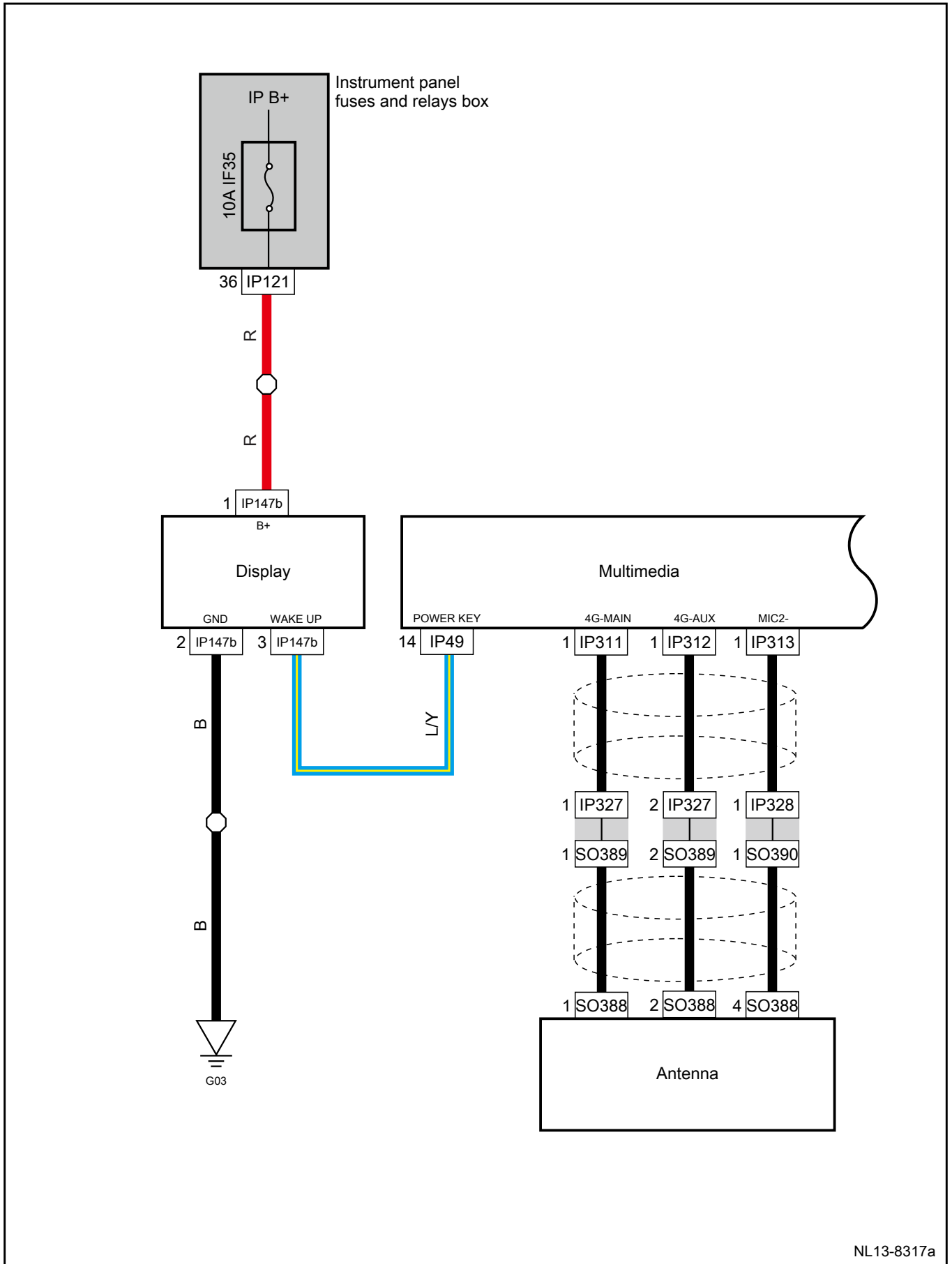
NL13-8299a

---

Harness connector	Name	Page
IP11g	Instrument panel to roof harness connector 1	80
IP39a	Clock spring harness connector A	79
IP47	Multimedia harness connector A	79
IP49	Multimedia harness connector C	80
IP120	Intelligent electrical junction boxes harness connector F	78
IP121	Intelligent electrical junction boxes harness connector G	78
RF01h	Roof to instrument panel harness connector 1	117
RF13	Microphone harness connector	117
G03	Instrument panel harness grounding	195

Join point	Explanations	Page
IP49-10	To IF CAN-H	590
IP49-7	To IF CAN-L	590

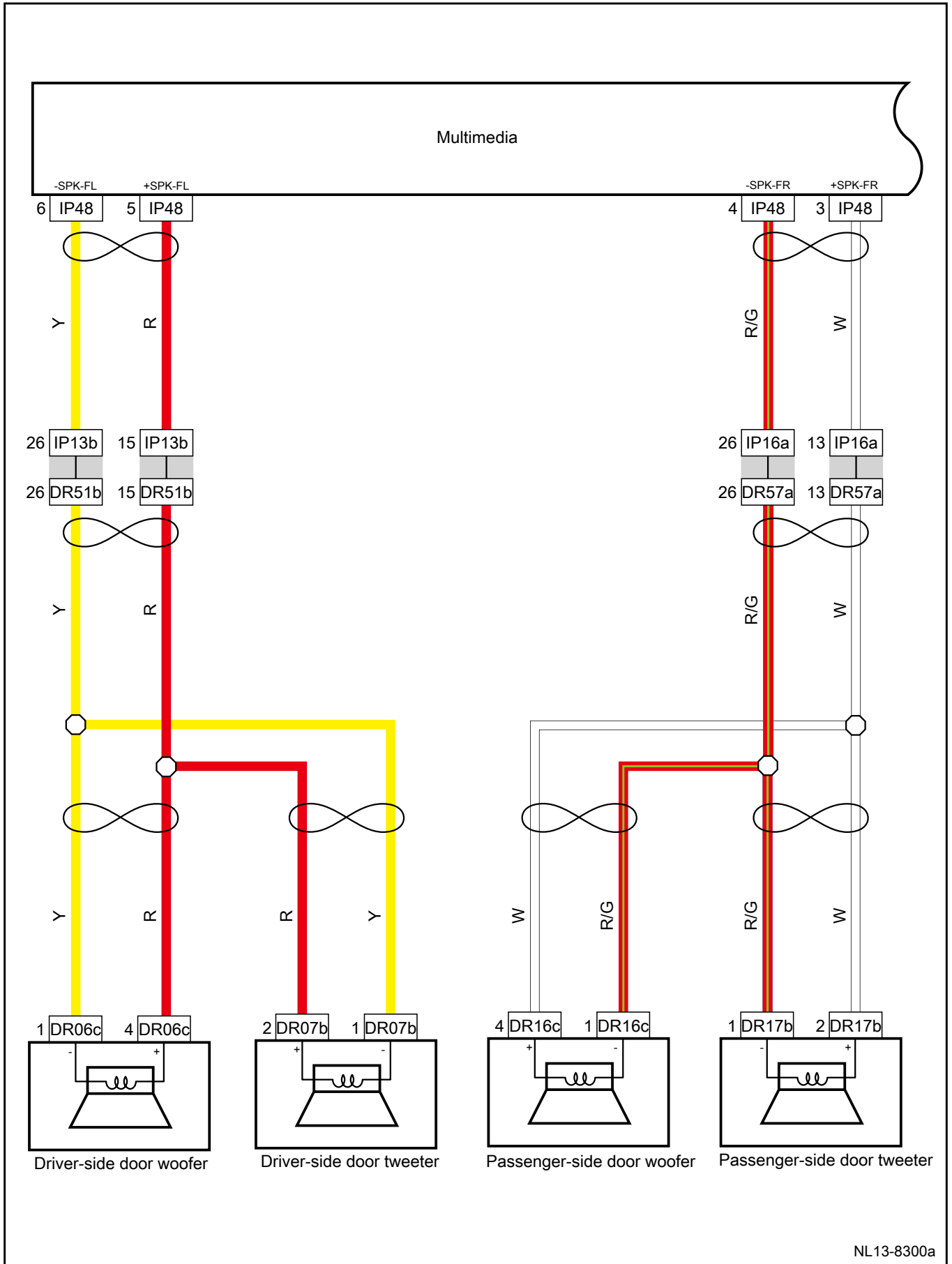
Power supply and data 2(Multimedia)



NL13-8317a

Harness connector	Name	Page
IP49	Multimedia harness connector C	80
IP121	Intelligent electrical junction boxes harness connector G	78
IP147b	Display harness connector	79
IP311	Sensus harness connector 6	81
IP312	Sensus harness connector 7	81
IP313	Sensus harness connector 8	81
IP327	Instrument panel to floor antenna harness connector 3	81
IP328	Instrument panel to floor antenna harness connector 4	81
SO388	Antenna harness connector	125
SO389	Floor to Instrument panel antenna harness connector 3	125
SO390	Floor to Instrument panel antenna harness connector 4	125
G03	Instrument panel harness grounding	195

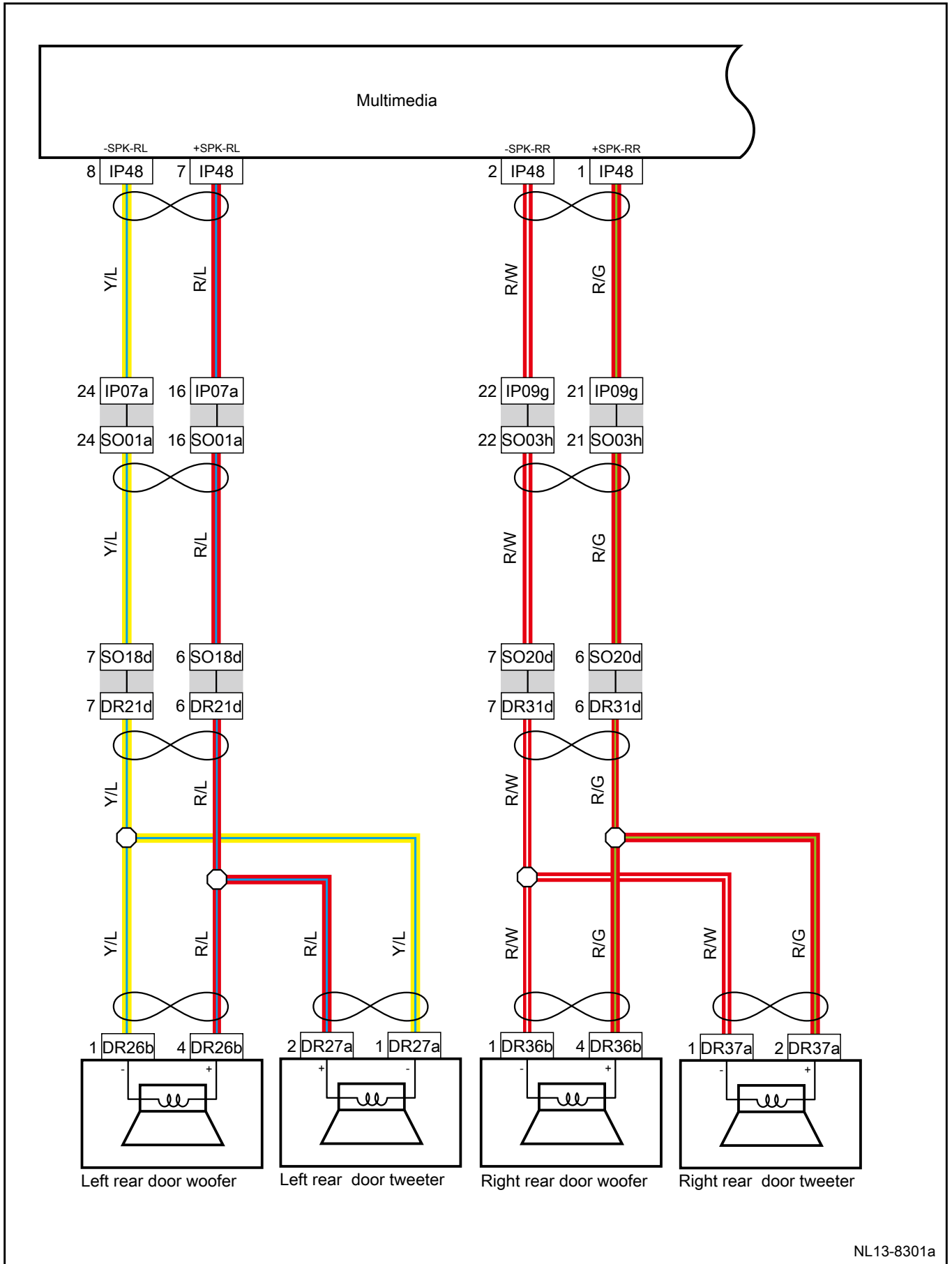
Speakers 1(Multimedia)



---

Harness connector	Name	Page
DR06c	Driver side door woofer harness connector	171
DR07b	Driver side door tweeter harness connector	171
DR16c	Passenger side door woofer harness connector	172
DR17b	Passenger side door tweeter harness connector	172
DR51b	Driver side door to instrument panel harness connector 1	171
DR57a	Passenger side door to instrument panel harness connector 2	172
IP13b	Instrument panel to driver side door harness connector 1	78
IP16a	Instrument panel to passenger side door harness connector 2	80
IP48	Multimedia harness connector B	79

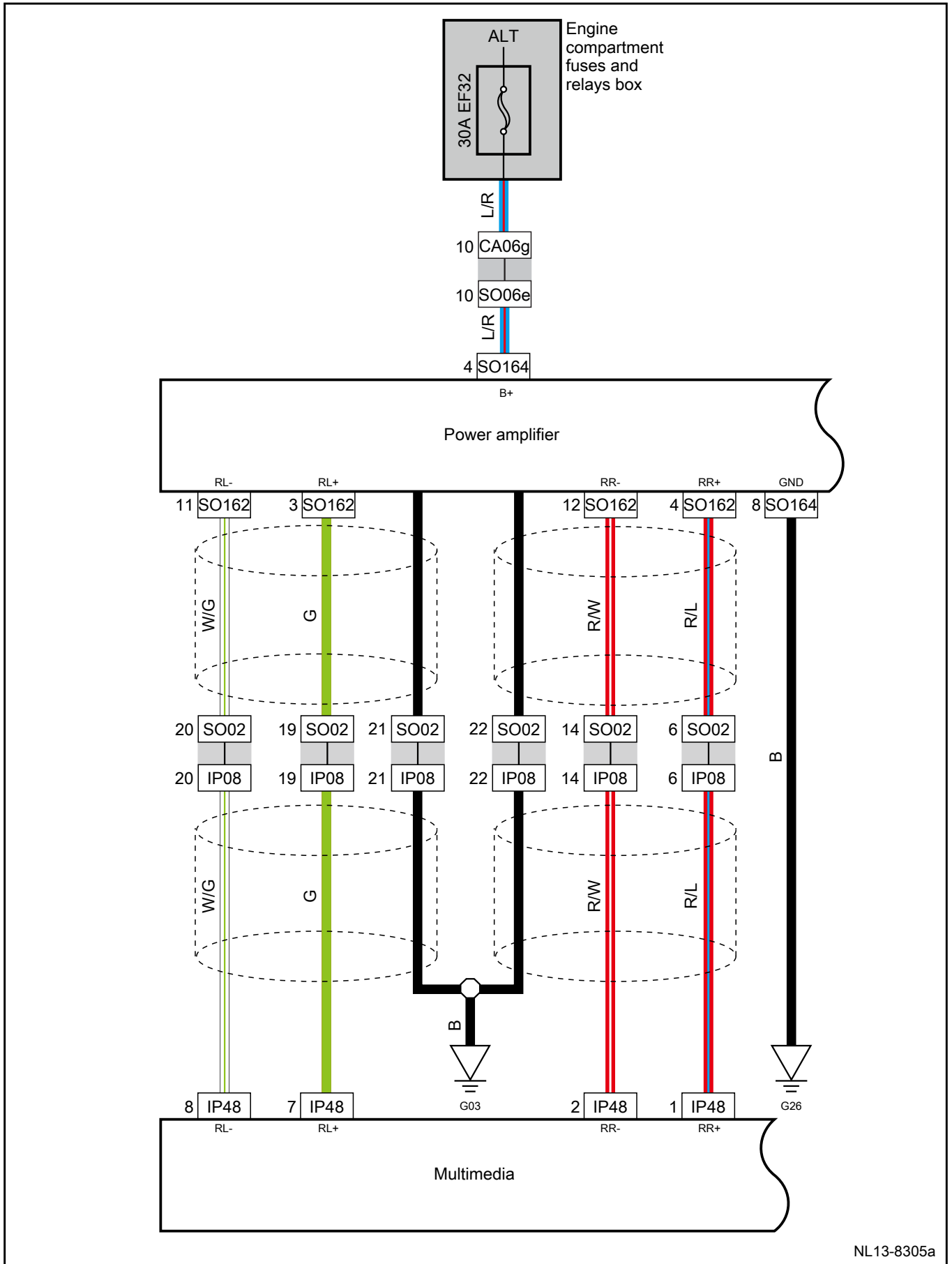
Speakers 2(Multimedia)



NL13-8301a

Harness connector	Name	Page
DR21d	Left rear door to floor harness connector	173
DR26b	Left rear door woofer harness connector	173
DR27a	Left rear door tweeter harness connector	173
DR31d	Right rear door to floor harness connector	174
DR36b	Right rear door woofer harness connector	174
DR37a	Right rear door tweeter harness connector	174
IP07a	Instrument panel to floor harness connector 1	78
IP09g	Instrument panel to floor harness connector 3	80
IP48	Multimedia harness connector B	79
SO01a	Floor to instrument panel harness connector 1	123
SO03h	Floor to instrument panel harness connector 3	124
SO18d	Floor to left rear door harness connector	123
SO20d	Floor to right rear door harness connector	124

Power supply and data 1(Power amplifier)

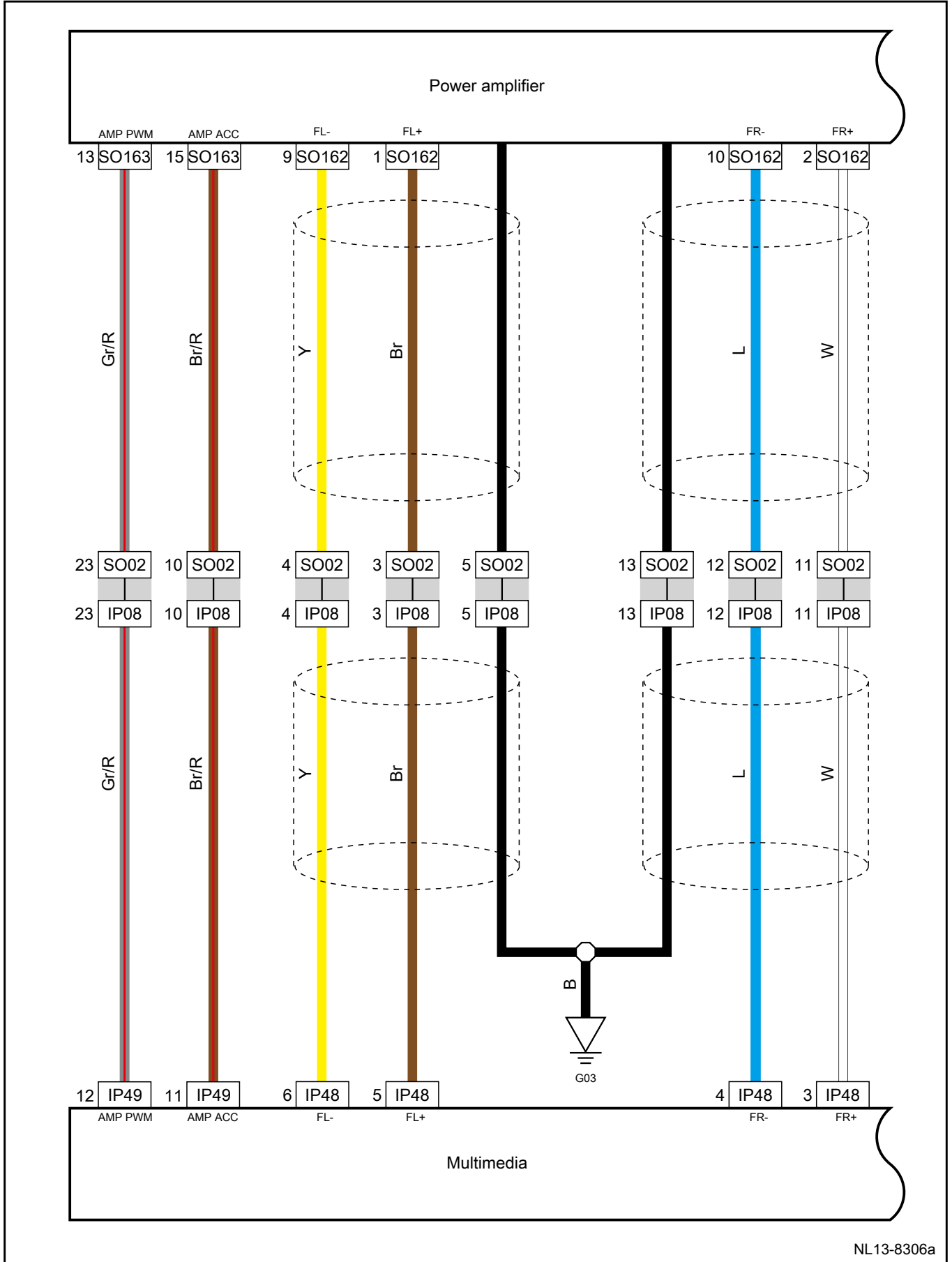


NL13-8305a

---

Harness connector	Name	Page
CA06g	Engine compartment to floor harness connector	30
IP08	Instrument panel to floor harness connector 2	78
IP48	Multimedia harness connector B	79
SO02	Floor to instrument panel harness connector 2	123
SO06e	Floor to engine compartment harness connector	123
SO162	Power amplifier harness connector A	124
SO164	Power amplifier harness connector C	124
G03	Instrument panel harness grounding	195
G26	Floor harness grounding	196

Power supply and data 2(Power amplifier)

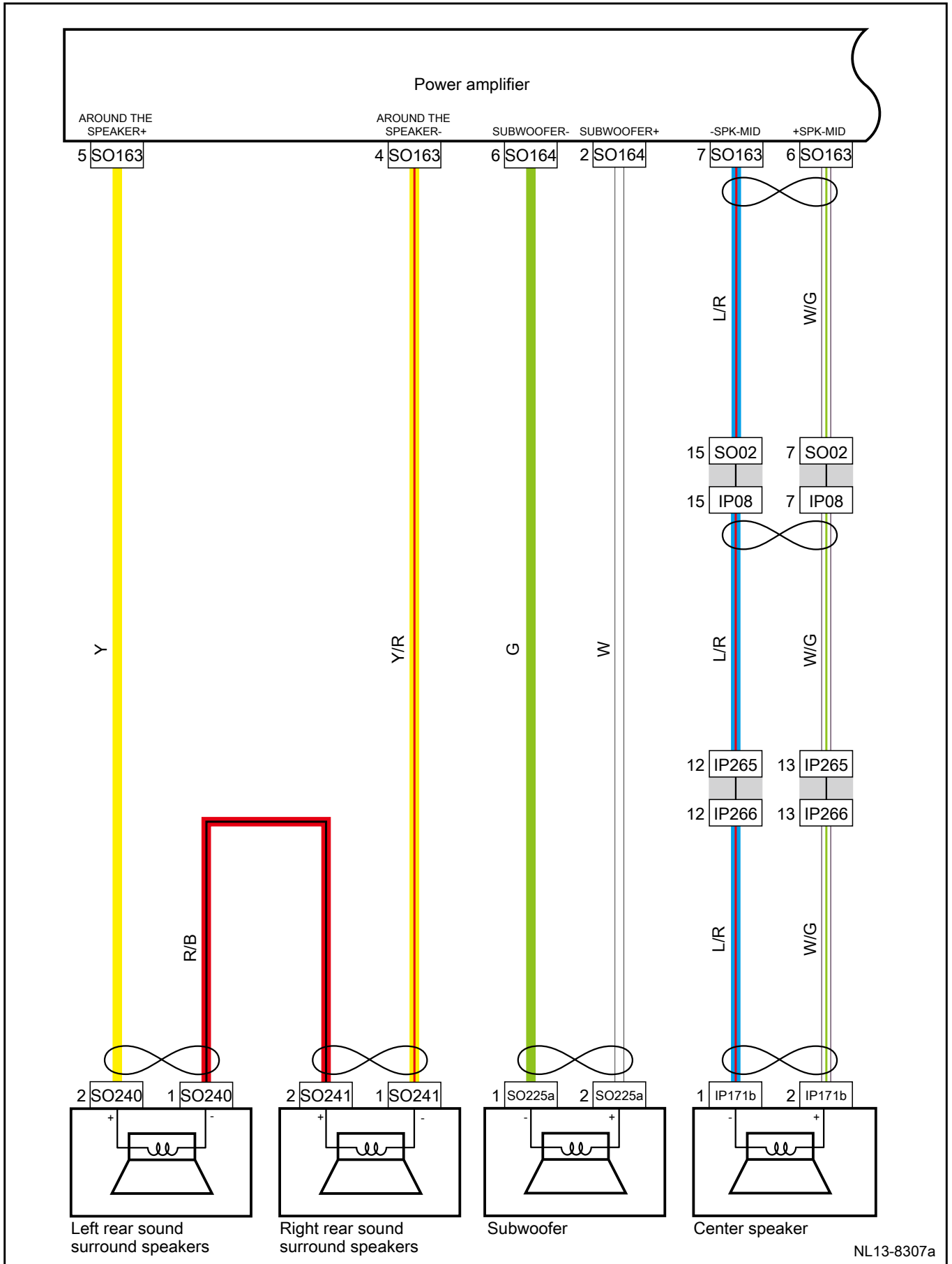


NL13-8306a

---

Harness connector	Name	Page
IP08	Instrument panel to floor harness connector 2	78
IP48	Multimedia harness connector B	79
IP49	Multimedia harness connector C	80
SO02	Floor to instrument panel harness connector 2	123
SO162	Power amplifier harness connector A	124
SO163	Power amplifier harness connector B	124
G03	Instrument panel harness grounding	195

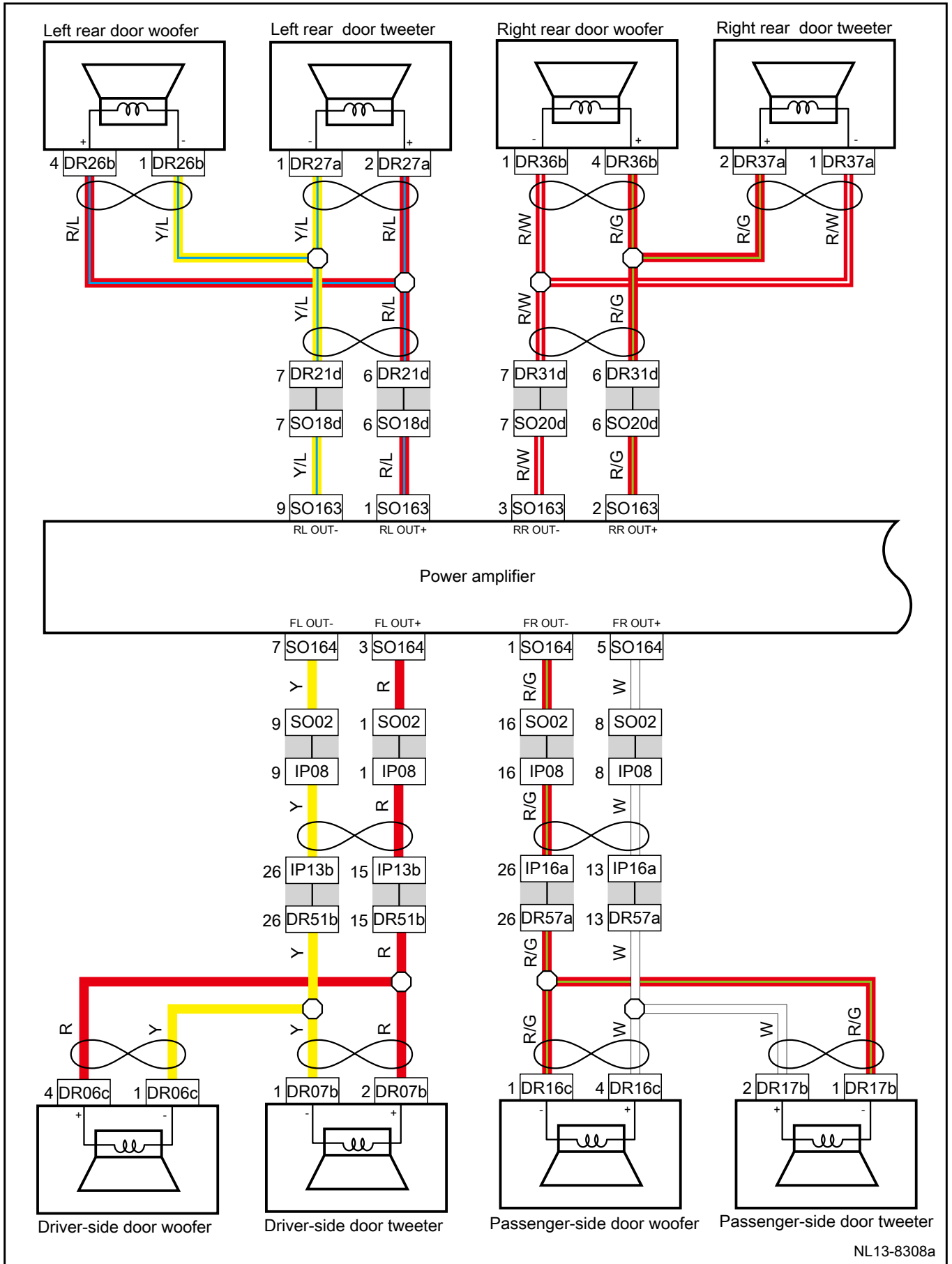
Speakers 1(Power amplifier)



---

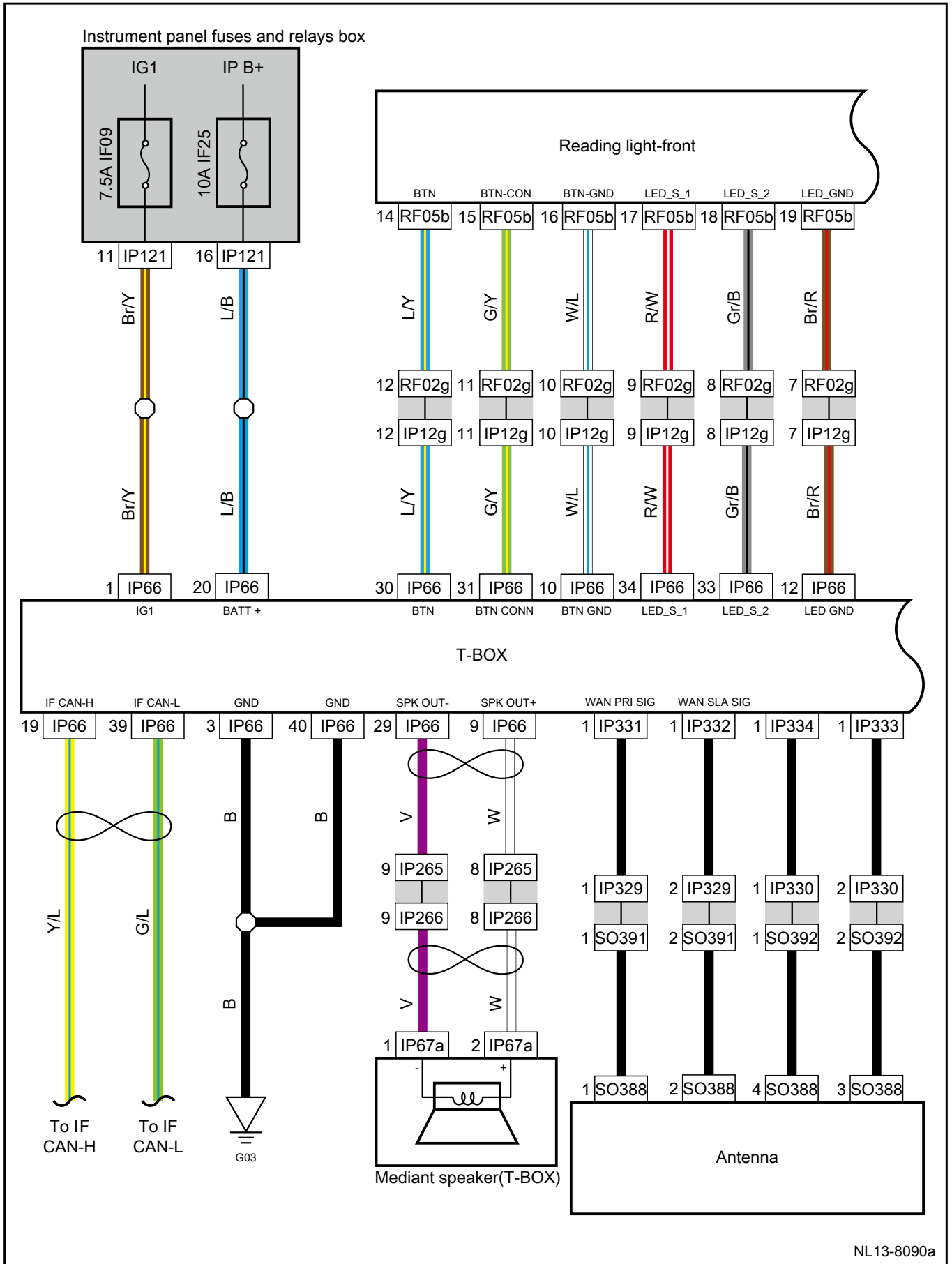
Harness connector	Name	Page
IP08	Instrument panel to floor harness connector 2	78
IP171b	Center speaker harness connector	82
IP265	Instrument panel to solar radiation sensor harness connector	79
IP266	Solar radiation sensor to instrument panel harness connector	82
SO02	Floor to instrument panel harness connector 2	123
SO163	Power amplifier harness connector B	124
SO164	Power amplifier harness connector C	124
SO225a	Subwoofer harness connector	123
SO240	Left rear sound surround speakers harness connector	124
SO241	Right rear sound surround speakers harness connector	124

Speakers 2(Power amplifier)



Harness connector	Name	Page
DR06c	Driver side door woofer harness connector	171
DR07b	Driver side door tweeter harness connector	171
DR16c	Passenger side door woofer harness connector	172
DR17b	Passenger side door tweeter harness connector	172
DR21d	Left rear door to floor harness connector	173
DR26b	Left rear door woofer harness connector	173
DR27a	Left rear door tweeter harness connector	173
DR31d	Right rear door to floor harness connector	174
DR36b	Right rear door woofer harness connector	174
DR37a	Right rear door tweeter harness connector	174
DR51b	Driver side door to instrument panel harness connector 1	171
DR57a	Passenger side door to instrument panel harness connector 2	172
IP08	Instrument panel to floor harness connector 2	78
IP13b	Instrument panel to driver side door harness connector 1	78
IP16a	Instrument panel to passenger side door harness connector 2	80
SO02	Floor to instrument panel harness connector 2	123
SO18d	Floor to left rear door harness connector	123
SO20d	Floor to right rear door harness connector	124
SO163	Power amplifier harness connector B	124
SO164	Power amplifier harness connector C	124

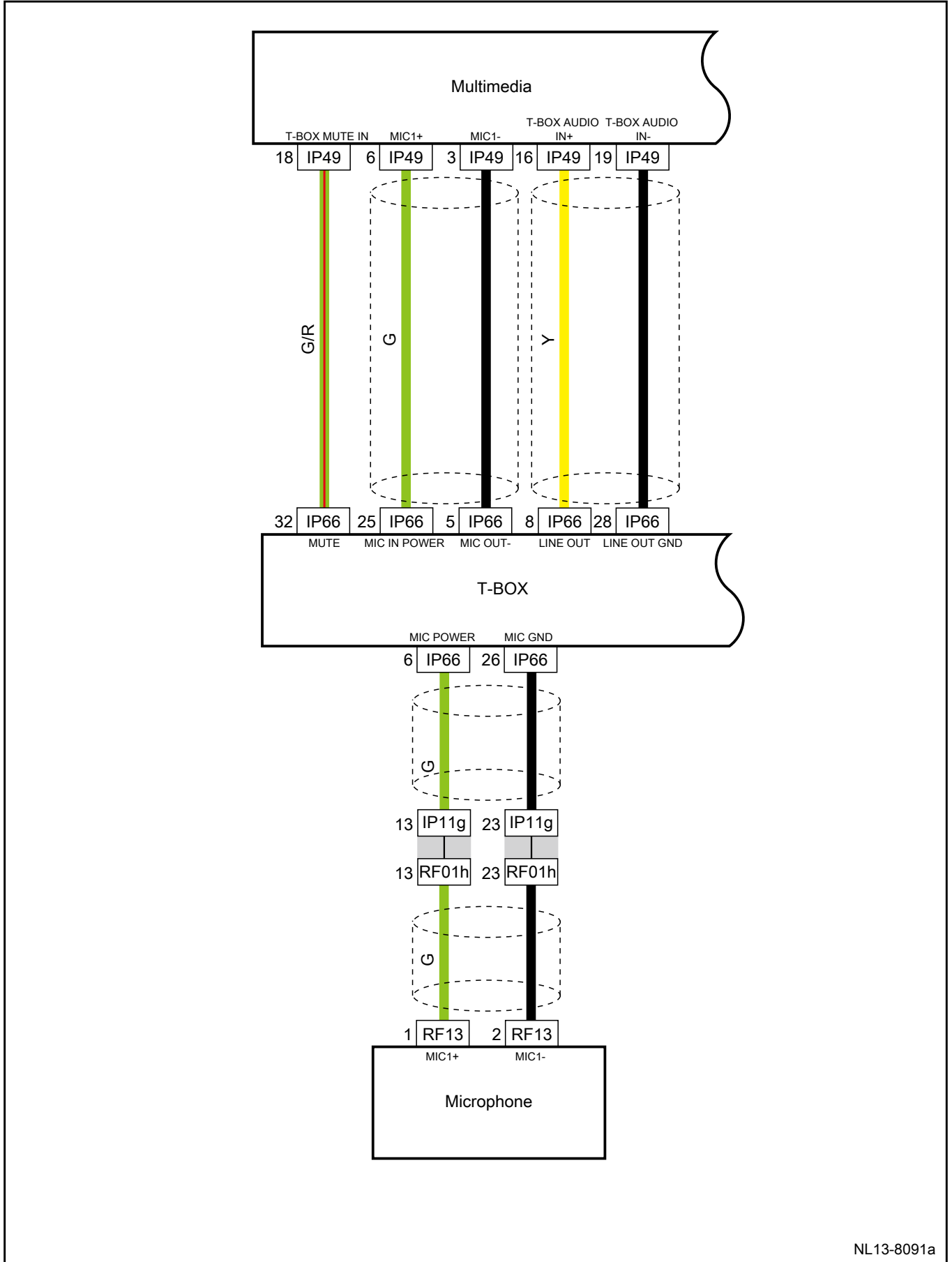
Power supply and data 1(Telematics BOX)



Harness connector	Name	Page
IP12g	Instrument panel to roof harness connector 2	78
IP66	Telematics BOX harness connector	80
IP67a	Mediant speaker harness connector	82
IP121	Intelligent electrical junction boxes harness connector G	78
IP265	Instrument panel to solar radiation sensor harness connector	79
IP266	Solar radiation sensor to instrument panel harness connector	82
IP329	Instrument panel to floor antenna harness connector 5	81
IP330	Instrument panel to floor antenna harness connector 6	81
IP331	Telematics BOX harness connector 2	80
IP332	Telematics BOX harness connector 3	80
IP333	Telematics BOX harness connector 4	80
IP334	Telematics BOX harness connector 5	80
RF02g	Roof to instrument panel harness connector 2	117
RF05b	Front reading light harness connector	117
SO388	Antenna harness connector	125
SO391	Floor to Instrument panel antenna harness connector 5	125
SO392	Floor to Instrument panel antenna harness connector 6	125
G03	Instrument panel harness grounding	195

Join point	Explanations	Page
IP66-19	To IF CAN-H	592,594
IP66-39	To IF CAN-L	592,594

Power supply and data 2(Telematics BOX)

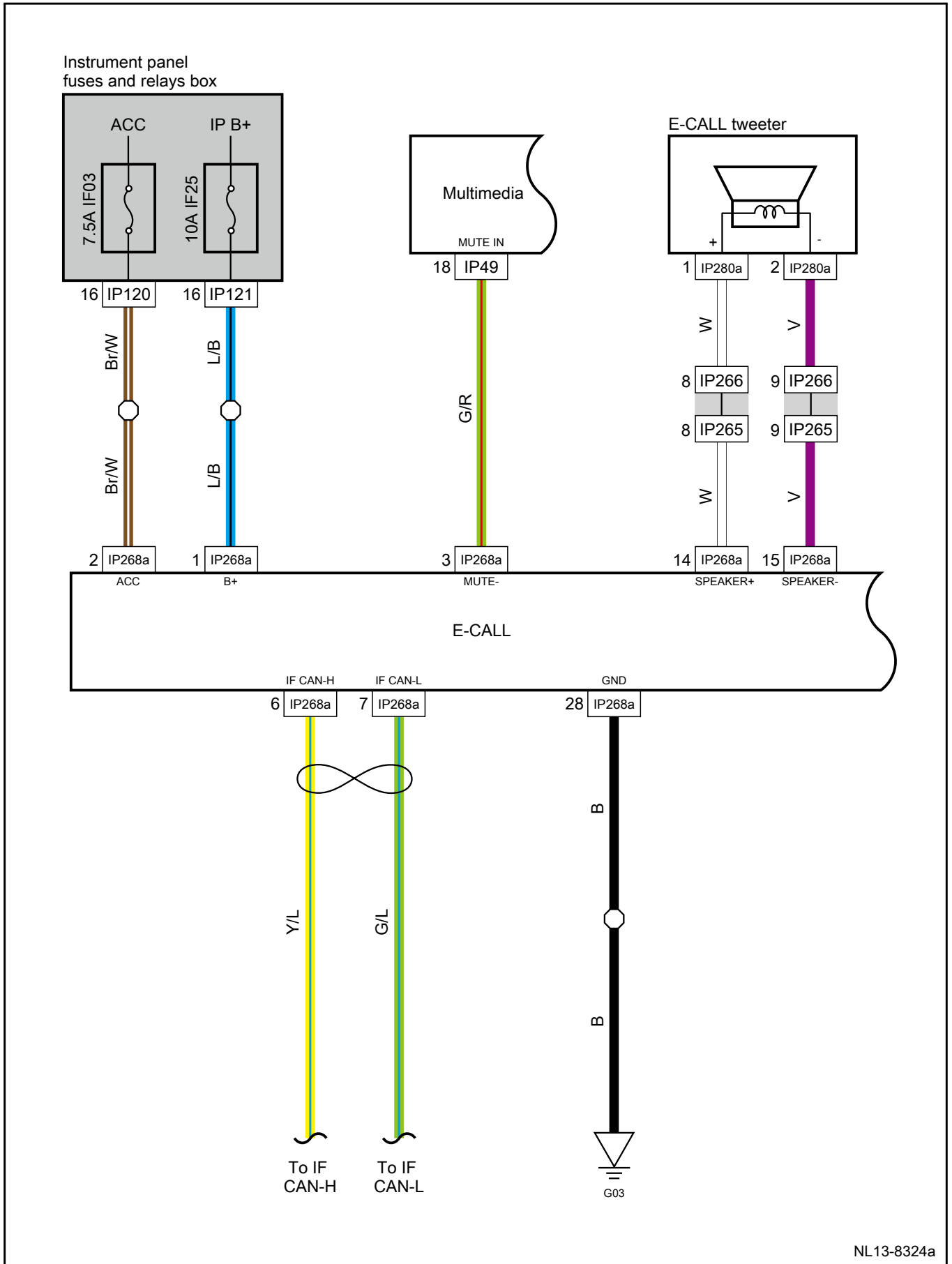


NL13-8091a

---

Harness connector	Name	Page
IP11g	Instrument panel to roof harness connector 1	80
IP49	Multimedia harness connector C	80
IP66	Telematics BOX harness connector	80
RF01h	Roof to instrument panel harness connector 1	117
RF13	Microphone harness connector	117

Power supply and data 1(E-CALL)



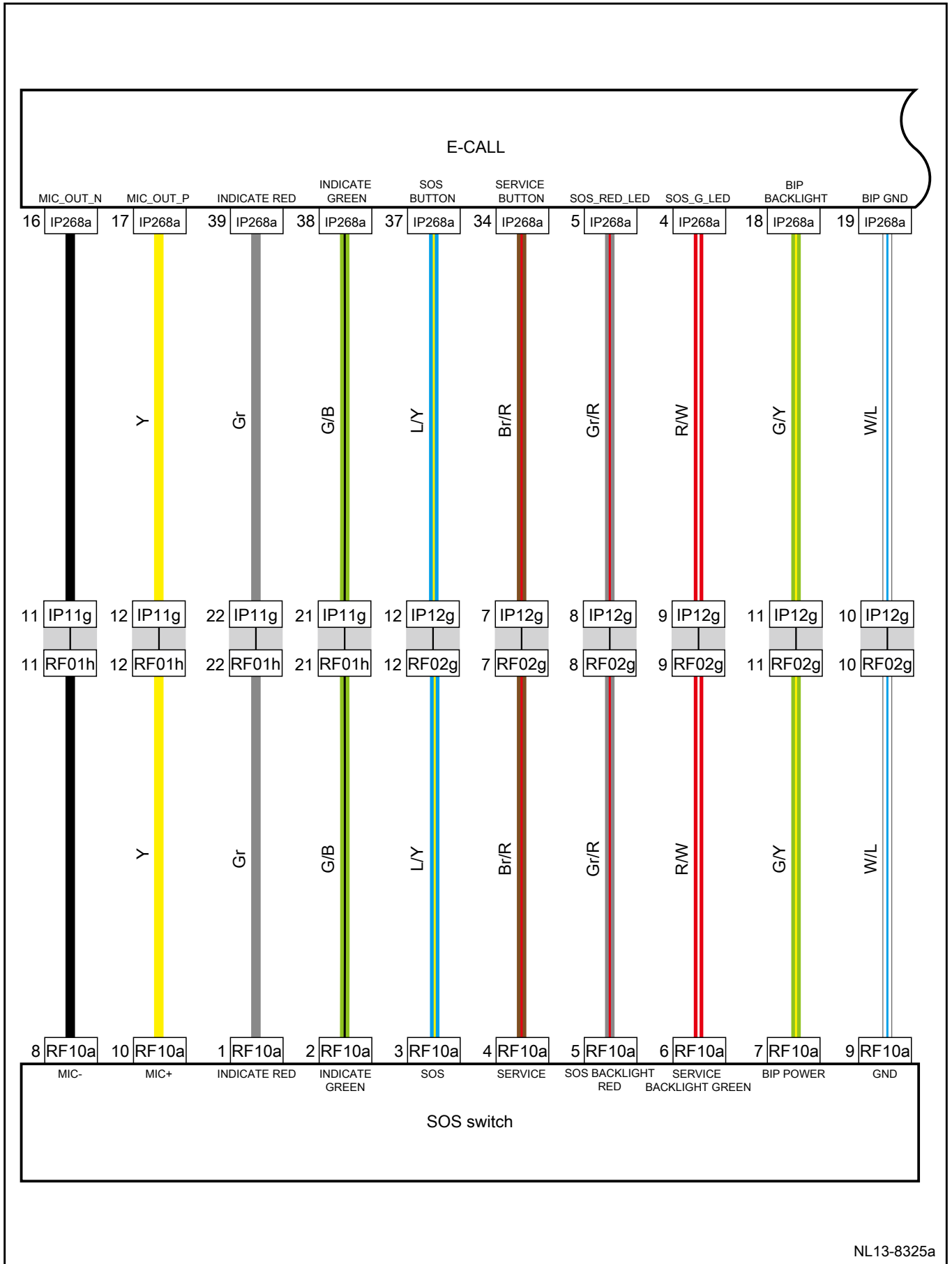
NL13-8324a

---

Harness connector	Name	Page
IP49	Multimedia harness connector C	80
IP120	Intelligent electrical junction boxes harness connector F	78
IP121	Intelligent electrical junction boxes harness connector G	78
IP265	Instrument panel to solar radiation sensor harness connector	79
IP266	Solar radiation sensor to instrument panel harness connector	82
IP268a	E-CALL harness connector	79
IP280a	E-CALL speaker harness connector	82
G03	Instrument panel harness grounding	195

Join point	Explanations	Page
IP268a-6	To IF CAN-H	592
IP268a-7	To IF CAN-L	592

Power supply and data 2(E-CALL)



---

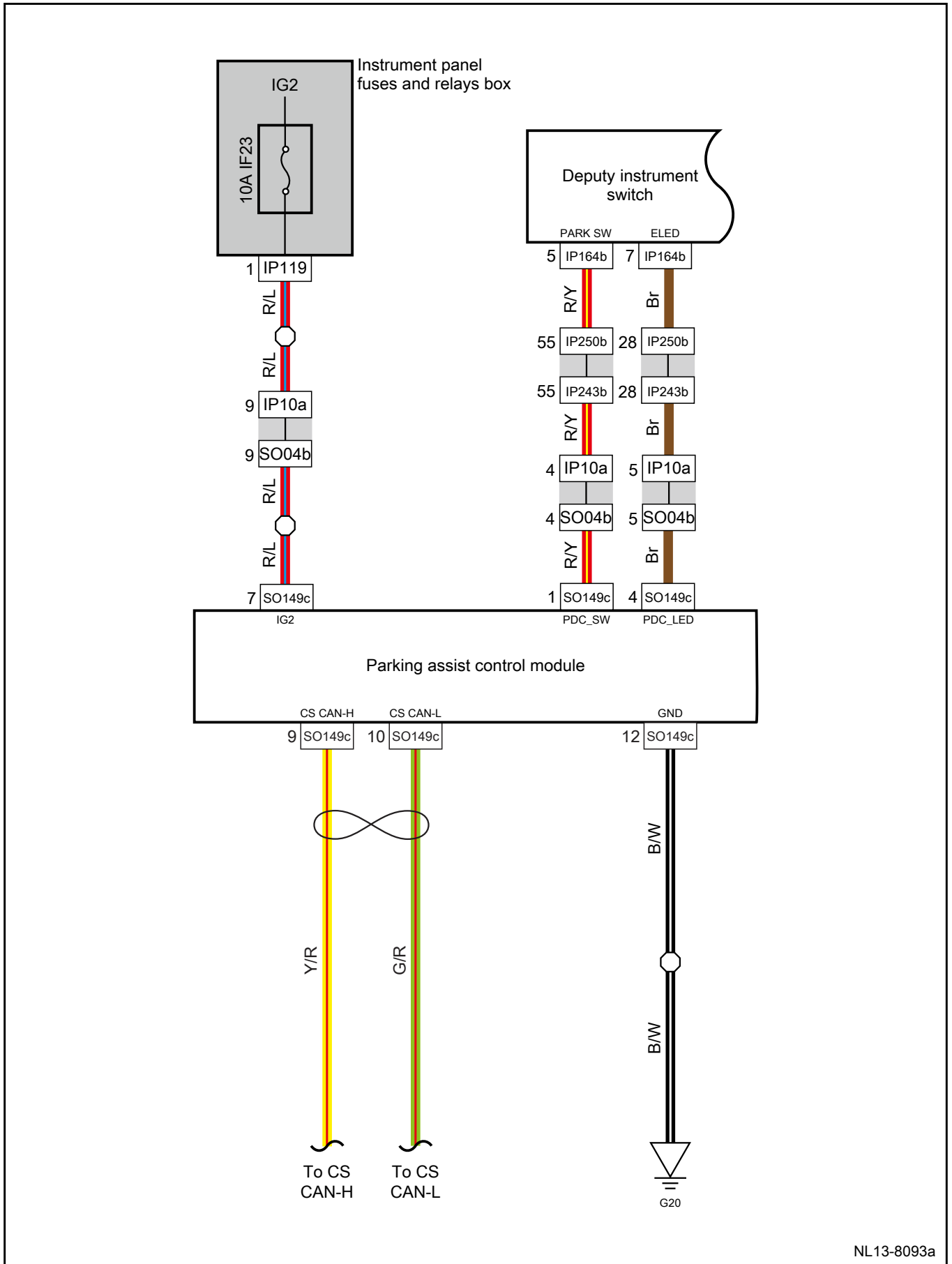
Harness connector	Name	Page
IP11g	Instrument panel to roof harness connector 1	80
IP12g	Instrument panel to roof harness connector 2	78
IP268a	E-CALL harness connector	79
RF01h	Roof to instrument panel harness connector 1	117
RF02g	Roof to instrument panel harness connector 2	117
RF10a	SOS switch harness connector	117



Harness connector	Name	Page
IP11g	Instrument panel to roof harness connector 1	80
IP120	Intelligent electrical junction boxes harness connector F	78
IP121	Intelligent electrical junction boxes harness connector G	78
IP164b	Deputy instrument switch harness connectors	82
IP223a	JC34 harness connector	78
IP243b	Instrument panel to Instrument-wire harness connector	78
IP250b	Instrument-wire to Instrument panel harness connector	82
IP306	Sensus harness connector 1	81
IP324	Instrument panel to roof dashboard camera harness connector connector	81
RF01h	Roof to instrument panel harness connector 1	117
RF15c	Dashboard camera harness connector	117
RF39	Dashboard camera harness connector2	117
RF48	Roof to Instrument panel dashboard camera harness connector connector	117
G02	Instrument panel harness grounding	195

Join point	Explanations	Page
RF15c-6	To IF CAN-H	592,592
RF15c-5	To IF CAN-L	592,592

Parking assistance sensor 1



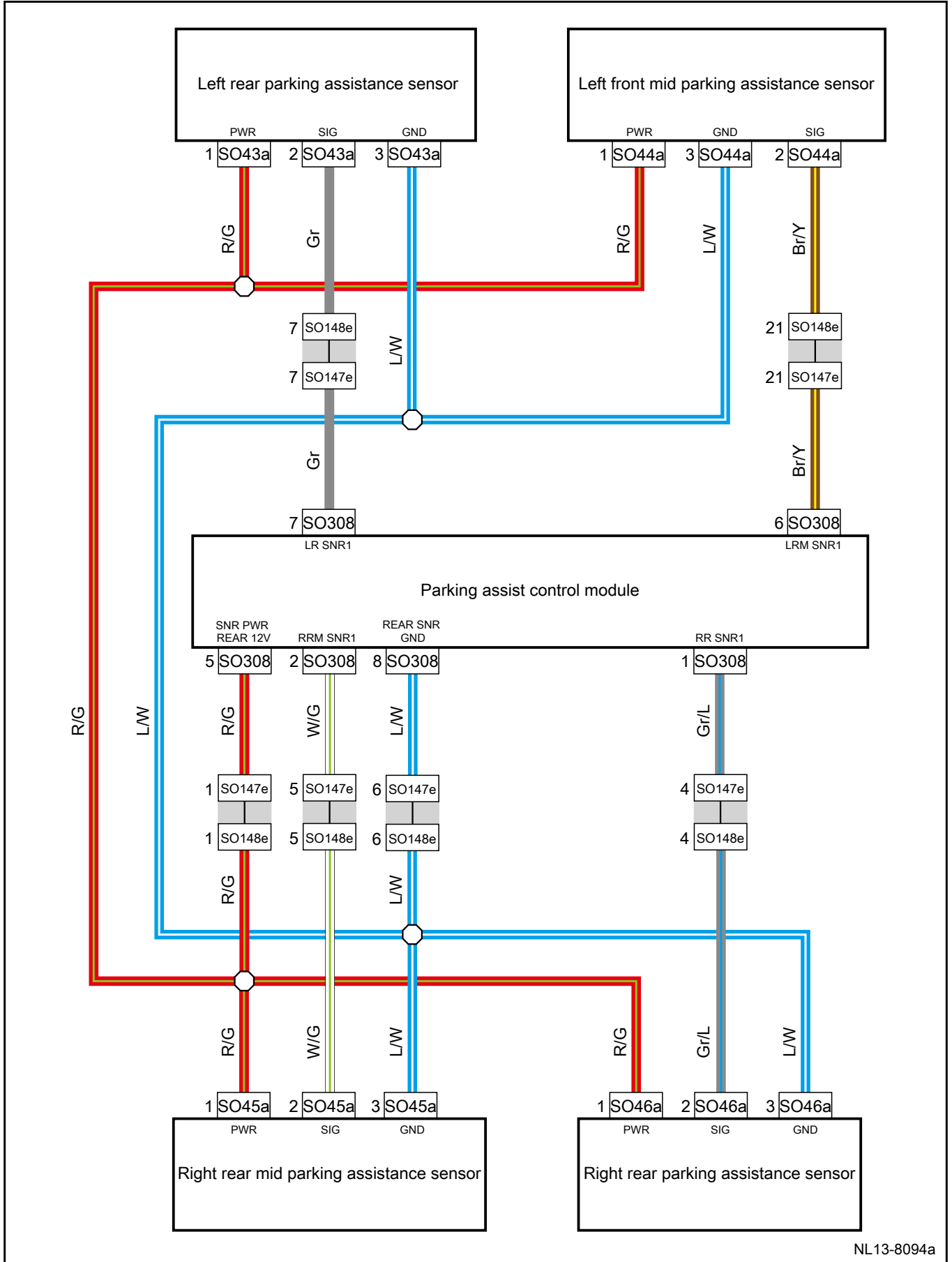
NL13-8093a

---

Harness connector	Name	Page
IP10a	Instrument panel to floor harness connector 4	79
IP119	Intelligent electrical junction boxes harness connector E	78
IP164b	Deputy instrument switch harness connectors	82
IP243b	Instrument panel to Instrument-wire harness connector	78
IP250b	Instrument-wire to Instrument panel harness connector	82
SO04b	Floor to instrument panel harness connector 4	124
SO149c	Parking assist control module harness connector 1	123
G20	Floor harness grounding	196

Join point	Explanations	Page
SO149c-9	To CS CAN-H	604,606
SO149c-10	To CS CAN-L	604,606

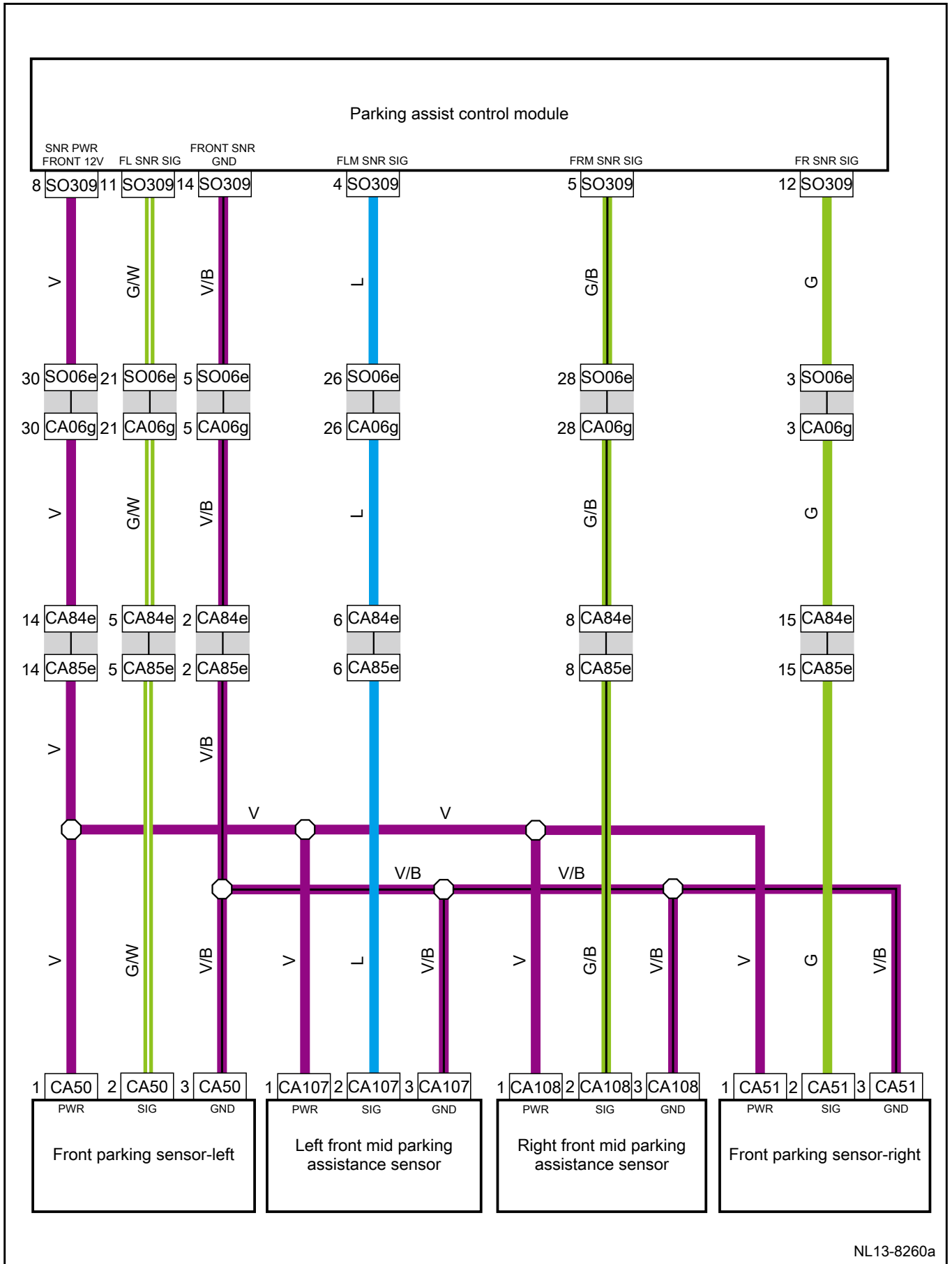
Parking assistance sensor 2



---

Harness connector	Name	Page
SO43a	Left rear parking assistance sensor harness connector	127
SO44a	Left rear mid parking assistance sensor harness connector	127
SO45a	Right rear mid parking assistance sensor harness connector	127
SO46a	Right rear parking assistance sensor harness connector	127
SO147e	Floor to rear harness connector	124
SO148e	Rear to floor harness connector	127
SO308	Parking assist control module harness connector 2	123

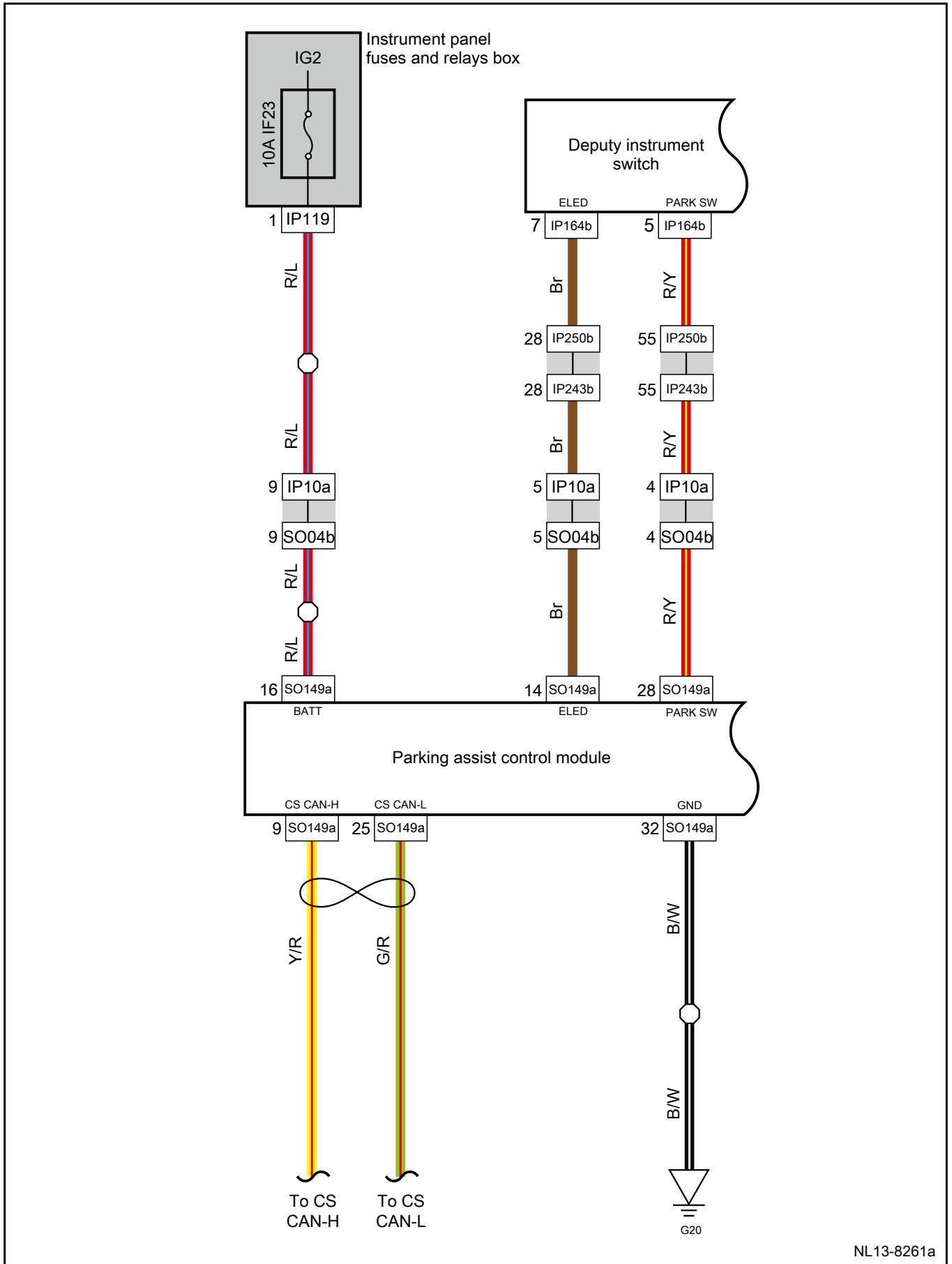
Parking assistance sensor 3



---

Harness connector	Name	Page
CA06g	Engine compartment to floor harness connector	30
CA50	Left front parking assistance sensor harness connector	31
CA51	Right front parking assistance sensor harness connector	31
CA84e	Engine compartment to front bumper harness connector	29
CA85e	Front bumper to engine compartment harness connector	31
CA107	Left front mid parking assistance sensor harness connector	31
CA108	Right front mid parking assistance sensor harness connector	31
SO06e	Floor to engine compartment harness connector	123
SO309	Parking assist control module harness connector 3	123

Park assist system 1

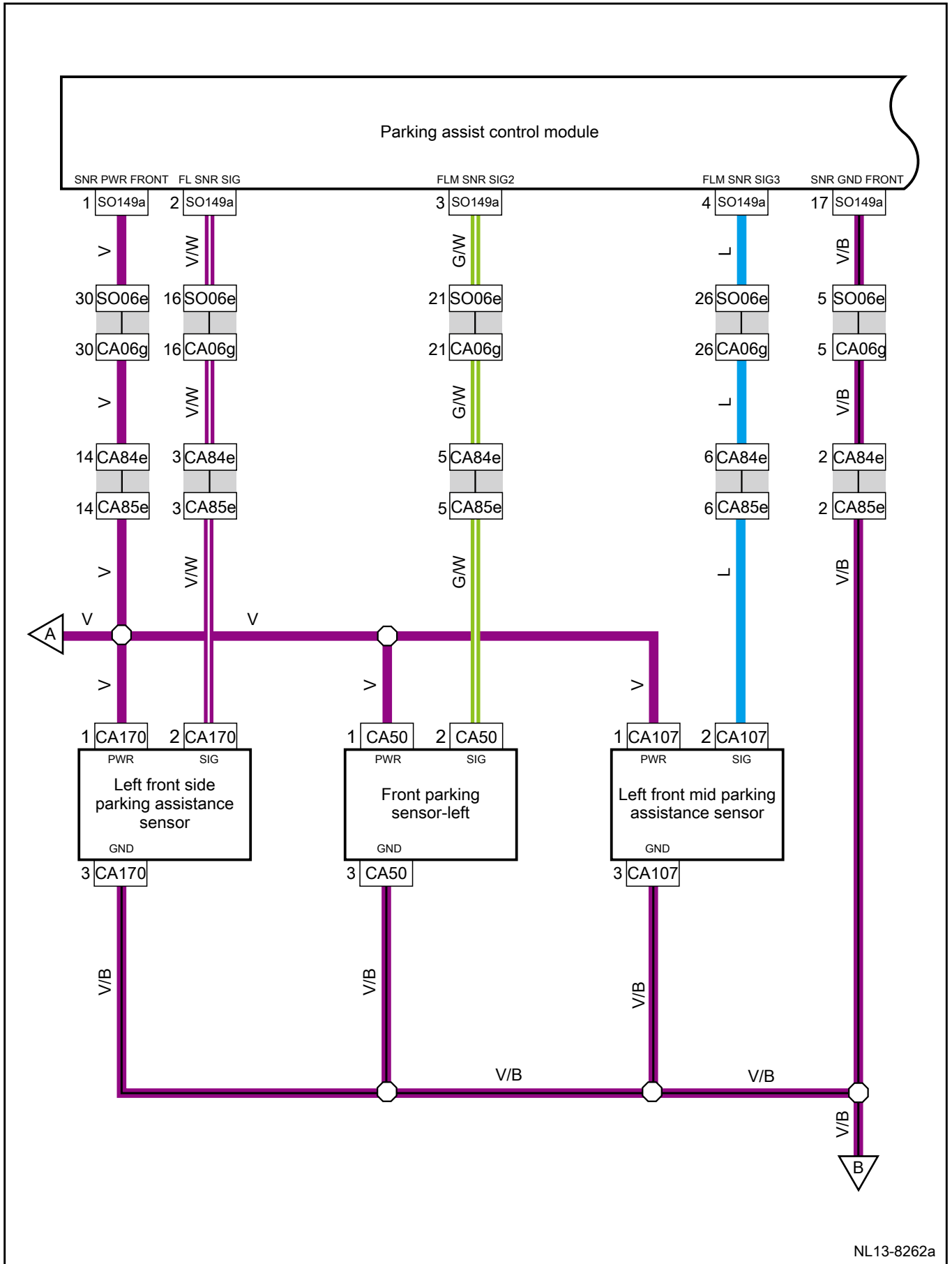


---

Harness connector	Name	Page
IP10a	Instrument panel to floor harness connector 4	79
IP119	Intelligent electrical junction boxes harness connector E	78
IP164b	Deputy instrument switch harness connectors	82
IP243b	Instrument panel to Instrument-wire harness connector	78
IP250b	Instrument-wire to Instrument panel harness connector	82
SO04b	Floor to instrument panel harness connector 4	124
SO149a	Parking assist control module harness connector	123
G20	Floor harness grounding	196

Join point	Explanations	Page
SO149a-9	To CS CAN-H	606
SO149a-25	To CS CAN-L	606

Park assist system 2

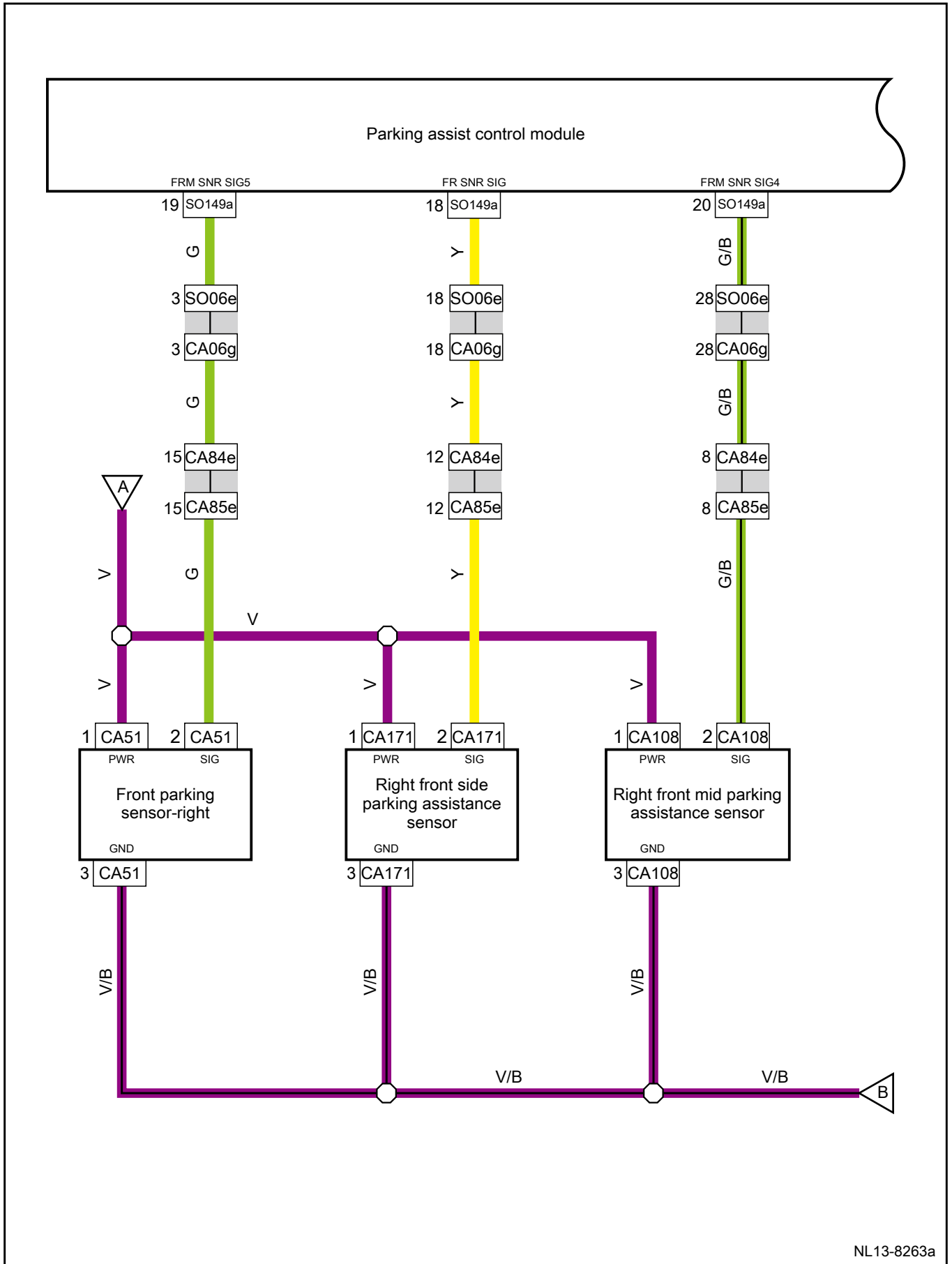


---

Harness connector	Name	Page
CA06g	Engine compartment to floor harness connector	30
CA50	Left front parking assistance sensor harness connector	31
CA84e	Engine compartment to front bumper harness connector	29
CA85e	Front bumper to engine compartment harness connector	31
CA107	Left front mid parking assistance sensor harness connector	31
CA170	Left front side parking assistance sensor harness connector	31
SO06e	Floor to engine compartment harness connector	123
SO149a	Parking assist control module harness connector	123

Join point	Explanations	Page
A	To Park assist system 3	540
B	To Park assist system 3	540

Park assist system 3

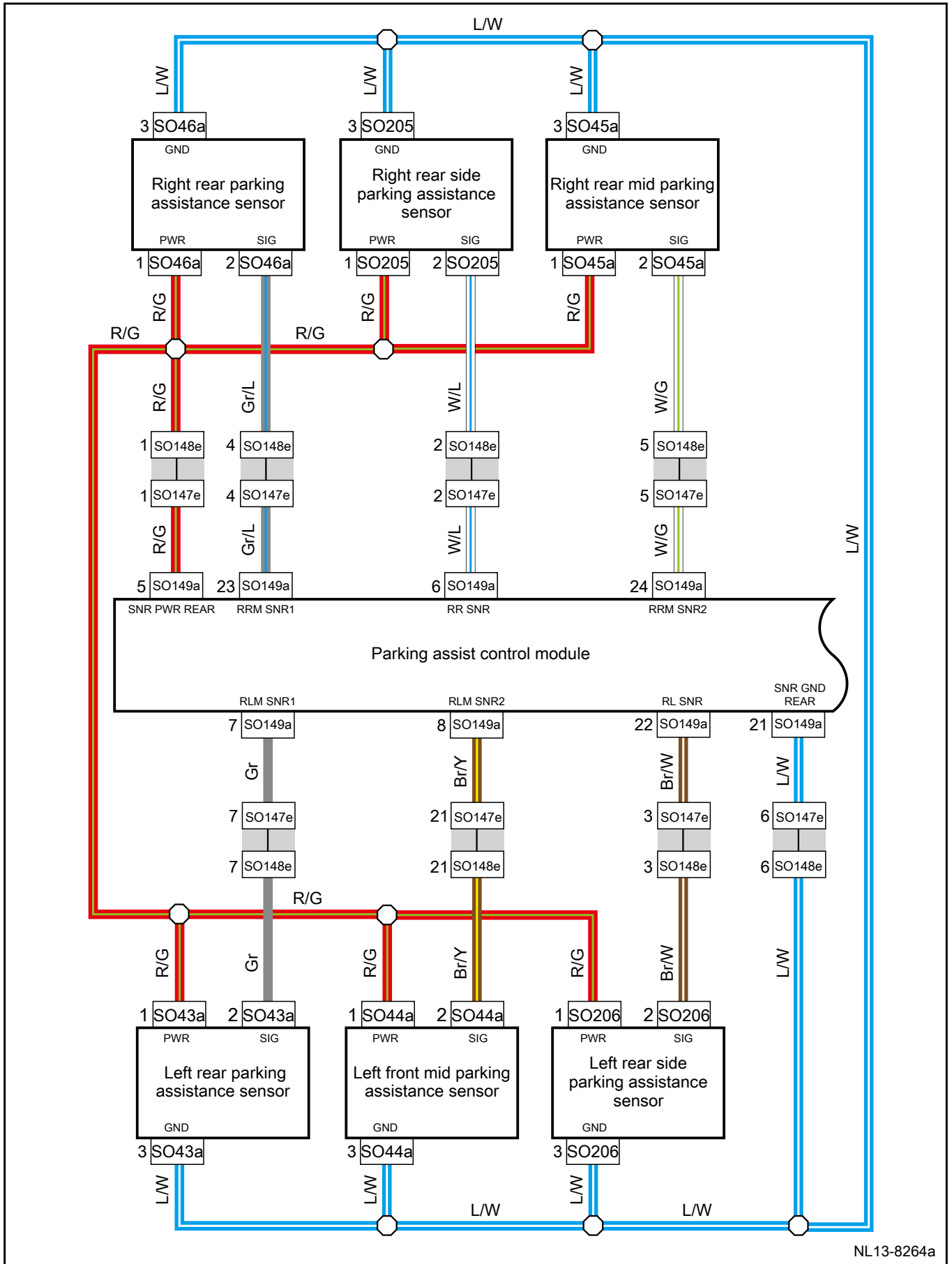


---

Harness connector	Name	Page
CA06g	Engine compartment to floor harness connector	30
CA51	Right front parking assistance sensor harness connector	31
CA84e	Engine compartment to front bumper harness connector	29
CA85e	Front bumper to engine compartment harness connector	31
CA108	Right front mid parking assistance sensor harness connector	31
CA171	Right front side parking assistance sensor harness connector	31
SO06e	Floor to engine compartment harness connector	123
SO149a	Parking assist control module harness connector	123

Join point	Explanations	Page
A	To Park assist system 2	538
B	To Park assist system 2	538

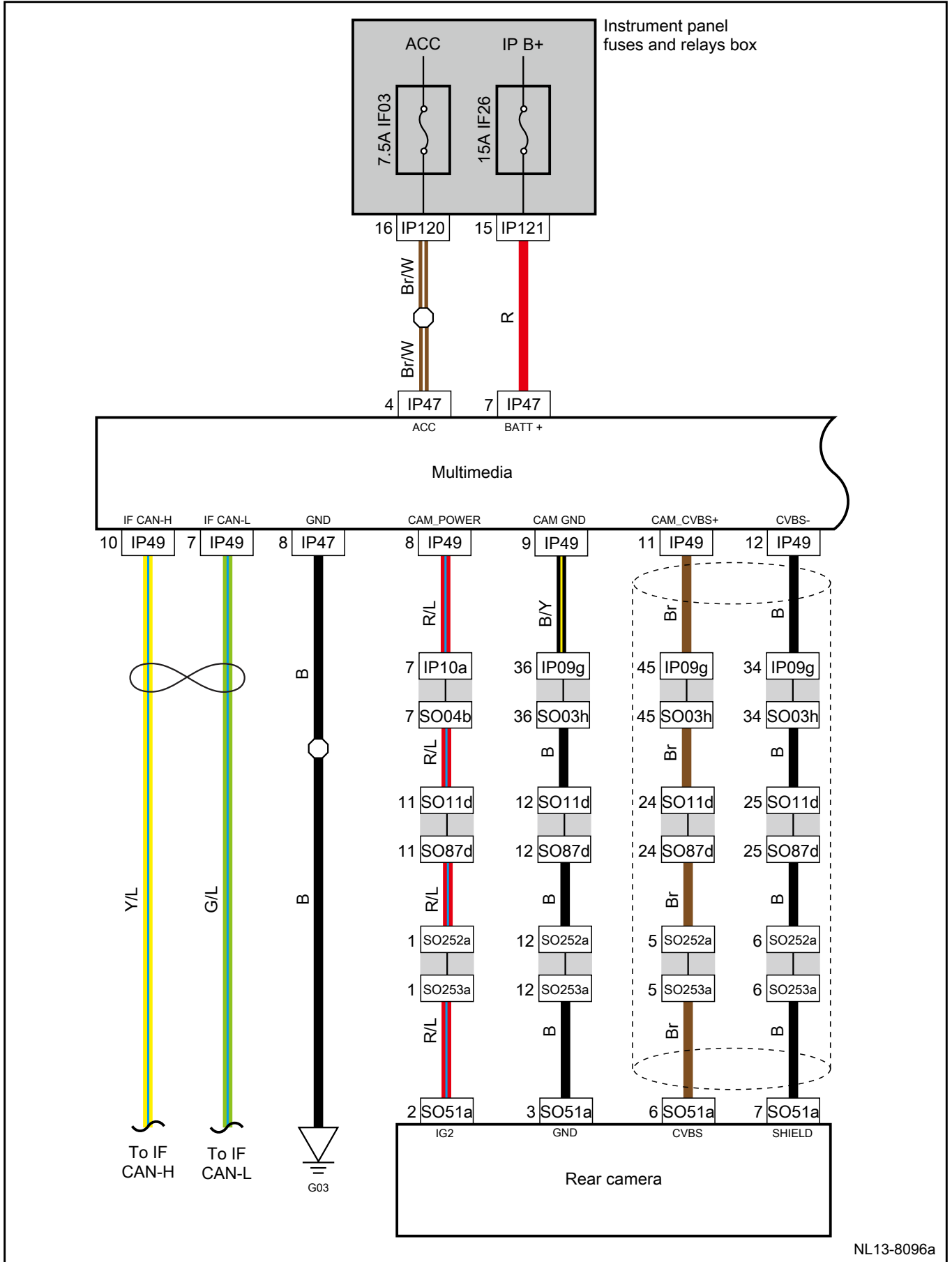
Park assist system 4



---

Harness connector	Name	Page
SO43a	Left rear parking assistance sensor harness connector	127
SO44a	Left rear mid parking assistance sensor harness connector	127
SO45a	Right rear mid parking assistance sensor harness connector	127
SO46a	Right rear parking assistance sensor harness connector	127
SO147e	Floor to rear harness connector	124
SO148e	Rear to floor harness connector	127
SO149a	Parking assist control module harness connector	123
SO205	Left rear side parking assistance sensor harness connector	127
SO206	Right rear side parking assistance sensor harness connector	127

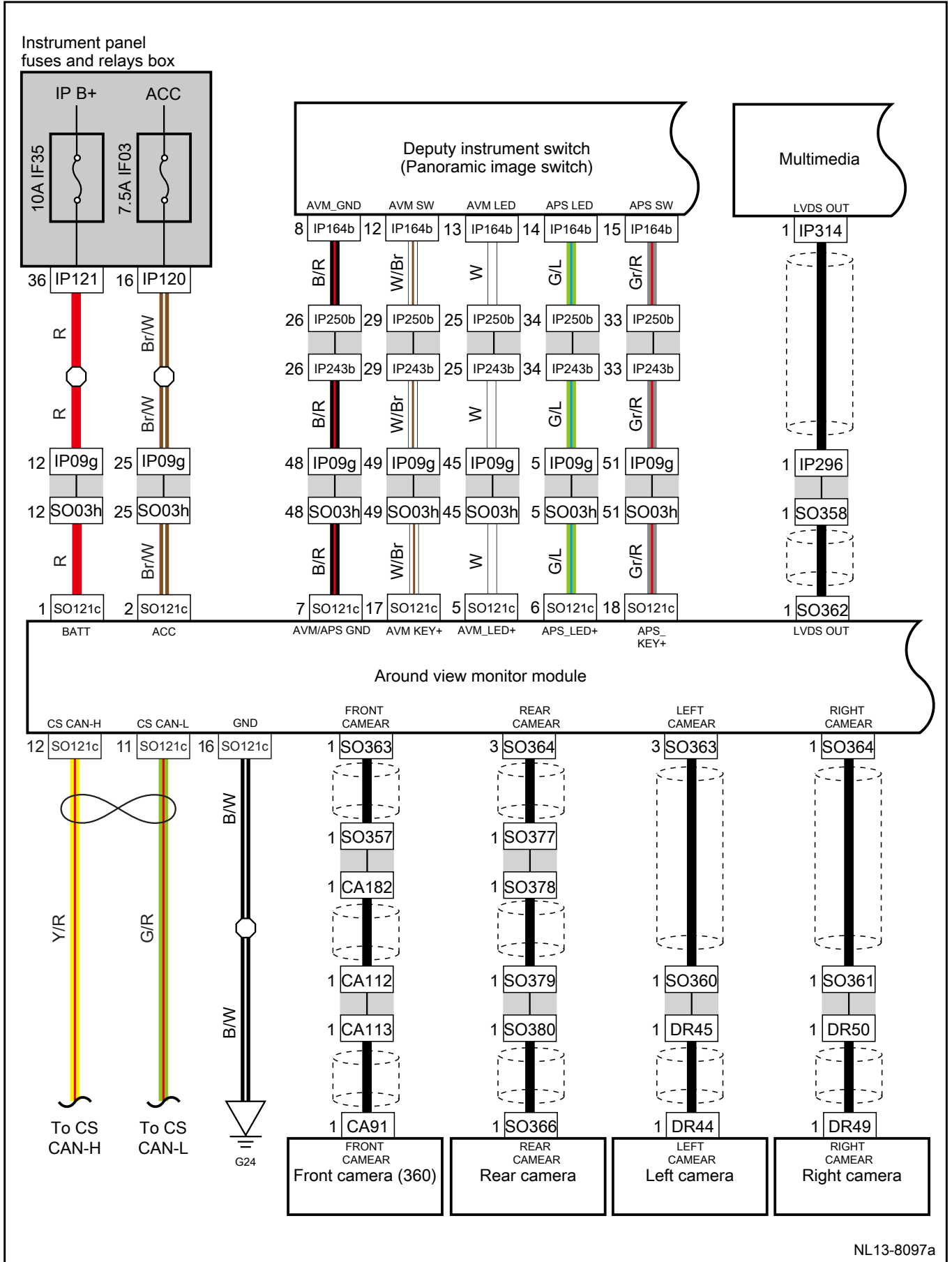
Rearview camera



Harness connector	Name	Page
IP09g	Instrument panel to floor harness connector 3	80
IP10a	Instrument panel to floor harness connector 4	79
IP47	Multimedia harness connector A	79
IP49	Multimedia harness connector C	80
IP120	Intelligent electrical junction boxes harness connector F	78
IP121	Intelligent electrical junction boxes harness connector G	78
SO03h	Floor to instrument panel harness connector 3	124
SO04b	Floor to instrument panel harness connector 4	124
SO11d	Floor to trunk door harness connector A	124
SO51a	Rear camera harness connector	128
SO87d	Trunk door to floor harness connector A	126
SO252a	Trunk door to license light plate harness connector	126
SO253a	License light plate to trunk door harness connector	128
G03	Instrument panel harness grounding	195

Join point	Explanations	Page
IP49-10	To IF CAN-H	590,594
IP49-7	To IF CAN-L	590,594

360 Overall view

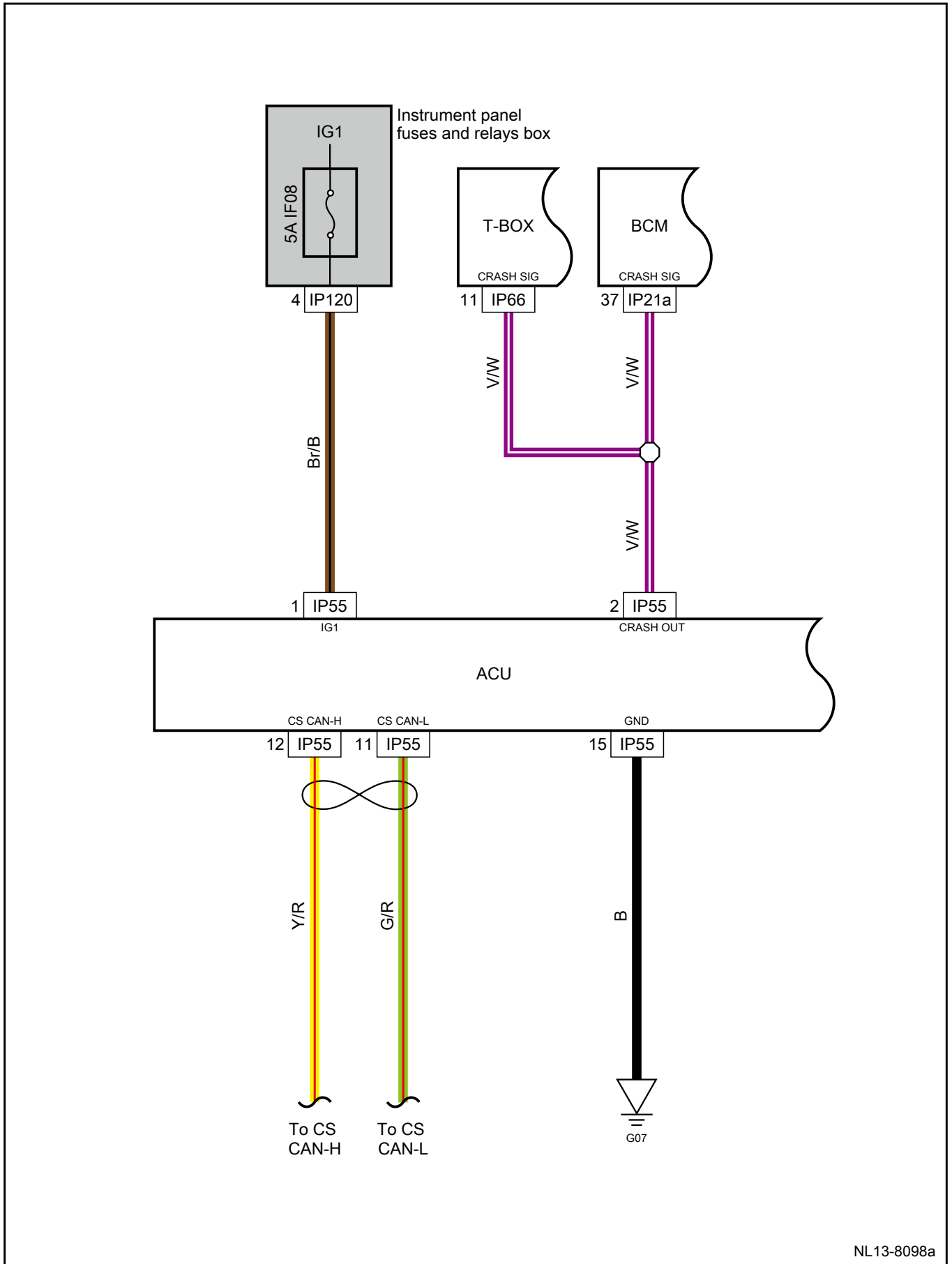


NL13-8097a

Harness connector	Name	Page
CA91	Front camera (360) harness connector	32
CA112	Engine compartment to front camera (360) harness connector	29
CA113	Front camera (360) to engine compartment harness connector	32
CA182	Engine compartment to floor (360) harness connector	30
DR44	360 left camera harness connector	171
DR45	360 left camera to floor harness connector	171
DR49	360 right camera harness connector	172
DR50	360 right camera to floor harness connector	172
IP09g	Instrument panel to floor harness connector 3	80
IP120	Intelligent electrical junction boxes harness connector F	78
IP121	Intelligent electrical junction boxes harness connector G	78
IP164b	Deputy instrument switch harness connectors	82
IP243b	Instrument panel to Instrument-wire harness connector	78
IP250b	Instrument-wire to Instrument panel harness connector	82
IP296	Instrument panel to floor 360 degrees camera harness connector	81
IP314	Sensus harness connector 9	80
SO03h	Floor to instrument panel harness connector 3	124
SO121c	Around view monitor module harness connector 1	124
SO357	Floor to engine compartment 360 camera harness connector	125
SO358	Floor to Instrument panel 360 camera harness connector	125
SO360	Floor to driver door 360 camera harness connector	125
SO361	Floor to passenger door 360 camera harness connector	125
SO362	Around view monitor module harness connector 2	125
SO363	Around view monitor module harness connector 3	125
SO364	Around view monitor module harness connector 4	125
SO366	360 rear camera harness connector	128
SO377	Floor to trunk door 360 camera harness connector	125
SO378	Trunk door to floor 360 camera harness connector	126
SO379	Trunk door to license light plate 360 camera harness connector	126
SO380	License light plate to trunk door 360 camera harness connector	128
G24	Floor harness grounding	196

Join point	Explanations	Page
SO121c-12	To CS CAN-H	608
SO121c-11	To CS CAN-L	608

Power supply and data



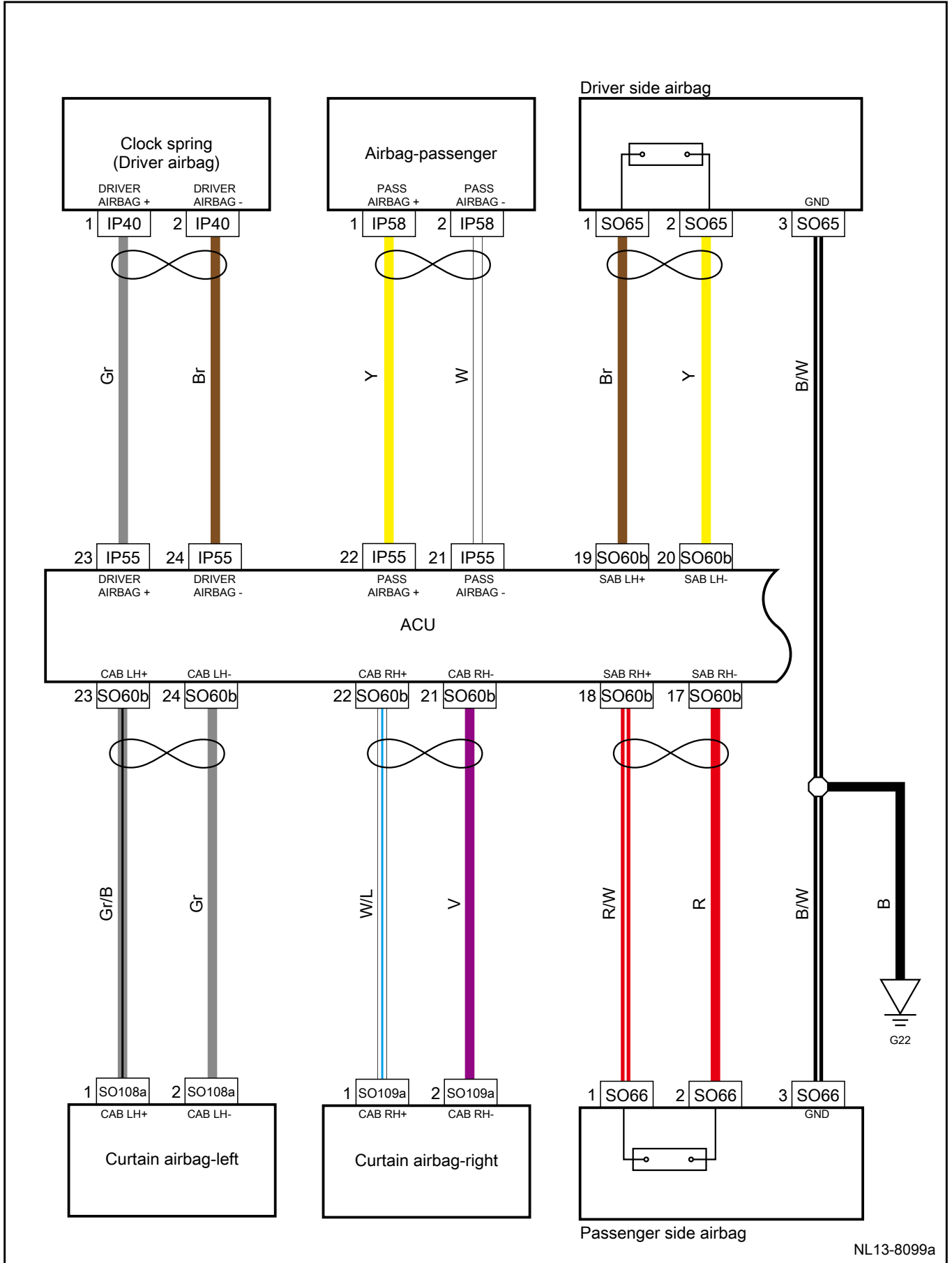
NL13-8098a

---

Harness connector	Name	Page
IP21a	Body control module harness connector 2	78
IP55	ACU harness connector B	78
IP66	Telematics BOX harness connector	80
IP120	Intelligent electrical junction boxes harness connector F	78
G07	Instrument panel harness grounding	195

Join point	Explanations	Page
IP55-12	To CS CAN-H	608
IP55-11	To CS CAN-L	608

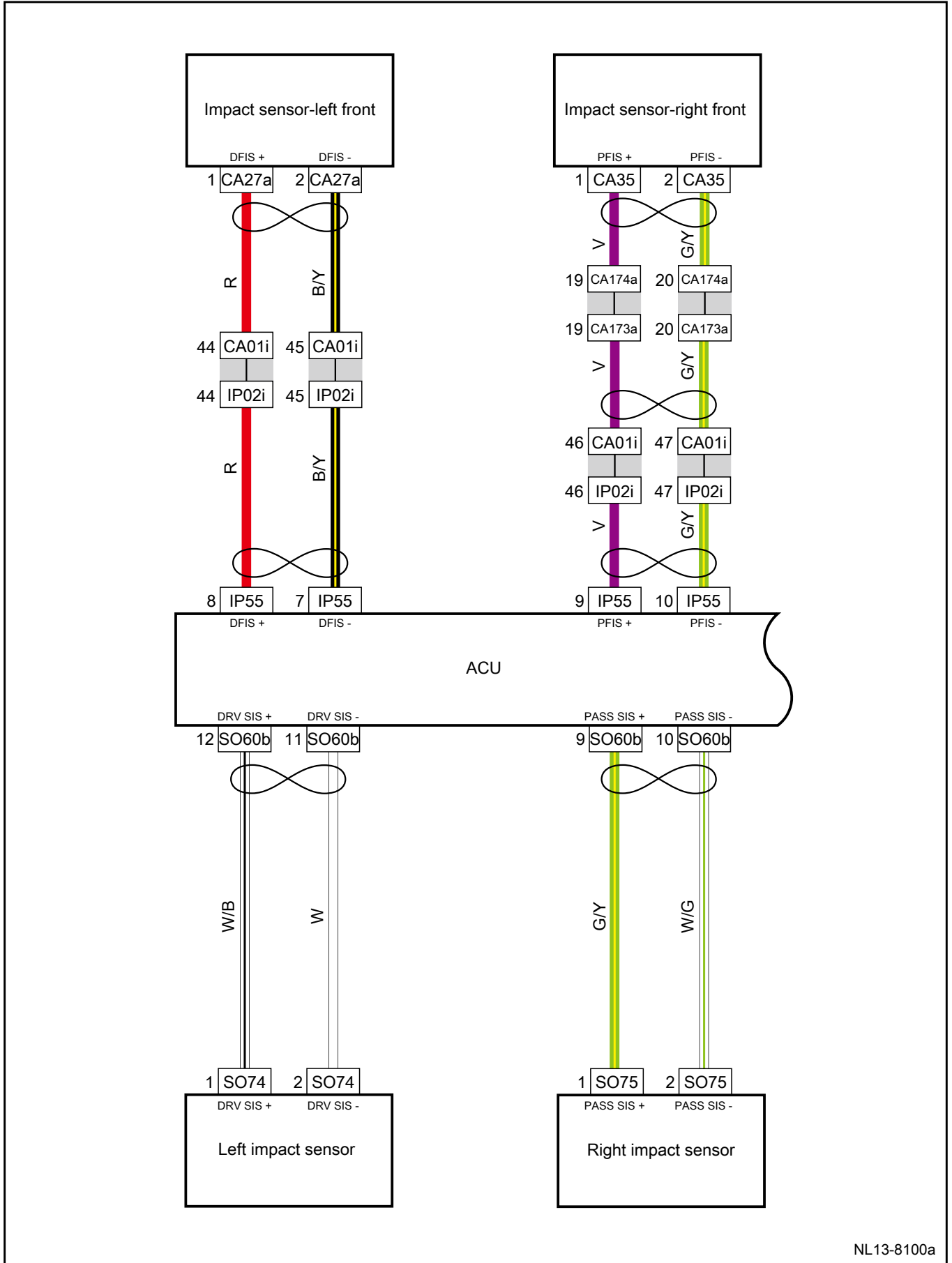
Sensors and Actuators 1



---

Harness connector	Name	Page
IP40	Clock spring harness connector B	80
IP55	ACU harness connector B	78
IP58	Passenger airbag harness connector	78
SO60b	ACU harness connector A	124
SO65	Driver side airbag harness connector	123
SO66	Passenger side airbag harness connector	124
SO108a	Left curtain airbag harness connector	124
SO109a	Right curtain airbag harness connector	124
G22	Floor harness grounding	196

Sensors and Actuators 2

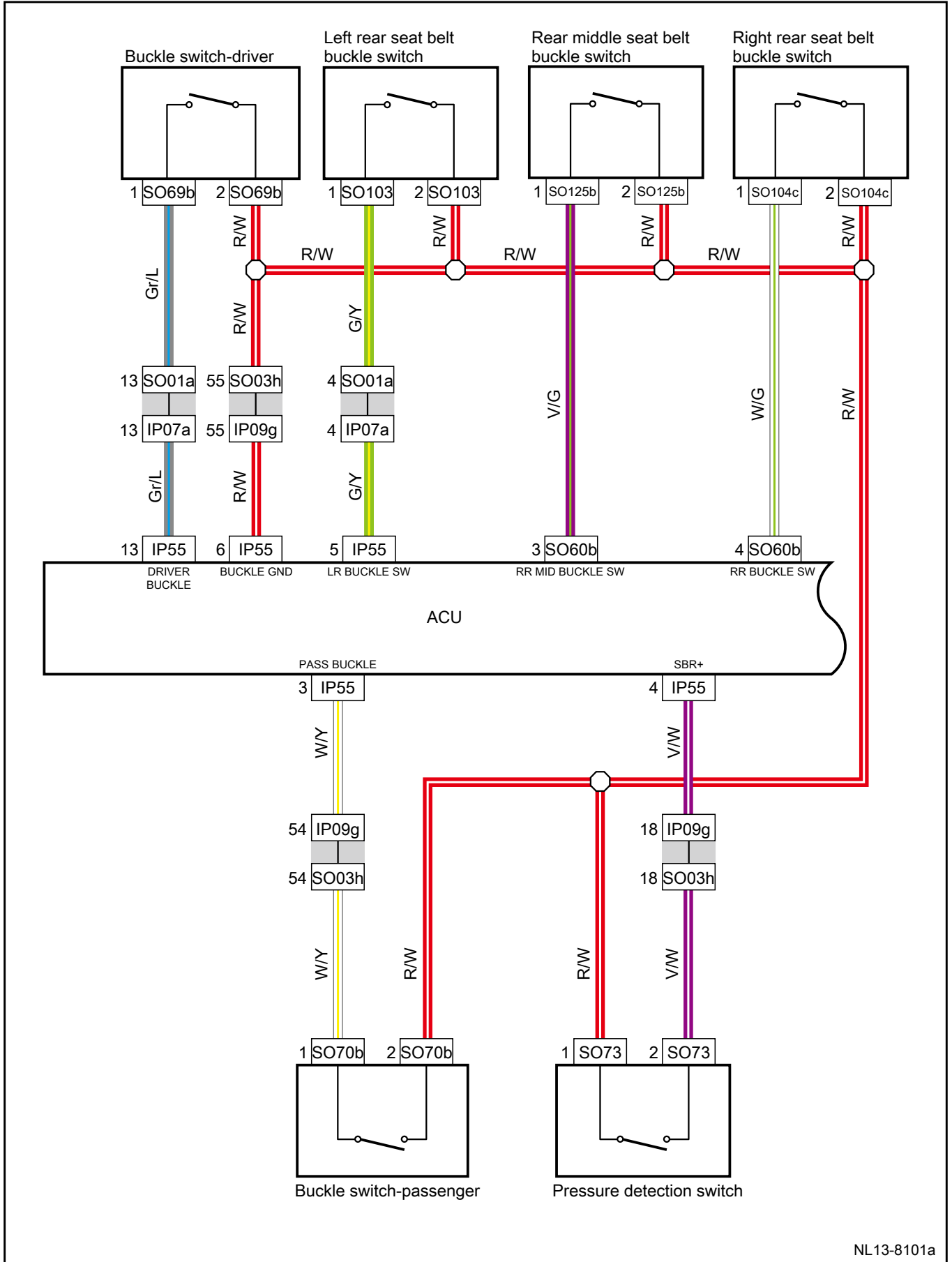


NL13-8100a

---

Harness connector	Name	Page
CA01i	Engine compartment to instrument panel harness connector 1	30
CA27a	Left front impact sensor harness connector	29
CA35	Right front impact sensor harness connector	32
CA173a	Engine compartment to front-end module harness connector	29
CA174a	Front-end module to engine compartment harness connector	32
IP02i	Instrument panel to engine compartment harness connector 1	78
IP55	ACU harness connector B	78
SO60b	ACU harness connector A	124
SO74	Left impact sensor harness connector	123
SO75	Right impact sensor harness connector	124

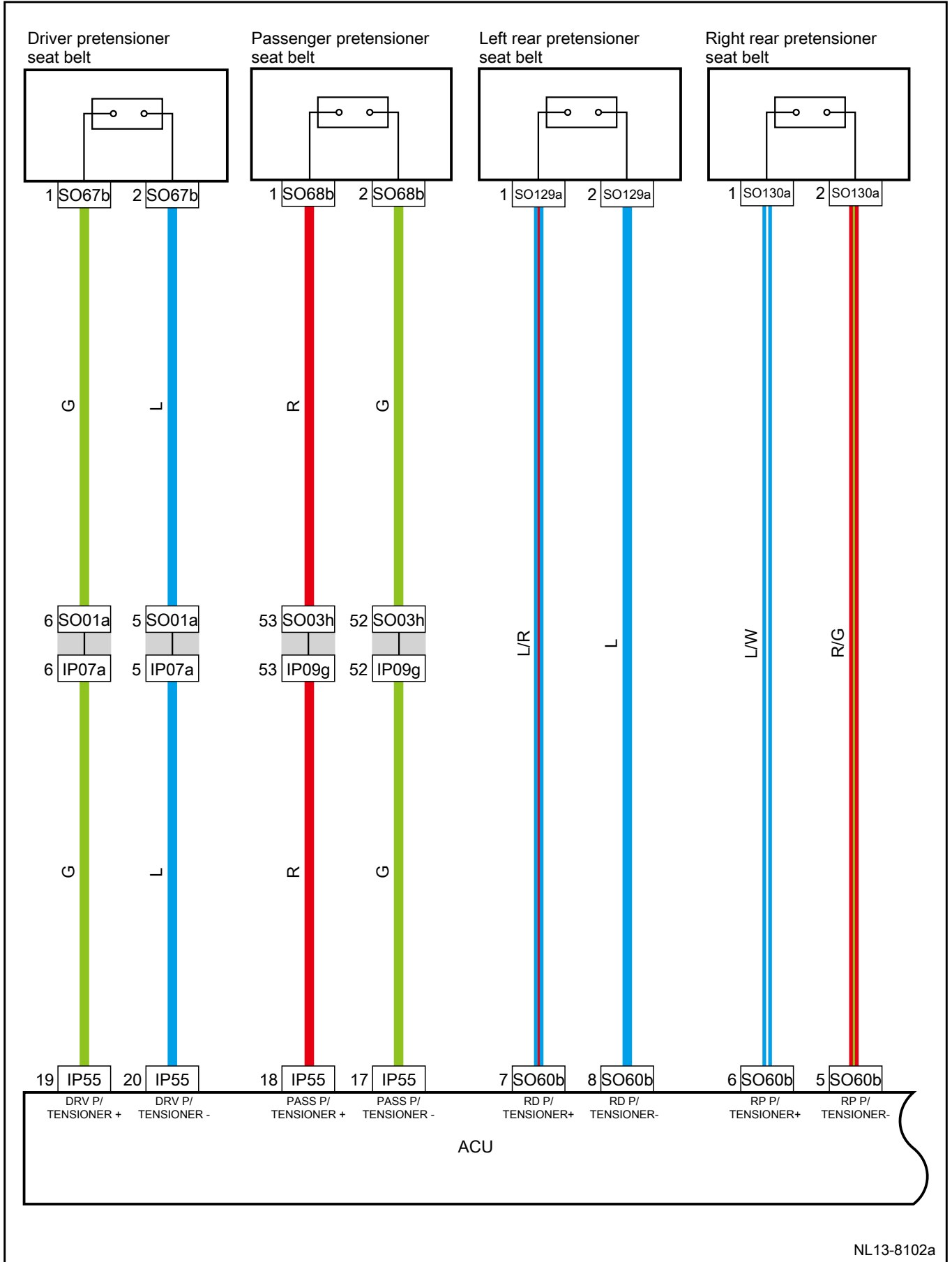
Seat belt buckle switch 1



NL13-8101a

Harness connector	Name	Page
IP07a	Instrument panel to floor harness connector 1	78
IP09g	Instrument panel to floor harness connector 3	80
IP55	ACU harness connector B	78
SO01a	Floor to instrument panel harness connector 1	123
SO03h	Floor to instrument panel harness connector 3	124
SO60b	ACU harness connector A	124
SO69b	Driver seat belt buckle switch harness connector	123
SO70b	Passenger seat belt buckle switch harness connector	124
SO73	Pressure detection switch harness connector	124
SO103	Left rear seat belt buckle switch harness connector	123
SO104c	Right rear seat belt buckle switch harness connector	123
SO125b	Rear mid seat belt buckle switch harness connector	123

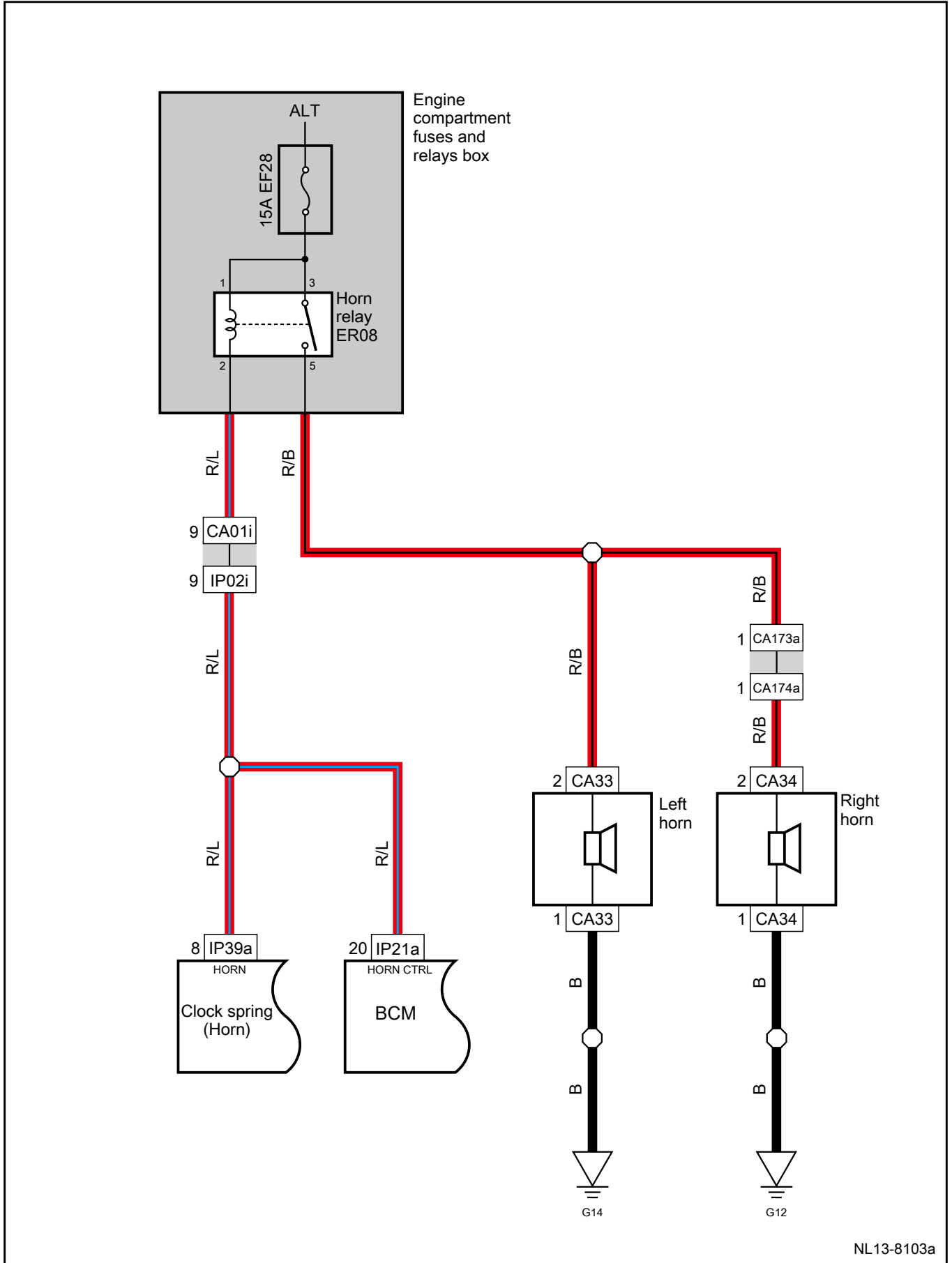
Seat belt buckle switch 2



---

Harness connector	Name	Page
IP07a	Instrument panel to floor harness connector 1	78
IP09g	Instrument panel to floor harness connector 3	80
IP55	ACU harness connector B	78
SO01a	Floor to instrument panel harness connector 1	123
SO03h	Floor to instrument panel harness connector 3	124
SO60b	ACU harness connector A	124
SO67b	Driver pretensioner seat belt harness connector	123
SO68b	Passenger pretensioner seat belt harness connector	124
SO129a	Left rear pretensioner seat belt harness connector	124
SO130a	Right rear pretensioner seat belt harness connector	124

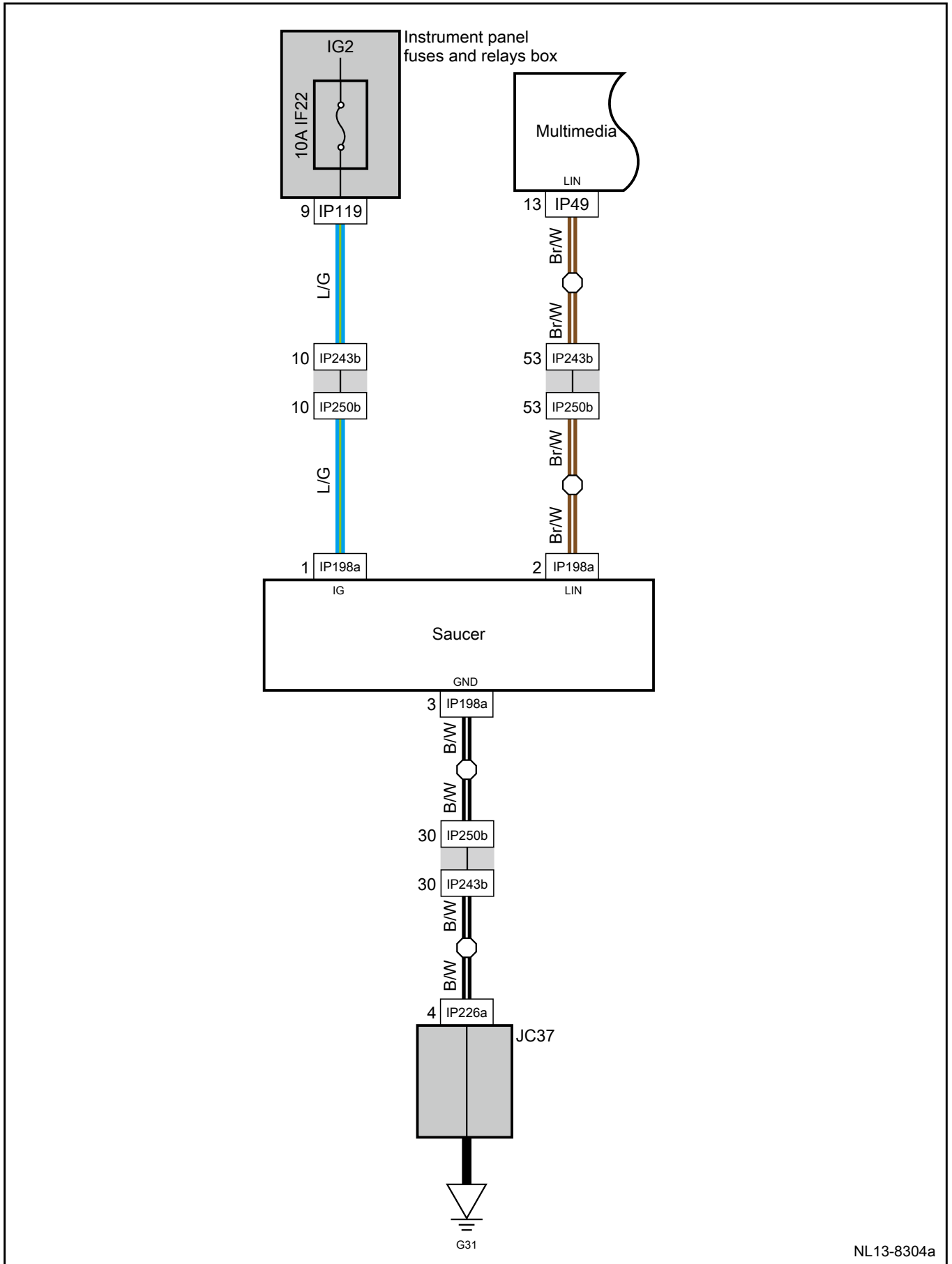
Horn control



NL13-8103a

Harness connector	Name	Page
CA01i	Engine compartment to instrument panel harness connector 1	30
CA33	Left horn harness connector	29
CA34	Right horn harness connector	32
CA173a	Engine compartment to front-end module harness connector	29
CA174a	Front-end module to engine compartment harness connector	32
IP02i	Instrument panel to engine compartment harness connector 1	78
IP21a	Body control module harness connector 2	78
IP39a	Clock spring harness connector A	79
G12	Front-end module harness grounding	192
G14	Engine compartment harness grounding	191

Hot and cold Cup

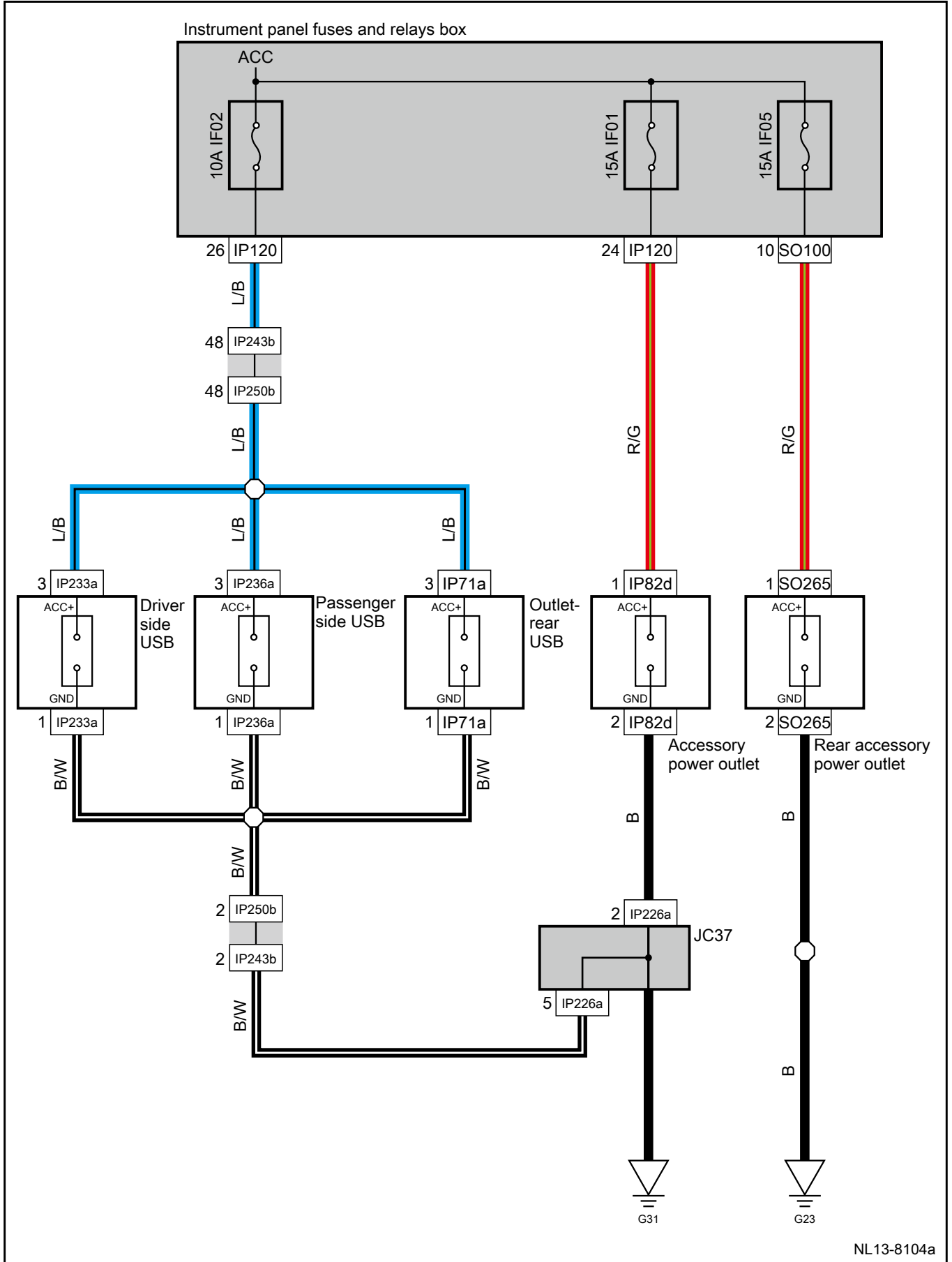


NL13-8304a

---

Harness connector	Name	Page
IP49	Multimedia harness connector C	80
IP119	Intelligent electrical junction boxes harness connector E	78
IP198a	Saucer harness connector	82
IP226a	JC37 harness connector	78
IP243b	Instrument panel to Instrument-wire harness connector	78
IP250b	Instrument-wire to Instrument panel harness connector	82
G31	Instrument panel harness grounding	195

Cigar lighter and accessory power outlet 1

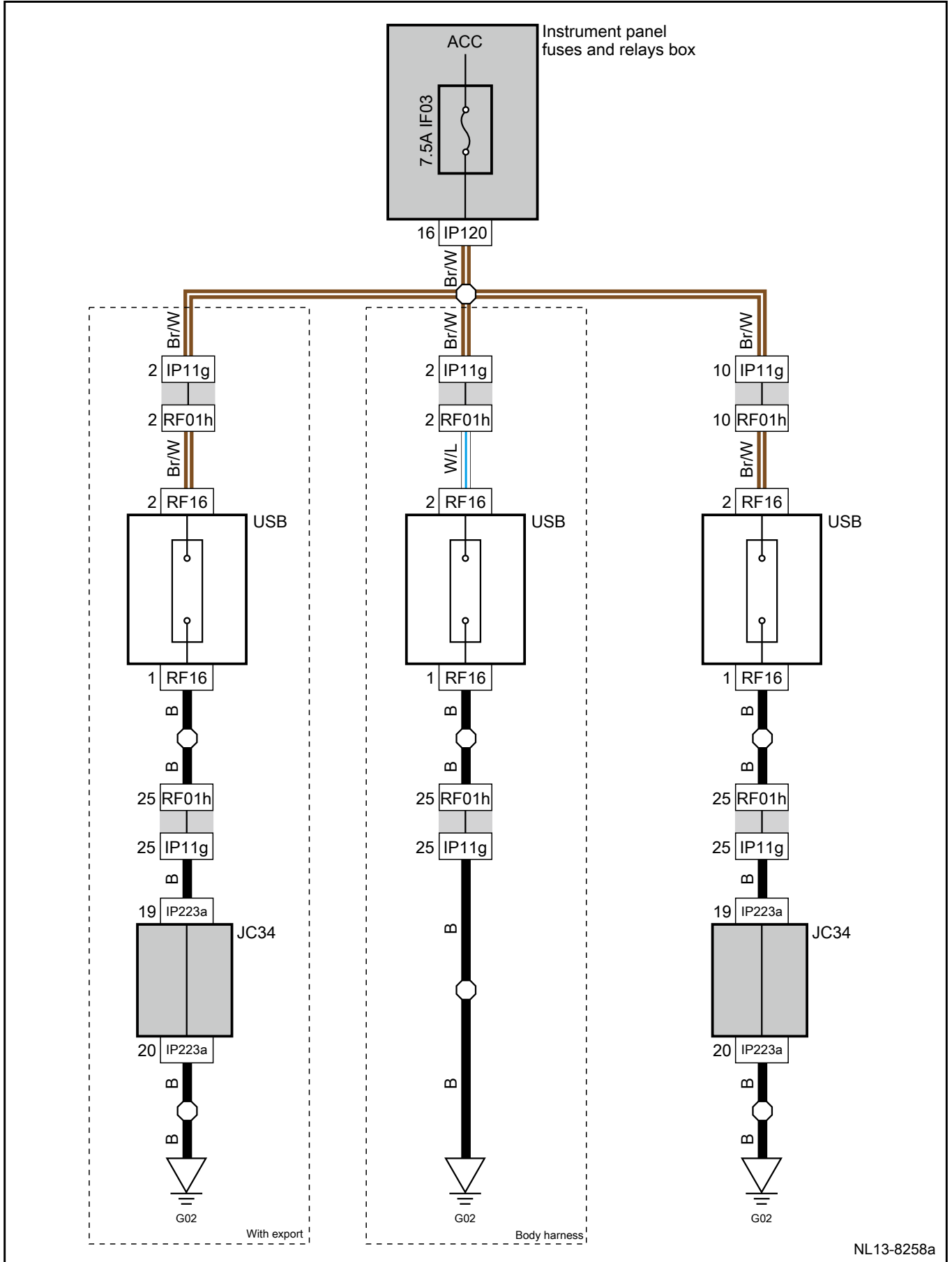


NL13-8104a

---

Harness connector	Name	Page
IP71a	USB power outlet harness connector	82
IP82d	Accessory power outlet harness connector	78
IP120	Intelligent electrical junction boxes harness connector F	78
IP226a	JC37 harness connector	78
IP233a	Driver side USB harness connector	82
IP236a	Passenger side USB harness connector	82
IP243b	Instrument panel to Instrument-wire harness connector	78
IP250b	Instrument-wire to Instrument panel harness connector	82
SO100	Intelligent electrical junction boxes harness connector C	123
SO265	Rear accessory power outlet harness connector	124
G23	Floor harness grounding	196
G31	Instrument panel harness grounding	195

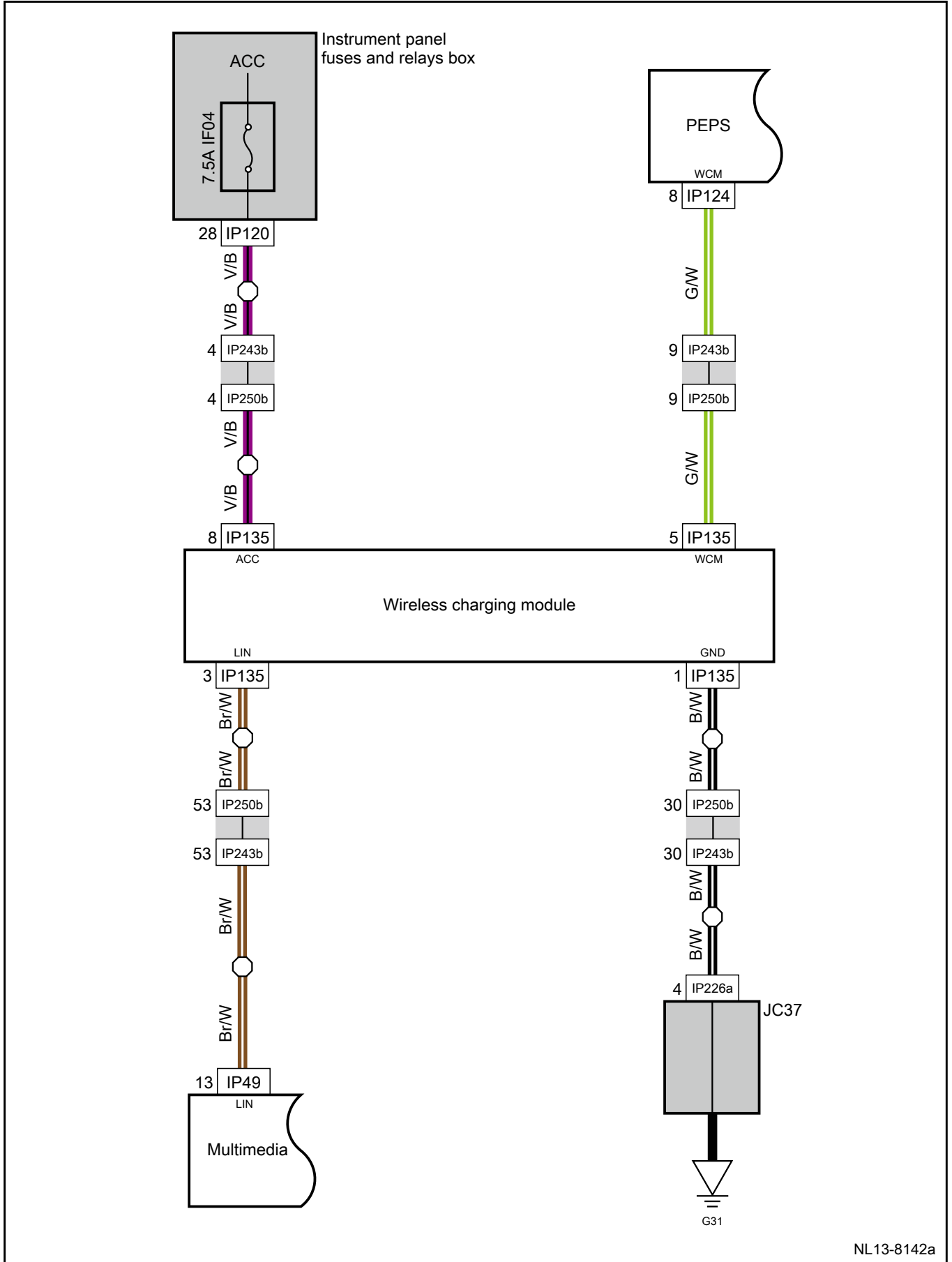
Cigar lighter and accessory power outlet 2



---

Harness connector	Name	Page
IP11g	Instrument panel to roof harness connector 1	80
IP120	Intelligent electrical junction boxes harness connector F	78
IP223a	JC34 harness connector	78
RF01h	Roof to instrument panel harness connector 1	117
RF16	USB harness connector	117
G02	Instrument panel harness grounding	195

Wireless charging



NL13-8142a

---

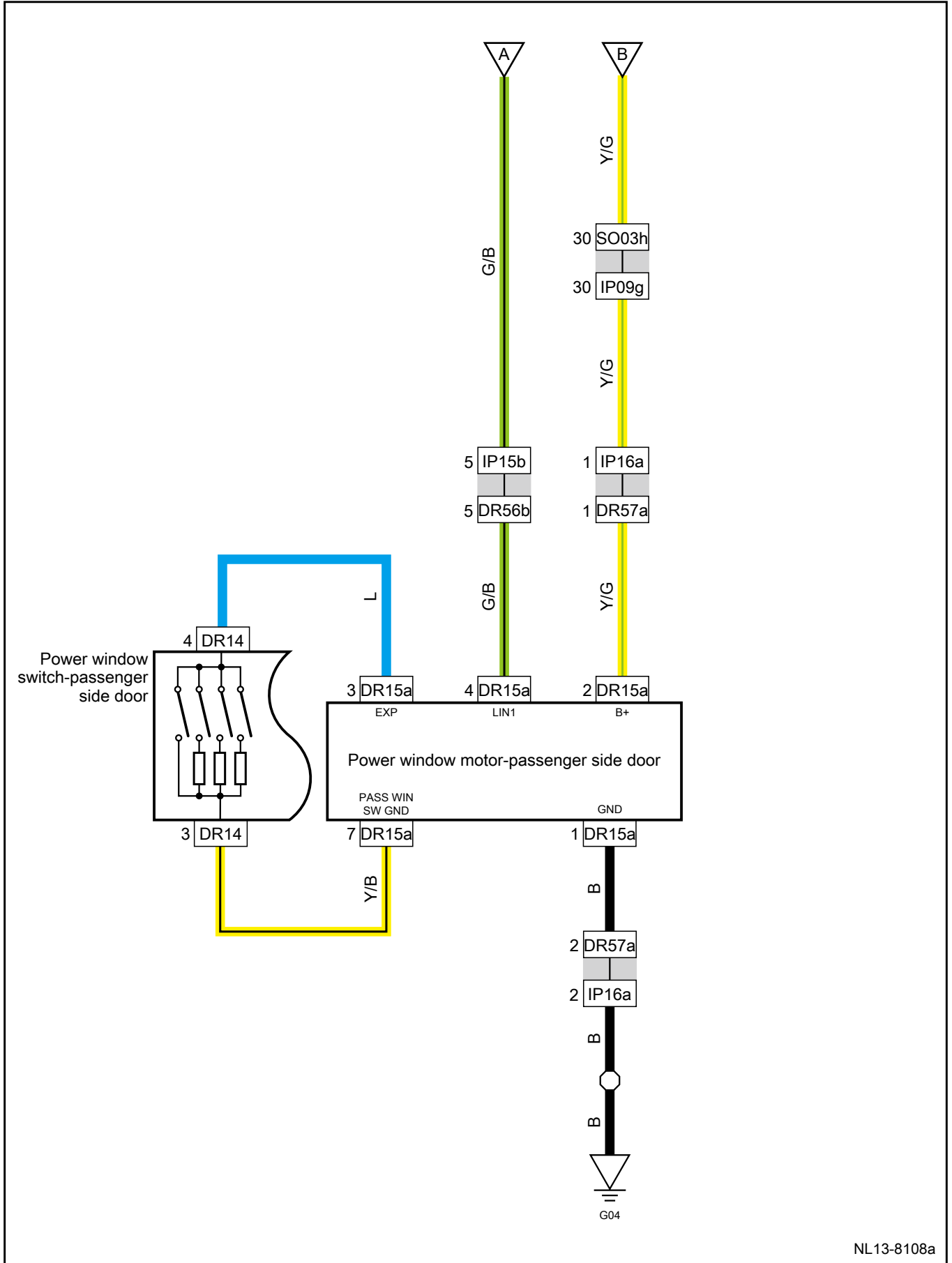
Harness connector	Name	Page
IP49	Multimedia harness connector C	80
IP120	Intelligent electrical junction boxes harness connector F	78
IP124	Passive entry passive start control module harness connector 1	80
IP135	Wireless charging module harness connector	82
IP226a	JC37 harness connector	78
IP243b	Instrument panel to Instrument-wire harness connector	78
IP250b	Instrument-wire to Instrument panel harness connector	82
G31	Instrument panel harness grounding	195



Harness connector	Name	Page
DR04	Driver side door power window switch harness connector	171
DR05a	Driver side door power window motor harness connector	171
DR51b	Driver side door to instrument panel harness connector 1	171
DR52a	Driver side door to instrument panel harness connector 2	171
IP07a	Instrument panel to floor harness connector 1	78
IP13b	Instrument panel to driver side door harness connector 1	78
IP14a	Instrument panel to driver side door harness connector 2	78
IP20a	Body control module harness connector 1	78
IP21a	Body control module harness connector 2	78
IP121	Intelligent electrical junction boxes harness connector G	78
SO01a	Floor to instrument panel harness connector 1	123
SO100	Intelligent electrical junction boxes harness connector C	123
G02	Instrument panel harness grounding	195
G04	Instrument panel harness grounding	195

Join point	Explanations	Page
A	To power window 2	570
	To power window 3	572
B	To power window 2	570
	To power window 4	574
C	To power window 3	572

Power window 2



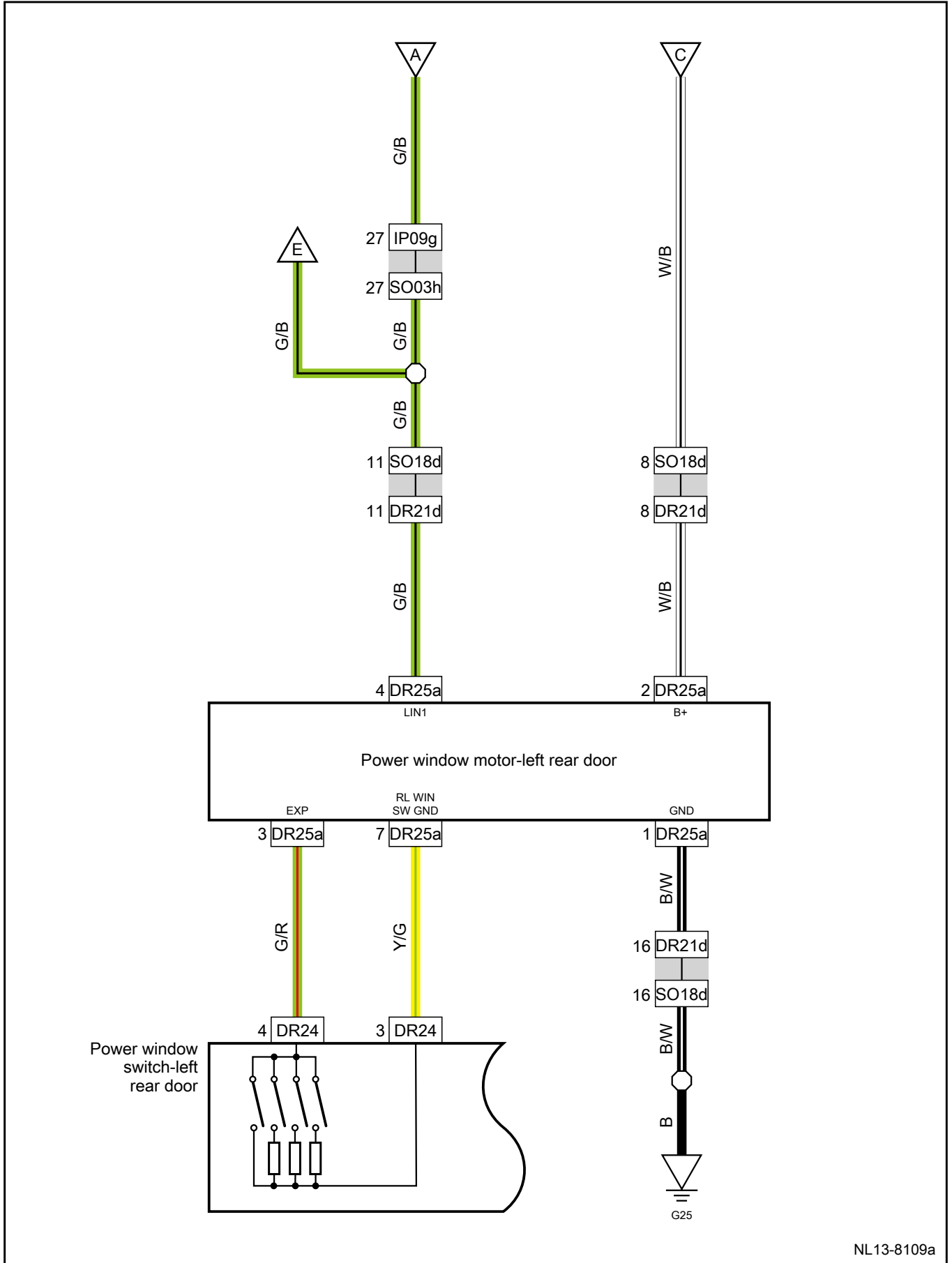
NL13-8108a

---

Harness connector	Name	Page
DR14	Passenger side door power window switch harness connector	172
DR15a	Passenger side door power window motor harness connector	172
DR56b	Passenger side door to instrument panel harness connector 1	172
DR57a	Passenger side door to instrument panel harness connector 2	172
IP09g	Instrument panel to floor harness connector 3	80
IP15b	Instrument panel to passenger side door harness connector 1	79
IP16a	Instrument panel to passenger side door harness connector 2	80
SO03h	Floor to instrument panel harness connector 3	124
G04	Instrument panel harness grounding	195

Join point	Explanations	Page
A	To power window 1	568
B	To power window 1	568

Power Window 3



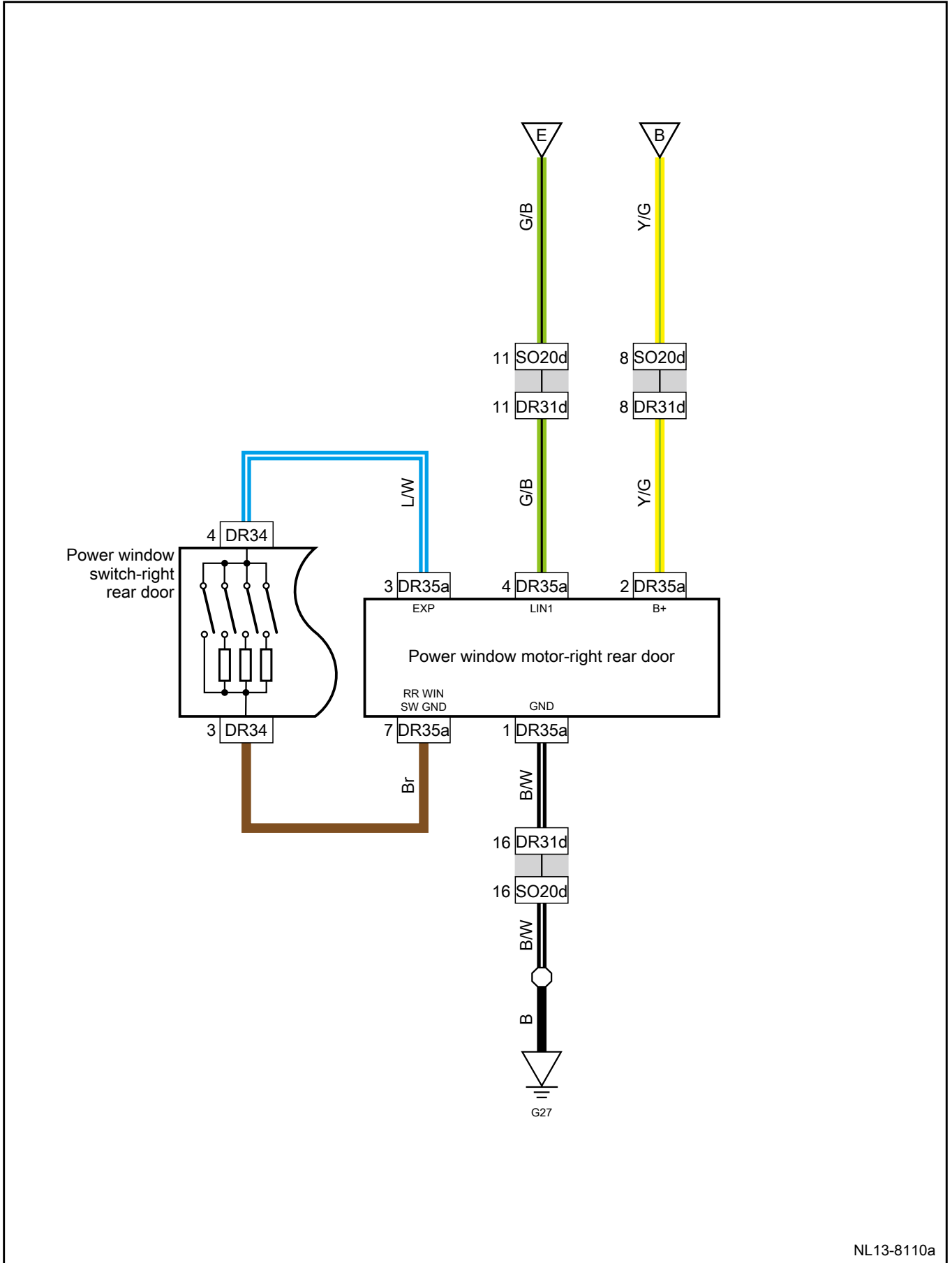
NL13-8109a

---

Harness connector	Name	Page
DR21d	Left rear door to floor harness connector	173
DR24	Left rear door power window switch harness connector	173
DR25a	Left rear door power window motor harness connector	173
IP07a	Instrument panel to floor harness connector 1	78
IP09g	Instrument panel to floor harness connector 3	80
SO01a	Floor to instrument panel harness connector 1	123
SO03h	Floor to instrument panel harness connector 3	124
SO18d	Floor to left rear door harness connector	123
G25	Floor harness grounding	196

Join point	Explanations	Page
A	To power window 1	568
C	To power window 1	568
E	To power window 4	574

Power window 4



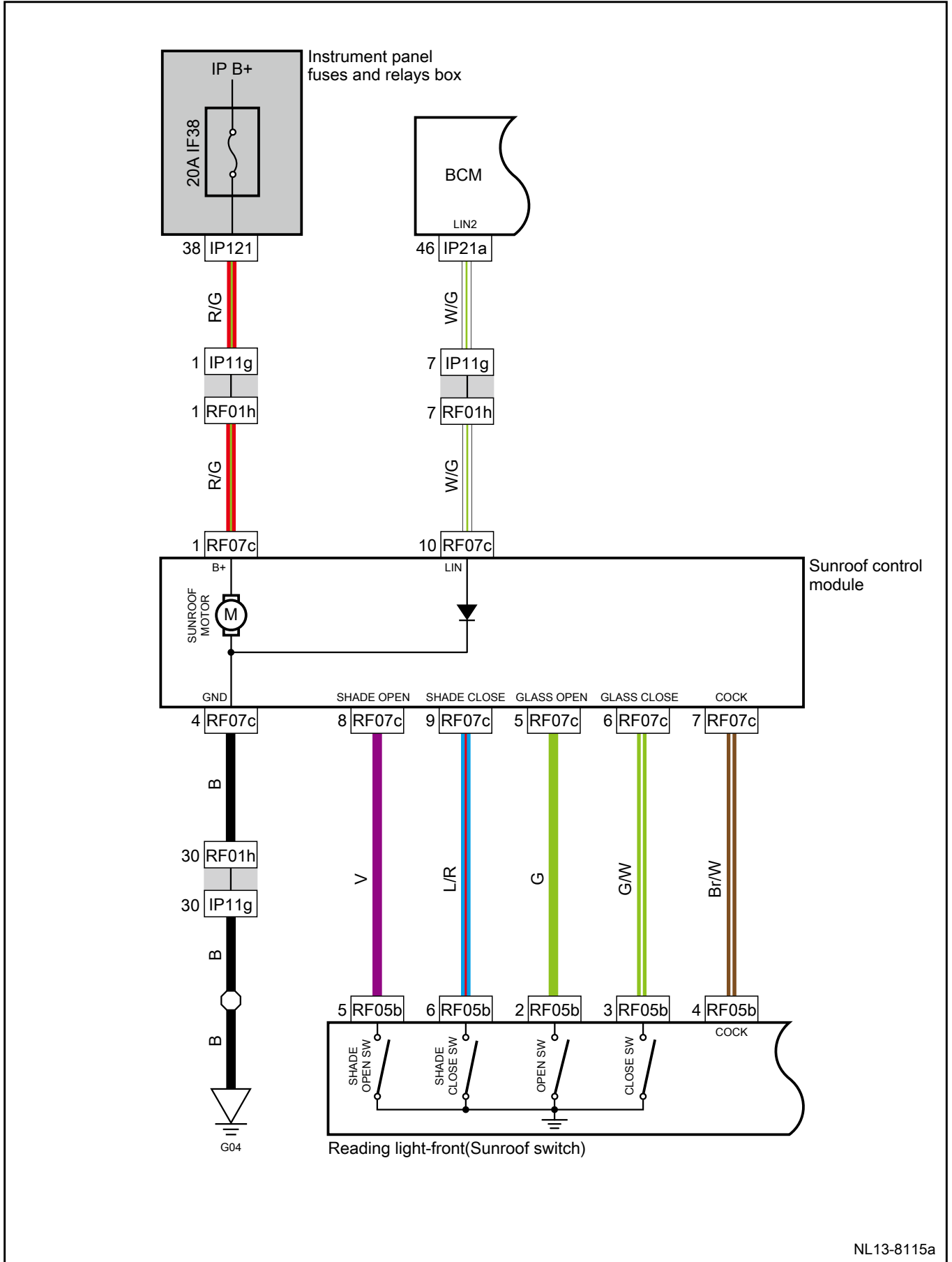
NL13-8110a

---

Harness connector	Name	Page
DR31d	Right rear door to floor harness connector	174
DR34	Right rear door power window switch harness connector	174
DR35a	Right rear door power window motor harness connector	174
SO20d	Floor to right rear door harness connector	124
G27	Floor harness grounding	196

Join point	Explanations	Page
B	To power window 1	568
E	To power window 3	572

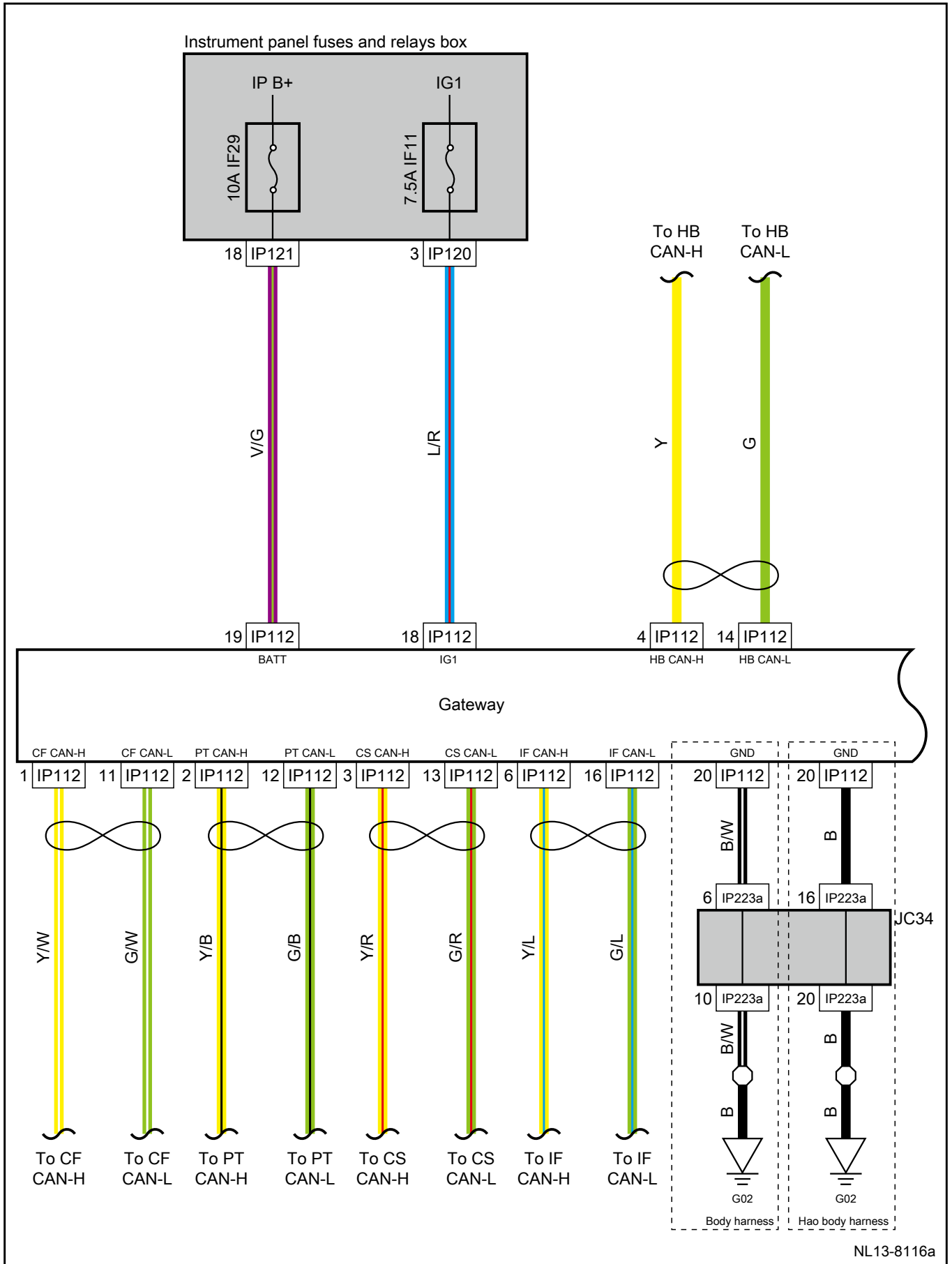
Power window



---

Harness connector	Name	Page
IP11g	Instrument panel to roof harness connector 1	80
IP21a	Body control module harness connector 2	78
IP121	Intelligent electrical junction boxes harness connector G	78
RF01h	Roof to instrument panel harness connector 1	117
RF05b	Front reading light harness connector	117
RF07c	Sunroof control module harness connector	117
G04	Instrument panel harness grounding	195

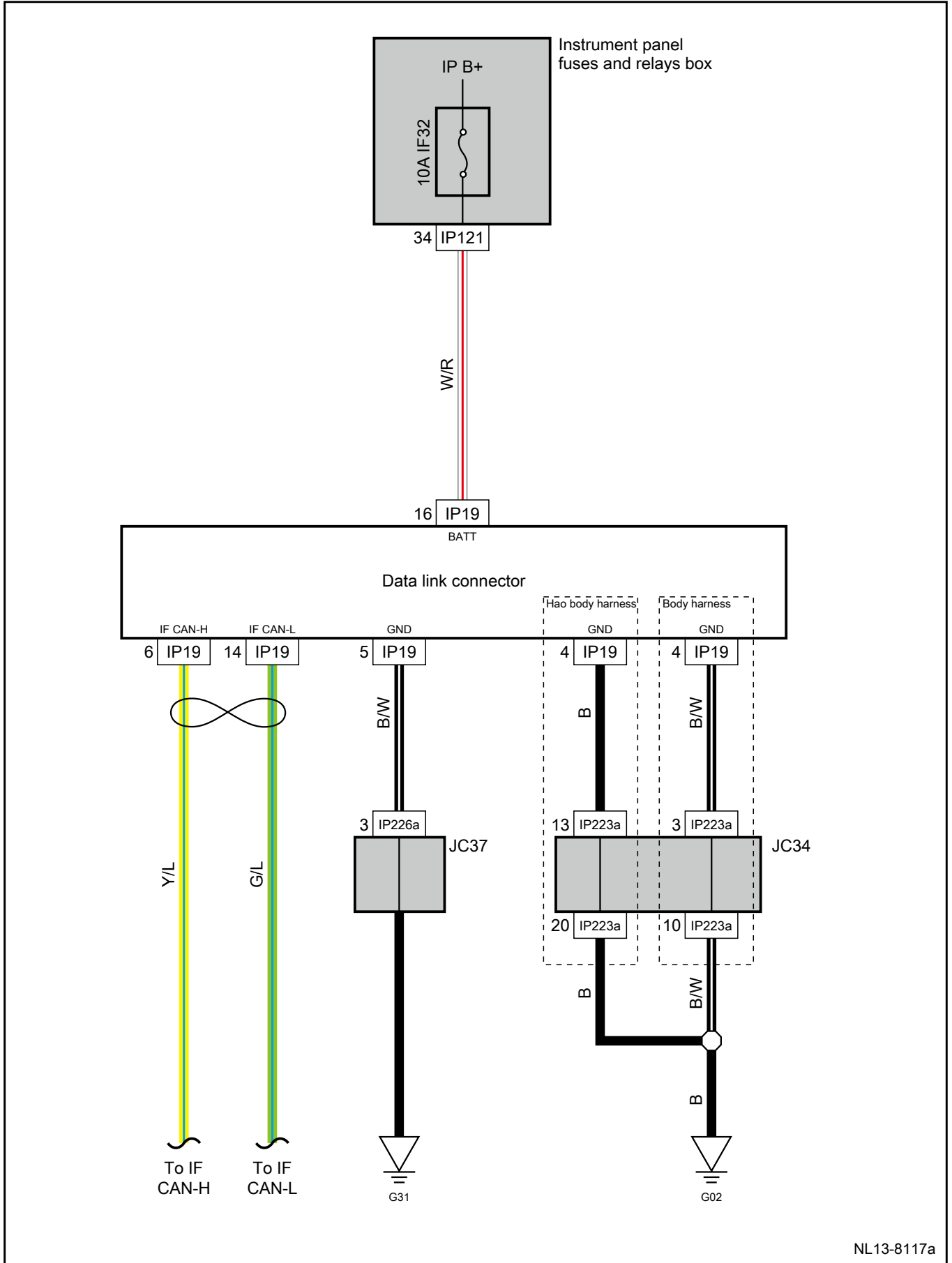
Gateway



Harness connector	Name	Page
IP112	Gateway harness connector	78
IP120	Intelligent electrical junction boxes harness connector F	78
IP121	Intelligent electrical junction boxes harness connector G	78
IP223a	JC34 harness connector	78
G02	Instrument panel harness grounding	195

Join point	Explanations	Page
IP112-1	To CF CAN-H	596,598
IP112-11	To CF CAN-L	596,598
IP112-2	To PT CAN-H	586
IP112-12	To PT CAN-L	586
IP112-3	To CS CAN-H	604,606
IP112-13	To CS CAN-L	604,606
IP112-6	To IF CAN-H	590,594
IP112-16	To IF CAN-L	590,594
IP112-4	To HB CAN-H	582,584
IP112-14	To HB CAN-L	582,584

Data link connector



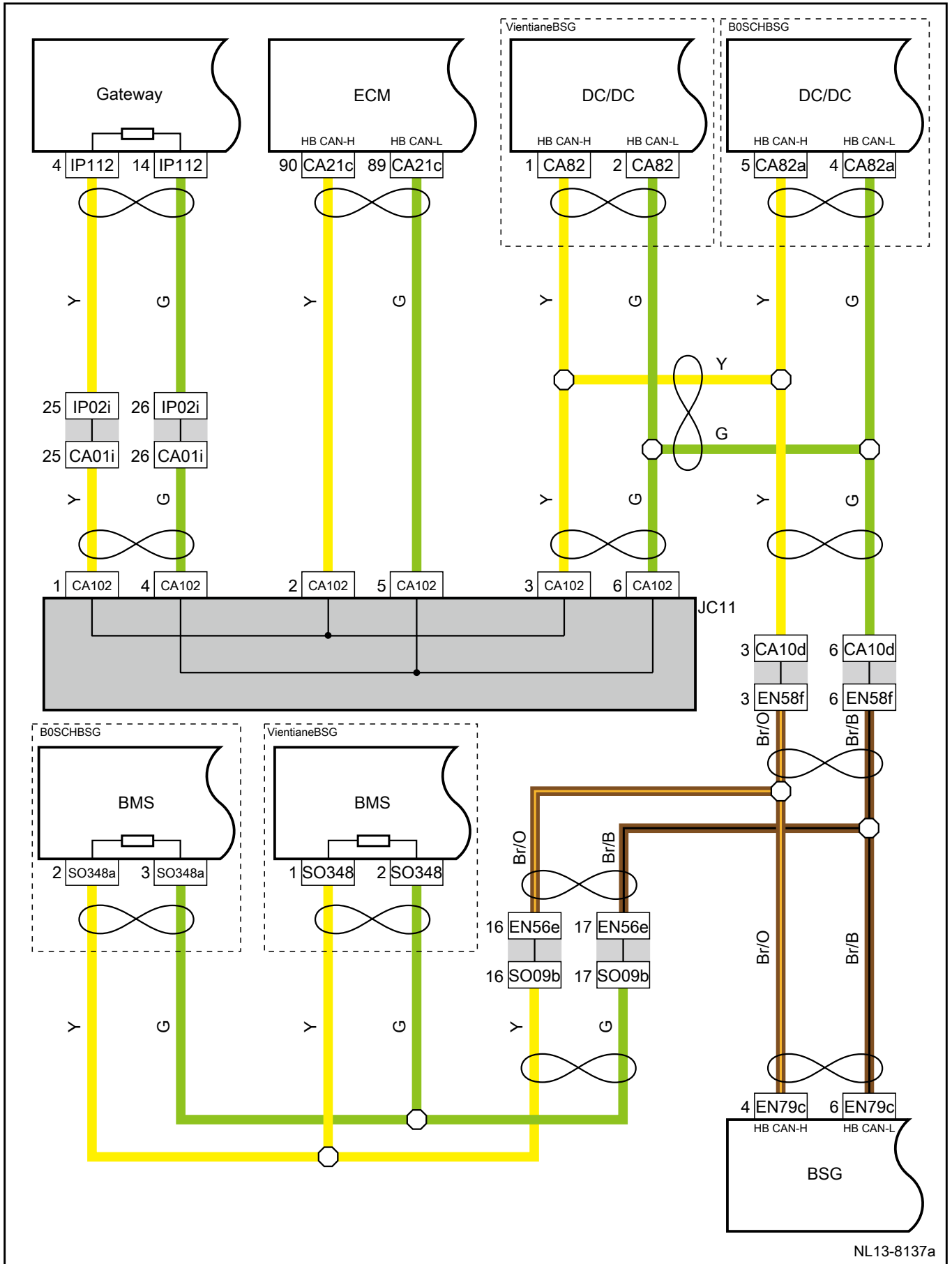
NL13-8117a

---

Harness connector	Name	Page
IP19	Data link connector harness connector	78
IP121	Intelligent electrical junction boxes harness connector G	78
IP223a	JC34 harness connector	78
IP226a	JC37 harness connector	78
G02	Instrument panel harness grounding	195
G31	Instrument panel harness grounding	195

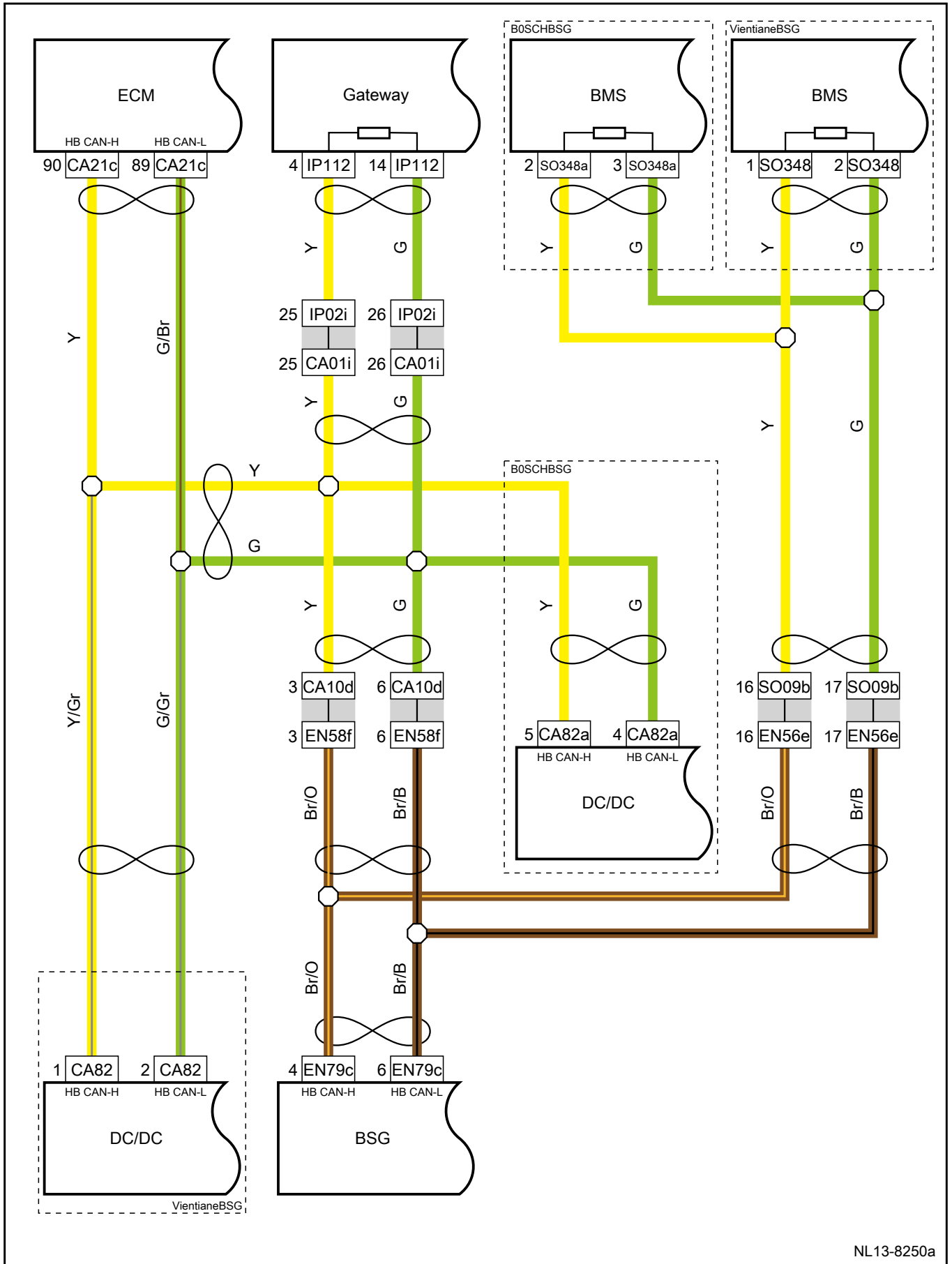
Join point	Explanations	Page
IP19-6	To IF CAN-H	590,594
IP19-14	To IF CAN-L	590,594

Controller area network 1(HB\_CAN)



Harness connector	Name	Page
CA01i	Engine compartment to instrument panel harness connector 1	30
CA10d	Engine compartment to engine harness connector 2	29
CA21c	Engine control module harness connector 2	29
CA82	DC/DC harness connector	29
CA82a	DC/DC harness connector	29
CA102	JC11 harness connector	29
EN56e	Engine to floor harness connector	49
EN58f	Engine to engine compartment harness connector 2	50
EN79c	BSG signal harness connector	50
IP02i	Instrument panel to engine compartment harness connector 1	78
IP112	Gateway harness connector	78
SO09b	Floor to engine harness connector	124
SO348	BMS module harness connector	123
SO348a	BMS module harness connector	125

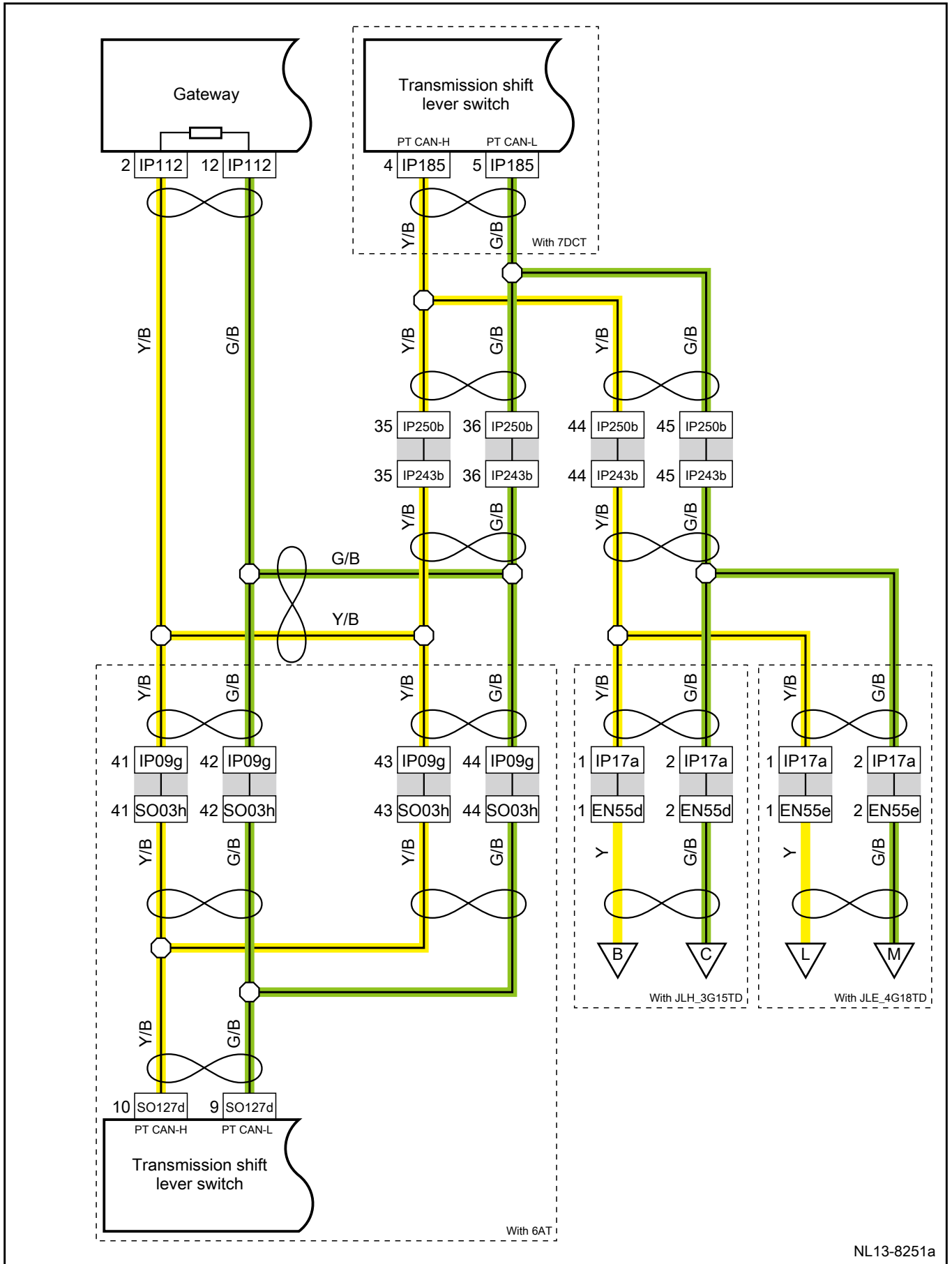
Controller Area Network 1(HB\_CAN)(Body harness)



NL13-8250a

Harness connector	Name	Page
CA01i	Engine compartment to instrument panel harness connector 1	30
CA10d	Engine compartment to engine harness connector 2	29
CA21c	Engine control module harness connector 2	29
CA82	DC/DC harness connector	29
CA82a	DC/DC harness connector	29
EN56e	Engine to floor harness connector	49
EN58f	Engine to engine compartment harness connector 2	50
EN79c	BSG signal harness connector	50
IP02i	Instrument panel to engine compartment harness connector 1	78
IP112	Gateway harness connector	78
SO09b	Floor to engine harness connector	124
SO348	BMS module harness connector	123
SO348a	BMS module harness connector	125

Controller Area Network 2(PT\_CAN)

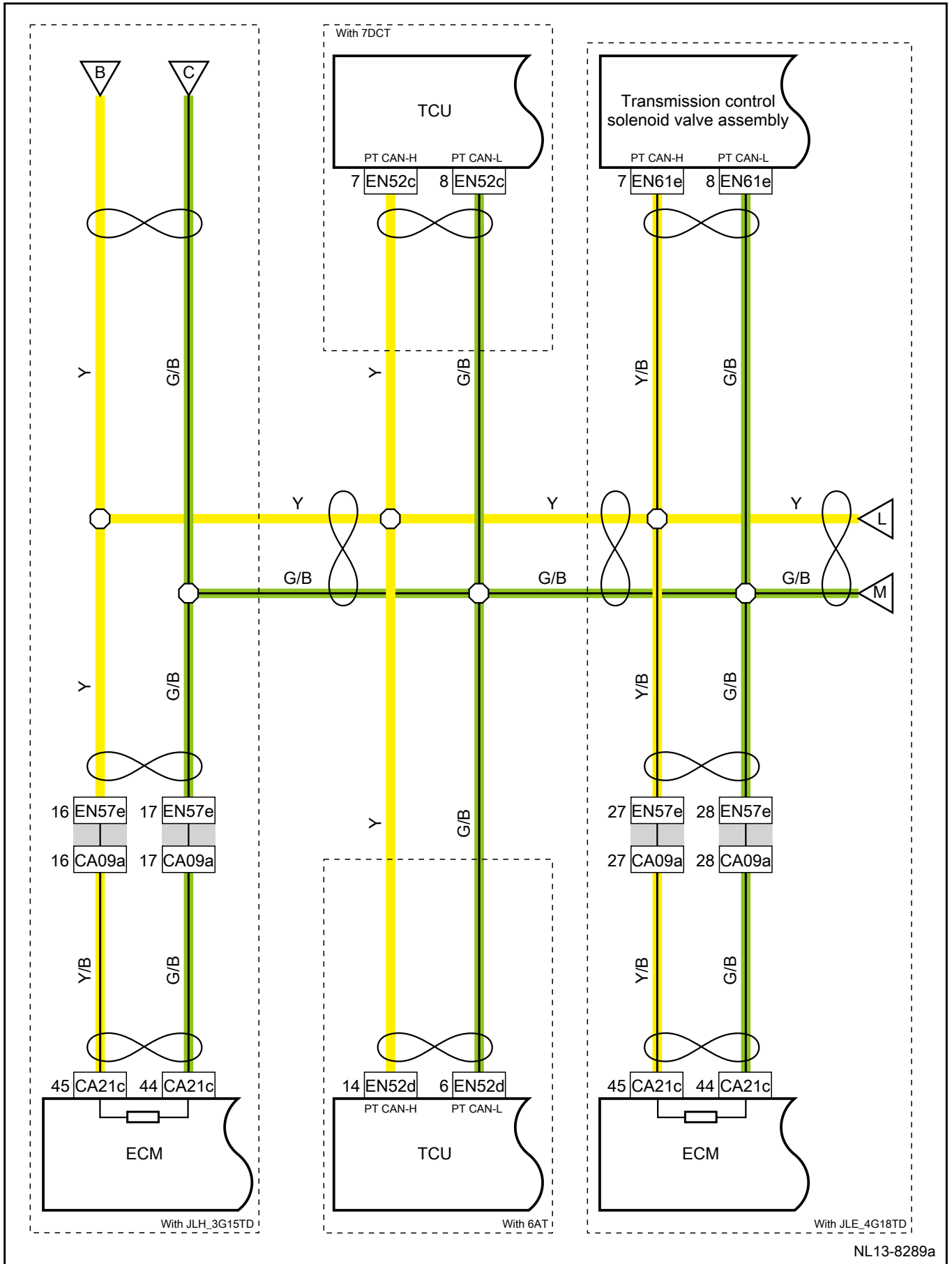


NL13-8251a

Harness connector	Name	Page
EN55d	Engine to Instrument panel harness connector	49
EN55e	Engine to Instrument panel harness connector	65
IP09g	Instrument panel to floor harness connector 3	80
IP17a	Instrument panel to engine harness connector	79
IP112	Gateway harness connector	78
IP185	Transmission shift lever switch harness connector	82
IP243b	Instrument panel to Instrument-wire harness connector	78
IP250b	Instrument-wire to Instrument panel harness connector	82
SO03h	Floor to instrument panel harness connector 3	124
SO127d	Transmission shift lever switch harness connector 1	124

Join point	Explanations	Page
B	To controller area network 3(PT_CAN)	588
C	To controller area network 3(PT_CAN)	588
L	To controller area network 3(PT_CAN)	588
M	To controller area network 3(PT_CAN)	588

Controller area network 3(PT\_CAN)

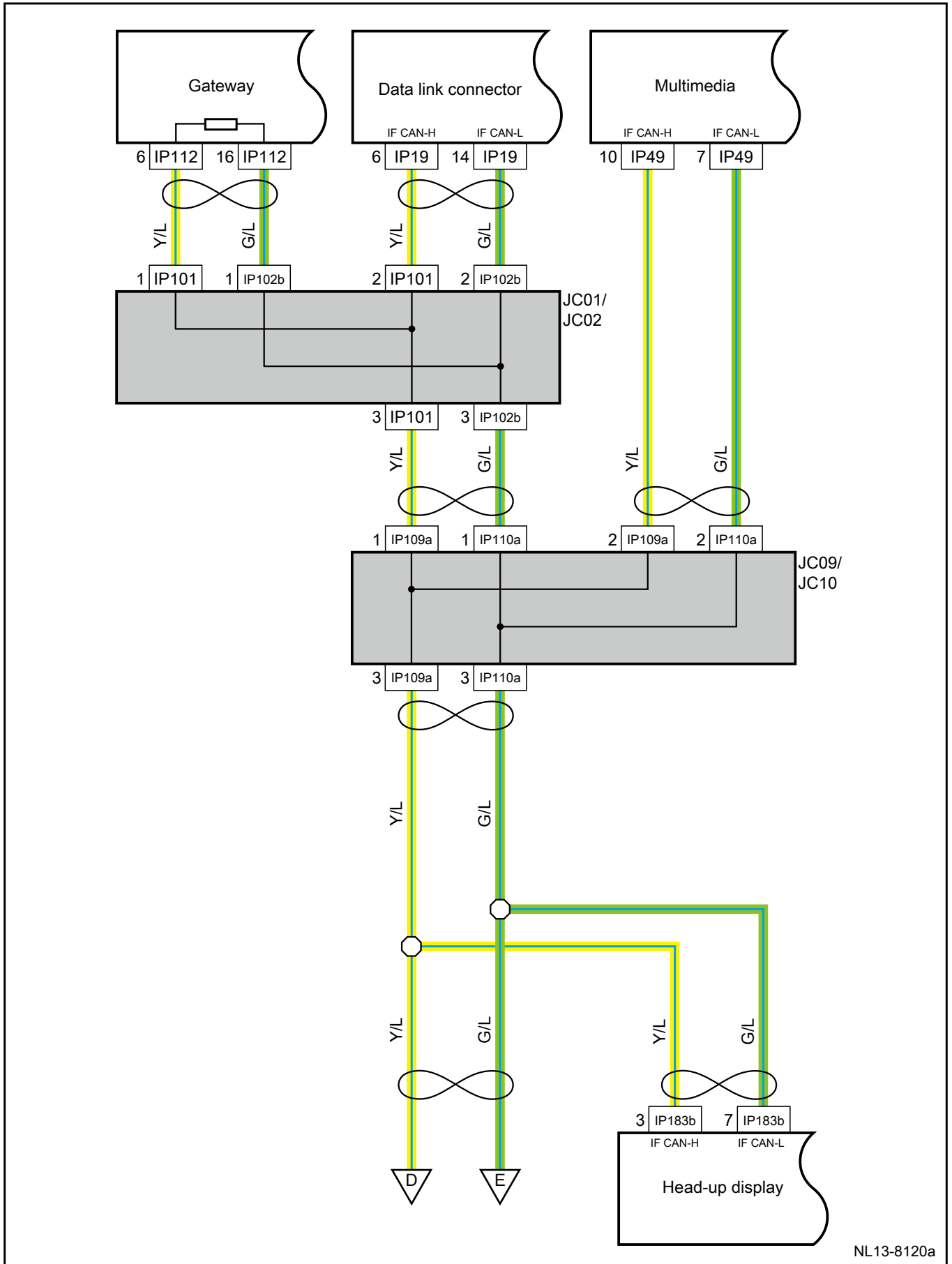


---

Harness connector	Name	Page
CA09a	Engine compartment to engine harness connector 1	29
CA21c	Engine control module harness connector 2	29
EN52c	TCU harness connector	49
EN52d	TCU harness connector	50
EN57e	Engine to engine compartment harness connector 1	50
EN61e	To automatic transmission control valve assembly harness connector	65

Join point	Explanations	Page
B	To controller area network 2(PT_CAN)	586
B	To controller area network 2(PT_CAN)	586
L	To controller area network 2(PT_CAN)	586
M	To controller area network 2(PT_CAN)	586

Controller area network 4(IF\_CAN)

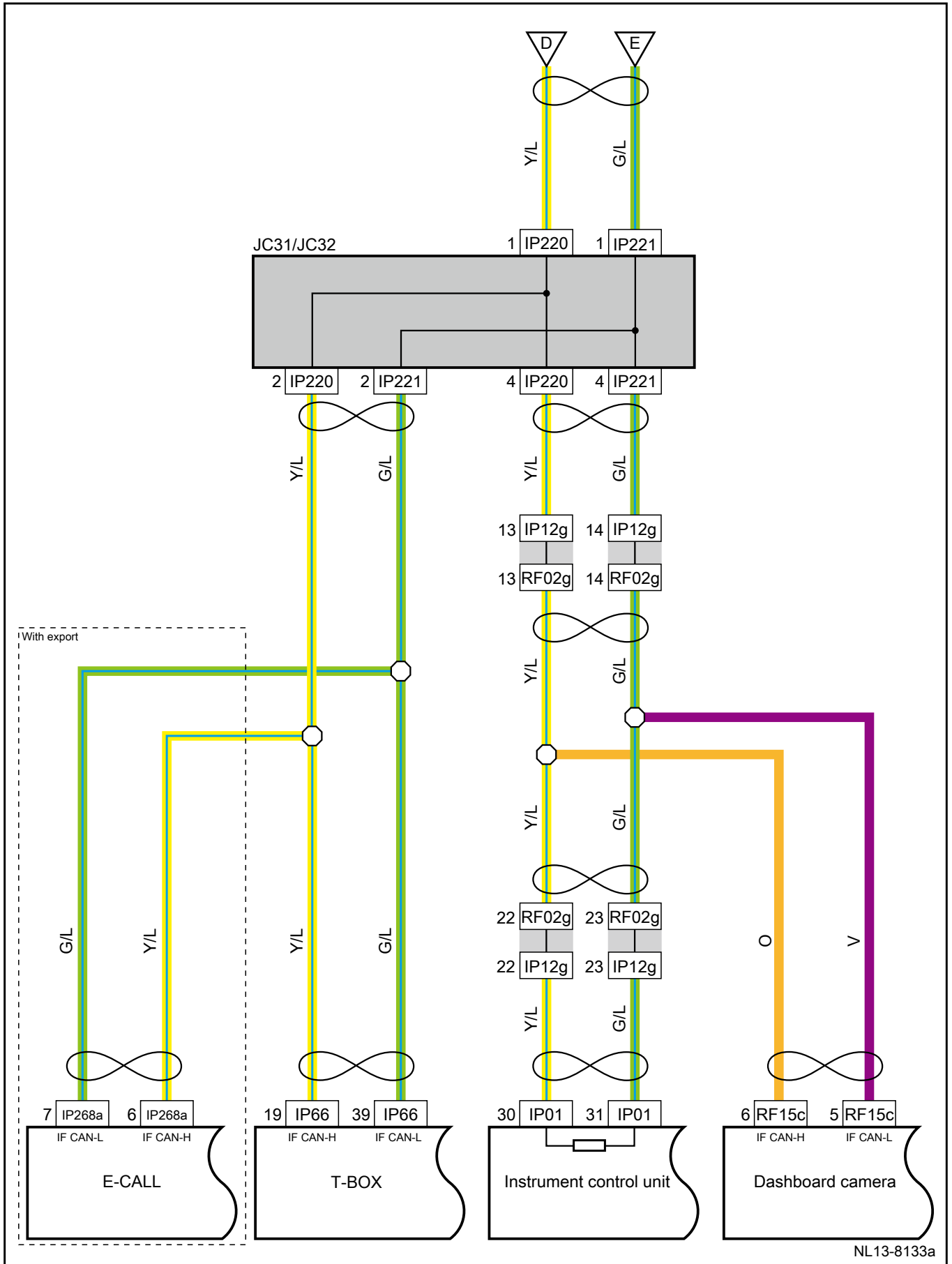


---

Harness connector	Name	Page
IP19	Data link connector harness connector	78
IP49	Multimedia harness connector C	80
IP101	JC01 harness connector	80
IP102b	JC02 harness connector	79
IP109a	JC09 harness connector	79
IP110a	JC10 harness connector	79
IP112	Gateway harness connector	78
IP183b	Head-up display harness connector	79

Join point	Explanations	Page
D	To controller area network 5(IF_CAN)	592
E	To controller area network 5(IF_CAN)	592

Controller area network 5(IF\_CAN)

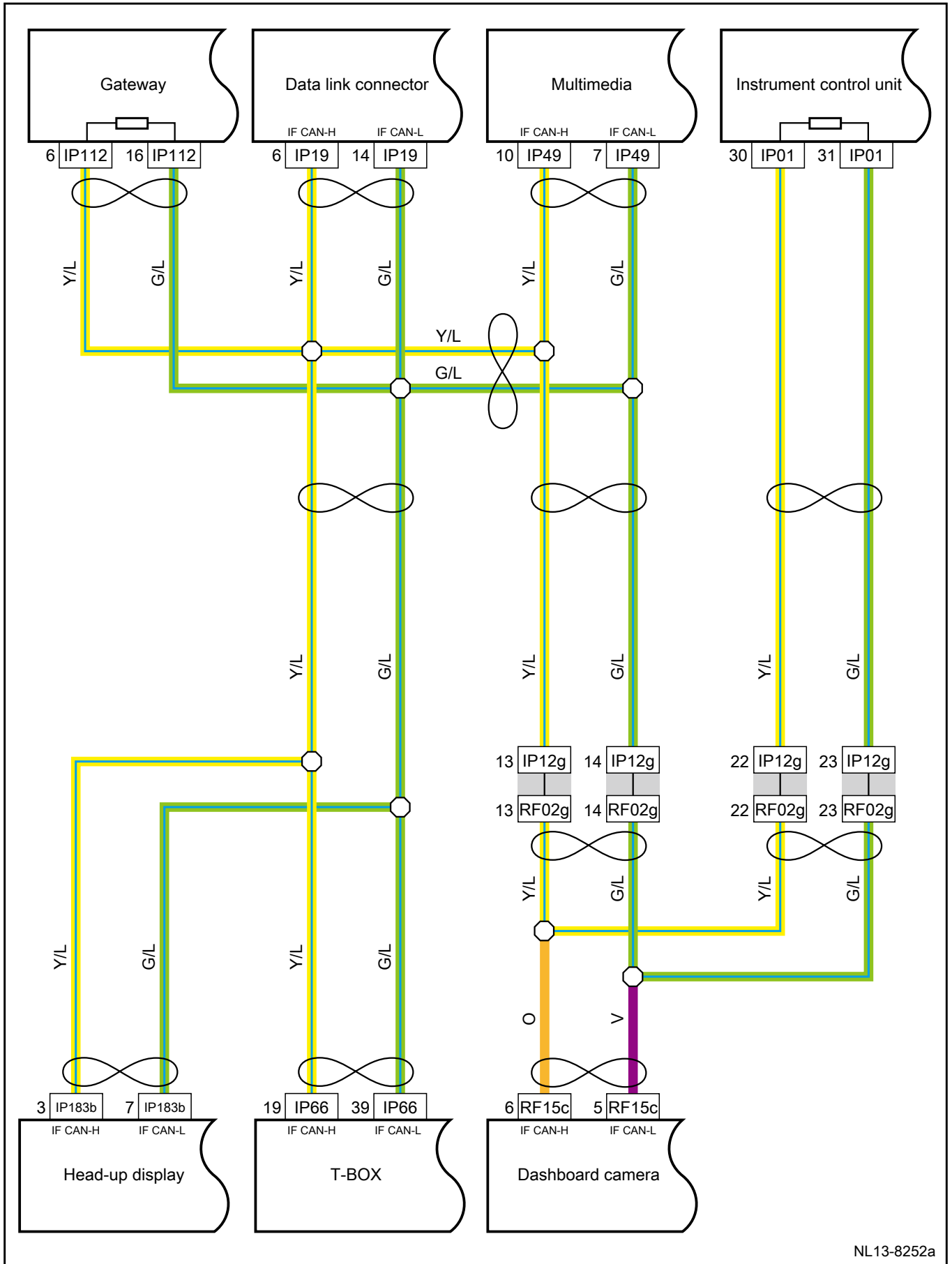


---

Harness connector	Name	Page
IP01	Instrument control unit harness connector	78
IP12g	Instrument panel to roof harness connector 2	78
IP66	Telematics BOX harness connector	80
IP220	JC31 harness connector	78
IP221	JC32 harness connector	78
IP268a	E-CALL harness connector	79
RF02g	Roof to instrument panel harness connector 2	117
RF15c	Dashboard camera harness connector	117

Join point	Explanations	Page
D	To controller area network 4(IF_CAN)	590
E	To controller area network 4(IF_CAN)	590

Controller area network 5(IF\_CAN)(Body harness)

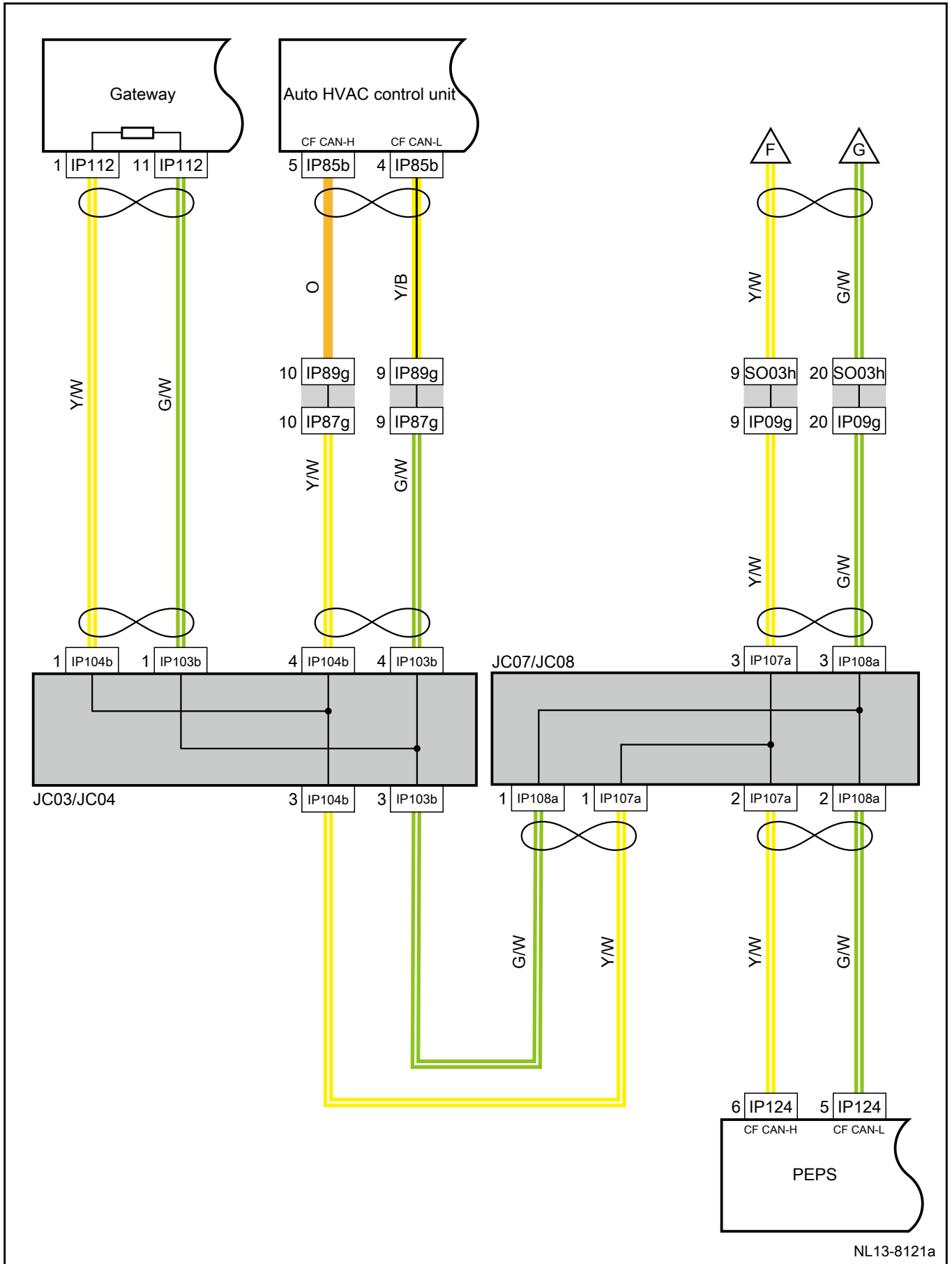


NL13-8252a

---

Harness connector	Name	Page
IP01	Instrument control unit harness connector	78
IP12g	Instrument panel to roof harness connector 2	78
IP19	Data link connector harness connector	78
IP49	Multimedia harness connector C	80
IP66	Telematics BOX harness connector	80
IP112	Gateway harness connector	78
IP183b	Head-up display harness connector	79
RF02g	Roof to instrument panel harness connector 2	117
RF15c	Dashboard camera harness connector	117

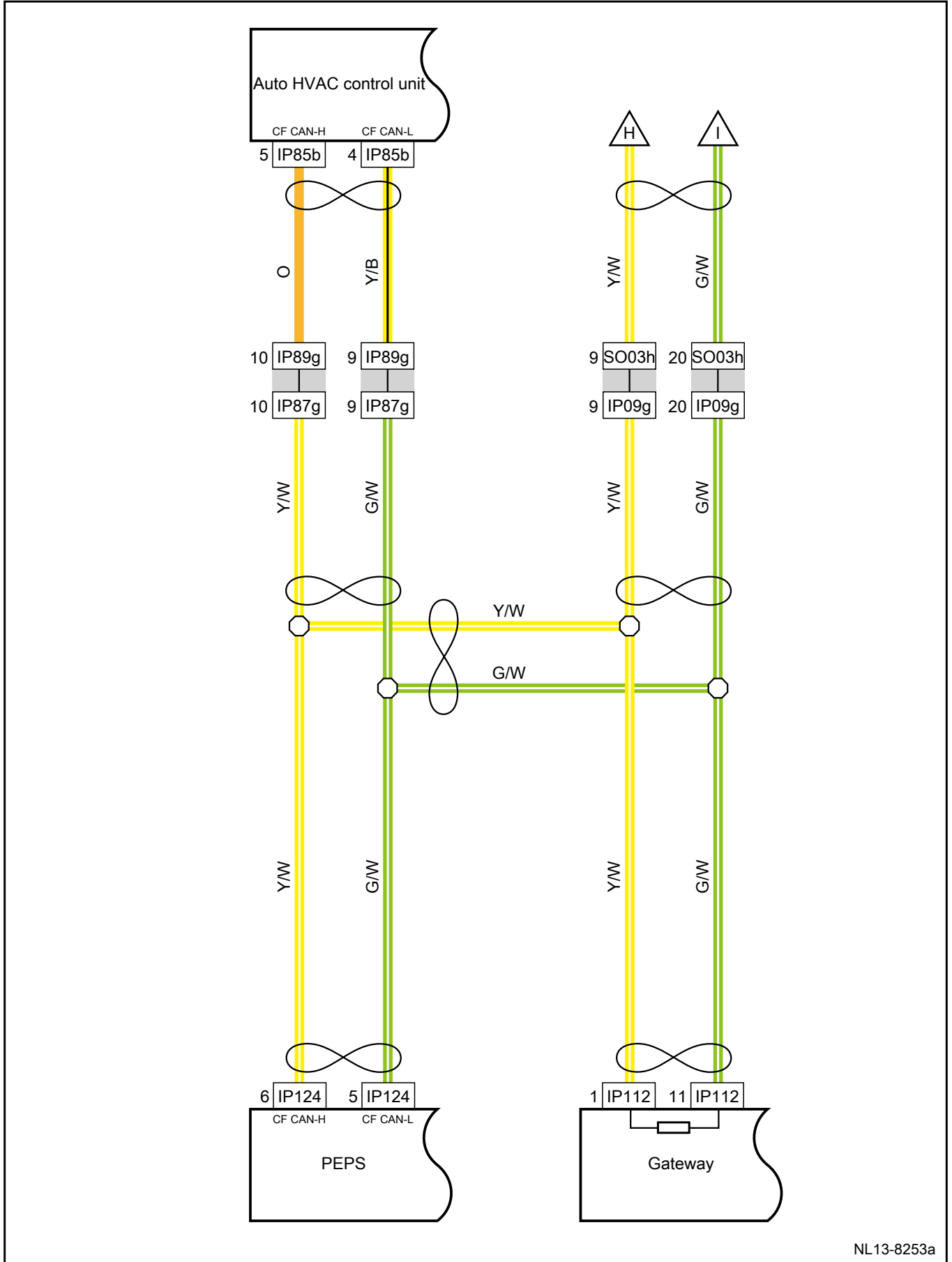
Controller area network 6(CF\_CAN)



Harness connector	Name	Page
IP09g	Instrument panel to floor harness connector 3	80
IP85b	Auto HVAC Control Unit harness connector	83
IP87g	Instrument panel to Auto HVAC harness connector A	79
IP89g	Auto HVAC to instrument panel harness connector A	83
IP103b	JC03 harness connector	79
IP104b	JC04 harness connector	80
IP107a	JC07 harness connector	78
IP108a	JC08 harness connector	78
IP112	Gateway harness connector	78
IP124	Passive entry passive start control module harness connector 1	80
SO03h	Floor to instrument panel harness connector 3	124

Join point	Explanations	Page
F	To controller area network 7(CF_CAN)	600
G	To controller area network 7(CF_CAN)	600

Controller area network 6(CF\_CAN)(Body harness)



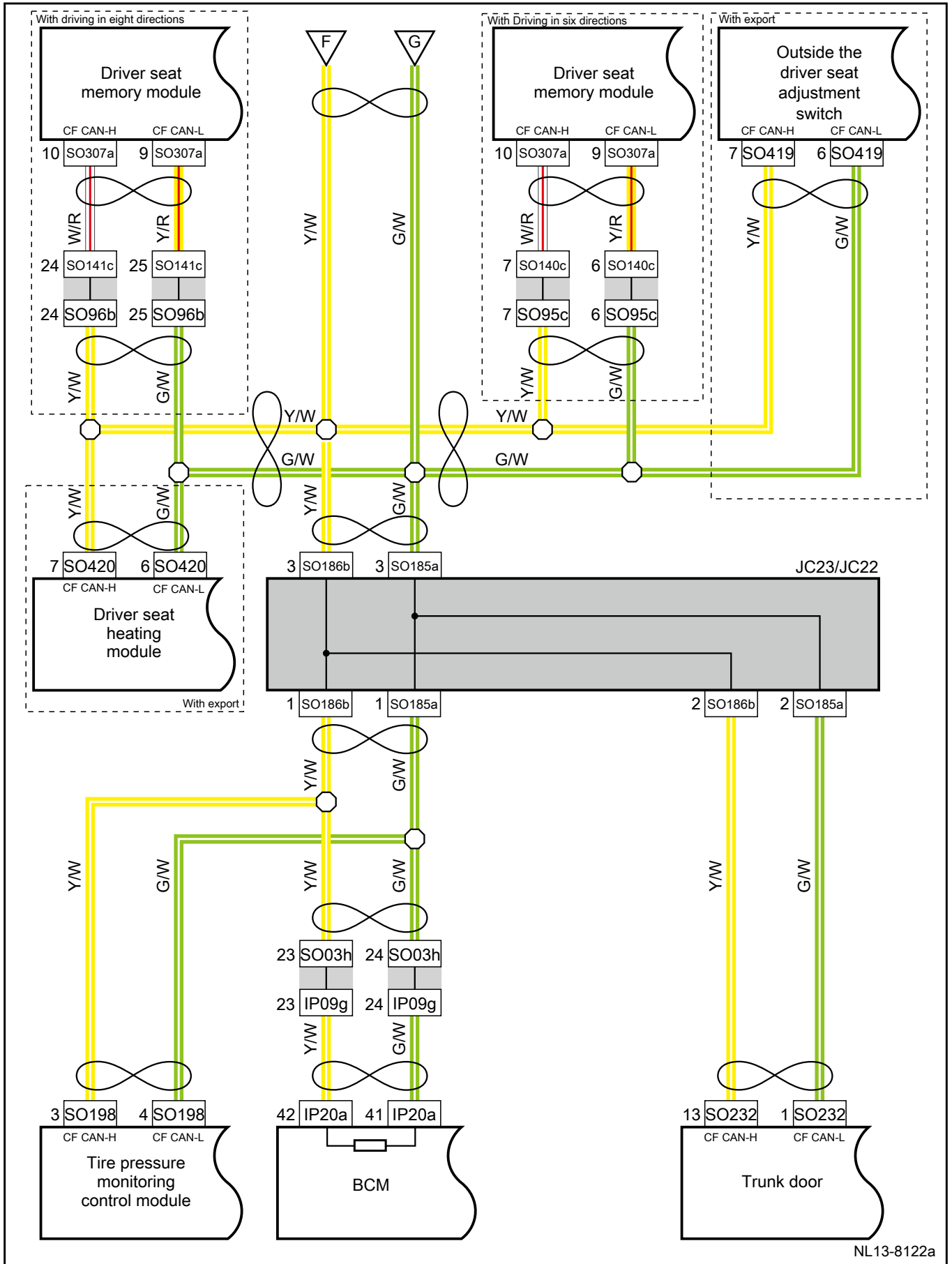
NL13-8253a

---

Harness connector	Name	Page
IP09g	Instrument panel to floor harness connector 3	80
IP85b	Auto HVAC Control Unit harness connector	83
IP87g	Instrument panel to Auto HVAC harness connector A	79
IP89g	Auto HVAC to instrument panel harness connector A	83
IP112	Gateway harness connector	78
IP124	Passive entry passive start control module harness connector 1	80
SO03h	Floor to instrument panel harness connector 3	124

Join point	Explanations	Page
H	To controller area network 7(CF_CAN)(Body harness)	602
I	To controller area network 7(CF_CAN)(Body harness)	602

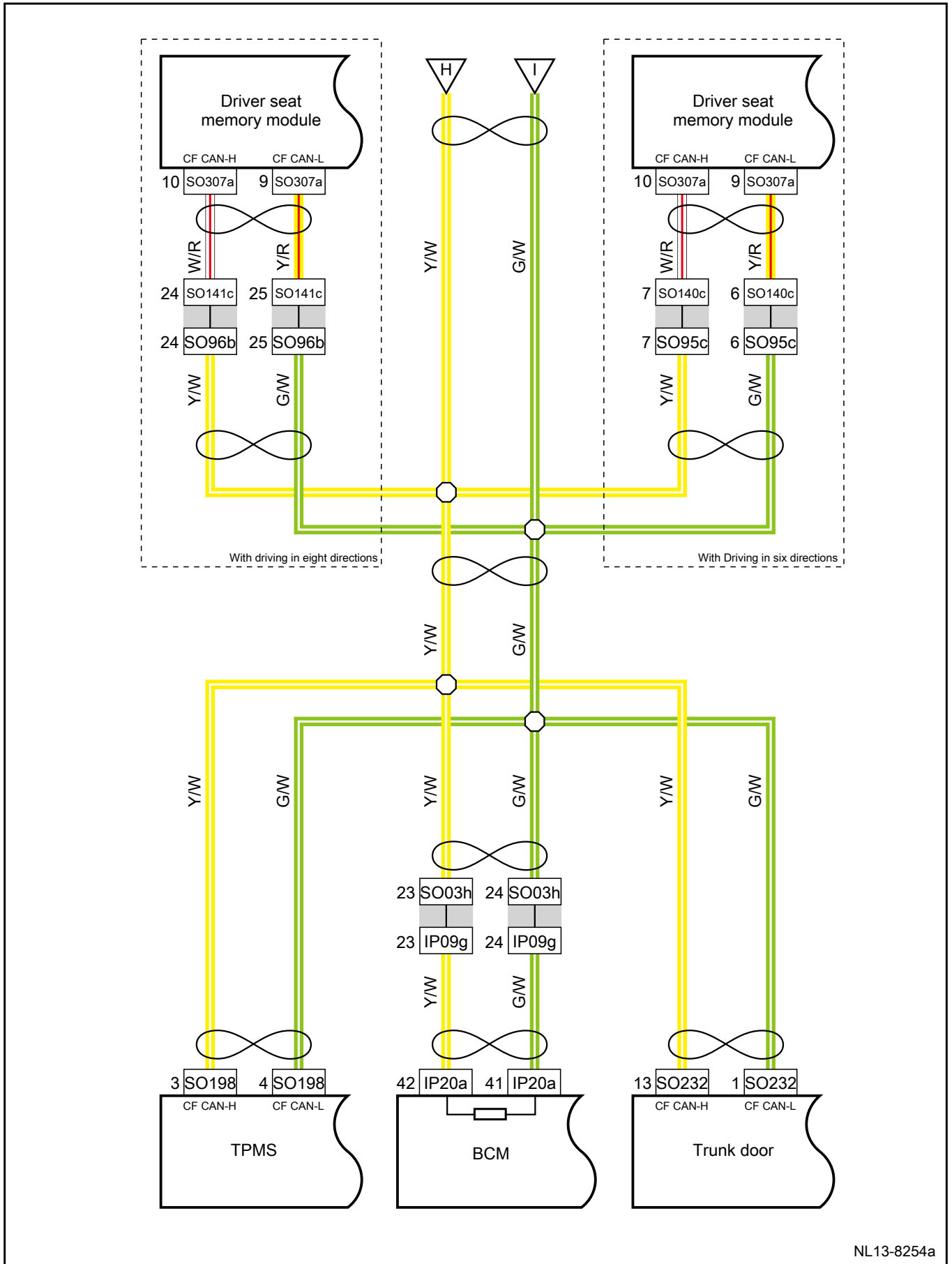
Controller area network 7(CF\_CAN)



Harness connector	Name	Page
IP09g	Instrument panel to floor harness connector 3	80
IP20a	Body control module harness connector 1	78
SO03h	Floor to instrument panel harness connector 3	124
SO95c	Floor to driver seat harness connector 1	123
SO141c	Driver seat to floor harness connector 2	129
SO185a	JC21 harness connector	124
SO186b	JC22 harness connector	124
SO198	Tire pressure monitoring control module harness connector	123
SO232	Trunk door harness connector 1	123
SO307a	Driver seat memory module harness connector 4	129
SO419	Outside the driver seat adjustment switches harness connector	123
SO420	Driver seat heating module harness connector	123

Join point	Explanations	Page
F	To controller area network 6(CF_CAN)	596
G	To controller area network 6(CF_CAN)	596

Controller area network 7(CF\_CAN)(Body harness)

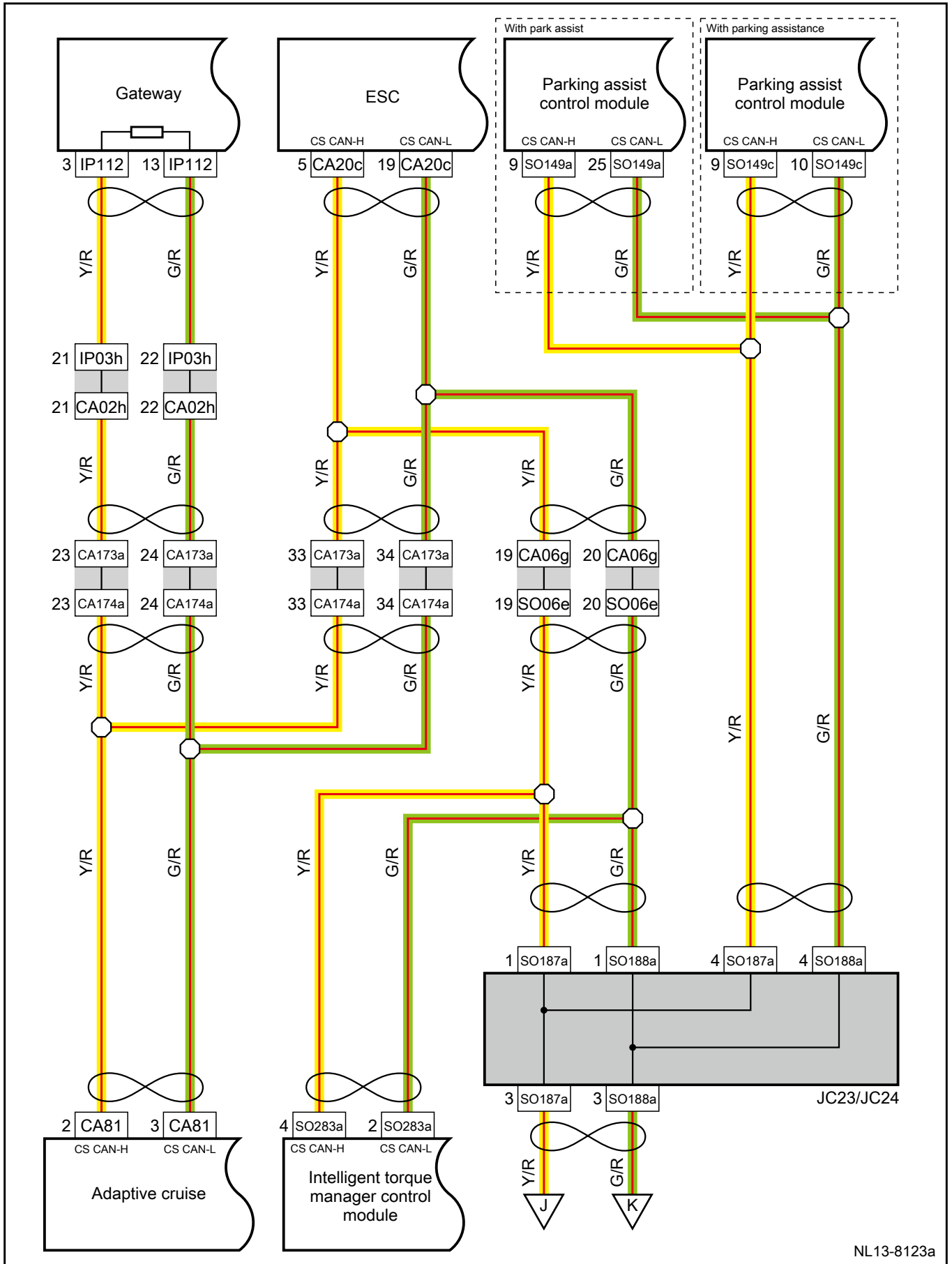


NL13-8254a

Harness connector	Name	Page
IP09g	Instrument panel to floor harness connector 3	80
IP20a	Body control module harness connector 1	78
SO03h	Floor to instrument panel harness connector 3	124
SO95c	Floor to driver seat harness connector 1	123
SO96b	Floor to driver seat harness connector 2	123
SO140c	Driver seat to floor harness connector 1	129
SO141c	Driver seat to floor harness connector 2	129
SO198	Tire pressure monitoring control module harness connector	123
SO232	Trunk door harness connector 1	123
SO307a	Driver seat memory module harness connector 4	129

Join point	Explanations	Page
H	To controller area network 6(CF_CAN)(Body harness)	598
I	To controller area network 6(CF_CAN)(Body harness)	598

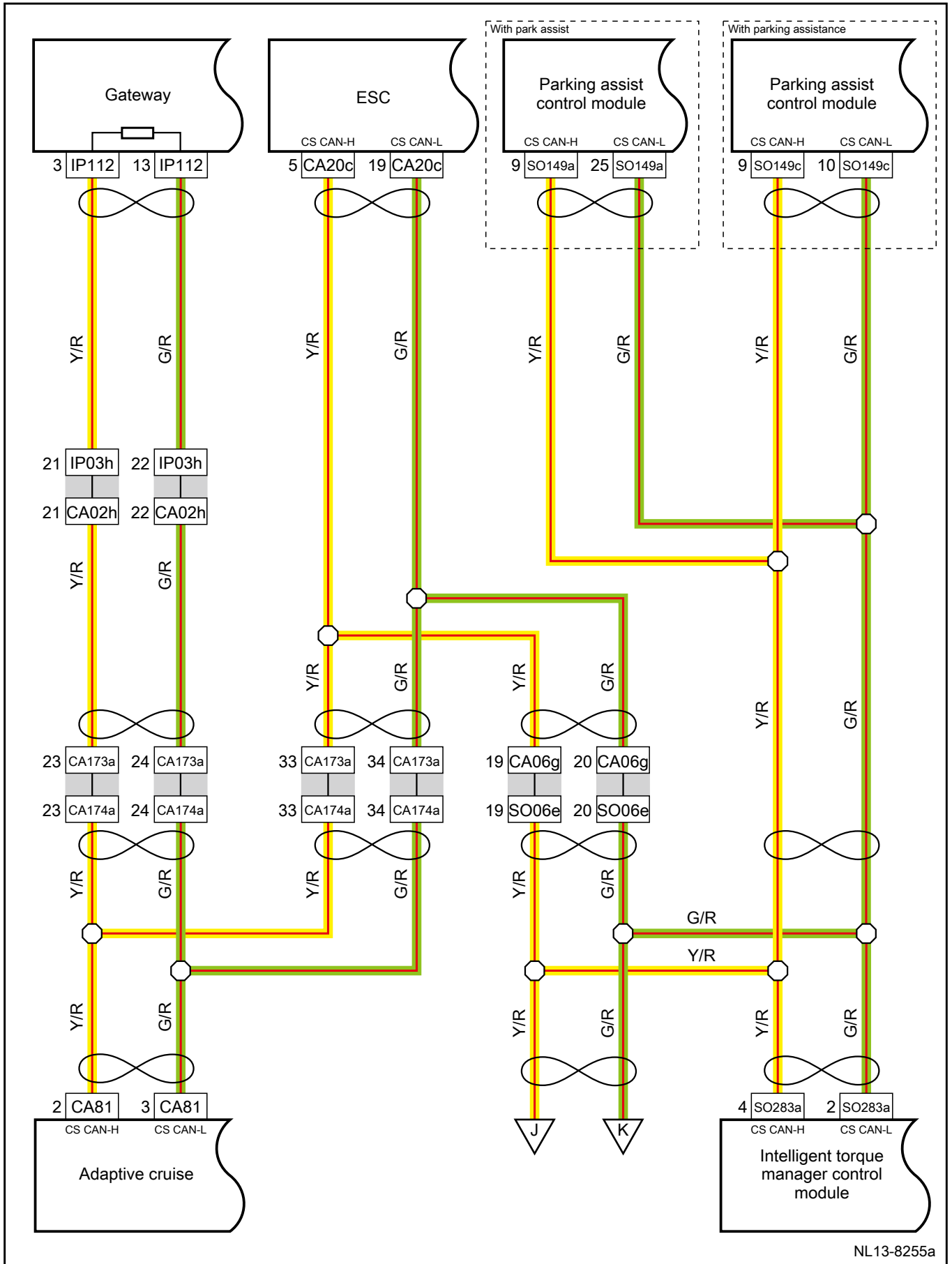
Controller area network 8(CS\_CAN)



Harness connector	Name	Page
CA02h	Engine compartment to instrument panel harness connector 2	30
CA06g	Engine compartment to floor harness connector	30
CA20c	Electronic stability control system harness connector	29
CA81	Adaptive cruise control harness connector	32
CA173a	Engine compartment to front-end module harness connector	29
CA174a	Front-end module to engine compartment harness connector	32
IP03h	Instrument panel to engine compartment harness connector 2	78
IP112	Gateway harness connector	78
SO06e	Floor to engine compartment harness connector	123
SO149a	Parking assist control module harness connector	123
SO149c	Parking assist control module harness connector 1	123
SO187a	JC23 harness connector	123
SO188a	JC24 harness connector	123
SO283a	Intelligent Torque Manager Control Module harness connector	123

Join point	Explanations	Page
J	To controller area network 9(CS_CAN)	608
	To controller area network 10(CS_CAN)	610
K	To controller area network 9(CS_CAN)	608
	To controller area network 10(CS_CAN)	610

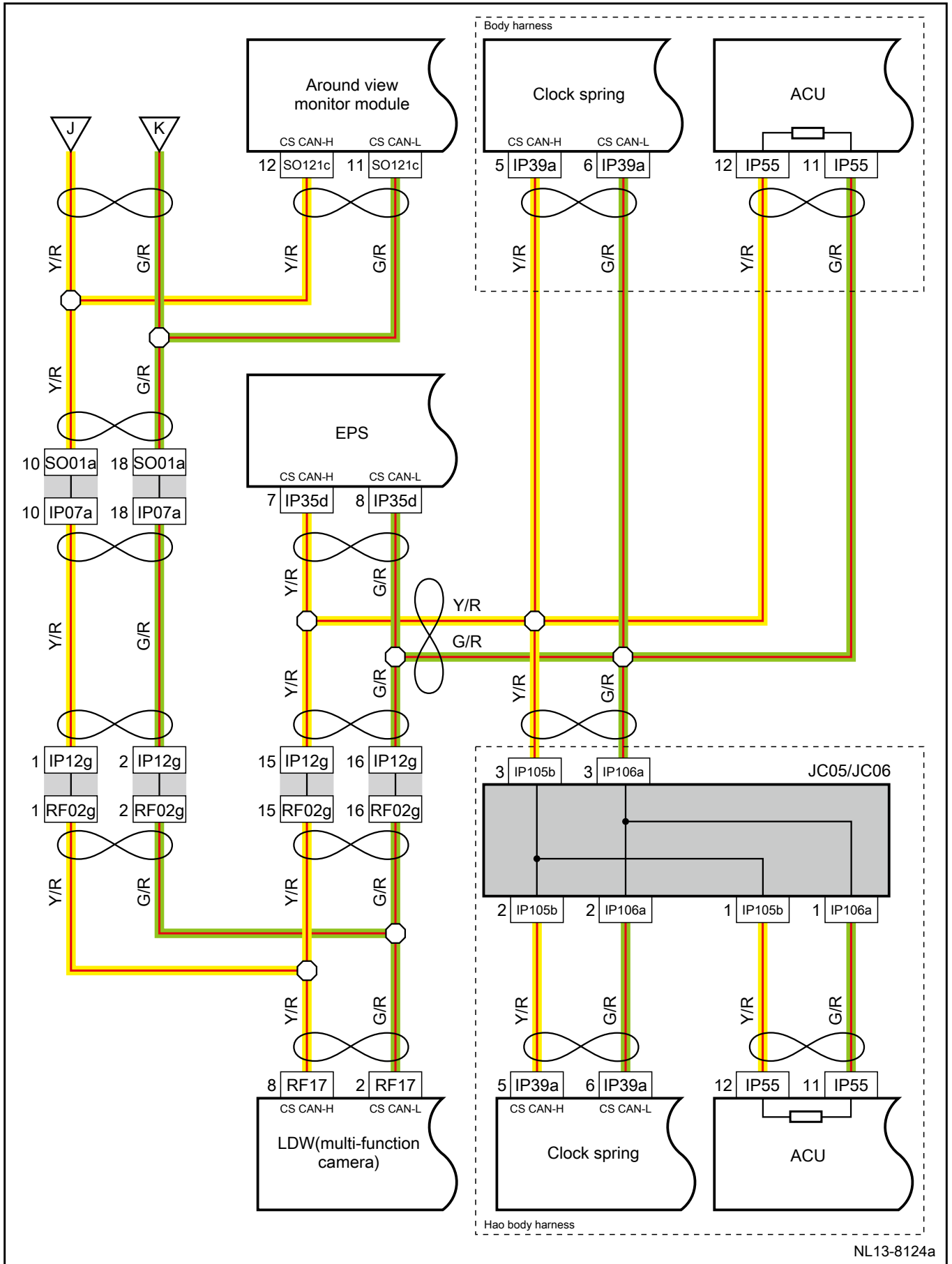
Controller area network 8(CS\_CAN)(Body harness)



Harness connector	Name	Page
CA02h	Engine compartment to instrument panel harness connector 2	30
CA06g	Engine compartment to floor harness connector	30
CA20c	Electronic stability control system harness connector	29
CA81	Adaptive cruise control harness connector	32
CA173a	Engine compartment to front-end module harness connector	29
CA174a	Front-end module to engine compartment harness connector	32
IP03h	Instrument panel to engine compartment harness connector 2	78
IP112	Gateway harness connector	78
SO06e	Floor to engine compartment harness connector	123
SO149a	Parking assist control module harness connector	123
SO149c	Parking assist control module harness connector 1	123
SO283a	Intelligent Torque Manager Control Module harness connector	123

Join point	Explanations	Page
J	To controller area network 9(CS_CAN)	608
	To controller area network 10(CS_CAN)	610
K	To controller area network 9(CS_CAN)	608
	To controller area network 10(CS_CAN)	610

Controller area network 9(CS\_CAN)

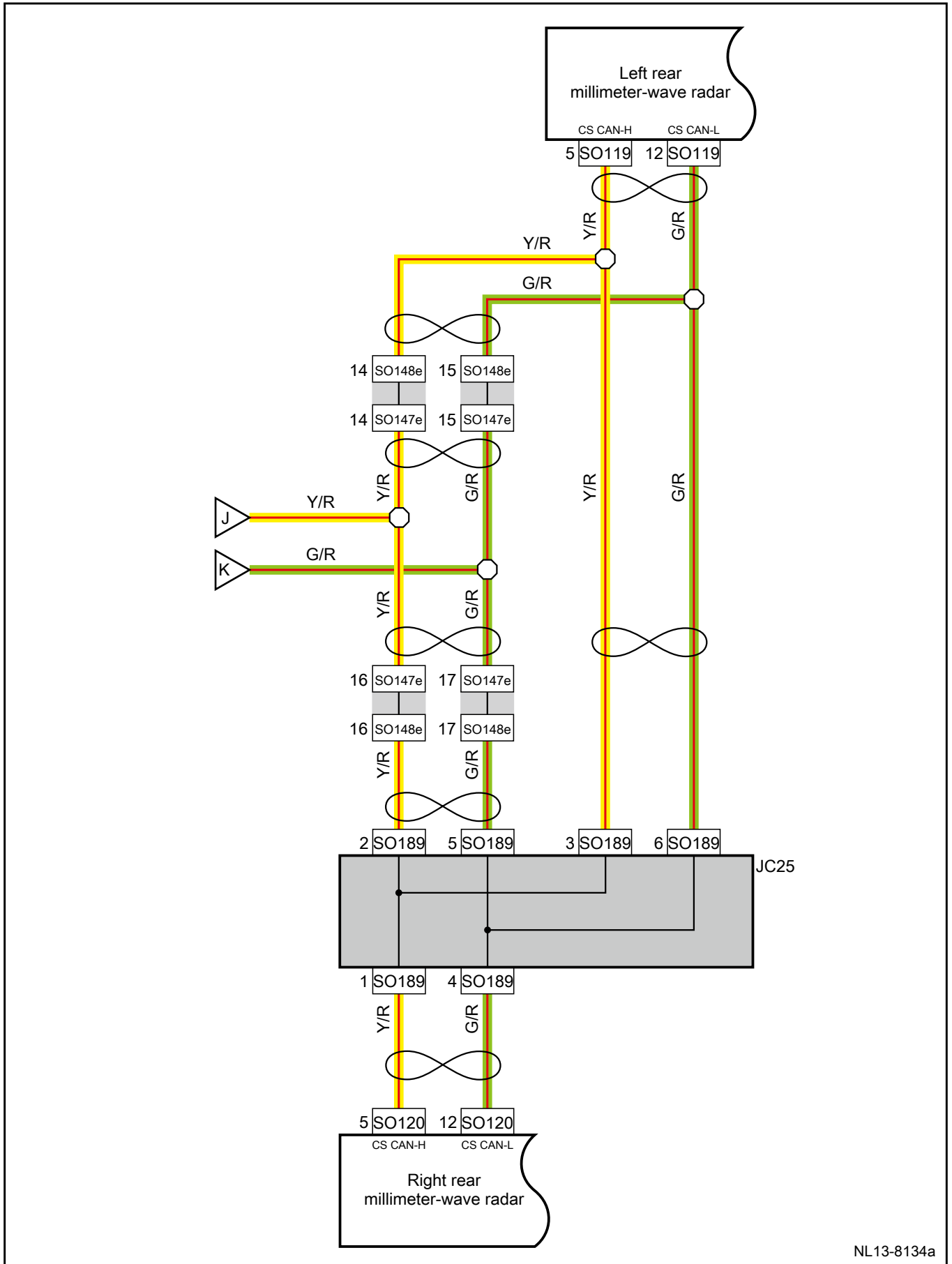


NL13-8124a

Harness connector	Name	Page
IP07a	Instrument panel to floor harness connector 1	78
IP12g	Instrument panel to roof harness connector 2	78
IP35d	Electrical power steering control module harness connector	78
IP39a	Clock spring harness connector A	79
IP55	ACU harness connector B	78
IP105b	JC05 harness connector	80
IP106a	JC06 harness connector	79
RF02g	Roof to instrument panel harness connector 2	117
RF17	LDW(multi-function camera) harness connector	117
SO01a	Floor to instrument panel harness connector 1	123
SO121c	Around view monitor module harness connector 1	124

Join point	Explanations	Page
J	To controller area network 8(CS_CAN)	604
	To controller area network 8(CS_CAN)(Body harness)	606
K	To controller area network 8(CS_CAN)	604
	To controller area network 8(CS_CAN)(Body harness)	606

Controller area network 10(CS\_CAN)



NL13-8134a

---

Harness connector	Name	Page
SO119	Left rear millimeter-wave radar harness connector	127
SO120	Right rear millimeter-wave radar harness connector	127
SO147e	Floor to rear harness connector	124
SO148e	Rear to floor harness connector	127
SO189	JC25 harness connector	127

Join point	Explanations	Page
J	To controller area network 8(CS_CAN)	604
	To controller area network 8(CS_CAN)(Body harness)	606
K	To controller area network 8(CS_CAN)	604
	To controller area network 8(CS_CAN)(Body harness)	606

## Abbreviation

Abbreviation	Description
ABS	Anti-lock Brake System
ACU	Airbag Control Unit
A/C	Air Condition
ALT	Alternator
AVM	All View Module
BCM	Body Control Module
BMS	Battery Management System
BSG	Belt-Driven Starter Generator
CAN	Controller Area Network
ECM	Engine Control Module
E-CALL	Emergency Call
ESC	Electronic Stability Program
ESCL	Electrical Steering Column Lock
EPB	Electrical Park Brake
EPS	Electrical Power Steering
HCO	High Voltage Cooling System
HCU	Hybrid Control Unit
HUD	Head Up Display
IMMO	Immobilizer
IPK	Instrument Panel Combination
LDW	Lane Departure Warning
DLC	Data Link Control
PEPS	Passive Entry Passive Start
PEU	Power Electronic Unit
PTC	Positive Temperature Coefficient
PTG	Power Tail Gate
SRS	Supplemental Restraint System
4WD	4 Wheel Drive
TCU	Transmission Control Unit
TPMS	Tire Pressure Monitoring System
T-BOX	Telematics BOX
VCU	Vehicle Control Unit

*AutoLibrary*

*AutoLibrary*