

Engine Electrical System

GENERAL

IGNITION SYSTEM

CHARGING SYSTEM

ALTERNATOR
BATTERY

STARTING SYSTEM

STARTER
STARTER RELAY

CRUISE CONTROL SYSTEM

CRUISE CONTROL MAIN SWITCH

GENERAL

SPECIFICATION EA14A9D5

IGNITION SYSTEM

Items		Specification	
Ignition coil	Primary resistance	0.62 ± 10 % (Ω)	
	Secondary resistance	7.0 ± 15 % (kΩ)	
Spark plugs	Leaded	NGK	BKR5ES
		CHAMPION	RC10YC
		Gap	0.8 ~ 0.9 mm (0.0315 ~ 0.0354 in.)
	Unleaded	NGK	BKR5ES-11
		CHAMPION	RC10YC4
		Gap	1.0 ~ 1.1 mm (0.0394 ~ 0.0433 in.)

STARTING SYSTEM

Items		Specification	
Starter	Rated voltage	12 V, 1.2 kW	
	No. of pinion teeth	8	
	No-load characteristics	Voltage	11.5 V
		Ampere	90A, MAX
		Speed	2,600 rpm, MIN

CHARGING SYSTEM

Items		Specification
Alternator	Type	Battery voltage sensing
	Rate voltage	13.5 V, 110A
	Speed in use	1,000 ~ 18,000 rpm
	Voltage regulator	Electronic built-in type
	Regulator setting voltage	14.55 ± 0.2 V
	Temperature compensation	-3.5 ± 1 mV / °C
Battery	Type	MF 68AH
	Cold cranking amperage [at -18°C(-0.4°F)]	600 A
	Reserve capacity	110 min
	Specific gravity [at 20°C(68°F)]	1.280 ± 0.01

 **NOTE**

- *COLD CRANKING AMPERAGE is the amperage a battery can deliver for 30 seconds and maintain a terminal voltage of 7.2V or greater at a specified temperature.*

- *RESERVE CAPACITY RATING is amount of time a battery can deliver 25A and maintain a minimum terminal voltage of 10.5V at 26.7°C(80.1°F).*

AUTO CRUISE CONTROL SYSTEM

Items	Specification
Setting error	Within ± 1.5Km/h on level road
Vehicle speed memory variation	No variation
Setting time	0.1sec max
Resuming time	0.1sec max.
Minimum operating speed	40 ± 2Km/h
Cancel speed range	15 ± 2Km/h
Maximum memorized speed	160 ± 2Km/h
Pulling force	127N(13Kgf)
Main switch serial resistance value	3.9kΩ ± 1%
Command switch serial resistance value	SET switch : 220Ω ± 1%
	RESUME switch : 910Ω ± 1%

TROUBLE SHOOTING

EFA63C2C

IGNITION SYSTEM

Symptom	Suspect area	Remedy
Engine will not start or is hard to start (Crank OK)	Ignition lock switch Ignition coil Spark plugs Ignition wiring disconnected or broken	Inspect ignition lock switch, or replace as required Inspect ignition coil, or replace as required Inspect spark plugs, or replace as required Repair wiring, or replace as required
Rough idle or stalls	Ignition wiring Ignition coil	Repair wiring, or replace as required Inspect ignition coil, or replace as required
Engine hesitates/poor acceleration	Spark plugs and spark plug cables Ignition wiring	Inspect spark plugs / cable, or replace as required Repair wiring, or replace as required
Poor mileage	Spark plugs and spark plug cables	Inspect spark plugs / cable, or replace as required

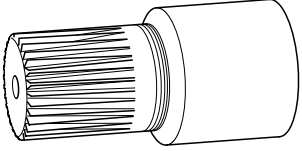
CHARGING SYSTEM

Symptom	Suspect area	Remedy
Charging warning indicator does not light with ignition switch "ON" and engine off.	Fuse blown Light burned out Wiring connection loose Electronic voltage regulator	Check fuses Replace light Tighten loose connection Replace voltage regulator
Charging warning indicator does not go out with engine running. (Battery requires frequent recharging)	Drive belt loose or worn Battery cable loose, corroded or worn Electronic voltage regulator or alternator Wiring	Adjust belt tension or replace belt Inspect cable connection, repair or replace cable Replace voltage regulator or alternator Repair or replace wiring
Overcharge	Electronic voltage regulator Voltage sensing wire	Replace voltage regulator Repair or replace wiring
Discharge	Drive belt loose or worn Wiring connection loose or short circuit Electronic voltage regulator or alternator Poor grounding Worn battery	Adjust belt tension or replace belt Inspect wiring connection, repair or replace wiring Replace voltage regulator or alternator Inspect ground or repair Replace battery

STARTING SYSTEM

Symptom	Suspect area	Remedy
Engine will not crank	Battery charge low Battery cables loose, corroded or worn out Transaxle range switch (Vehicle with automatic transaxle only) Fuse blown Starter motor faulty Ignition switch faulty	Charge or replace battery Repair or replace cables Refer to TR group-automatic transaxle Replace fuse Replace Replace
Engine cranks slowly	Battery charge low Battery cables loose, corroded or worn out Starter motor faulty	Charge or replace battery Repair or replace cables Replace
Starter keeps running	Starter motor Ignition switch	Replace Replace
Starter spins but engine will not crank	Short in wiring Pinion gear teeth broken or starter motor Ring gear teeth broken	Repair wiring Replace Replace fly wheel or torque converter

SPECIAL SERVICE TOOL ECC7A874

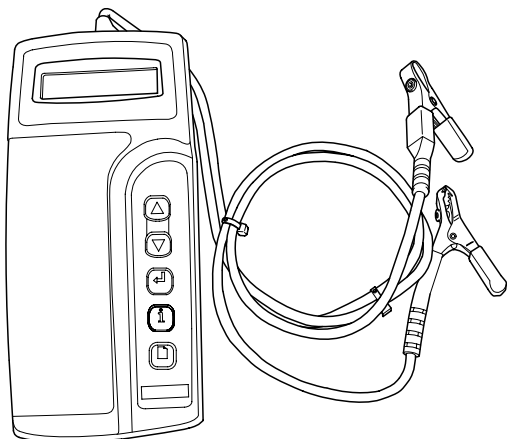
Tool (Number and name)	Illustration	Use
Alternator pulley remover wrench	 <p>EBDD700A</p>	Removal and installation of alternator pulley

THE MICRO 570 ANALYZER E427CDBF

The MICRO 570 Analyzer provides the ability to test the charging and starting systems, including the battery, starter and alternator.

CAUTION

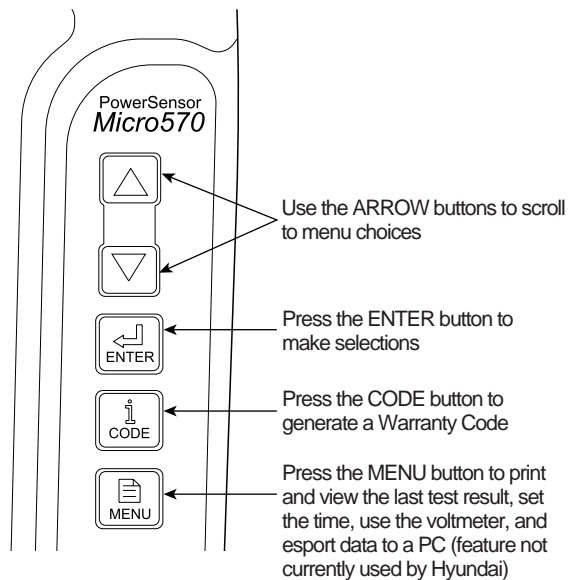
Because of the possibility of personal injury, always use extreme caution and appropriate eye protection when working with batteries.



EBRF004A

KEYPAD

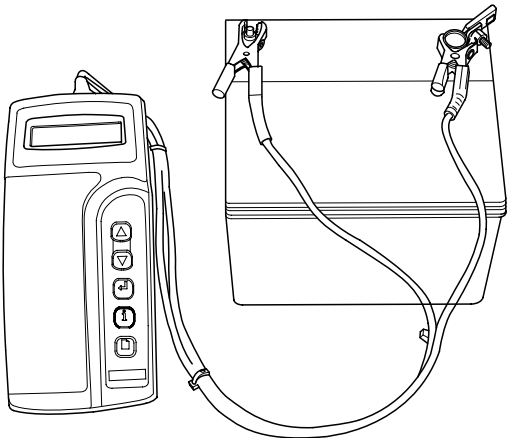
The MICRO570 button on the key pad provide the following functions :



EBRF005A

BATTERY TEST PROCEDURE

1. Connect the tester to the battery.
 - Red clamp to battery positive (+) terminal.
 - Black clamp to battery negative (-) terminal.

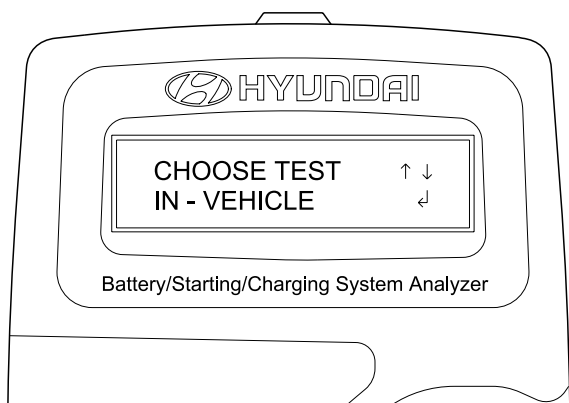


EBRF006A

CAUTION

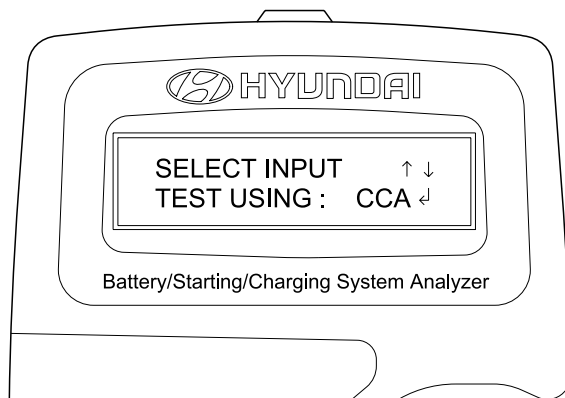
Connect clamps securely. If "CHECK CONNECTION" message is displayed on the screen, reconnect clamps securely.

2. The tester will ask if the battery is connected "IN A VEHICLE" or "OUT OF A VEHICLE". Make your selection by pressing the arrow buttons; then press ENTER.



EBRF007A

3. Choose either CCA or CCP and press the ENTER button.

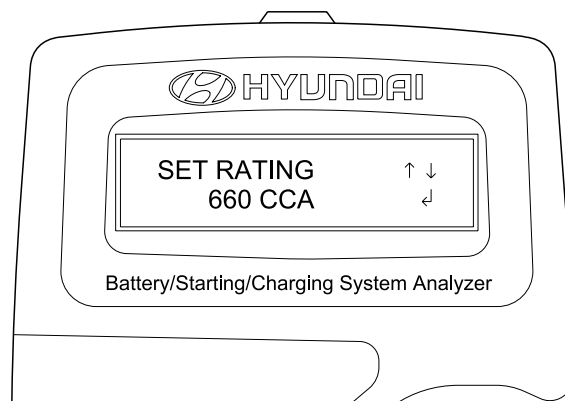


EBRF008A

NOTE

- CCA : Cold cranking amps, is an SAE specification for cranking batteries at 0°F (-18°C).
- CCP : Cold cranking amps, is an SAE specification for Korean manufacturer's for cranking batteries at 0°F (-18°C).

4. Set the CCA value displayed on the screen to the CCA value marked on the battery label by pressing up and down buttons and press ENTER.



EBRF009A

NOTE

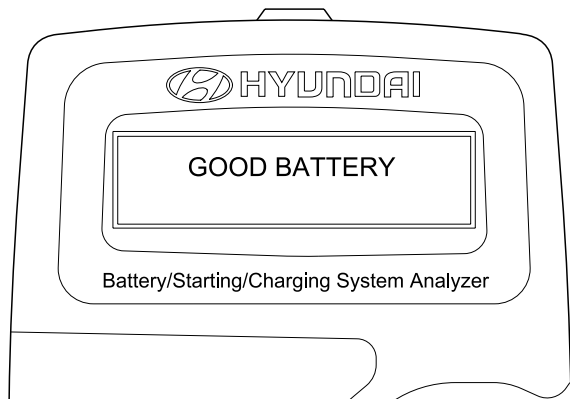
The battery ratings(CCA) displayed on the tester must be identical to the ratings marked on battery label.

5. The tester (Micro570) displays battery test results including voltage and battery ratings. A relevant action must be given according to the test results by referring to the battery test results as shown in the table below.

 **NOTE**

The battery ratings (CCA) displayed on the tester must be identical to the ratings marked on battery label.

6. To conduct starter test, continuously, press ENTER.



EBRF010A

BATTERY TEST RESULTS

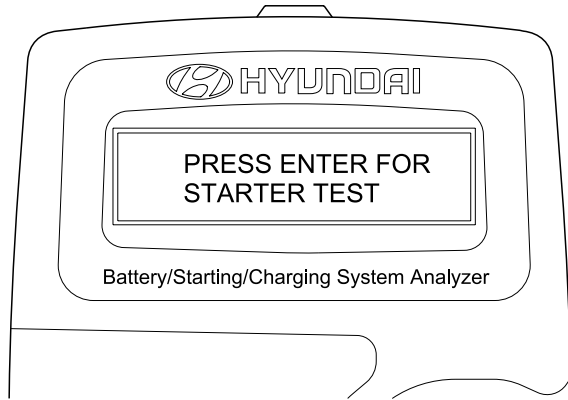
RESULT ON PRINTER	REMEDY
Good battery	No action is required
Good recharge	Battery is in a good state Recharge the battery and use
Charge & Retest	Battery is not charged properly => Charge and test the battery again (Failure to charge the battery fully may read incorrect measurement value)
Replace battery	=> Replace battery and recheck the charging system. (Improper connection between battery and vehicle cables may cause "REPLACE BATTERY", retest the battery after removing cables and connecting the tester to the battery terminal directly prior to replacing the battery)
Bad cell-replace	=> Charge and retest the battery. And than, test results may cause "REPLACE BATTERY", replace battery and recheck the charging system

 **WARNING**

Whenever filing a claim for battery, the print out of the battery test results must be attached.

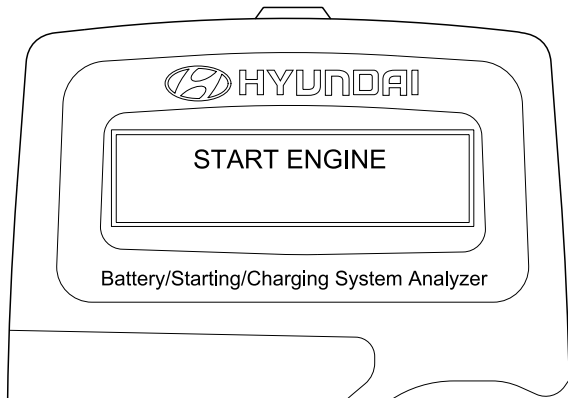
STARTER TEST PROCEDURE

1. After the battery test, press ENTER immediately for the starter test.



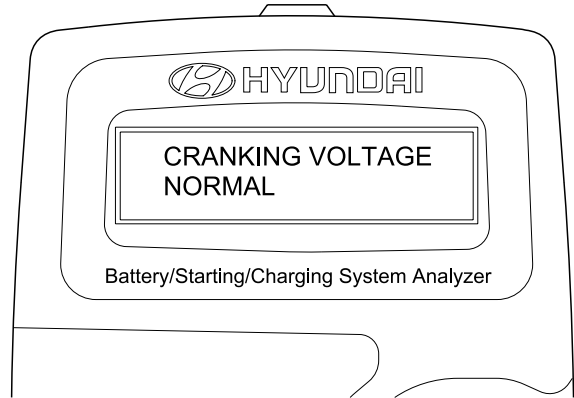
EBRF011A

2. After pressing ENTER key, start the engine.



EBRF012A

3. Cranking voltage and starter test results will be displayed on the screen.
Take a relevant action according to the test results by referring to the starter test results as given below.



EBRF013A

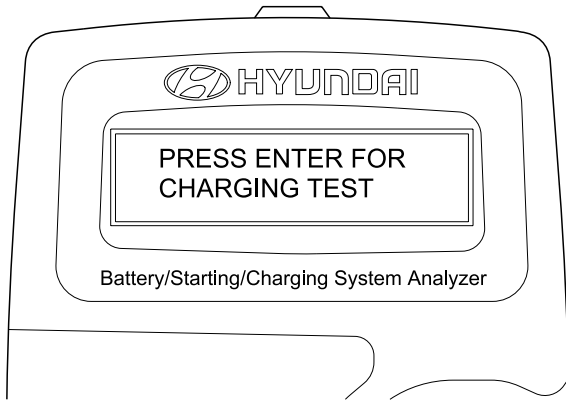
4. To continue charging system test, press ENTER.

STARTER TEST RESULTS

RESULT ON PRINTER	REMEDY
Cranking voltage normal	System shows a normal starter draw
Cranking voltage low	Cranking voltage is lower than normal level => Check starter
Charge battery	The state of battery charge is too low to test => Charge the battery and retest
Replace battery	=> Replace battery => If the vehicle is not started though the battery condition of "Good and fully charged" is displayed. => Check wiring for open circuit, battery cable connection, starter and repair or replace as necessary. => If the engine does crank, check fuel system.

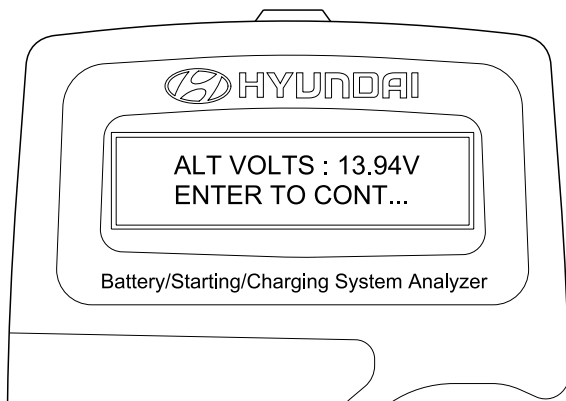
CHARGING SYSTEM TEST PROCEDURE

1. Press ENTER to begin charging system test.



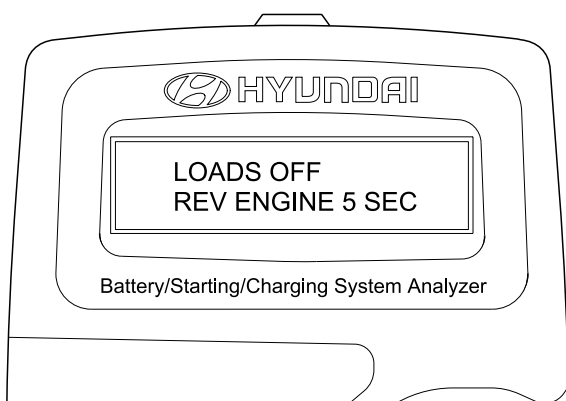
EBRF014A

2. ENTER button is pressed, the tester displays the actual voltage of alternator. Press ENTER to test the charging system.



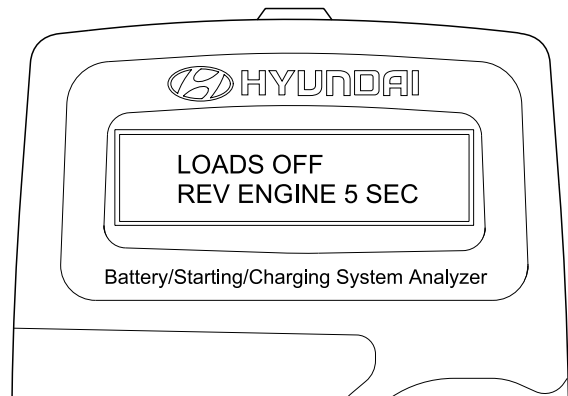
EBRF015A

3. Turn off all electrical load and rev engine for 5 seconds with pressing the accelerator pedal.



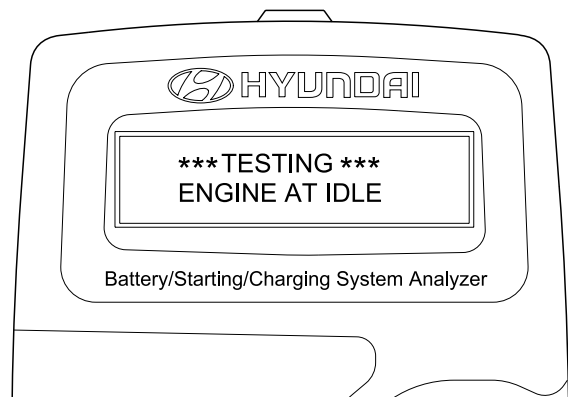
EBRF016A

4. Press ENTER.



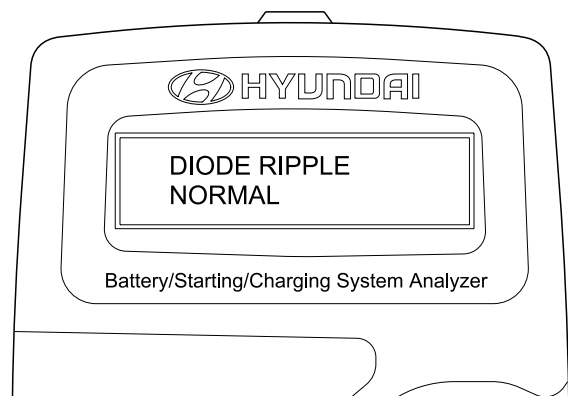
EBRF017A

5. The MICRO 570 analyzer charging system output at idle for comparison to other readings.



EBRF018A

6. Take a relevant action according to the test results by referring to the table below after shutting off the engine and disconnect the tester clamps from the battery.



EBRF019A

CHARGING SYSTEM TEST RESULTS

RESULT ON PRINTER	REMEDY
Charging system normal/Diode ripple normal	Charging system is normal
No charging voltage	Alternator does not supply charging current to battery => Check belts, connection between alternator and battery Replace belts or cable or alternator as necessary
Low charging voltage	Alternator does not supply charging current to battery and electrical load to system fully => Check belts and alternator and replace as necessary
High charging voltage	The voltage from alternator to battery is higher than normal limit during voltage regulating. => Check connection and ground and replace regulator as necessary => Check electrolyte level in the battery
Excess ripple detected	One or more diodes in the alternator is not functioning properly => Check alternator mounting and belts and replace as necessary

IGNITION SYSTEM

DESCRIPTION E28927EF

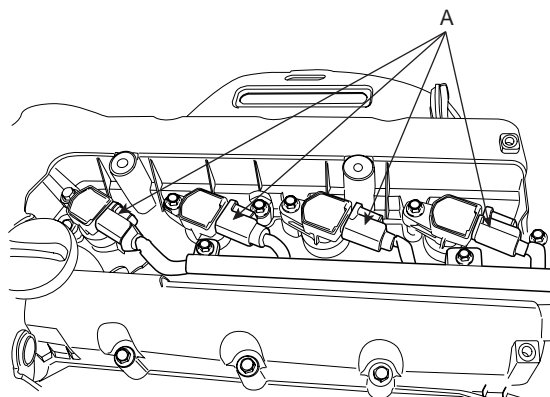
Ignition timing is controlled by the electronic control ignition timing system. The standard reference ignition timing data for the engine operating conditions are preprogrammed in the memory of the ECM (Engine Control Module).

The engine operating conditions (speed, load, warm-up condition, etc.) are detected by the various sensors. Based on these sensor signals and the ignition timing data, signals to interrupt the primary current are sent to the ECM. The ignition coil is activated, and timing is controlled.

ON-VEHICLE INSPECTION EB0BB3A7

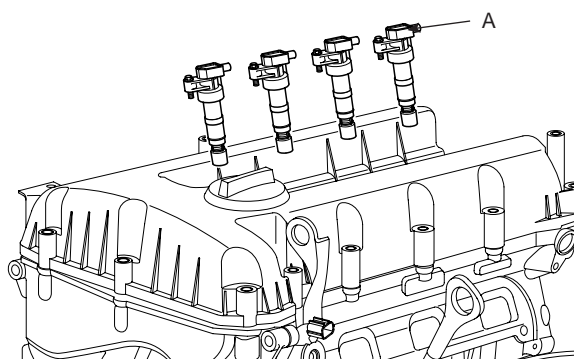
SPARK TEST

1. Remove the ignition coil connector(A).



KCRF131A

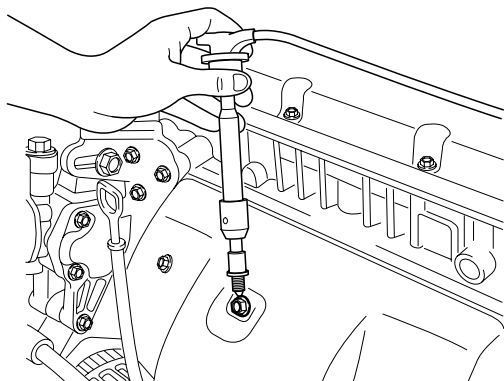
2. Remove the ignition coil(A).



KCRF111A

3. Using a spark plug socket, remove the spark plug.
4. Install the spark plug to the ignition coil.

5. Ground the spark plug to the engine.



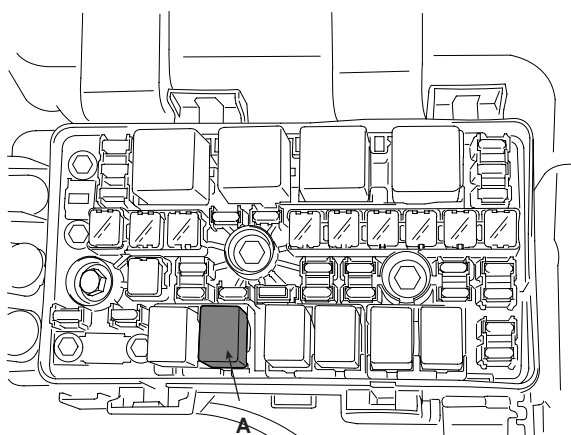
ABGE001A

6. Check if spark occurs while engine is being cranked.

NOTE

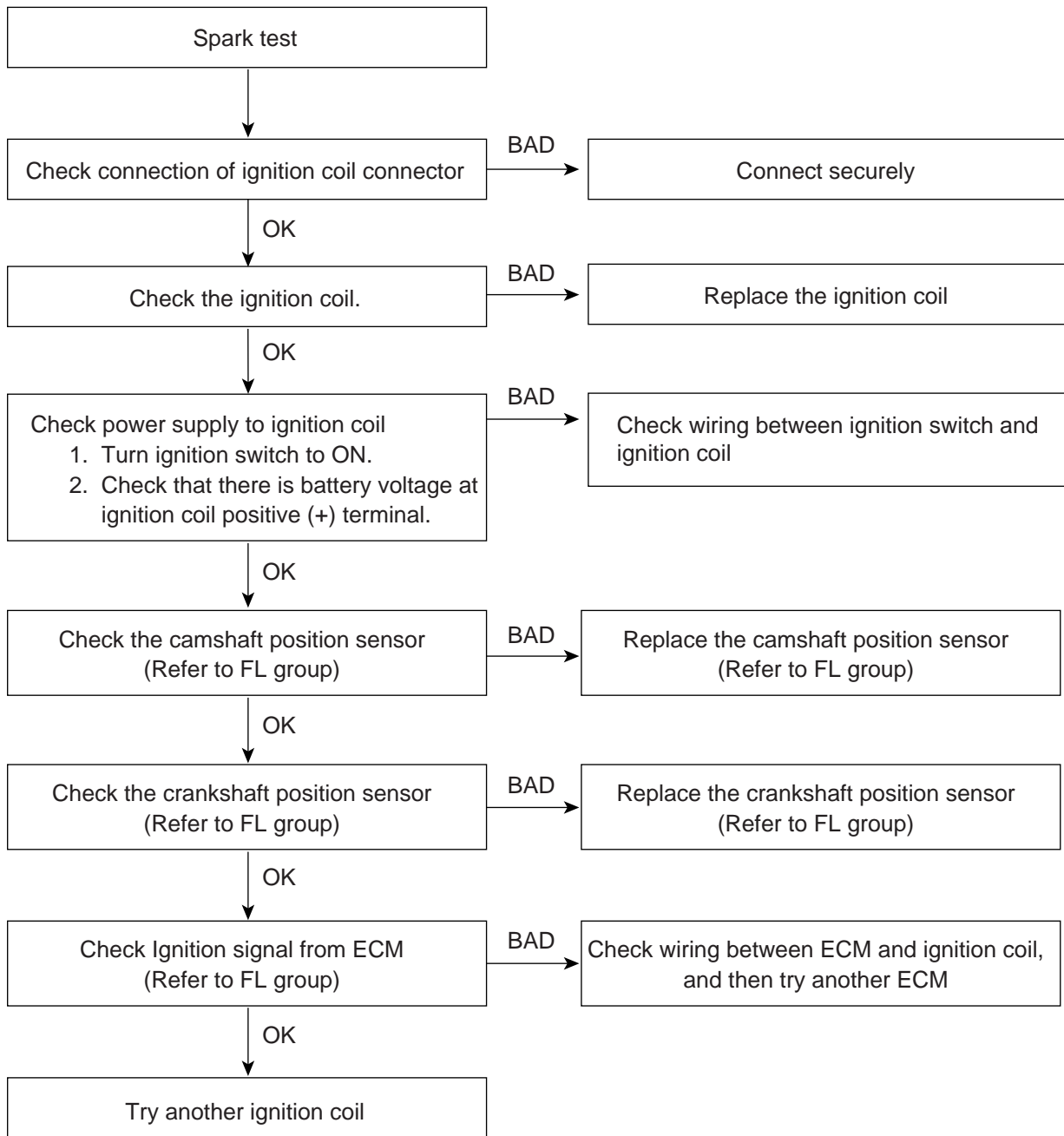
To prevent fuel being injected from injectors while the engine is being cranked, remove the fuel pump(A) relay from the fuse box.

Crank the engine for no more than 5 ~ 10 seconds.



KBRF013A

7. Inspect all the spark plugs.
8. Using a spark plug socket, install the spark plug.
9. Install the ignition coil.
10. Reconnect the ignition coil connector.

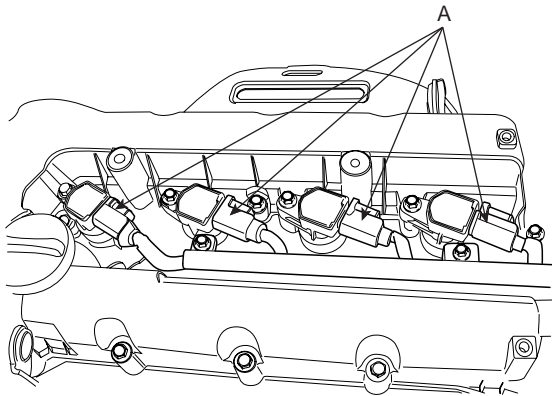


EBRF001A

IGNITION SYSTEM

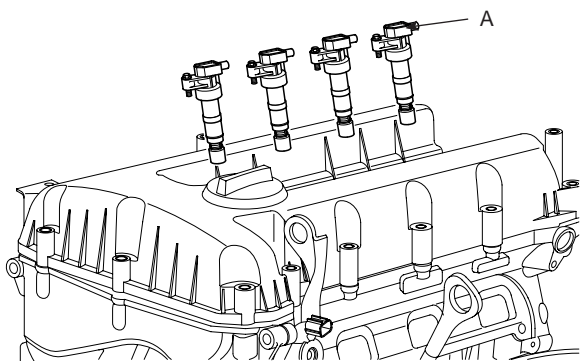
INSPECT SPARK PLUG

1. Remove the ignition coil connector(A).



KCRF131A

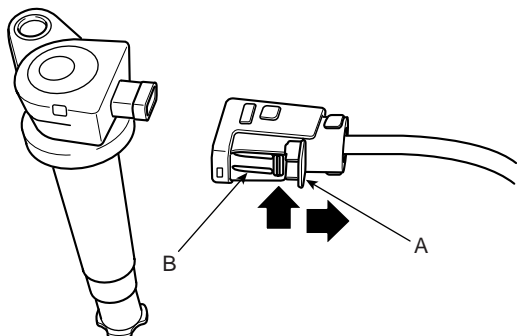
2. Remove the ignition coil(A).



KCRF111A

NOTE

When removing the ignition coil connector, pull the lock pin(A) and push the clip(B).



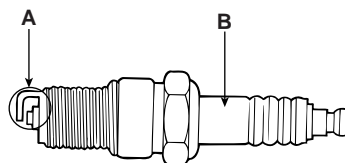
ABGE003A

3. Using a spark plug socket, remove the spark plug.

CAUTION

Be careful that no contaminants enter through the spark plug holes.

4. Inspect the electrodes (A) and ceramic insulator (B).



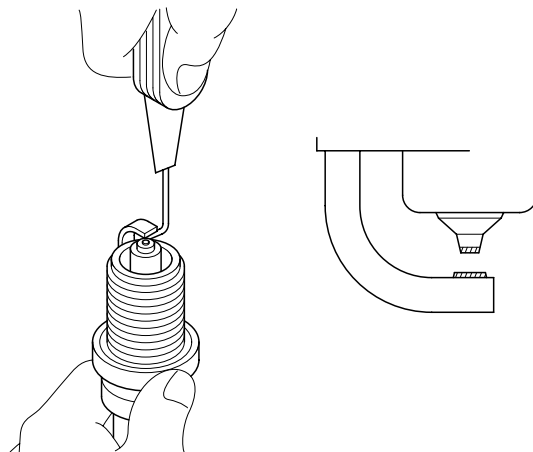
EBKD002K

INSPECTION OF ELECTRODES

Condition	Dark deposits	White deposits
Description	<ul style="list-style-type: none"> - Fuel mixture too rich - Low air intake 	<ul style="list-style-type: none"> - Fuel mixture too lean - Advanced ignition timing - Insufficient plug tightening torque

5. Check the electrode gap (A).

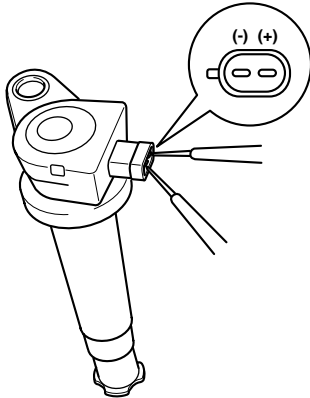
Standard :
 Unleaded : 1.0 ~ 1.1 mm (0.0394 ~ 0.0433 in.)
 Leaded : 0.8 ~ 0.9 mm (0.0315 ~ 0.0354 in.)



EBKE002L

INSPECT IGNITION COIL

1. Measure the primary coil resistance between terminals (+) and (-).



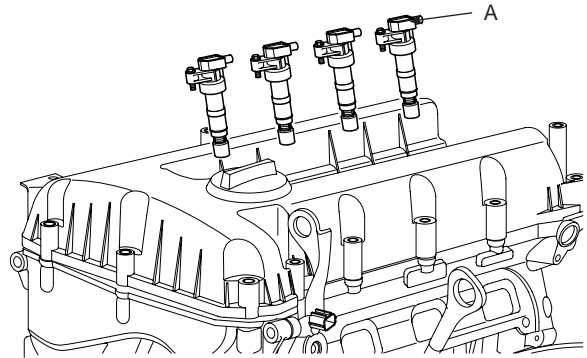
ABGE004A

Standard value: 0.62 ± 10%

REMOVAL E5CED4D1

IGNITION COIL

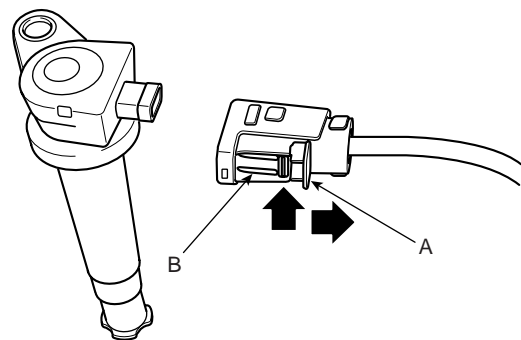
1. Remove the engine cover.
2. Remove the ignition coil (A).



KCRF111A

NOTE

When removing the ignition coil connector, pull the lock pin(A) and push the clip(B).



ABGE003A

3. Installation is the reverse of removal.

CHARGING SYSTEM

DESCRIPTION ECC3DBD3

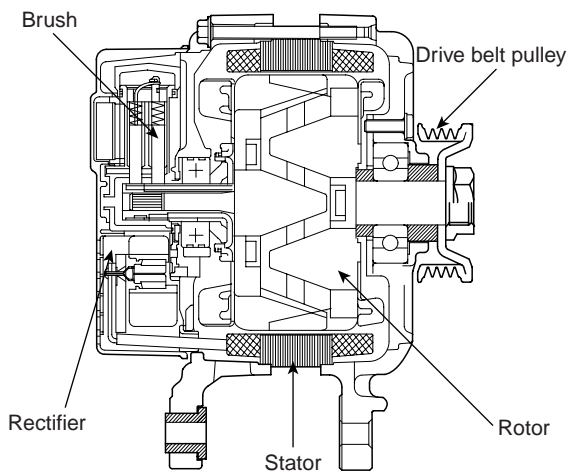
The charging system included a battery, an alternator with a built-in regulator, and the charging indicator light and wire.

The Alternator has built-in diodes, each rectifying AC current to DC current.

Therefore, DC current appears at alternator "B" terminal.

In addition, the charging voltage of this alternator is regulated by the battery voltage detection system.

The alternator is regulated by the battery voltage detection system. The main components of the alternator are the rotor, stator, rectifier, capacitor brushes, bearings and V-ribbed belt pulley. The brush holder contains a built-in electronic voltage regulator.



EBKD004A

ON-VEHICLE INSPECTION E87FA4FF

 CAUTION

- Check that the battery cables are connected to the correct terminals.
- Disconnect the battery cables when the battery is given a quick charge.
- Never disconnect the battery while the engine is running.

CHECK BATTERY VOLTAGE

1. If 20 minutes have not passed since the engine was stopped, turn the ignition switch ON and turn on the electrical system (headlamp, blower motor, rear defogger etc.) for 60 seconds to remove the surface charge.
2. Turn the ignition switch OFF and turn off the electrical systems.
3. Measure the battery voltage between the negative (-) and positive (+) terminals of the battery.

Standard voltage : 12.5 ~ 12.9V at 20°C(68°F)

If the voltage is less than specification, charge the battery.

CHECK THE BATTERY TERMINALS AND FUSES

1. Check that the battery terminals are not loose or corroded.
2. Check the fuses for continuity.

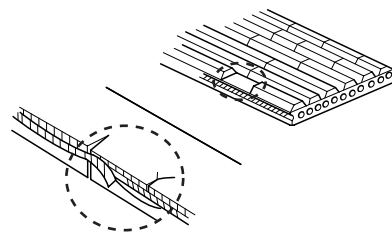
INSPECT DRIVE BELT

Visually check the belt for excessive wear, frayed cords etc.

If any defect has been found, replace the drive belt.

 NOTE

Cracks on the rib side of a belt are considered acceptable. If the belt has chunks missing from the ribs, it should be replaced.



EBKD004B

VISUALLY CHECK ALTERNATOR WIRING AND LISTEN FOR ABNORMAL NOISES

1. Check that the wiring is in good condition.
2. Check that there is no abnormal noise from the alternator while the engine is running.

CHECK DISCHARGE WARNING LIGHT CIRCUIT

1. Warm up the engine and then turn it off.
2. Turn off all accessories.
3. Turn the ignition switch "ON". Check that the discharge warning light is lit.
4. Start the engine. Check that the light is lit. If the light does not go off as specified, troubleshoot the discharge light circuit.

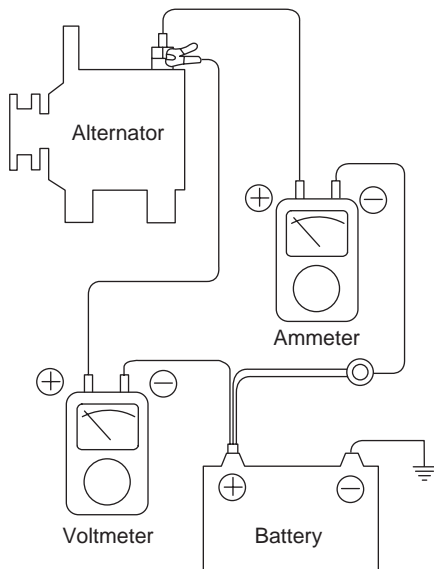
INSPECT CHARGING SYSTEM

VOLTAGE DROP TEST OF ALTERNATOR OUTPUT WIRE

This test determines whether or not the wiring between the alternator "B" terminal and the battery (+) terminal is good by the voltage drop method.

PREPARATION

1. Turn the ignition switch to "OFF".
2. Disconnect the output wire from the alternator "B" terminal. Connect the (+) lead wire of ammeter to the "B" terminal of alternator and the (-) lead wire of ammeter to the output wire. Connect the (+) lead wire of voltmeter to the "B" terminal of alternator and the (-) lead wire of voltmeter to the (+) terminal of battery.



BBGE002A

TEST

1. Start the engine.
2. Turn on the headlamps and blower motor, and set the engine speed until the ammeter indicates 20A. And then, read the voltmeter at this time.

RESULT

1. The voltmeter may indicate the standard value.

Standard value: 0.2V max

2. If the value of the voltmeter is higher than expected (above 0.2V max.), poor wiring is suspected. In this case check the wiring from the alternator "B" terminal to the battery (+) terminal. Check for loose connections, color change due to an over-heated harness, etc. Correct them before testing again.
3. Upon completion of the test, set the engine speed at idle. Turn off the headlamps, blower motor and the ignition switch.

OUTPUT CURRENT TEST

This test determines whether or not the alternator gives an output current that is equivalent to the normal output.

PREPARATION

1. Prior to the test, check the following items and correct as necessary.
Check the battery installed in the vehicle to ensure that it is good condition. The battery checking method is described in the section "Battery".
The battery that is used to test the output current should be one that has been partially discharged. With a fully charged battery, the test may not be conducted correctly due to an insufficient load.
Check the tension of the alternator drive belt. The belt tension check method is described in the section "Inspect drive belt".
2. Turn off the ignition switch.
3. Disconnect the battery ground cable.
4. Disconnect the alternator output wire from the alternator "B" terminal.
5. Connect a DC ammeter (0 to 150A) in series between the "B" terminal and the disconnected output wire. Be sure to connect the (-) lead wire of the ammeter to the disconnected output wire.

NOTE

Tighten each connection securely, as a heavy current will flow. Do not rely on clips.

6. Connect a voltmeter (0 to 20V) between the "B" terminal and ground. Connect the (+) lead wire to the alternator "B" terminal and (-) lead wire to a good ground.
7. Attach an engine tachometer and connect the battery ground cable.
8. Leave the engine hood open.

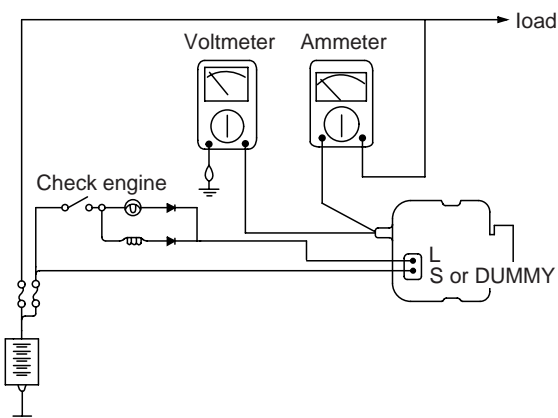
TEST

1. Check to see that the voltmeter reads as the same value as the battery voltage. If the voltmeter reads 0V, and the open circuit in the wire between alternator "B" terminal and battery (-) terminal or poor grounding is suspected.
2. Start the engine and turn on the headlamps.
3. Set the headlamps to high beam and the heater blower switch to HIGH, quickly increase the engine speed to 2,500 rpm and read the maximum output current value indicated by the ammeter.

NOTE

After the engine start up, the charging current quickly drops.

Therefore, the above operation must be done quickly to read the maximum current value correctly.



RESULT

1. The ammeter reading must be higher than the limit value. If it is lower but the alternator output wire is in good condition, remove the alternator from the vehicle and test it.

Limit value (110A alternator): 77A min.

NOTE

- The nominal output current value is shown on the nameplate affixed to the alternator body.
- The output current value changes with the electrical load and the temperature of the alternator itself.

Therefore, the nominal output current may not be obtained. If such is the case, keep the headlamps on the cause discharge of the battery, or use the lights of another vehicle to increase the electrical load.

The nominal output current may not be obtained if the temperature of the alternator itself or ambient temperature is too high.

In such a case, reduce the temperature before testing again.

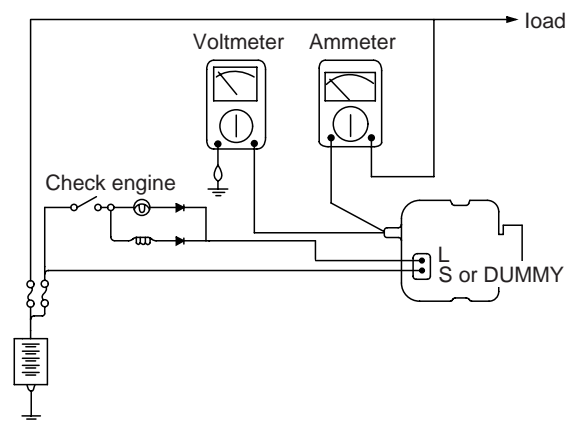
2. Upon completion of the output current test, lower the engine speed to idle and turn off the ignition switch.
3. Disconnect the battery ground cable.
4. Remove the ammeter and voltmeter and the engine tachometer.
5. Connect the alternator output wire to the alternator "B" terminal.
6. Connect the battery ground cable.

REGULATED VOLTAGE TEST

The purpose of this test is to check that the electronic voltage regulator controls voltage correctly.

PREPARATION

1. Prior to the test, check the following items and correct if necessary.
Check that the battery installed on the vehicle is fully charged. The battery checking method is described in the section "Battery".
Check the alternator drive belt tension. The belt tension check method is described in the section "Inspect drive belt".
2. Turn ignition switch to "OFF".
3. Disconnect the battery ground cable.
4. Connect a digital voltmeter between the "B" terminal of the alternator and ground. Connect the (+) lead of the voltmeter to the "B" terminal of the alternator. Connect the (-) lead to good ground or the battery (-) terminal.
5. Disconnect the alternator output wire from the alternator "B" terminal.
6. Connect a DC ammeter (0 to 150A) in series between the "B" terminal and the disconnected output wire. Connect the (-) lead wire of the ammeter to the disconnected output wire.
7. Attach the engine tachometer and connect the battery ground cable.



EBRF020A

TEST

1. Turn on the ignition switch and check to see that the voltmeter indicates the following value.

Voltage: Battery voltage

If it reads 0V, there is an open circuit in the wire between the alternator "B" terminal and the battery and the battery (-) terminal.

2. Start the engine. Keep all lights and accessories off.
3. Run the engine at a speed of about 2,500 rpm and read the voltmeter when the alternator output current drops to 10A or less

RESULT

1. If the voltmeter reading agrees with the value listed in the regulating voltage table below, the voltage regulator is functioning correctly. If the reading is other than the standard value, the voltage regulator or the alternator is faulty.

REGULATING VOLTAGE TABLE

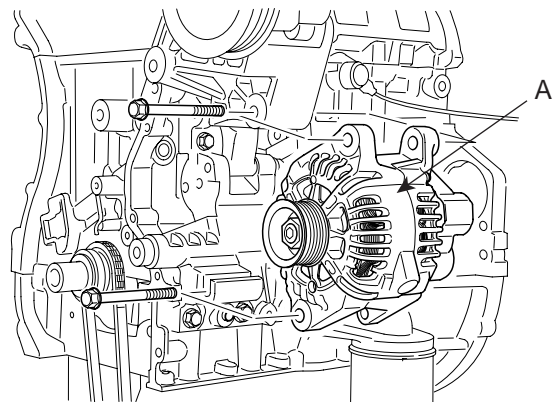
Voltage regulator ambient temperature °C (°F)	Regulating voltage (V)
-20 (-4)	14.2 ~ 15.4
20 (68)	14.0 ~ 15.0
60 (140)	13.7 ~ 14.9
80 (176)	13.5 ~ 14.7

2. Upon completion of the test, reduce the engine speed to idle, and turn off the ignition switch.
3. Disconnect the battery ground cable.
4. Remove the voltmeter and ammeter and the engine tachometer.
5. Connect the alternator output wire to the alternator "B" terminal.
6. Connect the battery ground cable.

ALTERNATOR

REMOVAL E743E5F6

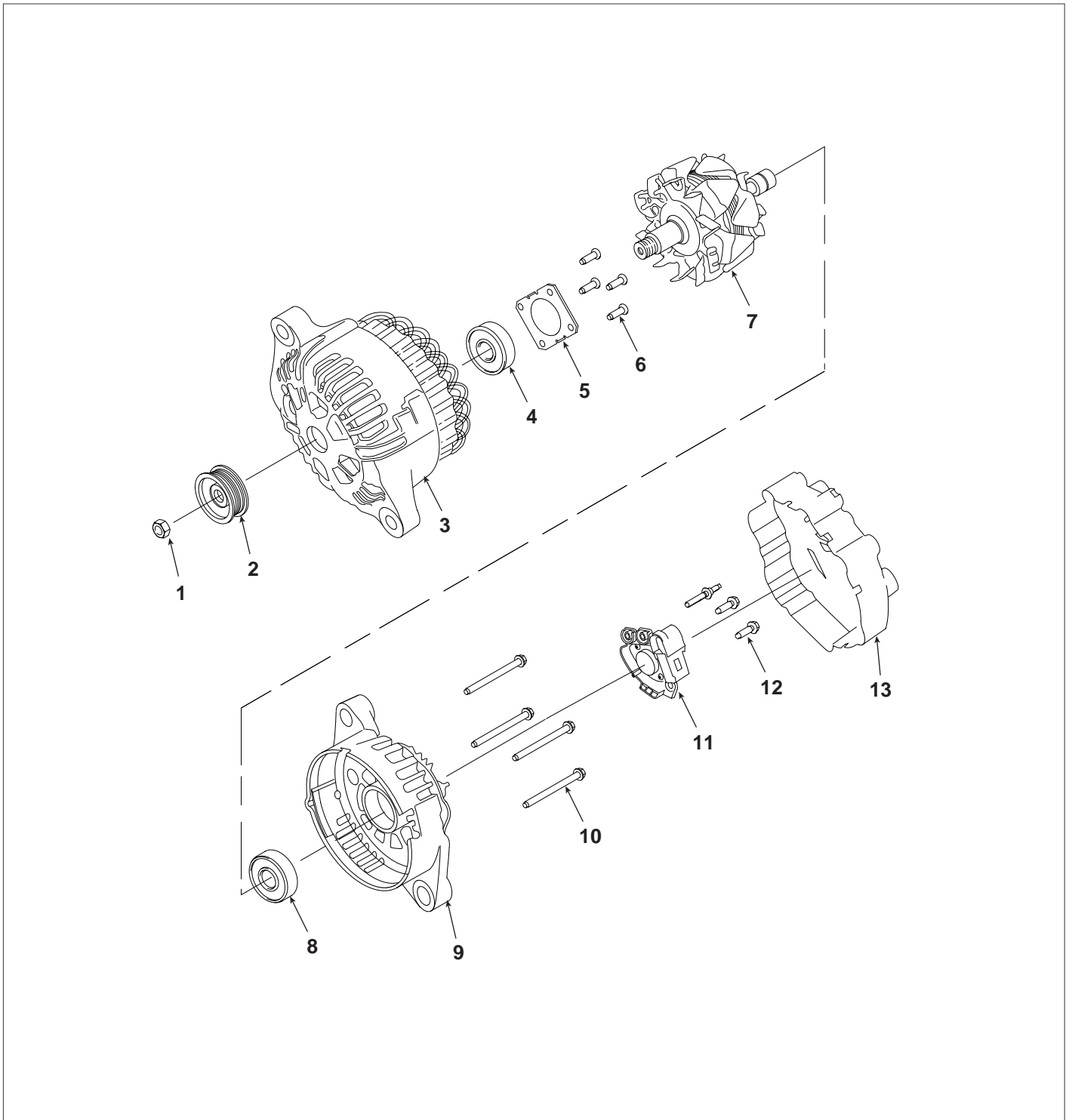
1. Disconnect the battery negative terminal first, then the positive terminal.
2. Disconnect the alternator connector, and remove the cable from alternator "B" terminal.
3. Remove the drive belt.
4. Pull out the through bolt and then remove the alternator(A).



KCRF159A

5. Installation is the reverse of removal.

COMPONENT EEEFA0CD

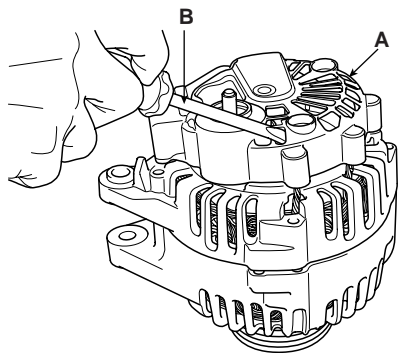


- | | |
|-----------------------|---------------------------|
| 1. Nut | 8. Rear bearing |
| 2. Pulley | 9. Rear bracket |
| 3. Front bracket | 10. Trough bolt |
| 4. Front bearing | 11. Brush holder assembly |
| 5. Bearing cover | 12. Brush holder bolt |
| 6. Bearing cover bolt | 13. Rear cover |
| 7. Rotor coil | |

CHARGING SYSTEM

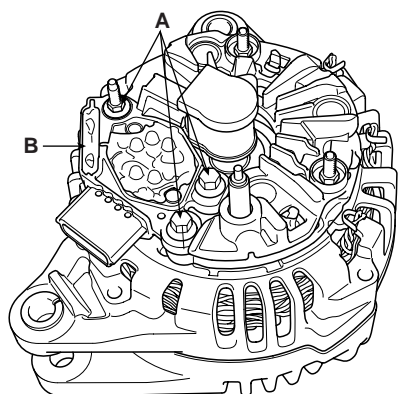
DISASSEMBLY E1EC0C79

1. Remove the alternator cover(A) using a screw driver(B).



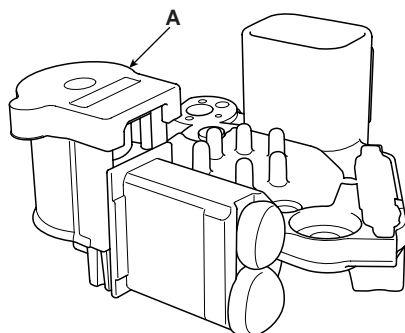
EBKD301A

2. Loosen the mounting bolts(A) and disconnect the brush holder assembly(B).



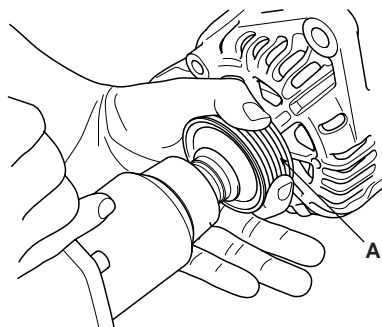
EBKD301B

3. Remove the slip ring guide(A).



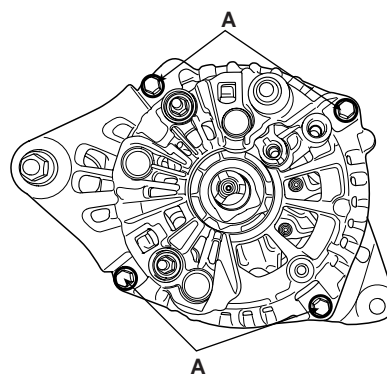
EBKD301C

4. Remove the nut, pulley(A) and spacer.



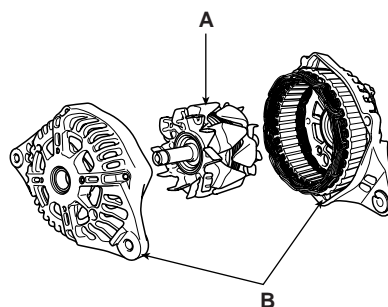
EBKD301D

5. Loosen the 4 through bolts(A).



EBKD301E

6. Disconnect the rotor(A) and cover(B).



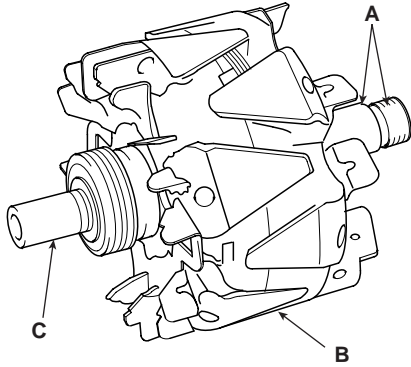
EBKD301G

7. Reassembly is the reverse order of disassembly.

INSPECTION EE34298B

INSPECT ROTOR

1. Check that there is continuity between the slip rings (A).

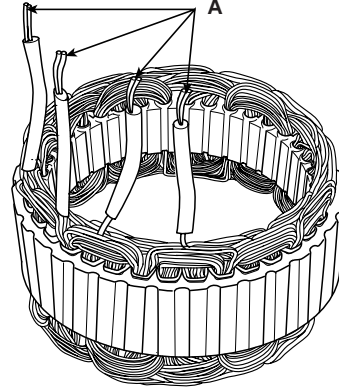


EBKD008A

2. Check that there is no continuity between the slip rings and the rotor (B) or rotor shaft (C).
3. If the rotor fails either continuity check, replace the alternator.

INSPECT STATOR

1. Check that there is continuity between each pair of leads (A).



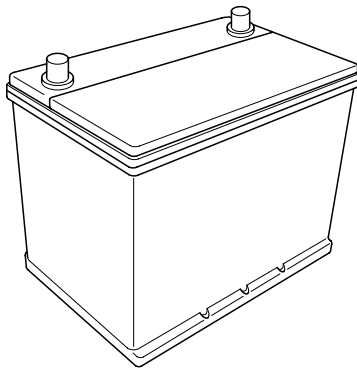
EBKD008B

2. Check that there is no continuity between each lead and the coil core.
3. If the coil fails either continuity check, replace the alternator.

BATTERY

DESCRIPTION EDA1FE6F

1. The maintenance-free battery is, as the name implies, totally maintenance free and has no removable battery cell caps.
2. Water never needs to be added to the maintenance-free battery.
3. The battery is completely sealed, except for small vent holes in the cover.

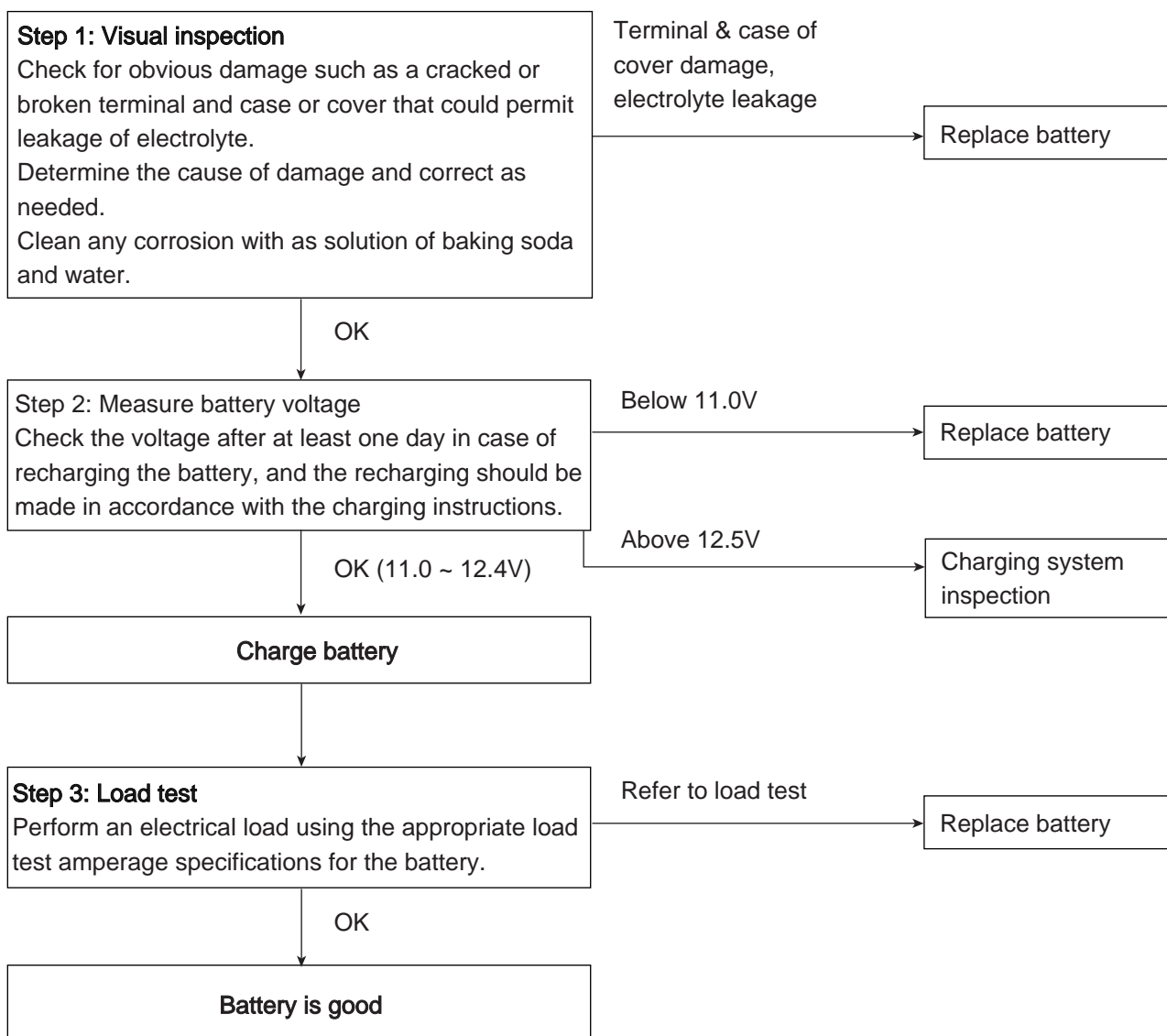


EBJD008A

INSPECTION EBDD0AA2

BATTERY DIAGNOSTIC TEST (1)

CHECKING FLOW



BBGE007A

LOAD TEST

1. Perform the following steps to complete the load test procedure for maintenance free batteries.
2. Connect the load tester clamps to the terminals and proceed with the test as follow:
 - 1) If the battery has been on charge, remove the surface charge by connect a 300ampere load for 15 seconds.
 - 2) Connect the voltmeter and apply the specified load.
 - 3) Read the voltage after the load has been applied for 15 seconds.
 - 4) Disconnect the load.
 - 5) Compare the voltage reading with the minimum and replace the battery if battery test voltage is below that shown in the voltage table.

Voltage	Temperature
9.6V	20°C (68.0°F) and above
9.5V	16°C (60.8°F)
9.4V	10°C (50.0°F)
9.3V	4°C (39.2°F)
9.1V	-1°C (30.2°F)
8.9V	-7°C (19.4°F)
8.7V	-12°C (10.4°F)
8.5V	-18°C (-0.4°F)

NOTE

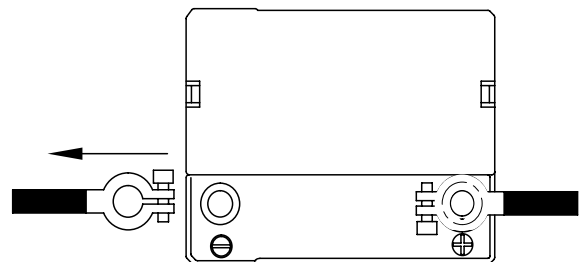
- If the voltage is greater shown in the table, the battery is good.
- If the voltage is less than shown in the table, replace the battery.

BATTERY DIAGNOSTIC TEST (2)

1. Make sure the ignition switch and all accessories are in the OFF position.
2. Disconnect the battery cables (negative first).
3. Remove the battery from the vehicle.

CAUTION

Care should be taken in the event the battery case is cracked or leaking, to protect your skin from the electrolyte.
Heavy rubber gloves (not the household type) should be wore when removing the battery.



EBJD008B

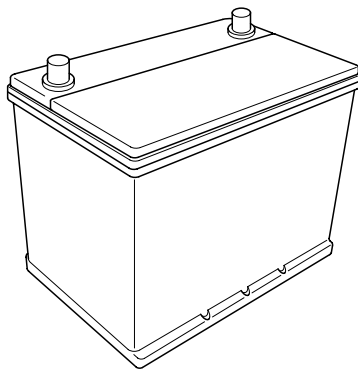
4. Inspect the battery tray for damage caused by the loss of electrolyte. If acid damage is present, it will be necessary to clean the area with a solution of clean warm water and baking soda. Scrub the area with a stiff brush and wipe off with a cloth moistened with baking soda and water.
5. Clean the top of the battery with the same solution as described above.
6. Inspect the battery case and cover for cracks. If cracks are present, the battery must be replaced.
7. Clean the battery posts with a suitable battery post tool.
8. Clean the inside surface of the terminal clamps with a suitable battery cleaning tool. Replace damaged or frayed cables and broken terminal clamps.
9. Install the battery in the vehicle.
10. Connect the cable terminals to the battery post, making sure tops of the terminals are flush with the tops of the posts.

11. Tighten the terminal nuts securely.
12. Coat all connections with light mineral grease after tightening.



CAUTION

When batteries are being charged, an explosive gas forms beneath the cover of each cell. Do not smoke near batteries being charged or which have recently been charged. Do not break live circuit at the terminals of batteries being charged. A spark will occur when the circuit is broken. Keep open flames away from battery.



EBJD008A

STARTING SYSTEM

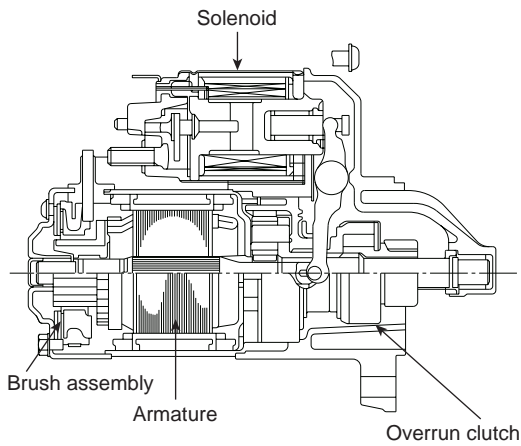
DESCRIPTION E1CE0D47

The starting system includes the battery, starter, solenoid switch, ignition switch, inhibitor switch (A/T), ignition lock switch, connection wires and the battery cable.

When the ignition key is turned to the start position, current flows and energizes the starter motor's solenoid coil.

The solenoid plunger and clutch shift lever are activated, and the clutch pinion engages the ring gear.

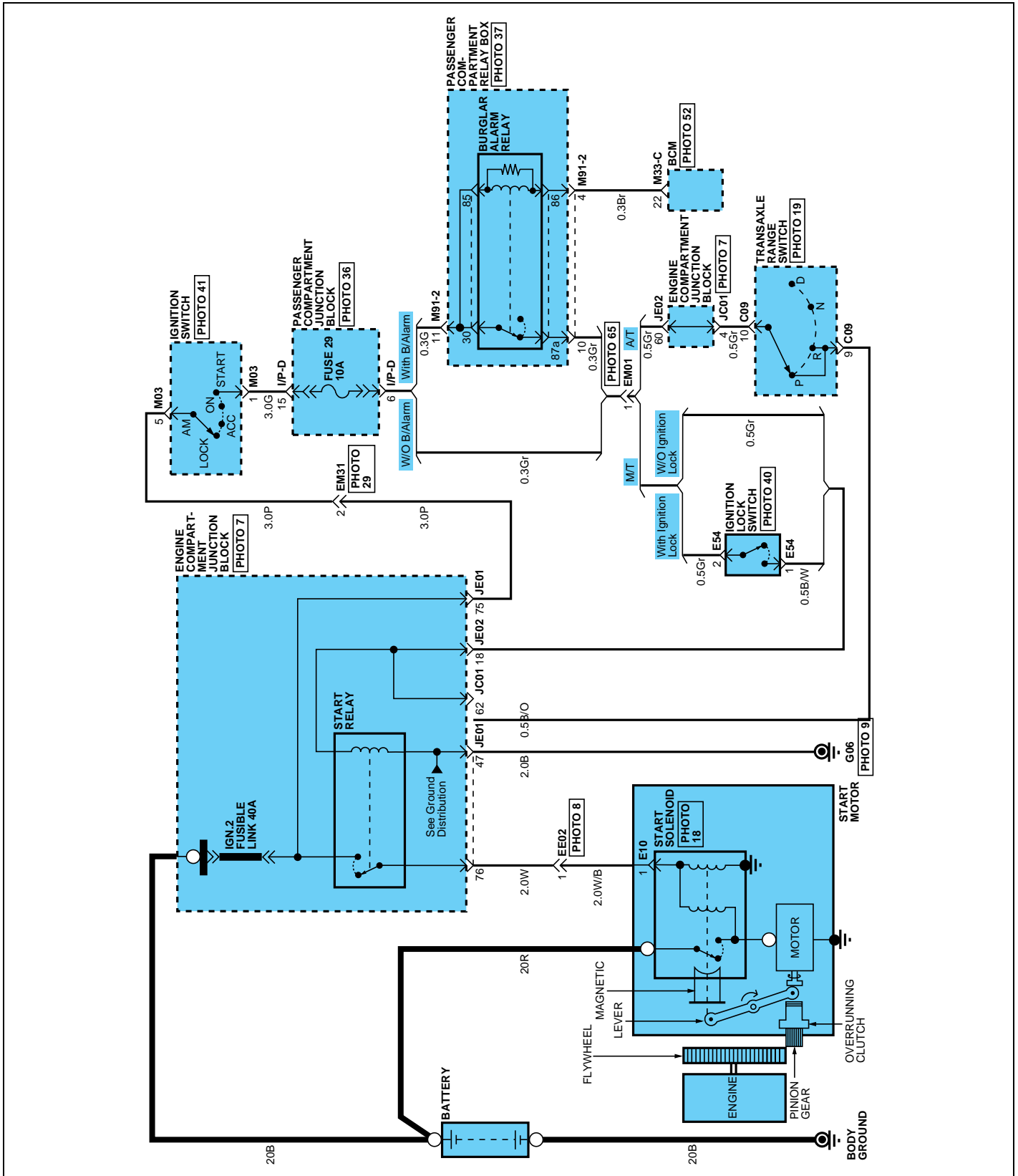
The contacts close and the starter motor cranks. In order to prevent damage caused by excessive rotation of the starter armature when the engine starts, the clutch pinion gear overruns.



EBRF021A

CIRCUIT DIAGRAM OF STARTING SYSTEM

EB5ABA2D



EBRF026A

STARTER CIRCUIT

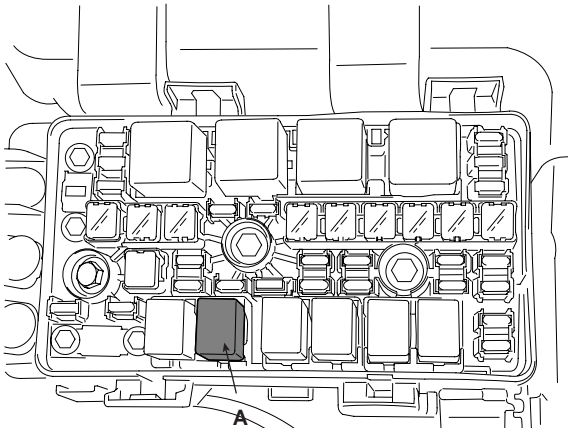
TROUBLESHOOTING

ED0E08BF

NOTE

The battery must be in good condition and fully charged.

1. Remove the fuel pump relay(A) from the fuse box.



KBRF013A

2. With the shift lever in N or P (A/T) or clutch pedal pressed (M/T), turn the ignition switch to "START"

If the starter normally cranks the engine, starting system is OK. If the starter will not crank the engine at all, go to next step.

If it won't disengage from the ring gear when you release key, check for the following until you find the cause.

- Solenoid plunger and switch malfunction.
- Dirty pinion gear or damaged overrunning clutch.

3. Check the battery condition. Check electrical connections at the battery, battery negative cable connected to the body, engine ground cables, and the starter for looseness and corrosion. Then try starting the engine again.

If the starter cranks normally the engine, repairing the loose connection repaired the problem. The starting system is now OK.

If the starter still does not crank the engine, go to next step.

4. Disconnect the connector from the S-terminal of solenoid. Connect a jumper wire from the B-terminal of solenoid to the S-terminal of solenoid.

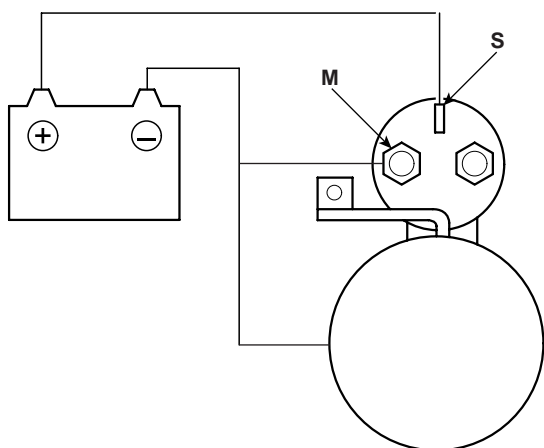
If the starter cranks the engine, go to next step. If the starter still does not crank the engine, remove the starter, and repair or replace as necessary.

5. Check the following items in the order listed until you find the open circuit.

- Check the wire and connectors between the driver's under-dash fuse/relay box and the ignition switch, and between the driver's under-dash fuse/relay box and the starter.
- Check the ignition switch (Refer to BE group - ignition system)
- Check the transaxle range switch connector or ignition lock switch connector.
- Inspect the starter relay.

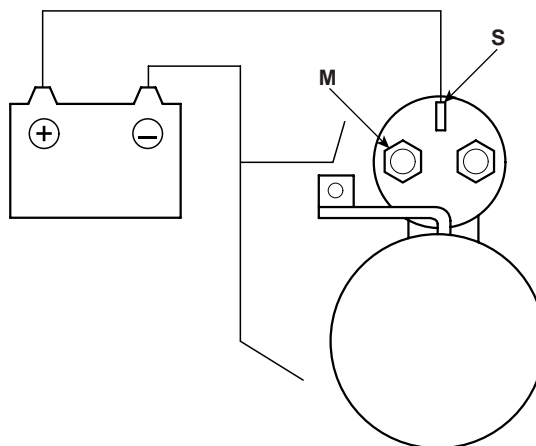
STATER SOLENOID TEST

1. Disconnect the field coil wire from the M-terminal of solenoid switch.
2. Connect the battery as shown. If the starter pinion pops out, it is working properly. To avoid damaging the starter, do not leave the battery connected for more than 10 seconds.



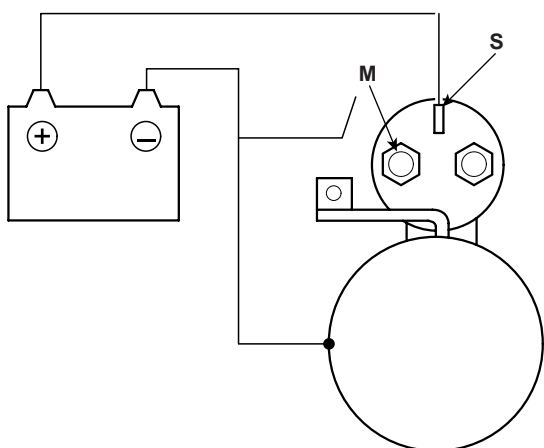
KBSE203D

4. Disconnect the battery also from the body. If the pinion retracts immediately, it is working properly. To avoid damaging the starter, do not leave the battery connected for more than 10 seconds.



KBSE203F

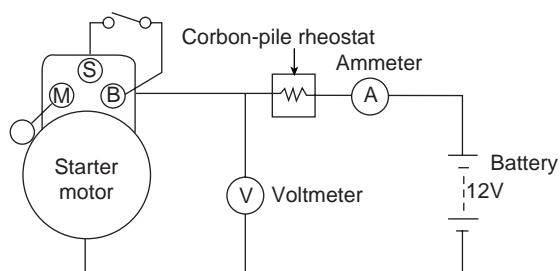
3. Disconnect the battery from the M terminal. If the pinion does not retract, the hold-in coil is working properly. To avoid damaging the starter, do not leave the battery connected for more than 10 seconds.



KBSE203E

FREE RUNNING TEST

1. Place the starter motor in a vise equipped with soft jaws and connect a fully-charged 12-volt battery to starter motor as follows.
2. Connect a test ammeter (100-ampere scale) and carbon pile rheostats shown is the illustration.
3. Connect a voltmeter (15-volt scale) across starter motor.



BBGE005A

4. Rotate carbon pile to the off position.
5. Connect the battery cable from battery's negative post to the starter motor body.
6. Adjust until battery voltage shown on the voltmeter reads 11volts.
7. Confirm that the maximum amperage is within the specifications and that the starter motor turns smoothly and freely.

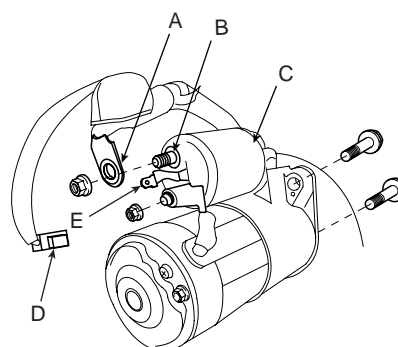
Current : 90A max
Speed : 2,600 rpm

STARTER

STATATER E2DAEAB6

REMOVAL

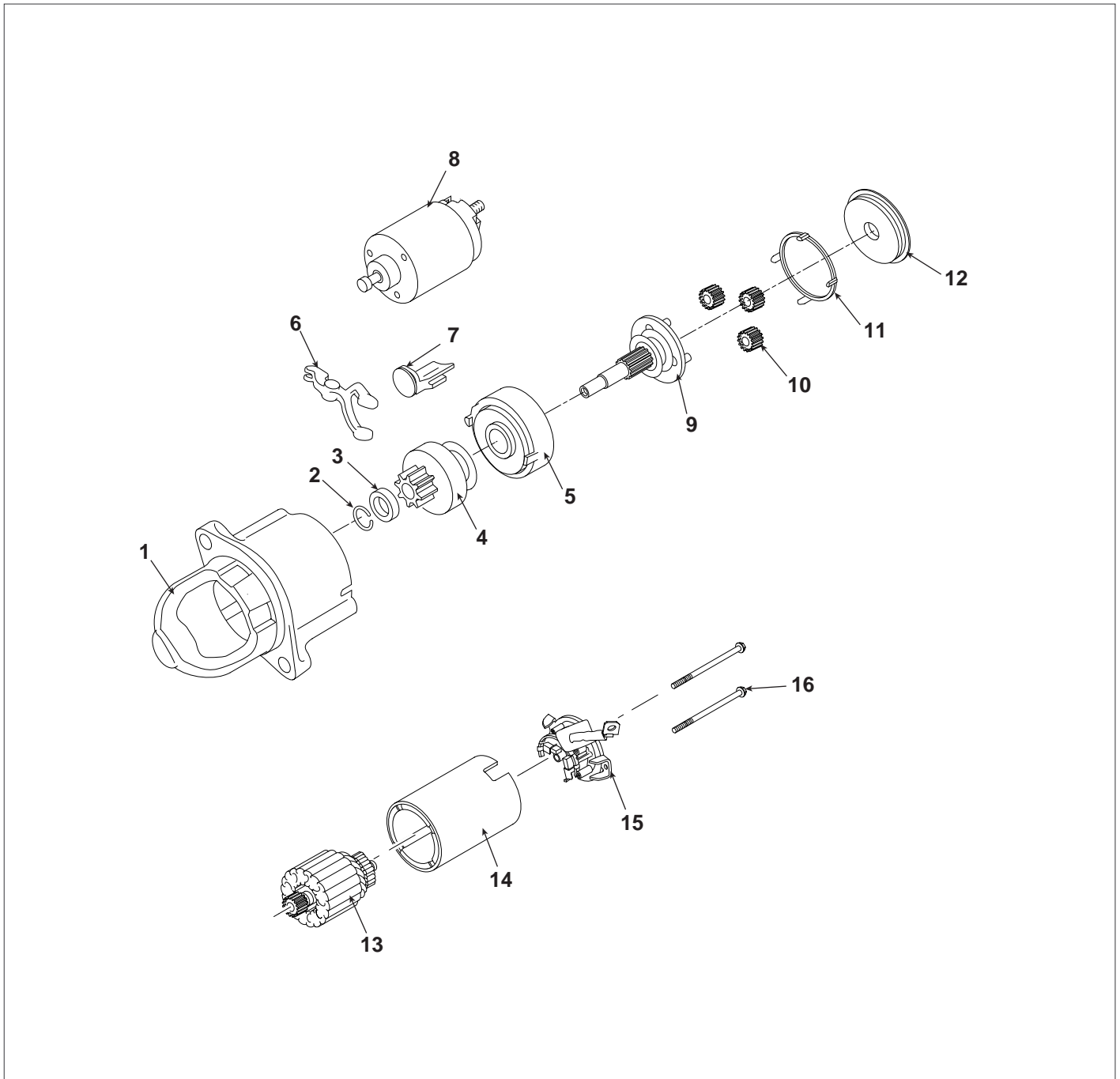
1. Disconnect the battery negative cable.
2. Disconnect the starter cable (A) from the B terminal (B) on the solenoid (C), then disconnect the connector (D) from the S terminal (E).



ABGE024A

3. Remove the 2 bolts holding the starter, then remove the starter.
4. Installation is the reverse of removal.
5. Connect the battery negative cable to the battery.

COMPONENT EEDAEEB0



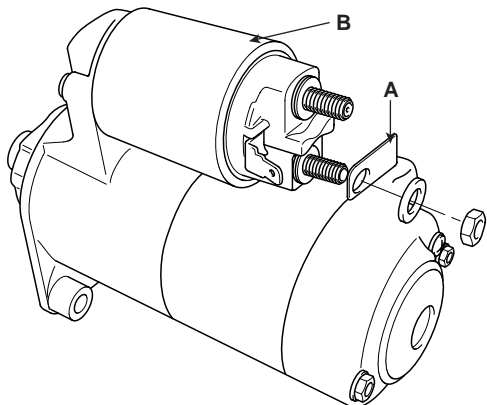
- | | |
|----------------------------|-----------------------------|
| 1. Front bracket | 9. Planet shaft assembly |
| 2. Stop ring | 10. Planetary gear assembly |
| 3. Stopper | 11. Packing |
| 4. Overrun clutch assembly | 12. Shield |
| 5. Internal gear assembly | 13. Armature assembly |
| 6. Lever | 14. Yoke assembly |
| 7. Lever packing | 15. Brush holder assembly |
| 8. Magnet switch assembly | 16. Through bolt |

EBRF003A

STARTING SYSTEM

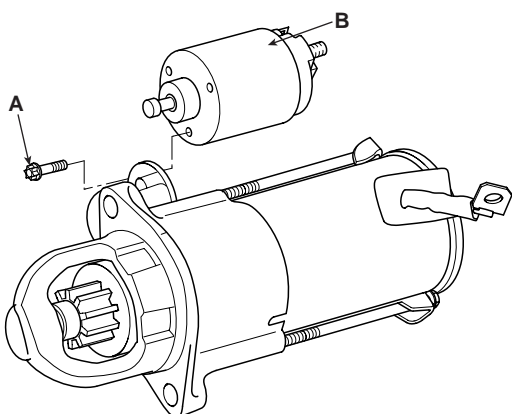
DISASSEMBLY EBCFFF4B

1. Disconnect the M-terminal (A) on the magnet switch assembly (B).



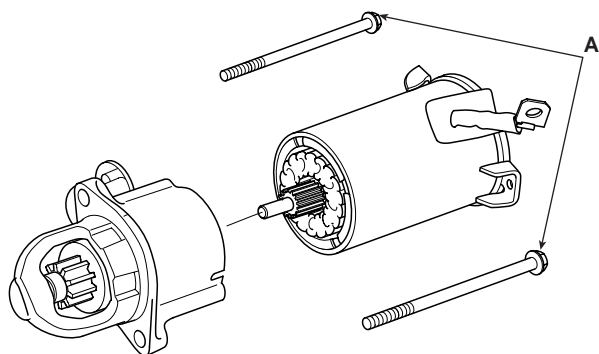
EBKD011C

2. After loosening the 3 screws (A), detach the magnet switch assembly (B).



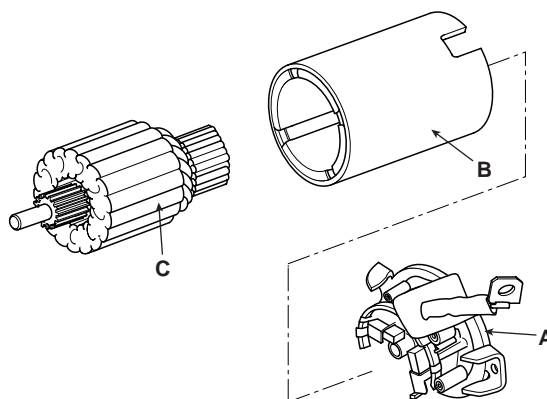
KBRF010A

3. Loosen the through bolts (A).



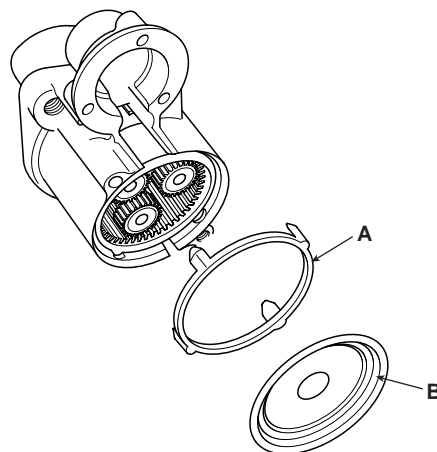
KBRF011A

4. Remove the brush holder assembly (A), yoke (b) and armature (C).



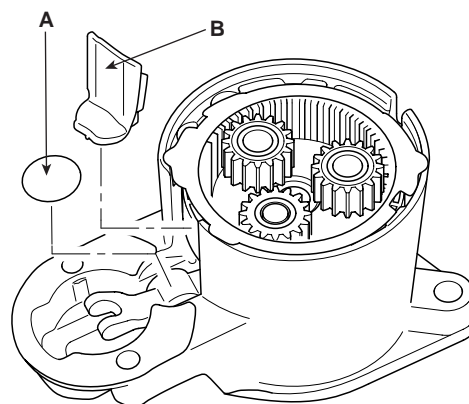
KBRF012A

5. Remove the shield (A) and packing (B).



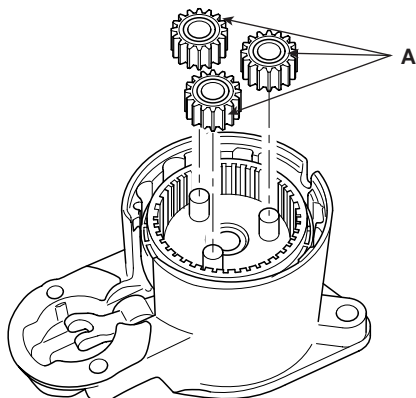
KBRF014A

6. Remove the lever plate (A) and lever packing (B).

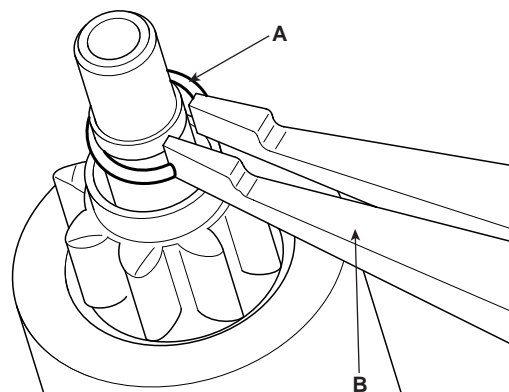


EBKD011H

7. Disconnect the planet gear (A).

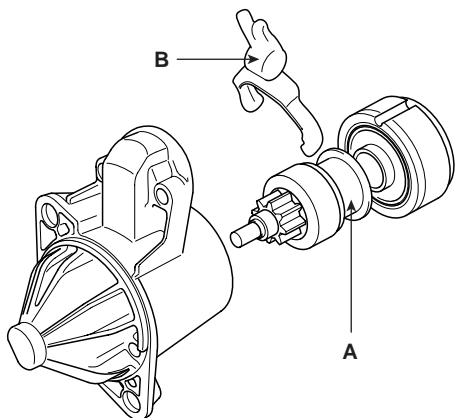


EBKD011I



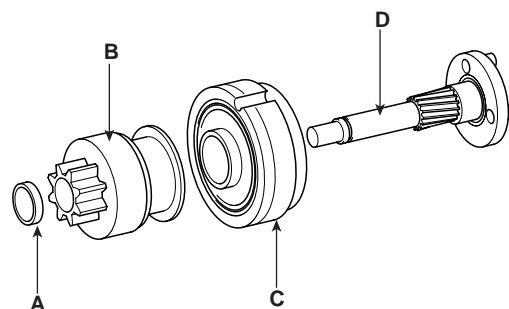
EBKD011L

8. Disconnect the planet shaft assembly (A) and lever (B).



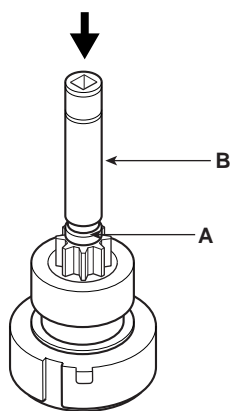
EBKD011J

11. Disconnect the stop ring (A), overrunning clutch (B), internal gear (C) and planet shaft (D).



EBKD011M

9. Press the stop ring (A) using a socket (B).

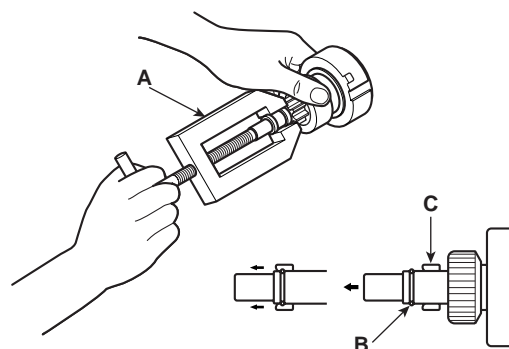


EBKD011K

12. Reassembly is the reverse of disassembly.

NOTE

Using a suitable pulling tool (A), pull the overrunning clutch stop ring (B) over the stopper (C).



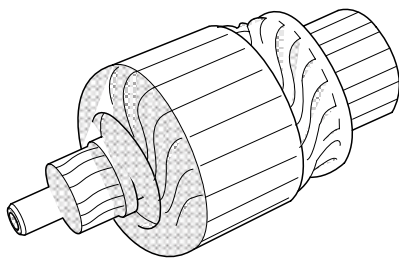
10. After removing the stopper (A) using stopper pliers (B).

EBKD011O

INSPECTION E6EB24DE

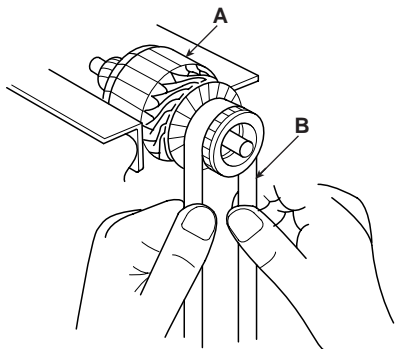
ARMATURE INSPECTION AND TEST

1. Remove the starter.
2. Disassemble the starter as shown at the beginning of this procedure.
3. Inspect the armature for wear or damage from contact with the permanent magnet. If there is wear or damage, replace the armature.



EBKD012A

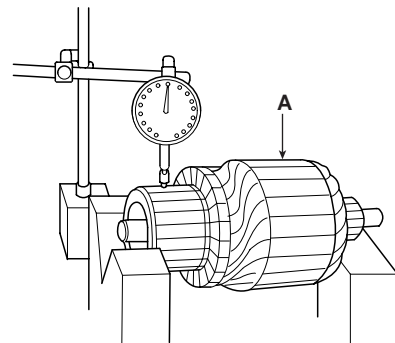
4. Check the commutator (A) surface. If the surface is dirty or burnt, resurface with emery cloth or a lathe within the following specifications, or recondition with #500 or #600 sandpaper (B).



EBKD012B

5. Measure the commutator (A) runout.
 - If the commutator runout is within the service limit, check the commutator for carbon dust or brass chips between the segments.
 - If the commutator run out is not within the service limit, replace the armature.

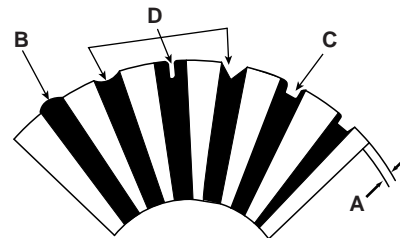
Commutator runout
Standard (New): 0.02mm (0.0008in.) max
Service limit: 0.05mm (0.0020in.)



EBKD012D

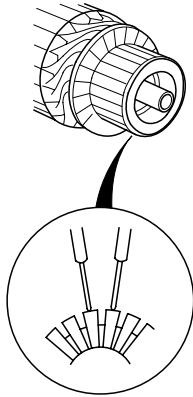
6. Check the mica depth (A). If the mica is too high (B), undercut the mica with a hacksaw blade to the proper depth. Cut away all the mica (C) between the commutator segments. The undercut should not be too shallow, too narrow, or v-shaped (D).

Commutator mica depth
Standard (New) : 0.5 mm (0.0197 in.)
Limit : 0.2mm (0.0079 in.)



EBKD012E

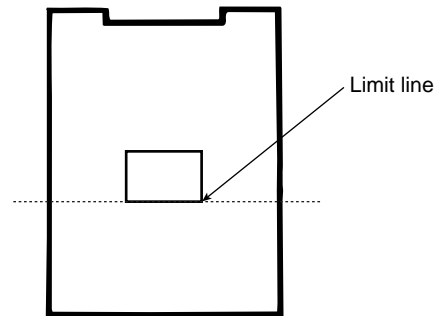
7. Check for continuity between the segments of the commutator. If an open circuit exists between any segments, replace the armature.



EBKD012F

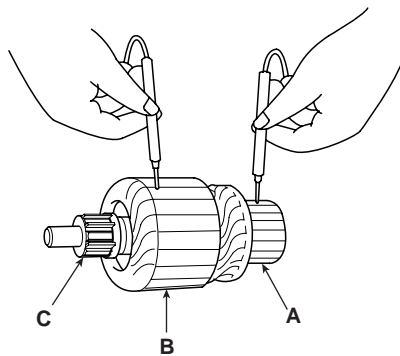
INSPECT STARTER BRUSH

Brushes that are worn out, or oil-soaked, should be replaced.



EBRF022A

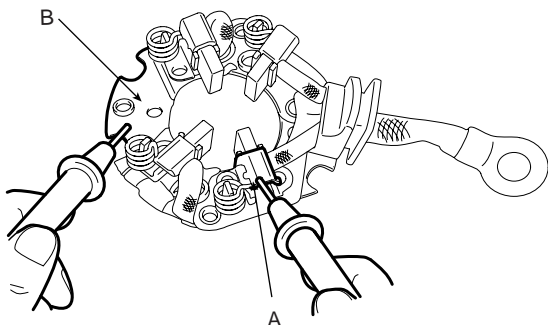
8. Check with an ohmmeter that no continuity exists between the commutator (A) and armature coil core (B), and between the commutator and armature shaft (C). If continuity exists, replace the armature.



EBKD012G

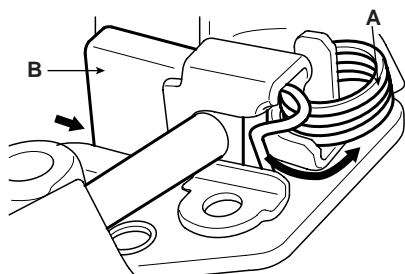
STARTER BRUSH HOLDER TEST

1. Check that there is no continuity between the (+) brush holder (A) and (-) brush holder (B). If there is no continuity, replace the brush holder assembly.



EBBD330A

2. Pry back each brush spring (A) with a screwdriver, then position the brush (B) about halfway out of its holder, and release the spring to hold it there.

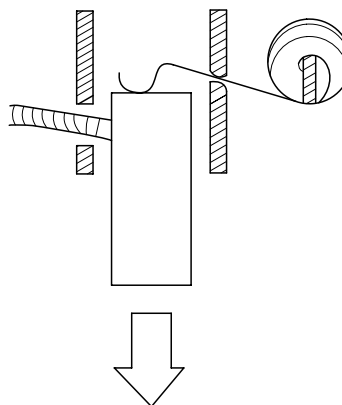


EBKD012K

3. Install the armature in the housing, and install the brush holder. Next, pry back each brush spring again, and push the brush down until it seats against the commutator, then release the spring against the end of the brush.

NOTE

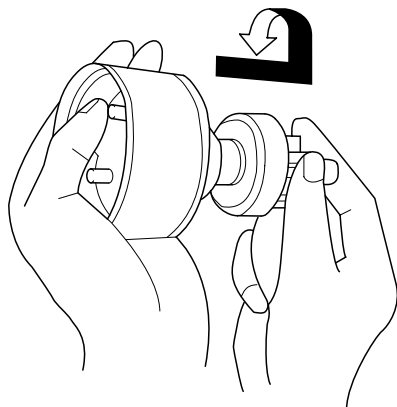
To seat new brushes, slip a strip of #500 or #600 sandpaper, with the grit side up, between the commutator and each brush, and smoothly rotate the armature. The contact surface of the brushes will be sanded to the same contour as the commutator.



EBKD012I

INSPECT OVERRUNNING CLUTCH

1. Slide the overrunning clutch along the shaft.
Replace it if does not slide smoothly.
2. Rotate the overrunning clutch both ways.
Does it lock in one direction and rotate smoothly in reverse? If it does not lock in either direction or it locks in both directions, replace it.



EBKD012J

3. If the starter drive gear is worn or damaged, replace the overrunning clutch assembly. (the gear is not available separately).
Check the condition of the flywheel or torque converter ring gear if the starter drive gear teeth are damaged.

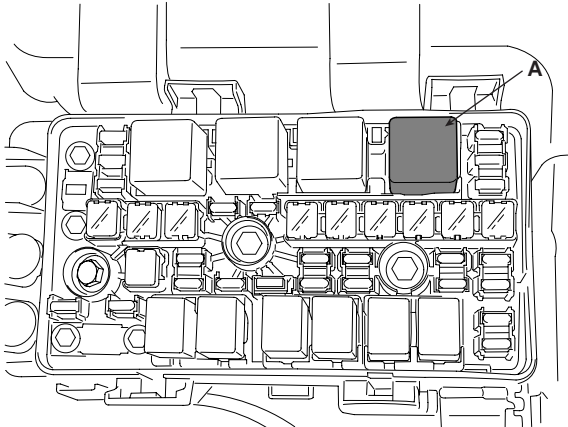
CLEANING

1. Do not immerse parts in cleaning solvent. Immersing the yoke assembly and/or armature will damage the insulation. Wipe these parts with a cloth only.
2. Do not immerse the drive unit in cleaning solvent. The overrun clutch is pre-lubricated at the factory and solvent will wash lubrication from the clutch.
3. The drive unit may be cleaned with a brush moistened with cleaning solvent and wiped dry with a cloth.

STARTER RELAY

INSPECTION EE48CFAA

1. Remove the fuse box cover.
2. Remove the starter relay (A).

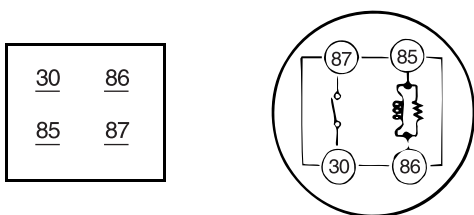


KBRF013B

3. Using an ohmmeter, check that there is continuity between each terminal.

Terminal	Continuity
30 - 87	NO
85 - 86	YES

4. Apply 12V to terminal 85 and ground to terminal 86. Check for continuity between terminals 30 and 87.



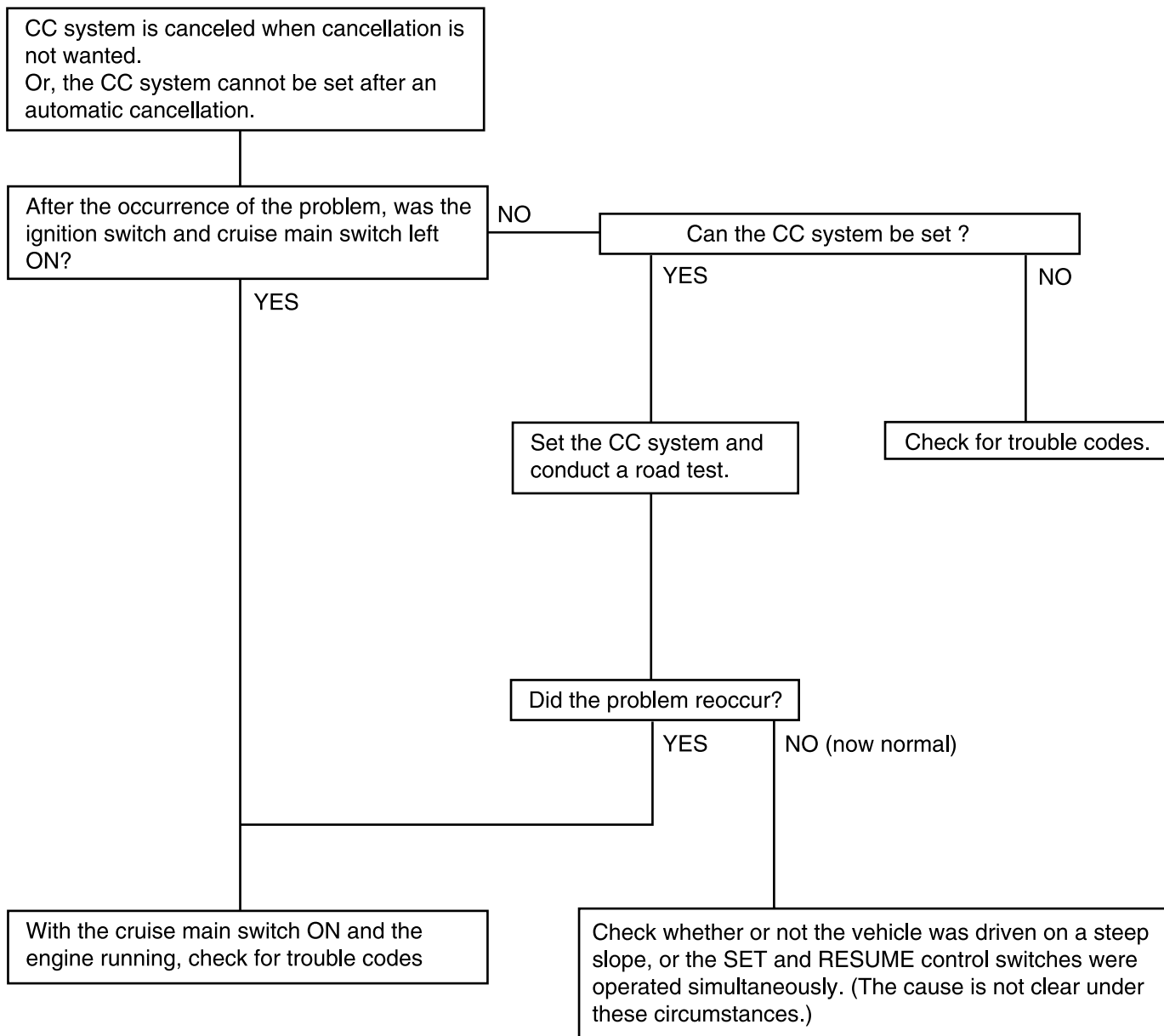
LDAD510B

5. If there is no continuity, replace the starter relay.
6. Install the starter relay.
7. Install the fuse box cover.

CRUISE CONTROL SYSTEM

TROUBLE SYMPTOM CHARTS EE30BB78

TROUBLE SYMPTOM 1



CC : Cruise Control
ECU : Engine Control Unit

EBRF023A

TROUBLE SYMPTOM 2

Trouble symptom	Probable cause	Remedy
The set vehicle speed varies greatly upward or downward "Surging" (repeated alternating acceleration and deceleration) occurs after setting	Malfunction of the vehicle speed sensor circuit	Repair the vehicle speed sensor system, or replace the part
	Malfunction of ECM	Replace the ECM

CRUISE CONTROL SYSTEM

TROUBLE SYMPTOM 3

Trouble symptom	Probable cause	Remedy
The CC system is not canceled when the brake pedal is depressed	Damaged or disconnected wiring of the brake pedal switch	Repair the harness or replace the brake pedal switch
	Malfunction of the ECM	Replace the ECM

TROUBLE SYMPTOM 4

Trouble symptom	Probable cause	Remedy
The CC system is not canceled when the shift lever is moved to the "N" position (It is canceled, however, when the brake pedal is depressed)	Damaged or disconnected wiring of inhibitor switch input circuit	Repair the harness or repair or replace the inhibitor switch
	Improper adjustment of inhibitor switch	
	Malfunction of the ECM	Replace the ECM

TROUBLE SYMPTOM 5

Trouble symptom	Probable cause	Remedy
Cannot decelerate (coast) by using the SET switch	Temporary damaged or disconnected wiring of SET switch input circuit	Repair the harness or replace the SET switch
	Malfunction of the ECM	Replace the ECM

TROUBLE SYMPTOM 6

Trouble symptom	Probable cause	Remedy
Cannot accelerate or resume speed by using the RESUME switch	Damaged or disconnected wiring, or short circuit, or RESUME switch input circuit	Repair the harness or replace the RESUME switch
	Malfunction of the ECM	Replace the ECM

TROUBLE SYMPTOM 7

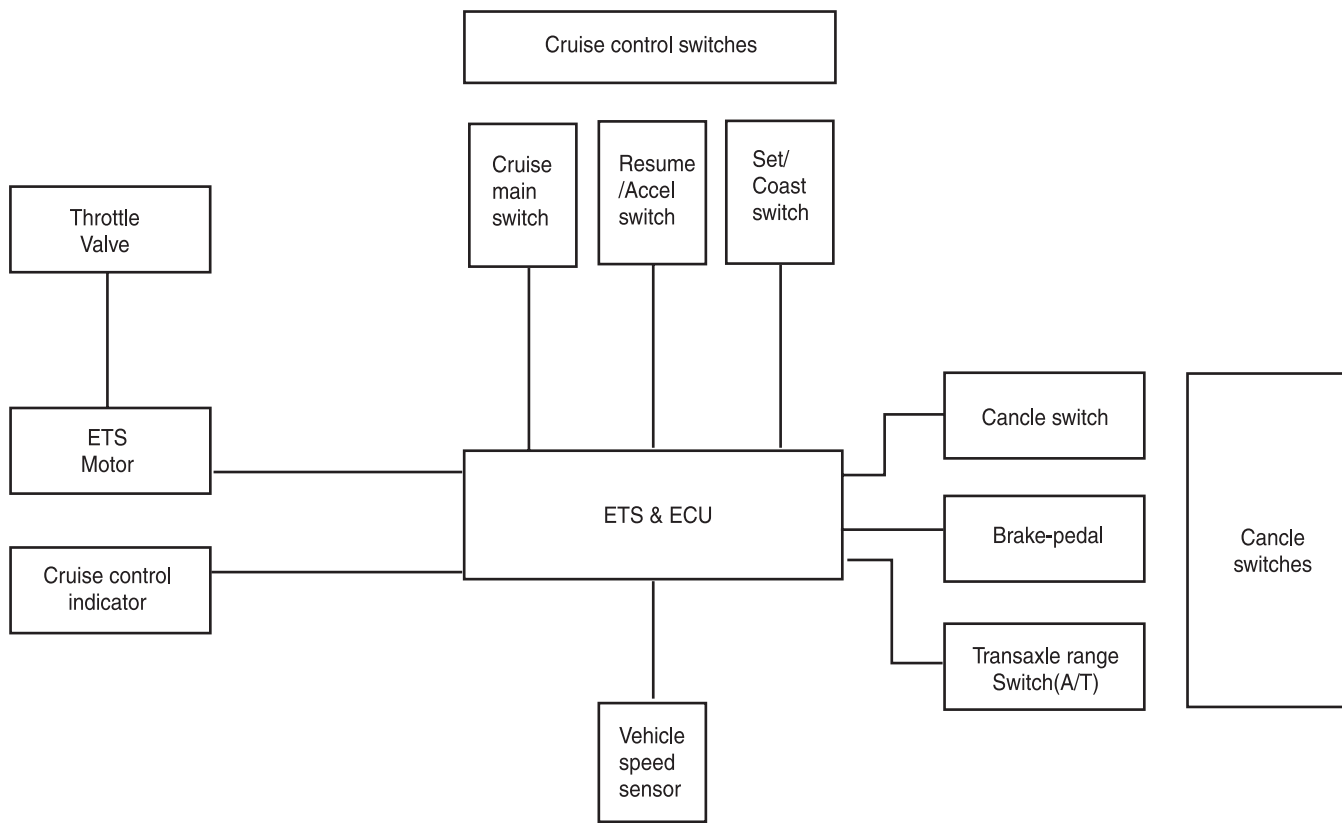
Trouble symptom	Probable cause	Remedy
CC system can be set while driving at a vehicle speed of less than 40km/h (25mph), or there is no automatic cancellation at that speed	Malfunction of the vehicle-speed sensor circuit	Repair the vehicle speed sensor system, or replace the part
	Malfunction of the ECM	Replace the ECM

TROUBLE SYMPTOM 8

Trouble symptom	Probable cause	Remedy
The cruise main switch indicator lamp does not illuminate (But CC system is normal)	Damaged or disconnected bulb of cruise main switch indicator lamp	Repair the harness or replace the part.
	Harness damaged or disconnected	

SYSTEM BLOCK DIAGRAM

EDC4A9FD



LBCD001V

COMPONENT PARTS AND FUNCTION OUTLINE

Component part		Function
Vehicle-speed sensor		Converts vehicle speed to pulse.
Engine control module (ECM)		Receives signals from sensor and control switches;
Cruise control indicator		Illuminate when CRUISE main switch is ON (Built into cluster)
Cruise Control switches	CRUISE main switch	Switch for automatic speed control power supply.
	Resume/Accel switch	Controls automatic speed control functions by Resume/Accel switch (Set/Coast switch)
	Set/Coast switch	
Cancel switch	Cancel switch	Sends cancel signals to ECM
	Brake-pedal switch	
	Transaxle range switch (A/T)	
	Clutch switch (M/T)	
ETS motor		Regulates the throttle valve to the set opening by ECM.

* ETS : Electronic Throttle System

CRUISE CONTROL

Cruise control system is engaged by "ON. OFF" main switch located on right of steering wheel column. System has the capability to cruise, coast, resume speed, and accelerate, and raise "tap-up" or lower "tap-down" set speed.

It also has a safety interrupt, engaged upon depressing brake or shifting select lever.

ECM is a speed control system that maintains a required vehicle speed at normal driving conditions.

The main components of cruise control system are mode control switches, transaxle range switch, brake switch, vehicle speed sensor, ECM and ETS motor that connect throttle body.

ECM contains a low speed limit which will prevent system engagement below a minimum speed of 40km/h (25mph). The operation of the controller is controlled by mode control switches located on steering wheel.

Transaxle range switch and brake switch are provided to disengage the cruise control system. The switches are on brake pedal bracket and transaxle. When the brake pedal depressed or select lever shifted, the cruise control system is electrically disengaged and the throttle is returned to the idle position.

Cruise main switch

Cruise control system is engaged by pressing "ON. OFF" push button. Releasing "ON.OFF" push button release throttle, clears cruise memory speed, and puts vehicle in a non-cruise mode.

Coast/Set switch

COAST.SET switch located on right of steering wheel column has two positions - "Normal" and "Depressed". The set position - With COAST.SET switch depressed and then released the cruise speed will be set at the speed the vehicle was going when COAST.SET switch was released. The coast position - With COAST.SET switch fully depressed, driver can lower cruise speed. To decrease cruise speed, COAST.SET switch is held in, disengaging cruise control system. When vehicle has slowed to required cruise speed, releasing COAST.SET switch will re-engage speed at new selected speed.

The tap down - To lower vehicle speed, cruise must be engaged and operating. Tap down is done by quickly pressing and releasing COAST.SET switch. Do not hold COAST.SET switch in depressed position.

Tap down is a function in which cruise speed can be decreased by 1mph (1.6km/h)

Resume/Accel switch

RES.ACCEL switch located on right of steering wheel column has two positions - "Normal" and "Depressed".

The resume position - With RES.ACCEL switch depressed and then release, this switch also returns cruise control operation to last speed (Which is temporarily disengaged by Cancel switch or Brake pedal), setting when momentarily operating RES.ACCEL switch by constant acceleration.

The accel position - With RES.ACCEL switch depressed and held in, disengaging cruise control system, when vehicle has accelerated to required cruise speed, releasing RES.ACCEL switch will re-engage speed at new selected speed.

The tap up - To increase vehicle speed, the cruise must be engaged and operating.

Tap up is done by quickly pressing and releasing RES.ACCEL switch less than 0.5 second. Do not hold RES.ACCEL switch in depressed position. Tap up is a function in which cruise speed can be increased by 1mph (1.6km/h).

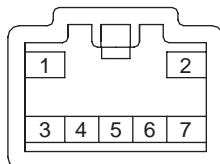
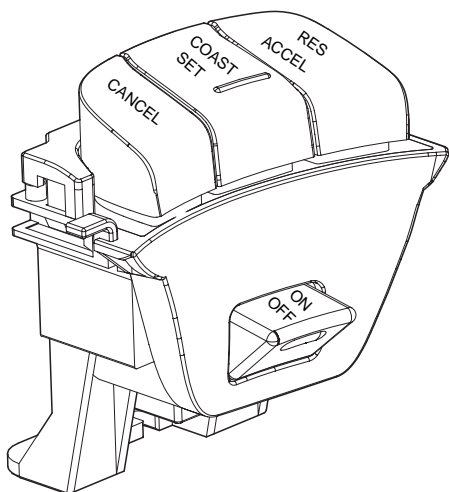
Cancel switch

Cruise control system is temporarily disengaged by pressing "CANCLE" switch.

Cruise speed canceled by this switch will be recovered by RES.ACCEL switch

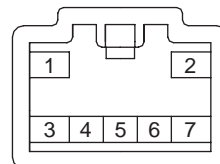
CRUISE CONTROL MAIN SWITCH

CIRCUIT DIAGRAM EB2B2A80



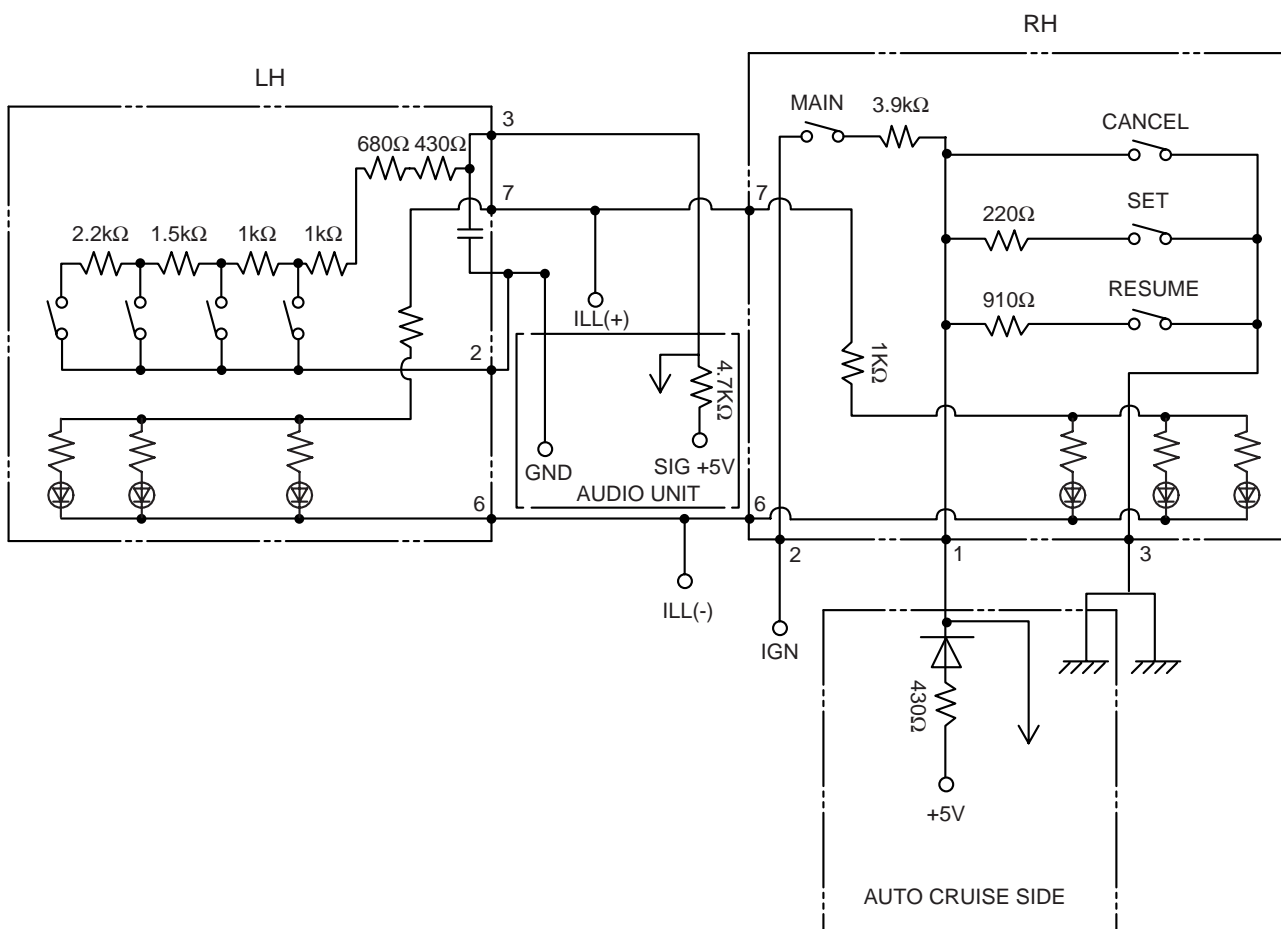
LH CONNECTOR

NO	CONNECTOR
1	-
2	AUDIO UNIT (GND)
3	AUDIO UNIT (SIG IN)
4	-
5	-
6	ILL(-)
7	ILL(+)



RH CONNECTOR

NO	CONNECTOR
1	CRUSIE SW(SIG IN)
2	CRUSIE MAIN SW(IGN)
3	CRUSIE SW(SIG OUT)
4	-
5	-
6	ILL(-)
7	ILL(+)

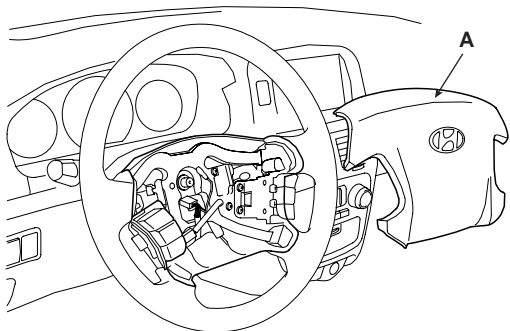


CRUISE CONTROL SYSTEM

EE -51

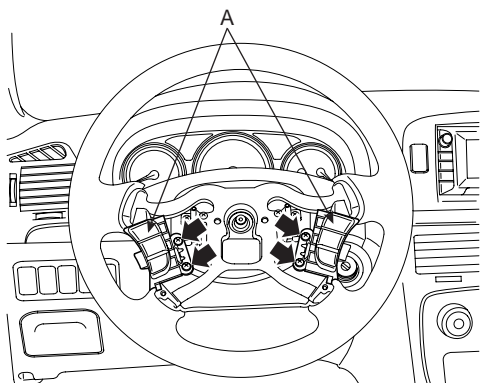
REMOVAL EB5EE0D7

1. Disconnect the battery (-) terminal.
2. Remove the driver side air bag module(A). (Refer to RT GR.)



EBRF024A

3. Disconnect the cruise control switch connector and then remove the cruise control switch(A) with two screw.



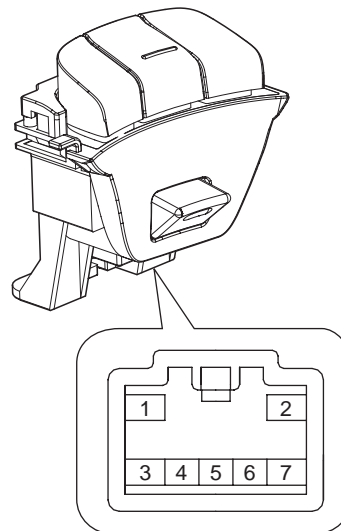
KTRE024A

4. Installation is the reverse of removal.

INSPECTION E006C956

MEASURING RESISTANCE

1. Disconnect the cruise control switch connector from the control switch.



KTRE024B

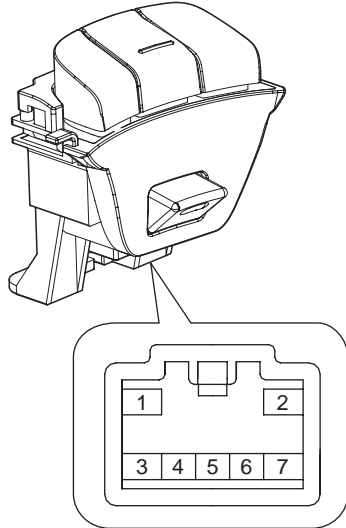
2. Measure resistance between terminals on the control switch when each function switch is ON (switch is depressed).

Function switch	Terminal	Resistance
Cruise Main	RH 1-2	3.9k ± 1%
Cancel	RH 1-3	0 ± 1%
Set/Coast	RH 1-3	220 ± 1%
Resume/Accel	RH 1-3	910 ± 1%

3. If not within specification, replace switch.

MEASURING VOLTAGE

1. Connect the cruise control switch connector to the control switch.



KTRE024B

2. Measure voltage between terminals on the harness side connector when each function switch is ON (switch is depressed).

Function switch	Terminal	Voltage
Cruise Main	RH 1-2	-
Cancel	RH 1-3	0.0V ± 0.22V
Set/Coast	RH 1-3	1.5V ± 0.22V
Resume/Accel	RH 1-3	3.0V ± 0.22V

3. If not within specification, replace switch.