

Body (Interior and Exterior)

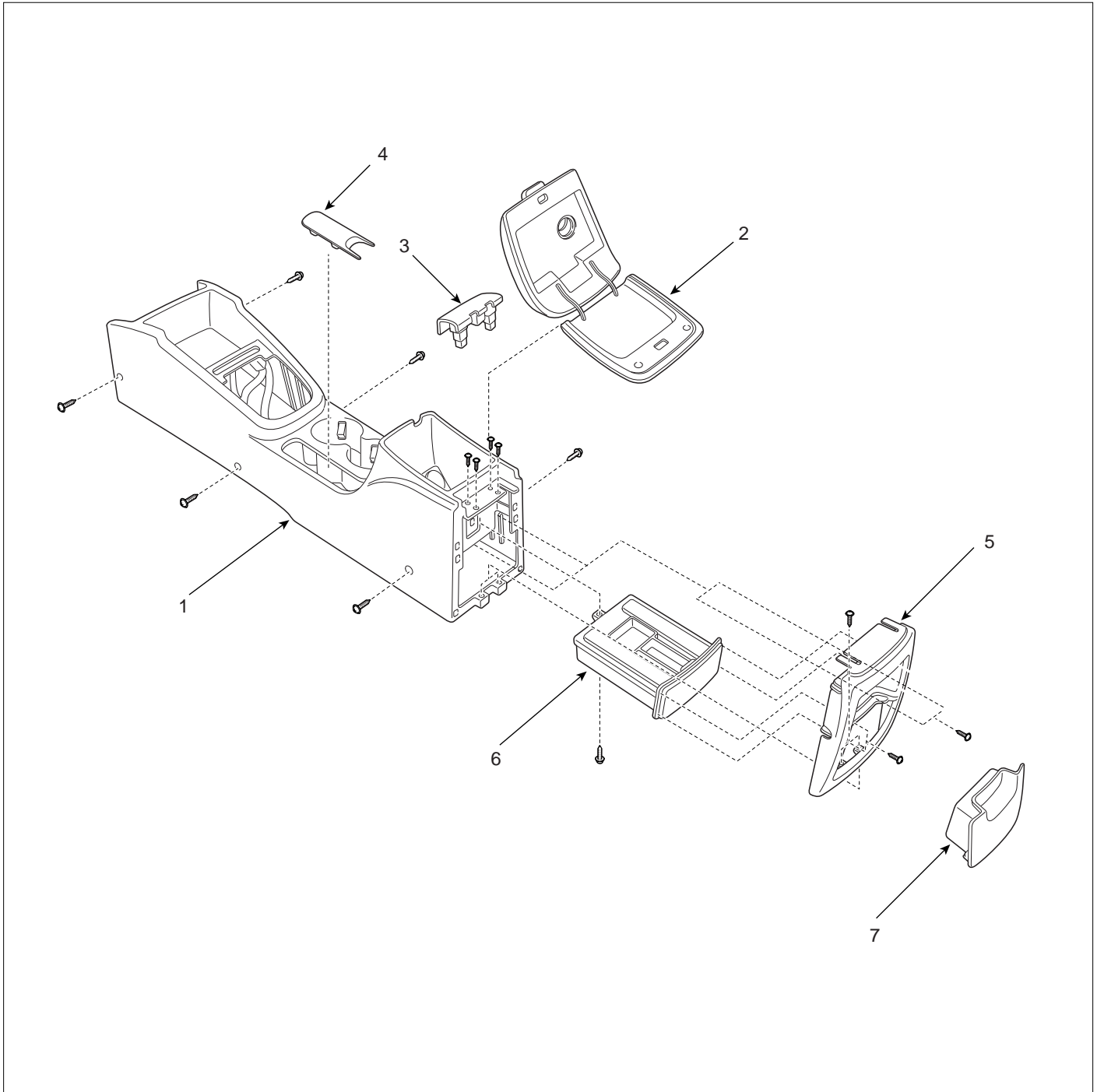
INTERIOR

CONSOLE

INTERIOR

CONSOLE

COMPONENTS E2B1A545



- 1. Console rear cover
- 2. Console assembly
- 3. Rear console cover
- 4. Console upper cover

- 5. Console side cover
- 6. Console upper cover
- 7. Console armrest
- 8. Armrest cover

- 9. Armrest panel assembly
- 10. Rear monitor
- 11. Console extension cover (RH)

REPLACEMENT EF8E429A

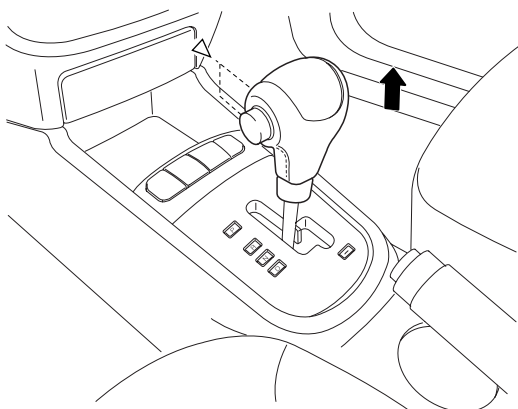
FLOOR CONSOLE REPLACEMENT

 NOTE

- When prying with a flat-up screwdriver, wrap it with protective tape, and apply protective tape around the related parts, to prevent damage.
- Put on gloves to protect your hands.

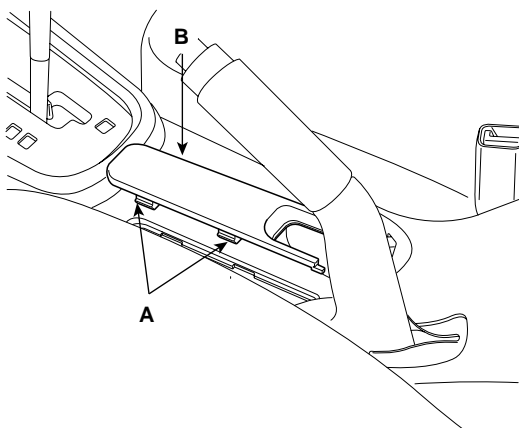
1. After loosening the mounting screw, then remove the knob (A).

▷ : Screw Locations, 2



SLDBD6004N

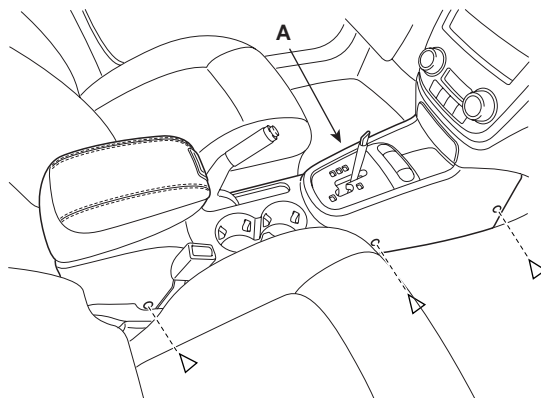
2. Gently detach the hook, remove the parking brake cover (A).



SLDBD6001D

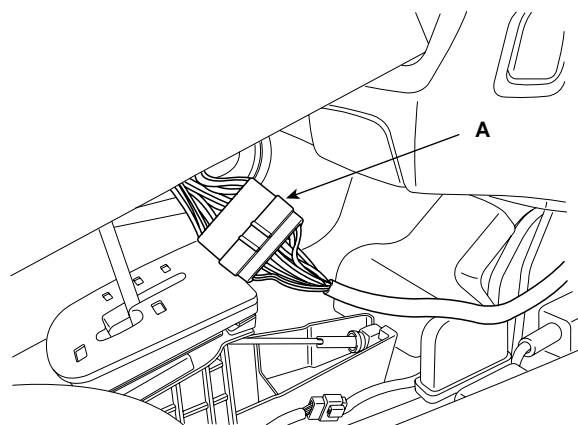
3. After loosening the console mounting screws, remove the floor console assembly (A).

▷ : Screw Locations, 6



SLDBD6003N

4. Disconnect the console main harness connector (A).



SLDBD6002D

5. Installation is the reverse of removal.

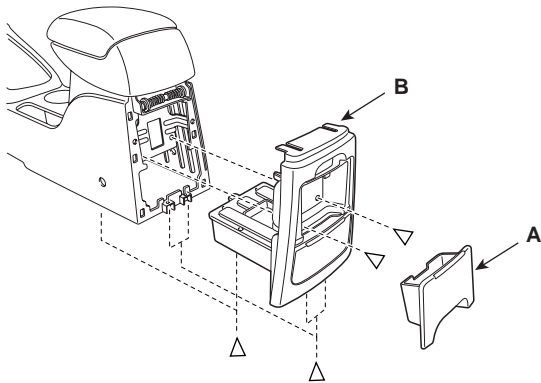
 NOTE

- Make sure the connector is plugged in properly.
- Replace any damage clips.

ARMREST REPLACEMENT

1. Remove the ashtray (A).
2. After loosening the armrest mounting screws, then remove the rear cover (B).

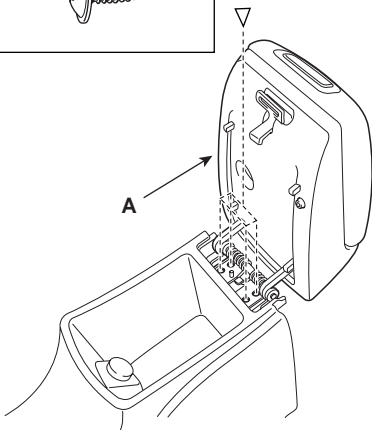
▷ : Screw Locations



SLDBD6005N

3. After loosening the armrest mounting screws, remove the armrest (A).

▷ : Screw Locations, 4



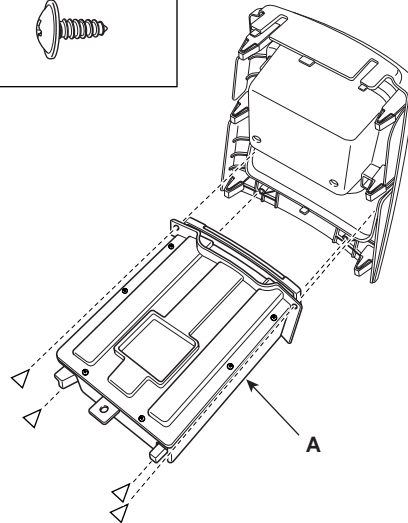
SLDBD6006N

4. Installation is the reverse of removal.

CUP HOLDER TRAY REPLACEMENT

1. Remove the console assembly.
2. Remove the console rear cover.
3. After loosening the armrest mounting screws, remove the armrest (A).

▷ : Screw Locations, 4



SLDBD6007N

4. Installation is the reverse of removal.