

Body (Interior and Exterior)

GENERAL

EXTERIOR

FENDER
HOOD
TRUNK LID
FRONT DOOR
REAR DOOR
BODY SIDE MOLDINGS
SUN ROOF
MIRROR

INTERIOR

CONSOLE
CRASH PAD
INTERIOR TRIM
WINDSHIELD GLASS

BUMPER

FRONT BUMPER
REAR BUMPER

SEAT

FRONT SEAT
REAR SEAT
SEAT BELT

GENERAL

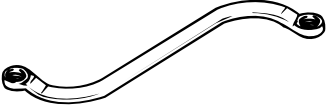

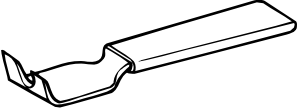
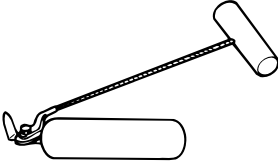
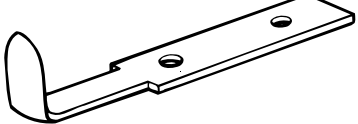
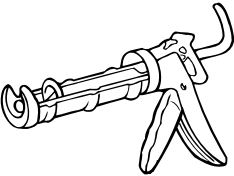
SPECIFICATIONS E5D7F7FF


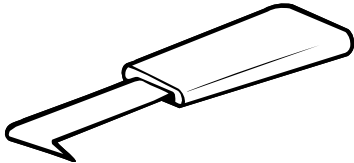
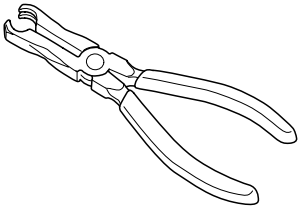
HOOD <ul style="list-style-type: none">Type	Rear hinged, gas lifter type
FRONT DOOR <ul style="list-style-type: none">ConstructionRegulator systemLocking system	Front hinged, full door construction Wire drum type Pin-fork system
REAR DOOR <ul style="list-style-type: none">ConstructionRegulator systemLocking system	Front hinged, full door construction Wire drum type Pin-fork system
TRUNK LID <ul style="list-style-type: none">Type	Inner hinged, gas lifter type
GLASS THICKNESS <ul style="list-style-type: none">Windshield glassFront door glassRear door glassRear window glass	Laminated clear, tinted 5mm 4mm 4mm 3.5mm
SEAT BELTS <ul style="list-style-type: none">FrontRear	3 point type with Emergency Locking Retractor (E.L.R) 3 point type with Emergency Locking Retractor (E.L.R) 2 point type

TIGHTENING TORQUE EEDBC95E

Items	N·m	Kgf·m	lb·ft
Front and rear doors <ul style="list-style-type: none">• Door hinge to body• Door hinge to door	12.7~25.5 12.7~25.5	1.3~2.6 1.3~2.6	9.4~18.8 9.4~18.8
Trunk lid <ul style="list-style-type: none">• Trunk lid lift to trunk lid• Trunk lid latch to trunk lid	6.9~10.8 6.9~10.8	0.7~1.1 0.7~1.1	5.1~8.0 5.1~8.0
Hood <ul style="list-style-type: none">• Hood hinge to body• Hood hinge to hood• Hood latch to body• Gas lifter seat mounting bolts	21.6~26.5 21.6~26.5 6.9~8.8 6.9~8.8	2.2~2.7 2.2~2.7 0.7~0.9 2.2~2.7	15.9~19.5 15.9~19.5 5.1~6.5 15.9~19.5
Seat <ul style="list-style-type: none">• Front seat mounting bolts• Front seat mounting nut• Rear seat mounting bolts	34.3~53.9 23.5~35.3 9.8~14.7	3.5~5.5 2.4~3.6 1.0~1.5	25.3~39.8 17.4~26.0 7.2~10.8
Seat belt <ul style="list-style-type: none">• Front seat bet height adjuster• Front seat belt buckle mounting bolt• Front seat belt anchor mounting bolt• Front seat belt lower anchor• Front seat belt upper anchor• Rear seat belt anchor attaching bolt• Rear seat belt retractor mounting bolt	39.2~53.9 39.2~53.9 39.2~53.9 39.2~53.9 39.2~53.9 39.2~53.9 39.2~53.9	4.0~5.5 4.0~5.5 4.0~5.5 4.0~5.5 4.0~5.5 4.0~5.5 4.0~5.5	28.9~39.8 28.9~39.8 28.9~39.8 28.9~39.8 28.9~39.8 28.9~39.8 28.9~39.8

SPECIAL TOOLS EA4CAEAD

Tool (Number and name)	Illustration	Use
09793-2100 Door hinge adjusting wrench	 LSRE010A	Adjustment, removal and installation of the door hinge
09800-21000 Ornament remover	 LSRE010B	Trim removal
09853-31000 Headliner clip remover	 LSRE010C	Removal of the headliner clips
09861-31100 Sealant cut-out tool	 LSRE010D	Cutting the sealant of the windshield (Use with 09861-31200)
09861-31200 Sealant cutting blade	 LSRE010E	Cutting the sealant of the windshield (Use with 09861-31100)
09861-31300 Sealant gun	 LSRE010F	Application of the sealant to the windshield

<p>09681-31400 Glass holder</p>	 <p>LSRE010G</p>	<p>Removal and installation of the windshield</p>
<p>09681-31000 Windshield moulding remover</p>	 <p>LSRE010H</p>	<p>Removal of the windshield moulding</p>
<p>09880-4F000 Hogring clip installer</p>	 <p>LSRE010I</p>	<p>Installation of the hogring clip</p>

TROUBLESHOOTING E83F7E04

Symptom	Suspect Area	Remedy (See page)
Water leaks from sunroof	Dirt accumulated in drain tube	Clear dirt inside of drain
	Clogged drain tube	Blow air into drain to remove dirt
	Broken or dislocated drain tube, defective Or cracked clip	Check tube installation and Flange contact
	Deteriorated roof lid weatherstrip	Replace
	Excessive roof lid-to-body clearance and Improperly fitted weatherstrip	Adjust
Wind noise around sunroof	Loose or deformed deflector, gaps In body work	Retighten adjust or replace
Sunroof lid makes a noise when move	Foreign particles lodged in guide rail	Check drive cable and guide Rails for foreign particles
	Loose guide rails and lid	Retighten
Motor runs but sunroof Does not move or moves only partially	Foreign particles lodged in guide rail	Check drive cable and guide Rails for foreign particles
	Incorrect engagement of motor pinion With drive cable	Check for loose motor installation And damaged pinion
	Decrease in motor's clutch slipping force	Adjust
	Increased sunroof sliding resistance Or interference of sunroof with drive Cables, weatherstrip, etc. due to Maladjustment of sunroof	Adjust or replace
Noise in motor clutch slipping Noise from motor when sunroof Is fully opened or closed is not An unusual noise	Incorrect engagement of motor pinion With drive cable	Check pinion installation and Retighten motor
	Worn out or damaged motor pinion bearing	Replace motor assembly
	Worn out or deformed drive cable	Replace
Door glass fails to operate Up and down	Incorrect window glass installation	Adjust position (see page BD-28)
	Damaged or faulty regulator arm or regulator	Correct or replace (see page BD-28)
Door does not open or close completely	Incorrect door installation	Adjust position (see page BD-28)
	Defective door check assembly	Correct or replace
	Door hinge requires grease	Apply grease
Hood does not open or close completely	Striker and latch not properly aligned	Adjust (see page BD-13)
	Incorrectly installed hood	Adjust (see page BD-13)
	Incorrect hood bumper height	Adjust (see page BD-13)
Water leak through windshield end rear window	Defective seal	Fill with sealant
	Defective flange	Correct

EXTERIOR

- Put on gloves to protect your hands.
- Take care not to scratch the body surface.

FENDER

REPLACEMENT ECA8A4C4

NOTE

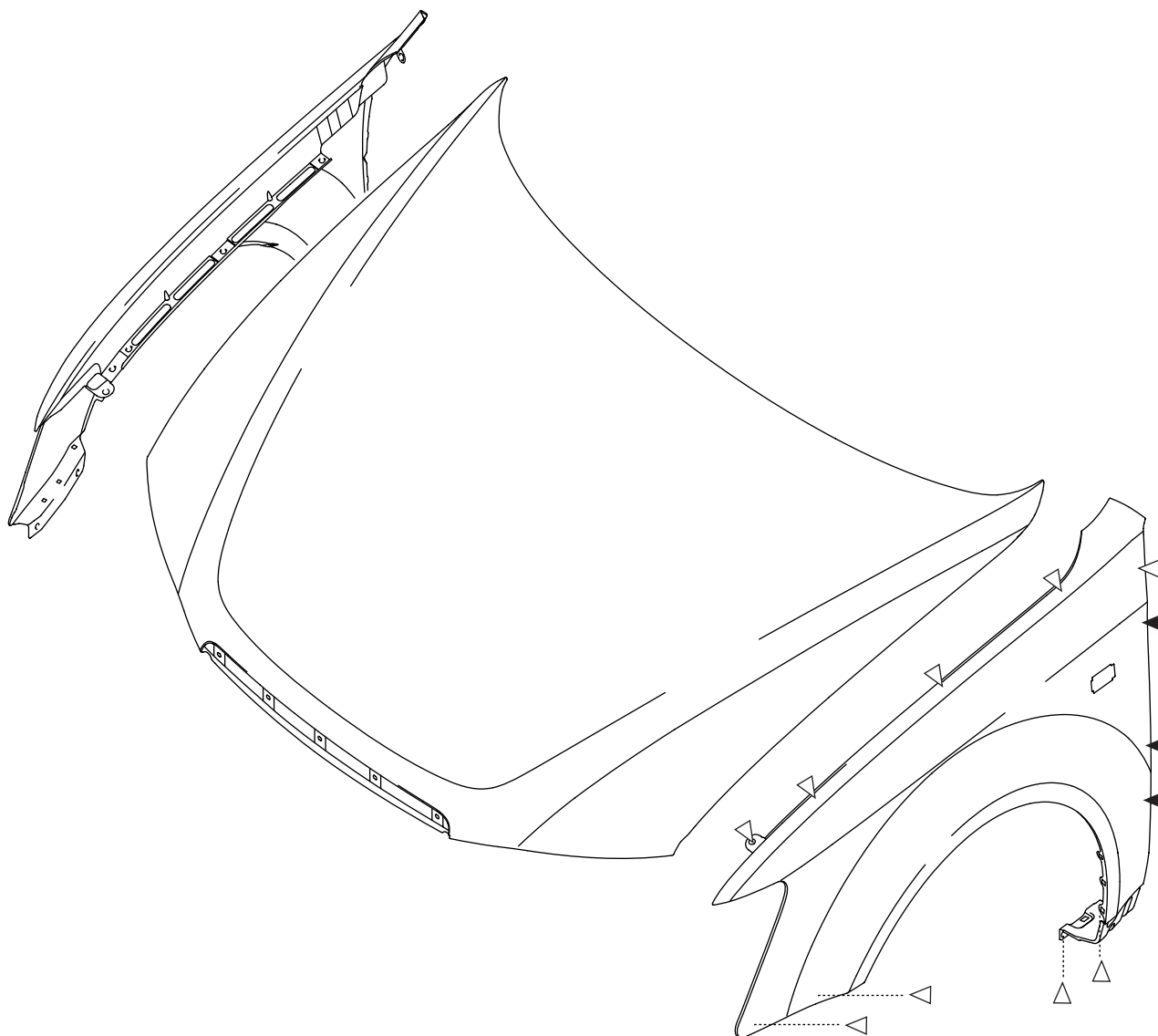
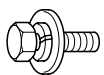
- When prying with a flat-tip screwdriver, wrap it with protective tape, and apply protective tape around the related parts, to prevent damage.

1. Remove the following items.
 - Side garnish (See page BD-38).
 - Front bumper (See page BD-68).
 - Wheel guard (See page BD-37).
 - Headlamp.
2. Installation is the reverse of removal.

Fastener Locations

▷ : Bolt, 9

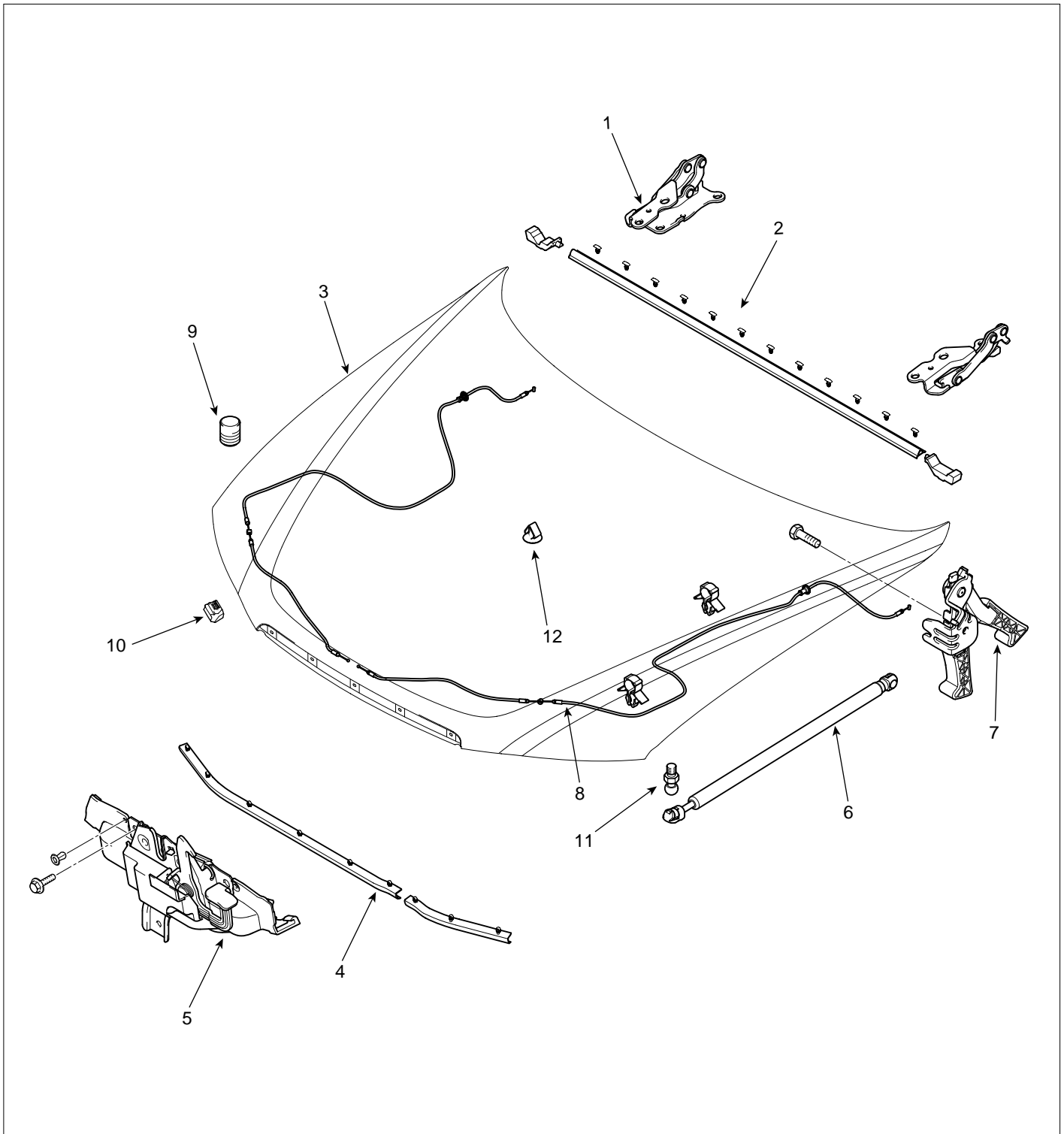
▶ : Clip, 3



LSRE040A

HOOD

COMPONENTS E7F63C06



- | | | |
|---------------------------|------------------------|-------------------------|
| 1. Hood hinge | 5. Hood latch | 9. Hood overslam bumper |
| 2. Hood weatherstrip | 6. Hood lift | 10. Hood stop bumper |
| 3. Hood | 7. Hood release handle | 11. Ball joint |
| 4. Hood seal weatherstrip | 8. Hood release cable | 12. Mounting clip |

LSRE0501

REPLACEMENTS E0FDE985

HOOD ASSEMBLY REPLACEMENT

 **NOTE**

- When removing and installing the hood, an assistant is necessary.
- Take care not to damage the hood and body.
- When removing the clips, use a clip remover.

1. Disconnect the windshield washer nozzle connecting tube (A).

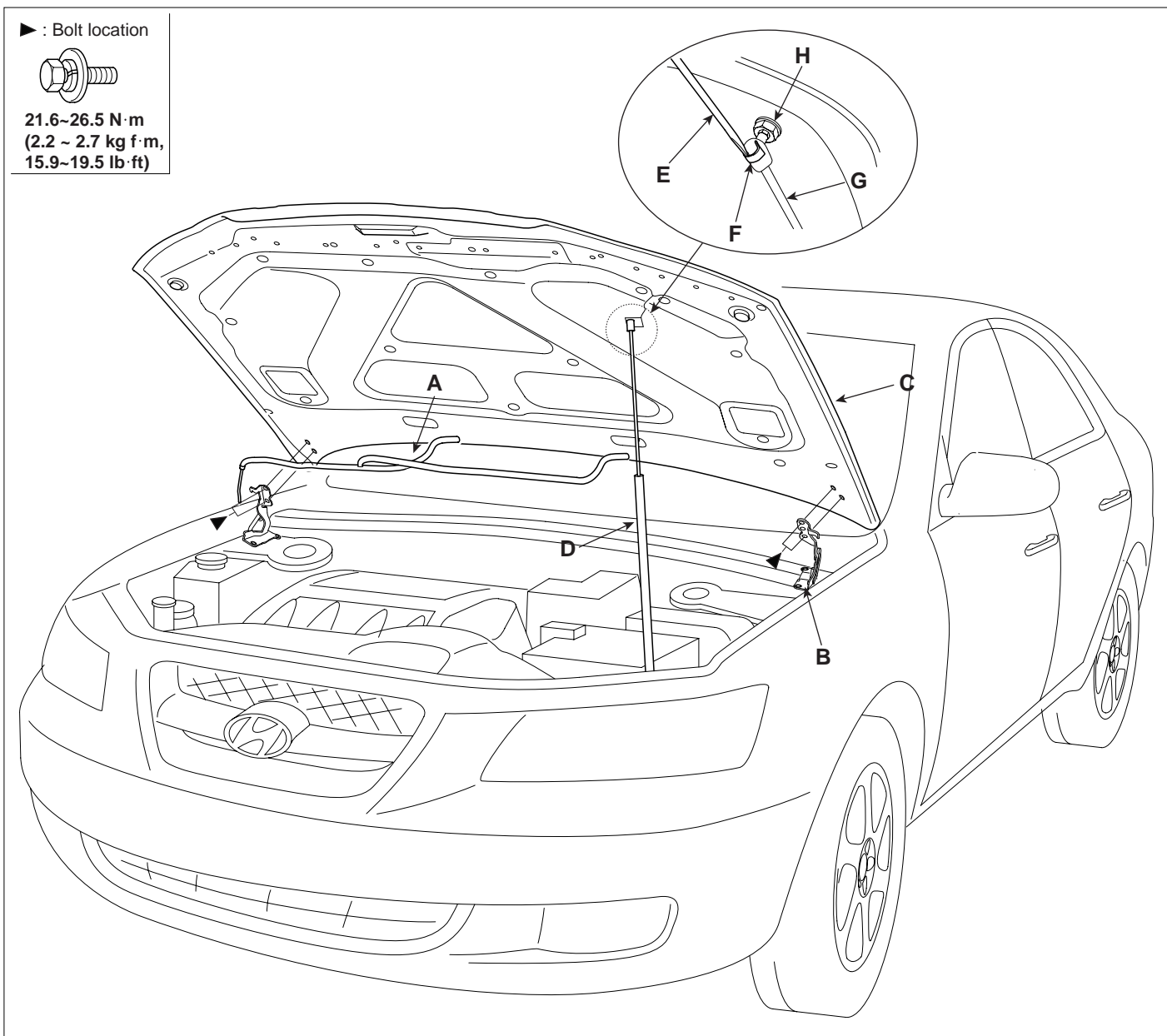
2. After loose the hood hinge (B) mounting bolts, remove the hood (C).

3. Using a screwdriver (E), lift up slightly the socket clips (F) of both ends on the lifter (G), and then remove the lifter from the bracket (H).

4. Installation is the reverse of removal.

 **NOTE**

- Make sure the hood opens properly and locks securely.
- Adjust the hood alignment (See page BD-13).



LSRE050A

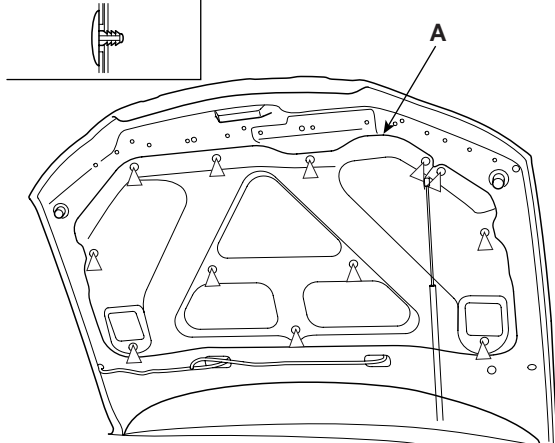
HOOD INSULATOR REPLACEMENT

1. Using a clip remover, detach the clips, and remove the hood insulator (A).

NOTE

- Take care not to scratch the hood panel.

▷ : Clip location, 12



LSRE050B

2. Installation is the reverse of removal.

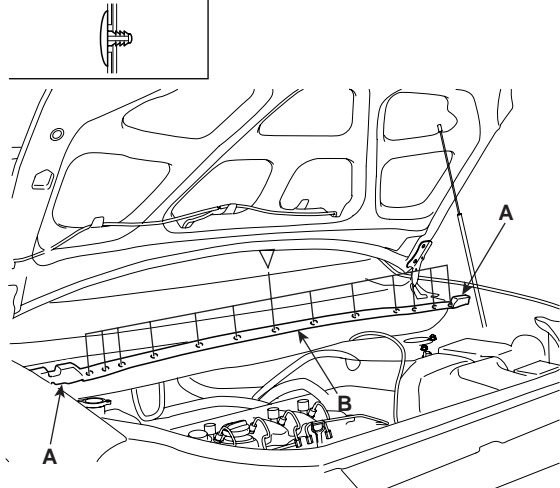
NOTE

- Replace any damaged clips.

HOOD SEAL WEATHERSTRIP REPLACEMENT

1. Detach the clips, then remove the hood weatherstrip(A).
Take care not to scratch the hood.

▷ : Clip location, 12



LSRE050C

2. Installation is the reverse of removal.

NOTE

- Replace any damaged clips.

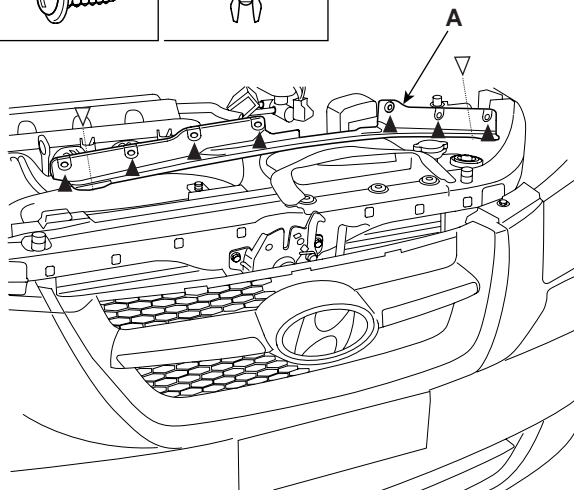
HOOD LATCH REPLACEMENT

1. Remove the radiator guard (A).

Fastener Locations

▶ : Screw, 7

▷ : Clip, 2



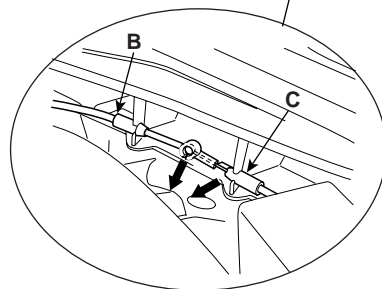
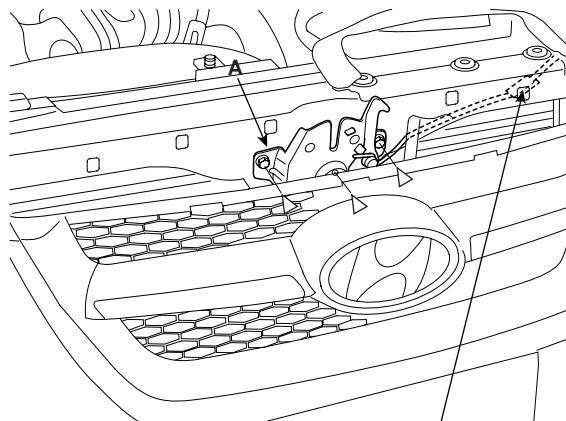
LSRE050D

2. Remove the hood latch (A) mounting bolts.

3. Disconnect the hood latch cable (B) and release cable (C).

▷ : Bolt location, 3

6.9~10.8 N·m
(0.7~0.9 kgf·m,
5.1~6.5 lb·ft)



LSRE050E

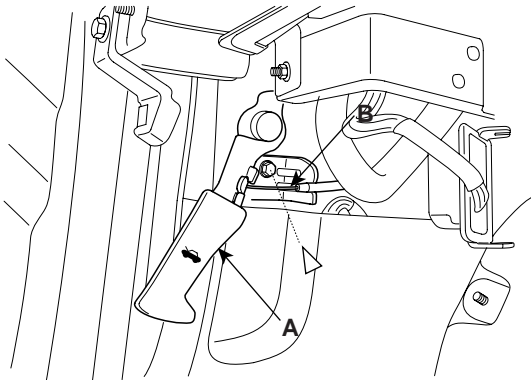
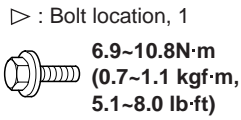
4. Installation is the reverse of removal.

 **NOTE**

- Make sure the hood latch cable is connected properly.
- Make sure the hood locks securely.

HOOD RELEASE HANDLE REPLACEMENT

1. Remove the mounting bolt, then remove the hood release handle (A).
2. Disconnect the hood latch cable (B) from the hood release handle. Take care not to bend the cable.



LSRE050F

3. Installation is the reverse of removal.

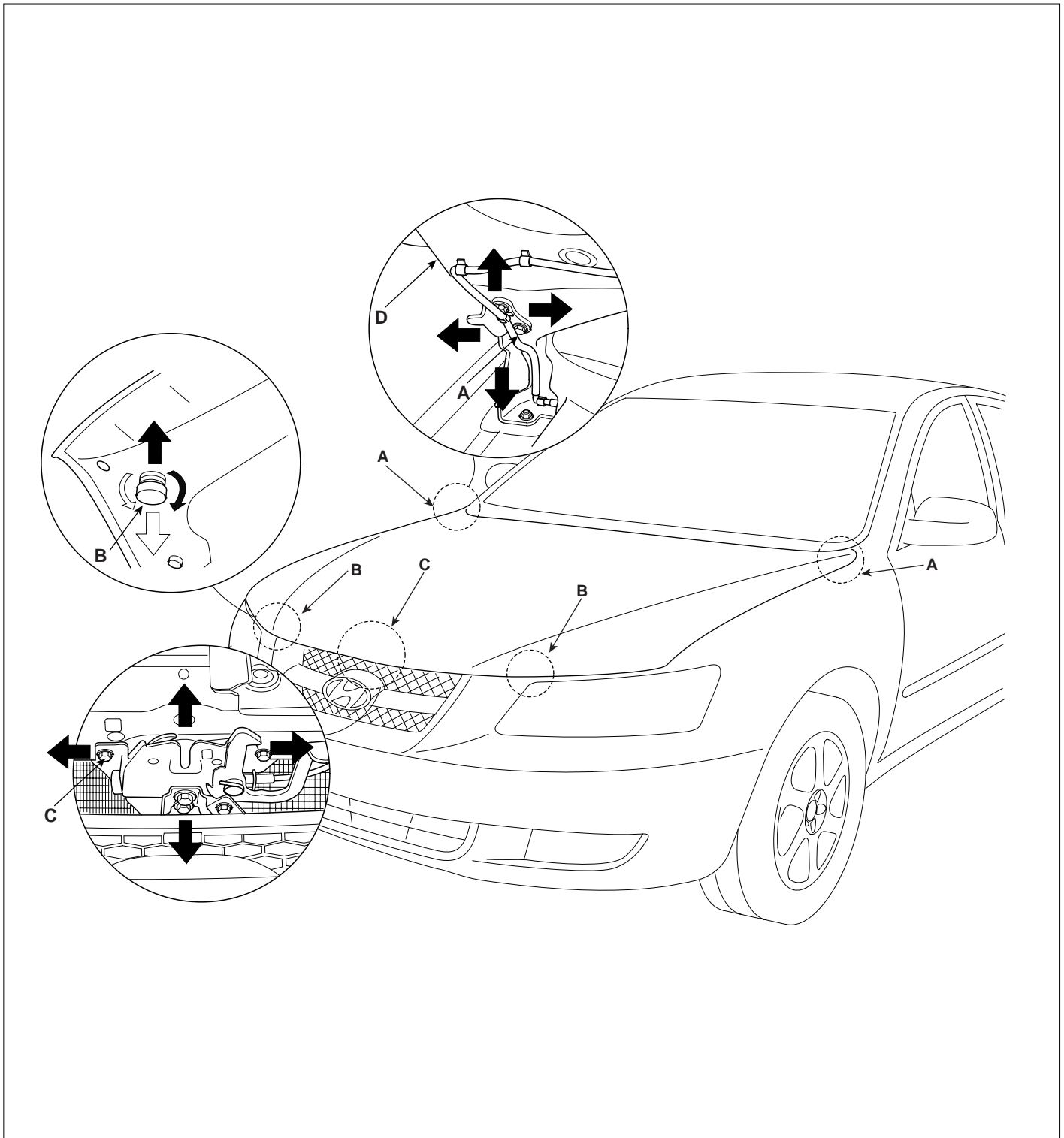
 **NOTE**

- Make sure the hood latch cable is connected properly.
- Make sure the hood locks securely.

ADJUSTMENT E2C75271

ADJUST HOOD

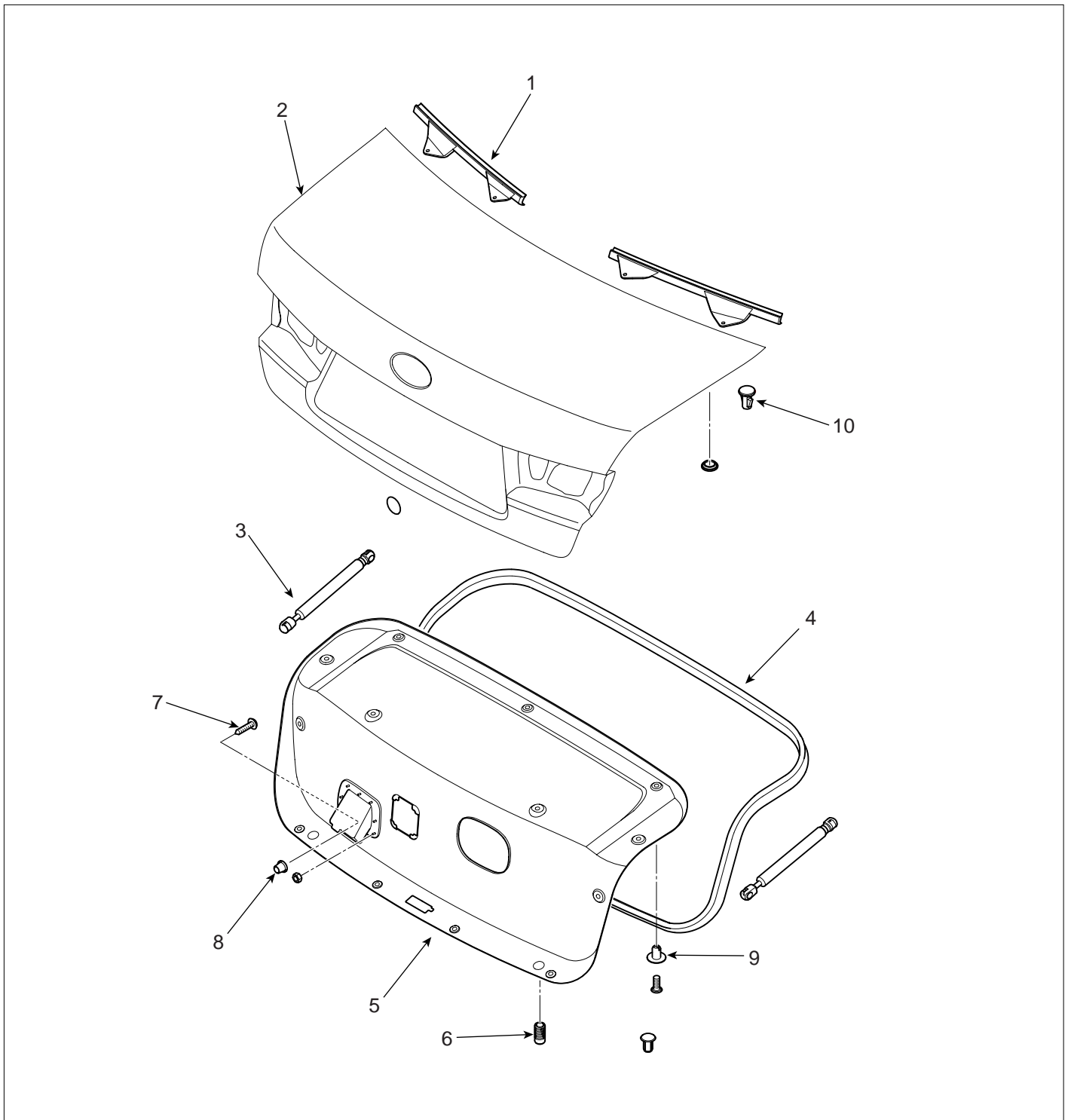
1. After loosening the hinge (A) mounting bolt, adjust the hood (D) by moving it up or down, or right or left.
2. Adjust the hood height by turning the hood overslam bumpers (B).
3. After loosening the hood latch (C) mounting bolts, adjust the latch by moving it up or down, or right or left.



LSRE050G

TRUNK LID

COMPONENTS E0A5D8F0



1. Trunk seal
2. Trunk lid
3. Lift

4. Trunk lid weatherstrip
5. Trunk lid trim
6. Overslam bumper

7. Screw
8. Screw glow met
9. Bumper cover mounting retainer
10. Trunk lid hinge stop clip

LSRE061A

REPLACEMENT E8660A49

TRUNK LID TRIM REPLACEMENT

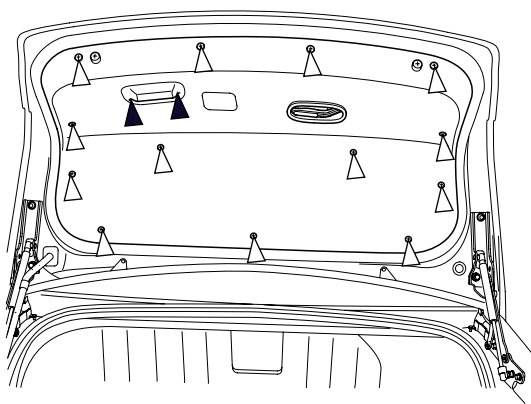
 NOTE

- When removing and installing the trunk lid, an assistant is necessary.
- Wear gloves to protect hands from injury.

Fastener Locations

▷ : Clip, 13

▶ : Screw, 2




LSRE060A

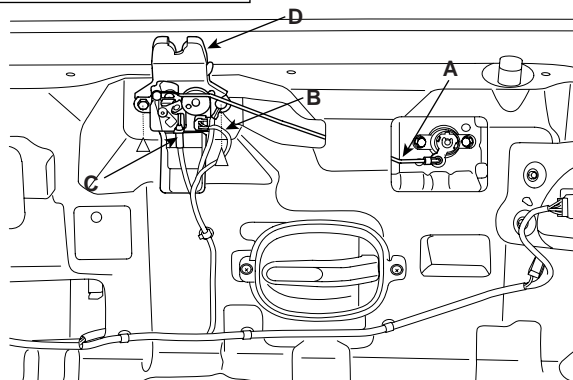
1. Installation is the reverse of removal.

TRUNK LID LATCH REPLACEMENT

1. Remove the trunk lid trim (See page BD-15).
2. Disconnect the key cylinder (A), connector (B) and cable (C).
3. After loosening the mounting bolt, then remove the latch assembly (D).

▷ : Bolt location, 2

 6.9~10.8 N·m
(0.7~1.1 kgf·m,
5.1~8.0 lb·ft)



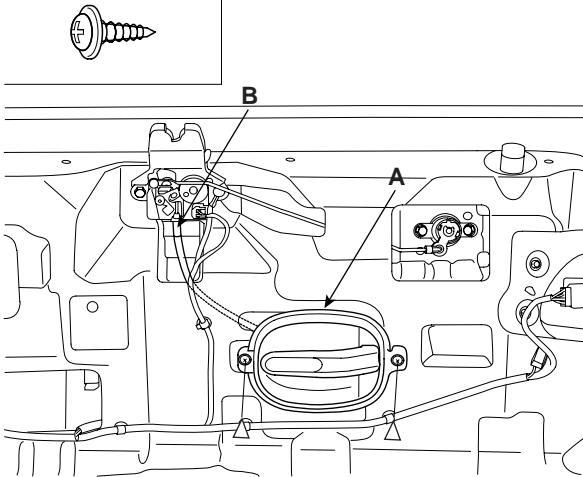
LSRE060B

4. Installation is the reverse of removal.

TRUNK LID INSIDE HANDLE

1. Disconnect the inside handle cable (B).
2. After loosening the inside handle mounting screws, then remove the inside handle (A).

▷ : Screw location, 2



LSRE060C

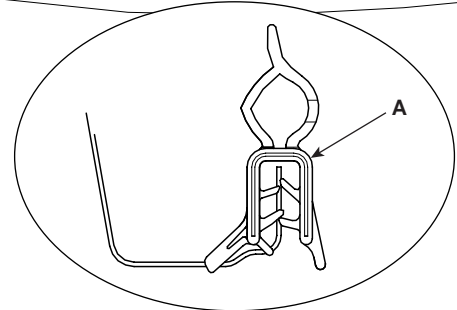
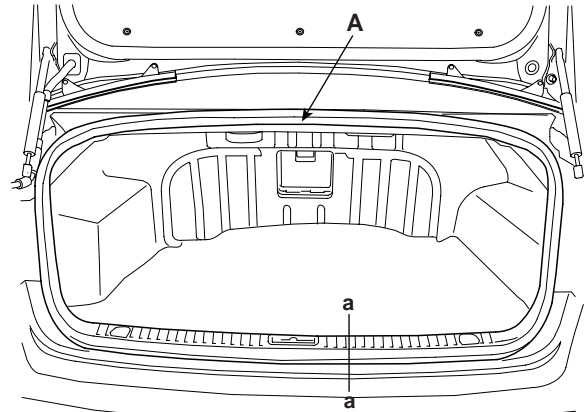
3. Installation is the reverse of removal.

NOTE

- Make sure the trunk lid latch cable is connected properly.
- Make sure the trunk lid opens properly and locks securely.

TRUNK LID WEATHERSTRIP REPLACEMENT

1. Remove the trunk lid weatherstrip (A).



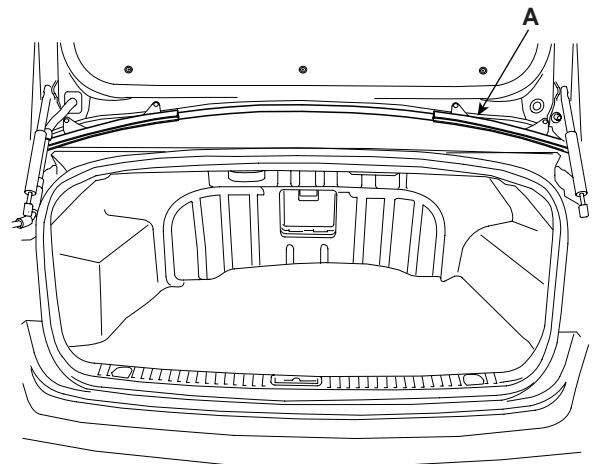
a - a

LSRE060D

2. Installation is the reverse of removal.

TRUNK LID SEAL WEATHERSTRIP REPLACEMENT

1. Detach the clips, then remove the trunk lid weatherstrip (A).



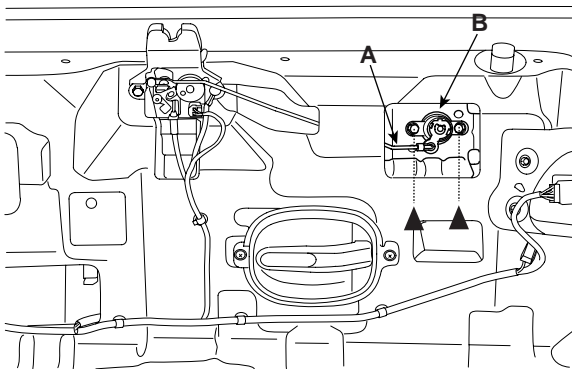
LSRE060E

2. Installation is the reverse of removal.

KEY HOLDER REPLACEMENT

1. Remove the trunk lid trim (See page BD-15).
2. After loosening the mounting bolts, disconnect the connector (A).
3. Remove key holder (B).

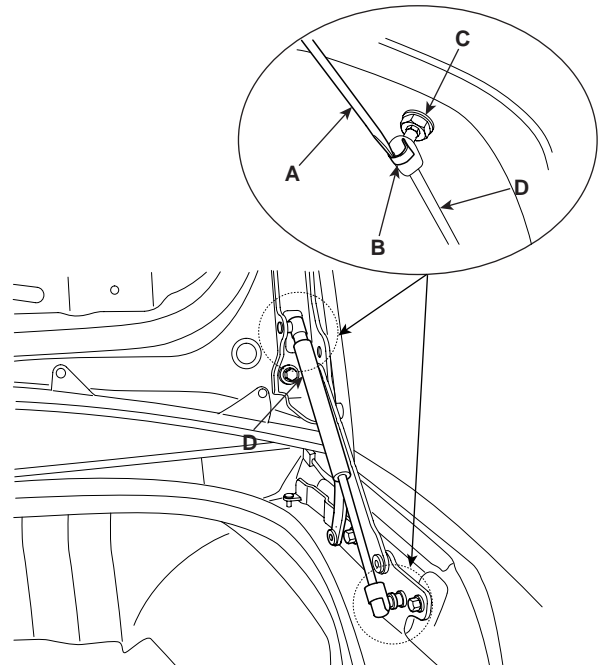
▶ : Bolt location, 2
6.9~10.8 N·m
(0.7~0.9 kgf·m,
5.1~6.5 lb·ft)



LSRE060F

TRUNK LID LIFT REPLACEMENT

1. Using a screwdriver (A), lift up slightly the socket clips (B) of both ends on the lifter (C), and then remove the lifter from the bracket (D).

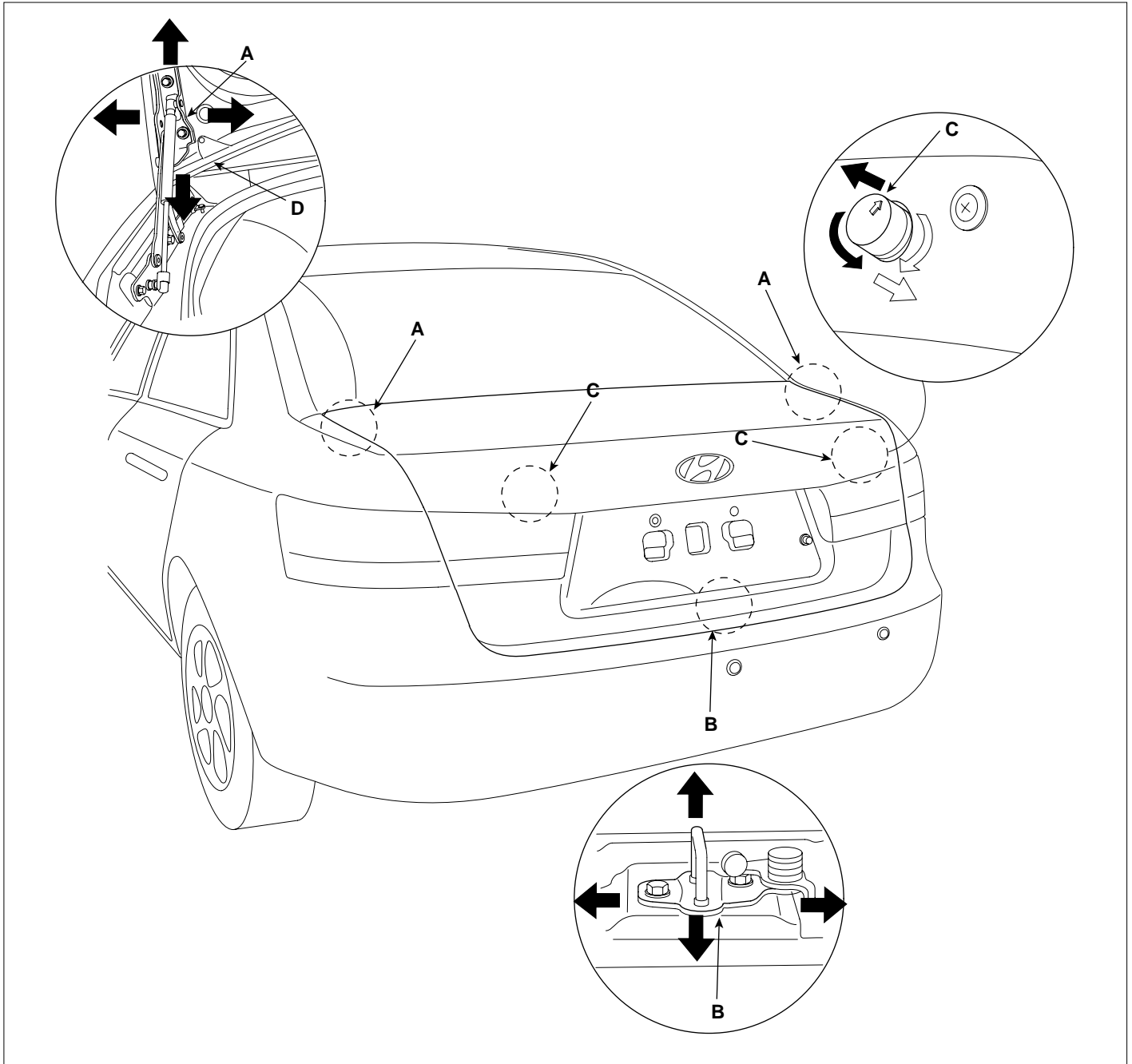


LSRE060G

2. Push the socket of the lifter into the bracket for installation.

ADJUSTMENT E19E3805

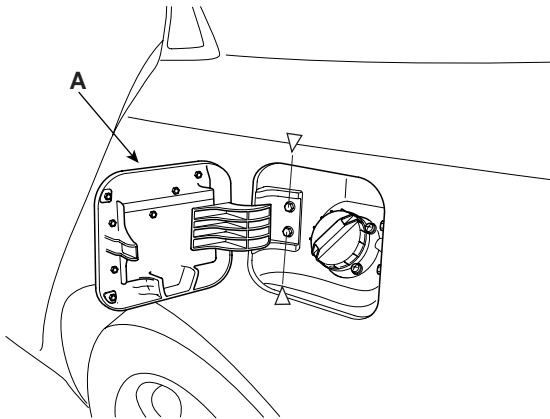
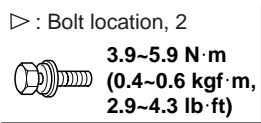
1. After loosening the trunk lid hinge (A) mounting bolt, adjust the hood (D) by moving it up or down, or right or left.
2. Adjust the trunk lid height by turning the trunk lid over-slam bumpers (C).
3. After loosening the trunk lid latch (B) mounting bolts, adjust the trunk lid latch by moving it up or down, or right or left.



LSRE060H

FUEL FILL DOOR REPLACEMENT

1. Loosen the bolts, then remove the fuel filler door (A).

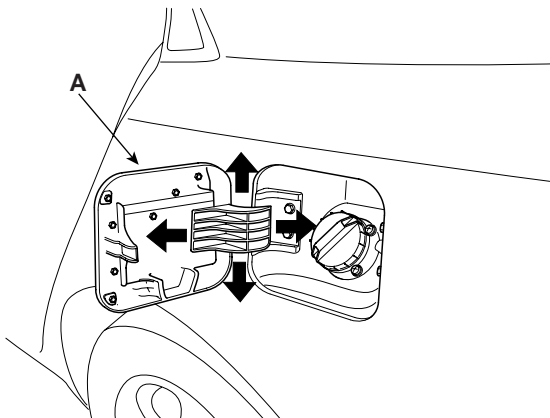


LSRE150A

2. Installation is the reverse of removal.

 **NOTE**

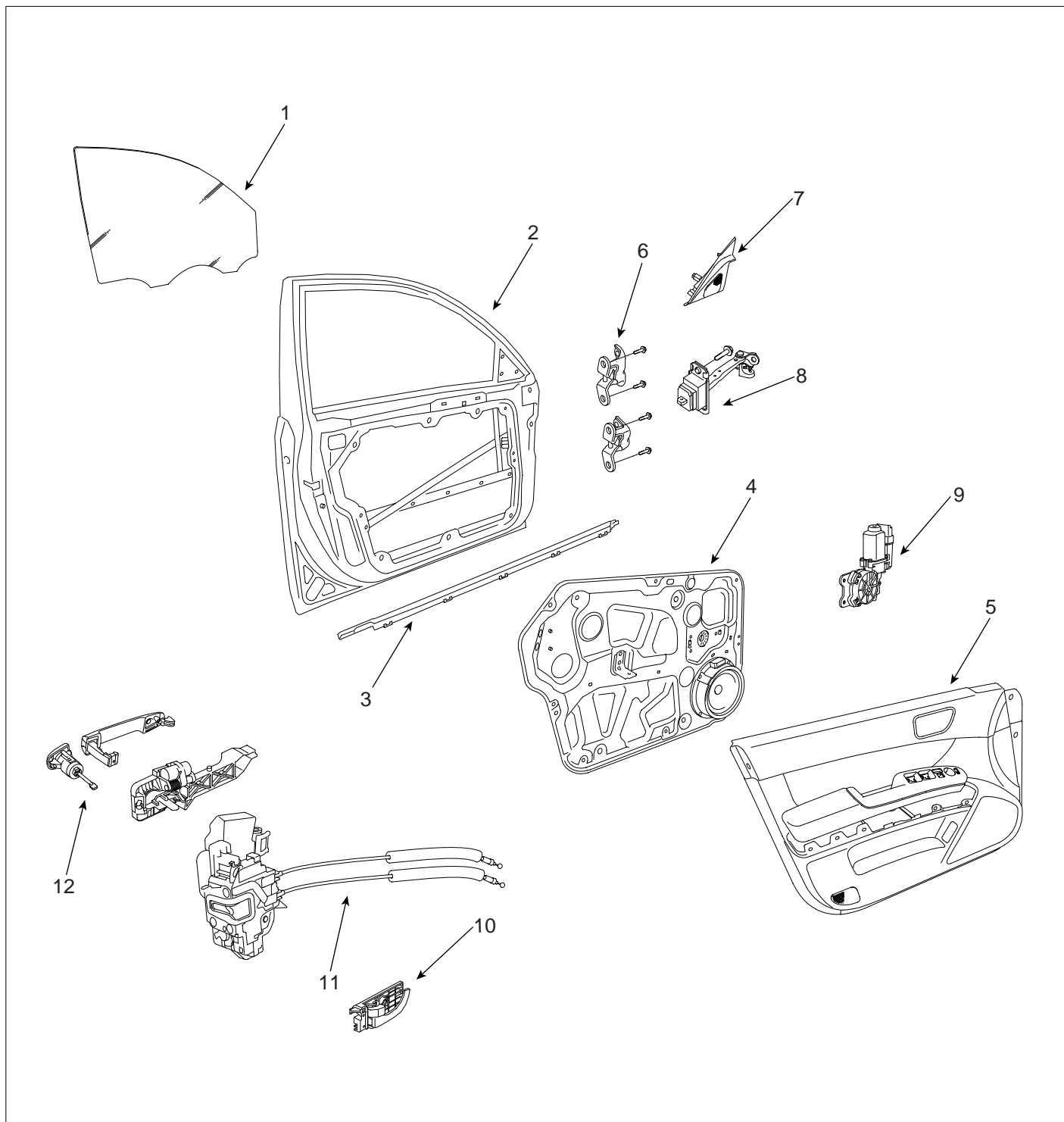
- Make sure the fuel fill door opens properly and locks securely.
3. Check that the fuel fill door (A) fit flush against the body.
If necessary, adjust it.



LSRE150B

FRONT DOOR

COMPONENTS E513D962



- 1. Front door glass
- 2. Front door panel
- 3. Door belt weatherstrip
- 4. Front door module

- 5. Front door trim
- 6. Door hinge
- 7. Quadrant inner cover
- 8. Front door checker

- 9. Power window motor
- 10. Inside handle
- 11. Latch assemble
- 12. Key cylinder

LSRE320A

REPLACEMENT E2CA0C9D

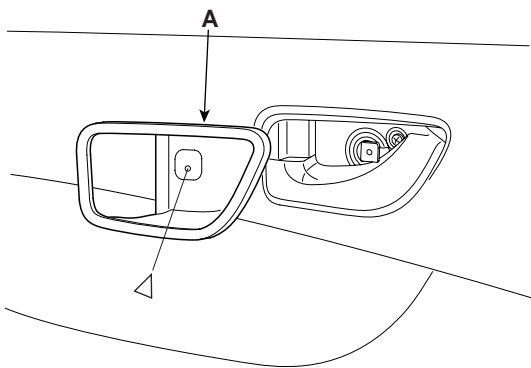
FRONT DOOR TRIM REPLACEMENT

 **NOTE**

- Take care not to scratch the door trim and other parts.
- Put on gloves to protect your hands.

1. Remove the quadrant inner cover (See page BD-47).
2. Remove the inside handle cover (A).

▷ : Screw location, 1



LSRE330B

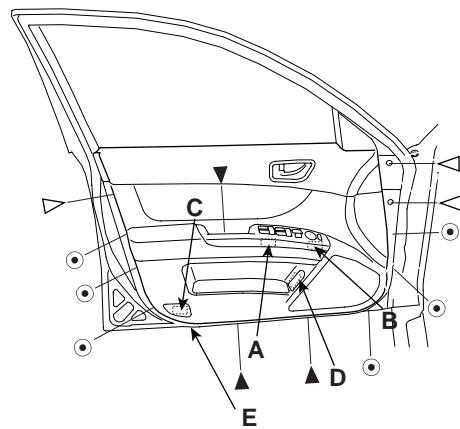
3. Loosen the door trim (E) mounting screws. Release the clips that hold the door trim, then remove the door trim by pulling it upward. Disconnect the power window switch connector(A), power mirror connector (B), and door courtesy lamp connector(C), trunk lid connector (D).

Fastener Locations

▷ : Screw, 3

▶ : Screw, 3

○ : Clip, 6



LSRE320D

4. Installation is the reverse of removal.

 **NOTE**

- Make sure of connectors is plugged in properly and each rod is connected securely.
- Make sure the door lock and opens properly.

GLASS REPLACEMENT

NOTE

- Put on gloves to protect your hands.

1. Remove the front door trim (See page BD-21).

NOTE

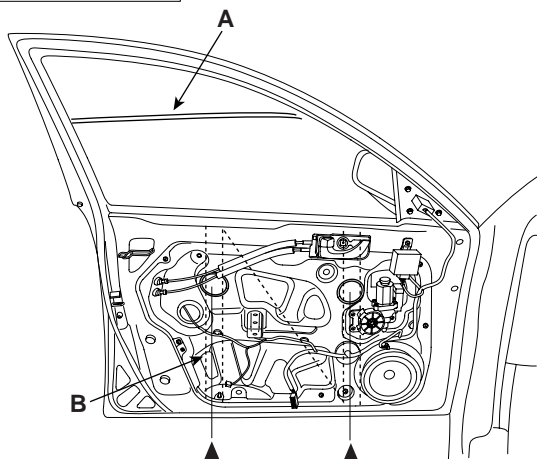
- Using the door switch to align the mounting hole with the hole on the door glass.
- If it is impossible, align the hole with hands after removing the motor.

2. Carefully move the glass (A) until you can see the bolts, then loosen them. Separate the glass from the glass run and carefully pull the glass out through the window slot (B).

CAUTION

- Take care not to drop to glass and scratch the glass surface.

▶ : Bolt location, 2



LSRE320E

3. Installation is the reverse of removal.

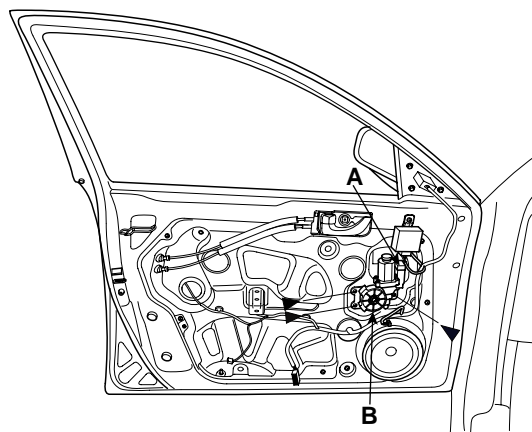
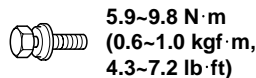
NOTE

- Roll the glass up down to see if it move freely without binding.
- Adjust the position of the glass as necessary (See page BD-27).

POWER WINDOW MOTOR REPLACEMENT

1. Remove the front door trim (See page BD-21).
2. After disconnecting the connector (A), remove the power window motor (B).

▶ : Bolt location, 3



LSRE320G

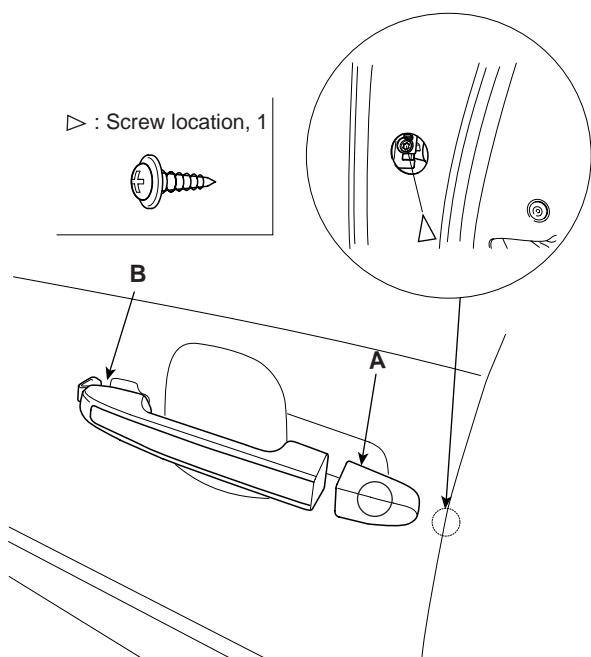
3. Installation is the reverse of removal.

NOTE

- Roll the glass up down to see if it move freely without binding.

OUT SIDE HANDLE REPLACEMENT

1. Remove the following parts.
 - Remove the front door trim (See page BD-21).
 - Remove the glass (See page BD-22).
 - Remove inside handle (See page BD-25).
2. After disconnecting the cover (A), remove the outside handle base (B).

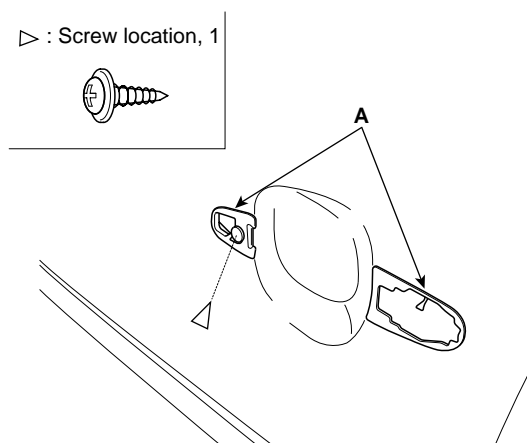


LSRE320Y

3. Remove door module (See page BD-24).
4. Installation is the reverse of removal.

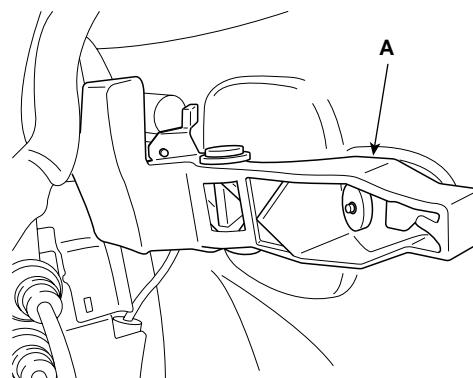
FRONT DOOR LATCH REPLACEMENT

1. Remove the following parts.
 - Remove the front door trim (See page BD-21).
 - Remove the glass (See page BD-22).
 - Remove the inside handle (See page BD-25).
 - Remove the door module (See page BD-24).
2. Remove the outside handle (See page BD-23).
3. Remove the outside handle pad (A).



LSRE430B

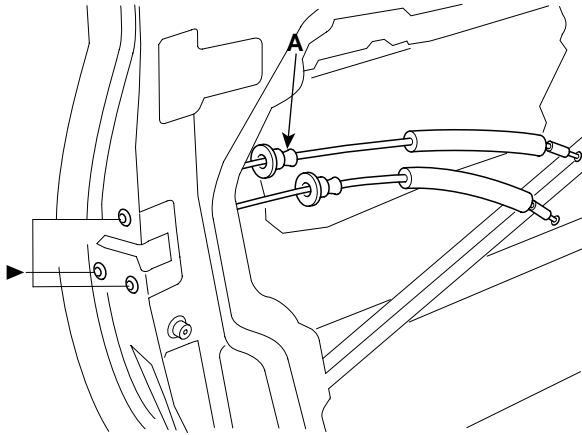
4. Remove the outside handle base (A).



LSRE430A

5. After loose the latch mounting bolts, remove the front door latch (A).

▶ : Screw location, 3



LSRE330G

6. Installation is the reverse the removal.

 **NOTE**

- Make sure the door lock and opens properly.

FRONT DOOR MODULE

1. Remove the front door trim (See page BD-21).
2. Remove the glass (See page BD-22).
3. Remove the inside handle (See page BD-25).
4. Remove the outside handle (See page BD-23).
5. After loose the door module mounting bolts, remove the door module (A).

Fastener Locations

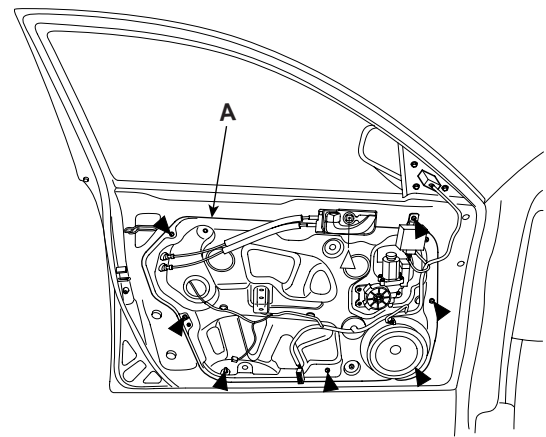
▷ : Screw, 1



▶ : Bolt, 7



6.9~8.8 N · m
(0.7~0.9 kgf · m,
5.1~6.5 lb · ft)



LSRE320K

6. Installation is the reverse of removal.

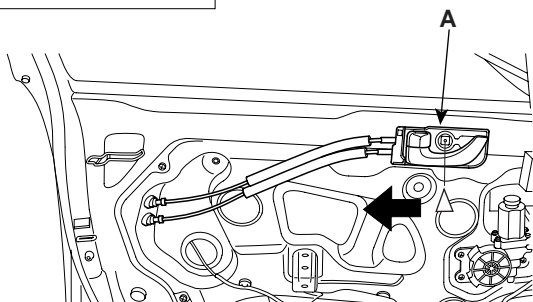
 **NOTE**

- Make sure the connector is plugged in properly and each rod is connected securely.
- Make sure the door lock and open properly.

INSIDE HANDLE REPLACEMENT

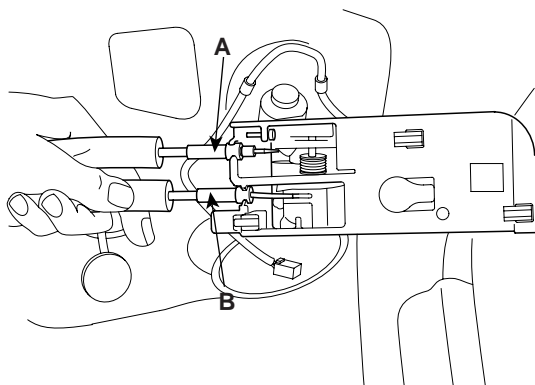
1. Remove the front door trim (See page BD-21).
2. Loosen the inside handle (A) mounting screw. Push the inside handle rearward to disconnect from the door module.

▷ : Screw location, 1



LSRE320C

3. Disconnect the lock cable and (A) inside connect cable (B).



LSRE330K

4. Installation is the reverse of removal.

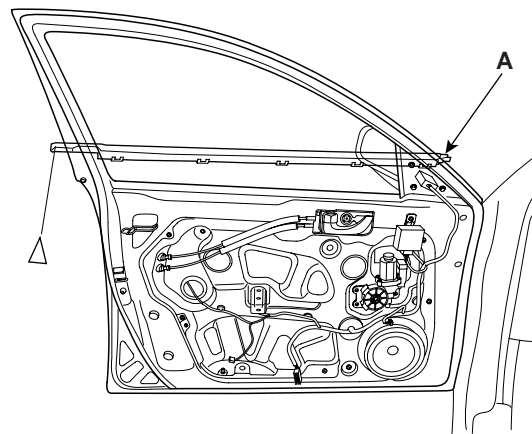
NOTE

- Make sure the door lock and open properly.

DOOR BELT WEATHERSTRIP REPLACEMENT

1. Remove the front door trim (See page BD-21).
2. Release the hook (A), and then remove the door belt weatherstrip (B).

▷ : Screw location, 1

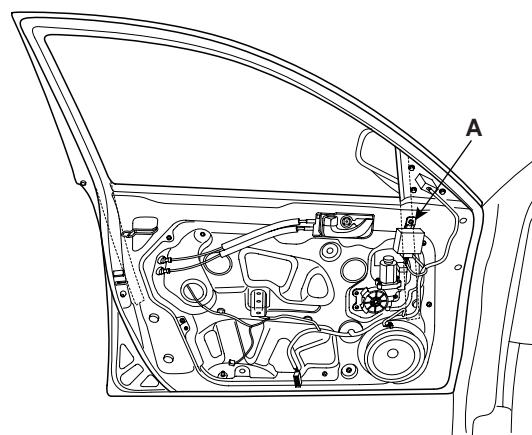


LSRE3210

3. Installation is the reverse of removal.

GLASS RUN REPLACEMENT

1. Remove the front door trim (See page BD-21).
2. Remove the glass (See page BD-22).
3. Remove the glass run channel (A) from the lower part.

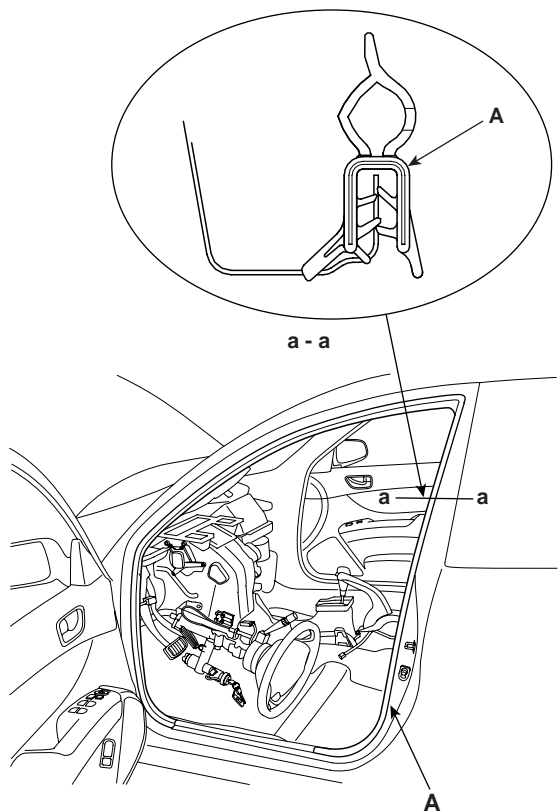


LSRE3200

4. Installation is the reverse of removal.

BODY WEATHERSTRIP REPLACEMENT

1. Release the clips then remove the body weatherstrip(A).



LSRE320P

2. Installation is the reverse the removal.

ADJUSTMENT E14085BA

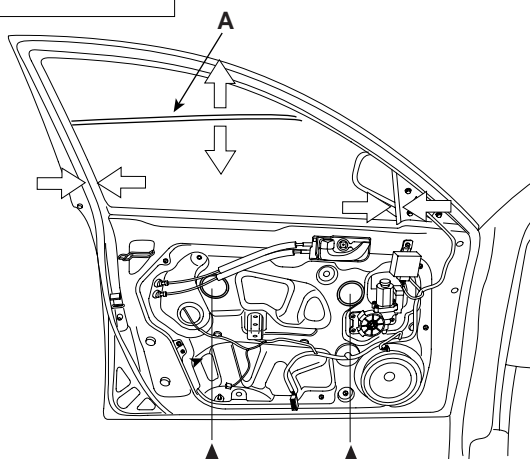
GLASS ADJUSTMENT

 **NOTE**

- Check the glass run channel for damage or deterioration, and replace them necessary.

1. Remove the following parts.
 - Quadrant cover (See page BD-47).
 - Door trim (See page BD-21).
2. Carefully move the glass (A) until you can see the glass mounting bolts(B), then loosen them.

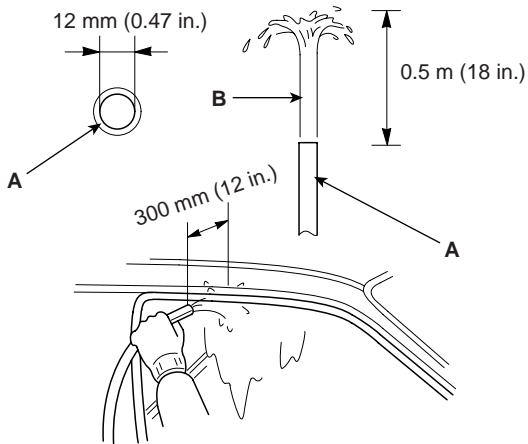
▶ : Bolt location, 2



LSRE320Z

3. Push the glass (A) against the channel (C), then tighten the glass mounting bolts.
4. Check that the glass moves smoothly.
5. Raise the glass fully, and check for gaps. Check that the glass contacts the glass run channel evenly.

6. Check for water leaks. Run water over the roof and on the sealing area as shown, and note these items:
- Use a 12mm (1/2in.) diameter hose (A).
 - Adjust the rate of water flow as shown (B).
 - Do not use a nozzle.
 - Hold the hose about 300mm(12in.) away from the door (C).

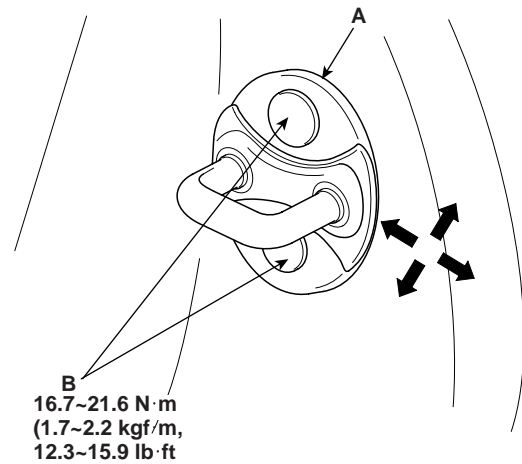


LSRE003L

DOOR STRIKER ADJUSTMENT

Make sure the door latches securely without slamming it. If necessary, adjust the striker (A): The strike nuts are fixed. The strike can be fine adjusted up or down, and in or out.

1. Loosen the screws (B), then insert a shop towel between the body and striker.



LSRE320R

2. Lightly tighten the screws.
3. Wrap the striker with a shop towel, then adjust the striker by tapping it with a plastic hammer. Do not tap the striker too hard.
4. Loosen the screws and remove the shop towel.
5. Lightly tighten the screws.
6. Hold the outer handle out, and push the door against the body to be sure the striker allows a flush fit. If the door latches properly, tighten the screws and recheck.

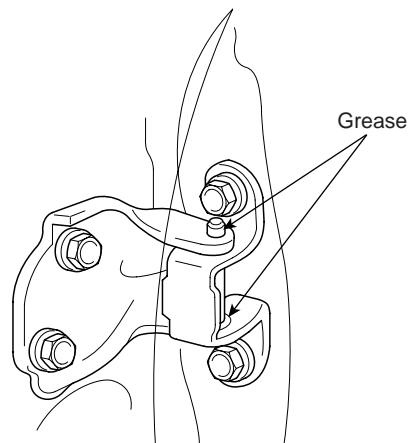
DOOR POSITION ADJUSTMENT

NOTE

After installing the door, check for a flush fit with the Body, then check for equal gaps between the front, rear, and bottom, door edges and the body. Check that the door and body edges are parallel. before adjusting, replace the mounting bolts.

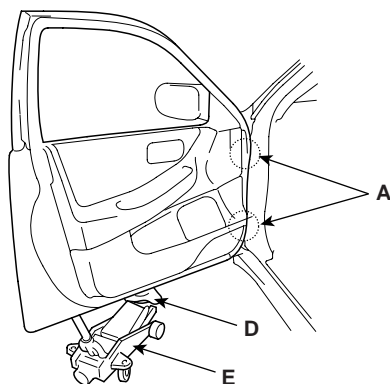
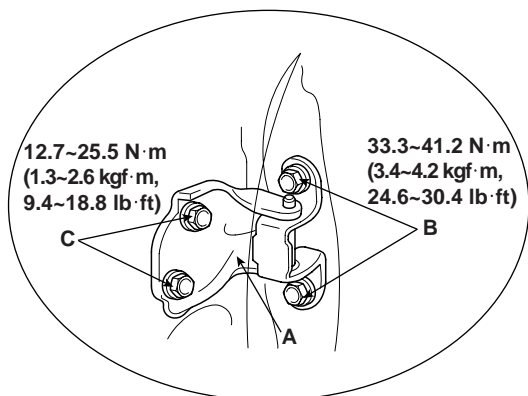
1. Place the vehicle on a firm, level surface when adjusting the doors.
2. Adjust at the hinges (A):
 - Loosen the door mounting bolts (B) slightly, and move the door IN or OUT until it aligns flush with the body.
 - Loosen the hinge mounting bolts (C) slightly, and move the door BACKWARD or FORWARD, UP or DOWN as necessary to equalize the gaps.
 - Place a shop towel (D) on the jack (E) to prevent damage to the door when adjusting the door.
3. Check that the door and body edges are parallel.

4. Grease the pivot portions of the hinges indicated by the arrows.



LSRE320T

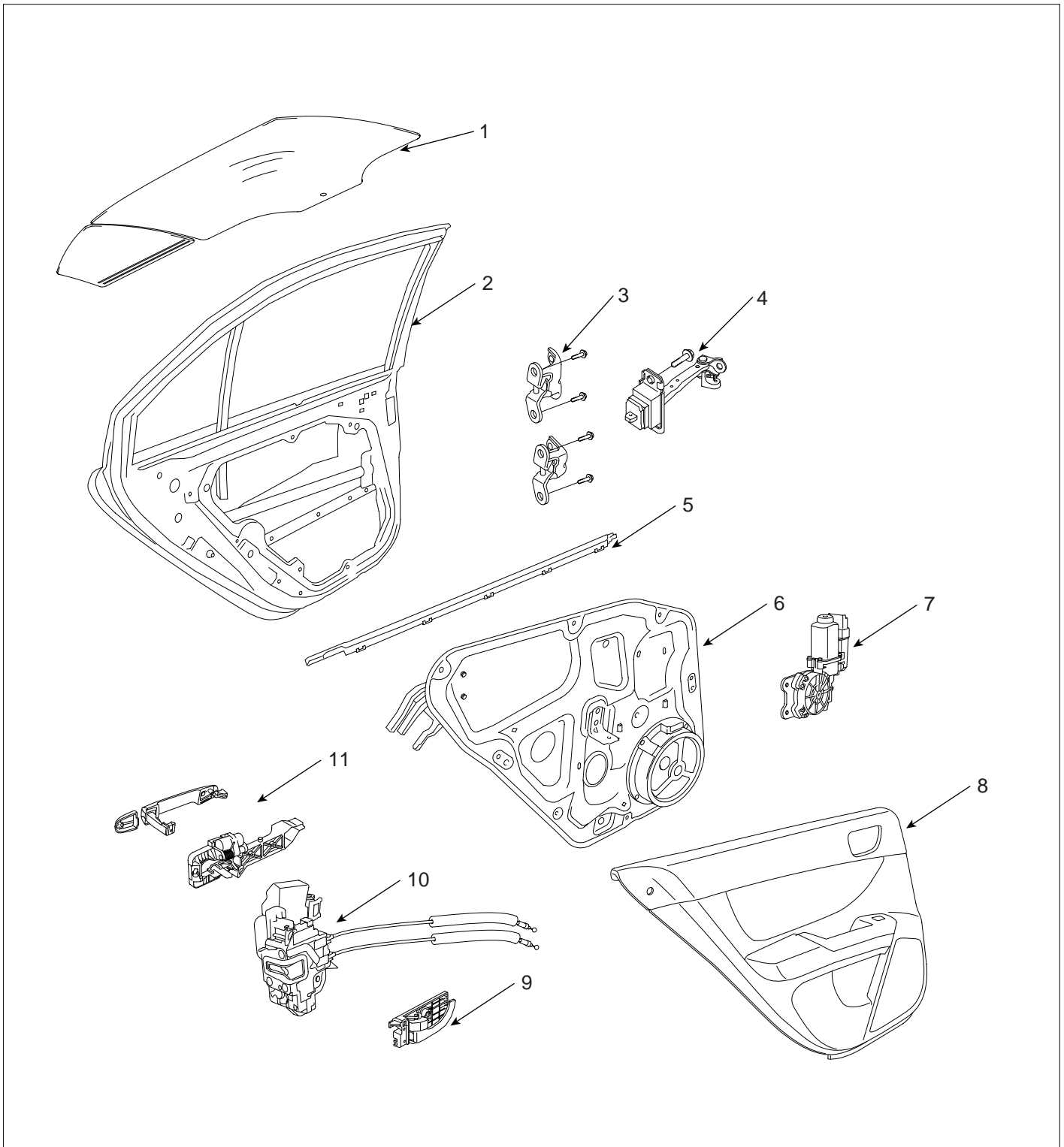
5. Check for water leaks (See page BD-27).



LSRE320S

REAR DOOR

COMPONENTS E10BE569



- 1. Door glass
- 2. Rear door panel
- 3. Door hinge
- 4. Door checker

- 5. Door belt weatherstrip
- 6. Door module
- 7. Power window motor
- 8. Door trim

- 9. Inside handle
- 10. Latch assemble
- 11. Out side handle

LSRE330A

REPLACEMENT

E3BDA071

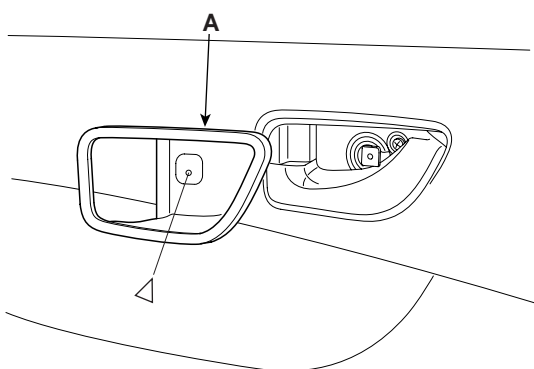
REAR DOOR TRIM REPLACEMENT

NOTE

- Take care not to scratch the door trim and other parts.
- Put on gloves to protect your hands.

1. Remove the inside handle cover (A).

▷ : Screw location, 1



LSRE330B

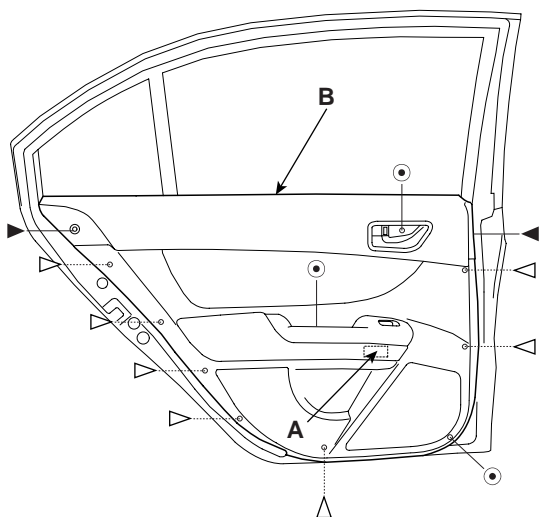
2. Loosen the door trim (B) mounting screws. Release the clips that hold the door trim, then remove the door trim by pulling it upward. Disconnect the power window switch connector(A).

Fastener Locations

▶ : Screw, 2

▷ : Clip, 7

○ : Screw, 3



LSRE330C

3. Installation is the reverse of removal.

NOTE

- Make sure of connectors is plugged in properly and each rod is connected securely.
- Make sure the door lock and opens properly.

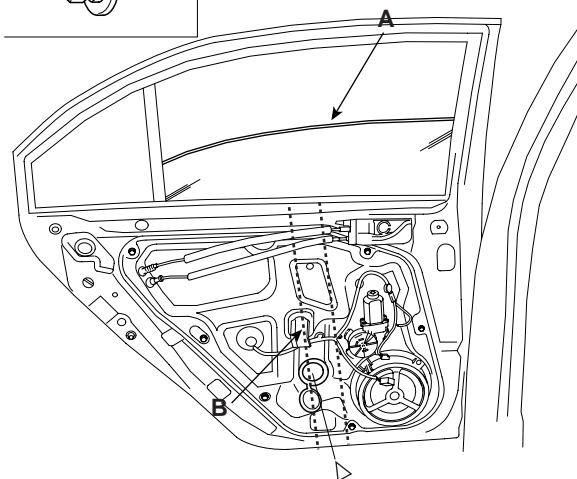
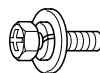
GLASS REPLACEMENT

NOTE

- Put on gloves to protect your hands.

1. Remove the rear door trim (See page BD-30).
2. Carefully move the glass (A) until you can see the bolts, then loosen them. Separate the glass from the glass run and carefully pull the glass out through the window slot (B).

▷ : Bolt location, 1



LSRE330D

CAUTION

Take care not to drop to glass and scratch the glass surface.

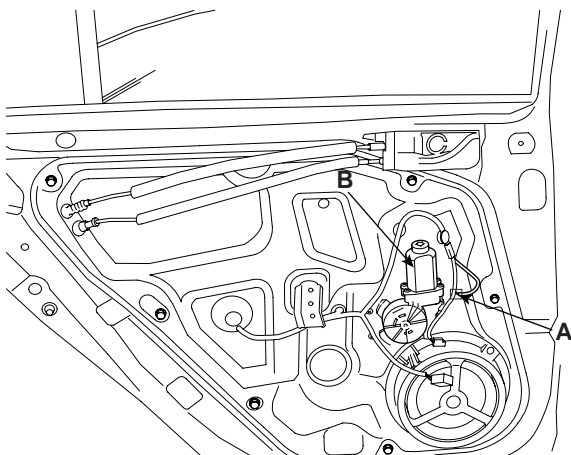
3. Installation is the reverse of removal.

NOTE

- Roll the glass up down to see if it move freely without binding.
- Adjust the position of the glass as necessary (See page BD-34).

POWER WINDOW MOTOR REPLACEMENT

1. Remove the rear door trim (See page BD-30).
2. After disconnecting the connector (A), remove the power window motor(B).



LSRE330E

3. Installation is the reverse of removal.

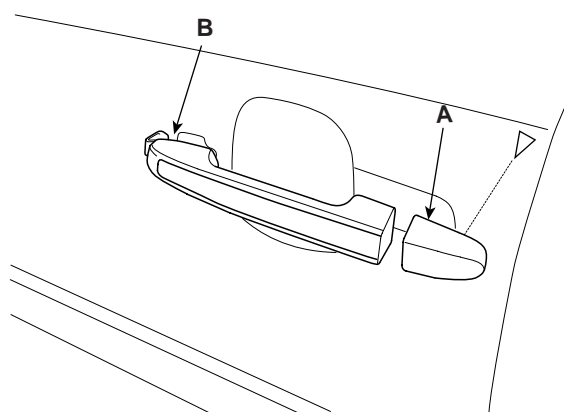
 **NOTE**

- Roll the glass up down to see if it move freely without binding.

OUT SIDE HANDLE REPLACEMENT

1. Remove the rear door trim (See page BD-30).
2. Remove the glass (See page BD-30).
3. Remove inside handle (See page BD-33).
4. After disconnecting the cover (A), remove the outside handle base(B).

▷ : Screw location, 1



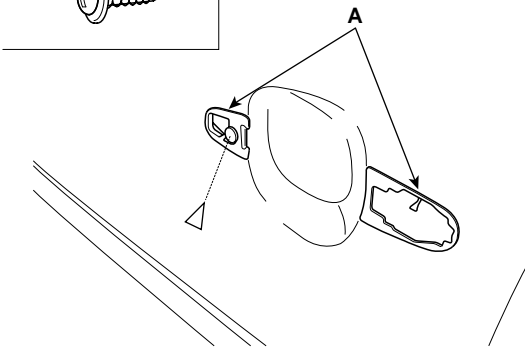
LSRE320F

5. Remove rear door module (See page BD-32).
6. Installation is the reverse of removal.

REAR DOOR LATCH REPLACEMENT

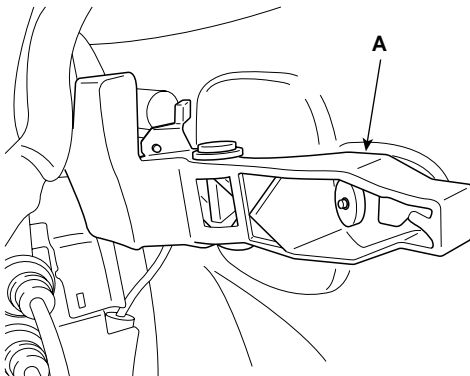
1. Remove the rear door trim (See page BD-30).
2. Remove the glass (See page BD-30).
3. Remove the inside handle (See page BD-33).
4. Remove the door module (See page BD-33).
5. Remove the out side handle (See page BD-31).
6. Remove the out side handle pad (A).

▷ : Screw location, 1



LSRE430B

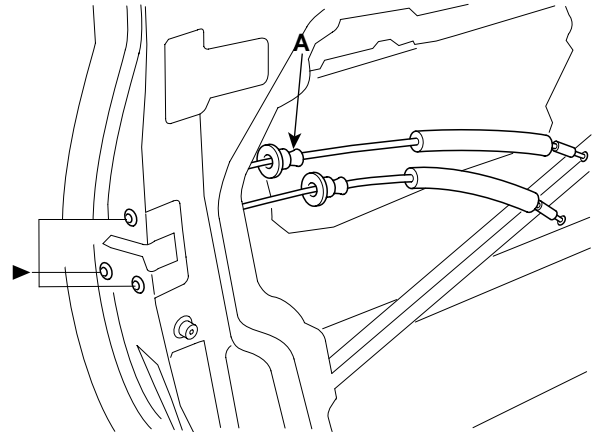
7. Remove the out side handle base (A).



LSRE430A

8. After loose the latch mounting bolts, remove the rear door latch(A).

▶ : Screw location, 3



LSRE330G

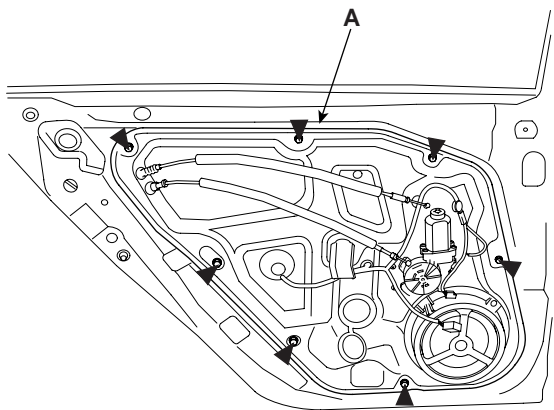
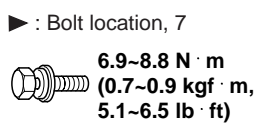
9. Installation is the reverse the removal.

NOTE

- Make sure the door lock and opens properly.

REAR DOOR MODULE REPLACEMENT

1. Remove the rear door trim (See page BD-30).
2. Remove the glass (See page BD-30).
3. Remove the inside handle (See page BD-33).
4. Remove the out side handle (See page BD-31).
5. After loose the door module mounting bolts, remove the door module (A).



LSRE330Q

6. Installation is the reverse of removal.

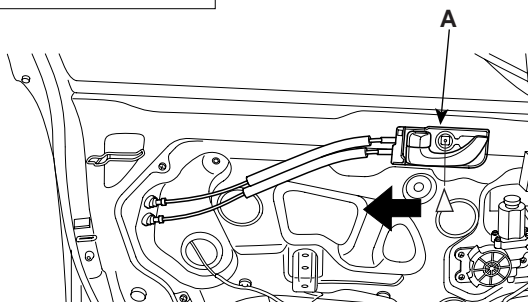
 **NOTE**

- Make sure the connector is plugged in properly and each rod is connected securely.
- Make sure the door lock and open properly.

INSIDE HANDLE REPLACEMENT

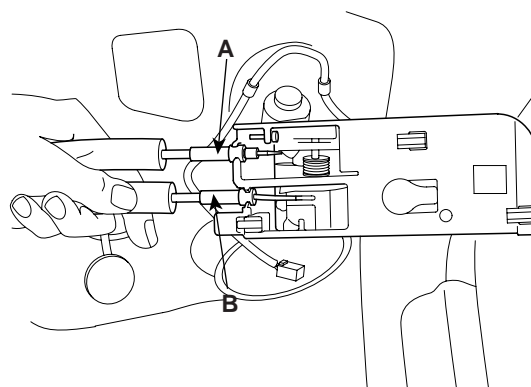
1. Remove the rear door trim (See page BD-30).
2. Loose the inside handle (A) mounting screw. Push the inside handle rearward to disconnect from the door module.

▷ : Screw location, 1



LSRE320C

3. Disconnect the lock cable and (A) inside connect cable (B).



LSRE330K

4. Installation is the reverse of removal.

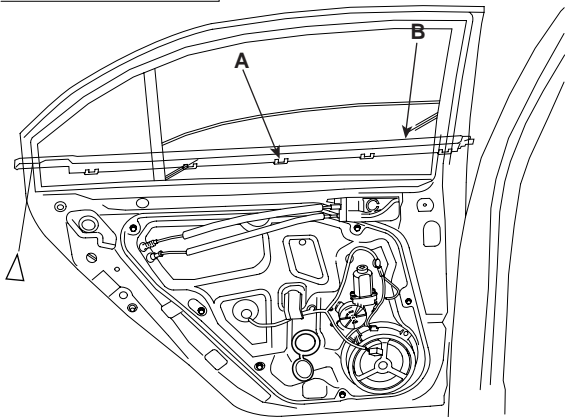
 **NOTE**

- Make sure the door lock and open properly.

DOOR BELT WEATHERSTRIP REPLACEMENT

1. Remove the rear door trim (See page BD-30).
2. Release the hook (A), and then remove the door belt weatherstrip (B).

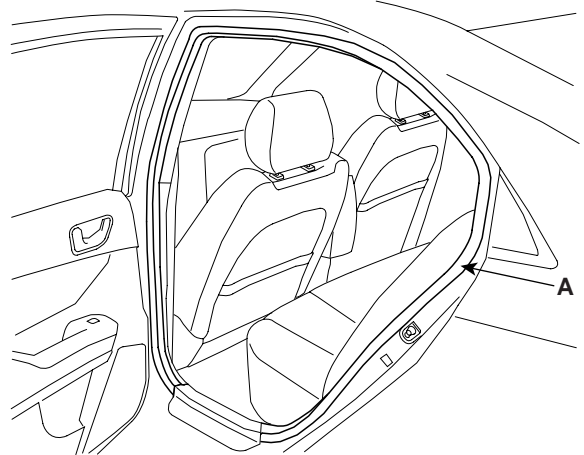
▷ : Screw location, 1



LSRE330R

BODY WEATHERSTRIP REPLACEMENT

1. Release the clips then remove the body weatherstrip (A).



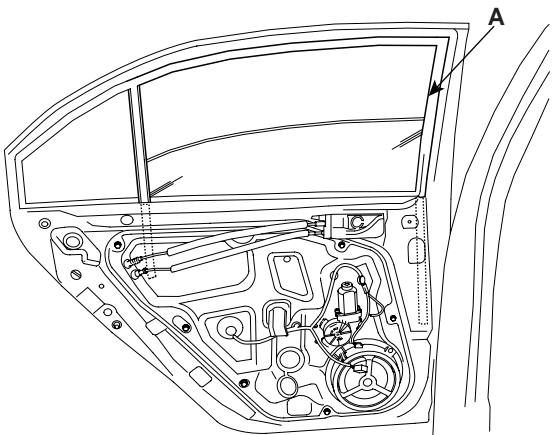
LSRE330M

3. Installation is the reverse of removal.

2. Installation is the reverse the removal.

GLASS RUN REPLACEMENT

1. Remove the rear door trim (See page BD-30).
2. Remove the glass (See page BD-30).
3. Remove the glass run channel (A) front the lower part.



LSRE330N

4. Installation is the reverse of removal.

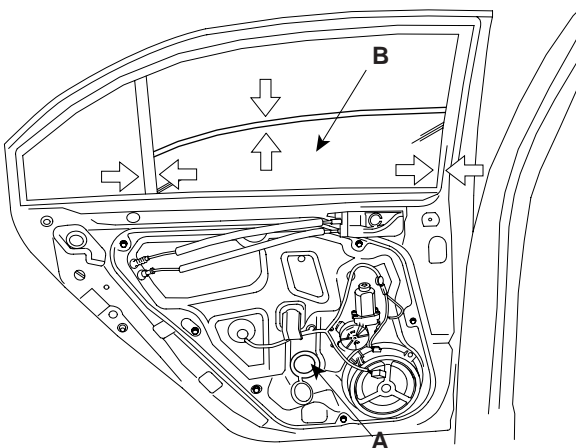
ADJUSTMENT EB3D2C1D

GLASS ADJUSTMENT

 NOTE

- Check the glass run channel for damage or deterioration, and replace them necessary.

1. Remove the following parts.
 - Door trim (See page BD-30).
2. Carefully move the glass (A) until you can see the glass mounting bolts(B), then loosen them.



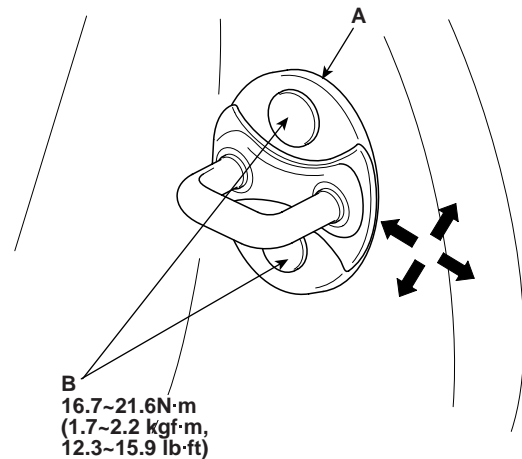
LSRE3300

3. Push the glass (A) against the channel (C), then tighten the glass mounting bolts.
4. Check that the glass moves smoothly.
5. Raise the glass fully, and check for gaps. Check that the glass contacts the glass run channel evenly.
6. Check for water leaks. Run water over the roof and on the sealing area as shown, and note these items:
 - Use a 12mm (1/2in.) diameter hose (A).
 - Adjust the rate of water flow as shown (B).
 - Do not use a nozzle.
 - Hold the hose about 300mm(12in.) away from The door (C).

DOOR STRIKER ADJUSTMENT

Make sure the door latches securely without slamming It. If necessary, adjust the striker (A): The strike nuts are fixed. The strike can be fine adjusted up or down, and in or out.

1. Loosen the screws (B), then insert a shop towel between the body and striker.



LSRE330P

2. Lightly tighten the screws.
3. Wrap the striker with a shop towel, then adjust the striker by tapping it with a plastic hammer. Do not tap the striker too hard.
4. Loosen the screws and remove the shop towel.
5. Lightly tighten the screws.
6. Hold the outer handle out, and push the door against the body to be sure the striker allows a flush fit. If the door latches properly, tighten the screws and recheck.

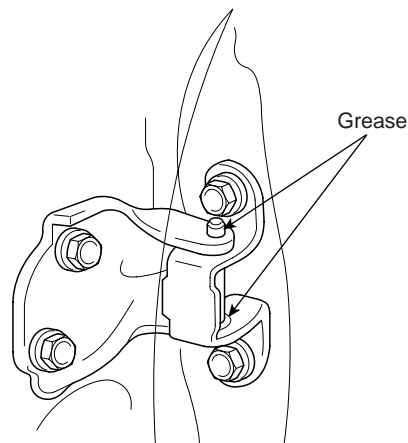
DOOR POSITION ADJUSTMENT

NOTE

After installing the door, check for a flush fit with the body, then check for equal gaps between the front, rear, and bottom, door edges and the body. Check that the door and body edges are parallel. before adjusting, replace the mounting bolts.

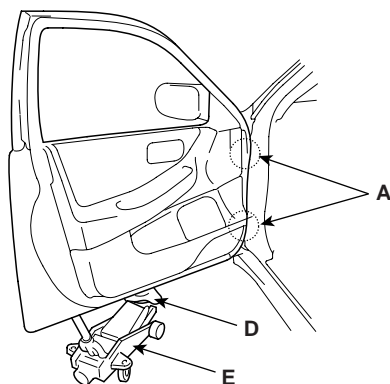
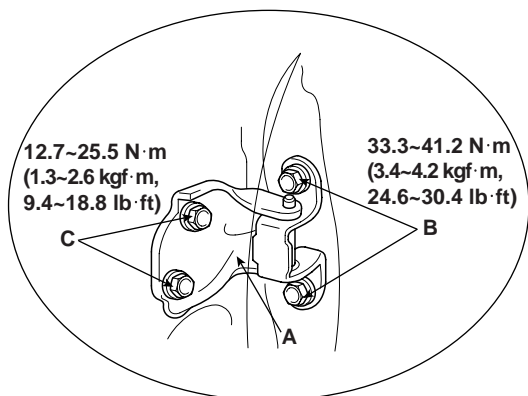
1. Place the vehicle on a firm, level surface when adjusting the doors.
2. Adjust at the hinges (A):
 - Loosen the door mounting bolts (B) slightly, and move the door IN or OUT until it aligns flush with the body.
 - Loosen the hinge mounting bolts (C) slightly, and move the door BACKWARD or FORWARD, UP or DOWN as necessary to equalize the gaps.
 - Place a shop towel (D) on the jack (E) to prevent damage to the door when adjusting the door.
3. Check that the door and body edges are parallel.

4. Grease the pivot portions of the hinges indicated by the arrows.



LSRE320T

5. Check for water leaks (See page BD-27).



LSRE320S

BODY SIDE MOLDINGS

REPLACEMENT E0D98A1A

FRONT MUD GUARD AND WHEEL GUARD

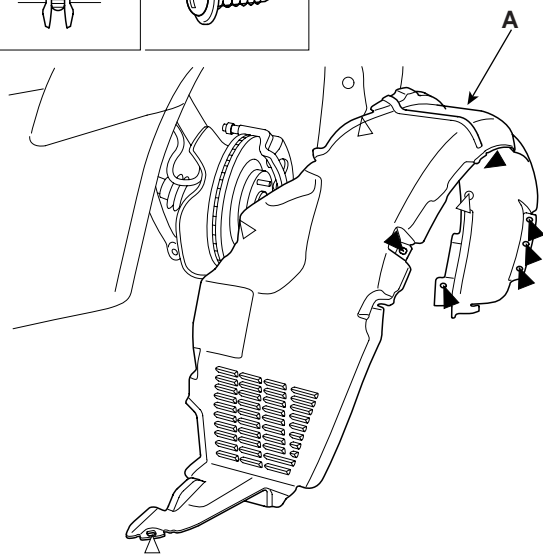
NOTE

- When prying with a flat-tip screwdriver, wrap it with protective tape, and apply protective tape around the related parts, to prevent damage.
- Put on gloves to protect your hands.
- Take care not to scratch the body surface.

1. Remove the wheel guard (A).

Fastener Locations

- ▷ : Clip, 4 ▶ : Screw, 6



LSRE110A

2. Installation is the reverse of removal.

REAR MUD GUARD AND WHEEL GUARD

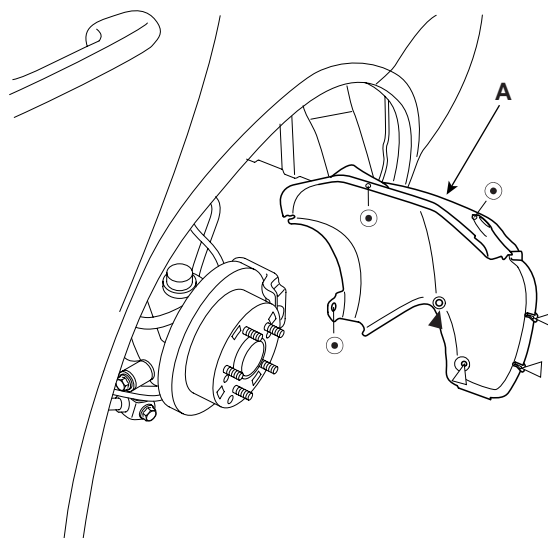
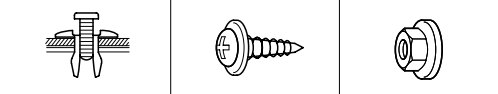
NOTE

- When prying with a flat-tip screwdriver, wrap it with protective tape, and apply protective tape around the related parts, to prevent damage.
- Put on gloves to protect your hands.
- Take care not to scratch the body surface.

1. Remove the wheel guard (A).

Fastener Locations

- ▶ : Clip, 1 ▷ : Screw, 3 ○ : Nut, 3



LSRE110B

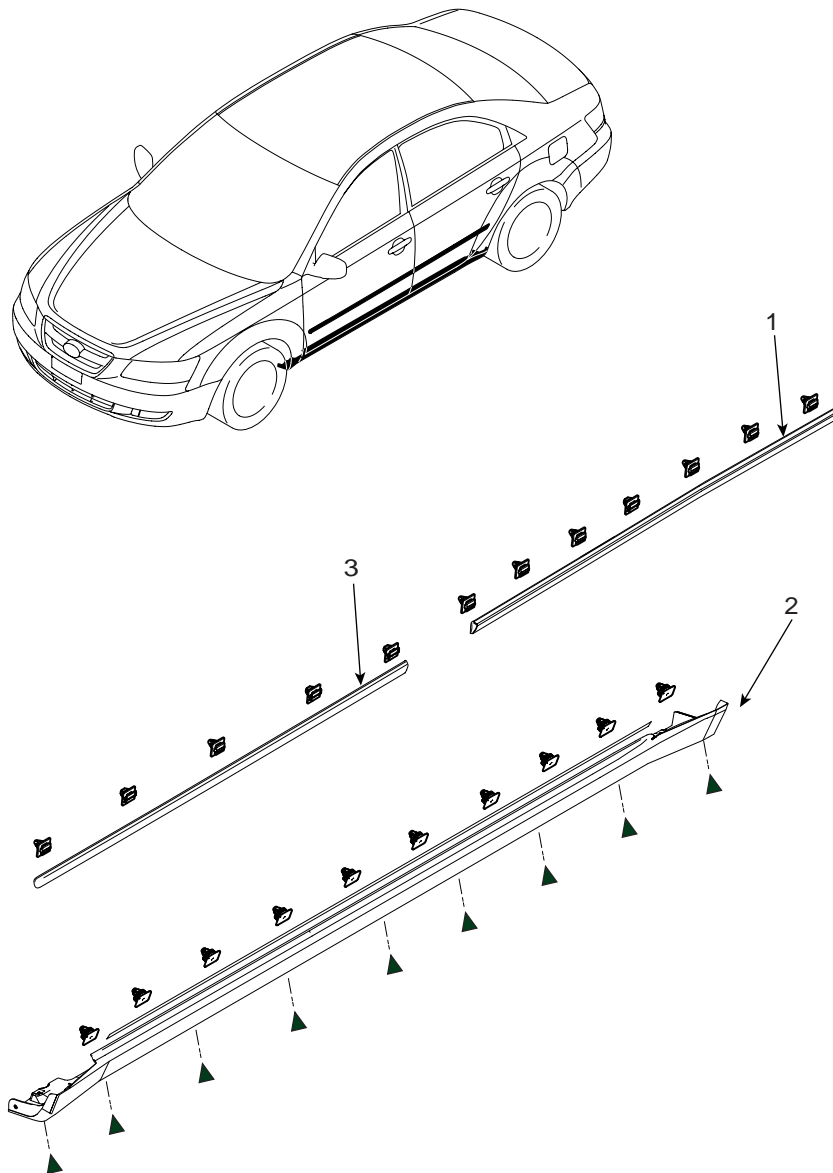
2. Installation is the reverse of removal.

SIDE GARNISH AND SIDE SILL REPLACEMENT

 NOTE

- When prying with a flat-tip screwdriver, wrap it with protective tape, and apply protective tape around the related parts, to prevent damage.
- Put on gloves to protect your hands.
- Take care not to scratch the body surface.

▶ : Screw location, 9



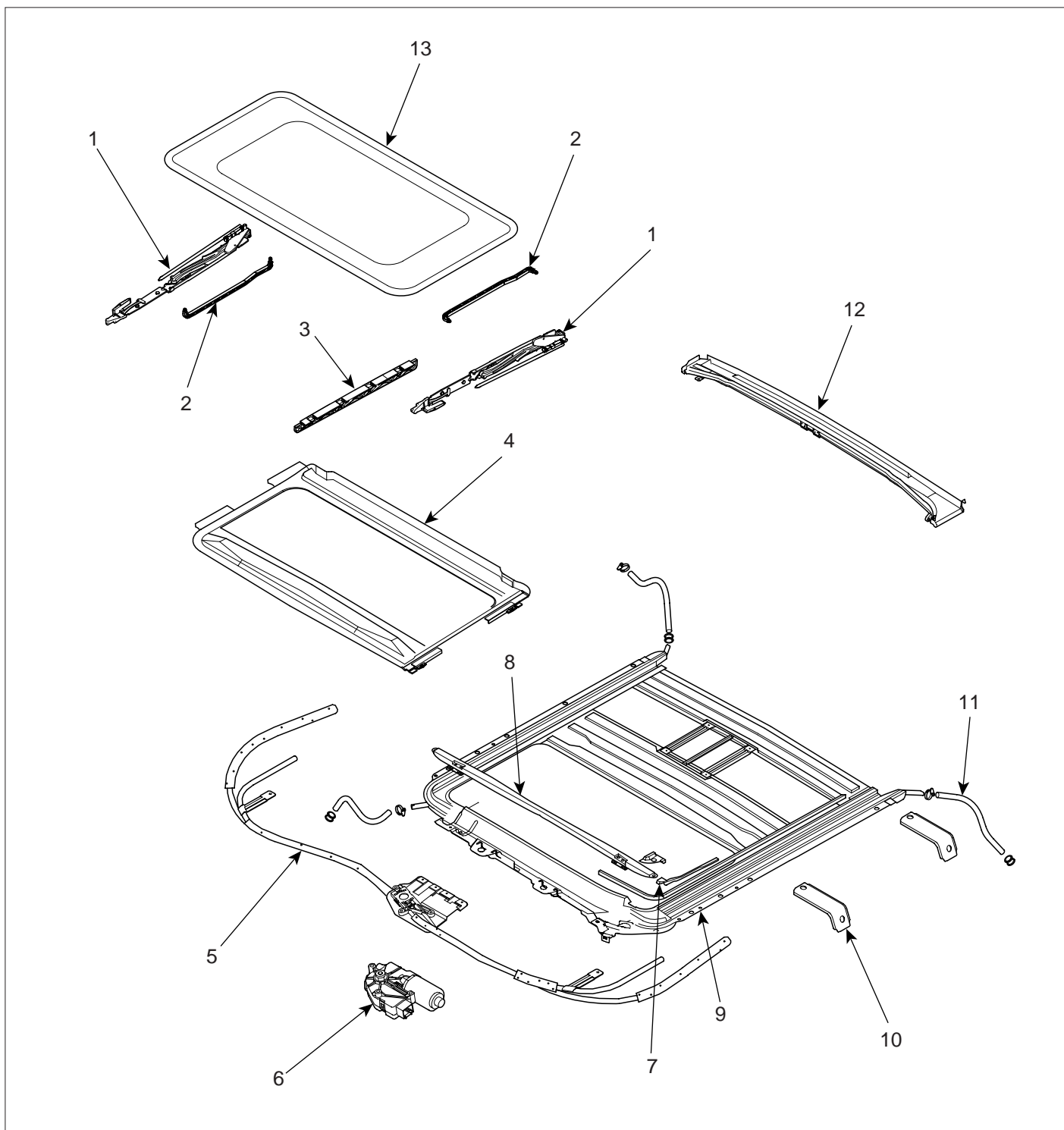
1. Rear door molding
2. Side seal molding

3. Front door molding

LSRE110C

SUN ROOF

COMPONENTS K34250E3



- 1. Guide assembly
- 2. Drip link
- 3. Decoration cover
- 4. Sunshade
- 5. Drive unit

- 6. Motor
- 7. Defector link
- 8. Defector
- 9. Frame
- 10. Set bracket

- 11. Drain tube
- 12. Drip rail
- 13. Glass

LSRE170A

BD -40

BODY (INTERIOR AND EXTERIOR)

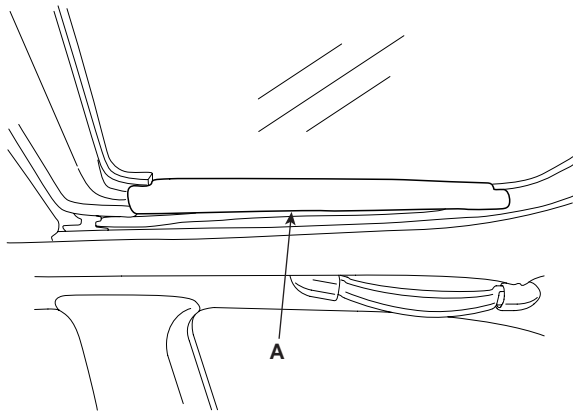
REPLACEMENT K0FDD6DE

GLASS REPLACEMENT

 **NOTE**

- Put on glove to protect your hands.

1. Remove both decoration cover (A).



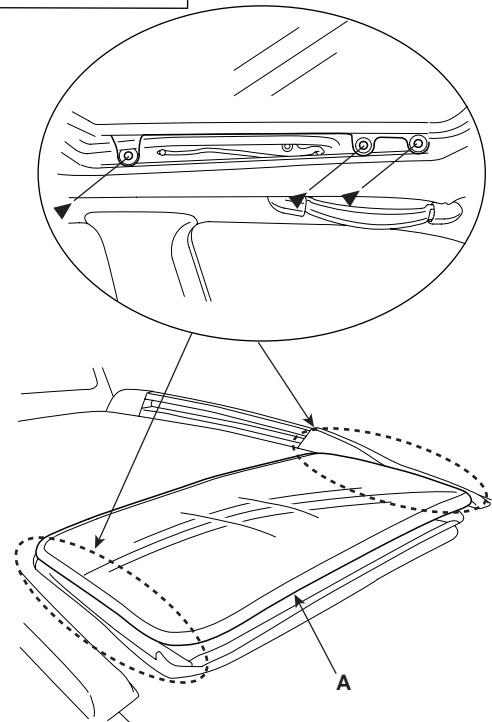
LSRE120B

2. Remove the glass (A) by lifting it up.

 **NOTE**

- Do not damage the roof panel

▶ : Screw location, 6



LSRE120C

3. Installation is the reverse of removal.

MOTOR REPLACEMENT

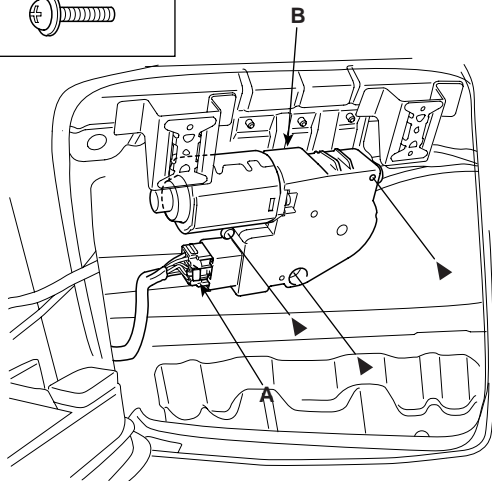
1. Remove the over head console (See page BD-62).

NOTE

- Confirm the position of guide whether it is closed or not when you remove the motor.

2. Disconnect the motor connector (A), remove the screws and then remove the motor (B).

► : Screw location, 3

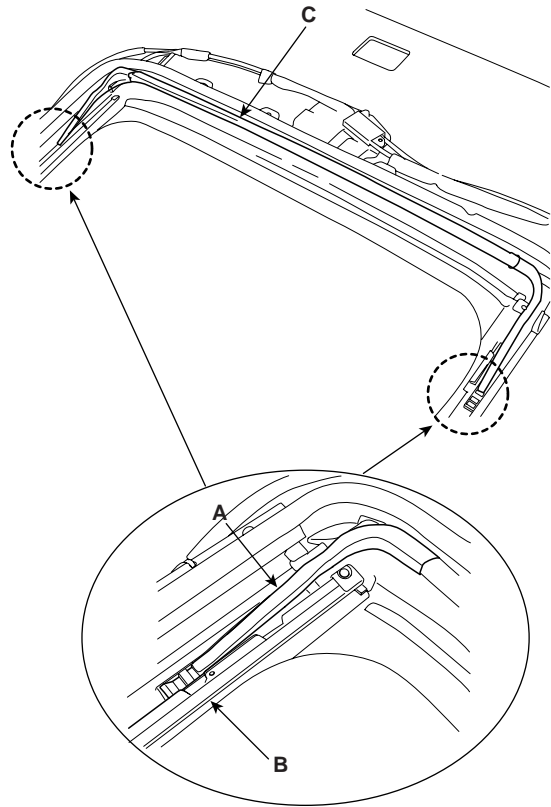


LSRE120D

3. Installation is the reverse of removal.

DEFLECTOR REPLACEMENT

1. Open the glass fully.
2. Disconnect the deflector link (A) from the frame (B), and then remove the deflector (C).



LSRE120E

3. Installation is the reverse of removal.

SUNROOF ASSEMBLY REPLACEMENT

1. Remove the follows parts.
 - Front and door scuff trim (See page BD-60).
 - Front, center and rear pillar trim (See page BD-60).
 - Headlining (See page BD-62).
 - Sunroof glass (See page BD-40).
2. Disconnect the drain tubes (A).

3. After loosening the mounding bolts and nuts, remove the sunroof assembly (B).

 **NOTE**

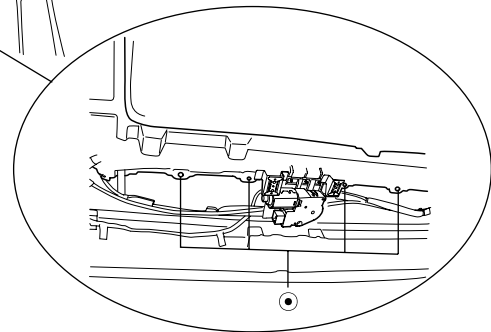
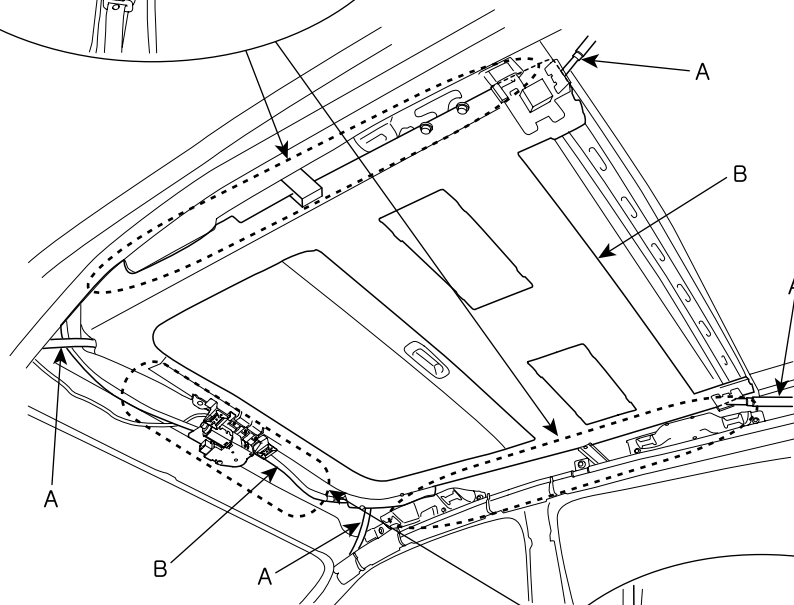
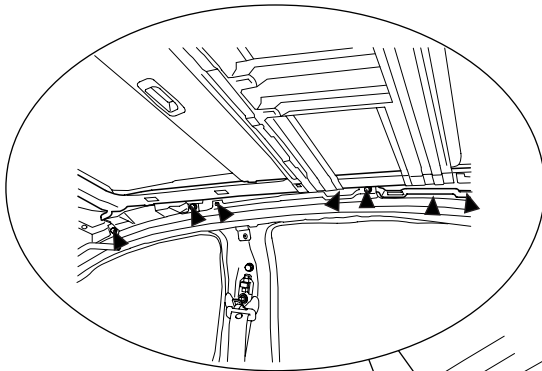
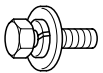
- Take care not to scratch the interior trims and other parts.

4. Installation is the reverse of removal.

Fastener Locations

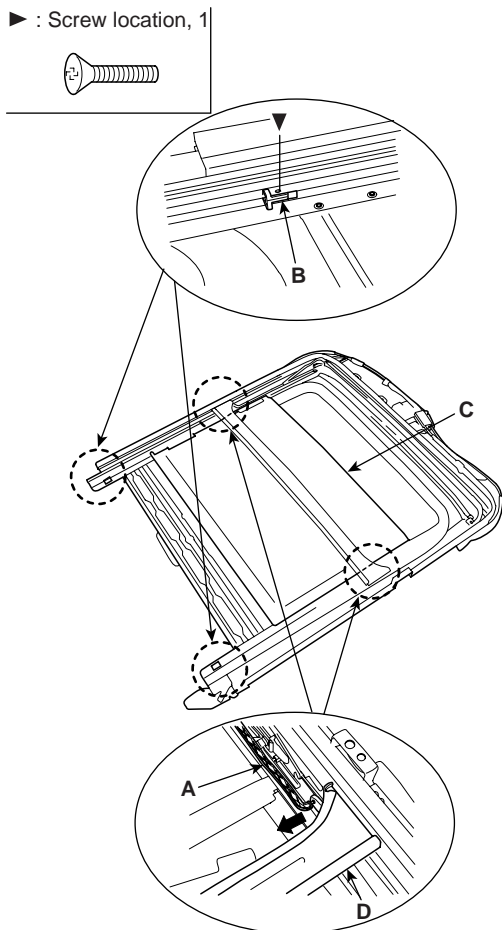
▶ : Bolt

⊙ : Nut



SUNSHADE AND DRIP RAIL REPLACEMENT

1. Remove the sunroof assembly (See page BD-42).
2. Remove the drip link (A) and sunshade stopper (B).
3. Remove the sunshade (C) and drip rail (D).

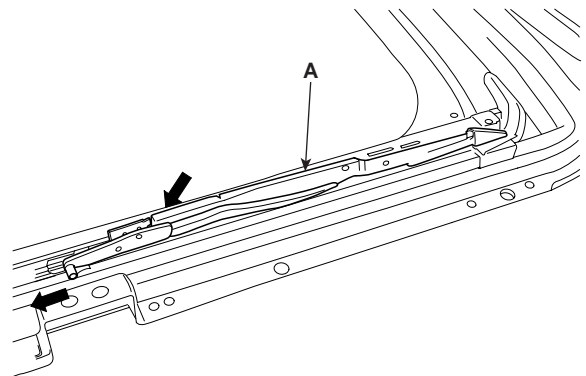


LSRE120G

4. Installation is the reverse of removal.

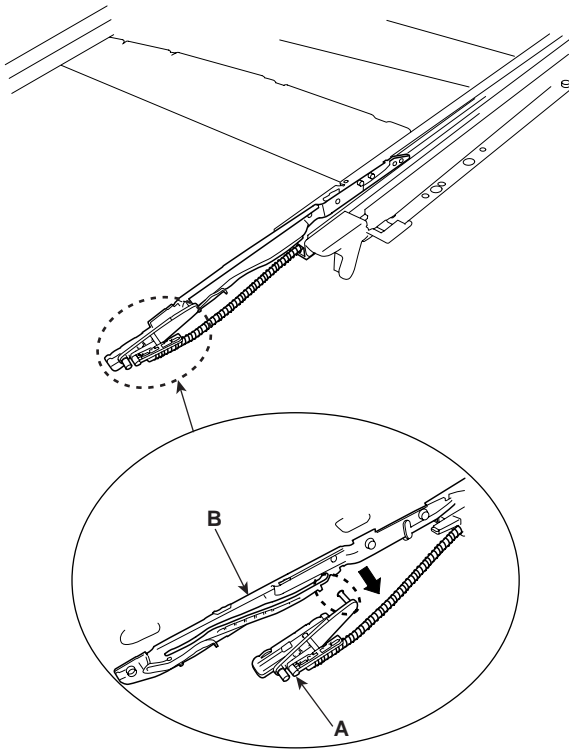
GUIDE ASSEMBLY REPLACEMENT

1. Remove the sunroof assembly (See page BD-42).
2. Remove a guide assembly (A) after lowering a guide thoroughly by pushing a slide (B) to rear.



LSRE120H

3. Remove the guide (A) and slide (B).



LSRE120I

4. Installation is the reverse of removal.

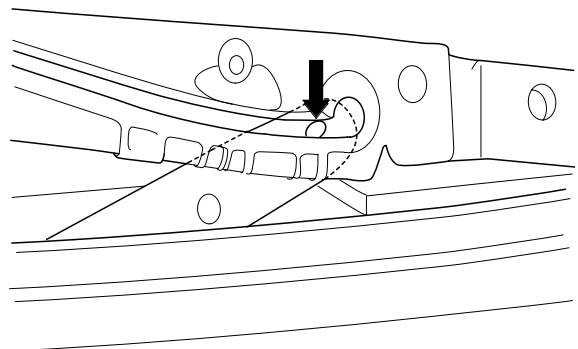
 **NOTE**

- Make sure to align the slide with the center of " A" and " B"
- Make sure to initialize the motor.

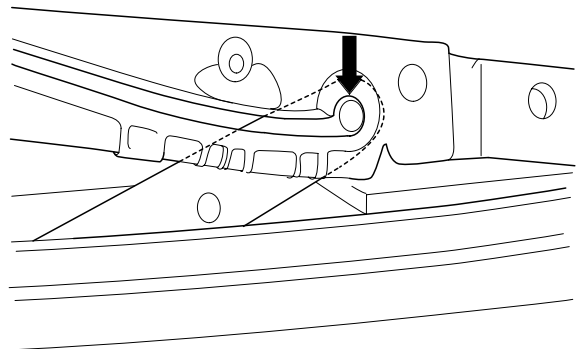
ADJUSTMENT KE331B68

HOW TO INITIALIZE

1. Check that the glass has been installed.
 - Finished height adjustment.
2. Push the up switch. (Keep on pushing the switch)
 - The slide moved 5mm forward after 15 seconds.



- Before moving the slide -



- After moving the slide -

LSRE171M

3. After moving the slide 5mm forward, turn OFF the switch and push the UP switch (Keeping on pushing the switch with continuous operation).
 - If the operation above is normal condition, the sunroof once and closes.
4. When the sunroof is closed completely, turn OFF the UP switch initialize the motor completely.

WHEN TO INITIALIZE THE MOTOR

1. First operation the vehicle after manufacture it.
2. Initial value is erased or damaged because of short power electric discharge during operation.
3. After using the manual handle.

OPERATING THE SUNROOF EMERGENCY HANDLE

1. Use the sunroof emergency handle to close and open the sunroof manually for the following case only.
 - To close the sunroof before driving a vehicle in a rainy day or on the highway if the sunroof cannot be closed due to failure of the sunroof motor or controller.
2. Operating method.
 - Remove the overhead console.
 - Push the emergency handle up into the hexagonal drive (A) of the sunroof motor. You must push hard enough to disengage the motor clutch; otherwise the emergency handle will slip due to incomplete fit in the motor.
 - Carefully turn the emergency handle clockwise to close the sunroof.
 - After closing the sunroof, wiggle the handle back and forth as you remove the tool from the motor, to ensure the motor clutch reengages.
 - A 5mm hex socket may be used in place of the emergency handle, with a " Speeder" type handle.



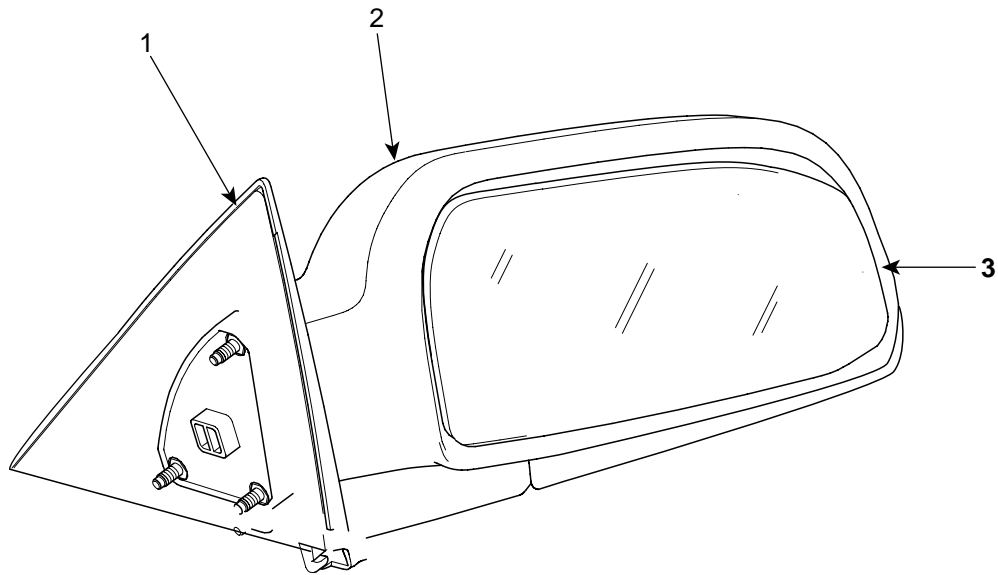
CAUTION

***Do not use power tools to operate the sunroof.
Damage to the components may occur.***

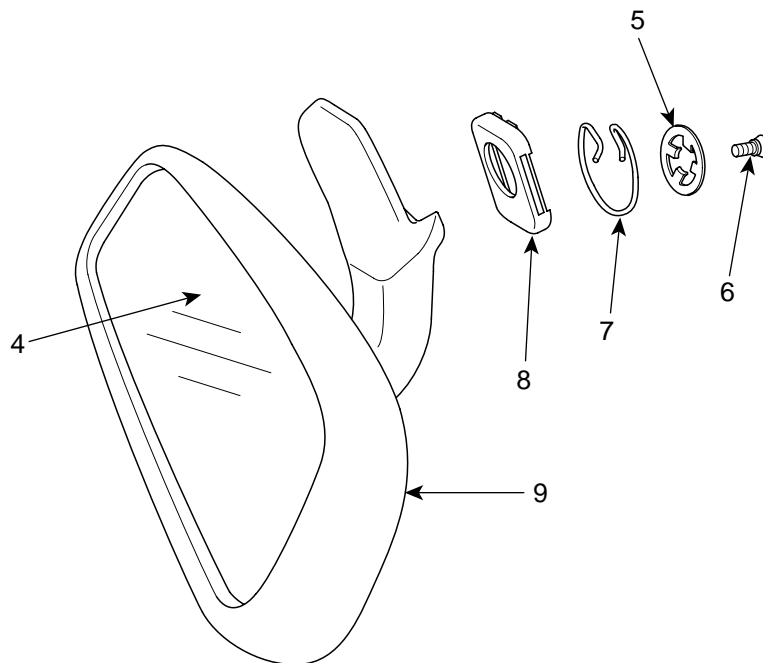
MIRROR

COMPONENTS KD4ECEED

[Outside rearview mirror]



[Inside rearview mirror]



- 1. Base
- 2. Housing
- 3. Mirror

- 4. Mirror
- 5. Retainer
- 6. Screw

- 7. Spring
- 8. Base
- 9. Housing

LSRE130A

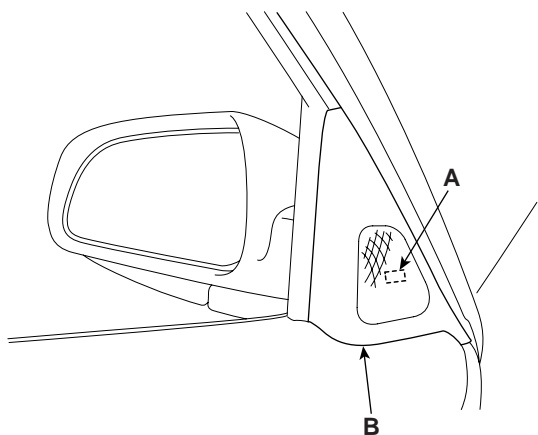
REPLACEMENT K30755C5

OUTSIDE REAR VIEW MIRROR RELPLACEMENT

NOTE

- When prying with a flat-up screwdriver, wrap it with protective tape, and apply protective tape around the related parts, to prevent damage.
- Put on gloves to protect your hands.

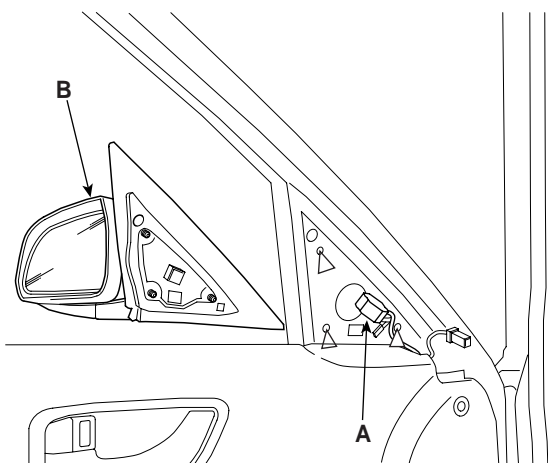
1. Remove the quadrant inner cover (A), then disconnect the connector (B).



LSRE320B

2. After disconnecting the connector (A), remove the outside rear view mirror (B).

▷ : Nut location, 3

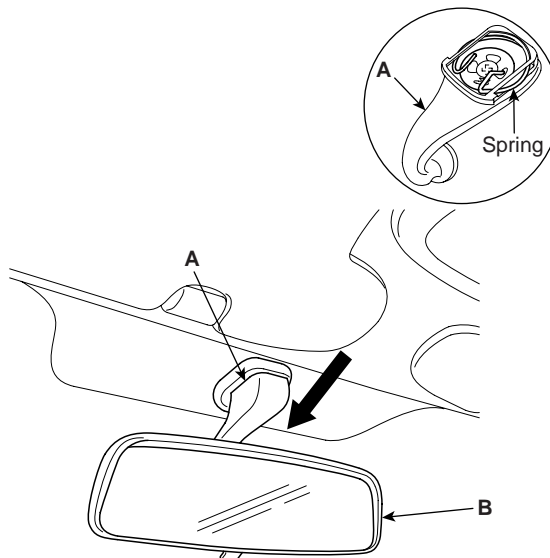


LSRE130B

3. Installation is the reverse of removal.

INSIDE REAR VIEW MIRROR REPLACEMENT

1. Push the inside rear view mirror base (A) down to remove to inside rear view mirror assembly(B).

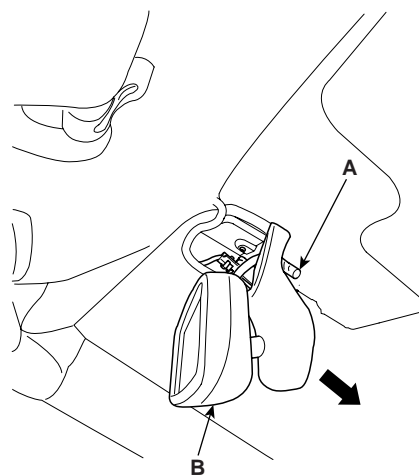


LSRE130C

2. Installation is the reverse of removal.

ECM MIRROR REPLACEMENT

1. Remove the cover and connector (A).
2. Push the ECM mirror base down to remove the ECM mirror assembly (B).
3. Installation is the reverse of removal.

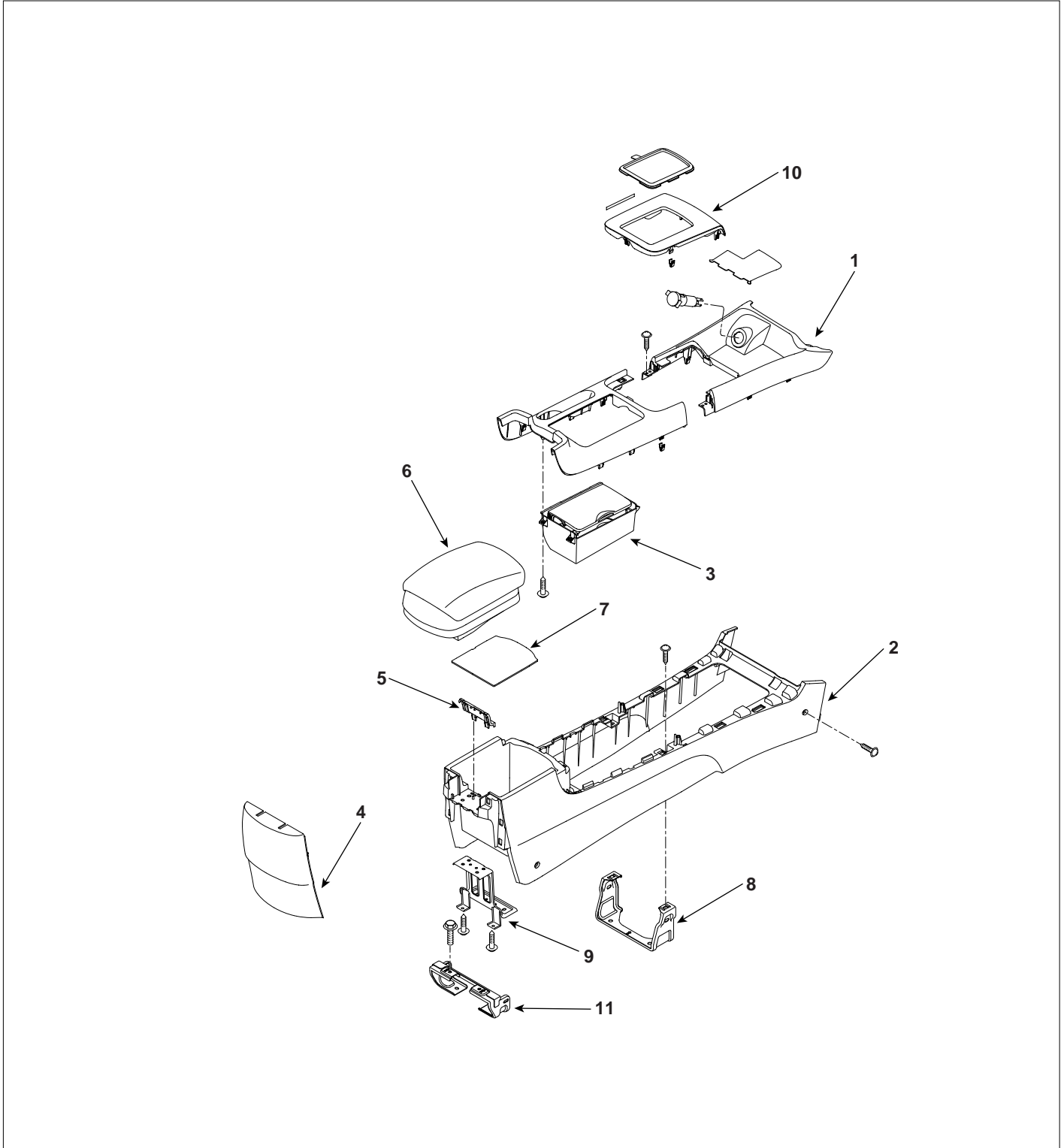


LSRE130D

INTERIOR

CONSOLE

COMPONENTS KCB48BAD



- 1. Upper cover
- 2. Floor console
- 3. Storage box
- 4. Rear console cover

- 5. Armrest ballank
- 6. Armrest
- 7. Floor console pad
- 8. Armrest center mounting bracket

- 9. Armrest
- 10. Center cover
- 11. Rear mounting bracket

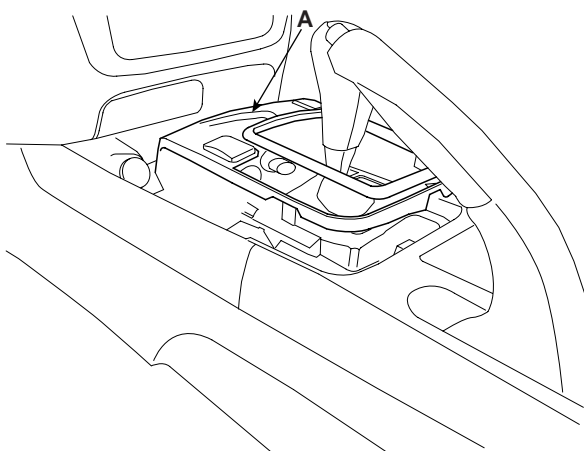
REPLACEMENT K15C6321

FLOOR CONSOLE REPLACEMENT

NOTE

- When prying with a flat-up screwdriver, wrap it with protective tape, and apply protective tape around the related parts, to prevent damage.
- Put on gloves to protect your hands.

1. Remove the front seat (See page BD-72).
2. After remove the center cover (A).

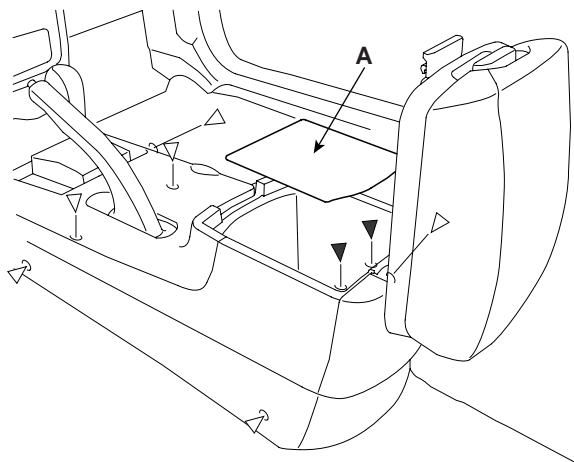
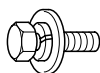


LSRE160B

3. Remove the floor console pad (A).

Fastener Locations

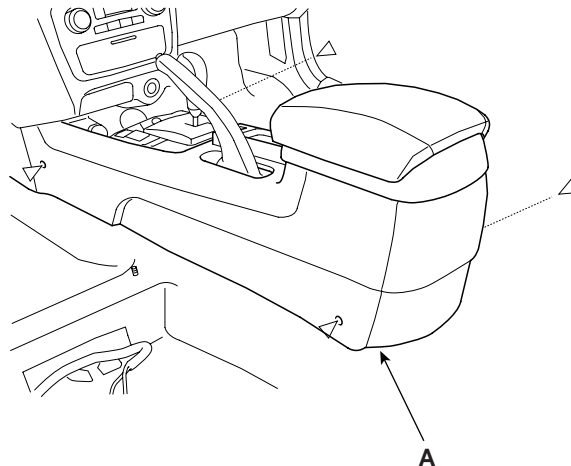
▷ : Screw, 6 ▶ : Bolt, 2



LSRE160C

4. After loosening the console mounting screw, remove the floor console assembly(A).

▷ : Screw location, 4



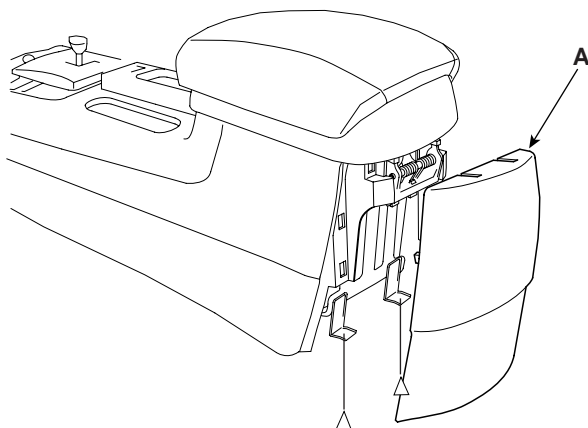
LSRE160D

5. Installation is the reverse of removal.

ARMREST REPLACEMENT

1. Remove the console assembly (See page BD-49).
2. Remove rear cover (A).

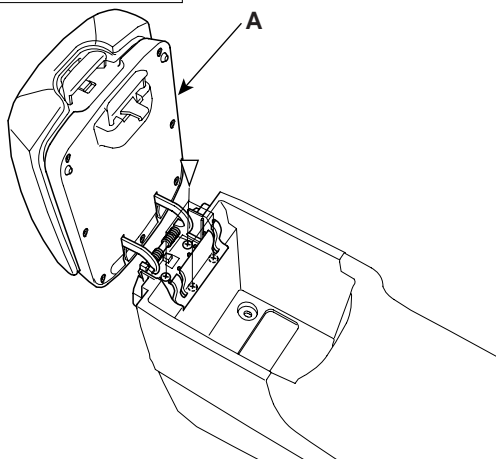
▷ : Screw location, 2



LSRE160E

3. After loosening the armrest mounting screw, remove the armrest (A).

▷ : Screw location, 4

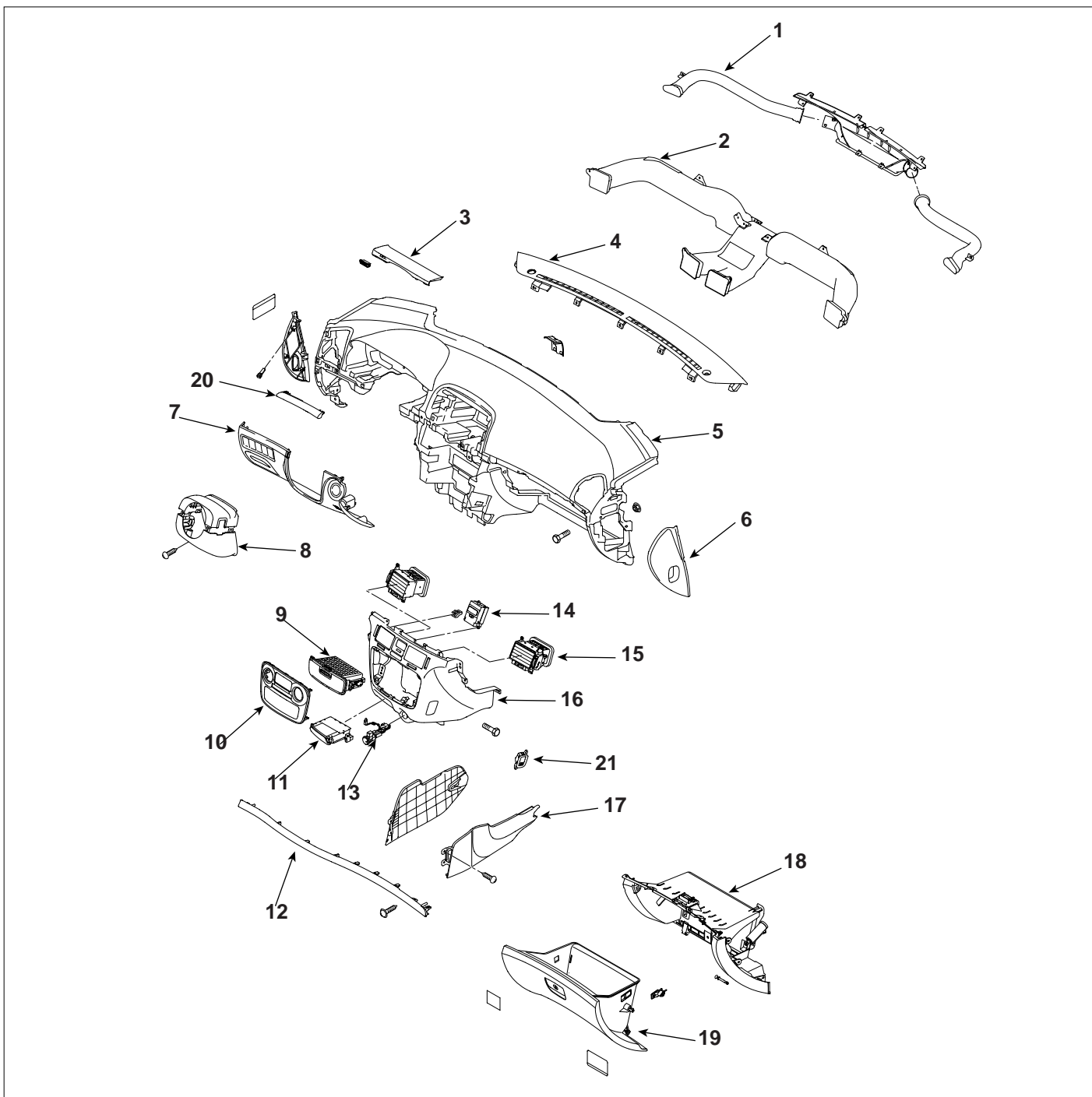


LSRE160F

4. Installation is the reverse of removal.

CRASH PAD

COMPONENTS KDF4E0F0



- | | | | |
|-------------------------|-------------------------------|-------------------|----------------------------|
| 1. Defroster hose | 6. Side cover | 11. Ashtay | 16. Center crash pad panel |
| 2. Air vent | 7. Crash pad lower panel | 12. Center guarsh | 17. Center lower cover |
| 3. Cluster fascia panel | 8. Steering column shroud | 13. Cigar lighter | 18. Lower crash pad panel |
| 4. Center | 9. Center fascia | 14. Digital clock | 19. Glove box |
| 5. Main crash pad | 10. Center fascia lower panel | 15. Air vent | 20. Side cover |
| | | | 21. hanger |

LSRE120A

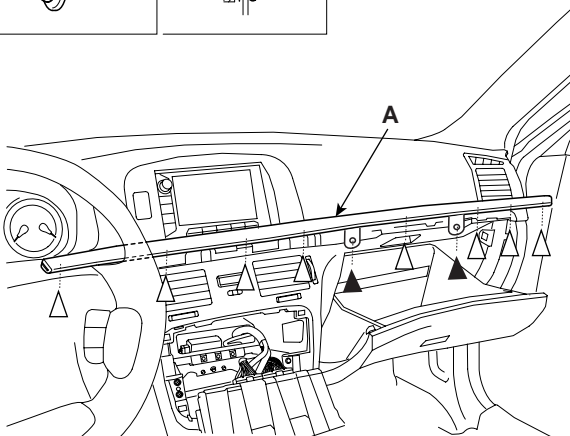
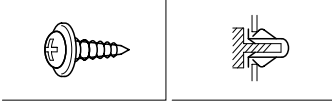
REPLACEMENT K97FC0BF

CRASH PAD CENTER PANEL REPLACEMENT

1. Remove floor console assembly (See page BD-49).
2. Remove the center garnish (A).
3. Remove the glove box (See page BD-57).
4. Remove the center facia upper panel (See page BD-55).

Fastener Locations

- ▶ : Screw, 2 ▷ : Clip, 8

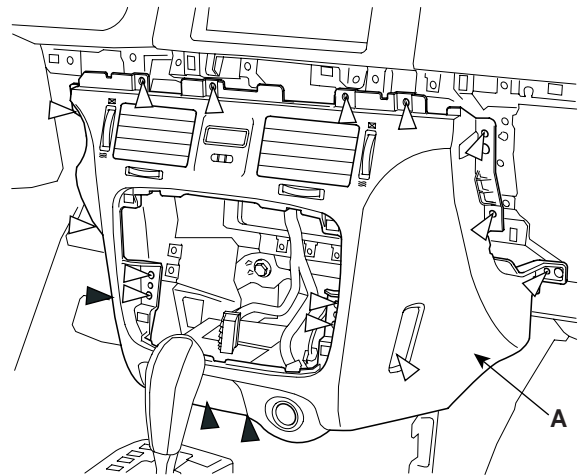
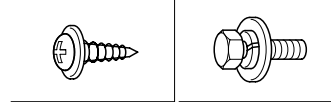


LSRE170B

5. After loosening the crash pad lower panel mounting screw, then crash pad lower panel (A).

Fastener Locations

- ▷ : Screw, 14 ▶ : Bolt, 3



LSRE170C

6. Installation is the reverse of removal.

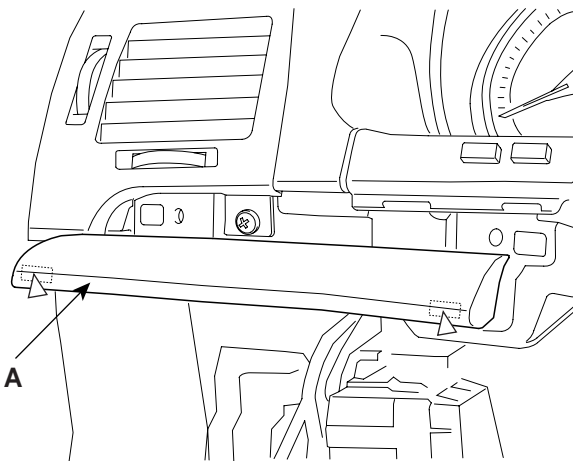
CLUSTER FACIA PANEL REPLACEMENT

 **NOTE**

- When prying with a flat-up screwdriver, wrap it with protective tape, and apply protective tape around the related parts, to prevent damage.
- Put on gloves to protect your hands.

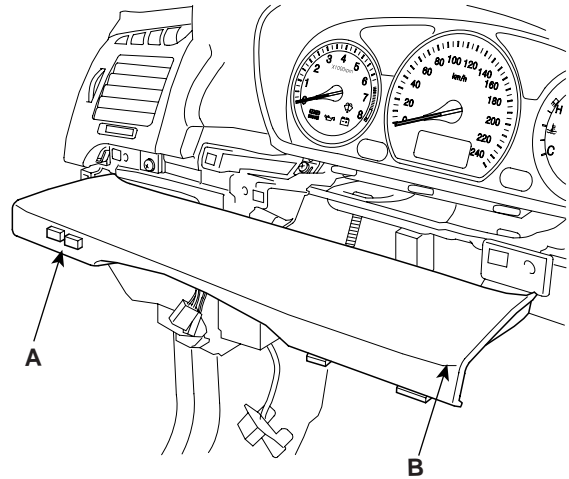
1. Tilt the steering column down.
2. Remove the center garnish (A).

▷ : Clip location, 2



LSRE170D

3. After disconnecting the trip sensor connector (A), remove the cluster facia panel (B).



LSRE170E

4. Installation is the reverse of removal.

 **NOTE**

- Make sure the connector is plugged in properly.

CENTER FACIA PANEL REPLACEMENT

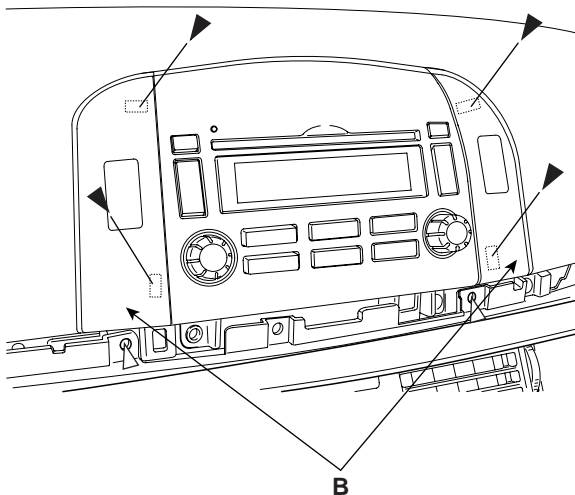
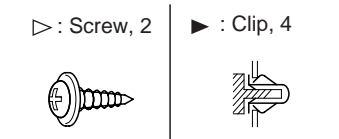
1. After disconnecting the connector (A), remove the center facia panel (B).

NOTE

- When prying with a flat-up screwdriver, wrap it with protective tape, and apply protective tape around the related parts, to prevent damage.
- Put on gloves to protect your hands.

Fastener Locations

▷ : Screw, 2 ▶ : Clip, 4

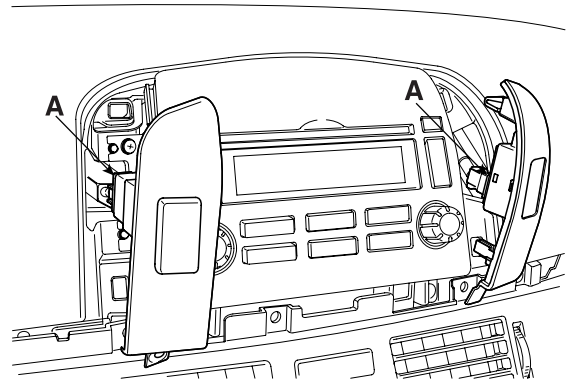


LSRE170F

2. Installation is the reverse of removal.

NOTE

- Make sure the connector is plugged in properly.



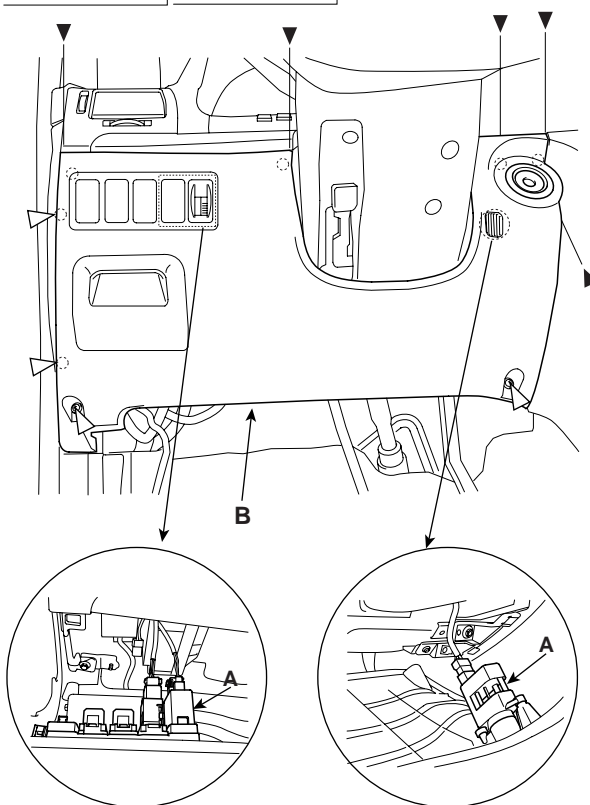
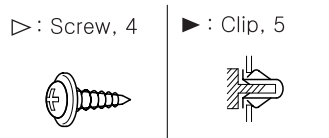
LSRE170G

LOWER CRASH PAD PANEL REPLACEMENT

1. Remove the center garnish (See page BD-53).
2. Loosening the crash pad lower panel mounting screw.
3. After Disconnecting the connector(A), remove lower panel (B).

Fastener Locations

▷ : Screw, 4 ▶ : Clip, 5



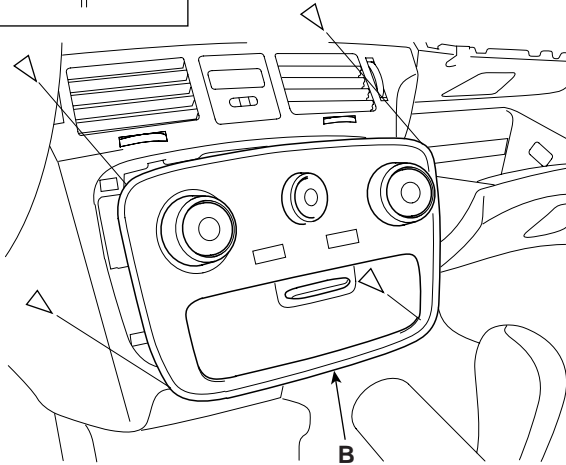
LSRE170H

4. Installation is the reverse of removal.

HEATER CONTROL UNIT REPLACEMENT

1. After disconnecting the connector (A), remove the center facia lower panel (B).

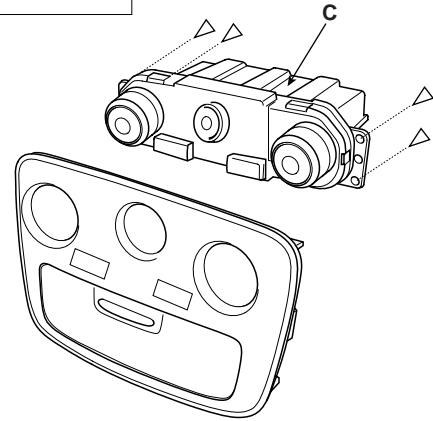
▷ : Clip location, 4



LSRE170K

2. Loosening the heater control mounting screw, remove heater control unit (C).

▷ : Screw location, 4

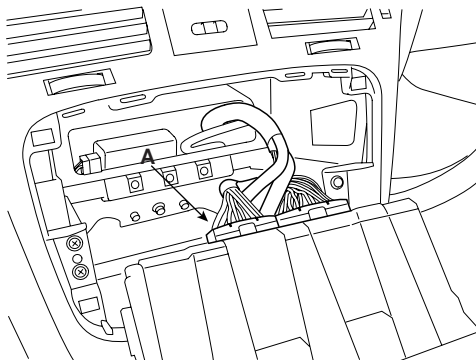


LSRE170N

3. Installation is the reverse of removal.

NOTE

- Make sure the connector is plugged in properly.

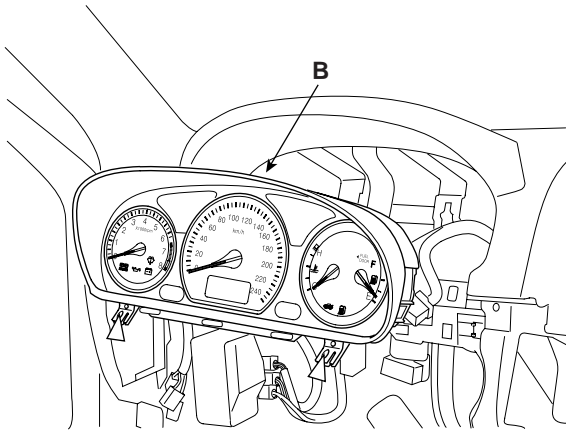


LSRE170L

CLUSTER REPLACEMENT

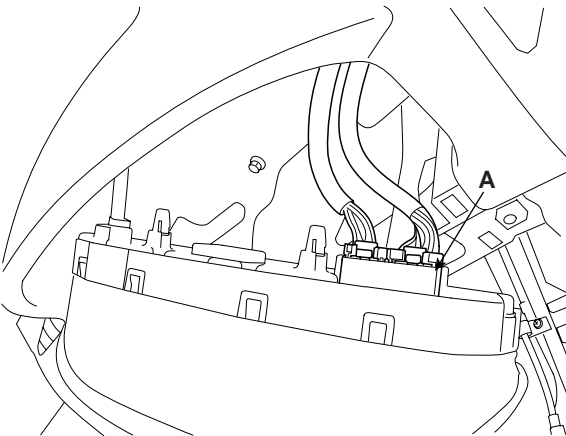
1. Remove the cluster facia panel (See page BD-53).
2. Loosen the screws.

▷ : Screw location, 2



LSRE170M

3. Disconnect the cluster connector (A), then remove the cluster (B).



LSRE170O

4. Installation is the reverse of removal.

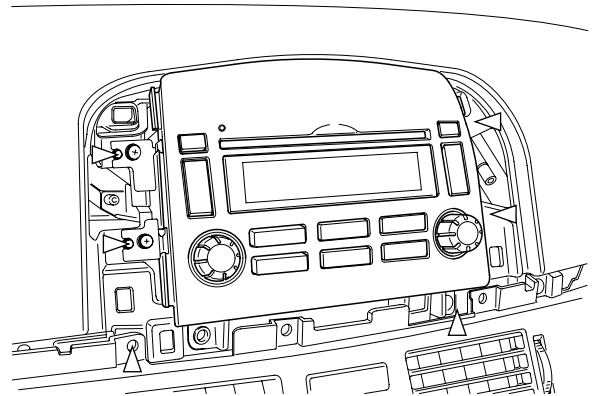
NOTE

- Make sure the connector is plugged in properly.

AUDIO ASSEMBLY REPLACEMENT

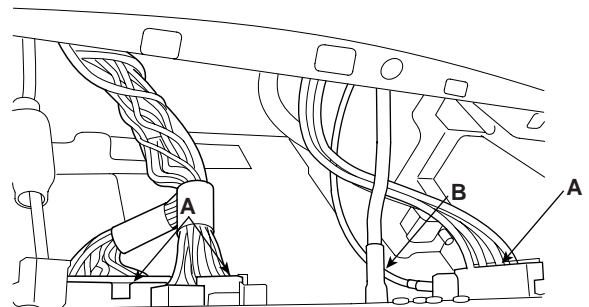
1. Remove the center facia panel (See page BD-54).
2. Loosen the screws.

▷ : Screw location, 6



LSRE170P

3. Disconnect the audio connector (A) and antenna cable (B), then remove the audio assembly (C).



LSRE170Q

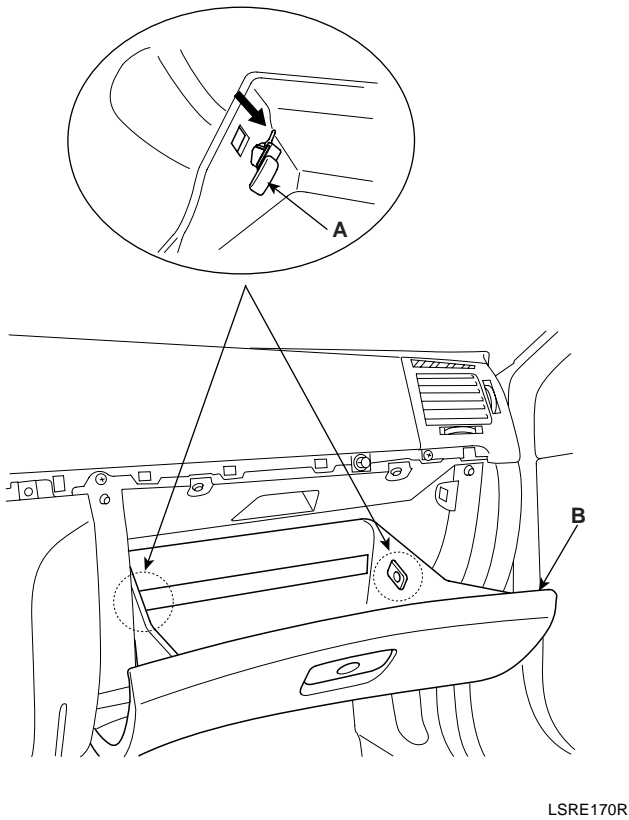
4. Installation is the reverse of removal.

NOTE

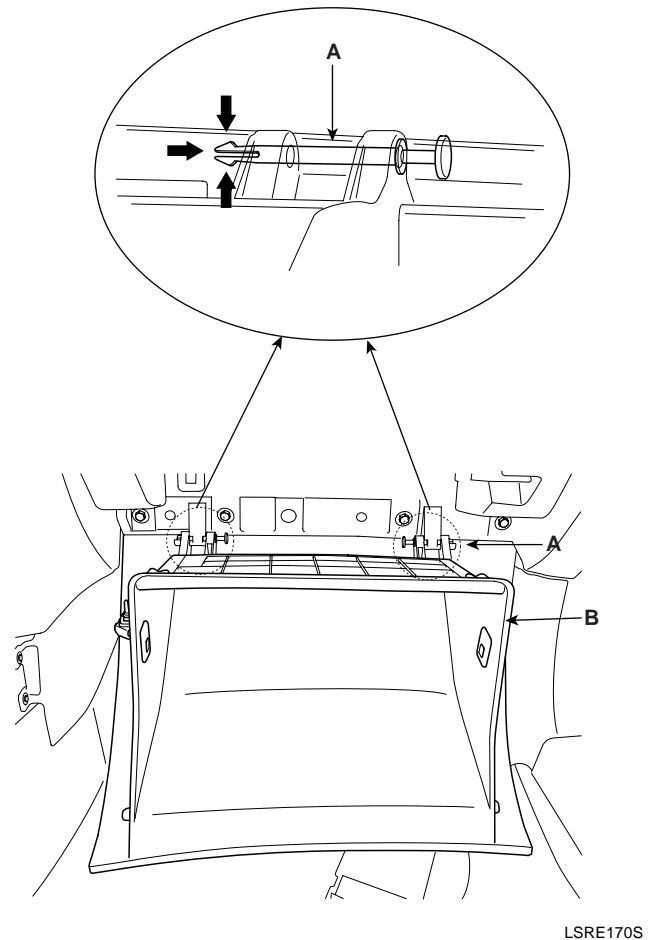
- Make sure the connector is plugged in properly.

GLOVE BOX REPLACEMENT

1. Disconnect the damper (A) from the glove box (B).



2. Disconnect the pine (A), then remove the glove box (C).



3. Installation is the reverse of removal.

COVER REPLACEMENT

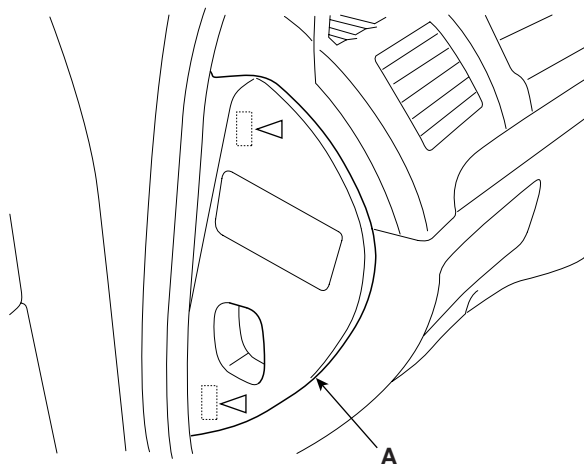
 **NOTE**

- When prying with a flat-up screwdriver, wrap it with protective tape, and apply protective tape around the related parts, to prevent damage.
- Put on gloves to protect your hands.

1. Remove the crash pad side cover (A), crash pad center under cover (B).

1) Crash pad side cover.

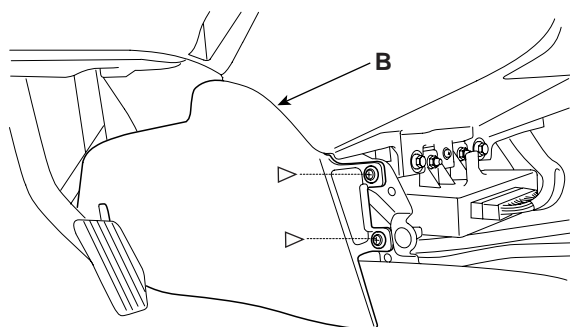
▷ : Clip location, 2



LSRE170V

2) Front crash pad center under cover, LH
- Remove the console assembly (See page BD-49).

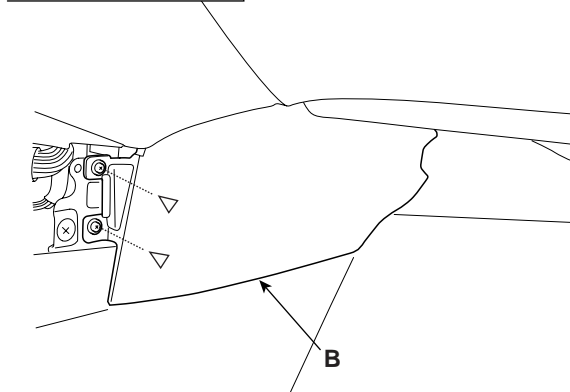
▷ : Screw location, 2



LSRE170W

3) Front crash pad center under cover, RH
- Remove the console assembly (See page BD-49).

▷ : Screw location, 2



LSRE170X

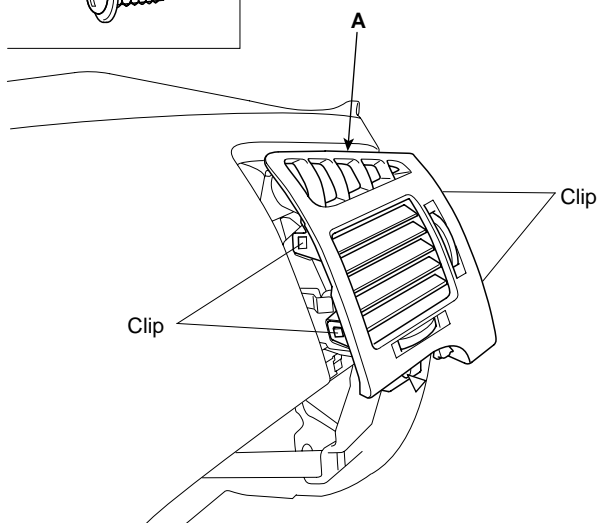
AIR VENT REPLACEMENT

 **NOTE**

- When prying with a flat-up screwdriver, wrap it with protective tape, and apply protective tape around the related parts, to prevent damage.
- Put on gloves to protect your hands.

1. Remove the air vent (A) by detaching the clips.

▷ : Screw location, 1



LSRE170Y

2. Installation is the reverse of removal.

CRASH PAD REPLACEMENT

 **NOTE**

- When prying with a flat-up screwdriver, wrap it with protective tape, and apply protective tape around the related parts, to prevent damage.
- Put on gloves to protect your hands.

1. Remove the following items.
 - Front seat (See page BD-72).
 - Cluster facia panel, cluster (See page BD-53,56).
 - Audio assembly (See page BD-53,56).
 - Glove box (See page BD-57).
 - Side cover, center under cover (See page BD-58).
 - Front pillar trim (See page BD-60).

2. Disconnect the passenger's air bag connector (A). Loosen the bolt and nut, then remove the crash pad (B).


3. Installation is the reverse of removal.

 **NOTE**

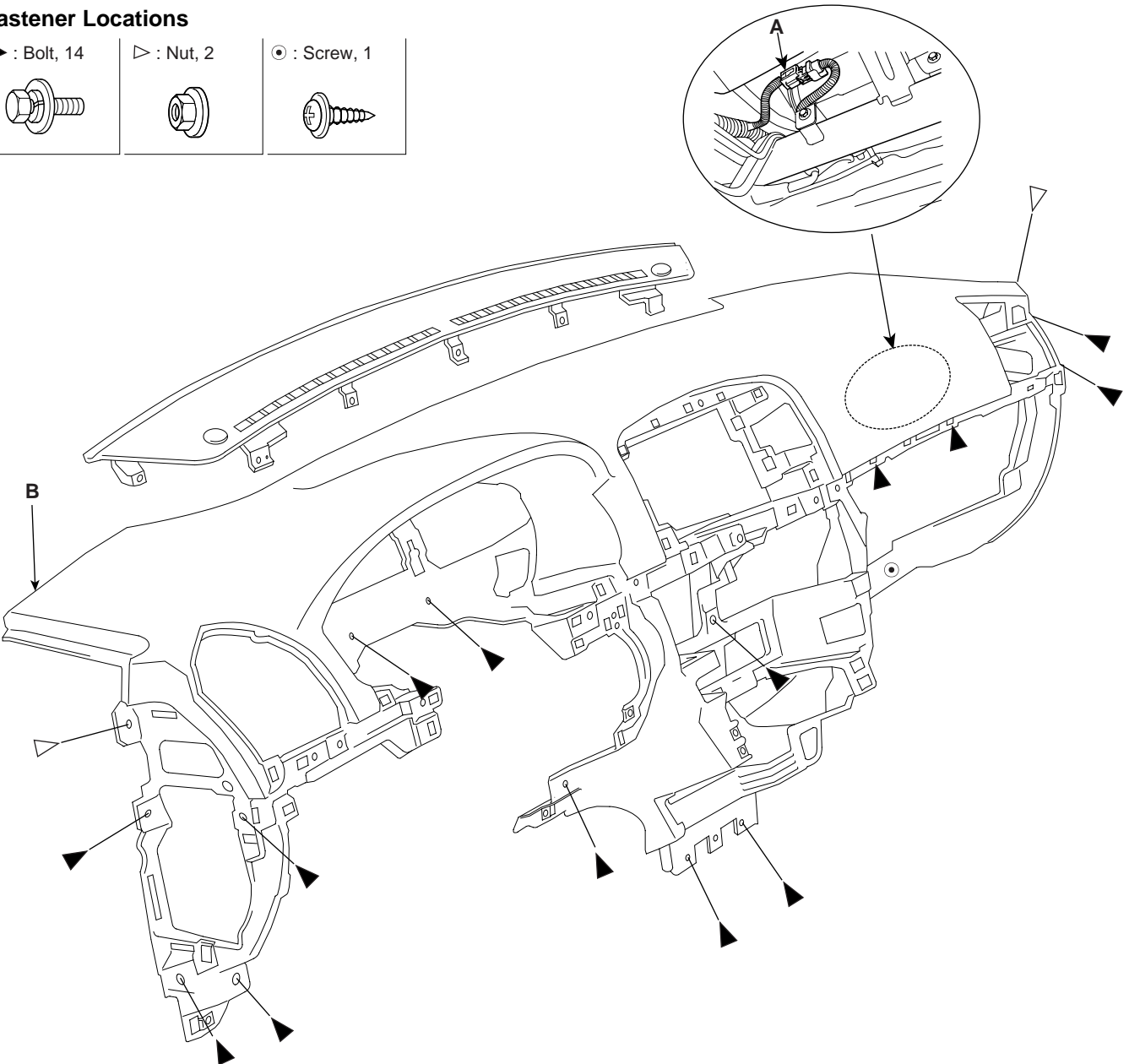
- Make sure the crash pad fits onto the guide pins correctly.
- Before tightening the bolts, make sure the crash pad wire harnesses are not pinched.
- Make sure the connectors are plugged in properly, and the antenna lead is connected properly.
- Enter the anti-theft code for the radio, then enter the customer's radio station presets.

Fastener Locations

 : Bolt, 14

 : Nut, 2

 : Screw, 1



BD -60

BODY (INTERIOR AND EXTERIOR)

INTERIOR TRIM

REPLACEMENT KE0F4DC3

FLOOR AND SIDE TRIM

1. Remove the trim.

 **NOTE**

- Put on gloves to protect your hands.

- When prying with a flat-tip screwdriver, wrap it with protective tape to prevent damage.
- Take care not to bend or scratch the trim and panels.

2. Installation is the reverse of removal.

 **NOTE**

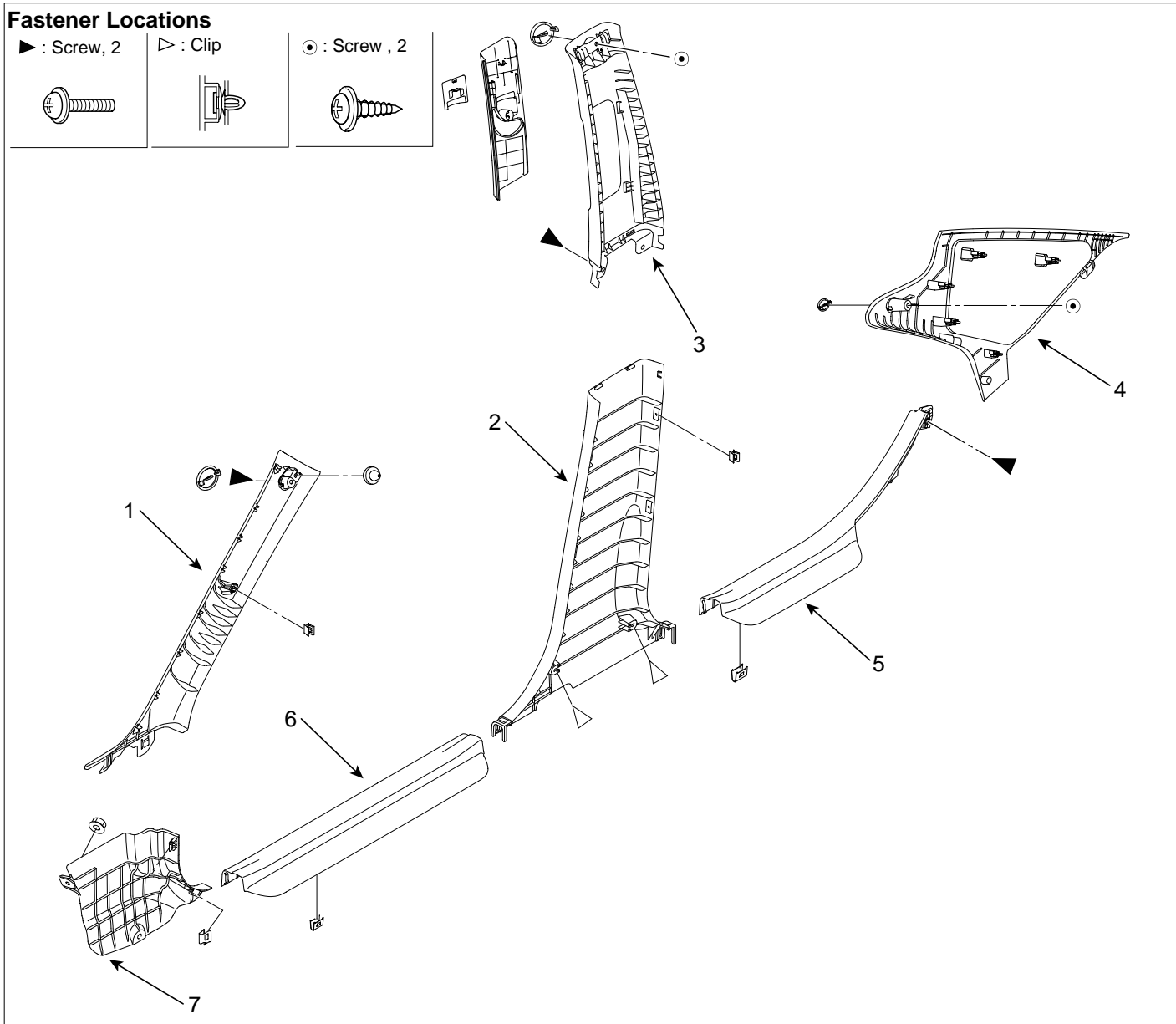
- Replace any damage clips.

Fastener Locations

▶ : Screw, 2

▷ : Clip

● : Screw, 2



1. Front pillar

2. Center lower pillar trim

3. Center upper pillar trim

4. Rear pillar trim

5. Rear door scuff trim

6. Front door scuff trim

7. Cowl side trim

LSRE210A

TRUNK TRIM

2. Installation is the reverse of removal.

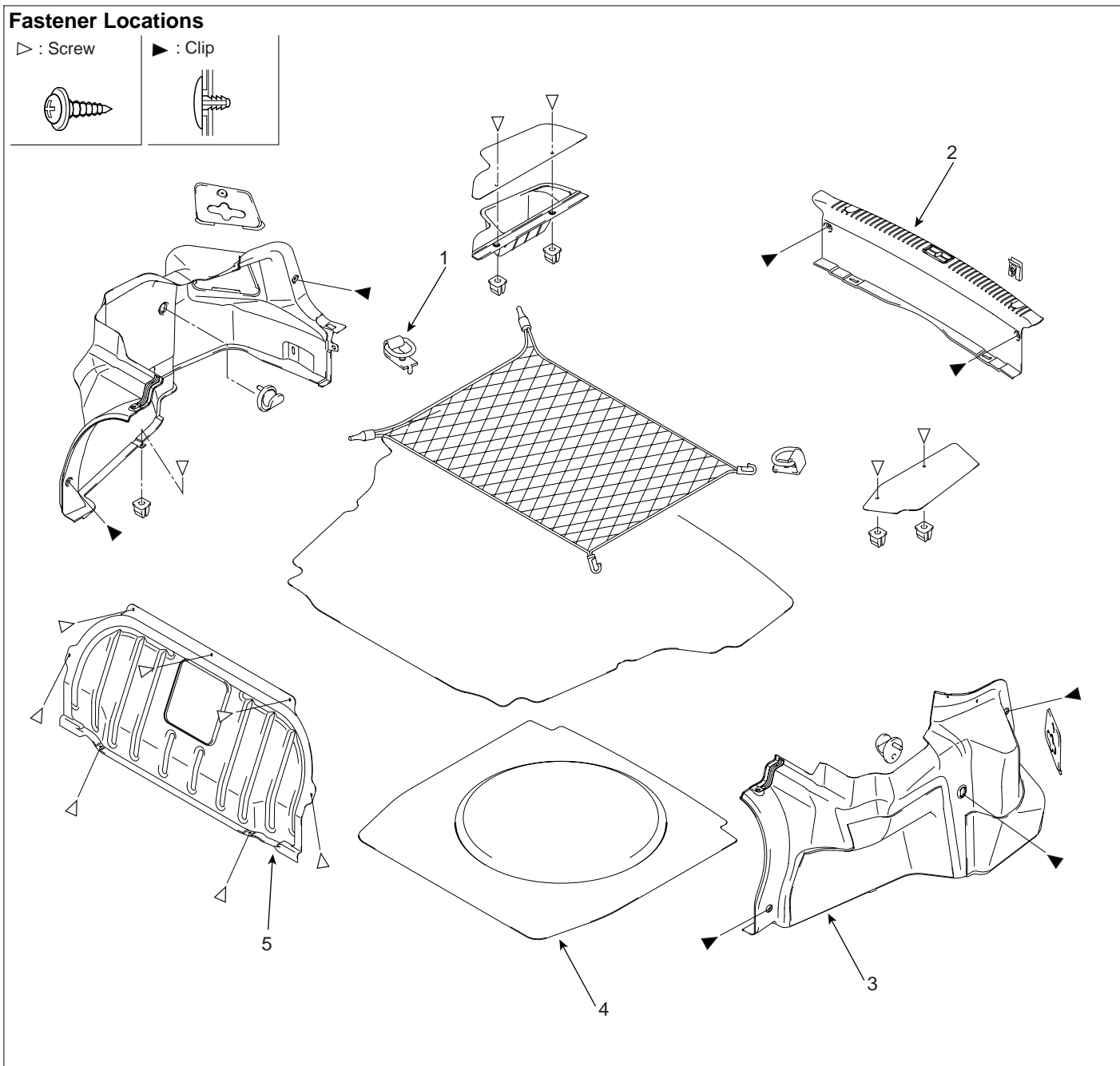
1. Remove the trim.

 **NOTE**

- Put on gloves to protect your hands.
- When prying with a flat-tip screwdriver, wrap it with protective tape to prevent damage.
- Take care not to bend or scratch the trim and panels.

 **NOTE**

- Replace any damage clips.



- 1. Luggage flower hook
- 2. Rear transverse trim
- 3. Luggage side trim

- 4. Luggage cover met
- 5. Luggage partition trim

ROOF TRIM

1. Remove the trim.

 **NOTE**

- Put on gloves to protect your hands.
- When prying with a flat-tip screwdriver, wrap it with protective tape to prevent damage.

- Take care not to bend or scratch the trim and panels.

2. Installation is the reverse of removal.

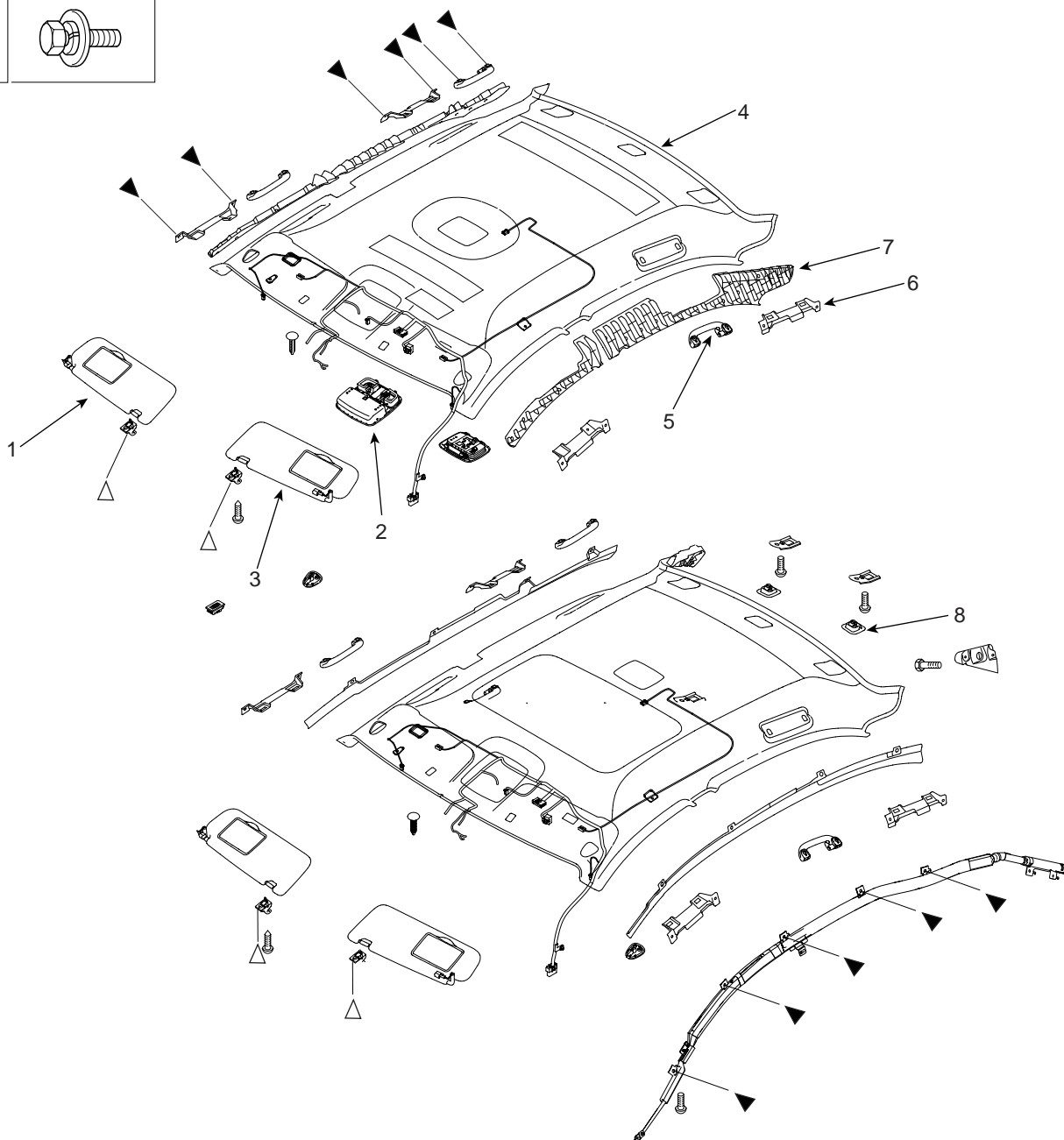
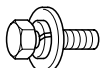
 **NOTE**

- Replace any damage clips.

Fastener Locations

▷ : Screw

▶ : Bolt



- 1. Sunvisor
- 2. Over head console lamp
- 3. Sunvisor retainer
- 4. Head lining

- 5. Assist handle
- 6. Assist handle bracket
- 7. Roof absorber
- 8. Coat hook

INTERIOR

BD -63

PACKAGE TRAY

1. Remove the trim.

 **NOTE**

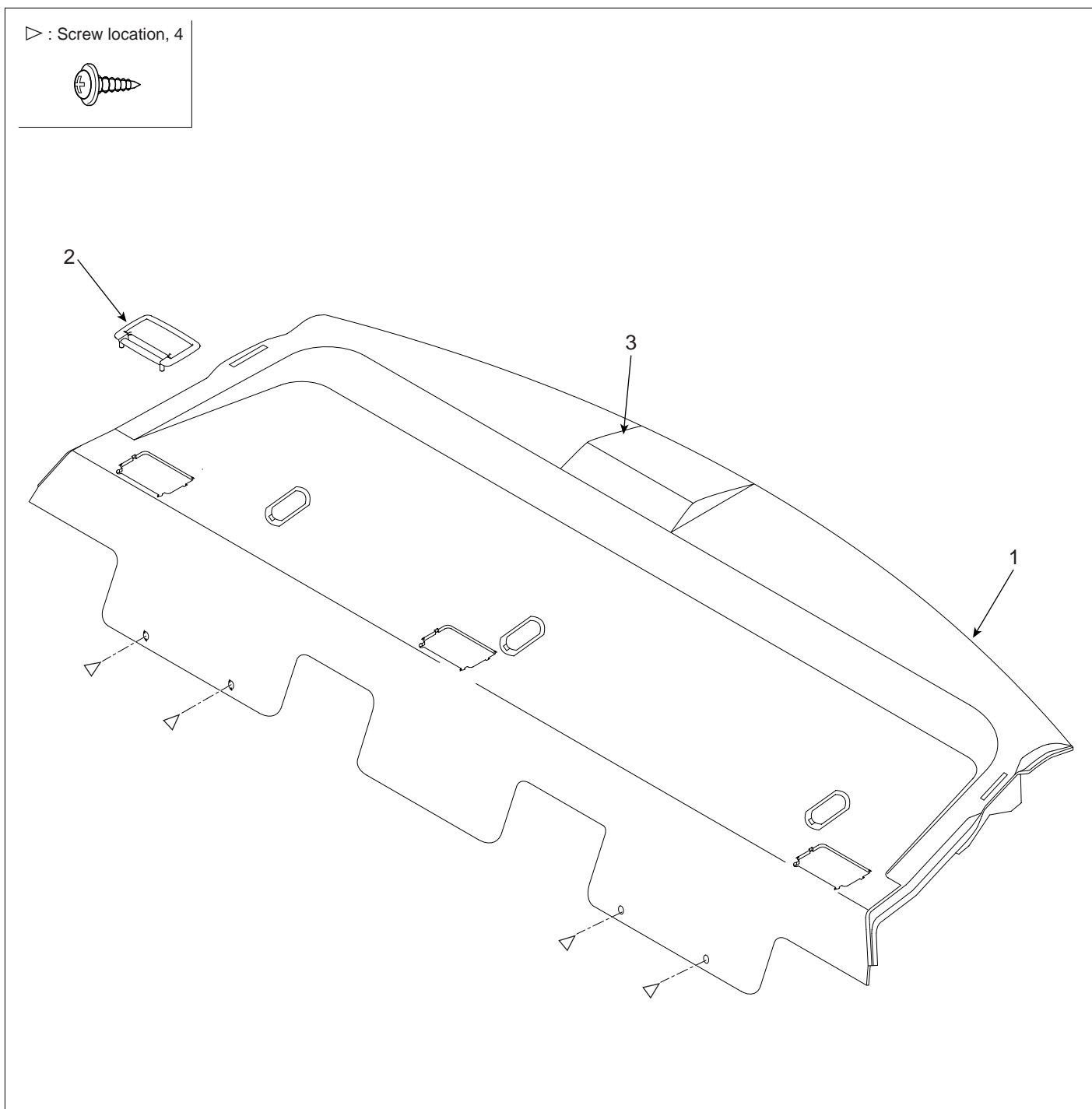
- Put on gloves to protect your hands.
- When prying with a flat-tip screwdriver, wrap it with protective tape to prevent damage.

- Take care not to bend or scratch the trim and panels.

2. Installation is the reverse of removal.

 **NOTE**

- Replace any damage clips.



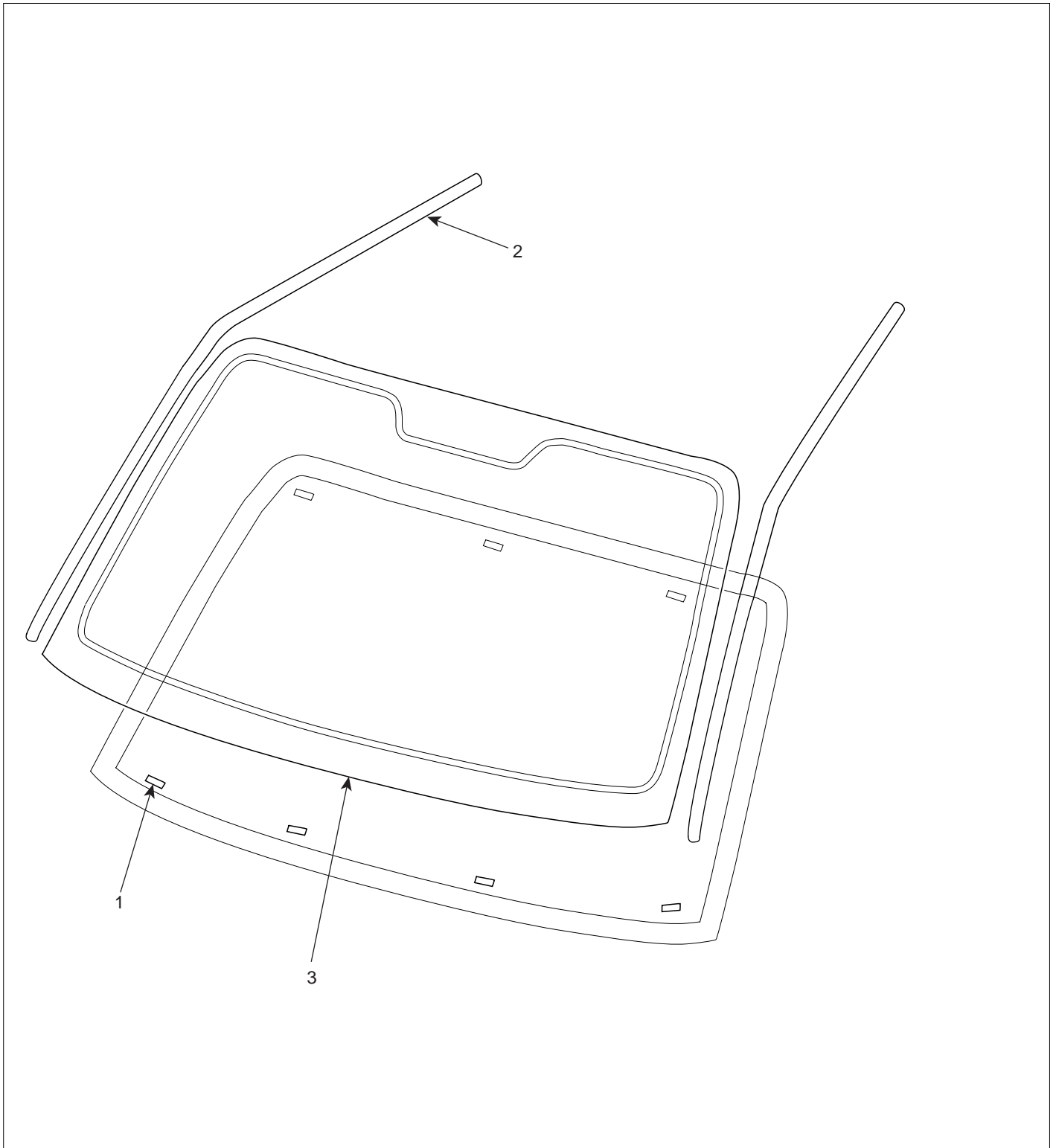
1. Package tray
2. Rear seat belt guide

3. High mount stop lamp

LSRE211C

WINDSHIELD GLASS

COMPONENTS K022BBDB



1. Glass pad
2. Wind shield molding

3. Wind shield glass

LSRE301A

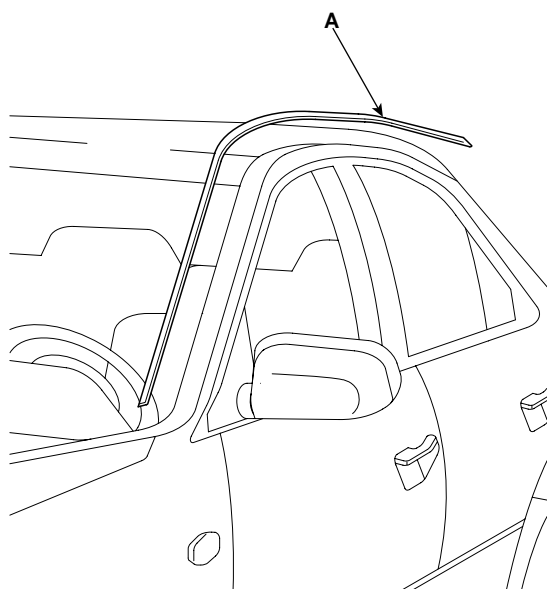
REPLACEMENT K79C1317

REMOVAL

 **NOTE**

- Put on gloves to protect your hands.
- Use seat covers to avoid damaging any surfaces.

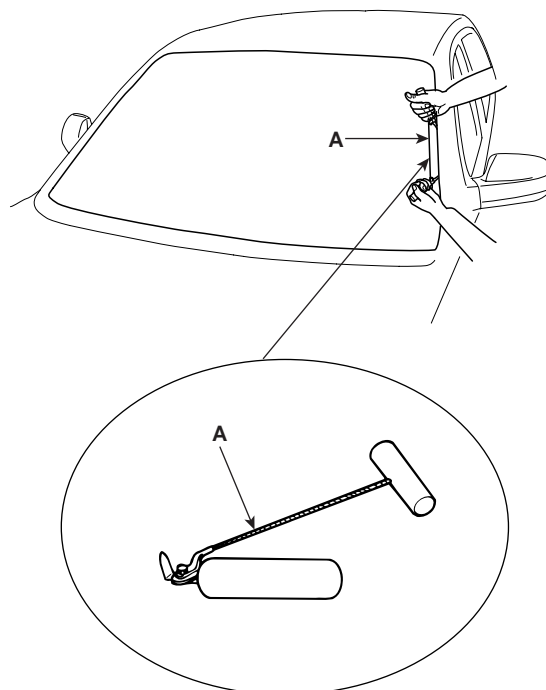
1. Remove the following items.
 - Inside rear view mirror (See page BD-47).
 - Sun visors and holders, both side, overhead console, grab handles, both sides(See page BD-62).
 - Front pillar trim, both sides (See page BD-60).
 - Windshield wiper arms and cowl cover (See page BE-“ Windshield wiper”).
2. Remove the windshield glass side molding(A).



LSRE017E

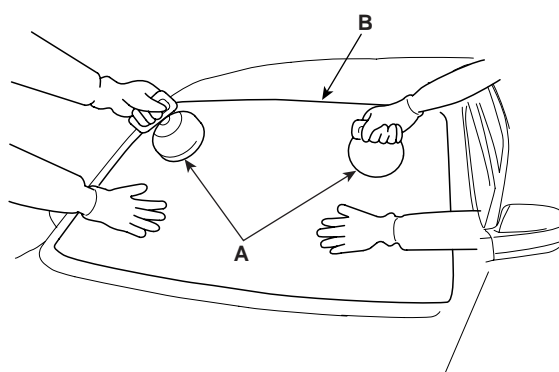
3. Pull down the front portion of the headliner. Take care not to bend the headliner excessively, or you may crease or break it.

4. Cut out the sealant using the sealant cutting tooln (A)(09861-31100).



LSRE220C

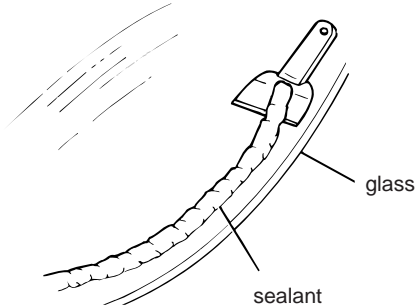
5. Remove the windshield (A) carefully using the glassholder (B)(09861-31100).



LSRE220D

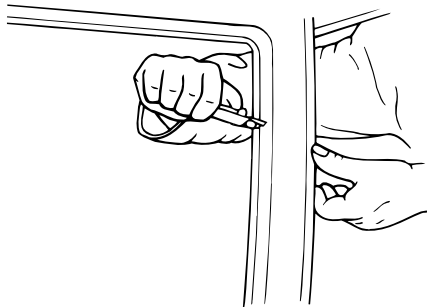
INSTALLTION

1. Remove the excess sealant from the glass with a window scraper.



LSRE017G

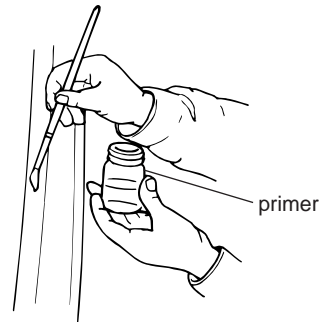
2. Remove the excess sealant and foam dam from the body with a knife.



LSRE017H

3. Clean the inside of the glass with commercial glass cleaner and a lint-free cloth.
4. Prime an area approximately 20 mm(3/4 inch) wide around the complete perimeter of the glass.

5. Prime the contact area on the body.



LSRE017K

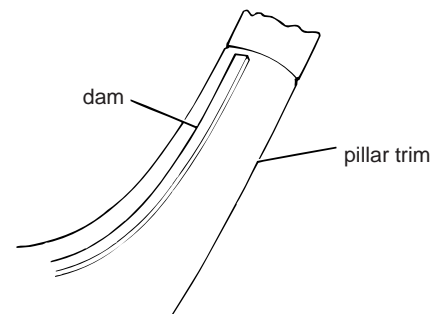
6. Reprime the same area on the inside surface of the glass.



CAUTION

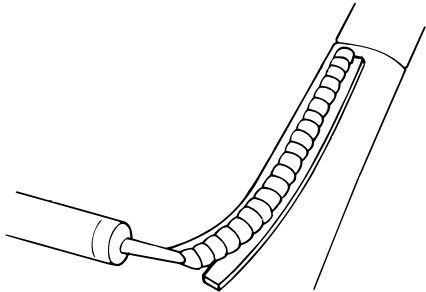
Do not permit any primed surface to become contaminated with dirt, water, oil, etc.
Do not touch primed surfaces with your hands.
Contamination will affect adhesion.

7. Install the self-adhesive foam dam to the body where the original dam had been.



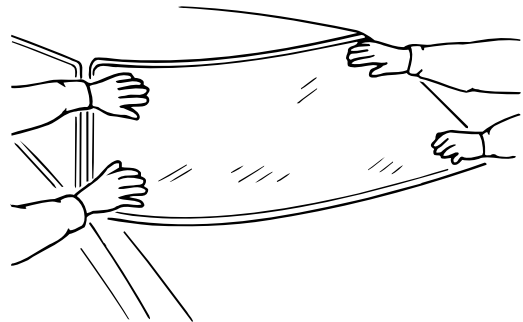
LSRE017L

8. Apply the sealant bead to the body just outside the dam. The bead should be slightly higher than the dam.



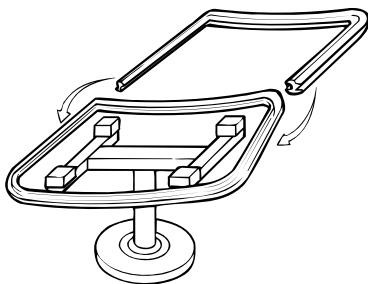
LSRE017M

11. Press glass firmly into place.



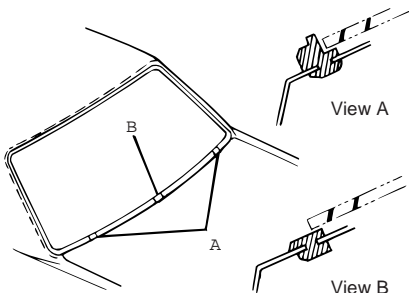
LSRE017Q

9. Install molding on the glass.

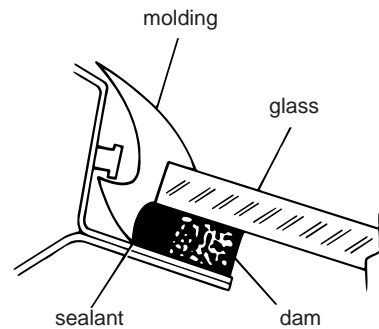


LSRE017N

10. Install the glass into the body making sure the glass rests upon the two spacers at the bottom of the windshield.



LSRE017P



LSRE017R

CAUTION

Lower both front door windows and leave them in that condition until the vehicle can be put back into service. If the vehicle were completely closed, quickly closing a door could break the seal.

12. Remove excess sealant, if any.
13. Press molding molding firmly into place.
14. Perform water leak test immediately.
15. Clean the outside of the windshield.
16. Install both of the front pillar trim.
17. Install the inside rearview mirror.
18. Install the cowl top cover with three fasteners.
19. Install both wiper arm assemblies with one nut each.

BUMPER

FRONT BUMPER

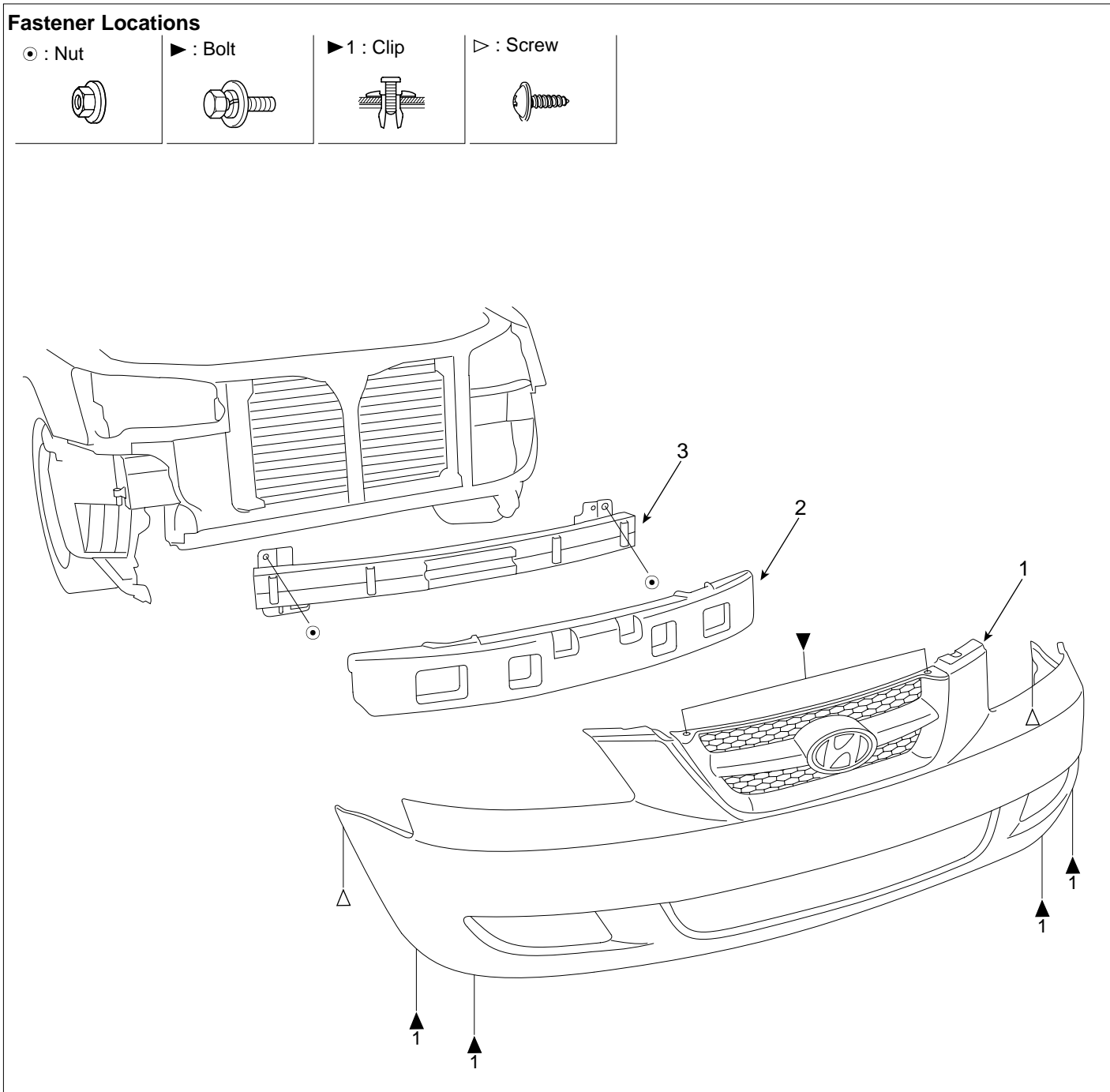
REPLACEMENT K770581A

2. Remove the headlamp.

 **NOTE**

- Put on gloves to protect your hands.
- When prying with a flat-tip screwdriver, wrap it with protective tape to prevent damage.

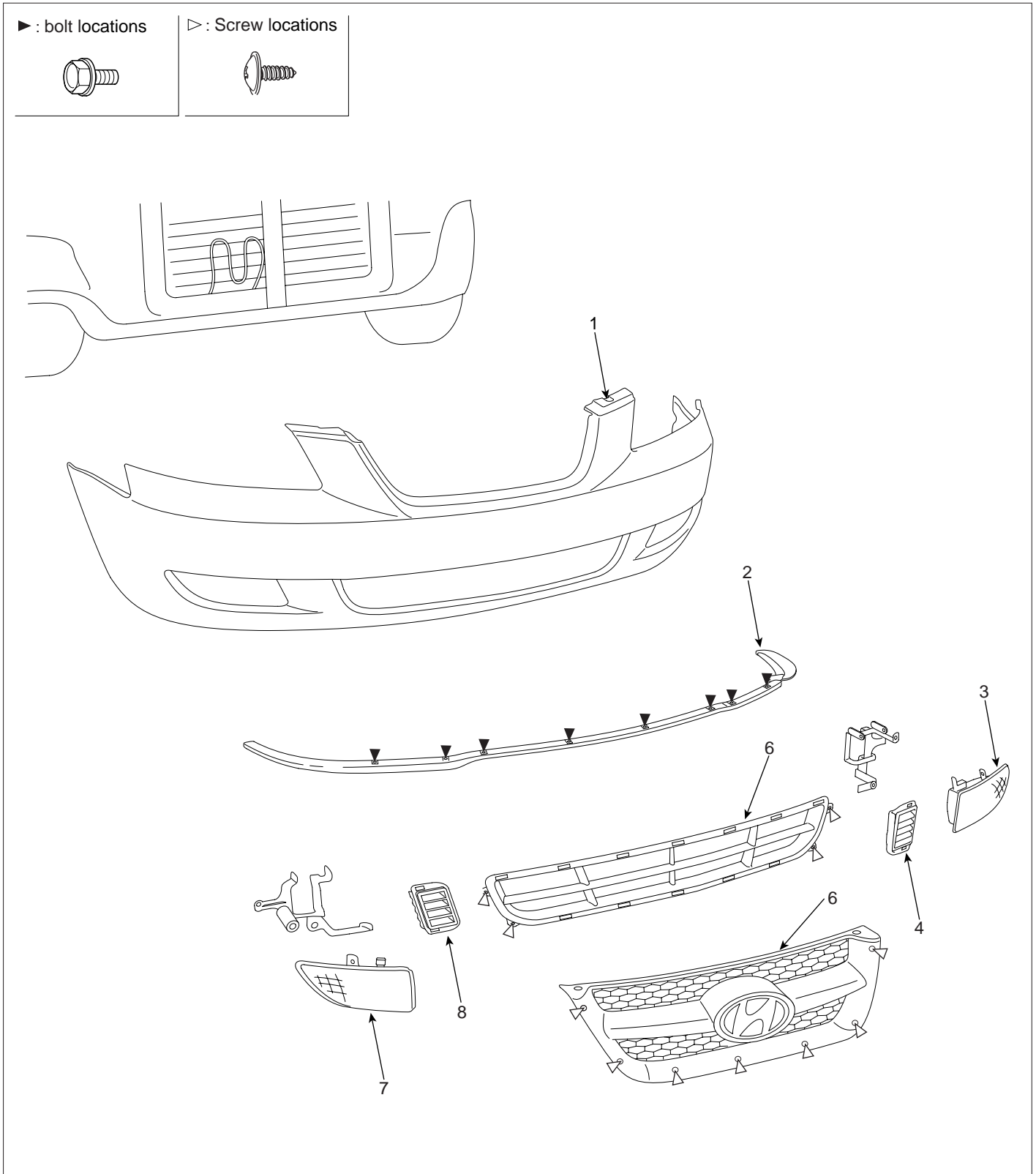
1. Remove the radiator upper cover (See page BD-11).



1. Front bumper cover

2. Front bumper energy absorber foam

3. Front bumper rail



- 1. Front bumper cover
- 2. Front bumper lip
- 3. Fog lamp

- 4. Fog grille
- 5. Radiator grille
- 6. Bumper grille

- 7. Fog lamp
- 8. Fog grille

LSRE290B

BD -70

BODY (INTERIOR AND EXTERIOR)

REAR BUMPER

REPLACEMENT KCE4A80A

NOTE

- After remove the rear combination lamp.

- When prying with a flat-tip screwdriver, wrap it with protective tape, and apply protective tape around the related parts your hands.
- Put on gloves to protect your hands.
- Take care not bend or scratch the cover and other parts.
- Replace any damage clips.

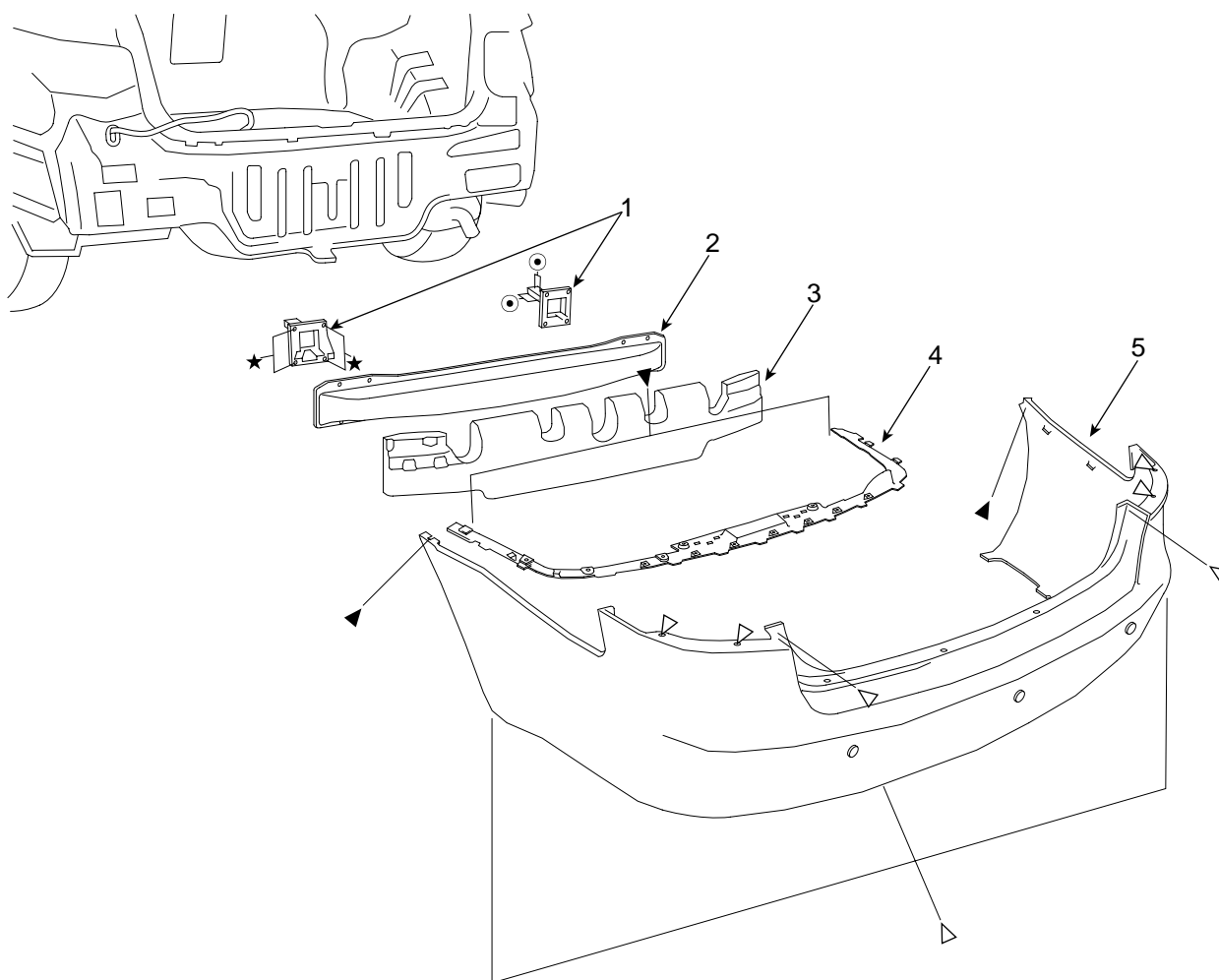
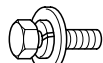
Fastener Locations

► : Screw

▷ : Clip

○ : Bolt

★ : Nut



1. Rear bumper stay
2. Rear bumper beam
3. Energy absorber

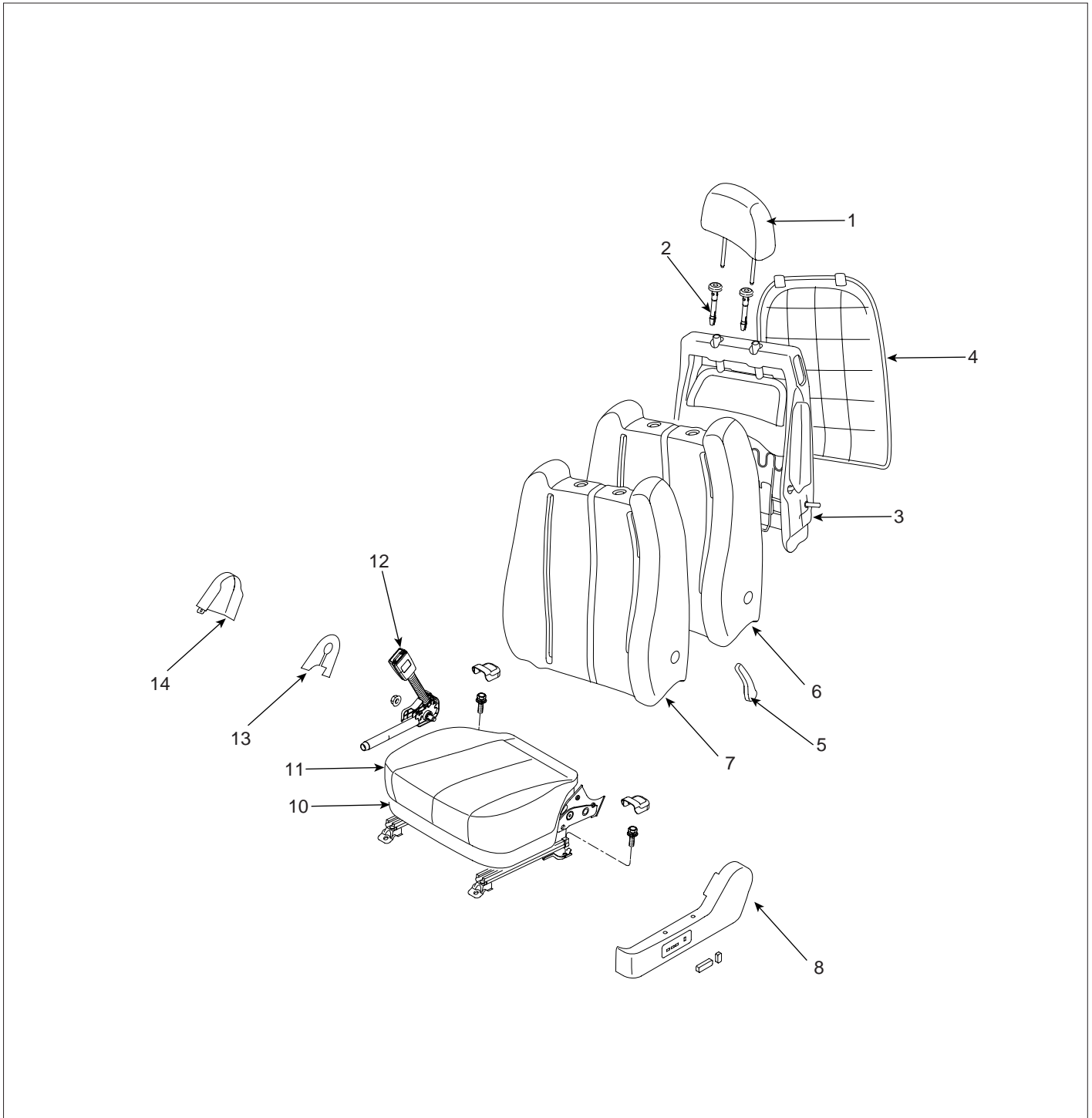
4. Under cover
5. Rear bumper cover

LSRE300A

SEAT

FRONT SEAT

COMPONENTS K0ADD8D



- 1. Headrest
- 2. Headrest guide
- 3. Back frame
- 4. Back panel

- 5. Lumbar support lever
- 6. Seat back
- 7. Seat back frame
- 8. Power sild cover

- 9. Cover
- 10. Seat cushion
- 11. Seat cushion cover
- 12. Seat back buckle

LSRE340A

REPLACEMENT KABB03C0

SEAT ASSEMBLY REPLACEMENT

1. Remove the seat assembly mounting cover (A).
2. After loosening the seat assembly mounting bolt and nut, remove the seat assembly (B).

Fastener Locations

⊙ : Bolt, 1

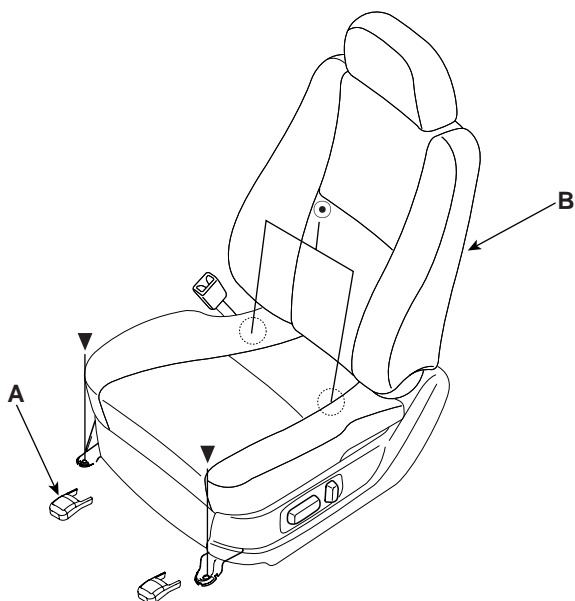


34.5~53.9N·m
(3.5~5.5kgf·m,
25.3~39.8 lb·ft)

▶ : Nut, 2

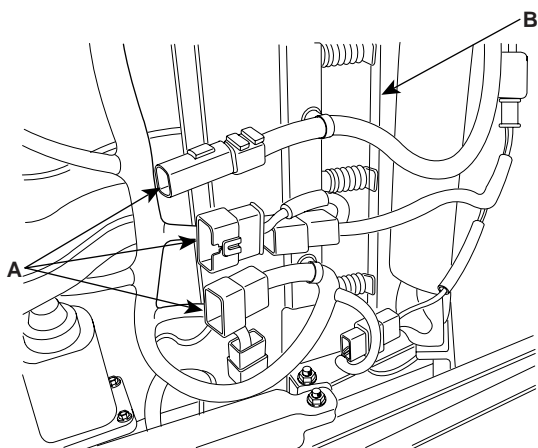


23.5~35.9N·m
(2.4~3.6kgf·m,
17.4~26.0 lb·ft)



LSRE340B

3. Disconnect the connector (A), and remove the seat assembly.



LSRE340J

4. Installation is the reverse of removal.



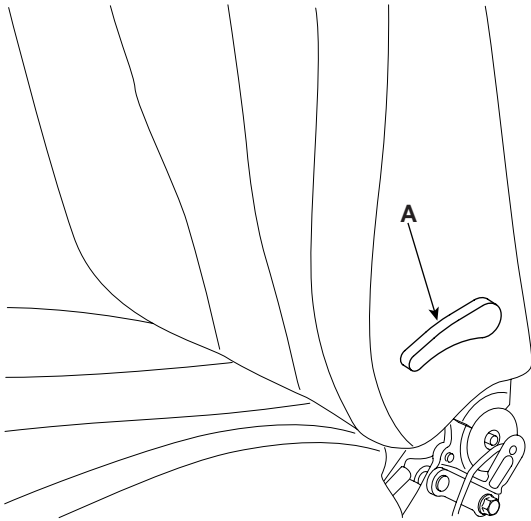
CAUTION

SEAT MOUNTING BOLT INSTALLATION PROCEDURE

- Set the into the most rearward position. Check then each slide is locked, and then tighten the front mounting bolt temporarily.
- Set the seat into most forward position. Check that each slide is locked, and then Tighten the rear mounting bolt completely.
- Set the seat into the most rearward position. Check the front mounting bolt completely.
- Check that the seat operates to and fro smoothly and the locking portion locks properly.

LUMBER SUPPORT LEVER REPLACEMENT

1. Remove the lumbar support lever (A).



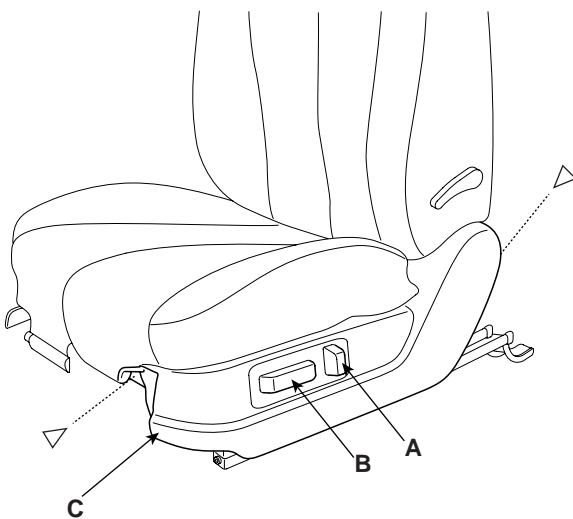
LSRE340D

2. Installation is the reverse of removal.

RECLINER COVER, KNOB AND HEIGHT KNOB REPLACEMENT

1. Remove the height adjuster knob (A) and recliner lever (B).
2. Loosen the recliner mounting screw and clip, then remove the recliner cover (C).

▷ : Screw locations, 2

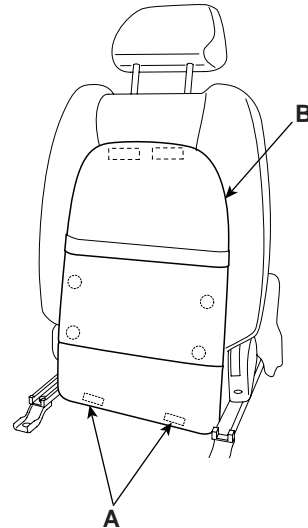


LSRE340E

3. Installation is the reverse of removal.

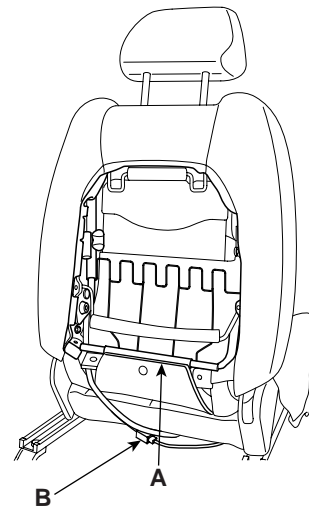
SEAT BACK COVER REPLACEMENT

1. Remove the lumbar support lever (See page BD-73).
2. After disconnecting the scuff band (A), remove the seat back panel (B).



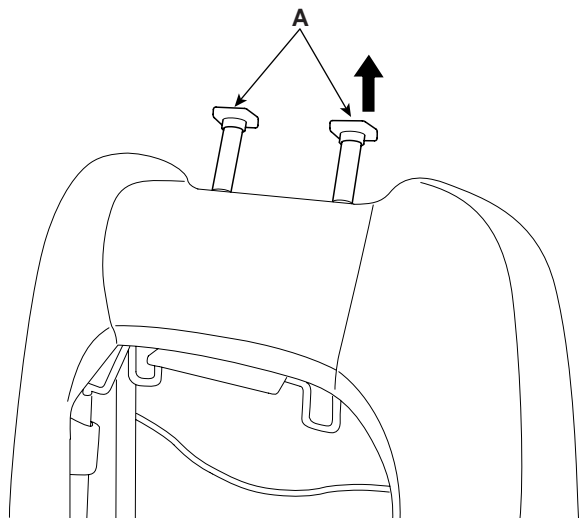
LSRE340F

3. After disconnect the protector (A) from the back frame, then disconnect the connector (B).



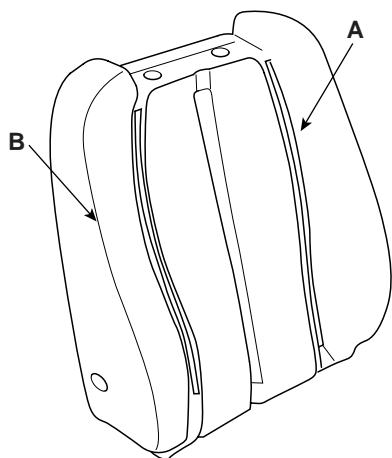
LSRE340G

4. Remove the headrest and headrest guide (A).



LSRE340H

5. After removing the hogring clips (A) on the front of seat back remove the seat back cover (B).

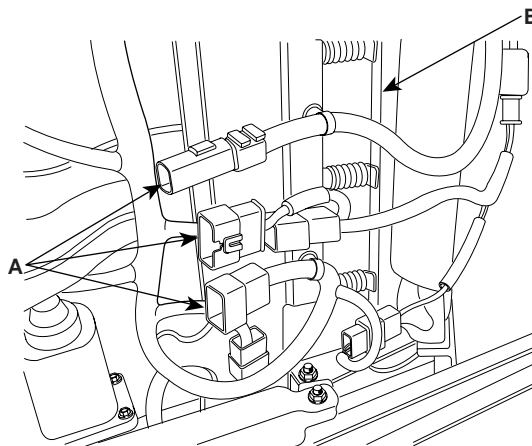


LSRE340I

6. Installation is the reverse of removal.

SEAT CUSHION COVER REPLACEMENT

1. Remove front seat assembly (See page BD-72).
2. Remove the scuff band.
3. After disconnect the protector (B) from the back frame, then disconnect the connector (A).



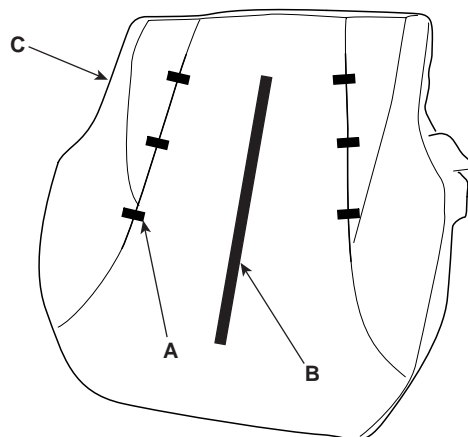
LSRE340J

4. After removing the hogring clip (A) on the front of seat cushion and remove the seat cushion cover (C).



CAUTION

When removing the hogring clip, remove the hogring clip while pressing the wire so as not to separate the wire from the sponge.

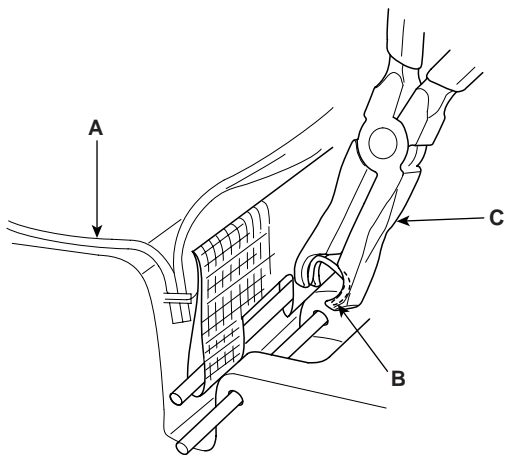


LSRE430K

5. Installation is the reverse of removal.

 **NOTE**

- To prevent wrinkles, make sure the material is stretched evenly over the over (A) before securing the hogring clips (B).
- Replace the hogring clips with new ones using special tool (C).



LSRE340L

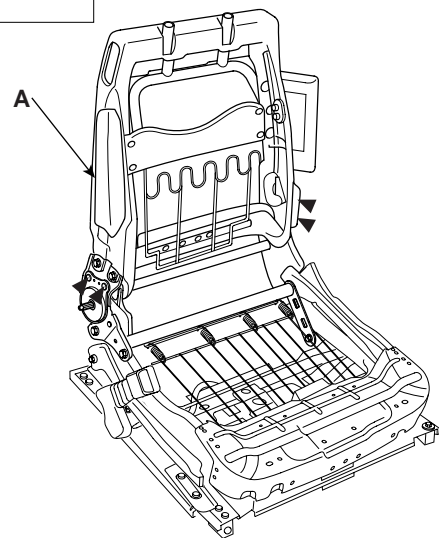
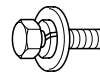
SEAT BACK FRAME REPLACEMENT

1. Remove the lumbar support (See page BD-73).
2. Remove the seat back panel (See page BD-73).
3. Remove the headrest guide (See page BD-74).
4. Remove the seat back cover and pad from frame.
5. Loosen the mounting bolts, then remove the seat back frame (A).

 **NOTE**

- Remove the side air bag for replacing side air bag installation seat.
- Before service, be fully aware of precautions and service procedure relevant to air bag (See page RT-Airbag).

▶ : Bolt, 4



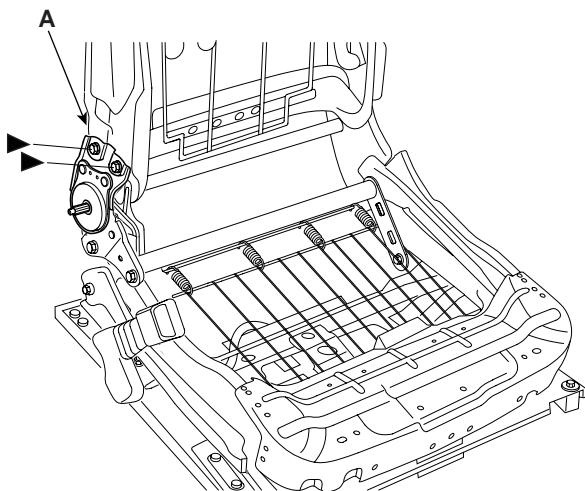
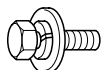
LSRE340M

6. Installation is the reverse of removal.

SEAT TRACK REPLACEMENT

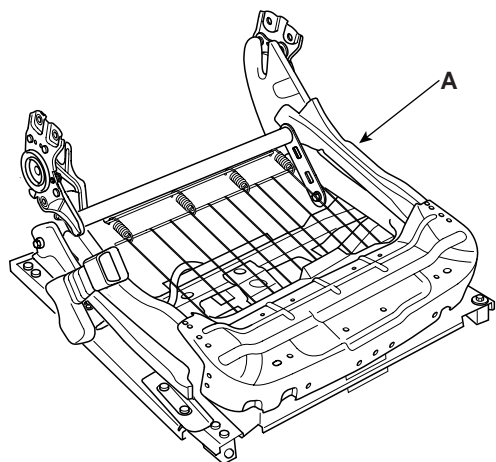
1. After removing the seat back panel, disconnect the protector.
2. Remove the recliner cover, knob and height knob (See page BD-73).
3. Remove the seat assembly (A).

▶: Bolt, 4



LSRE340N

4. Remove the seat cushion (See page BD-74).
5. Remove the seat track (A).

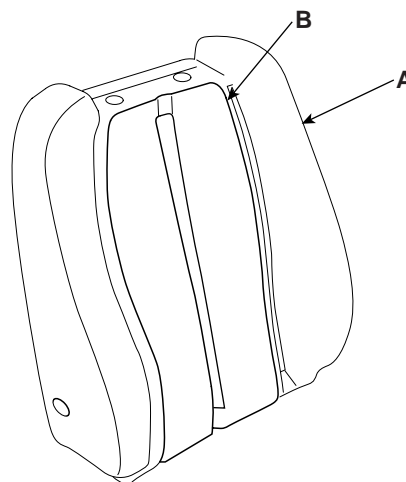


LSRE340O

6. Installation is the reverse of removal.

SEAT BACK HEATER REPLACEMENT

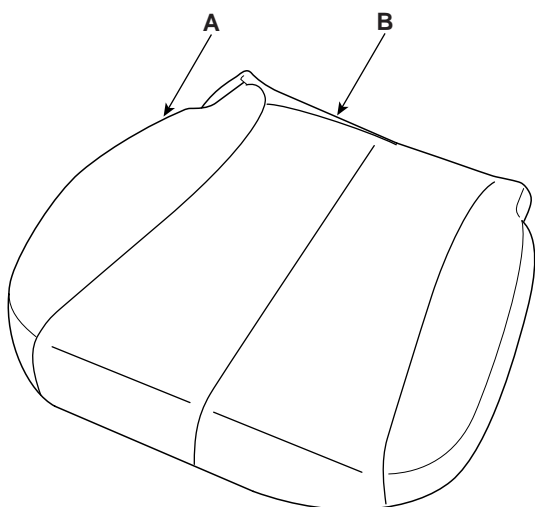
1. Remove the seat back cover (See page BD-74).
2. Cut the heater (A) attached to the pad (B), as shown in the picture.
3. Take off the paper from the backside of the heater assembly.
4. Attach the heater to the main part of pad.
5. Install the seat back cover.



LSRE340P

SEAT CUSHION HEATER REPLACEMENT

1. Remove the seat back cover (See page BD-73).
2. Cut the heater (A) attached to the pad (B), as shown in the picture.
3. Take off the paper from the backside of the heater assembly.
4. Attach the heater to the main part of pad.
5. Install the seat back cover.



LSRE340Q

REAR SEAT

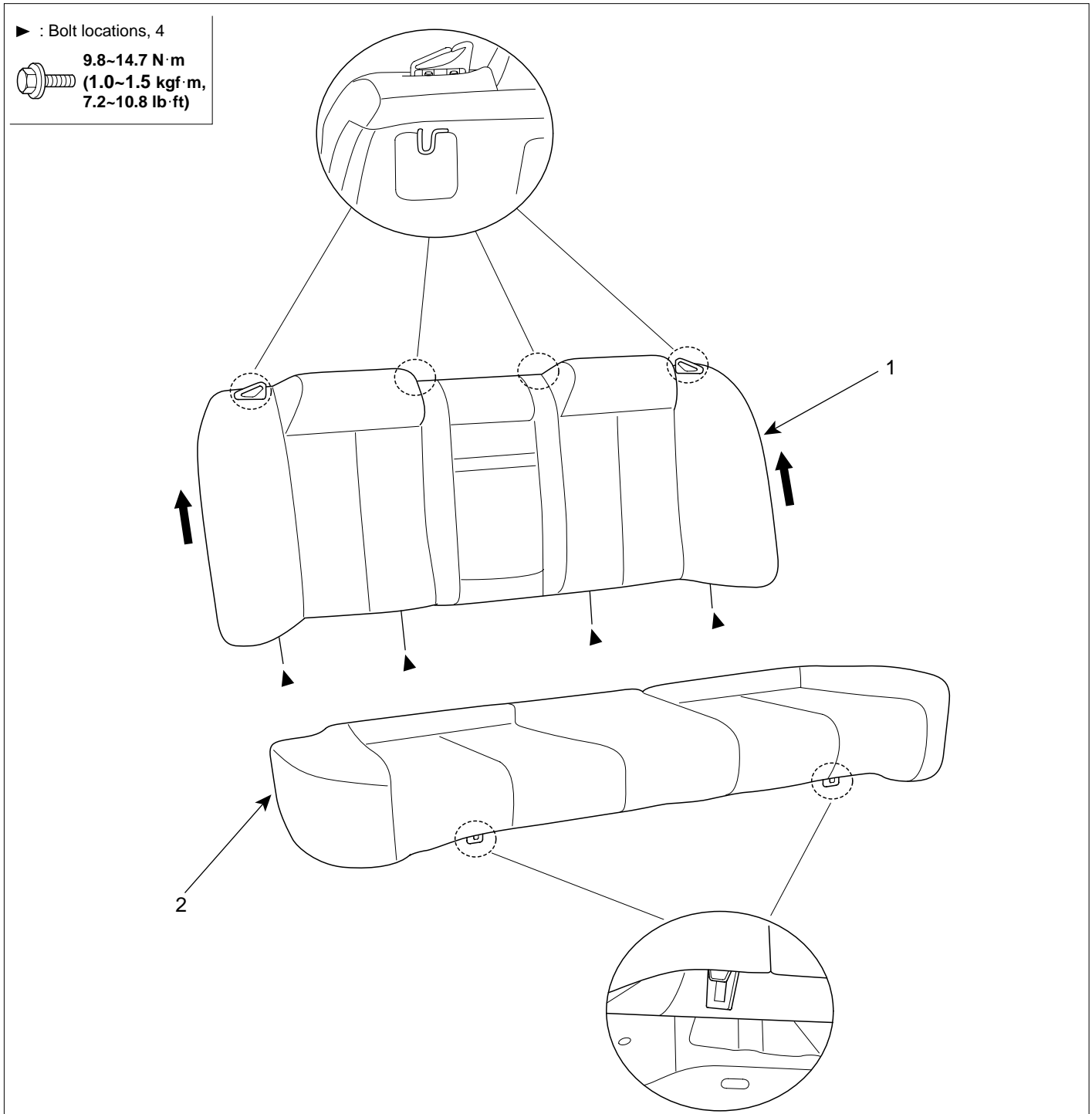
REPLACEMENT

K0E6FDBB

SEAT ASSEMBLY REPLACEMENT

1. Remove the rear seat cushion.

2. Remove the rear seat back.
3. Installation is the reverse of removal.



1. Seat back

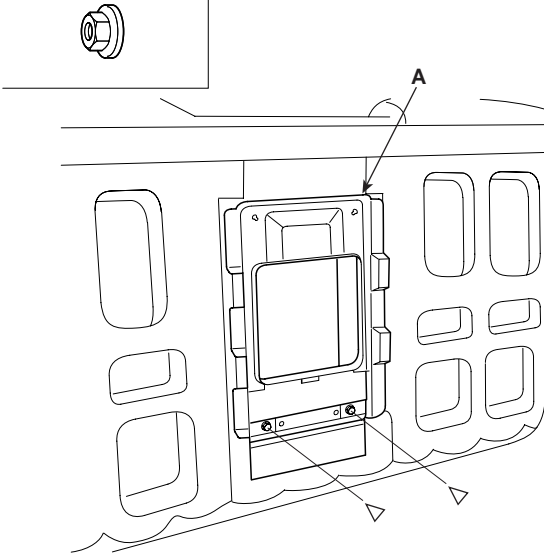
2. Seat cushion

LSRE350A

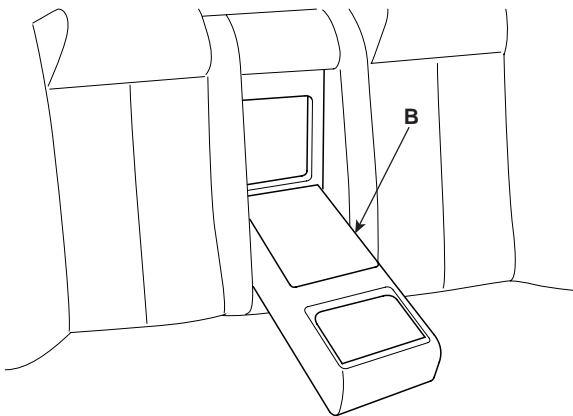
ARMREST REPLACEMENT

1. Loosening the armrest cover mounting screw.
2. After disconnecting the armrest cover (A), remove the armrest (B).

▷ : Nut locations, 2



LSRE350B

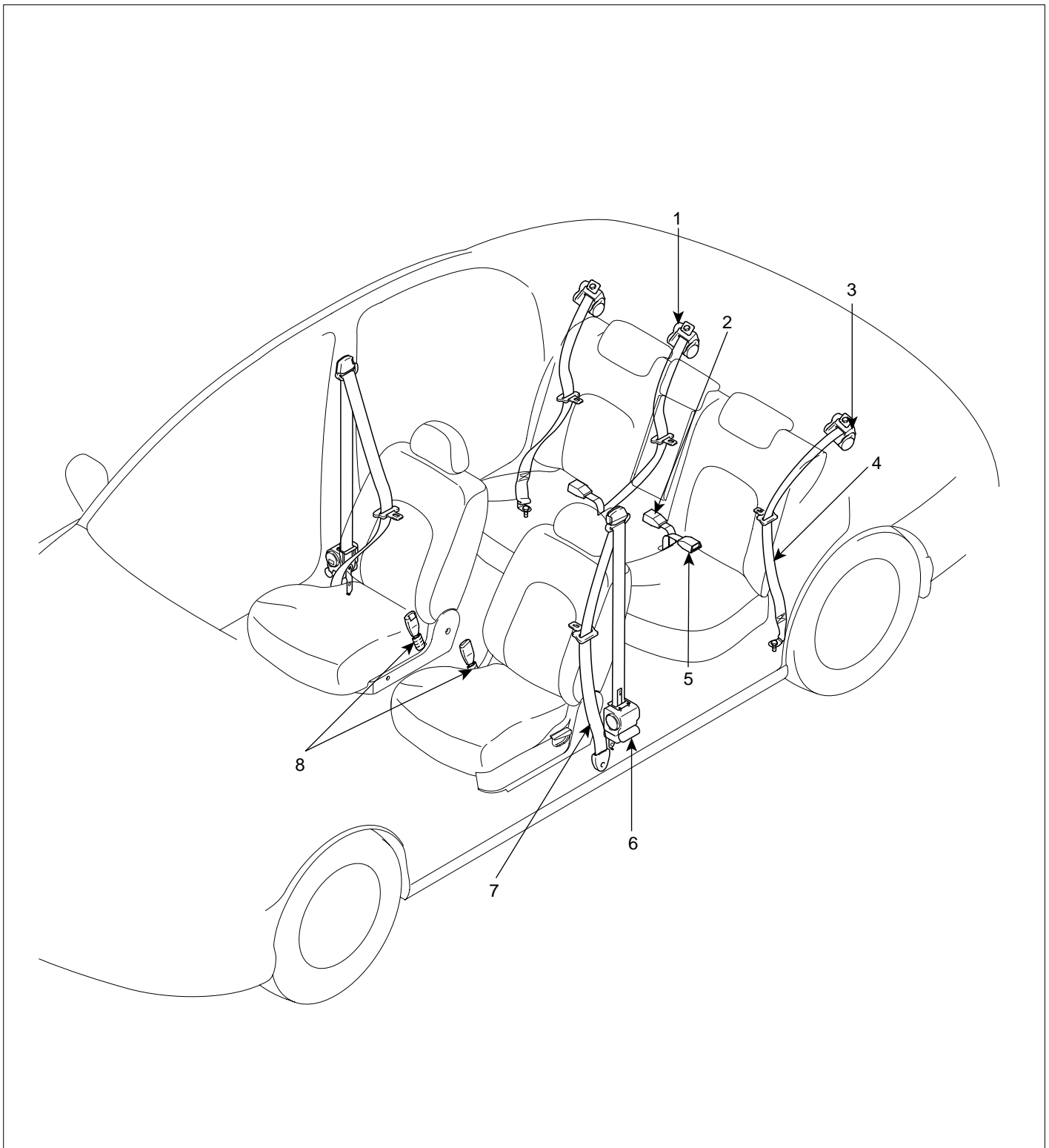


LSRE350C

3. Installation is the reverse of removal.

SEAT BELT

COMPONENTS KA945ED7



- 1. Rear center seat belt
- 2. Rear center seat buckle
- 3. Rear seat belt retractor

- 4. Rear seat belt
- 5. Rear seat buckle
- 6. Front seat belt retractor

- 7. Front seat belt
- 8. Front seat buckle

LSRE390A

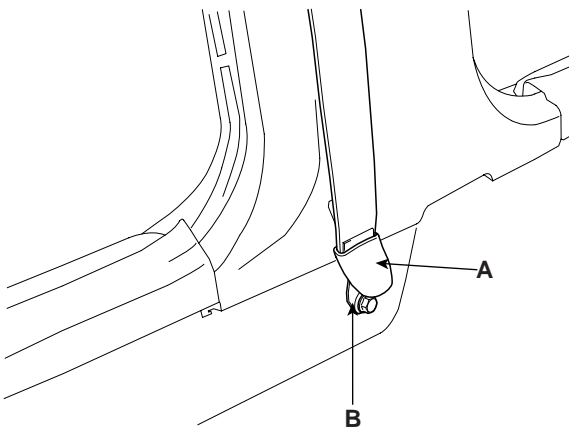
REPLACEMENT KCE31A61

FRONT SEAT BELT REPLACEMENT

 **CAUTION**

When installing the belt, make sure not to damage the pretensioner.

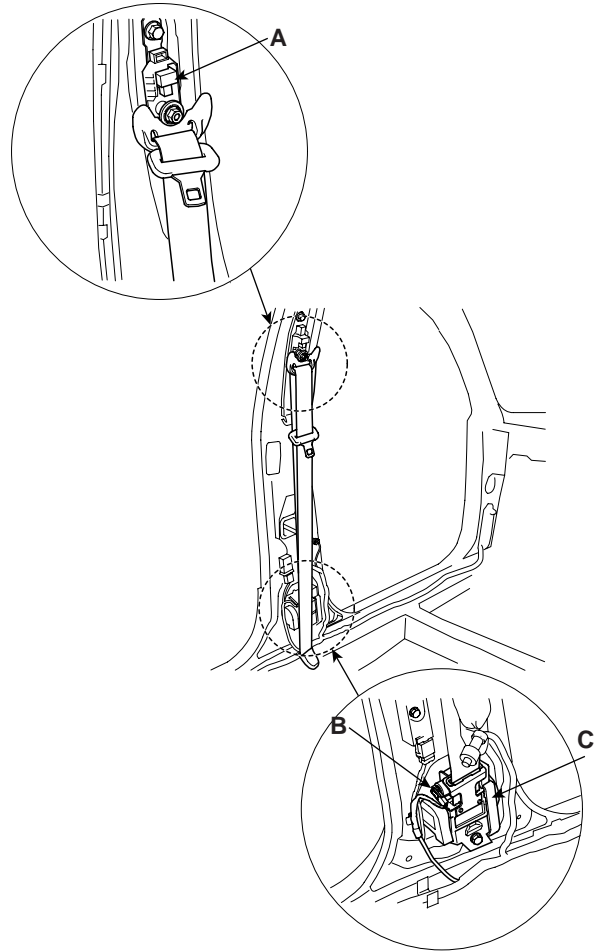
1. Remove the following items first.
 - Front seat assembly (See page BD-72).
 - Front and rear door scuff trim (See page BD-60).
2. After raise the lower anchor cover (A), loosen the lower anchor mounting bolt (B).



LSRE380B

3. Remove the center pillar lower trim (See page BD-60).
4. Remove the center pillar upper trim (See page BD-60).

5. Remove the upper anchor (A).



LSRE380A

6. After disconnecting the pretensioner connector lock pin, remove the connector (B), Loosen the mounting bolt, then remove the pretensioner (C).

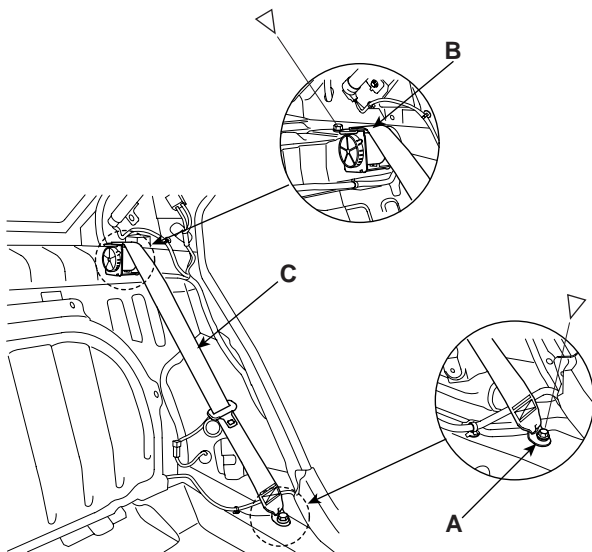
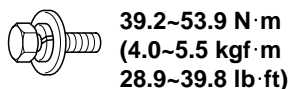
REAR SEAT BELT RELACEMENT

 **CAUTION**

When installing the belt, make sure not to damage the pretensioner.

1. Remove the following items first.
 - Rear seat assembly (See page BD-72).
 - Front and rear door scuff trim (See page BD-60).
 - Rear filler trim (See page BD-60).
2. Remove the lower anchor (A).
3. Remove the package tray trim (See page BD-63).
4. After loosening the retractor (B) mounting bolt, remove the rear seat belt (C).

▷ : Bolt locations, 2

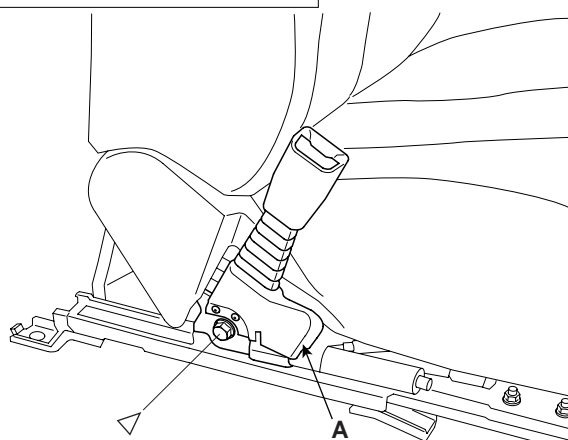
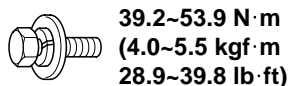


LSRE380G

FRONT SEAT BELT BUCKLE REPLACEMENT

1. Remove the following items first.
 - Front seat assembly (See page BD-72).
2. Remove the wire harness of buckle from seat.
3. Remove the seat belt buckle (A).
4. Installation is the reverse of removal.

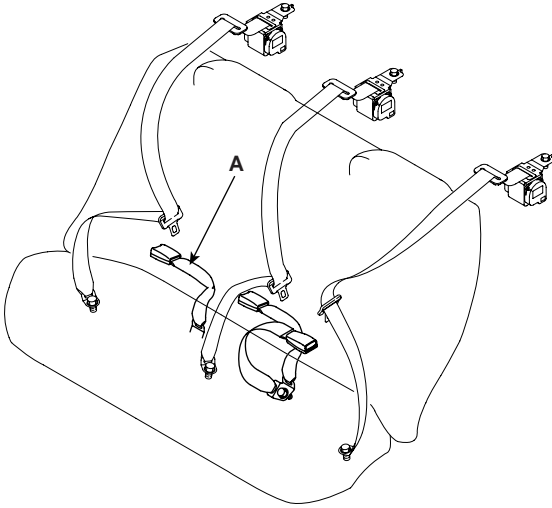
▷ : Bolt locations, 1



LSRE380I

REAR SEAT BELT BUCKLE REPLACEMENT

1. After cushion frame hinge mounting bolt, fold the cushion (See page BD-78).
2. Remove the seat belt buckle (A).



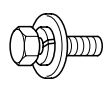
LSRE380J

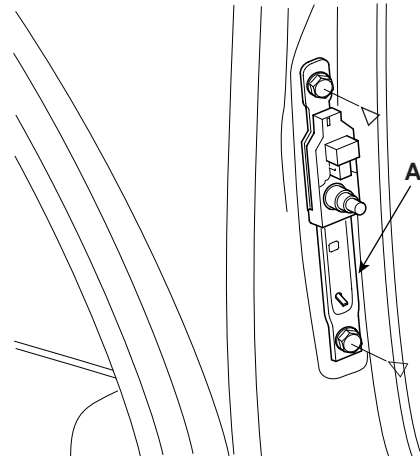
3. Installation is the reverse of removal.

HIGHT ADJUSTER REPLACEMENT

1. Remove the following items first.
 - Front seat assembly (See page BD-72).
 - Front and rear door scuff trim (See page BD-60).
 - Front seat belt upper and lower anchor (See page BD-81).
 - Center pillar lower and upper trim (See page BD-60).
2. Loosen the mounting bolt, then remove the height adjuster (A).

▷ : Bolt locations, 2

 **39.2~53.9 N·m**
(4.0~5.5 kgf·m
28.9~39.8 lb·ft)



LSRE380K

3. Installation is the reverse of removal.