

Body (Interior and Exterior)

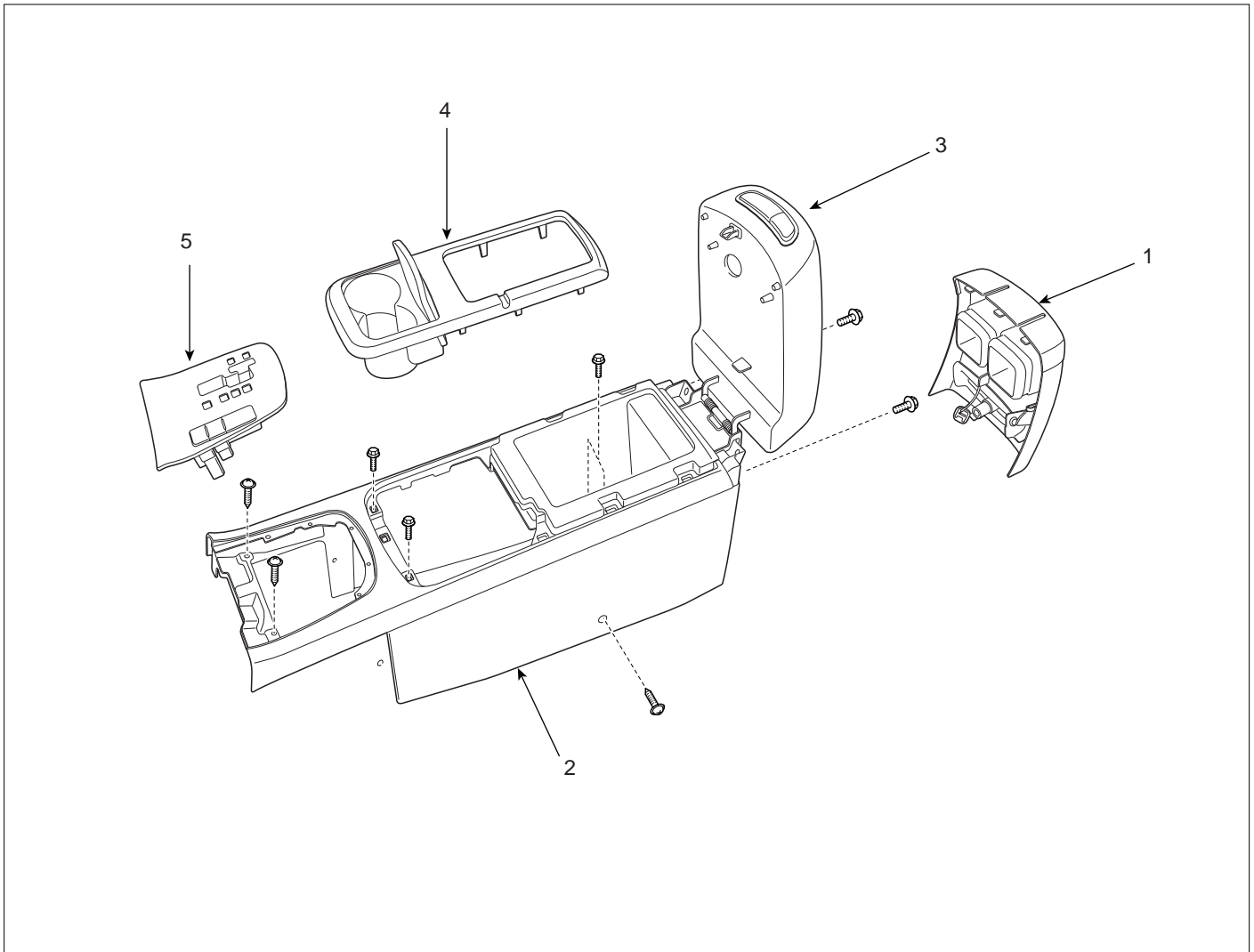
INTERIOR
CONSOLE

SEAT
FRONT SEAT

INTERIOR

CONSOLE

COMPONENTS ECD1F7CB



- 1. Console rear cover
- 2. Console assembly
- 3. Armrest

- 4. Console upper cover
- 5. Console upper cover

SGHBD6500N

REPLACEMENT EDA6CB4E

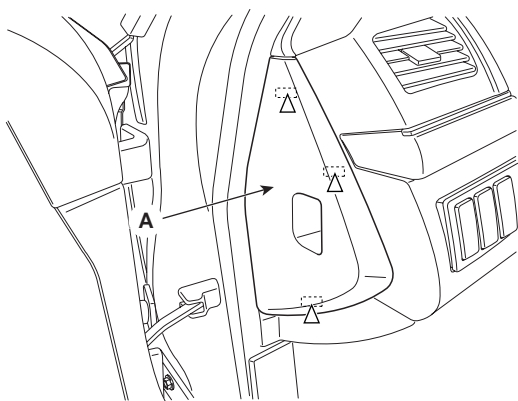
FLOOR CONSOLE REPLACEMENT

NOTE

- Use a suitable trim tool (not, screwdriver) when removing interior trim components.
- Put on gloves to protect your hands.

1. Remove the crash pad side cover (A).

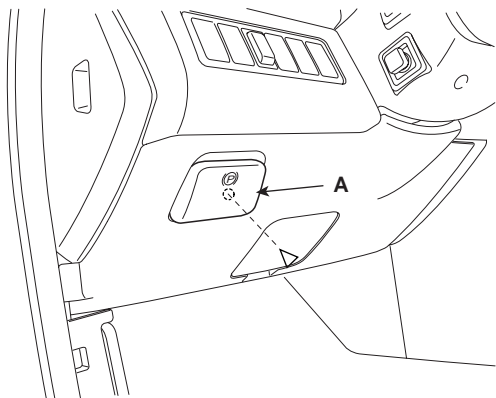
▷ : Clip locations



SGHBD6001L

2. After loosening the mounting screw, then remove the parking brake knob (A).

▷ : Screw locations

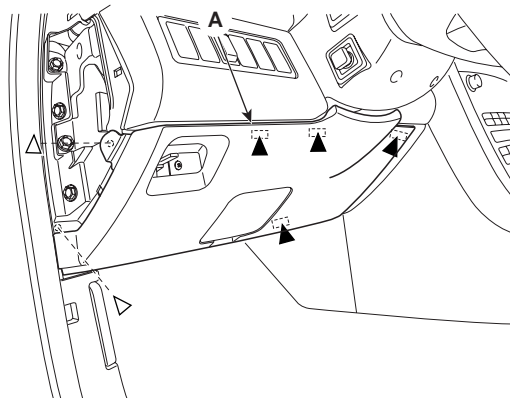


SGHBD6002L

3. After loosening the mounting screws, then remove the lower panel (A).

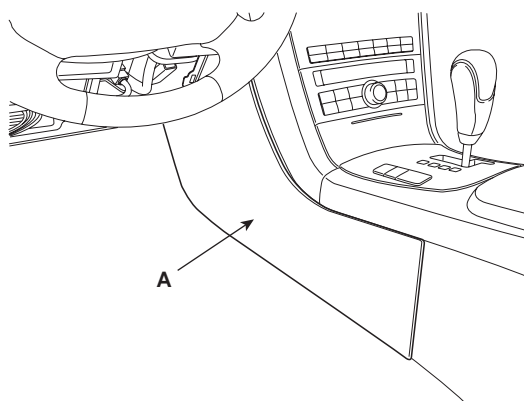
Fastener Locations

▷ : Screw ▶ : Clip



SGHBD6003L

4. Remove the console side cover (A).

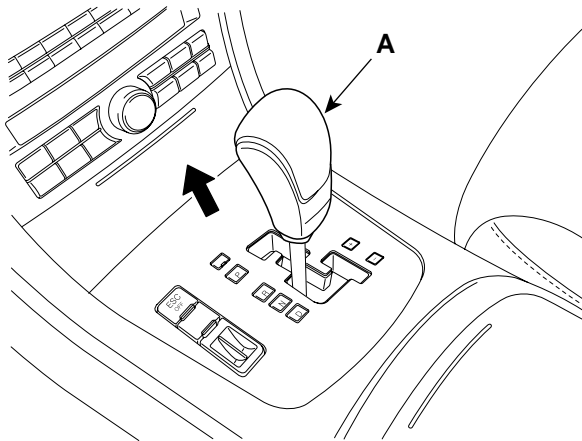


SGHBD6004D

BD -4

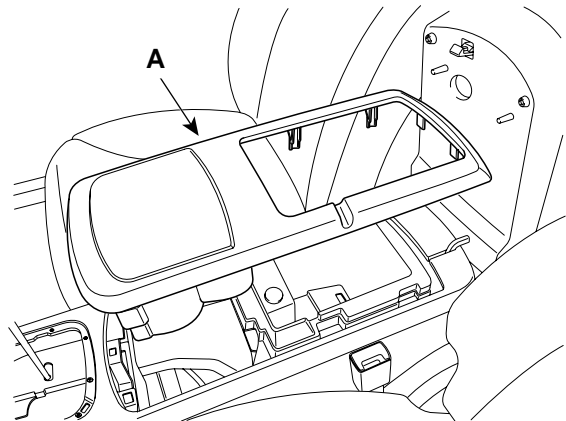
BODY (INTERIOR AND EXTERIOR)

5. Pull the knob (A) up, remove it.



SGHBD6005N

8. Remove the console under cover (A).



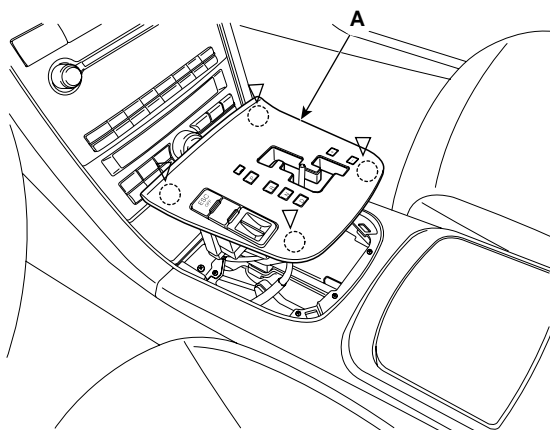
SGHBD6008N

6. Using a screwdriver, remove the console under cover (A).

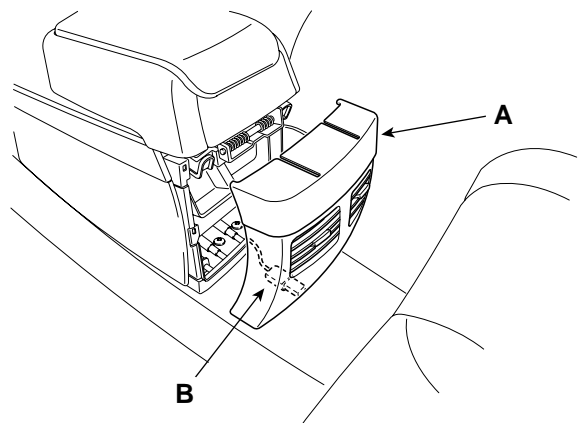
9. Remove the console rear cover (A).

10. Disconnect the connector (B).

▷ : Clip Locations

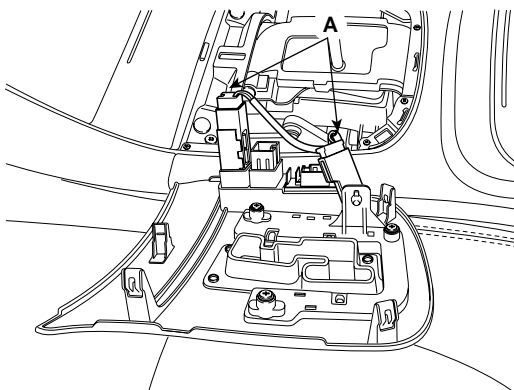


SGHBD6006N



SGHBD6009N

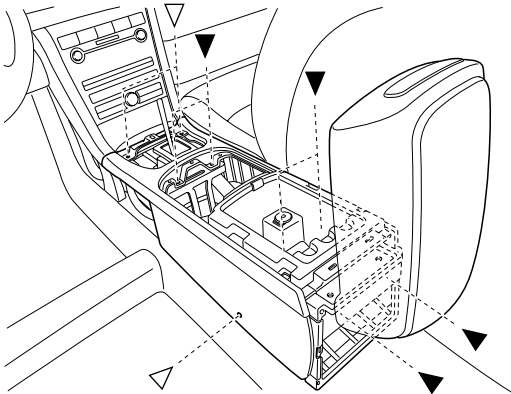
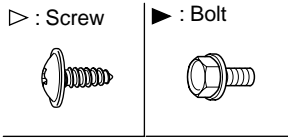
7. Disconnect the connector (B).



SGHBD6007N

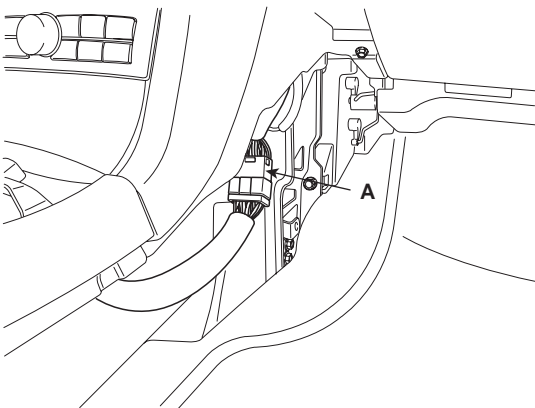
11. After loosening the mounting screws and bolts, then remove the lower panel (A).

Fastener Locations



SGHBD6012N

12. Disconnect the console main harness connector (A).



SGHBD6013D

13. Installation is the reverse of removal.

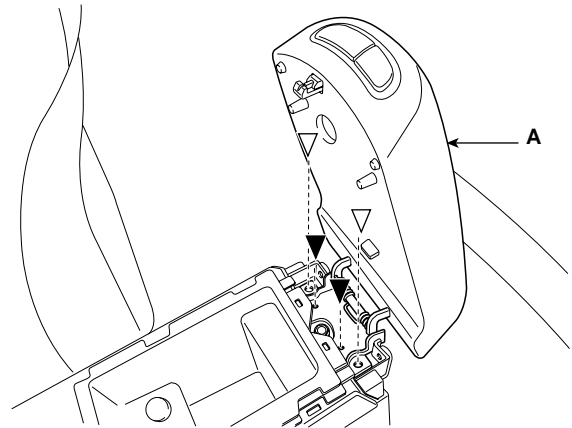
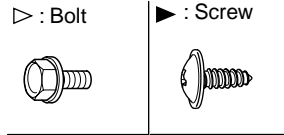
NOTE

- Make sure the connector is plugged in properly.
- Replace any damaged clips.
- When you assemble the gearshift lever knob, strike it with a rubber hammer after inserting the gearshift knob in a lever.

ARMREST REPLACEMENT

1. After loosening the mounting screws and bolts, then remove the armrest (A).

Fastener Locations



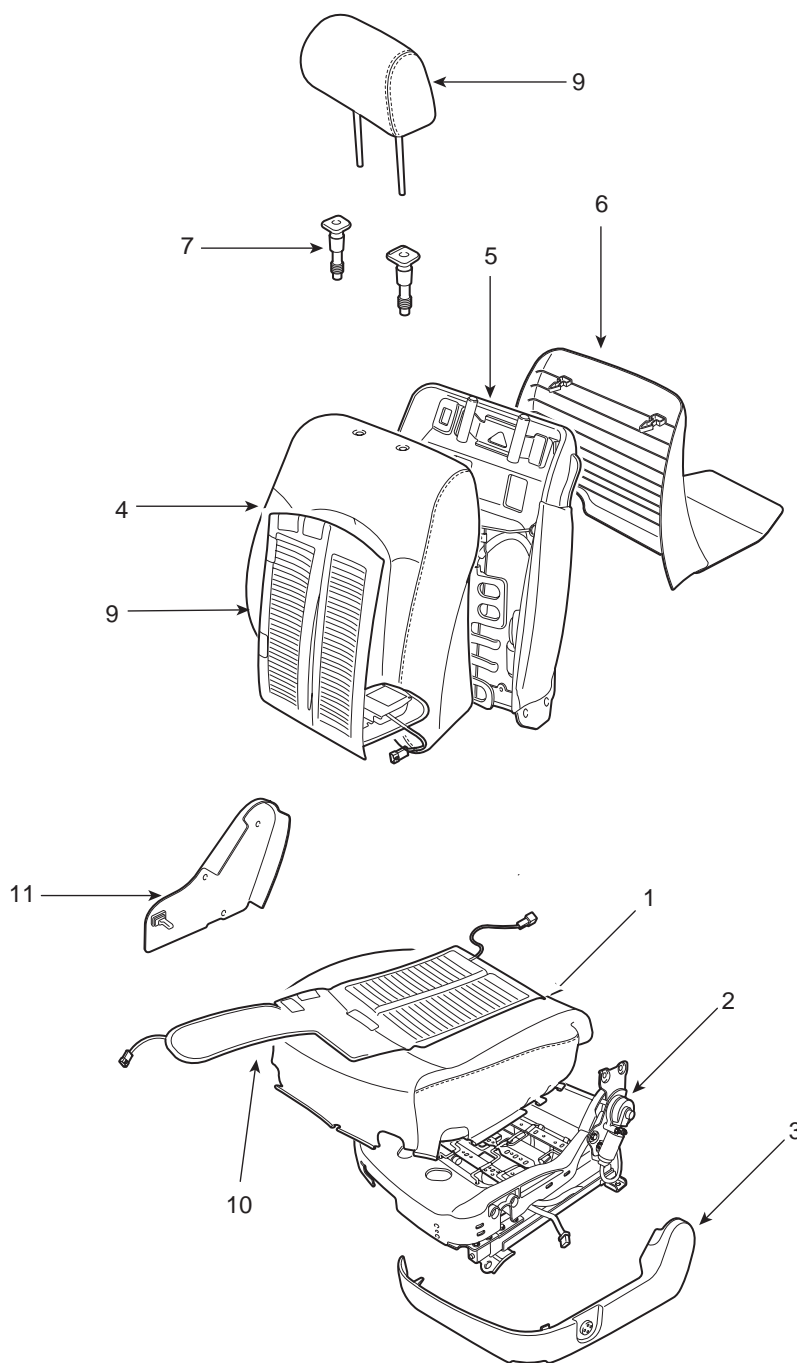
SGHBD6039N

2. Installation is the reverse of removal.

SEAT

FRONT SEAT

COMPONENTS E113CAA5



- 1. Seat cushion
- 2. Seat cushion frame
- 3. Recliner cover
- 4. Seat back cushion

- 5. Seat back frame
- 6. Back panel
- 7. Headrest guide
- 8. Headrest

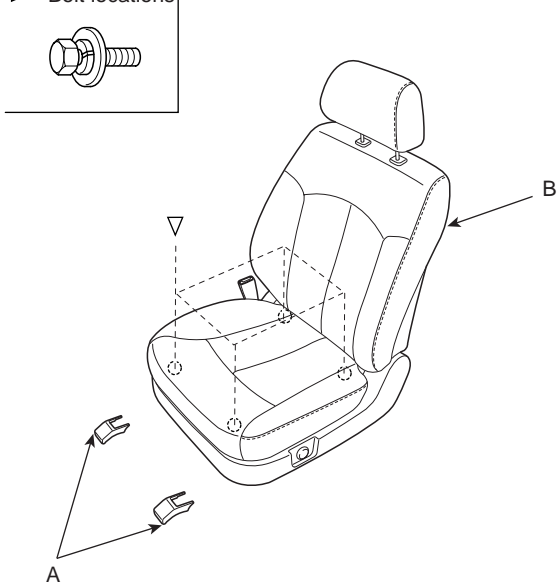
- 9. Seat back heater
- 10. Seat cushion heater
- 11. Recliner cover

REPLACEMENT EA293FEE

SEAT ASSEMBLY REPLACEMENT

1. Remove the seat assembly mounting cover (A).
2. After loosening the seat assembly mounting bolts and nuts, remove the seat assembly (B).

▷ : Bolt locations

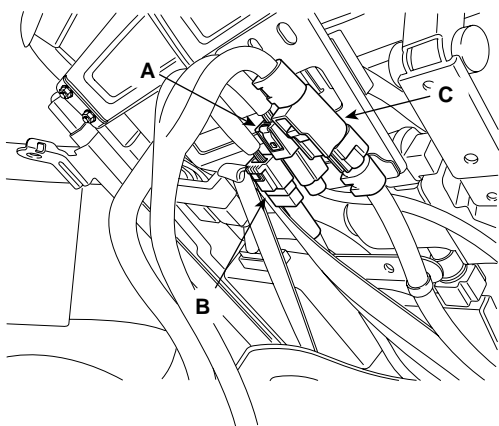


SGHBD6014L

3. Disconnect the connectors, and remove the seat assembly.

DRIVER'S

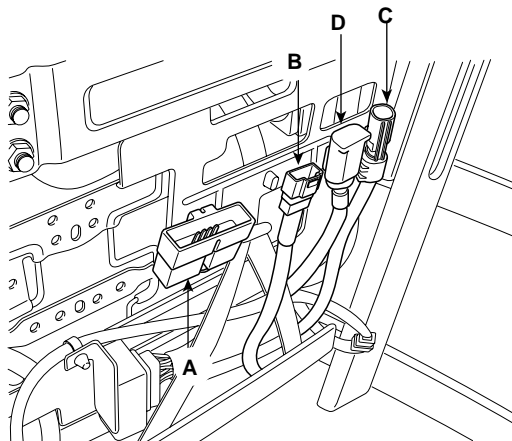
- Disconnect the power seat connector (A), seat belt buckle connector (B), airbag connector (C).



SGHBD6015N

PASSENGER'S

- Disconnect the power seat connector (A), seat belt buckle connector (B), airbag connector (C) OCS connector (D).



SGHBD6016N

4. Installation is the reverse of removal.

CAUTION

SEAT MOUNTING BOLT INSTALLATION PROCEDURE (manual seat only)

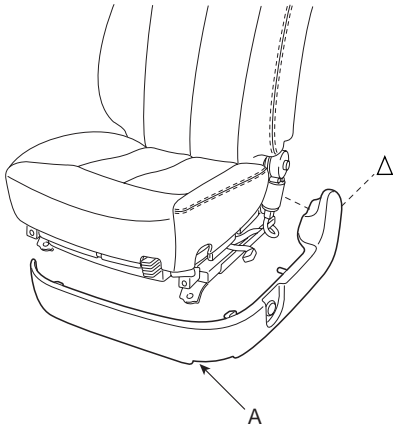
- Set the into the most rearward position. Check then each slide is locked, and then Tighten the front mounting bolt temporarily.
- Set the seat into most forward position. Check that each slide is locked, and then Tighten the rear mounting bolt completely.
- Set the seat into the most rearward position. Check the front mounting bolt completely.
- Check that the seat operates to and fro smoothly and the locking portion locks properly.

RECLINER COVER REPLACEMENT

DRIVER'S

1. After loosening the mounting screws, then remove the recliner cover (A).

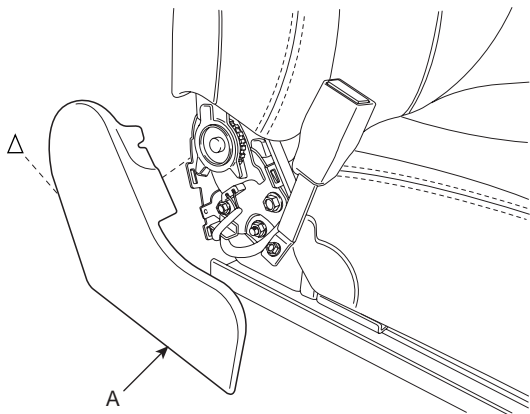
▷ : Screw locations



SGHBD6017L

2. Gently detach the hook, remove the recliner cover (A).

▷ : Screw locations



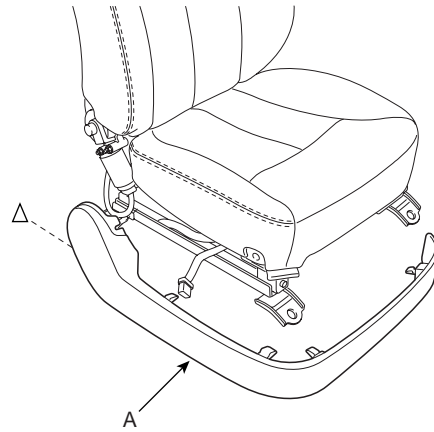
SGHBD6019L

3. Installation is the reverse of removal.

PASSENGER'S

4. After loosening the mounting screw, then remove the recliner cover (A).

▷ :

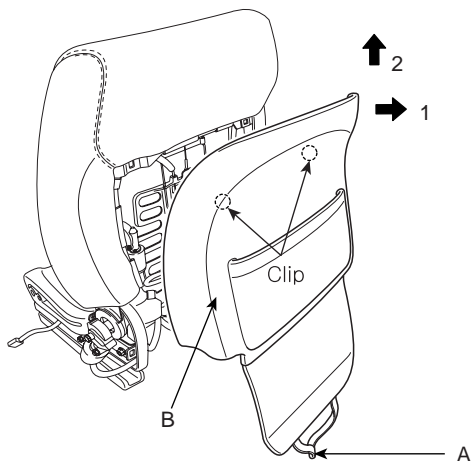


SGHBD6020D

5. Installation is the reverse of removal.

SEAT BACK COVER REPLACEMENT

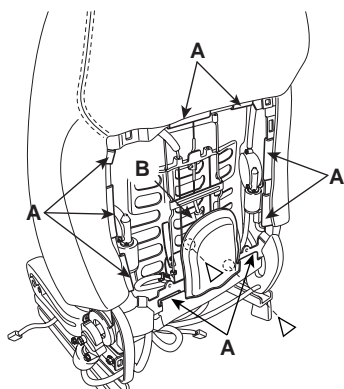
1. Remove front seat assembly (Refer to page BD-7).
2. Remove the recliner cover (Refer to page BD-8).
3. After disconnecting the scuff band (A), remove the seat back panel (B).



SGHBD6021L

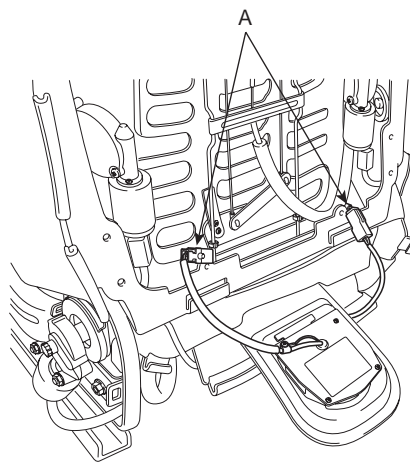
4. Disconnect the protector (A) from the back frame.
5. Loosen the blower (B) mounting screw.

▷ : Screw locations



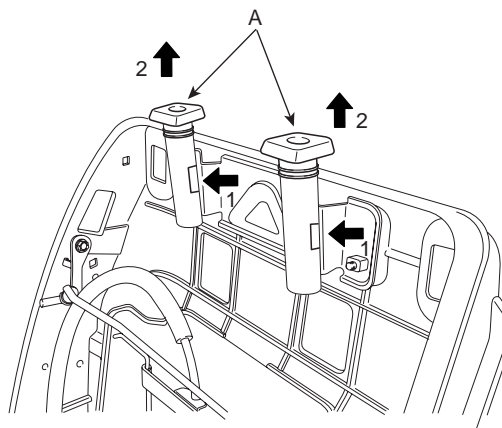
SGHBD6022L

6. Disconnect the connector (A).



SGHBD6023D

7. Pull out the headrest guides (A) while pinching the end of the guides, and remove them.

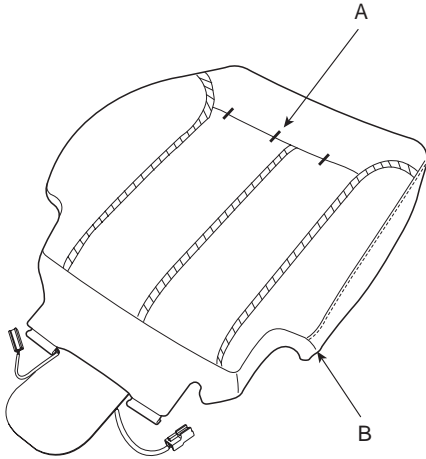


SGHBD6024D

BD -10

BODY (INTERIOR AND EXTERIOR)

8. After removing the hog-ring clip (A) on the front of seat cushion and remove the seat cushion cover (B).

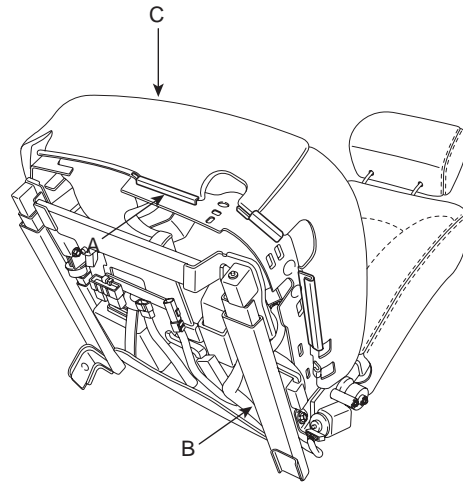


SGHBD6025D

9. Installation is the reverse of removal.

SEAT CUSHION COVER REPLACEMENT

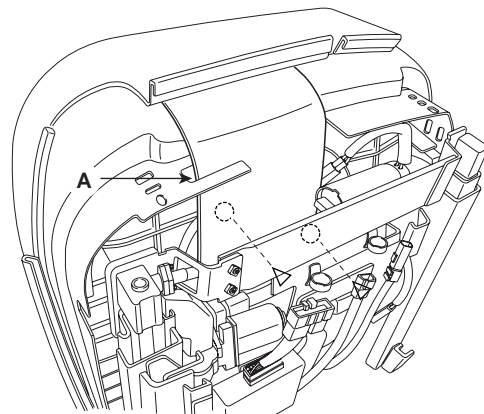
1. Remove front seat assembly (Refer to page BD -7).
2. Remove the recliner cover (Refer to page BD-8).
3. After disconnect the protector (A), then remove the seat cushion (B).



SGHBD6026D

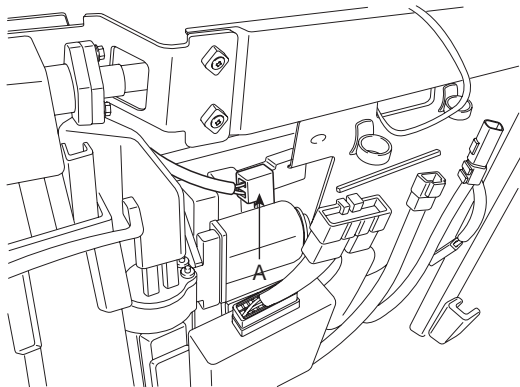
4. Loosen the blower mounting screw (B).

▷ : Screw locations



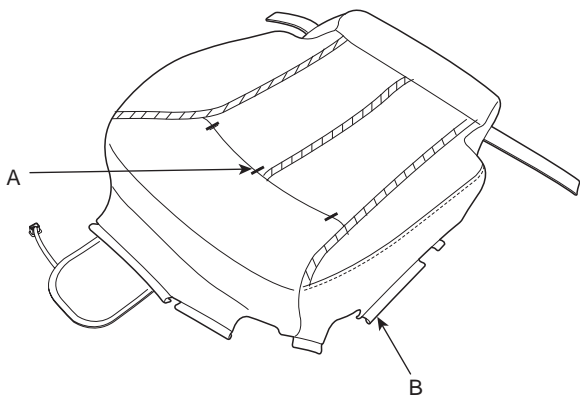
SGHBD6027L

5. Disconnect the connector (A).



SGHBD6028D

6. After removing the hog-ring clip (A) on the front of seat cushion and remove the seat cushion cover (B).



SGHBD6029D

7. Installation is the reverse of removal.

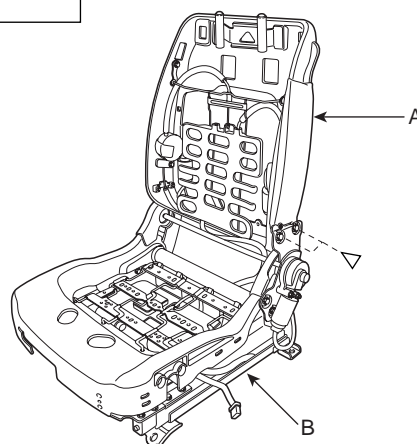
SEAT FRAME REPLACEMENT

1. Remove the following items.
 - Front seat assembly (Refer to page BD-7).
 - Recliner cover (Refer to page BD-8).
 - Seat back panel (Refer to page BD-9).
 - Headrest guide (Refer to page BD-9).
 - Seat back cover (Refer to page BD-9).
 - Seat cushion (Refer to page BD-10).
2. After loosening the mounting bolts, then disconnect the seat back frame (A) and seat cushion frame (B).

NOTE

- Remove the side air bag for replacing side air bag installation seat.
- Be fore service, be fully aware of precautions and service procedure relevant to air bag (Refer to page RT-Airbag).

▷ : Bolt Locations



SGHBD6030N

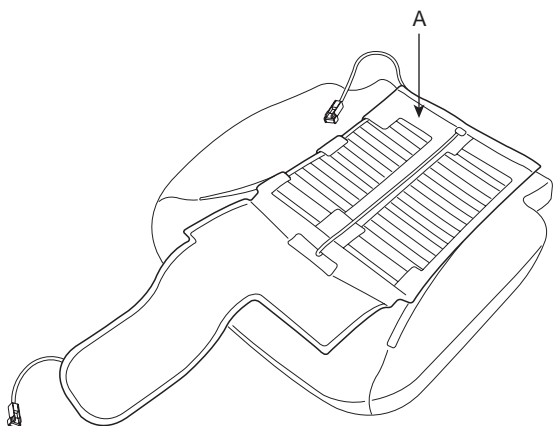
3. Installation is the reverse of removal.

NOTE

- After installing the OCS, confirm proper system operation: Turn the ignition switch ON, the SRS indicator should be turned on for about six seconds and then go off.
- Telltale lamp will turn on for 4 seconds and be turned off afterward. (Refer to RT group)

SEAT CUSHION HEATER REPLACEMENT

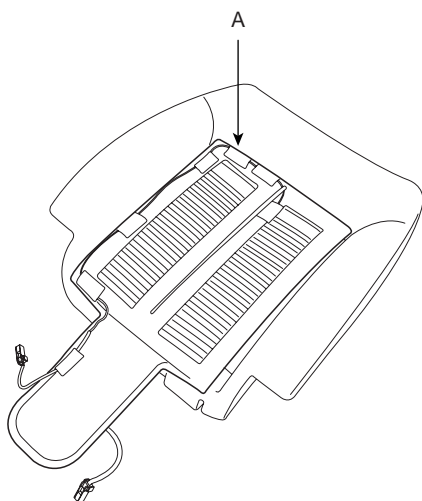
1. Remove the seat cushion cover (Refer to page BD-10).
2. Remove the seat cushion heater (A).
3. Install the seat cushion cover.



SGHBD6037D

SEAT BACK HEATER REPLACEMENT

1. Remove the seat back cover (Refer to page BD-9).
2. Remove the seat back heater (A).
3. Install the seat back cover.



SGHBD6038D