

Body (Interior & Exterior)

INTERIOR

CONSOLE
CRASH PAD

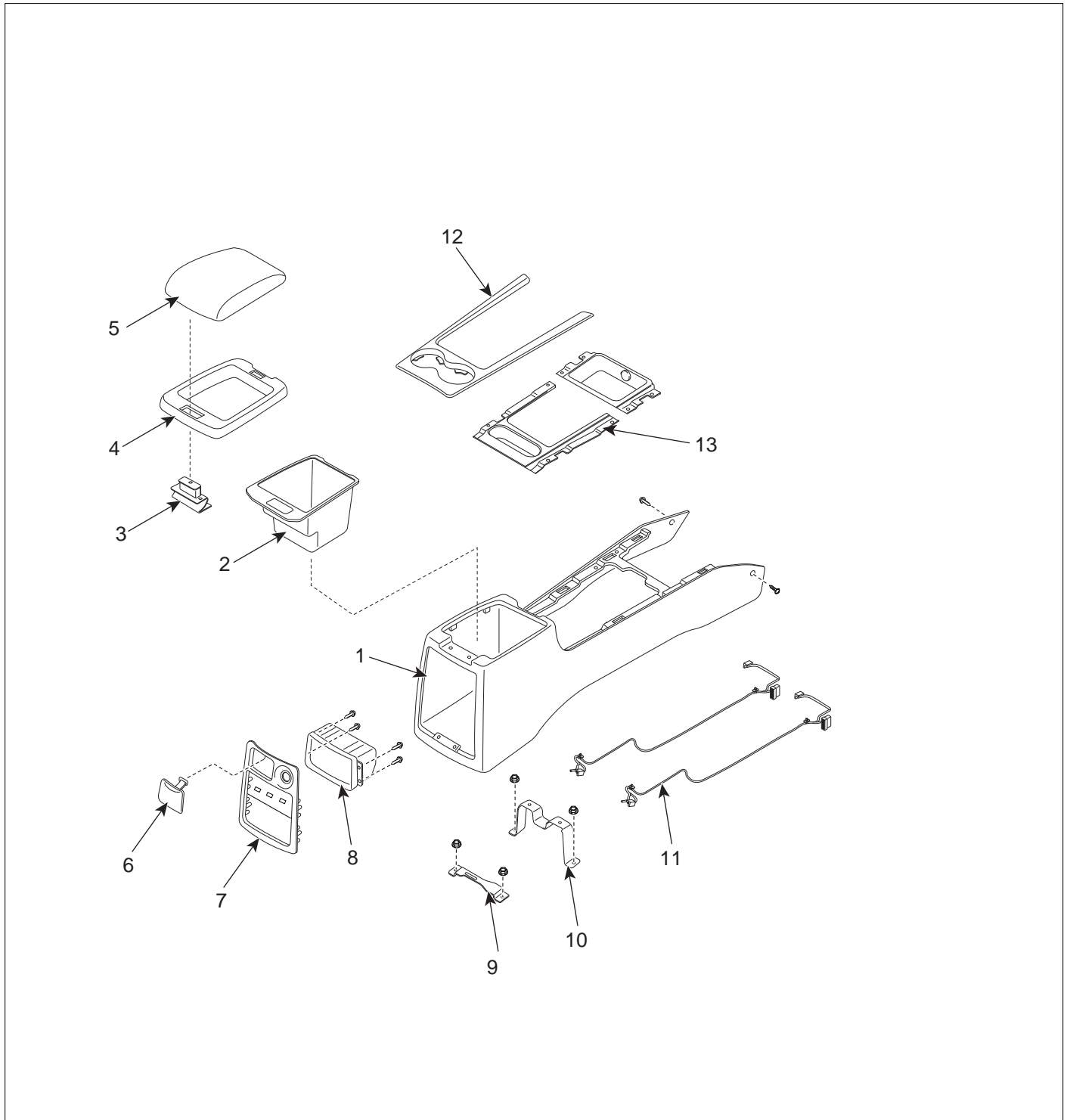
SEAT

FRONT SEAT
REAR SEAT

INTERIOR

CONSOLE

COMPONENTS EFBCC3F0



- 1. console
- 2. storage box
- 3. console armrest hinge
- 4. lower armrest

- 5. armrest
- 6. ashtray
- 7. console lid cover
- 8. console rear cup holder

- 9. console rear bracket
- 10. console center bracket
- 11. console wiring harness
- 12. deco upper panel
- 13. console upper cover

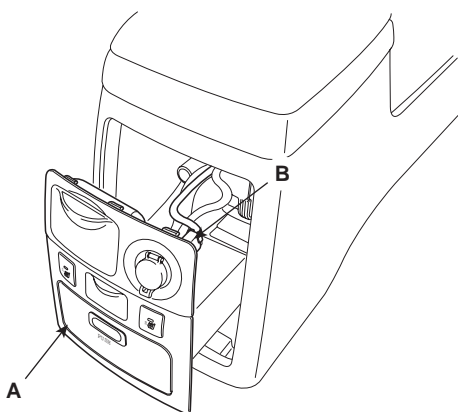
REPLACEMENT E52BE8BE

FLOOR CONSOLE REPLACEMENT

 NOTE

- When prying with a flat-tipped screwdriver, wrap it with protective tape, and apply protective tape around the related parts, to prevent damaged.
- Put on gloves to protect your hands.

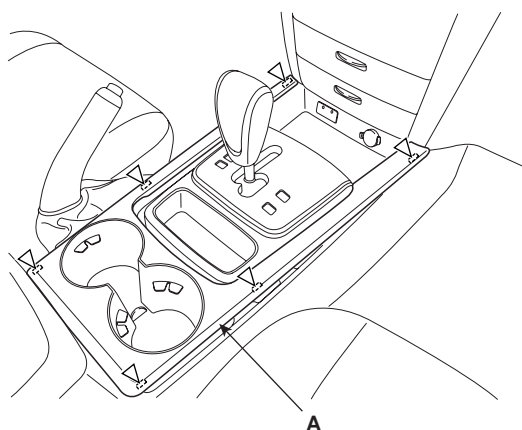
1. Remove the console lid cover (A).
2. Disconnect the connector (B).



SBLBD6001D

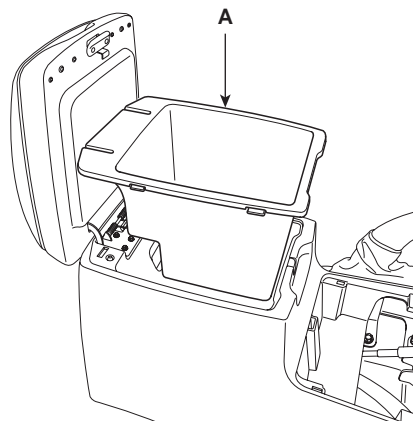
3. Remove the deco upper panel (A).

▷ : Clip Locations, 6



SBLBD6002L

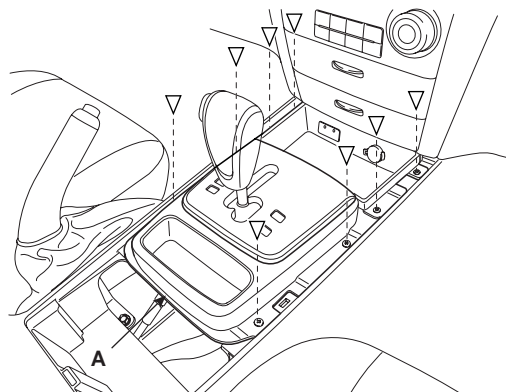
4. Remove the console storage box (A).



SBLBD6003D

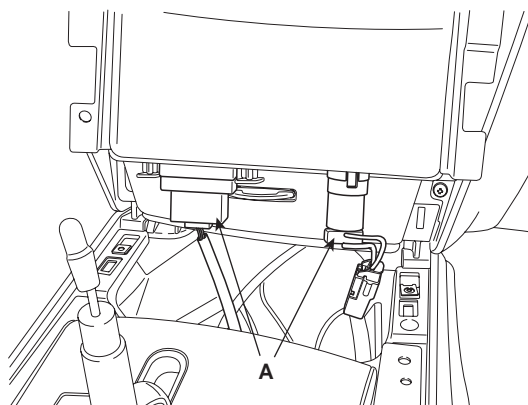
5. Remove the console upper cover (A).

▷ : Screw Locations, 8



SBLBD6004L

6. Disconnect the connector (A).



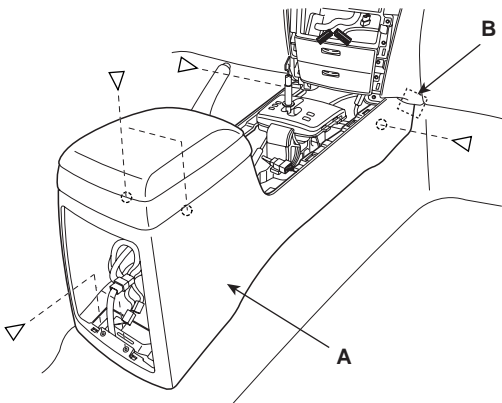
SBLBD6005D

BD -4

BODY (INTERIOR & EXTERIOR)

7. After loosening the console mounting screw, remove the floor console side cover (A).
8. Disconnect the connector (B).

▷ : Screw Locations, 6

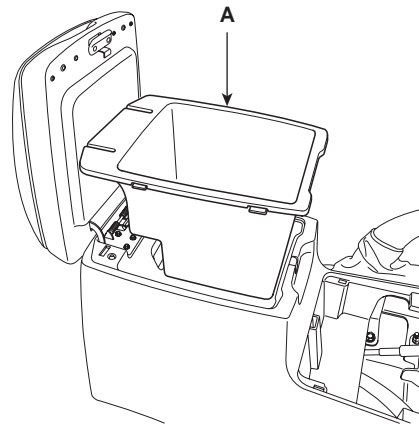


SBLBD6006L

9. Installation is the reverse of removal.

ARMREST REPLACEMENT

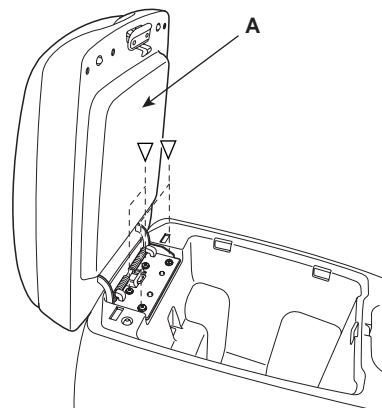
1. Remove the console storage box (A).



SBLBD6003D

2. After loosening the armrest mounting nuts, remove the armrest (A).

▷ : Screw Locations, 4

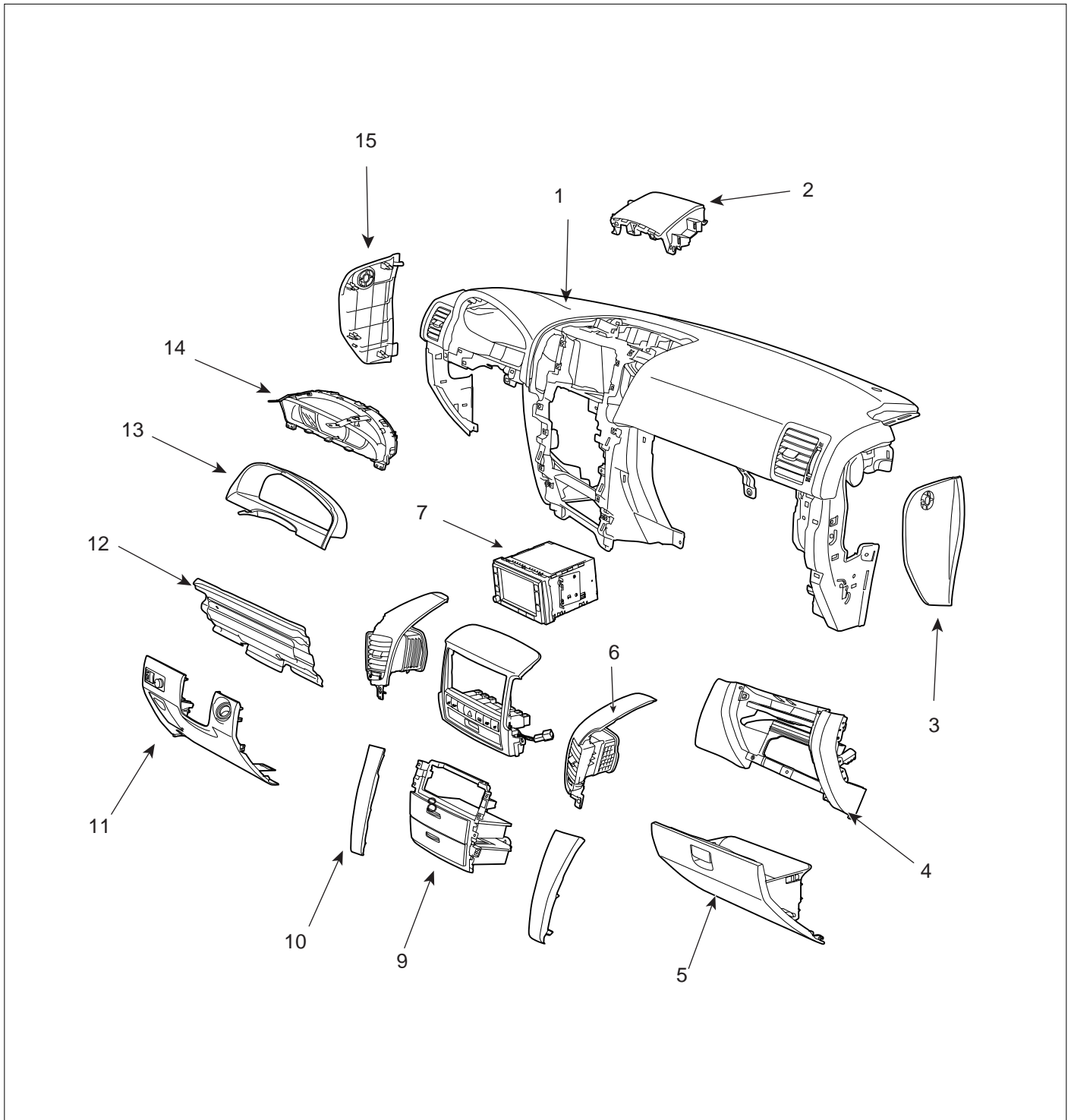


SBLBD6007L

3. Installation is the reverse of removal.

CRASH PAD

COMPONENTS E897CEBC



- | | | |
|------------------------------|------------------------------|---------------------------|
| 1. Crash pad | 6. Air vent | 11. Crash pad lower panel |
| 2. Center fascia upper panel | 7. Audio | 12. Reinforcing panel |
| 3. Crash pad side cover | 8. Center fascia panel | 13. Cluster fascia panel |
| 4. Glove box housing | 9. Center fascia lower panel | 14. Cluster |
| 5. Groove box | 10. Side panel | 15. Crash pad side cover |

REPLACEMENT E5FFE3E3

CLUSTER REPLACEMENT

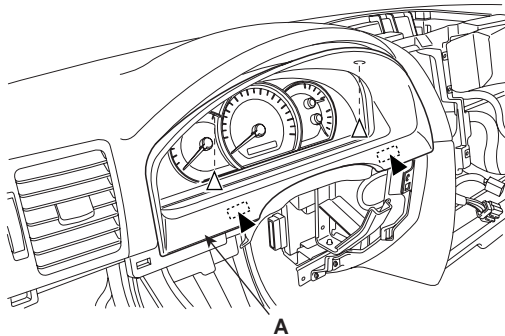
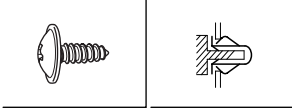
 **NOTE**

- When prying with a flat-tipped screwdriver, wrap it with protective tape, and apply protective tape around the related parts, to prevent damaged.
- Put on gloves to protect your hands.

1. Tilt the steering column down.
2. Remove the cluster fascia panel (A).

Fastener Locations

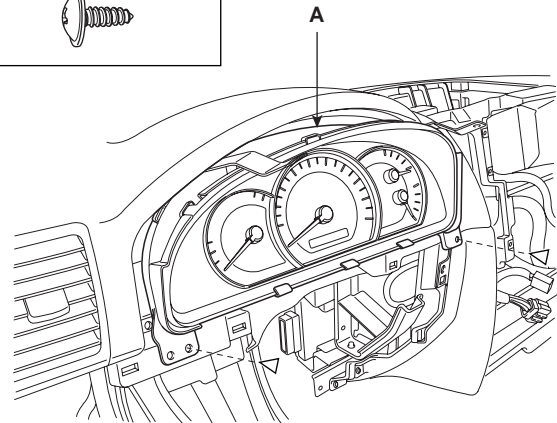
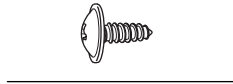
▷ : Screw, 2 ▶ : Clip, 2



SBLBD6008L

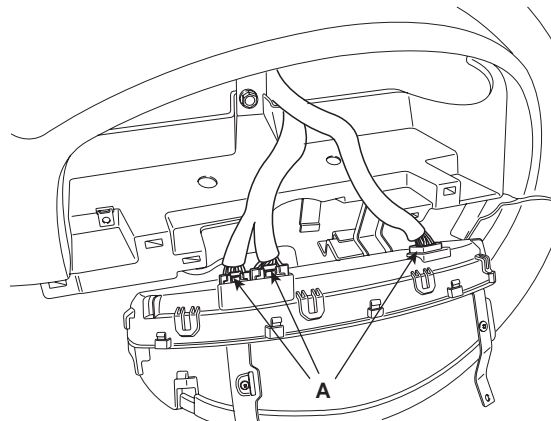
3. Loosen the screws.
4. Remove the cluster (A).

▷ : Screw Locations, 2



SBLBD6009L

5. Disconnect the cluster connector (A), then remove the cluster (B).



SBLBD6010D

6. Installation is the reverse of removal.

 **NOTE**

- Make sure the connector are plugged in properly.

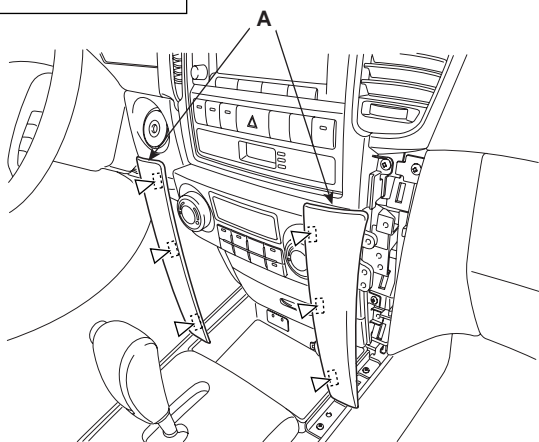
CENTER FASCIA PANEL REPLACEMENT

NOTE

- When prying with a flat-tipped screwdriver, wrap it with protective tape, and apply protective tape around the related parts, to prevent damaged.
- Put on gloves to protect your hands.

1. Remove the side garnish (A).

▷ : Clip Locations, 6



SBLBD6011L

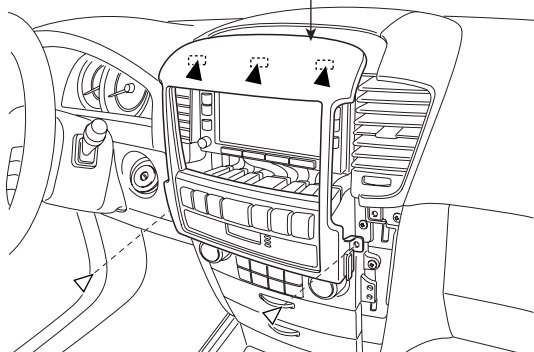
2. After loosening the mounting screw, remove the center fascia panel (A).

Fastener Locations

▷ : Screw, 2 ▶ : Clip, 3



A



SBLBD6012L

3. Installation is the reverse of removal.

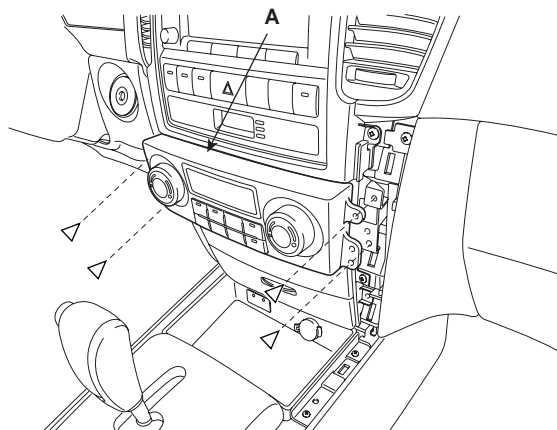
NOTE

- Make sure the connector are plugged in properly.

HEATER CONTROL UNIT REPLACEMENT

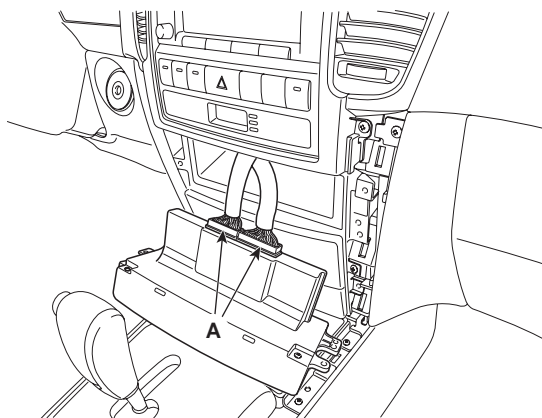
1. Remove the side garnish.(Refer to page BD-7)
2. After loosening the heater control mounting screw, remove the heater control unit (A).

▷ : Screw Locations, 4



SBLBD6016L

3. Disconnect the connector (A).



SBLBD6017D

4. Installation is the reverse of removal.

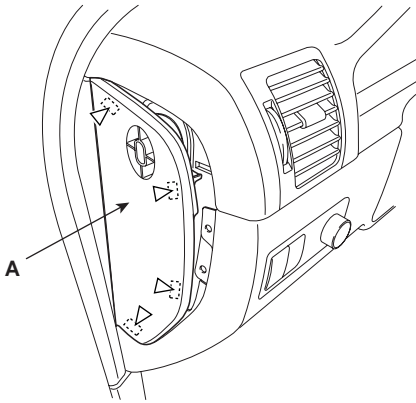
NOTE

- Make sure the connector is plugged in properly.

LOWER PANEL REPLACEMENT

1. Remove the crash pad side cover (A).

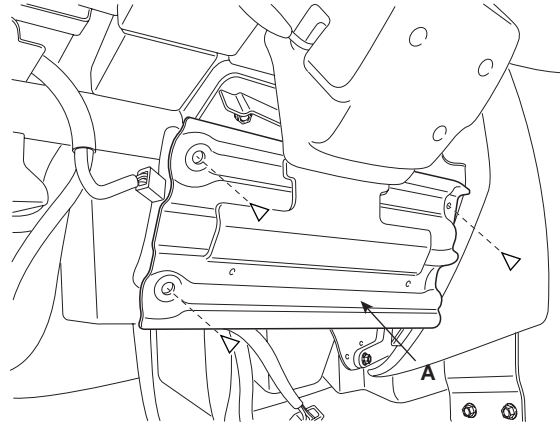
▷ : Clip Locations, 4



SBLBD6013L

4. Remove the reinforcing panel (A).

▷ : Bolt Locations, 3



SBLBD6015L

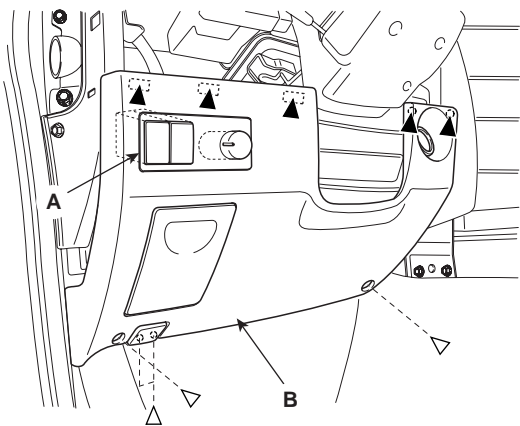
2. Loosen the mounting screw, remove the lower panel (B).

3. Disconnect the connector (A).

Fastener Locations

▶ : Clip, 5

▷ : Screw, 4



SBLBD6014L

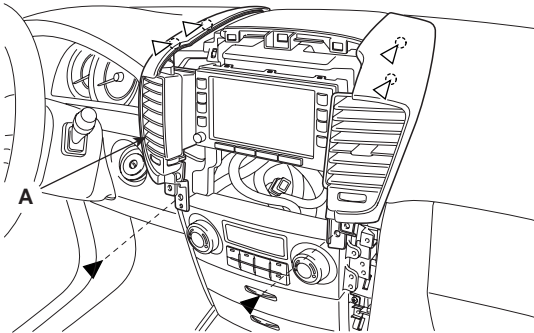
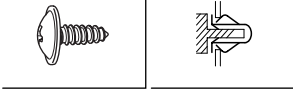
5. Installation is the reverse of removal.

AUDIO ASSEMBLY REPLACEMENT

1. Remove the center fascia panel.(Refer to page BD-7)
2. Remove the center air vent(A).

Fastener Locations

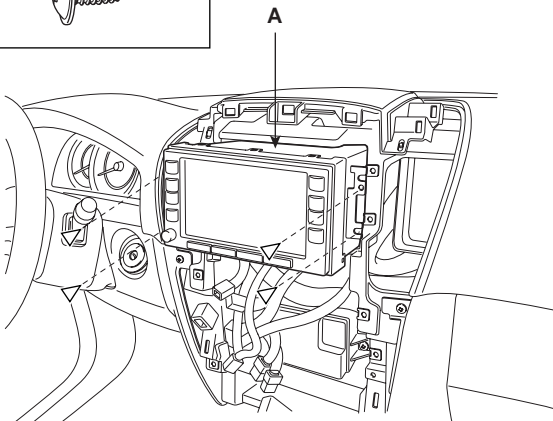
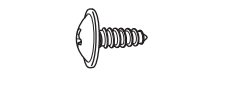
▶ : Screw, 2 ▷ : Clip, 4



SBLBD6018L

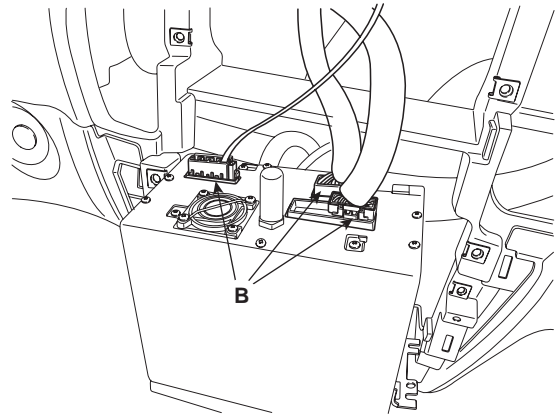
3. Loosen the screws.
4. Remove the audio assembly (A).

▷ : Screw Locations, 4



SBLBD6019L

5. Disconnect the connector (B).



SBLBD6020D

6. Installation is the reverse of removal.

NOTE

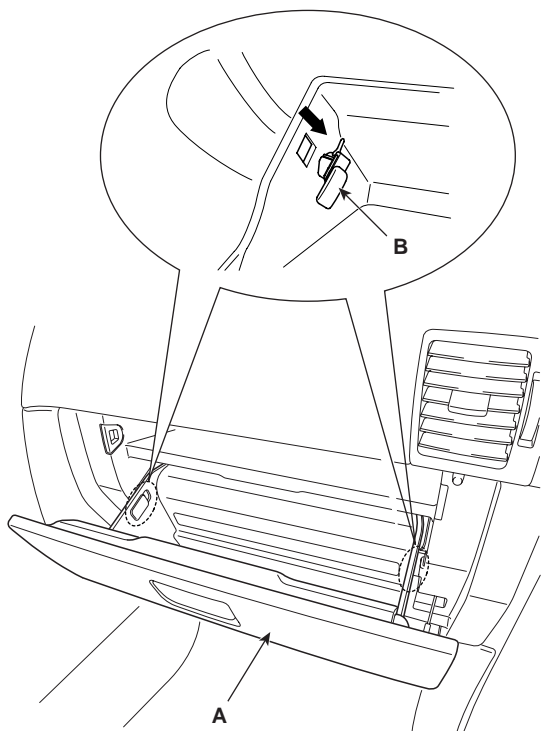
- Make sure the connector are plugged in properly.

BD -10

BODY (INTERIOR & EXTERIOR)

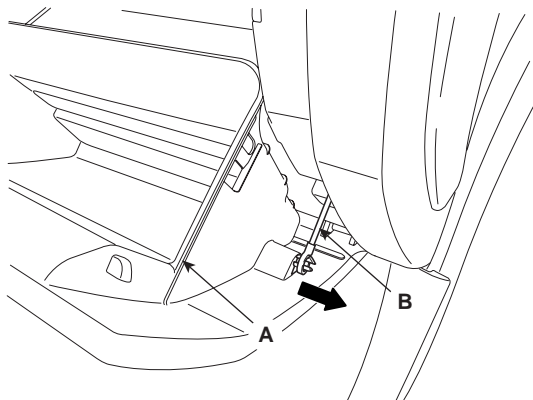
GLOVE BOX REPLACEMENT

1. Disconnect the damper (B) from the glove box (A).



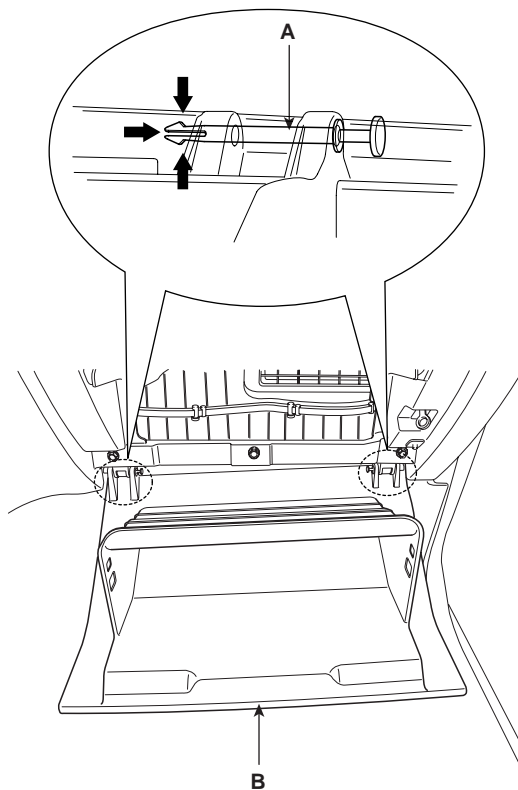
SBLBD6021D

2. Remove the glove box (A) from the lift (B).



SBLBD6022D

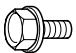


3. Disconnect the pine (A), then remove the glove box (C).

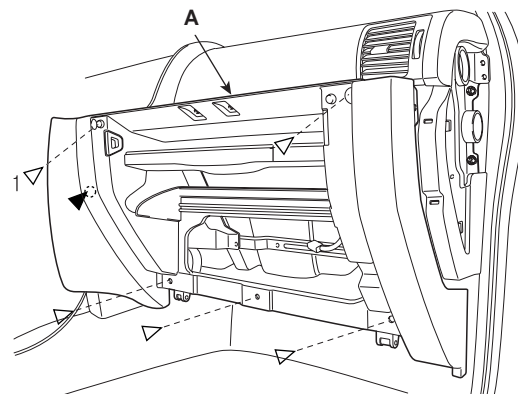


SBLBD6023D

4. Remove the glove box housing (A).

Fastener Locations

▷ : Bolt, 3	▷ : Clip, 1	▷ : Screw, 2
		

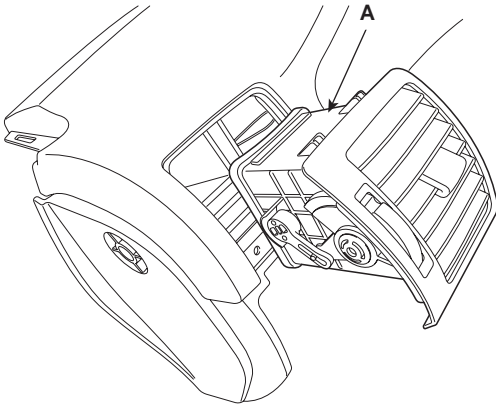


SBLBD6024L

5. Installation is the reverse of removal.

AIR VENT REPLACEMENT

1. After loosening the mounting screw, then remove the air vent (A).



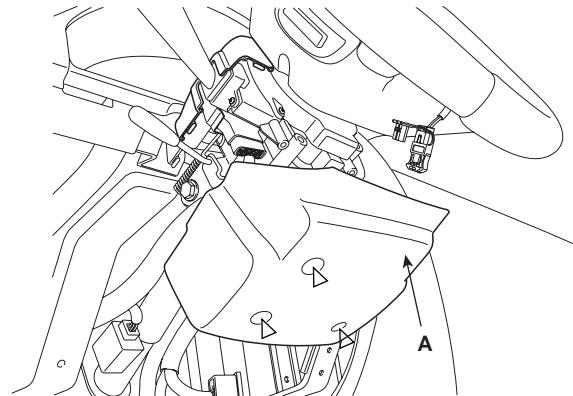
SBLBD6025D

2. Installation is the reverse of removal.

SHROUD REPLACEMENT

1. Loosen the screws, then remove the shroud assembly (A).

▷ : Screw Locations, 3



SBLBD6026L

2. Installation is the reverse of removal.

CRASH PAD REPLACEMENT

NOTE

- When prying with a flat-tipped screwdriver, wrap it with protective tape, and apply protective tape around the related parts, to prevent damaged.
- Put on gloves to protect your hands.

1. Remove the following items.
 - Front seat.(Refer to page BD-14)
 - Cluster facia panel and cluster.(Refer to page BD-6)
 - Audio assembly.(Refer to page BD-9)
 - Glove box.(Refer to page BD-10)
 - Lower panel.(Refer to page BD-8)
 - Front pillar trim.

2. Remove the photo sensor.

3. Disconnect the passenger's air bag connector (A). Loosen the bolt and nut, then remove the crash pad (B).

4. Installation is the reverse of removal.

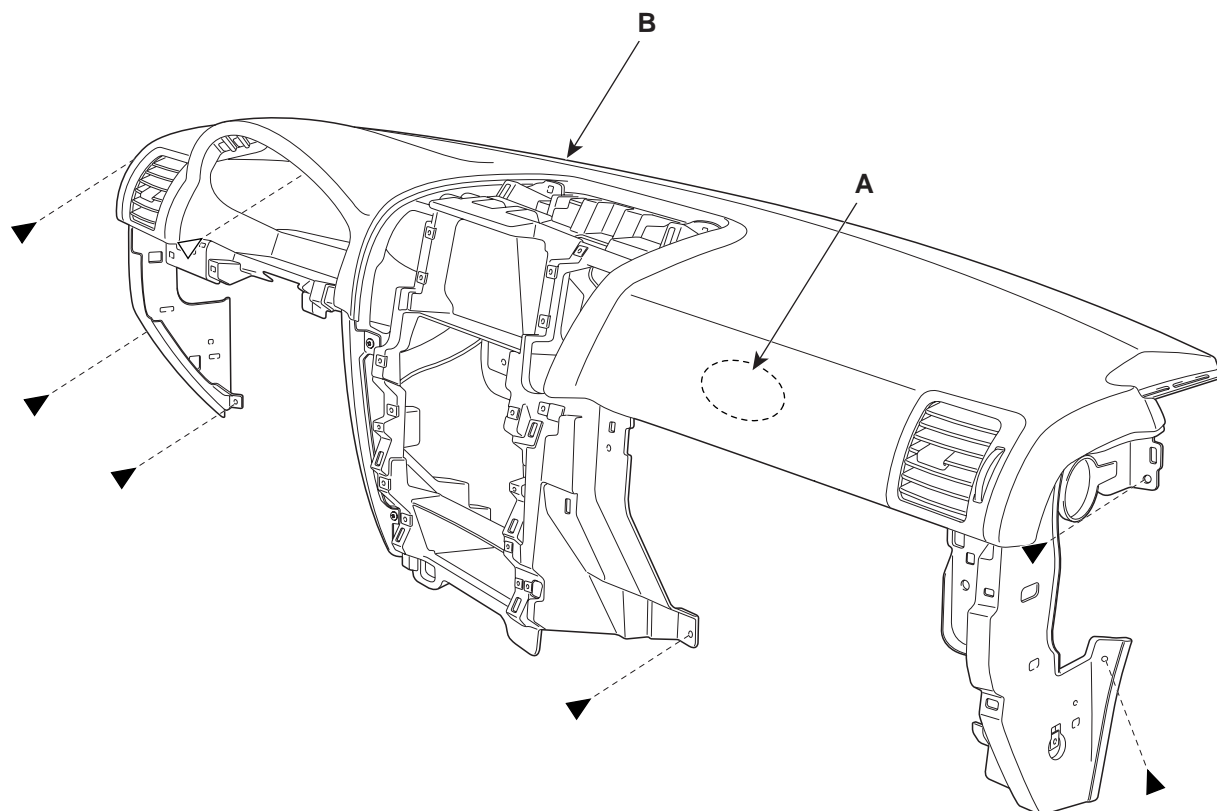
NOTE

- Make sure the crash pad fits onto the guide pins correctly.
- Before tightening the bolts, make sure the crash pad wire harnesses are not pinched.
- Make sure the connectors are plugged in properly, and the antenna lead is connected properly.
- Enter the anti- theft code for the radio, then enter the customer's radio station presets.

Fastener Locations

▶ : Bolt

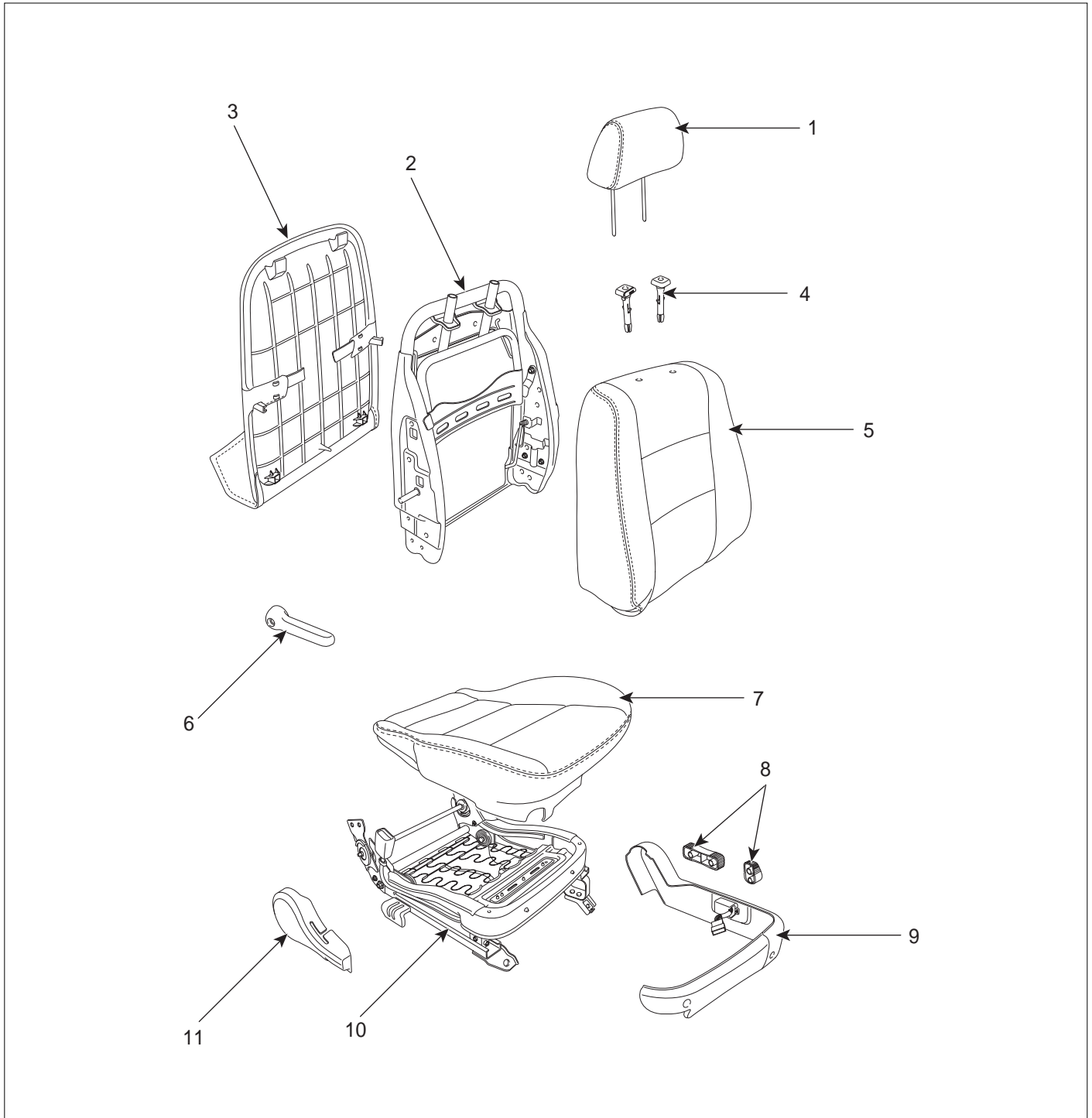
▷ : Nut



SEAT

FRONT SEAT

COMPONENTS E242FCAE



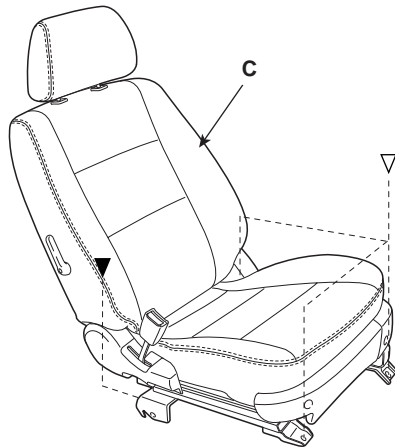
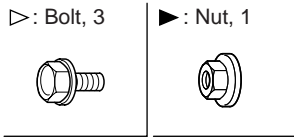
- 1. Seat back cushion
- 2. Seat back frame
- 3. Seat back panel
- 4. Seat cushion
- 5. Seat cushion frame
- 6. Lumber sport lever
- 7. Recliner lever
- 8. Schild cover
- 9. Recliner cover
- 10. Headrest guide
- 11. Headrest

REPLACEMENT E512CD5F

SEAT ASSEMBLY REPLACEMENT

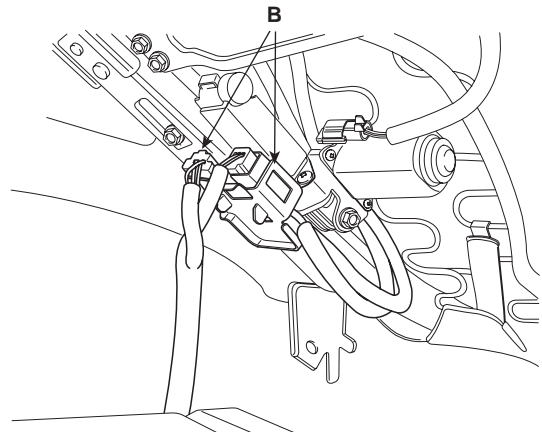
1. Remove the seat assembly mounting cover.
2. After loosening the seat assembly mounting bolts and nuts, remove the seat assembly (C).

Fastener Locations



SBLBD6028L

3. Disconnect the connector (B).



SBLBD6500D

4. Installation is the reverse of removal.

⚠ CAUTION

SEAT MOUNTING BOLT INSTALLATION PROCEDURE

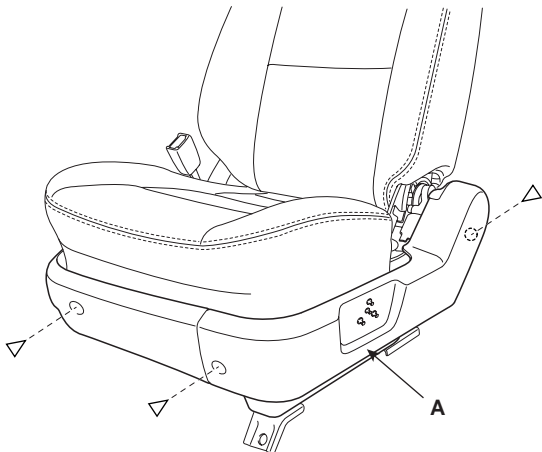
- Set the into the most rearward position. Check then each slide is locked, and then tighten the front mounting bolt temporarily.
- Set the seat into most forward position. Check that each slide is locked, and then tighten the rear mounting bolt completely.
- Set the seat into the most rearward position. Check the front mounting bolt completely.
- Check that the seat operates to and fro smoothly and the locking portion locks properly.

SEAT BACK COVER REPLACEMENT

1. Remove front seat assembly.(Refer to page BD-14)

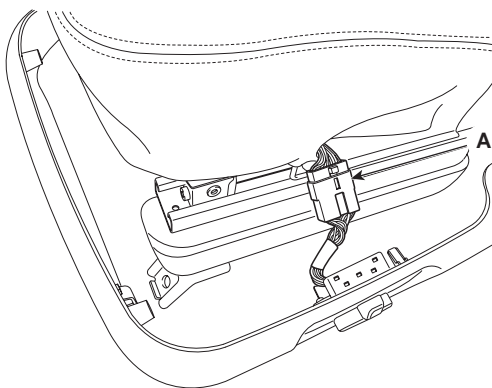
2. Remove the cover (A).

▷ : Screw Locations, 3



SBLBD6030L

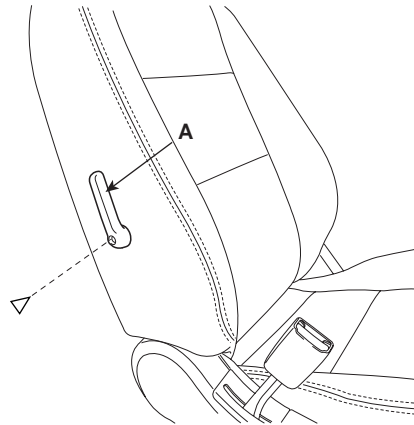
3. Disconnect the protector (A).



SBLBD6087D

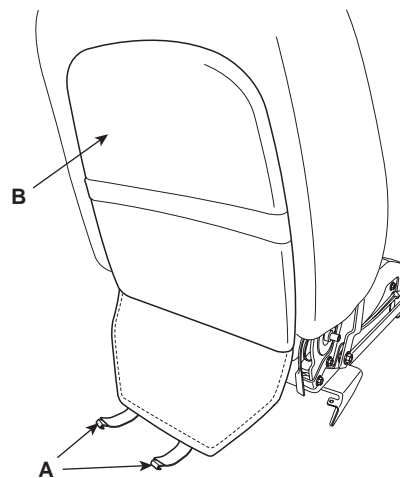
4. Remove the lumbar support lever (A).

▷ : Screw Locations, 1



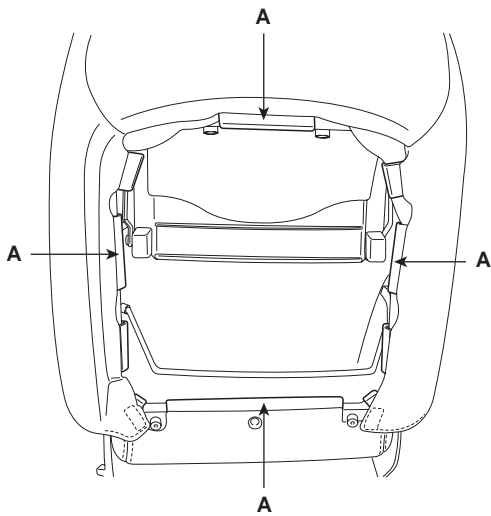
SBLBD6031L

5. After disconnecting the scuff band (A), remove the seat back panel (B).



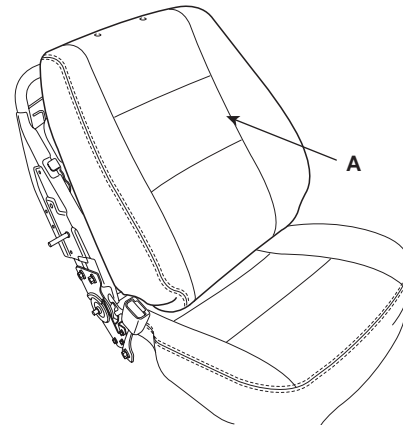
SBLBD6032D

6. Disconnect the protector (A) from the back frame.



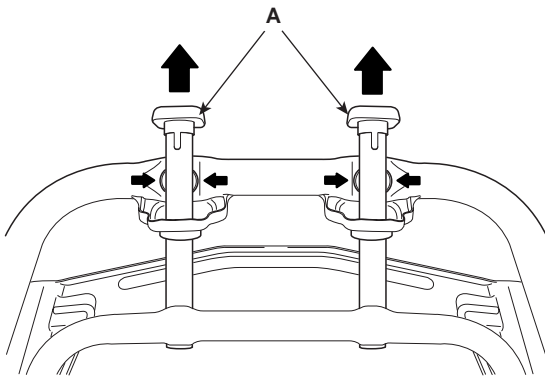
SBLBD6033D

9. Remove the seat back cushion (A).



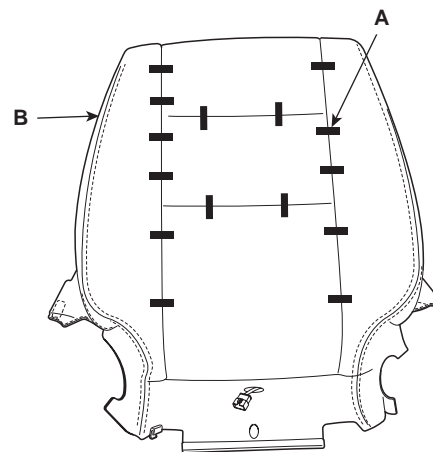
SBLBD6036D

7. Remove the headrest and headrest guide (A).



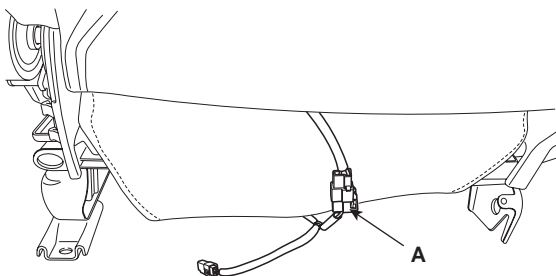
SBLBD6034D

10. After removing the hog-ring clip (A) on the front of seat cushion and remove the seat cushion cover (B).



SBLBD6037D

8. Disconnect the connector (A).



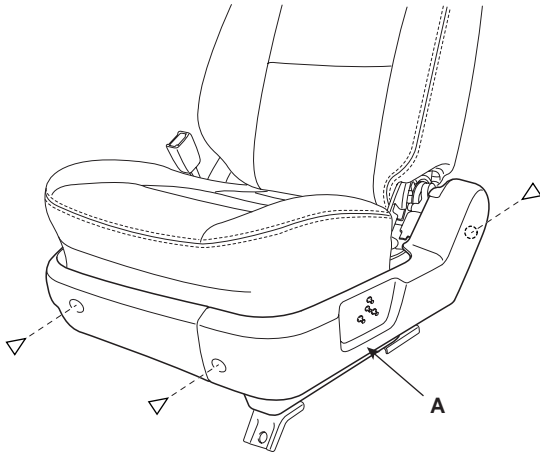
SBLBD6035D

11. Installation is the reverse of removal.

SEAT CUSHION COVER REPLACEMENT

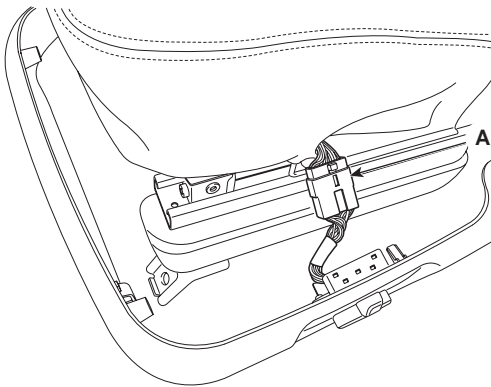
1. Remove front seat assembly.(Refer to page BD-14)
2. Remove the recliner cover (A).

▷ : Screw Locations, 3



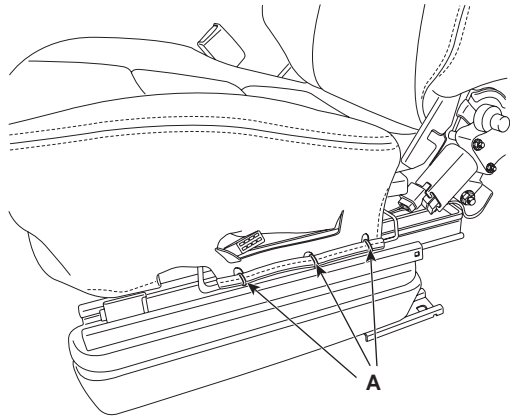
SBLBD6030L

3. Disconnect the protector (A).



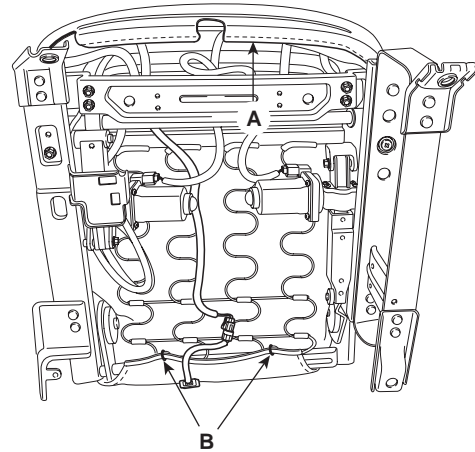
SBLBD6087D

4. Removing the hog-ring clip (A).



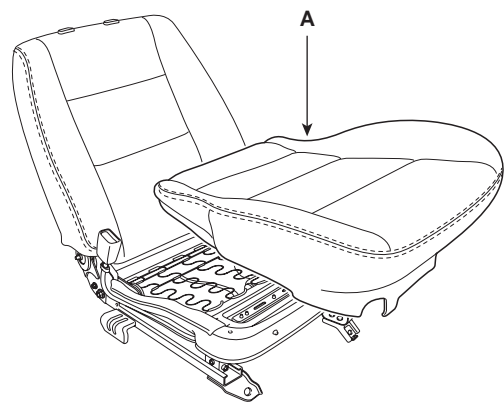
SBLBD6038D

5. Remove the hog-ring clip (B) and bend (A).



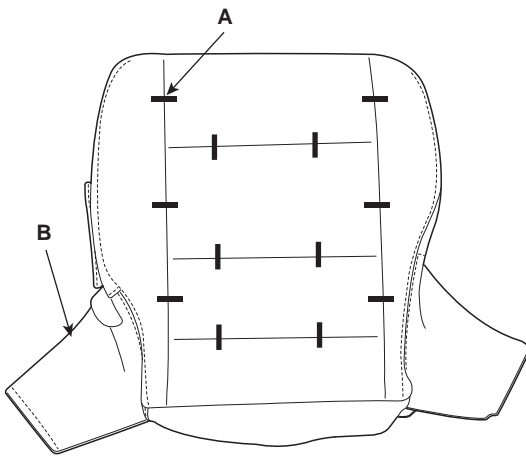
SBLBD6039D

6. Remove the seat cushion (A).



SBLBD6040D

7. After removing the hog-ring clip (A) on the front of seat cushion and remove the seat cushion cover (B).



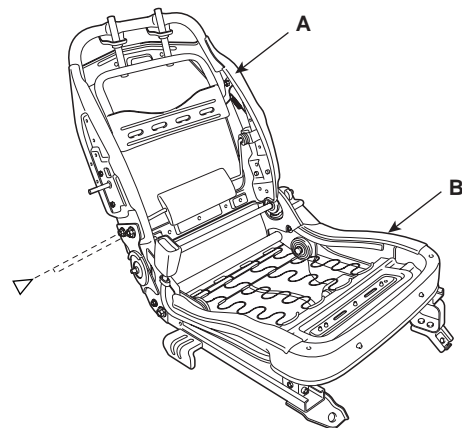
SBLBD6041D

8. Installation is the reverse of removal.

SEAT FRAME REPLACEMENT

1. Remove the following items.
 - Seat back cushion.(Refer to page BD-15)
 - Seat cushion.(Refer to page BD-17)
2. After loosening the mounting bolts, then disconnect the seat back frame (A) and seat cushion frame (B).

▷ : Bolt Locations, 4

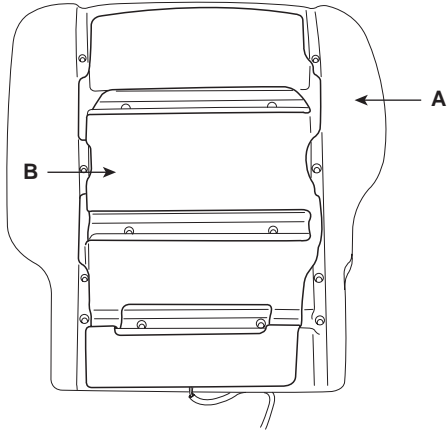


SBLBD6042L

3. Installation is the reverse of removal.

SEAT BACK HEATER REPLACEMENT

1. Remove the seat back cover.(Refer to page BD-15)
2. Seat back pad replacement (A).

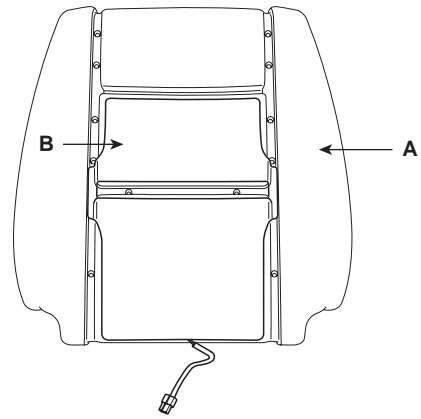


SBLBD6043D

3. Installation is the reverse of removal.

SEAT CUSHION HEATER REPLACEMENT

1. Remove the seat back cover.(Refer to page BD-17)
2. Seat cushion pad replacement (A).



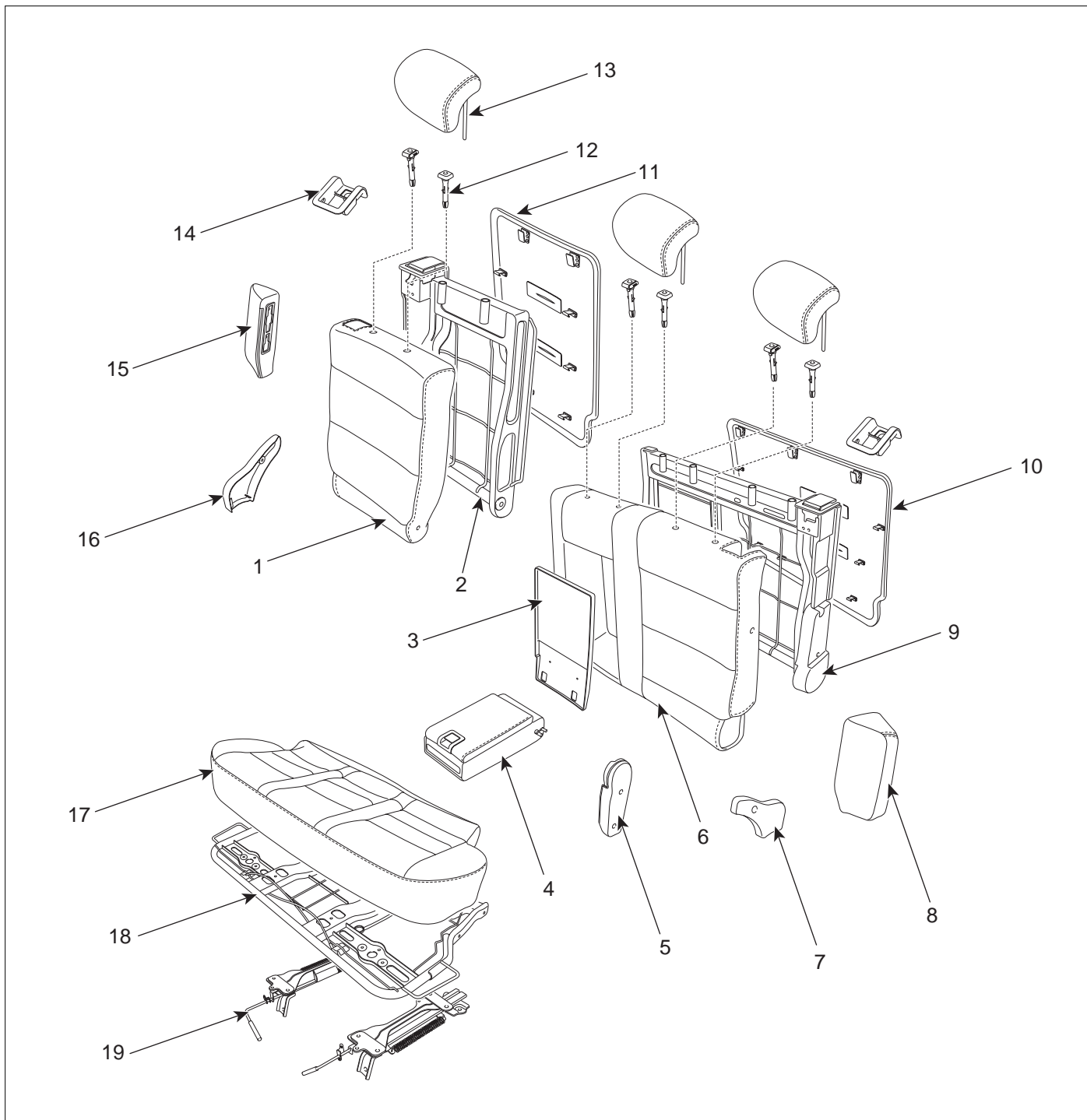
SBLBD6044D

3. Installation is the reverse of removal.

REAR SEAT

COMPONENTS EBAF8F93

SECONDARY SEAT

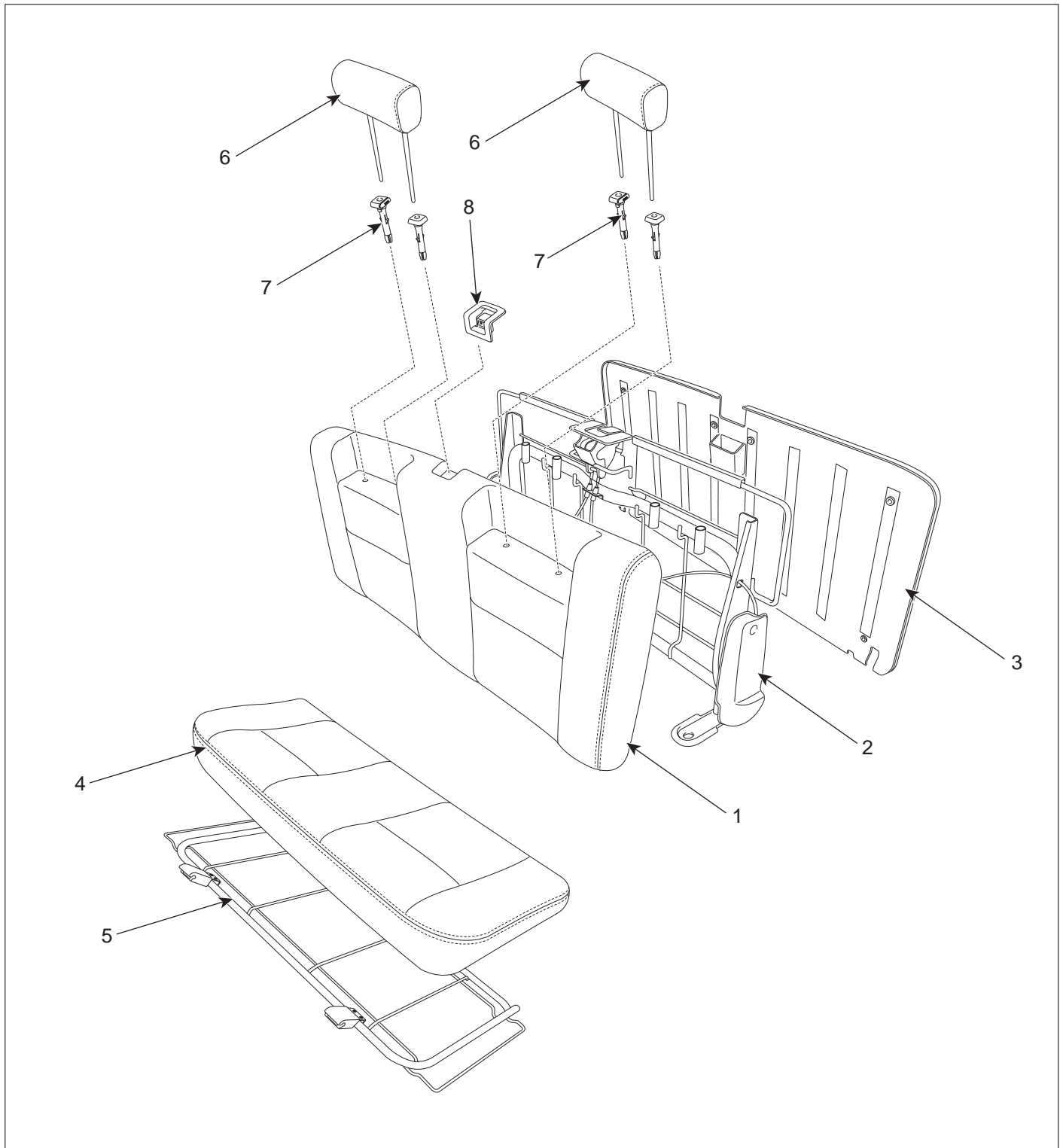


- 1. Seat back cushion
- 2. Seat back frame
- 3. Seat back panel
- 4. Seat back cushion
- 5. Seat back frame
- 6. Seat back frame
- 7. Seat cushion

- 8. Seat cushion frame
- 9. Seat slide rail
- 10. Armrest
- 11. Recliner cover
- 12. Side cover back
- 13. Seat side back

- 14. Side cover
- 15. Seat side back
- 16. Recliner lever cover
- 17. Headrest
- 18. Headrest guide
- 19. Inner back cover

THIRD SEAT



- 1. Seat back cushion
- 2. Seat back frame
- 3. Seat back panel
- 4. Seat cushion

- 5. Seat cushion frame
- 6. Headrest
- 7. Headrest guide
- 8. Recliner lever cover

REPLACEMENT EEEEF265

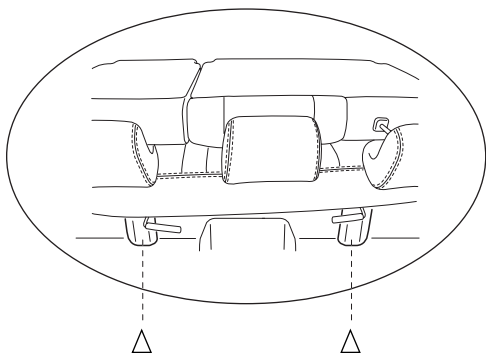
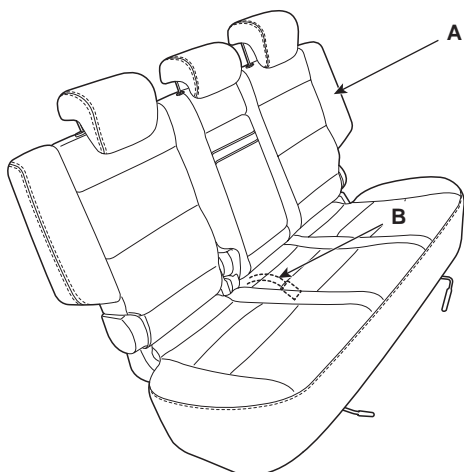
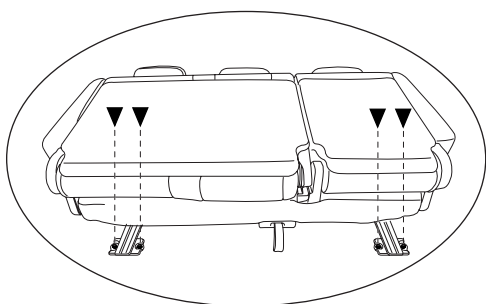
SECONDARY SEAT

SEAT ASSEMBLY REPLACEMENT

1. Loosen the mounting bolt, then remove the seat assembly (A).

Fastener Locations

▷ : Bolt ▶ : Nut, 4

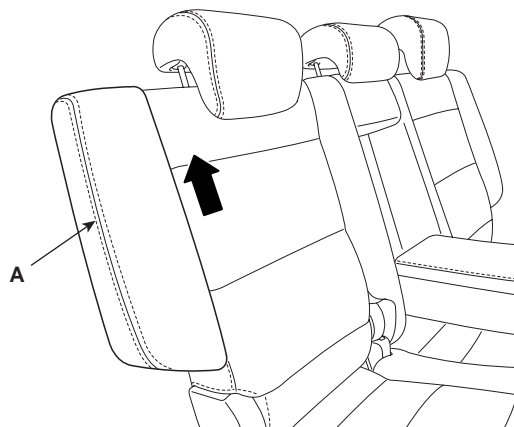


SBLBD6501L

2. Installation is the reverse of removal.

SEAT BACK COVER REPLACEMENT

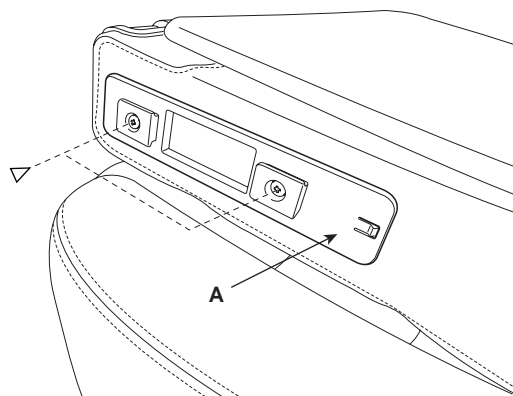
1. Remove the side seat back (A).



SBLBD6046D

2. Remove the side seat back guide (A).

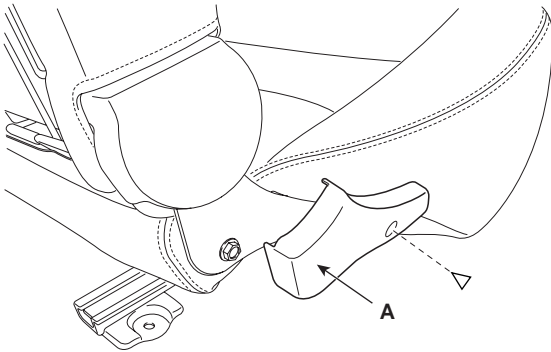
▷ : Screw Locations



SBLBD6047L

3. Remove the recliner cover (A).

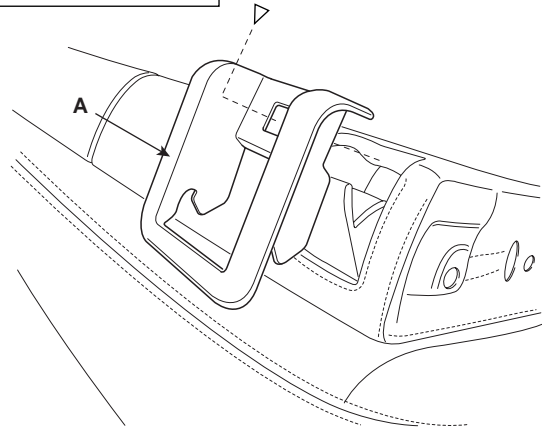
▷ : Screw Locations, 1



SBLBD6048L

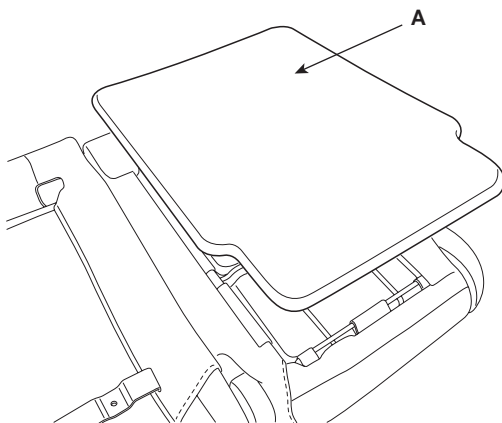
5. Remove the recliner lever cover (A).

▷ : Screw Locations, 1



SBLBD6050L

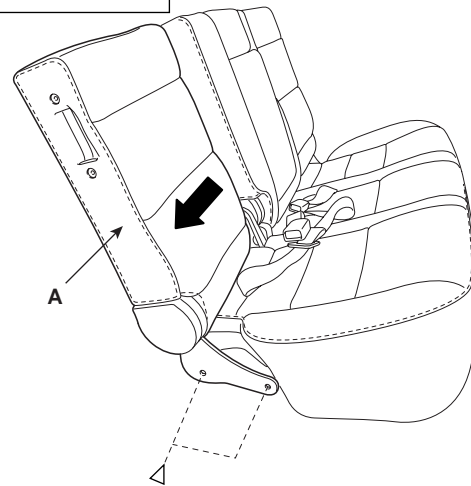
4. Remove the seat back panel (A).



SBLBD6049D

6. Remove the seat back (A).

▷ : Bolt Locations, 2

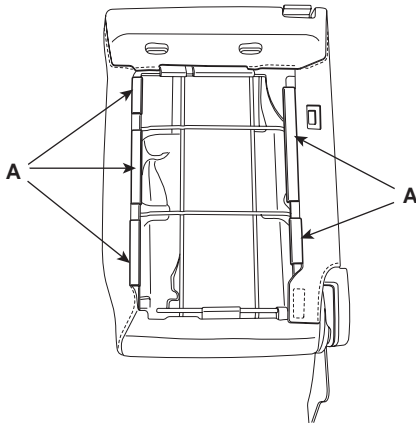


SBLBD6051L

BD -24

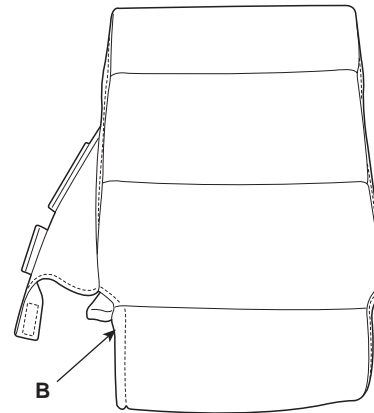
BODY (INTERIOR & EXTERIOR)

7. Disconnect the protector (A).



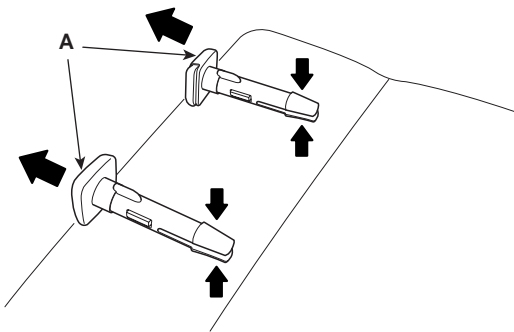
SBLBD6052D

10. After removing the hog-ring clip (A) on the front of seat cushion and remove the seat cushion cover (B).



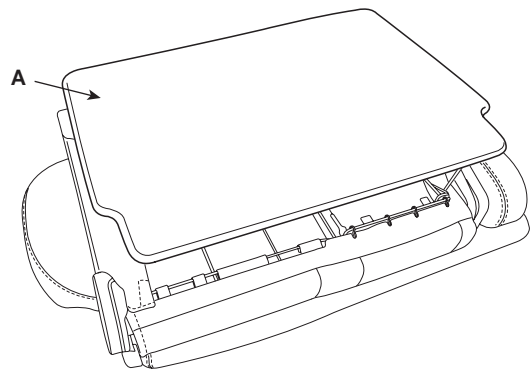
SBLBD6055D

8. Remove the headrest and headrest guide (A).



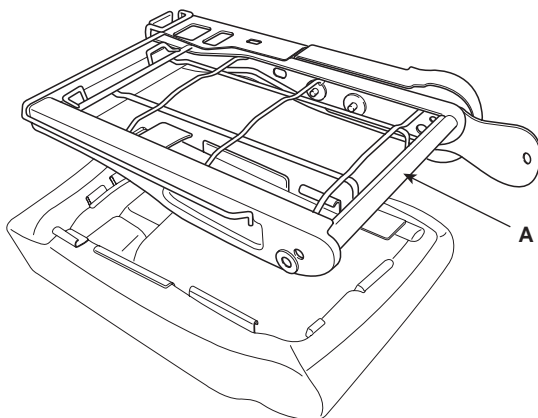
SBLBD6053D

11. Remove the seat back panel (A).



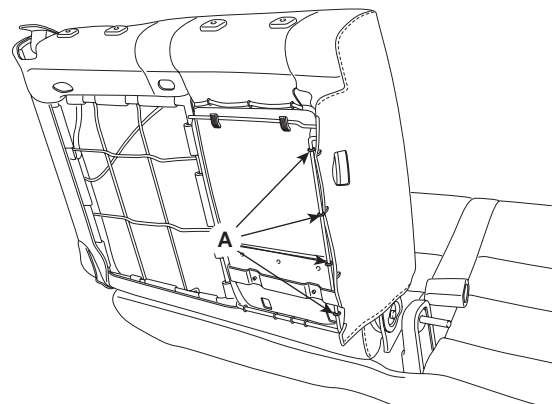
SBLBD6056D

9. Remove the seat frame (A).



SBLBD6054D

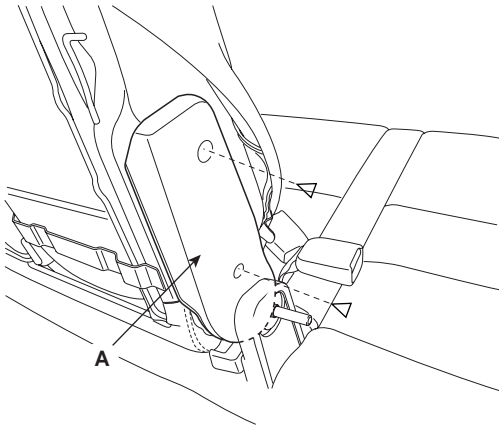
12. Remove the hog-ring clips (A).



SBLBD6057D

13. Remove the recliner cover (A).

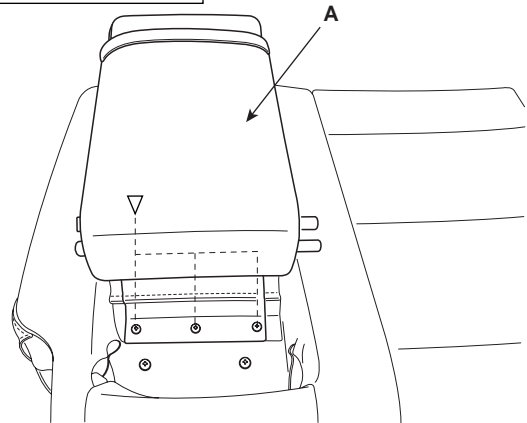
▷ : Screw Locations, 2



SBLBD6058L

15. Remove the armrest (A).

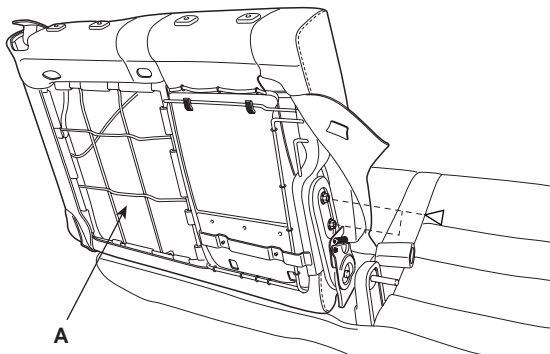
▷ : Screw Locations, 3



SBLBD6060L

14. Remove the seat back assembly (A).

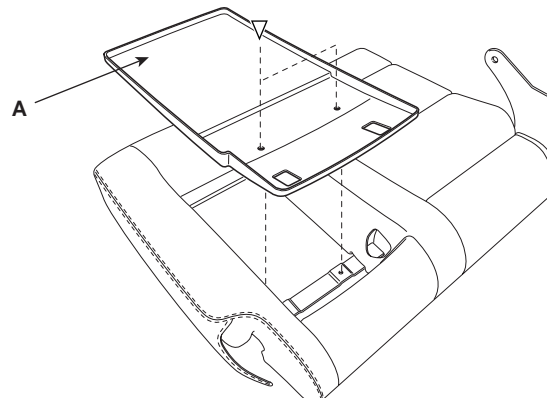
▷ : Bolt Locations, 4



SBLBD6059L

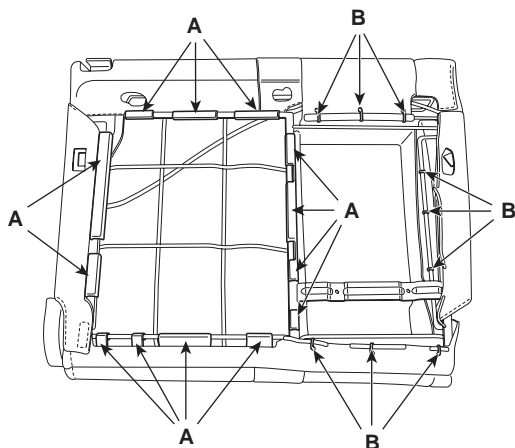
16. Remove the armrest rear panel (A).

▷ : Screw Locations, 2



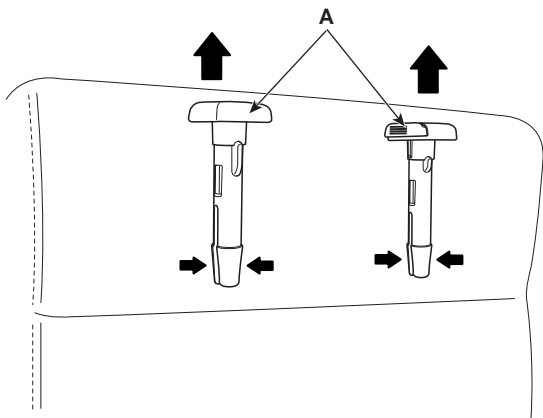
SBLBD6061L

17. Remove the protector (B) and hog-ring clips (A).



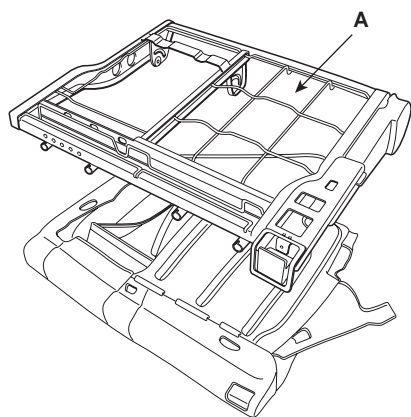
SBLBD6062D

18. Remove the headrest and headrest guide (A).



SBLBD6063D

19. Remove the seat back frame (A).



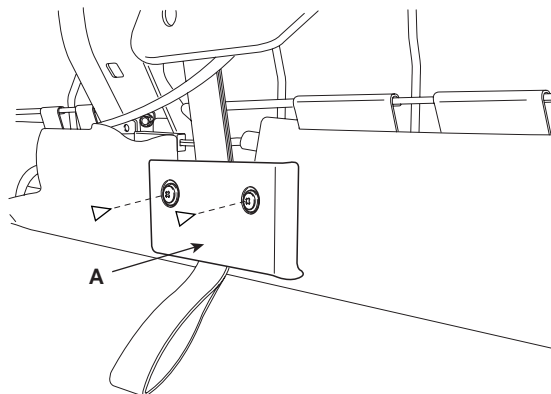
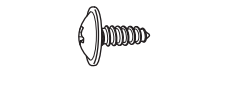
SBLBD6064D

20. Installation is the reverse of removal.

SEAT CUSHION COVER REPLACEMENT

1. Remove the cover (A).

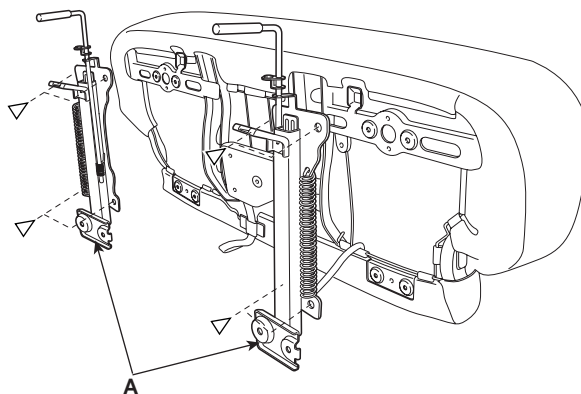
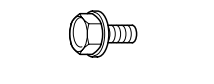
▷ : Screw Locations, 2



SBLBD6065L

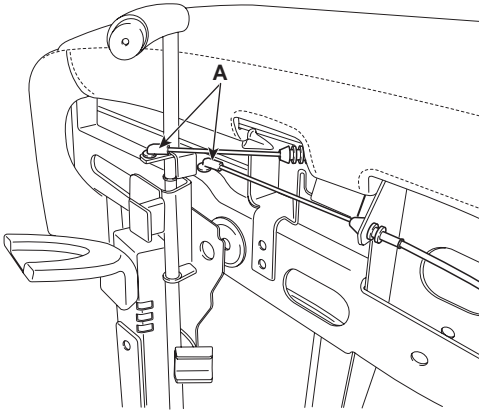
2. After loosening the mounting bolts, then remove the rail assembly (A).

▷ : Bolt Locations, 4



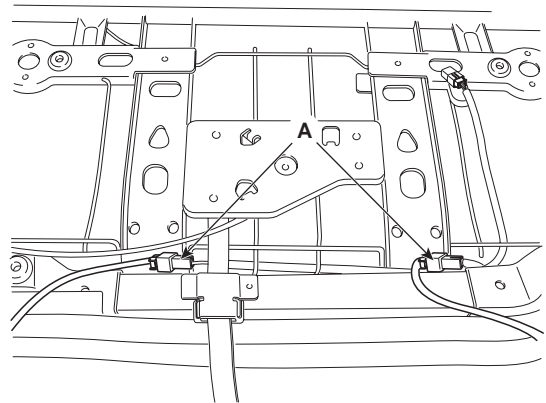
SBLBD6066L

3. Remove the sliding cable (A).



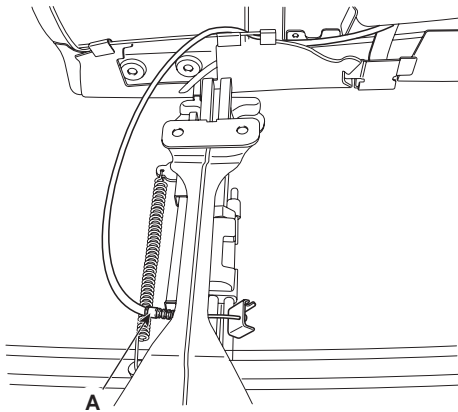
SBLBD6067D

6. Disconnect the connector (A).



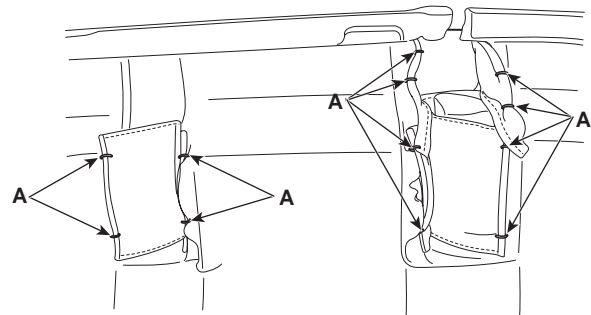
SBLBD6070D

4. Remove the cable (A).



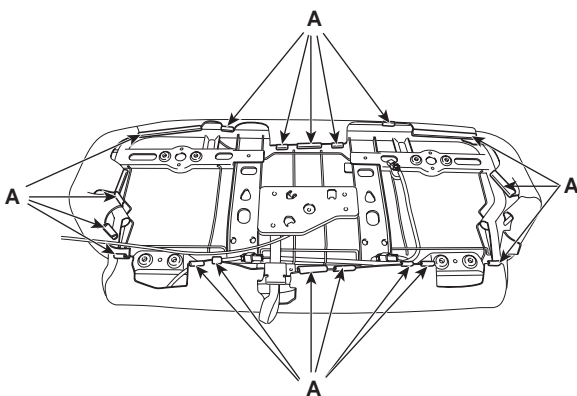
SBLBD6068D

7. Remove the hog-ring clips (A).



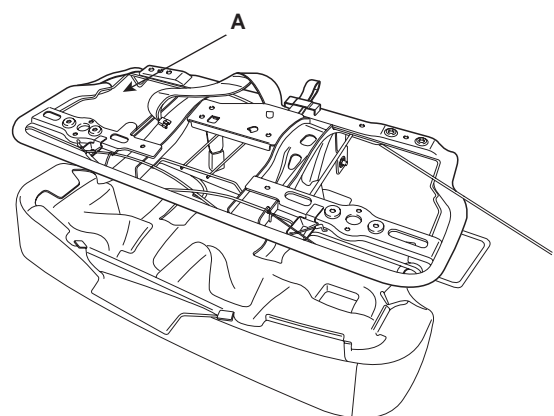
SBLBD6088D

5. Remove the protector (B).



SBLBD6069D

8. Remove the seat cushion frame (A).

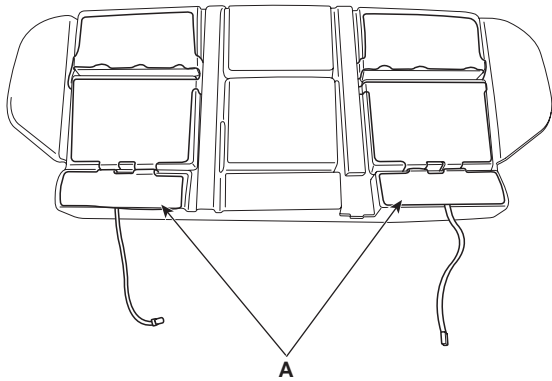


SBLBD6071D

9. Installation is the reverse of removal.

REAR SEAT HEATER REPLACEMENT

1. Remove the seat cushion cover.(Refer to page BD-26)
2. Remove the heater (A).



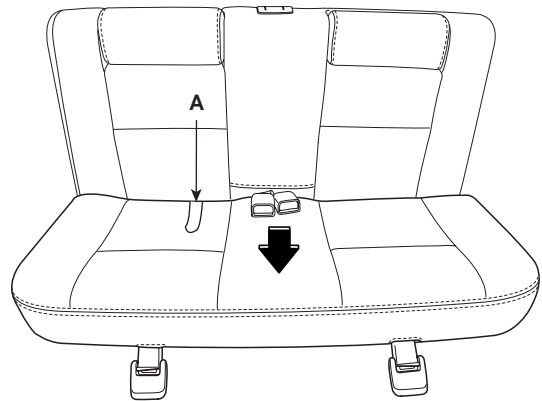
SBLBD6072D

3. Installation is the reverse of removal.

THIRD SEAT

SEAT ASSEMBLY REPLACEMENT

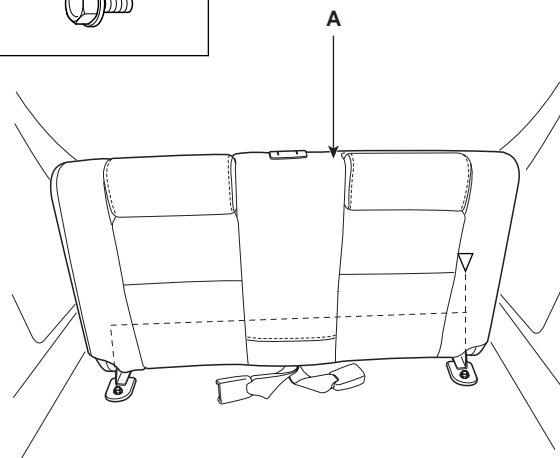
1. Remove the seat cushion (A).



SBLBD6073D

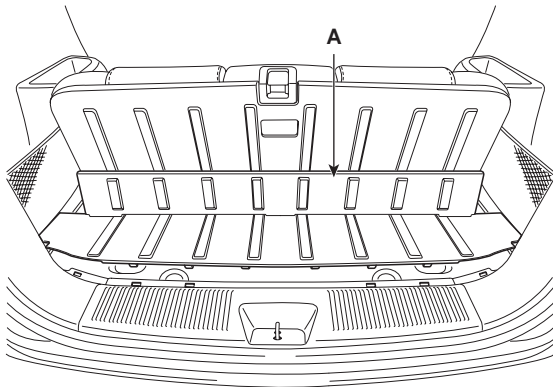
2. Loosen the mounting bolts (A).

▷ : Bolt Locations, 2



SBLBD6074L

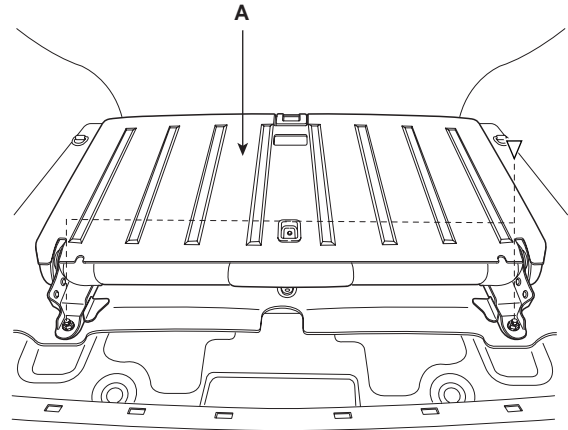
3. Remove the cover (A).



SBLBD6075D

5. After loosening the mounting screw, then remove the seat back (A).

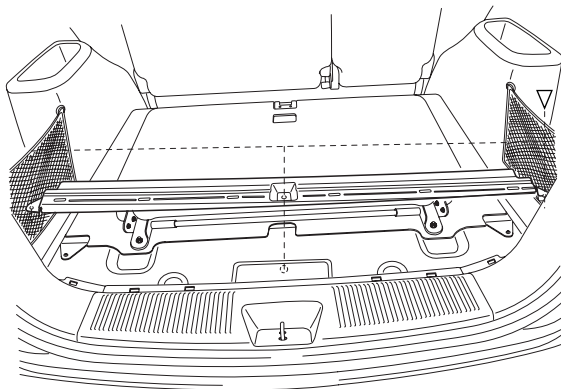
▷ : Nut Locations, 2



SBLBD6077L

4. Remove the bracket (A).

▷ : Bolt Locations, 3



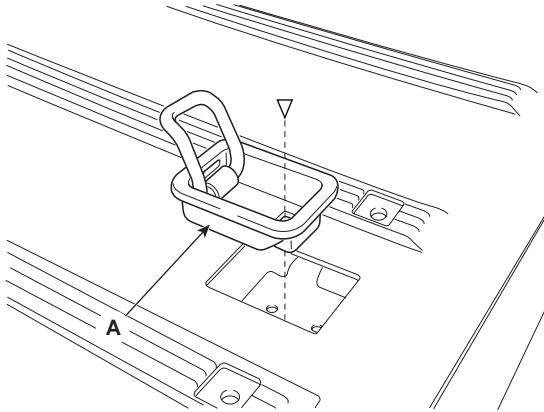
SBLBD6076L

6. Installation is the reverse of removal.

SEAT BACK COVER REPLACEMENT

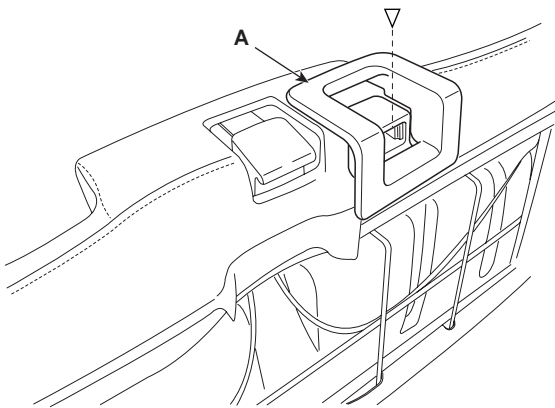
1. Remove the third seat assembly.(Refer to page BD-28)
2. Remove the hook (A).

▷ : Screw Locations, 1



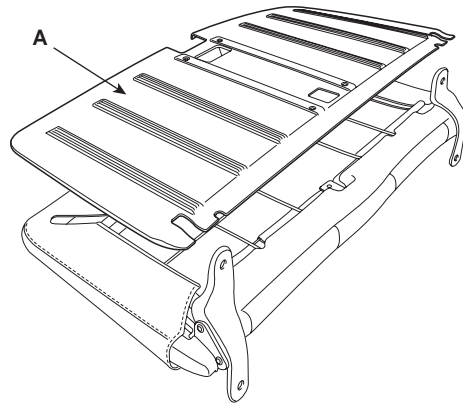
SBLBD6081L

3. Remove the recliner lever (A).



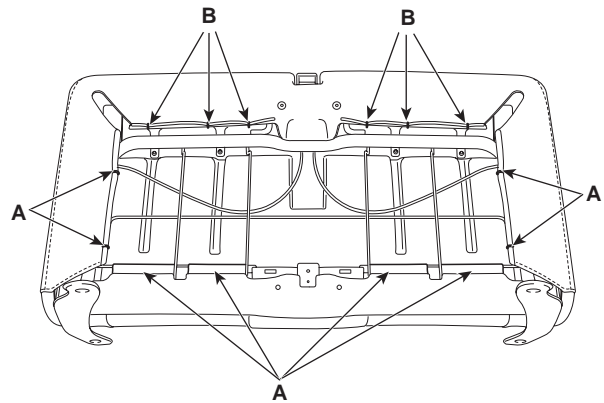
SBLBD6082D

4. Remove the seat back panel (A).



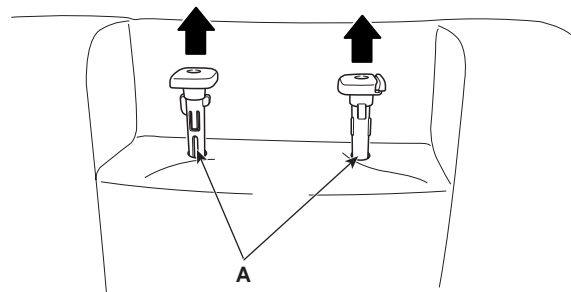
SBLBD6083D

5. Disconnect the protector (A).
6. Remove the hog-ring (B).



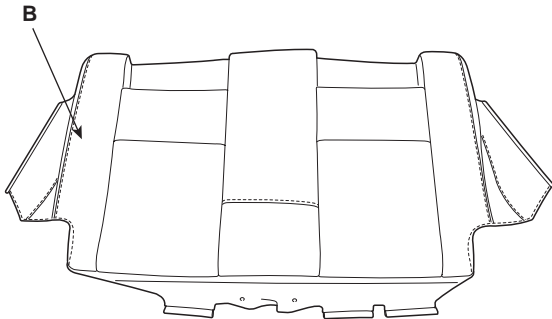
SBLBD6084D

7. Remove the headrest and headrest guide (A).



SBLBD6085D

8. Remove the hog-ring clips on the front of seat back, remove the seat back cover (B).



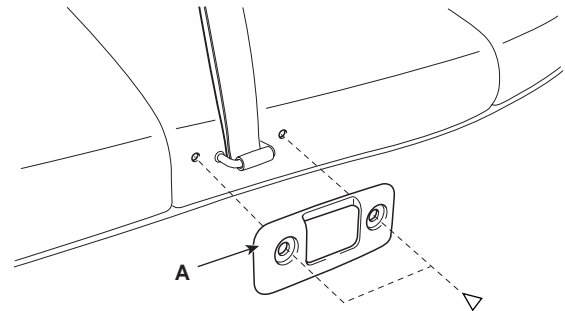
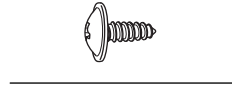
SBLBD6080D

9. Installation is the reverse of removal.

SEAT CUSHION COVER REPLACEMENT

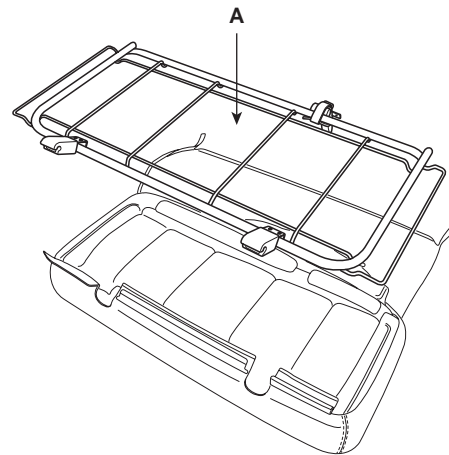
1. Remove the cover(A).

▷ : Screw Locations, 2



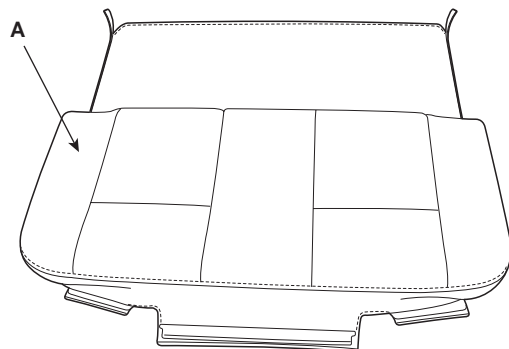
SBLBD6078L

2. Remove the seat back frame(A).



SBLBD6079D

3. Remove the hog-ring clips on the front of seat back, remove the seat cushion cover(A).



SBLBD6086D

4. Installation is the reverse of removal.