

BD-2

Body (Interior and Exterior)

General Information

Specifications

Hood	Type	Rear hinged, gas lifter type
Front Door	Construction	Front hinged, full door construction
	Regulator system	Wire drum type
	Locking system	Pin-fork system
Rear Door	Construction	Front hinged, full door construction
	Regulator system	Wire drum type
	Locking system	Pin-fork system
Tailgate	Type	Inner hinged, gas lifter
Glass Thicknes	Front door glass	3.56mm (0.1402in.)
	Rear door glass	3.56mm (0.1402in.)
Seat Belts	Front	3 point type with Emergency Locking Retractor (E.L.R)
	Rear	3 point type with Emergency Locking Retractor (E.L.R) 2 point type

General Information

BD-3

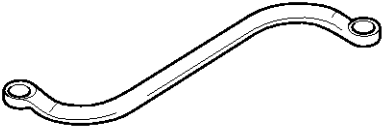

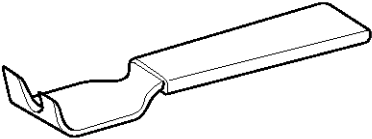
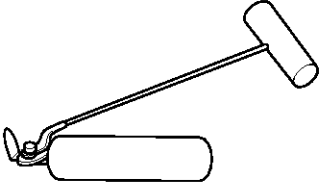
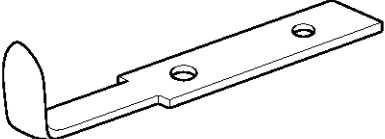
Tightening Torque

	Items	N.m	Kgf.m	Lb-ft
Hood	Hood hinge to body	21.6~26.5	2.2~2.7	15.9~19.5
	Hood hinge to hood	21.6~26.5	2.7~2.7	15.9~19.5
	Hood latch to body	6.9~8.8	0.7~1.1	5.1~8.0
Tailgate	Tailgate hinge to body	16.7~21.6	1.7~2.2	12.3~15.9
	Tailgate hinge to tailgate	15.7~23.5	1.6~2.4	11.6~17.4
	Tailgate latch	6.9~10.8	0.7~1.1	5.1~8.0
Front and rear doors	Door hinge to door	34.3~41.2	3.5~4.2	25.3~30.4
	Door hinge to door	21.6~26.5	2.2~2.7	15.9~19.5
	Door striker	16.7~21.6	1.7~2.2	12.3~15.9
	Checker to body	16.7~21.6	1.7~2.2	12.3~15.9
	Checker to door	6.9~10.8	0.7~1.1	5.1~8.0
Seat	Front seat mounting bolts	39.2~53.9	3.5~5.5	25.3~39.8
	Rear seat mounting bolts	39.2~53.9	3.5~5.5	25.3~39.8
Seat belt	Front seat belt height adjuster	39.2~53.9	4.0~5.5	28.9~39.8
	Front seat belt buckle mounting bolt	39.2~53.9	4.0~5.5	28.9~39.8
	Front seat belt anchor mounting bolt	39.2~53.9	4.0~5.5	28.9~39.8
	Front seat belt lower anchor	39.2~53.9	4.0~5.5	28.9~39.8
	Front seat belt upper anchor	39.2~53.9	4.0~5.5	28.9~39.8
	Rear seat belt anchor attaching bolt	39.2~53.9	4.0~5.5	28.9~39.8
	Rear seat belt retractor mounting bolt	39.2~53.9	4.0~5.5	28.9~39.8

BD-4

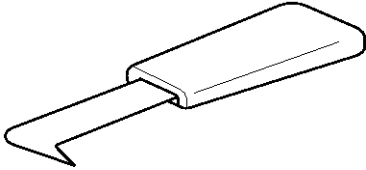
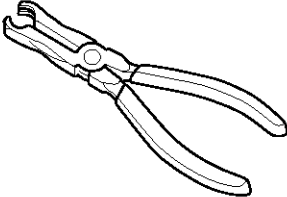
Body (Interior and Exterior)

Special Service Tools

Tool (Number and name)	Illustration	Use
09793-2100 Door hinge adjusting wrench	 SSPBD00001	Adjustment, removal and installation of the door hinge
09800-21000 Ornament remover	 SSPBD00002	Trim removal
09853-31000 Headliner clip remover	 SSPBD00003	Headliner clip removal
09861-31100 Sealant cut-out tool	 SSPBD00004	Cutting windshield sealant (use with 09861-31200)
09861-31200 Sealant cutting blade	 SSPBD00005	Cutting windshield sealant (use with 09861-31100)

General Information

BD-5

Tool (Number and name)	Illustration	Use
09681-31000 Windshield molding remover	 SSPBD00008	Windshield molding removal
09880-4F000 Hog ring clip installer	 SSPBD00009	Hog ring clip installation

BD-6

Body (Interior and Exterior)

Troubleshooting

Symptom	Suspect Area	Remedy (Refer to page)
Water leaks from sunroof	Dirt accumulation in drain tube	Remove dirt from drain
	Clogged drain tube	Blow air into drain to remove dirt
	Broken or dislocated drain tube, defective or cracked clip	Check tube installation and flange contact
	Deteriorated roof lid weatherstrip	Replace
	Excessive roof lid-to-body clearance and improperly fitted weatherstrip	Adjust
Wind noise around sunroof	Loose or deformed deflector, gaps in body work	Retighten adjust or replace
Noise heard when opening/closing sunroof	Foreign particles lodged in guide rail	Check drive cable and guide rails for foreign particles
	Loose guide rails and lid	Retighten
Motor runs but sunroof does not move or moves only partially	Foreign particles lodged in guide rail	Adjust or replace
	Incorrect engagement of motor pinion with drive cable	
	Decrease in motor's clutch slipping force	
	Increased sunroof sliding resistance or interference of sunroof with drive cables, weatherstrip, etc. due to mal adjustment of sunroof	
Noise in motor (clutch slipping noise from motor when sunroof is fully opened or closed is not an unusual noise)	Incorrect engagement of motor pinion with drive cable	Check pinion installation and retighten motor
	Worn out or damaged motor pinion bearing	Replace motor assembly
	Worn out or deformed drive cable	Replace
Door glass fails to operate up and down	Incorrect window glass installation	Adjust position
	Damaged or faulty regulator arm or regulator	Correct or replace
Door does not open or close completely	Incorrect door installation	Adjust position
	Defective door check assembly	Correct or replace
	Door hinge requires grease	Apply grease
Hood does not open or close completely	Striker and latch not properly aligned	Adjust
	Incorrectly installed hood	Adjust
	Incorrect hood bumper height	Adjust
Water leak through windshield end rear window	Defective seal	Fill with sealant
	Defective flange	Correct

Exterior

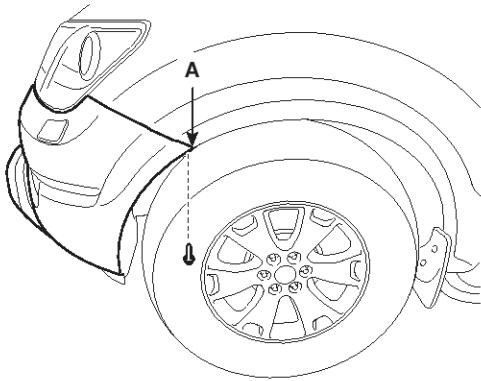
Fender

Replacement

 NOTICE

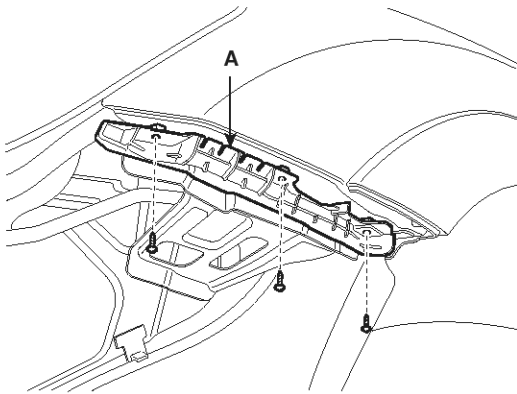
- Be careful not to damage the hood and body.
- Use a clip remover when removing clips.

1. Remove the front bumper mounting screw (A).



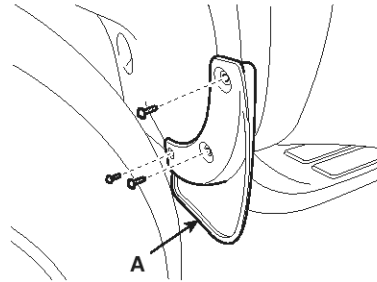
SHMBD8001D

2. After loosening the fender mounting screws, remove the fender bumper mounting bracket (A).



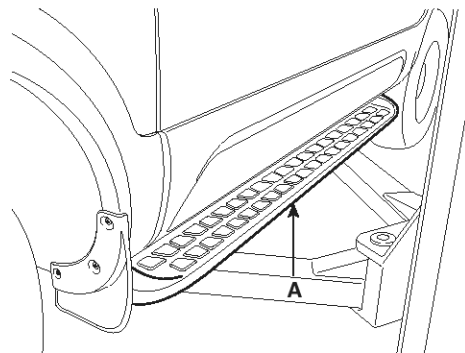
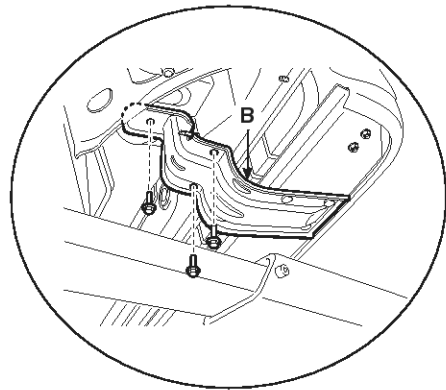
SHMBD8002D

3. After loosening the fender mounting screws, remove the mud guard (A).



SHMBD8003D

4. After loosening the fender mounting bolts (B), remove the side step (A).

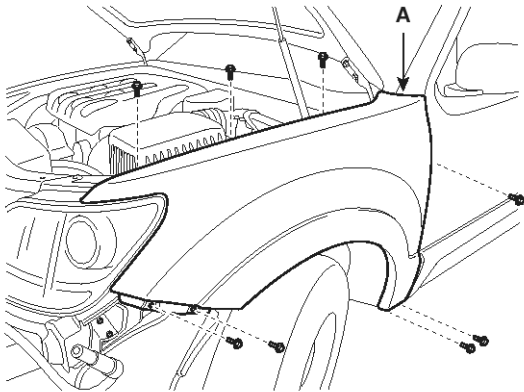


SHMBD8005L

BD-8

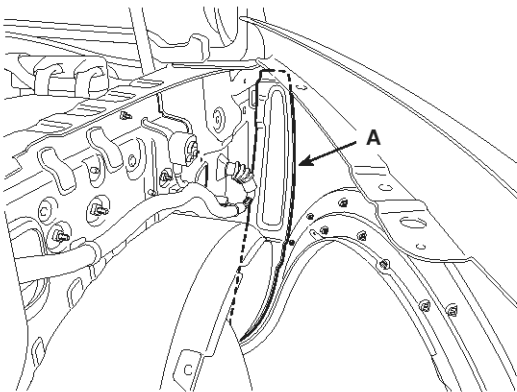
Body (Interior and Exterior)

5. After loosening the fender mounting bolts, remove the fender (A).



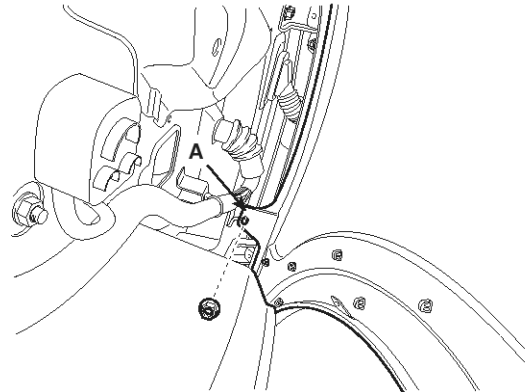
SHMBD8006D

6. Remove the insulator pad (A).



SHMBD8007D

7. After loosening the fender mounting nut (A), remove the fender.



SHMBD8008D

8. Installation is the reverse of removal.

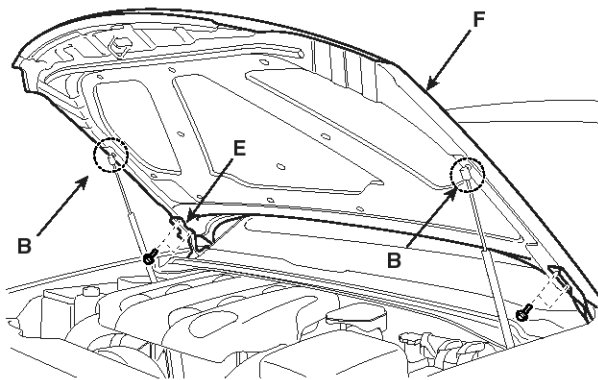
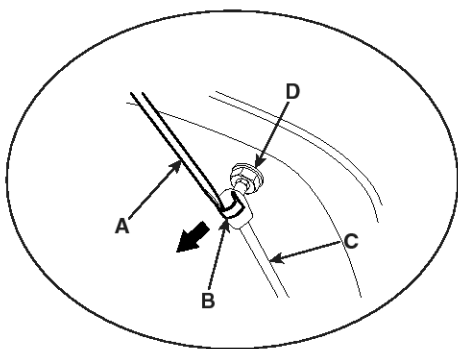
Hood

Replacement

Hood Assembly Replacement

NOTICE

- When removing and installing the hood, an assistant is necessary.
 - Be careful not to damage the hood and body.
 - Use a clip remover when removing clips..
1. Using a screwdriver (A), lift the socket clips (B) up slightly on both ends of the lifter (D), and then remove the lifter from the bracket (C).
 2. After loosening the hood hinge (E) mounting bolts, remove the hood panel (F).



SHMBD8009N

3. Installation is the reverse of removal.

NOTICE

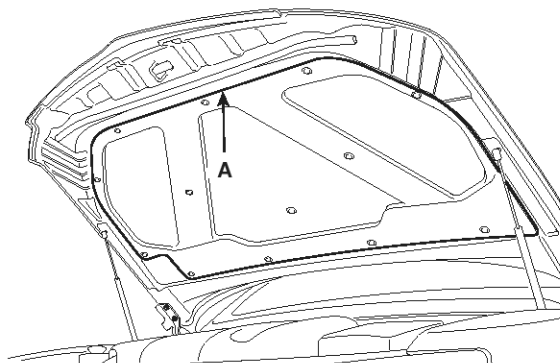
- Make sure the hood opens properly and locks securely.
- Adjust the hood alignment.

Hood Insulator Replacement

1. Using a clip remover, detach the clips, and remove the hood insulator (A).

NOTICE

- Take care not to scratch the hood panel.



SHMBD8010D

2. Installation is the reverse of removal.

NOTICE

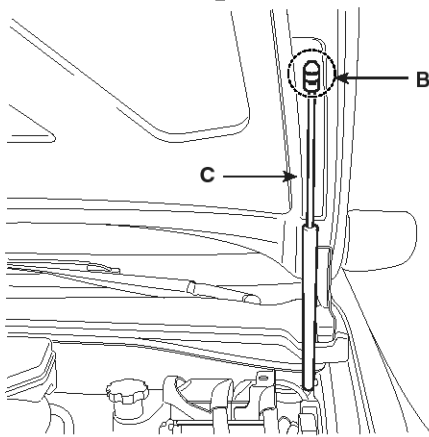
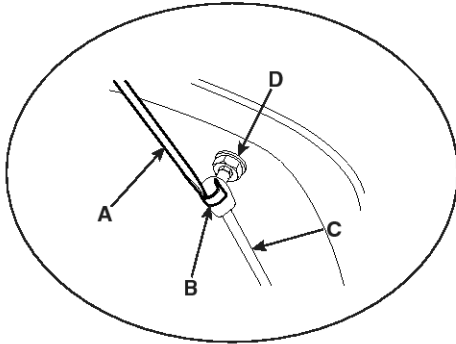
- Replace any damaged clips.

BD-10

Body (Interior and Exterior)

Hood Lift Replacement

1. Using a screwdriver (A), lift the socket clips (B) up slightly on both ends of the lifter (D), and then remove the lifter from the bracket (C).

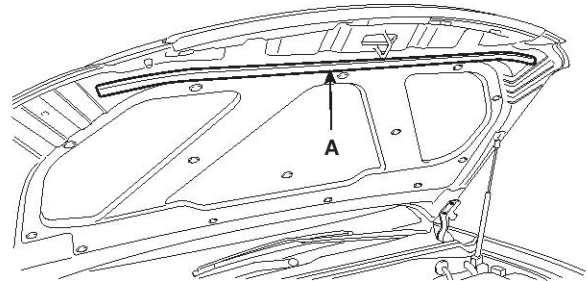


SHMBD8011D

2. Installation is the reverse of removal.

Hood Seal Weatherstrip Replacement

1. Detach the clips, then remove the hood weatherstrip (A). Be careful not to scratch the hood.



SHMBD8012D

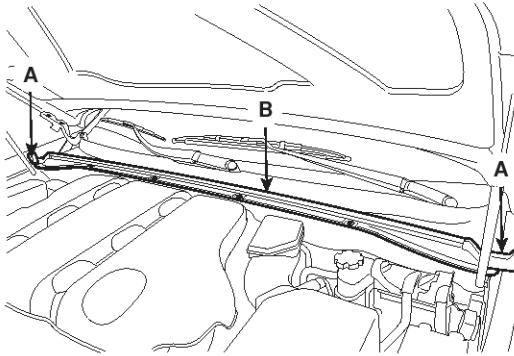
2. Installation is the reverse of removal.

NOTICE

- Replace any damaged clips.

Hood Weatherstrip Replacement

1. Detach the clips, then remove the hood weatherstrip (B). Be careful not to scratch the hood.



SHMBD8013D

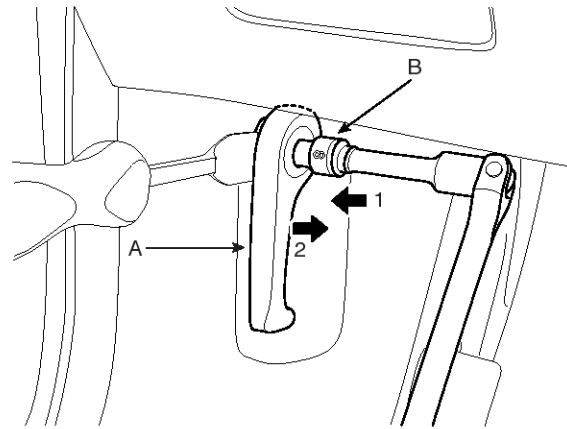
2. Installation is the reverse of removal.

NOTICE

- Replace any damaged clips.

Hood Release Handle Replacement

1. Using a socket (B), remove the hood release handle (A).



SENBD7005D

2. Installation is the reverse of removal.

NOTICE

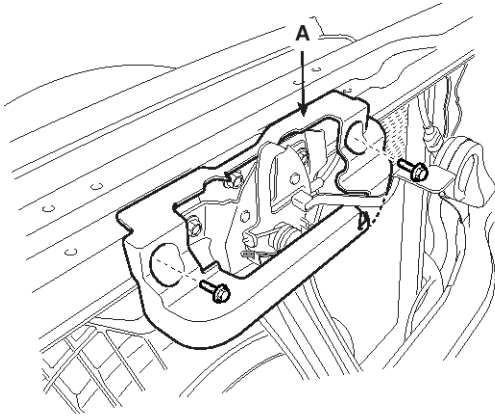
- Make sure the hood latch cable is connected properly.
- Make sure the hood locks securely.

BD-12

Body (Interior and Exterior)

Hood Latch Replacement

1. Remove the front bumper cover.
2. Remove the hood latch cover (A).

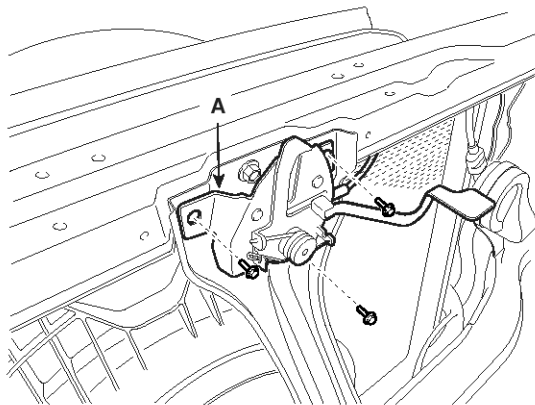


SHMBD8014D

3. Remove the hood latch (A) mounting bolts.

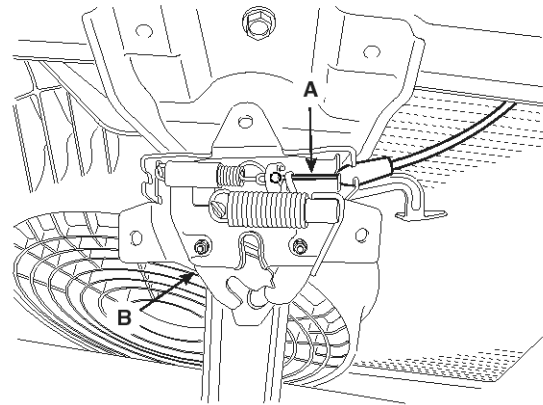
Tightening torque :

6.9~10.8N.m (0.7~1.1kgf.m, 5.1~8.0 lb-ft)



SHMBD8015D

4. Disconnect the hood latch cable (A) and remove the latch (B).



SHMBD8016D

5. Installation is the reverse of removal.

NOTICE

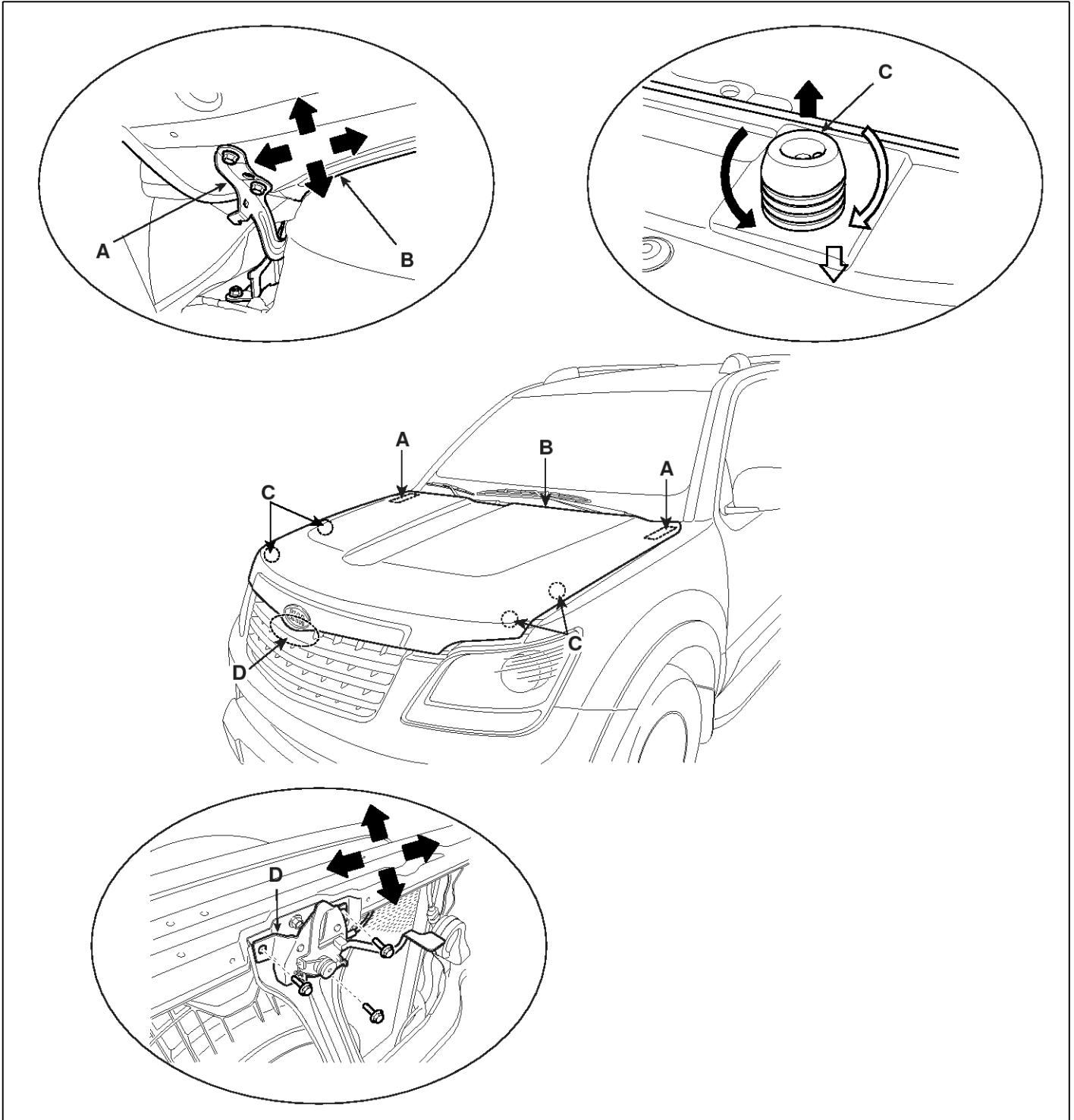
- Make sure the hood latch cable is connected properly.
- Make sure the hood locks securely.

Adjustment

Adjust Hood

1. After loosening the hinge (A) mounting bolt, adjust the hood (B) by moving it up or down, or right or left.
2. Adjust the hood height by turning the hood overslam bumpers (C).

3. After loosening the hood latch (D) mounting bolts, adjust the latch by moving it up or down, or right or left.



SHMBD8017D

BD-14

Body (Interior and Exterior)

Tailgate

Replacement

Tailgate Trim Replacement

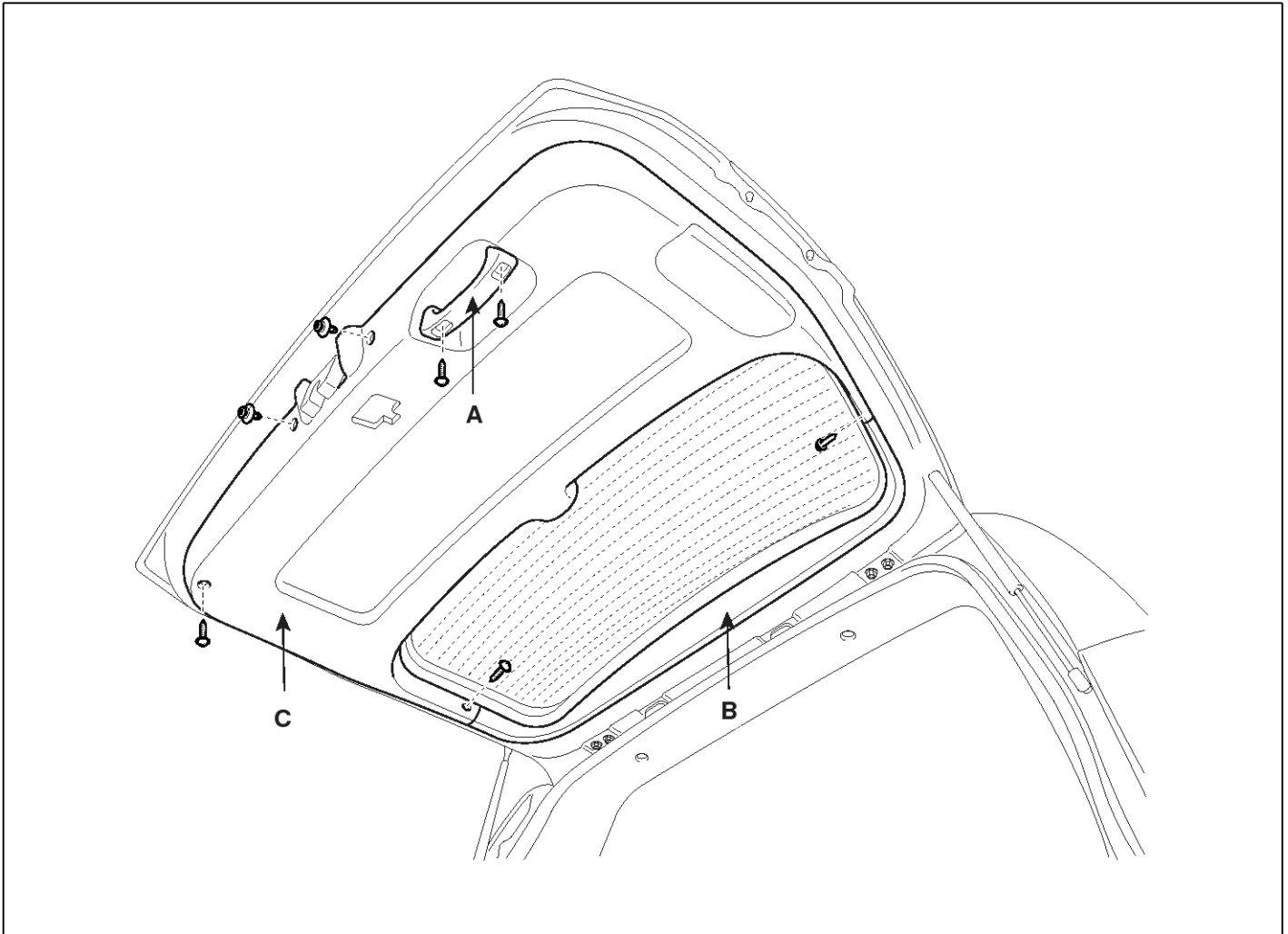
NOTICE

- When prying with a flat-tipped screwdriver, wrap it with protective tape, and apply protective tape around the related parts, to prevent damage.
- Put on gloves to protect your hands.

1. Remove the upper trim (B) and handle (A).
2. After loosening the screws the remove the tailgate trim (C).
3. Installation is the reverse of removal.

NOTICE

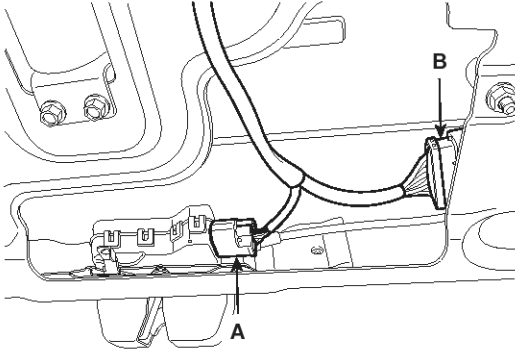
- Replace and damaged clips.



SHMBD8018D

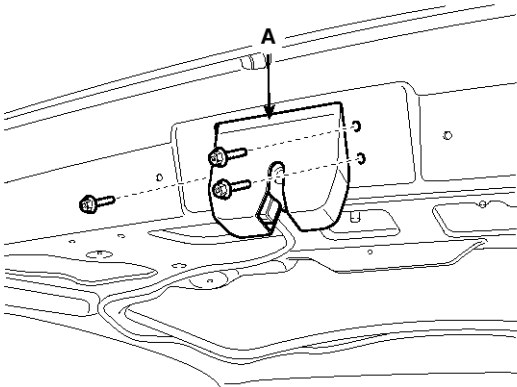
Latch Assembly Replacement

1. Remove the tailgate trim.
2. Disconnect the latch connector (A), actuator connector (B).



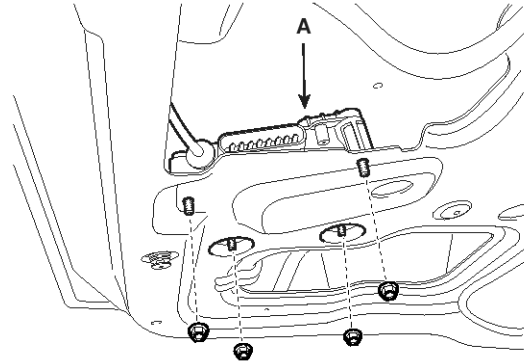
SHMBD8019D

3. After loosening the mounting screws, remove the latch assembly (A).



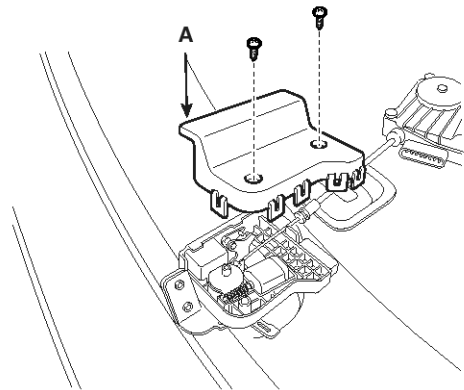
SHMBD8020D

4. After loosening the mounting nuts, remove the actuator assembly (A).



SHMBD8021D

5. After loosening the mounting screws, remove the cover (A).

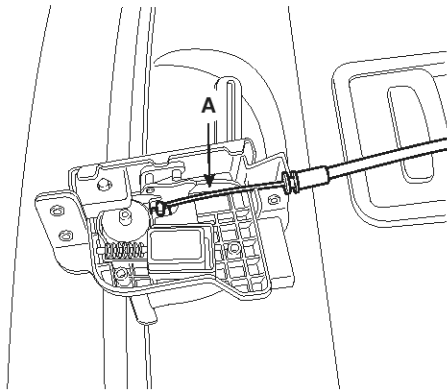


SHMBD8022D

BD-16

Body (Interior and Exterior)

6. Disconnect the cable (A).



SHMBD8023D

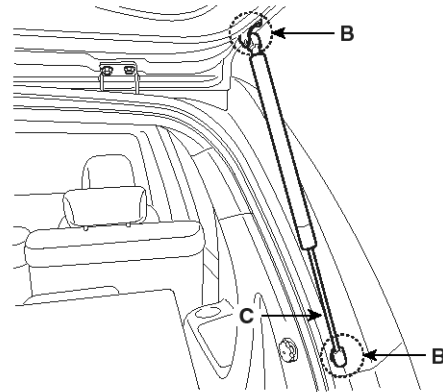
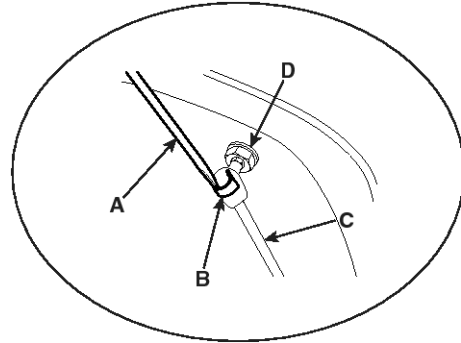
7. Installation is the reverse of removal.

NOTICE

- Make sure connectors are connected properly and the connecting rod is connected properly.
- Make sure the tailgate opens properly and locks securely.

Lifter Replacement

1. Using a screwdriver (A), lift the socket clips (B) up slightly on both ends of the lifter (D), and then remove the lifter from the bracket (C).



SHMBD8024D

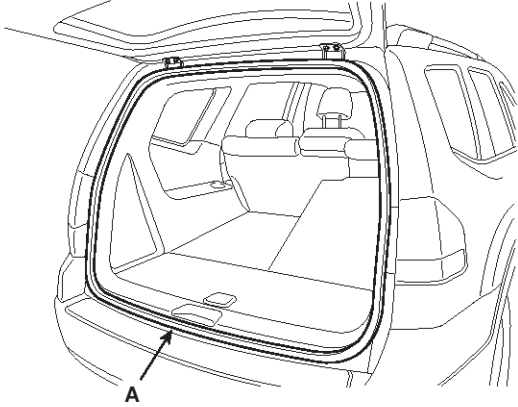
2. Push the socket of the lifter into the bracket for installation.

Tailgate Weatherstrip Replacement

NOTICE

- Do not apply sealant to the body.

1. Remove the tailgate weather strip (A).



SHMBD8025D

2. Installation is the reverse of removal.

BD-18

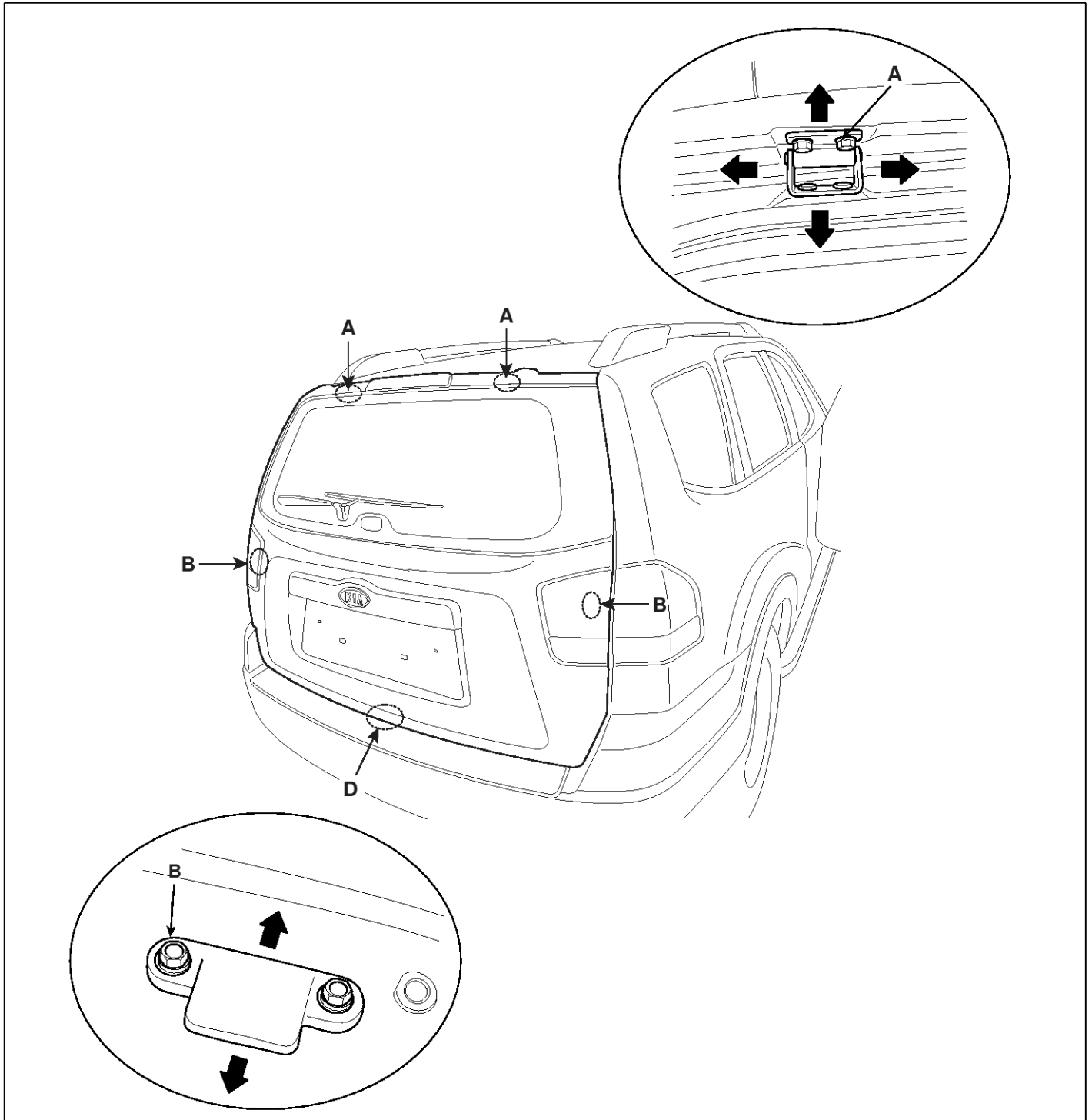
Body (Interior and Exterior)

Adjustment

1. After loosening the tailgate hinge (A) mounting bolt, adjust the tailgate by moving it up or down, or right or left.

2. Adjust the tailgate fit by turning the tailgate over slam bumper and side bumper (B).

3. Adjust the striker (D) by moving it up or down, or right or left.



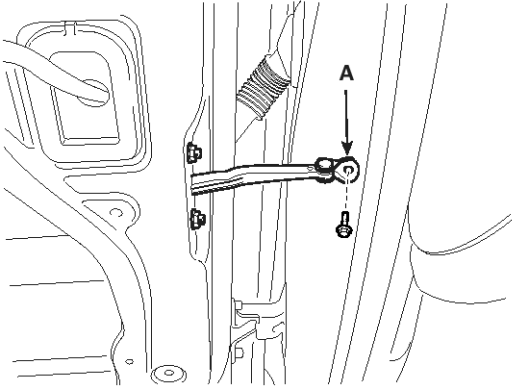
SHMBD8026D

Front Door

Replacements

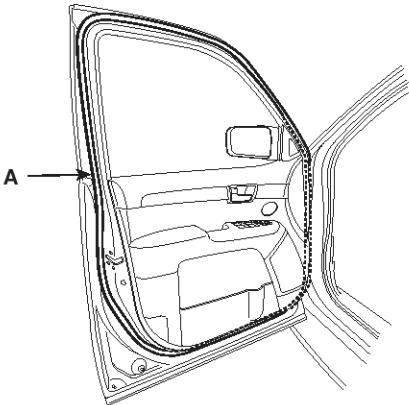
Door Weatherstrip Replacement

1. Loosen the checker (A) mounting bolts.



SHMBD8027N

2. Detach the clips, remove the weatherstrip (A).

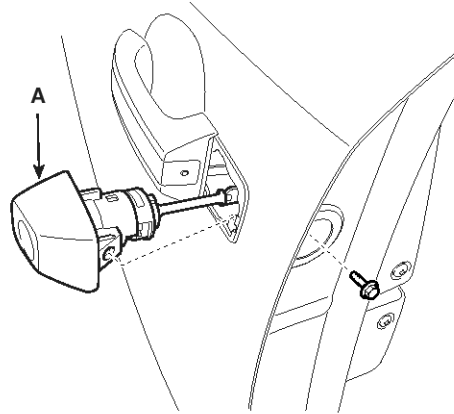


SHMBD8028D

3. Installation is the reverse of removal.

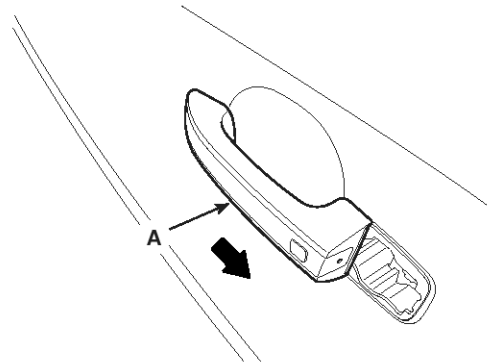
Out Side Handle Replacement

1. After loosening the mounting bolt, remove the lock cylinder (A).



SHMBD8029D

2. Remove the outside handle (A) by sliding it rearward.

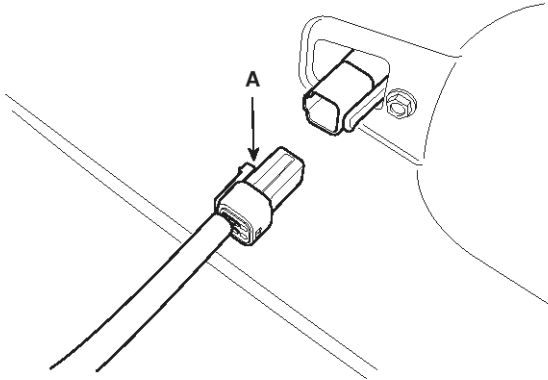


SHMBD8030D

BD-20

Body (Interior and Exterior)

3. Disconnect the connector (A).



SHMBD8031D

4. Installation is the reverse of removal.

NOTICE

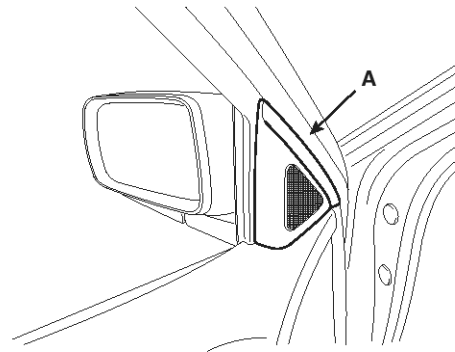
- Make sure door lock operates and door open/closes properly.

Door Trim Replacement

NOTICE

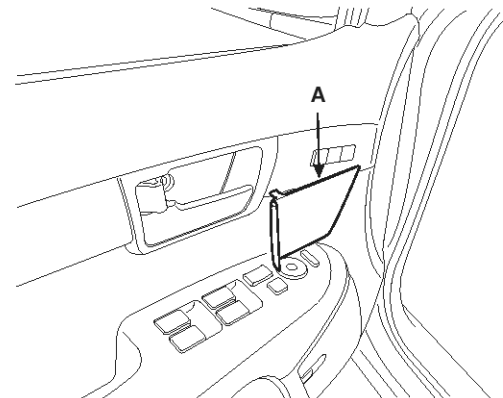
- Be careful not to scratch the door trim and other parts.
- Put on gloves to protect your hands.

1. Remove the quadrant inner cover (A).



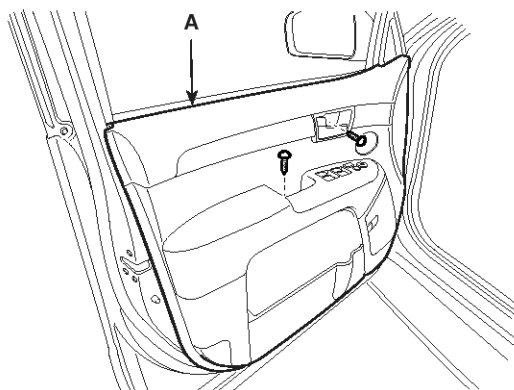
SHMBD8032D

2. Remove the inside handle cover (A).



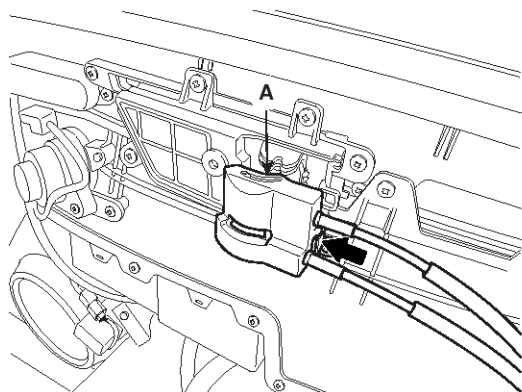
SHMBD8033D

3. Loosen the door trim (A) mounting screws.
4. Release the clips that hold the door trim.



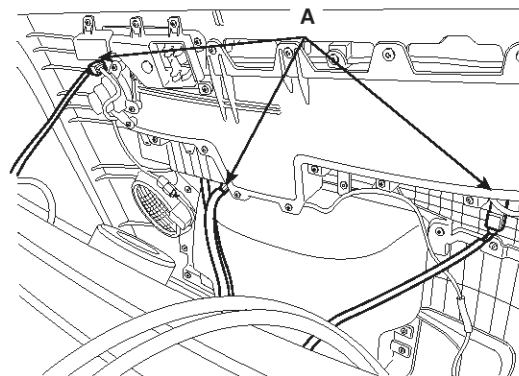
SHMBD8034D

5. Remove the inside handle cage (A).



SHMBD8035D

6. Disconnect the connectors (A).



SHMBD8036D

7. Installation is the reverse of removal.

NOTICE

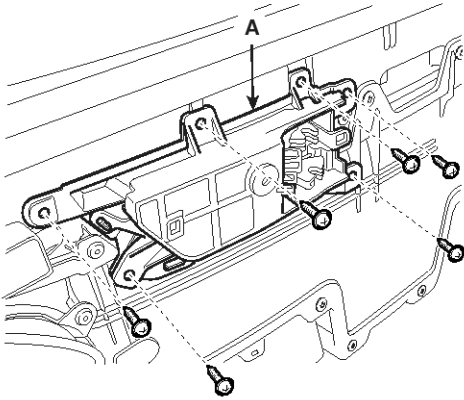
- Make sure connectors are connected properly and each rod is connected securely.
- Make sure door lock operates and door open/closes properly.

BD-22

Body (Interior and Exterior)

Inside Handle Replacement

1. Remove the door trim.
2. Loosen the mounting screw, remove the inside handle (A).



SHMBD8037D

3. Installation is the reverse of removal.

Glass Replacement

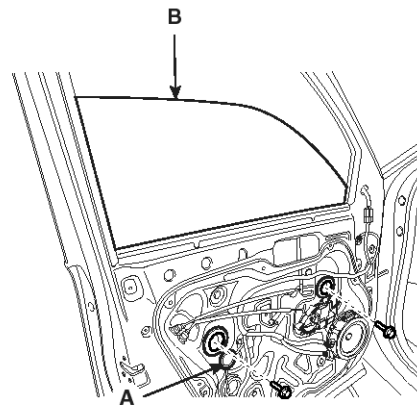
1. Remove the front door trim.
2. Remove the glass mounting hole plug (A).

NOTICE

- Using the door switch to align the mounting hole with the hole on the door glass.
 - If it is impossible, align the hole by hand after removing the motor.
 - Be careful not to drop to glass and scratch the glass surface.
3. Carefully adjust the glass (B) until you can see the bolts, then loosen them. Separate the glass from the glass run and carefully pull the glass out through the window slot.

Tightening torque :

8.8~11.8 N.m (0.9~1.2 kgf.m, 6.5~8.7 lb-ft)



SHMBD8038N

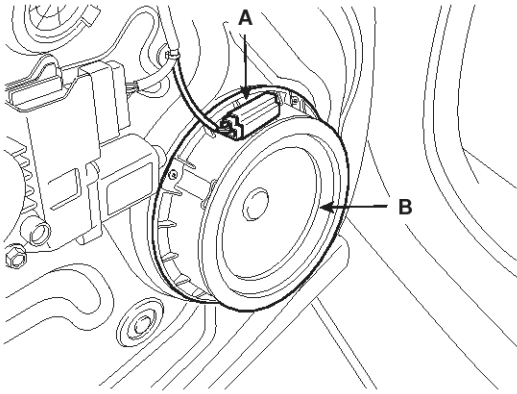
4. Installation is the reverse of removal.

NOTICE

- Roll the glass up and down to see if it move freely without binding.
- Adjust glass position as needed.

Speaker Replacement

1. Remove the door trim.
2. Drill out the rivets to remove the speaker (B) from the door module.
3. Disconnect the speaker connector (A).



SHMBD8039D

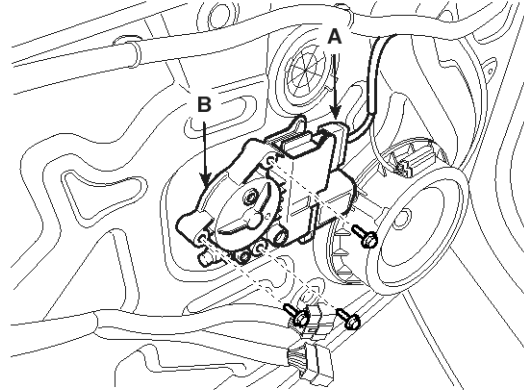
4. Installation is the reverse of removal.

NOTICE

- Use sheet metal screws to secure the speaker.

Power Window Motor Replacement

1. Remove the door trim.
2. After disconnecting the connector (A), remove the power window motor (B).



SHMBD8040D

3. Installation is the reverse of removal.

NOTICE

- Grease should be applied to areas where there is of rotational parts and springs.
- Roll the glass up and down to see if it move freely without binding.

BD-24

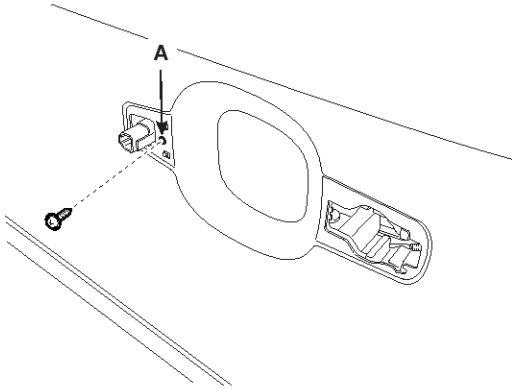
Body (Interior and Exterior)

Door Module Assembly Replacement

1. Remove the following parts.

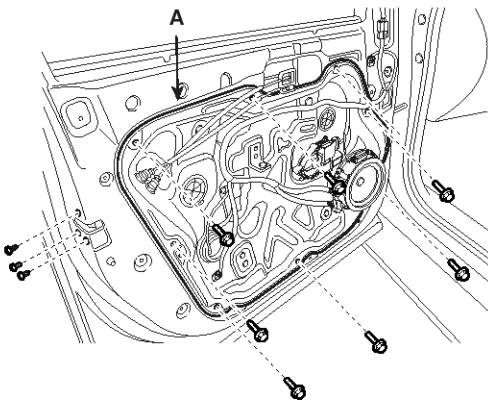
- Door trim
- Window glass
- Outside handle

2. Loosen the mounting screw (A).



SHMBD8041D

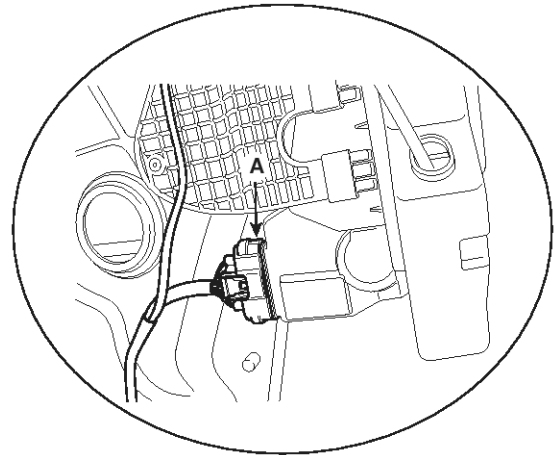
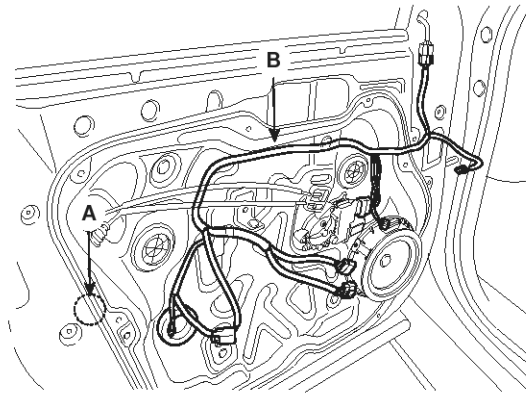
3. Loosen the door module mounting bolts, remove the door module (A).



SHMBD8042D

4. Disconnect the connector (A).

5. Disconnect the door module wiring harness (B), remove the module assembly.



SHMBD8044D

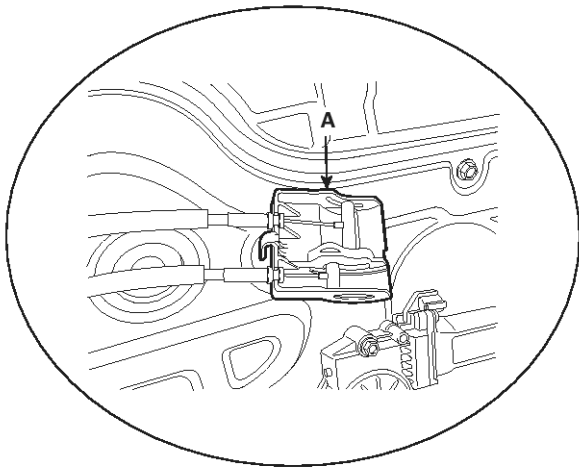
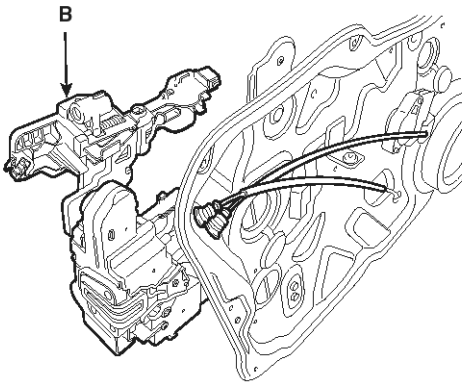
6. Installation is the reverse of removal.

NOTICE

- *The area of whole parts should be applied with sufficient grease.*
- *Make sure connected are connected properly and each rod is connected securely.*
- *Make sure door lock operates and door open/closes properly.*

Latch Assembly Replacement

1. Remove the following parts :
 - Door trim
 - Glass
 - Out side handle
2. Remove the module assembly.
3. Disconnect the inside handle cage (A), remove the latch assembly (B).



SHMBD8046L

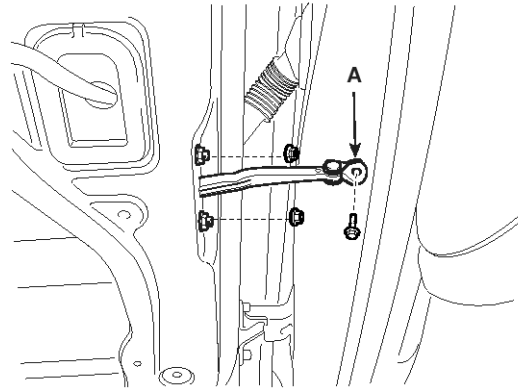
4. Installation is the reverse the removal.

NOTICE

- Make sure door lock operates and door open/closes properly.

Door Checker Replacement

1. Remove the following parts :
 - Door trim
 - Window glass
 - Door module
2. After loosening the mounting bolts, remove the door checker (A).



SHMBD8027D

3. Installation is the reverse of removal.

NOTICE

- Make sure the door opens properly and locks securely.

BD-26

Body (Interior and Exterior)

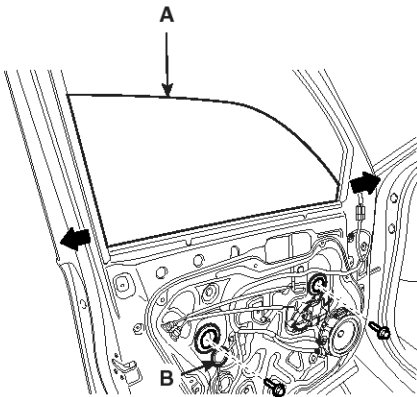
Adjustment

Glass Adjustment

NOTICE

- Check the glass run channel for damage or deterioration, and replace them as needed.

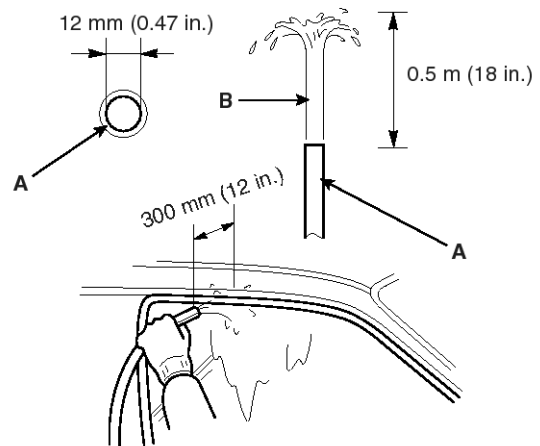
1. Remove the following parts :
 - Quadrant inner cover
 - Door trim
2. Carefully move the glass (A) until the glass mounting bolts are visible (B), then loosen them.



SHMBD8357D

3. Check that the glass moves smoothly.
4. Raise the glass fully, and check for gaps. Check that the glass contacts the glass run channel evenly.

5. Check for water leaks. Run water over the roof and on the sealing area as shown, and note these items:
 - Use a 12mm (1/2in.) diameter hose (A).
 - Adjust the rate of water flow as shown (B).
 - Do not use a nozzle.
 - Hold the hose about 300mm(12in.) away from the door (C).



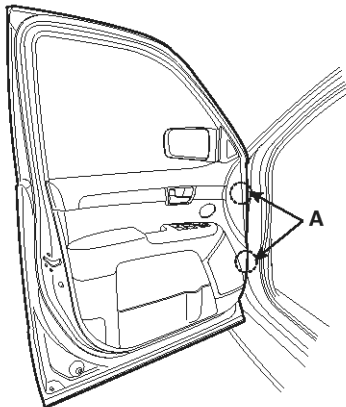
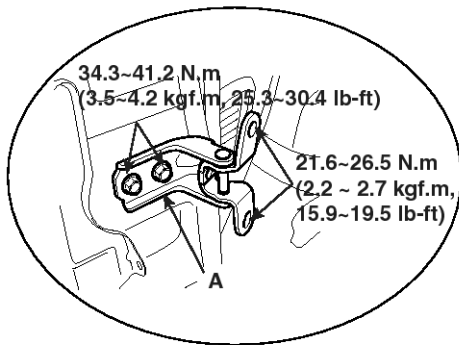
ESKE003L

Door Position Adjustment

NOTICE

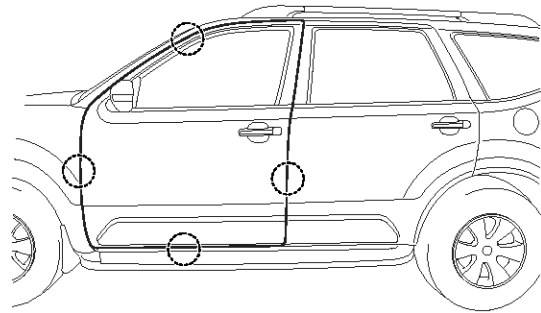
• After installing the door, check for a flush fit with the body, then check for equal gaps between the front, rear, and bottom, door edges and the body. Check that the door and body edges are parallel. Before adjusting, replace the mounting bolts.

1. Place the vehicle on a firm, level surface when adjusting the doors.
2. Adjust at the hinges (A):
 - Loosen the door mounting bolts slightly, and move the door IN or OUT until it aligns flush with the body.
 - Loosen the hinge mounting bolts slightly, and move the door BACKWARD or FORWARD, UP or DOWN as necessary to equalize the gaps.
 - Place a shop towel on the jack to prevent damage to the door when adjusting the door.



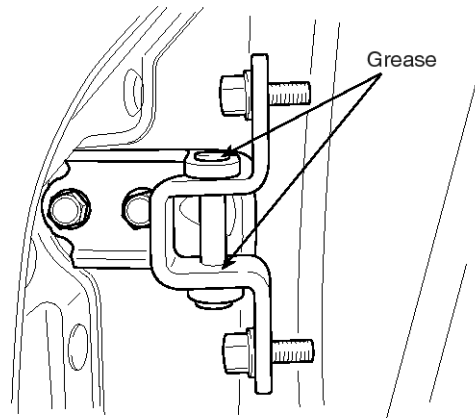
SHMBD8283N

3. Check that the door and body edges are parallel.



SHMBD8047D

4. Grease the pivot portions of the hinges indicated by the arrows.



ESBF152A

5. Check for water leaks.

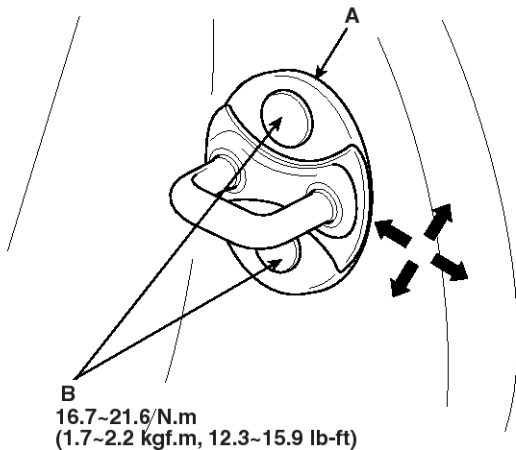
BD-28

Body (Interior and Exterior)

Door Striker Adjustment

Make sure the door latches securely without slamming it. If necessary adjust the striker (A): The striker nuts are fixed. The striker can be fine adjusted up or down, and in or out.

1. Loosen the screws (B), then insert a shop towel between the body and striker.



SHMBD9500N

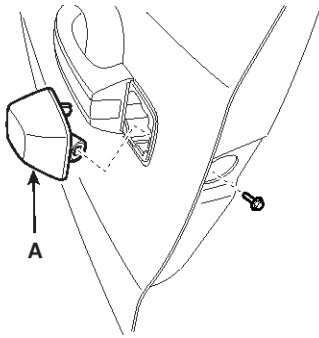
2. Lightly tighten the screws.
3. Wrap the striker with a shop towel, then adjust the striker by tapping it with a plastic hammer. Do not tap the striker too hard.
4. Loosen the screws and remove the shop towel.
5. Lightly tighten the screws.
6. Hold the outer handle out, and push the door against the body to be sure the striker allows a flush fit. If the door latches properly, tighten the screws and recheck.

Rear Door

Replacement

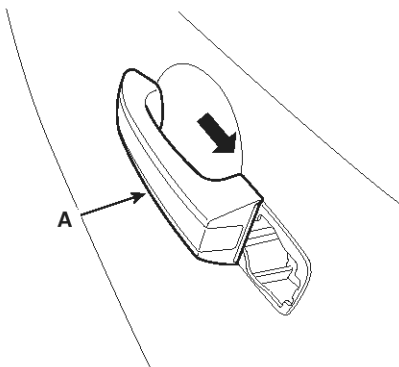
Out Side Handle Replacement

1. After loosening the mounting bolt, remove the handle cover (A).



SHMBD8048D

2. Remove the outside handle (A) by sliding it rearward.



SHMBD8049D

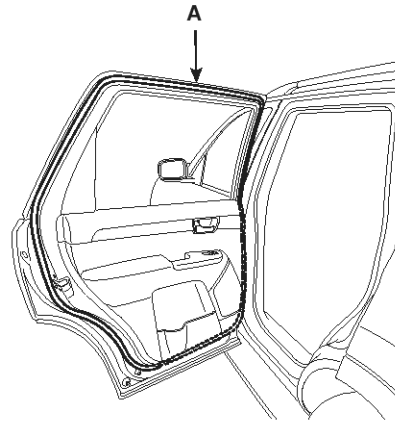
3. Installation is the reverse of removal.

NOTICE

- Make sure door lock operates and door open/closes properly.

Door Weatherstrip Replacement

1. Loosen the checker mounting bolts.
2. Detach the clips, remove the weatherstrip (A).



SHMBD8050D

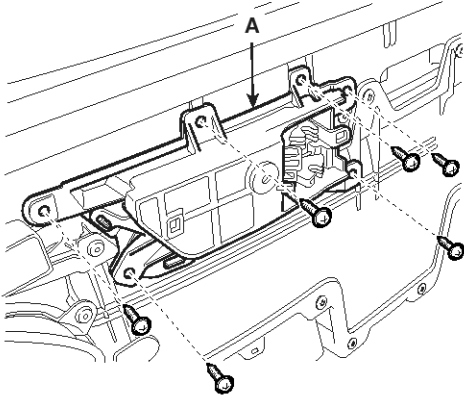
3. Installation is the reverse the removal.

BD-30

Body (Interior and Exterior)

Inside Handle Replacement

1. Remove the door trim.
2. After loosening the mounting screw, remove the handle cover (A).



SHMBD8037D

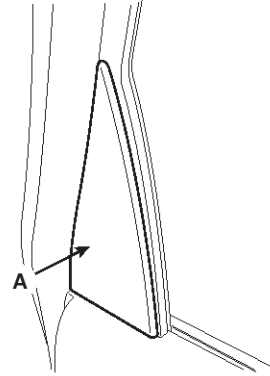
3. Installation is the reverse of removal.

Door Trim Replacement

NOTICE

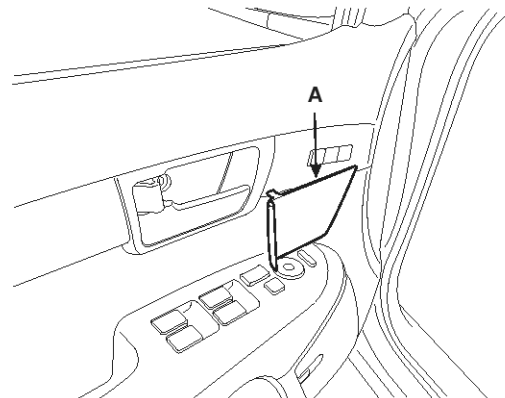
- Be careful not to scratch the door trim and other parts.
- Put on gloves to protect your hands.

1. Remove the delta inner cover (A).



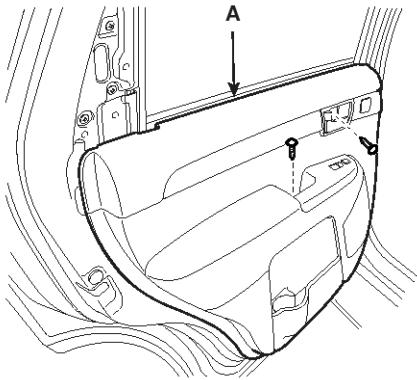
SHMBD8051D

2. Remove the inside handle cover (A).



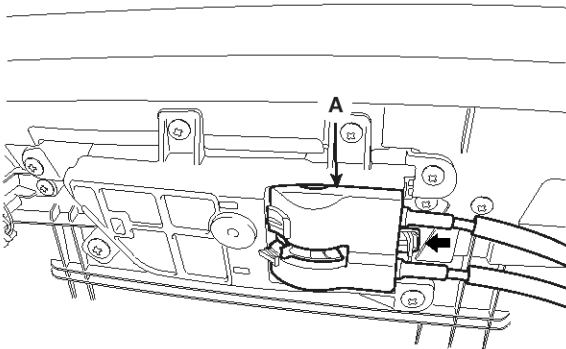
SHMBD8033D

3. Loosen the door trim (A) mounting screws. Release the clips that hold the door trim.



SHMBD8052D

4. Remove the inside handle cage (A).



SHMBD8053D

5. Installation is the reverse of removal.

NOTICE

- Make sure connectors are connected properly and each rod is connected securely.
- Make sure the door lock and opens properly.

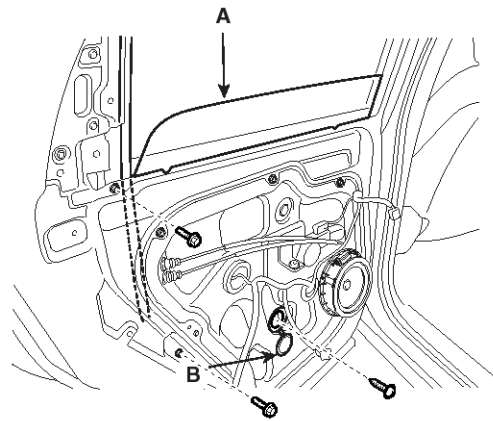
Glass Replacement

NOTICE

- Put on gloves to protect your hands.
1. Remove the door trim.
 2. Remove the glass mounting hole plug (B).
 3. Remove the door belt weatherstrip.
 4. Release the rear channel mounting bolt.

CAUTION

- Be careful not to drop to glass and scratch the glass surface.
5. Carefully adjust the glass (A) until you can see the bolts, then loosen them. Separate the glass from the glass run and carefully pull the glass out through the window slot.



SHMBD8054N

6. Installation is the reverse of removal.

NOTICE

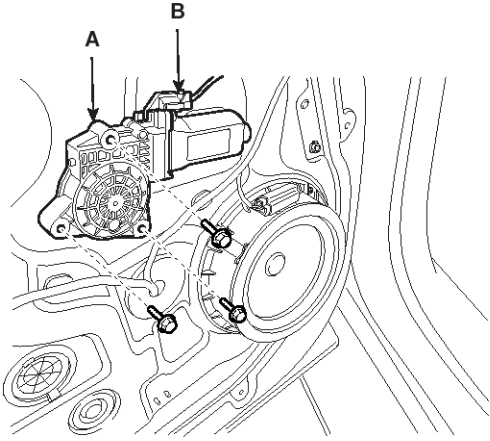
- Roll the glass up and down to see if it move freely without binding.
- Adjust the glass position as needed.

BD-32

Body (Interior and Exterior)

Power Window Motor Replacement

1. Remove the door trim.
2. After disconnecting the connector (A), remove the power window motor (B).



SHMBD8055D

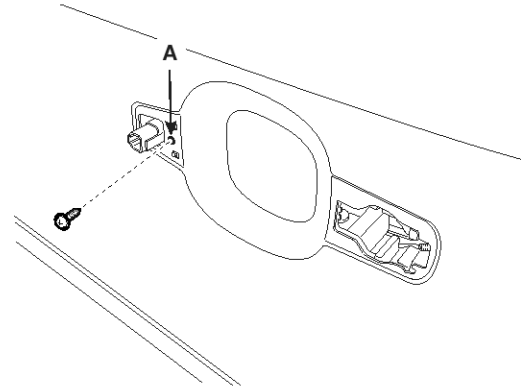
3. Installation is the reverse of removal.

NOTICE

- Grease should be applied to areas where there is of rotational parts and springs.
- Roll the glass up and down to see if it move freely without binding.

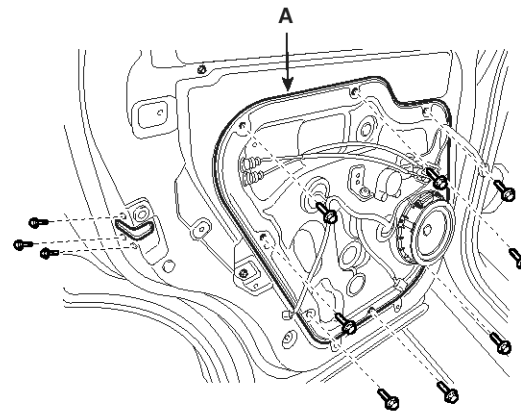
Module Assembly Replacement

1. Remove the following parts :
 - Door trim
 - Window glass
 - Outside handle
2. Loosen the mounting screw (A).



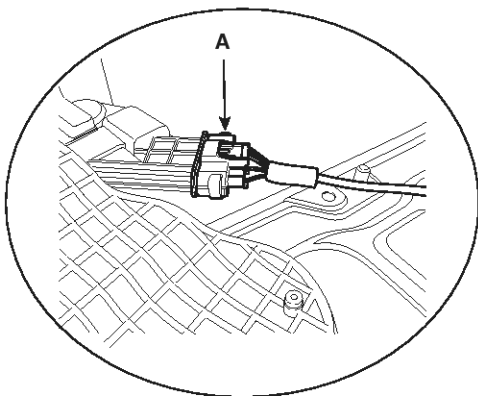
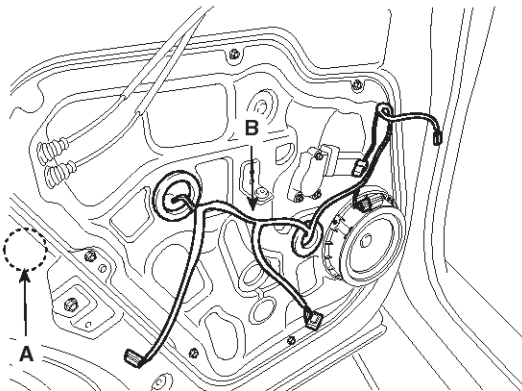
SHMBD8041D

3. After loosening the door module mounting bolts, remove the door module (A).



SHMBD8056D

4. Disconnect the connector (A).
5. Detach the clips, remove the wiring harness (B).



SHMBD8058D

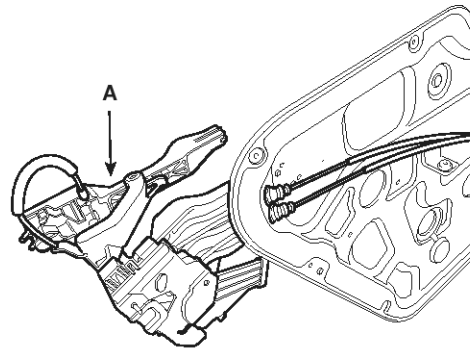
6. Installation is the reverse of removal.

NOTICE

- Grease should be applied to areas where there is whole parts.
- Make sure connectors are connected properly and each rod is connected securely.
- Make sure the door lock and open properly.

Latch Assembly Replacement

1. Remove the following parts :
 - Door trim
 - Glass
 - Out side handle
2. Remove the module assembly.
3. Disconnect the latch connector, remove the latch assembly (A).



SHMBD8059D

4. Installation is the reverse the removal.

NOTICE

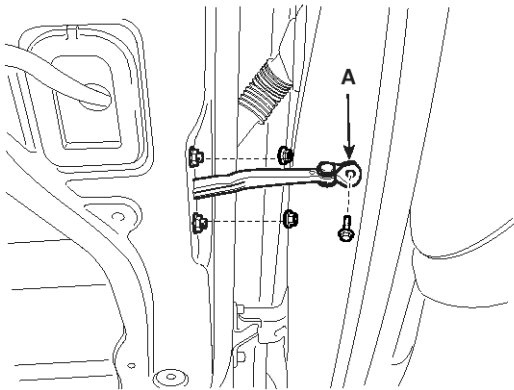
- Make sure door lock operates and open/closes properly.

BD-34

Body (Interior and Exterior)

Door Checker Replacement

1. Remove the following parts :
 - Door trim
 - Window glass
 - Door module
2. After loosening the mounting bolts, remove the door checker (A).



SHMBD8027D

3. Installation is the reverse of removal.

NOTICE

- *Make sure the door opens properly and locks securely.*

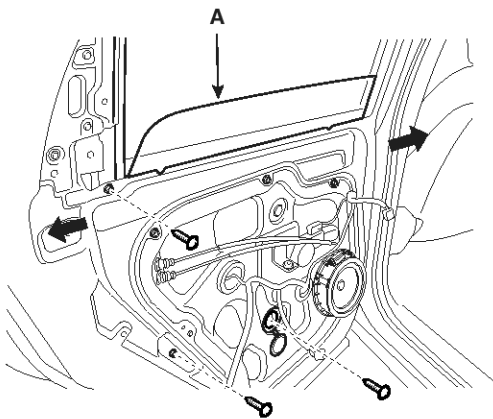
Adjustment

Glass Adjustment

NOTICE

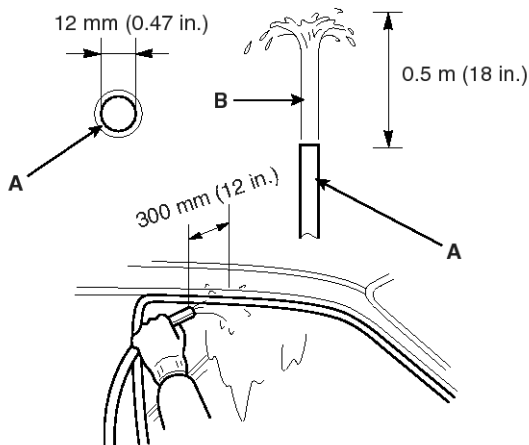
• Check the glass run channel for damage or deterioration, and replace them necessary.

1. Remove the following parts :
 - Door trim
2. Carefully move the glass (A) until you can see the glass mounting bolts (B), then loosen them.



SHMBD8284D

3. Check that the glass moves smoothly.
4. Raise the glass fully, and check for gaps. Check that the glass contacts the glass run channel evenly.
5. Heck for water leaks. Run water over the roof and on the sealing area as shown, and note these items:
 - Use a 12mm (1/2in.) diameter hose (A).
 - Adjust the rate of water flow as shown (B).
 - Do not use a nozzle.
 - Hold the hose about 300mm(12in.) away from the door (C).



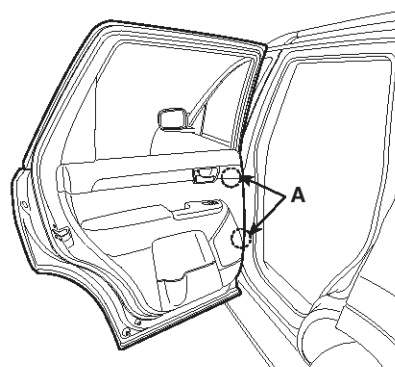
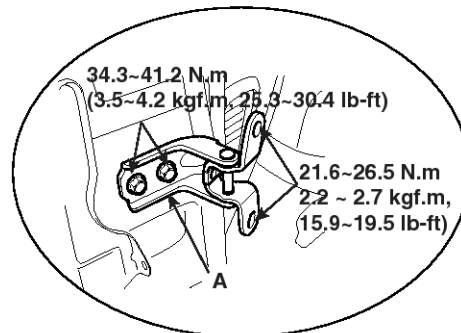
ESKE003L

Door Position Adjustment

NOTICE

• After installing the door, check for a flush fit with the adjacent body panels, then check for equal gaps between the front, rear, and bottom, door edges and the body. Check that the door and body edges are parallel. Before adjusting, replace the mounting bolts.

1. Place the vehicle on a firm, level surface when adjusting the doors.
2. Adjust at the hinges (A):
 - Loosen the door mounting bolts slightly, and move the door IN or OUT until it aligns flush with the body.
 - Loosen the hinge mounting bolts slightly, and move the door BACKWARD or FORWARD, UP or DOWN as necessary to equalize the gaps.
 - Place a shop towel on the jack to prevent damage to the door when adjusting the door.

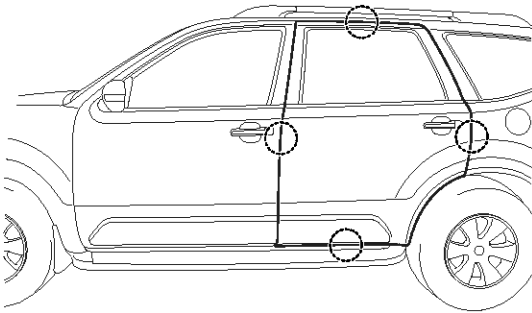


SHMBD8286N

BD-36

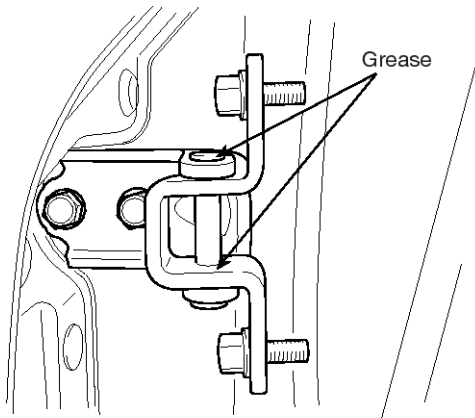
Body (Interior and Exterior)

3. Check that the door and body edges are parallel.



SHMBD8285D

4. Grease the pivot portions of the hinges indicated by the arrows.



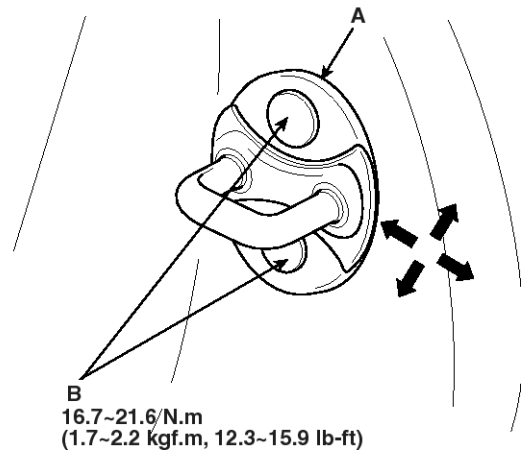
ESBF152A

5. Check for water leaks.

Door Striker Adjustment

Make sure the door latches securely without slamming it. If necessary adjust the striker (A): The striker nuts are fixed. The striker can be fine adjusted up or down, and in or out.

1. Loosen the screws (B), then insert a shop towel between the body and striker.



SHMBD9500N

2. Lightly tighten the screws.
3. Wrap the striker with a shop towel, then adjust the striker by tapping it with a plastic hammer. Do not tap the striker too hard.
4. Loosen the screws and remove the shop towel.
5. Lightly tighten the screws.
6. Hold the outer handle out, and push the door against the body to be sure the striker allows a flush fit. If the door latches properly, tighten the screws and recheck.

Body Side Moldings

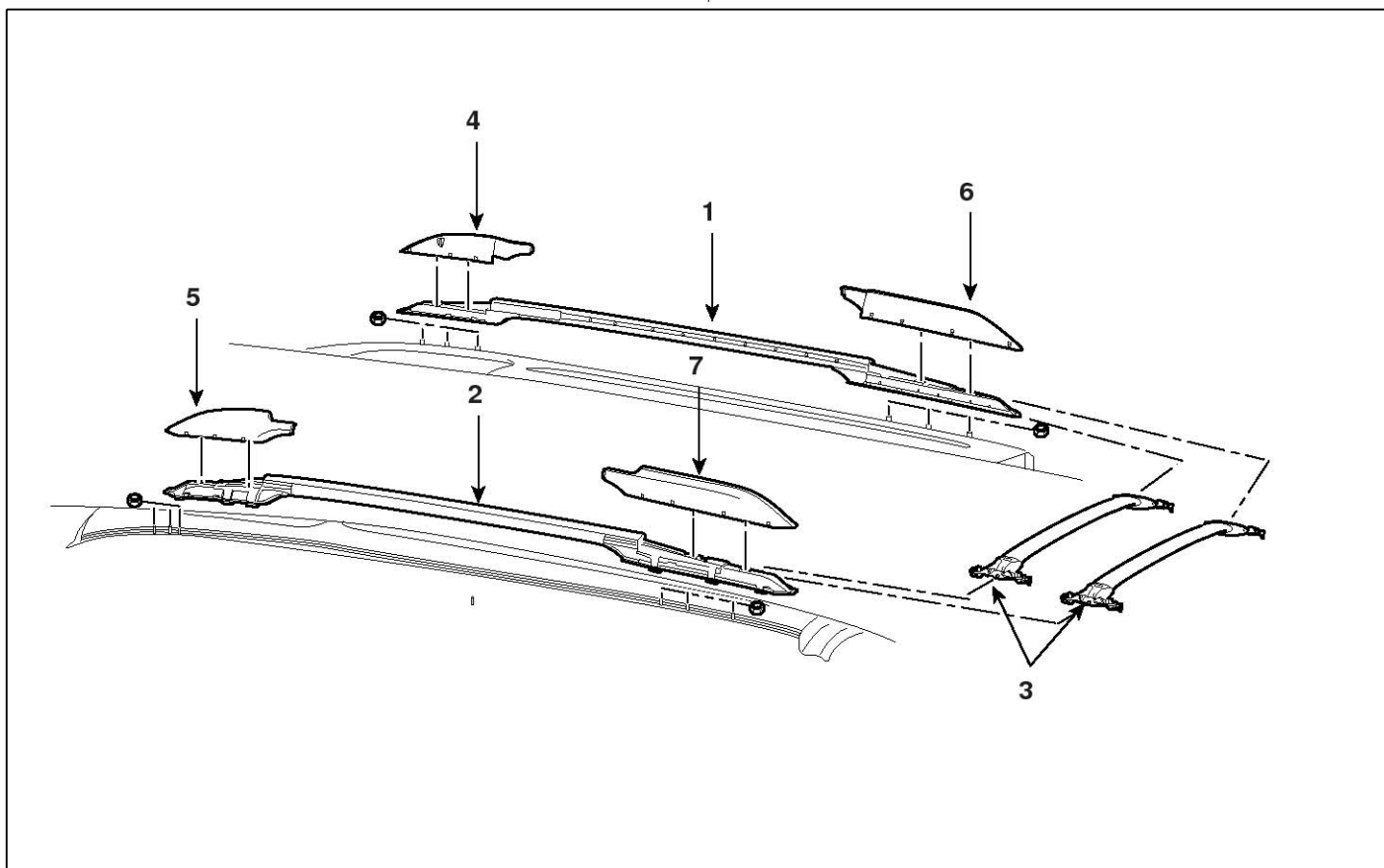
Replacement

Roof Rack Replacement

NOTICE

- When prying with a flat-tip screwdriver, wrap it with protective tape, and apply protective tape around the related parts, to prevent damage.
- Put on gloves to protect your hands.
- Be careful not to scratch the body surface.

1. Remove the roof rack cover (6), (4), (5), (7).
2. Remove the roof rack (1), (2).
3. Installation is the reverse of removal.



SHMBD8249D

1. Roof side rack (LH)
2. Roof side rack (RH)
3. Roof cross bar
4. Roof front cover (LH)

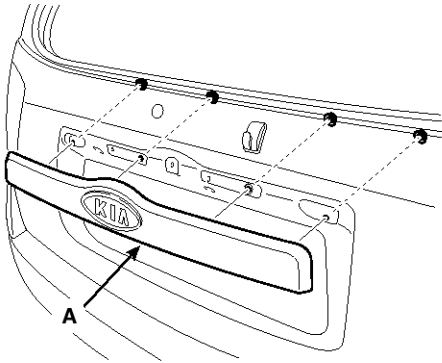
5. Roof front cover (RH)
6. Roof rear cover (LH)
7. Roof rear cover (RH)

BD-38

Body (Interior and Exterior)

Tailgate Garnish Replacement

1. Remove the tailgate trim.
2. Remove the tailgate garnish (A).

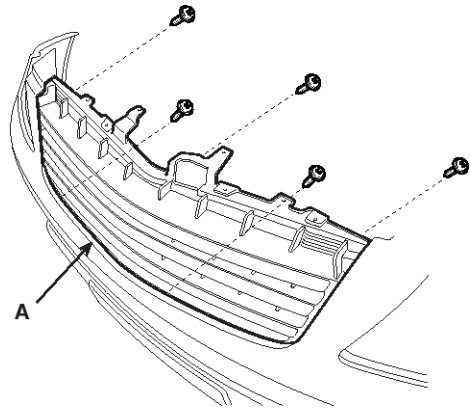


SHMBD8262D

3. Installation is the reverse of removal.

Radiator Grille Replacement

1. Remove the front bumper.
2. Remove the radiator grille (A).

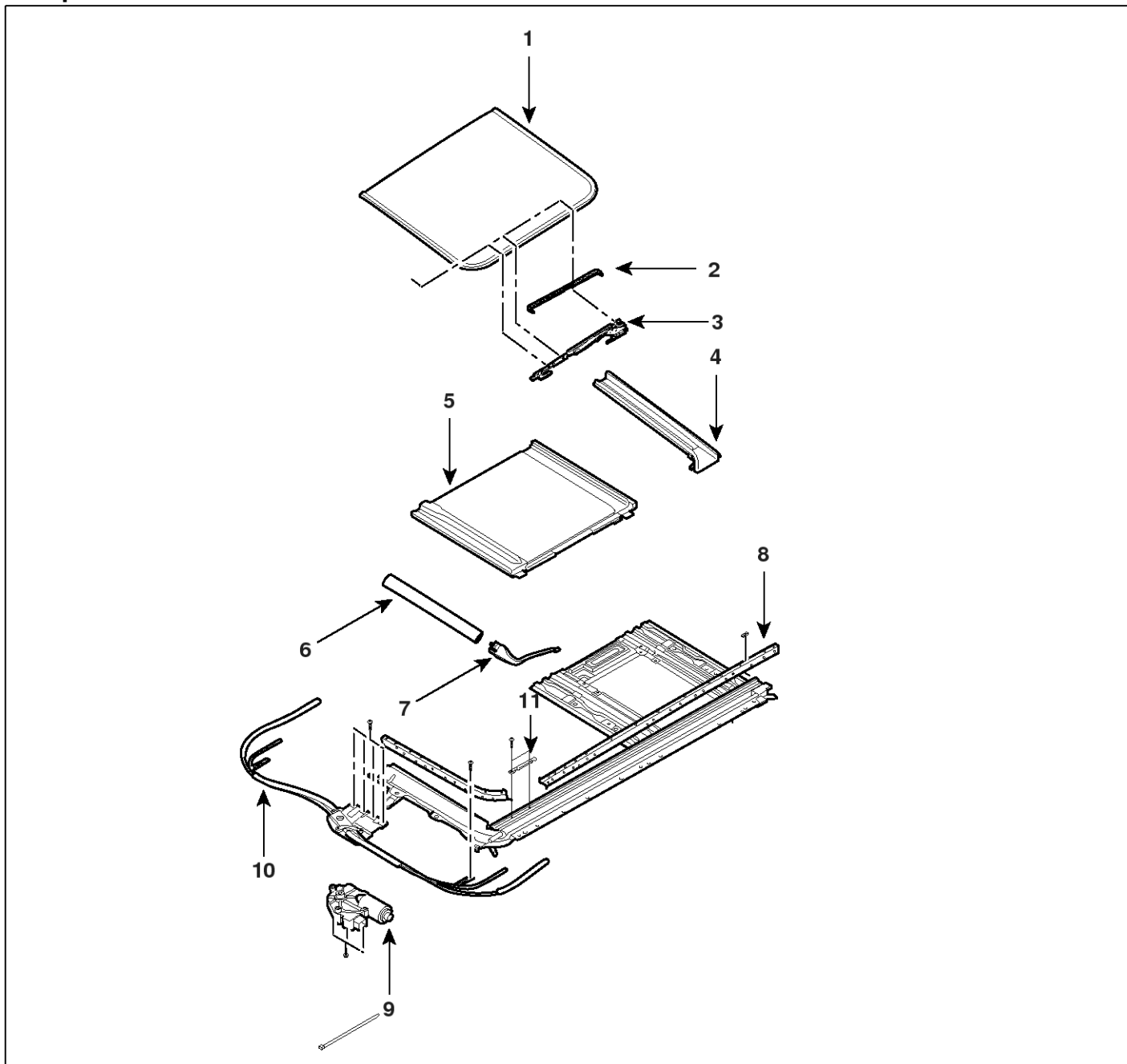


SHMBD8263D

3. Installation is the reverse of removal.

Sunroof

Components



SHMBD8251D

- 1. Glass
- 2. Drip link
- 3. Guide assembly
- 4. Drip rail

- 5. Sunshade
- 6. Defector
- 7. Defector link
- 8. Seal tape

- 9. Motor
- 10. Drive unit
- 11. Set plate
- 10. Set bracket

BD-40

Body (Interior and Exterior)

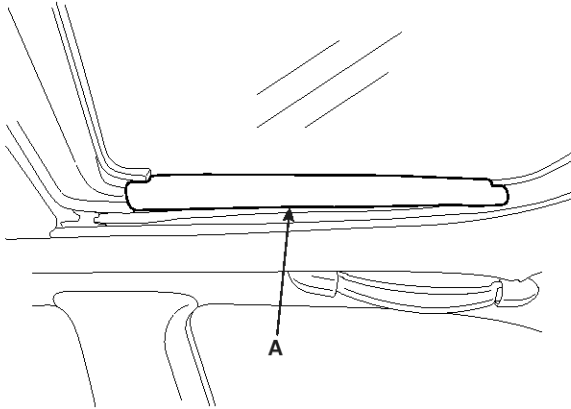
Replacements

Glass Replacement

NOTICE

- Put on glove to protect your hands.

1. Remove both decoration cover (A).

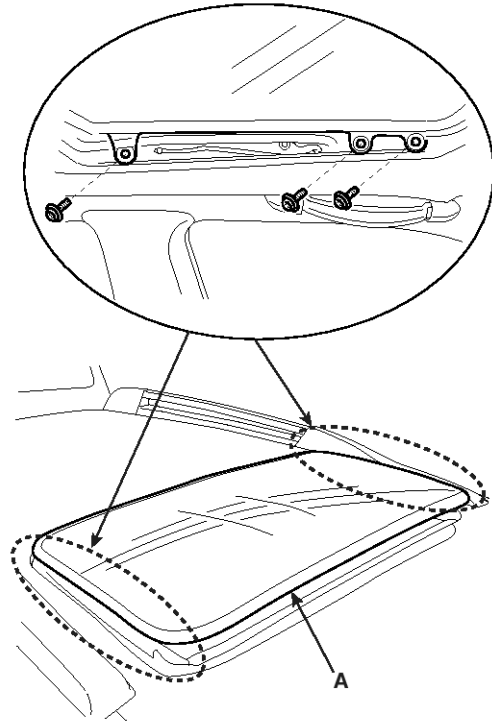


KSBF170E

2. Remove the glass (A) by lifting it up.

NOTICE

- Do not damage the roof panel.



SHMBD8287D

3. Installation is the reverse of removal.

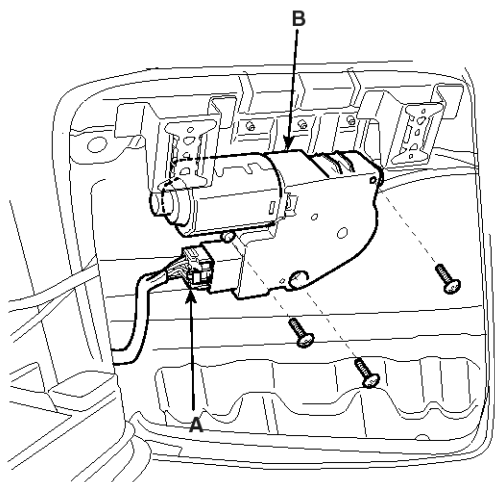
Motor Replacement

1. Remove the over head console.

NOTICE

- Confirm the position of guide whether it is closed or not when you remove the motor.

2. Disconnect the motor connector (A), remove the screws and then remove the motor (B).



SHMBD8288N

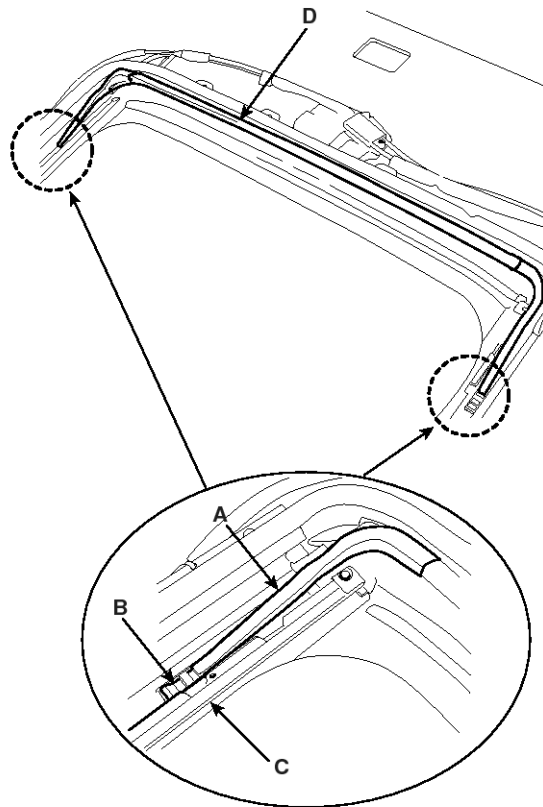
3. Installation is the reverse of removal.

NOTICE

- Make sure to initialize the motor.

Deflector Replacement

1. Open the glass fully.
2. Disconnect the deflector link (A) from the frame (B), and then remove the deflector (C).



KSBF170M

3. Installation is the reverse of removal.

BD-42

Body (Interior and Exterior)

Sunroof Assembly Replacement

1. Remove the following parts :

- Door scuff trim
- Front pillar trim
- Center pillar trim
- Rear pillar trim
- Headlining
- Sunroof glass

2. Disconnect the drain tubes (C).

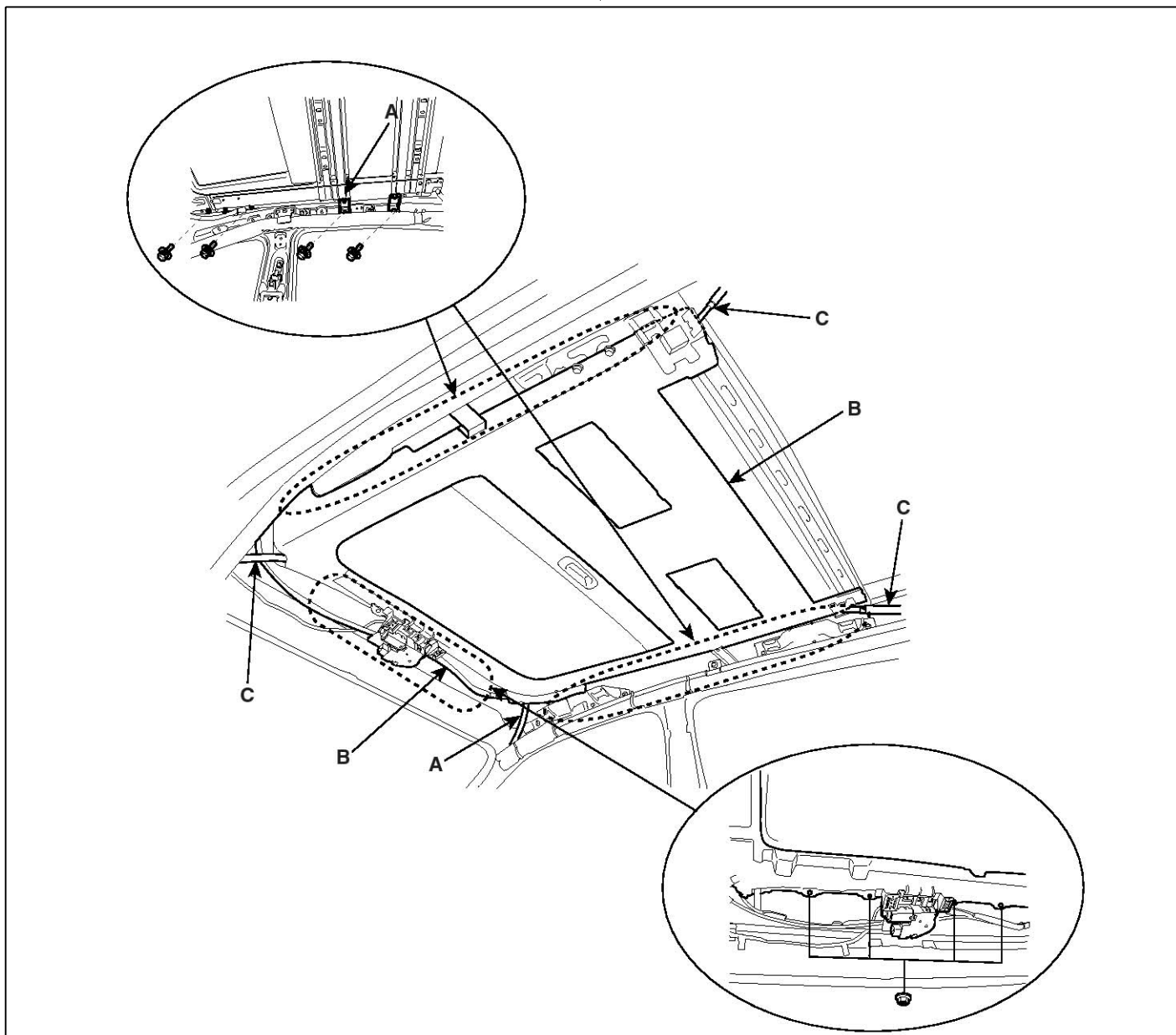
3. Remove the bracket (A).

4. After loosening the mounding bolts and nuts, remove the sunroof assembly (B).

NOTICE

- *Be careful not to scratch the interior trims and other parts.*

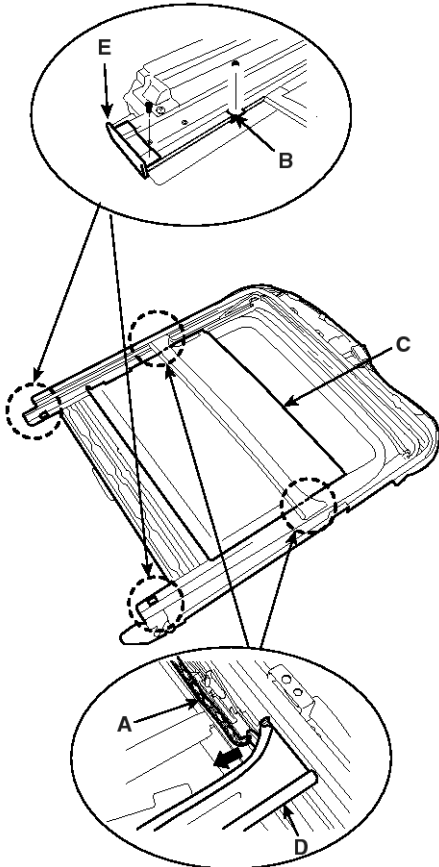
5. Installation is the reverse of removal.



SHMBD8351N

Sunshade And Drip Rail Replacement

1. Remove the sunroof assembly.
2. Remove the cover (E).
3. Remove the drip link (A) and sunshade stopper (B).
4. Remove the sunshade (C) and drip rail (D).

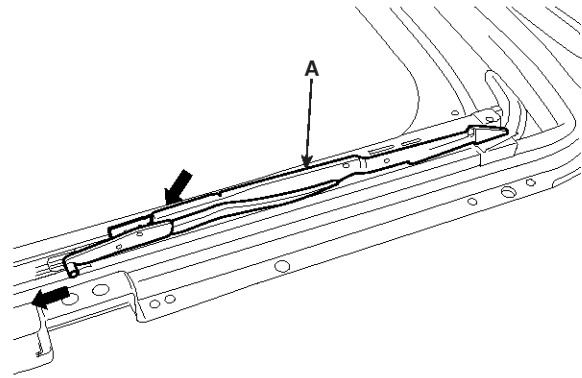


SHMBE8255L

5. Installation is the reverse of removal.

Guide Assembly Replacement

1. Remove the sunroof assembly.
2. Lower and slide the guide assembly (A) to the rear to remove.

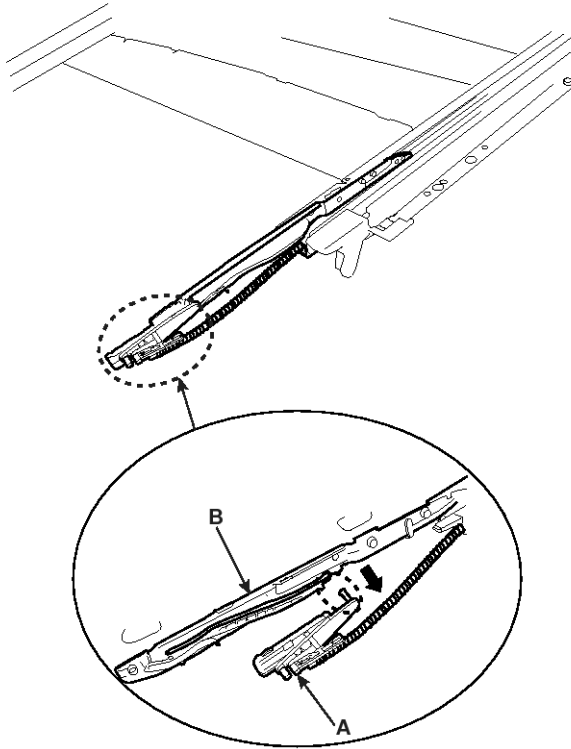


KSBF171E

BD-44

Body (Interior and Exterior)

3. Remove the guide (A) and slide (B).

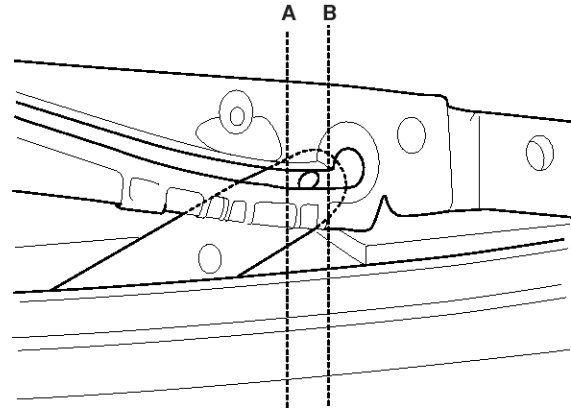


KSBF171H

4. Installation is the reverse of removal.

NOTICE

- Make sure to align the slide with the center of "A" and "B".
- Make sure to initialize the motor.

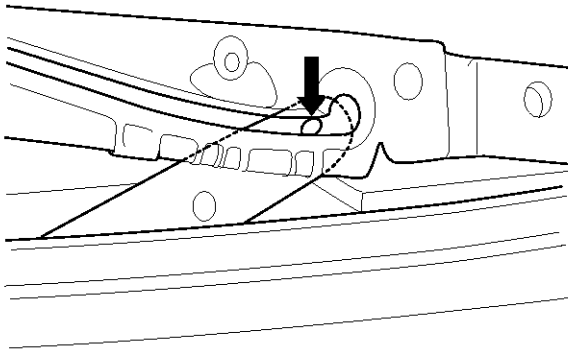


KSBF171I

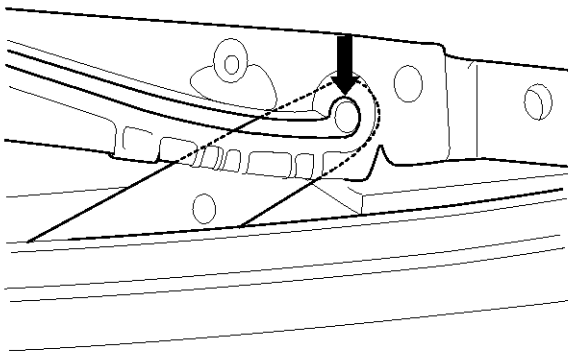
Adjustment

How To Initialize

1. Check that the glass has been installed.
 - Finished height adjustment.
2. Push and hold the up switch.
 - Until the slide moves forward 5.0 mm (after approx 15 seconds), the release the switch.



Before moving the slide



After moving the slide

SBHBD8201L

3. After moving the slide 5mm forward, turn OFF the switch and push the UP switch (Keeping on pushing the switch with continuous operation)
 - If the motor initialization is successful, the sunroof should fully side open and close once.
4. When the sunroof is closed completely, turn OFF the UP switch initialize the motor completely.

When To Initialize The Motor

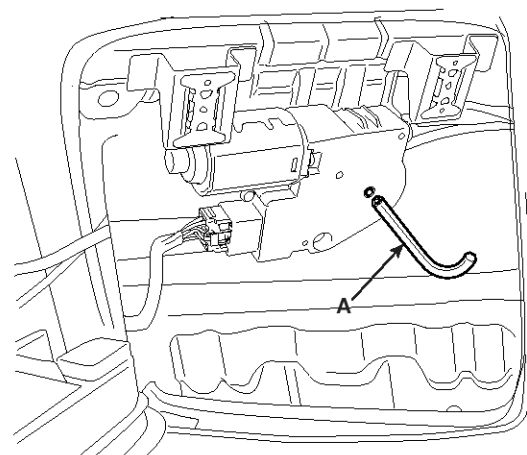
1. After the motor is replaced and disconnected.
2. Initial value is erased or damaged because of short power electric discharge during operation
3. After using the manual handle.

Operating The Sunroof Emergency Handle

1. Use the sunroof emergency handle.
 - To close or open the sunroof manually if the sunroof cannot be closed electronically due to motor or controller electrical malfunction.
2. Operating method
 - Remove the overhead console
 - Push the emergency handle up into the hexagonal drive (A) of the sunroof motor. You must push hard enough to disengage the motor clutch; otherwise the emergency handle will slip due to incomplete fit in the motor.
 - Carefully turn the emergency handle clockwise to close the sunroof.
 - After closing the sunroof, wiggle the handle back and forth as you remove the tool from the motor, to ensure the motor clutch reengages.
 - A 5mm hex socket may be used in place of the emergency handle, with a "Speeder" type handle.

CAUTION

- Do not use power tools to operate the sunroof.
- Damage to the components may occur.



KSBF171N

BD-46

Body (Interior and Exterior)

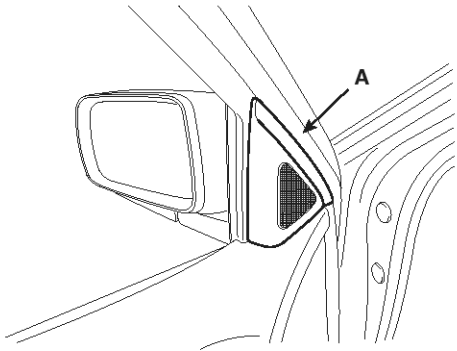
Mirror

Replacement

Outside Rear View Mirror Replacement

NOTICE

- When prying with a flat-up screwdriver, wrap it with protective tape, and apply protective tape around the related parts, to prevent damage.
 - Put on gloves to protect your hands.
1. Remove the door trim inner cover (A).

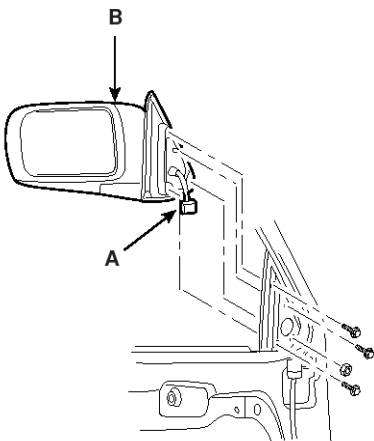


SHMBD8032D

2. After disconnecting the connector (A), remove the outside rear view mirror (B).

Tightening torque :

6.9~10.8N.m(0.7~1.1kgf.m, 5.1~8.0 lb-ft)

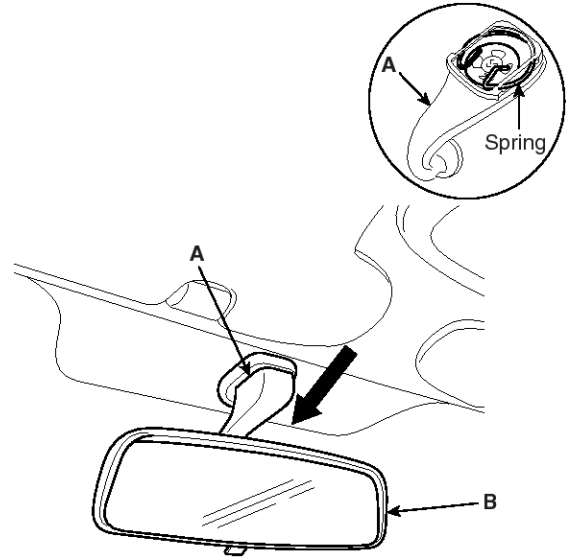


SHMBD8236D

3. Installation is the reverse of removal.

Inside Rear View Mirror Replacement

1. Push the inside rear view mirror base (A) down to remove to inside rear view mirror assembly (B).

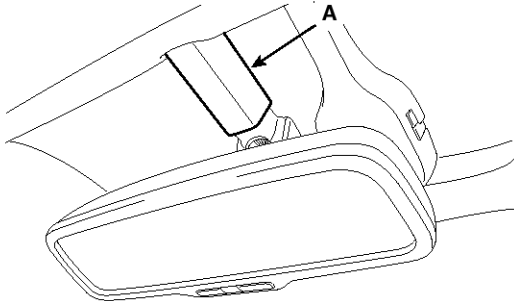


SHMBD9501N

2. Installation is the reverse of removal.

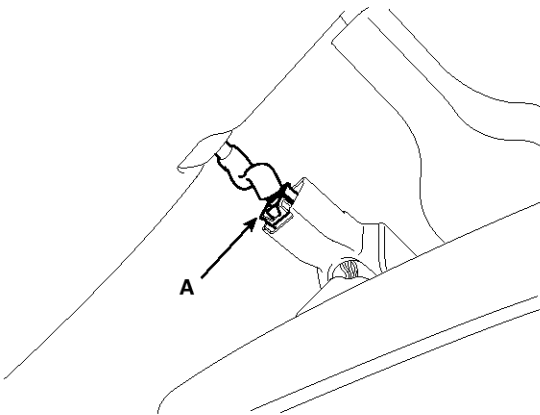
ECM Mirror Replacement

1. Gently detach the hook, remove the ECM mirror cover (A).



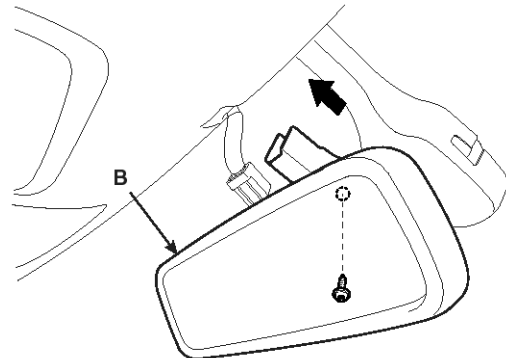
SHMBD8265D

2. Disconnect the connector (A).



SHMBD8266D

3. Push the ECM mirror base down to remove the ECM mirror assembly (B).



SHMBD8267N

4. Installation is the reverse of removal.

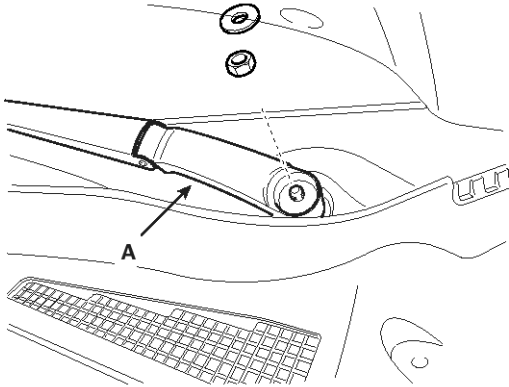
BD-48

Body (Interior and Exterior)

Cowl Top Cover

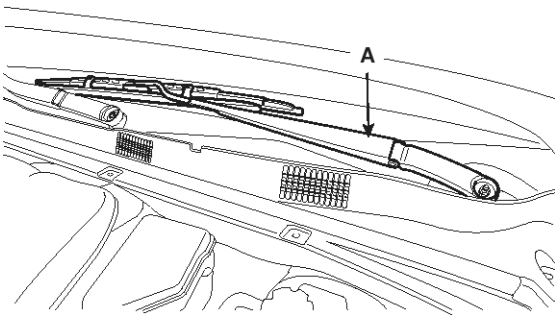
Replacement

1. Remove the wiper arm (A) mounting nut.



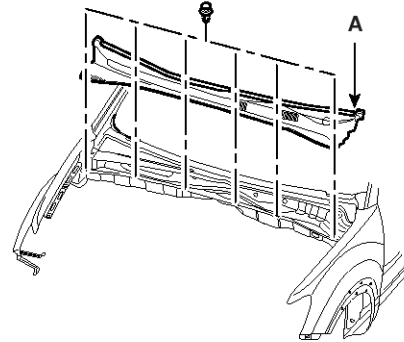
SHMBD9502N

2. Remove the wiper arm (A).



SHMBE8252D

3. Detach the clips, then remove the cowl top cover (A).



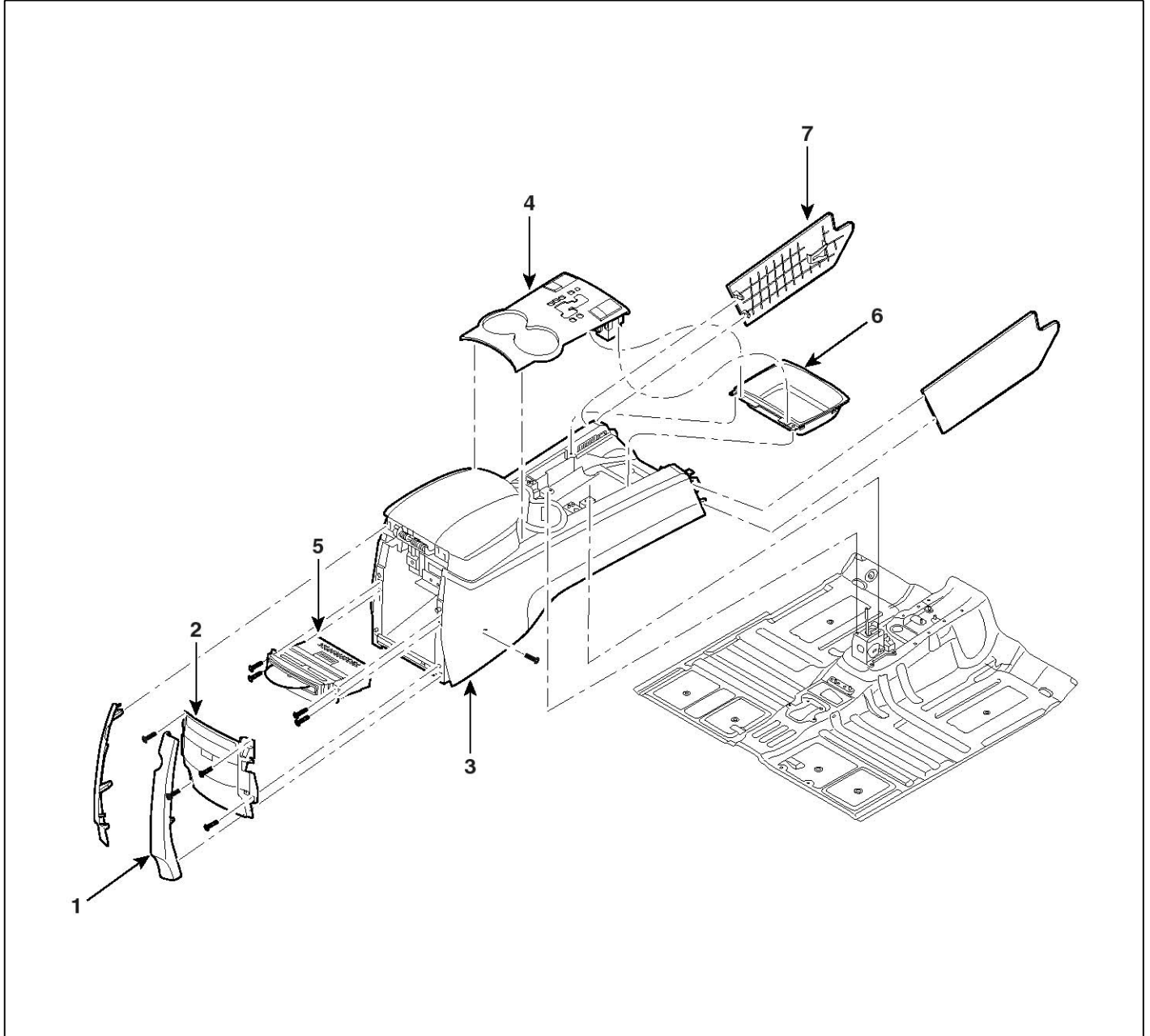
SHMBD8237D

4. Installation is the reverse of removal.

Interior

Console

Components



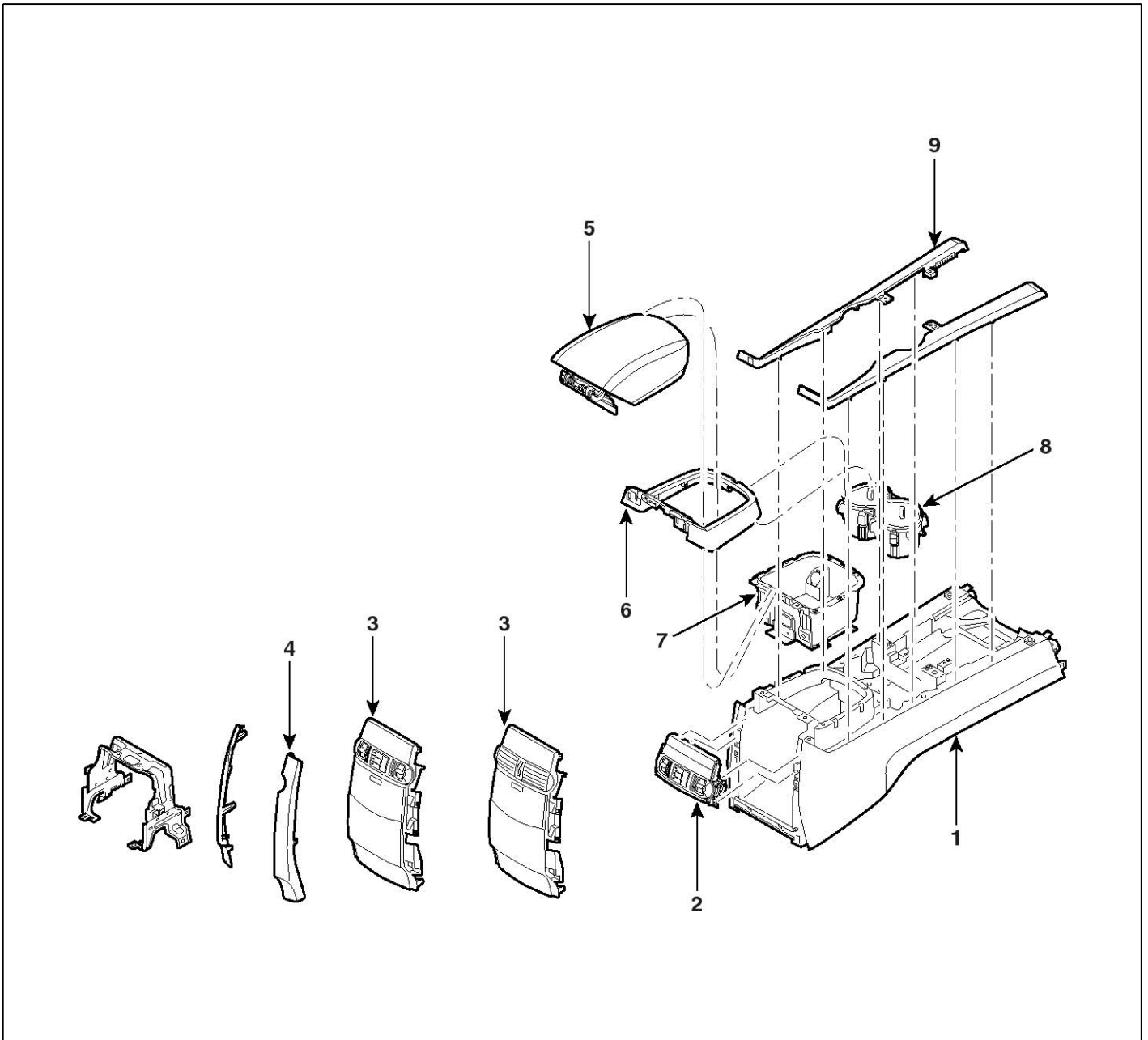
SHMBD8240D

- 1. Console rear side panel
- 2. Console rear cover
- 3. Console
- 4. Console indicator

- 5. DVD Player
- 6. Console tray
- 7. Console side cover

BD-50

Body (Interior and Exterior)



SHMBD8241D

- 1. Console
- 2. Heater control unit
- 3. Console rear cover

- 4. Console rear side cover
- 5. Armrest
- 6. Storage box cover

- 7. Storage box
- 8. Cup holder
- 9. Console under cover.

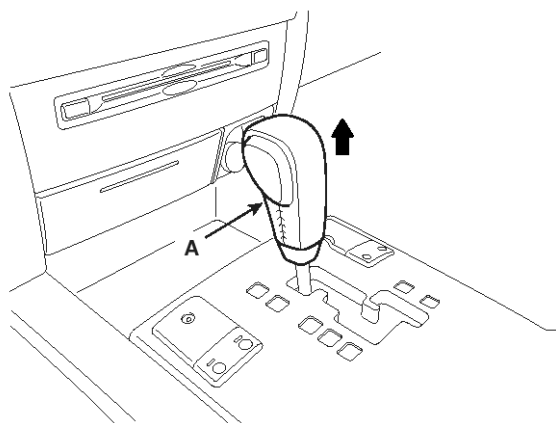
Replacement

Floor Console Replacement

NOTICE

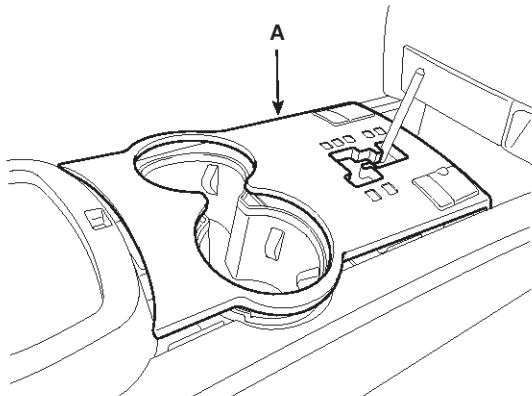
- When prying with a flat-up screwdriver, with protective tape, and apply protective tape around the related parts, to prevent damage.
- Put on gloves to protect your hands.

1. Remove the knob (A).



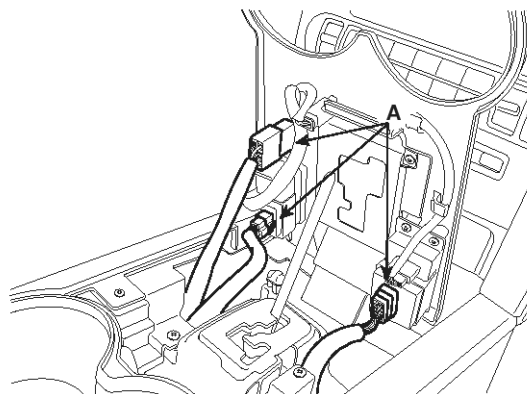
SHMBD8060D

2. Remove the indicator cover (A).



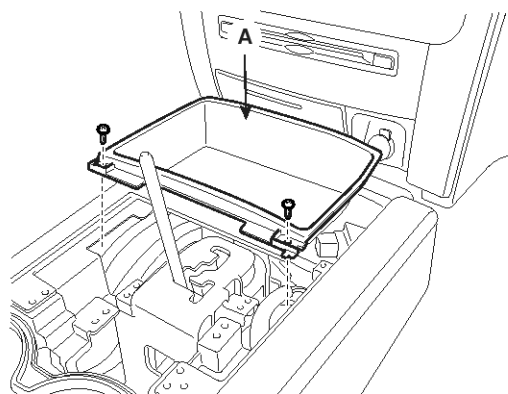
SHMBD8061D

3. Disconnect the connectors (A).



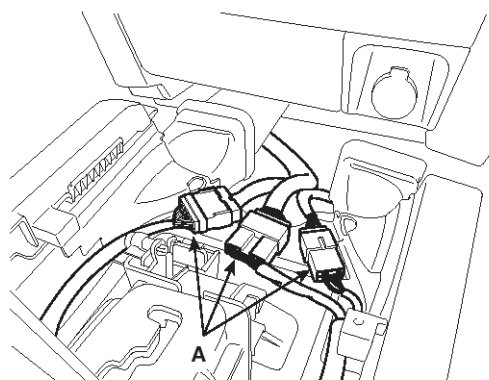
SHMBD8062D

4. After loosening the console mounting screws, remove the console tray (A).



SHMBD8063D

5. Disconnect the connectors (A).

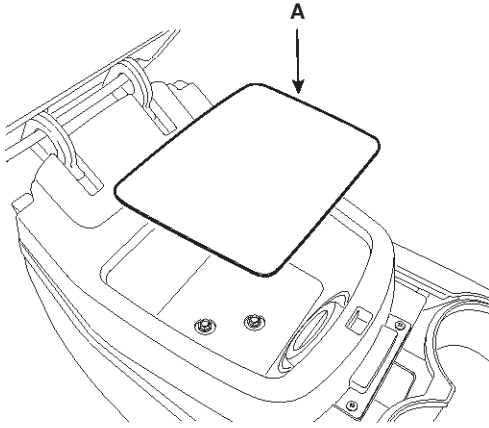


SHMBD8064D

BD-52

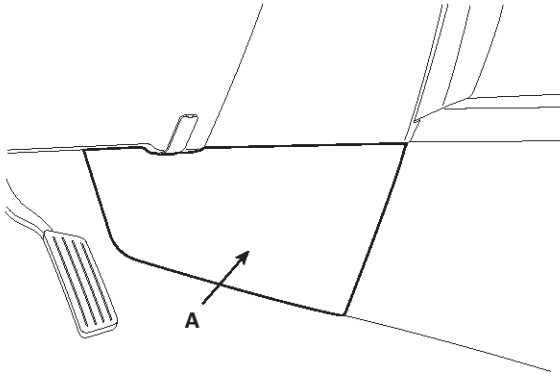
Body (Interior and Exterior)

6. Remove the cool box pad (A).



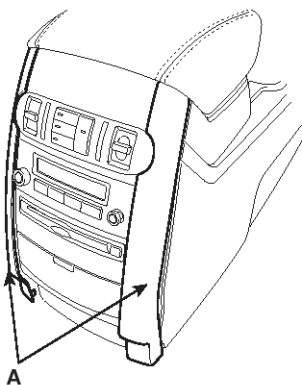
SHMBD8065D

7. Remove the console side cover (A).



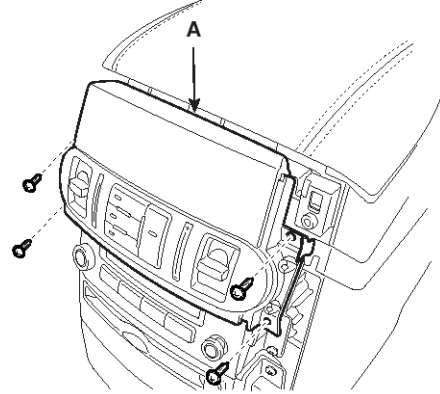
SHMBD8066D

8. Remove the console side cover (A).



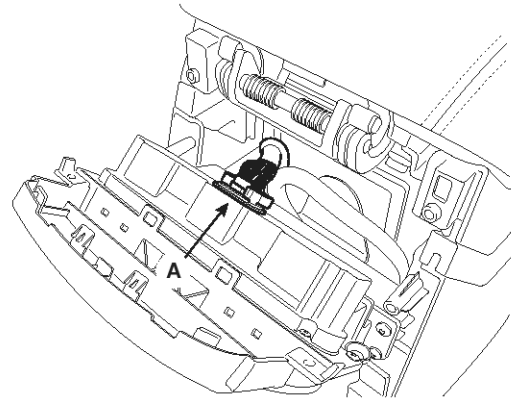
SHMBD8067D

9. After loosening the mounting screws, remove the heater console (A).



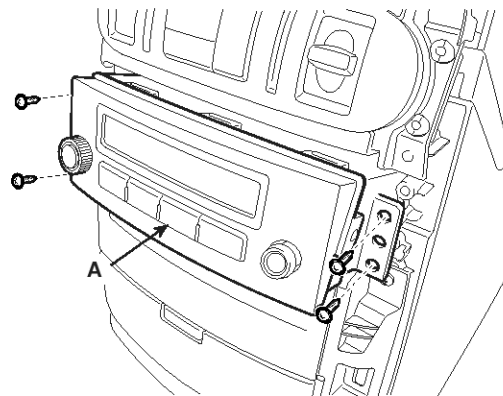
SHMBD8068D

10. Disconnect the connector (A).



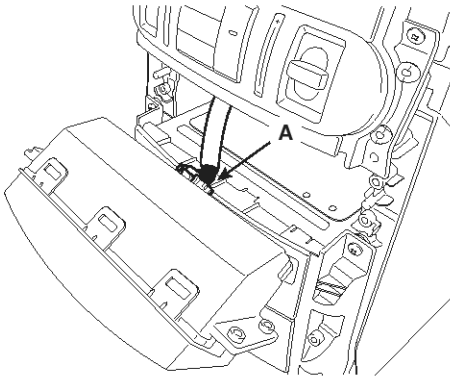
SHMBD8069D

11. After loosening the console mounting screws, remove the audio control unit (A).



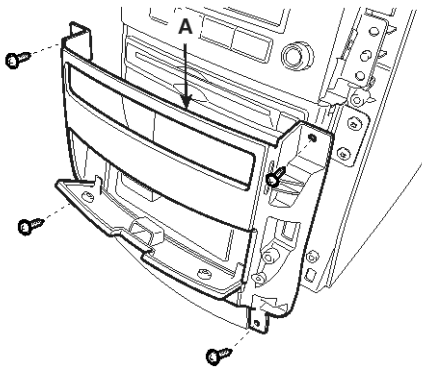
SHMBD8070D

12. Disconnect the connector (A).



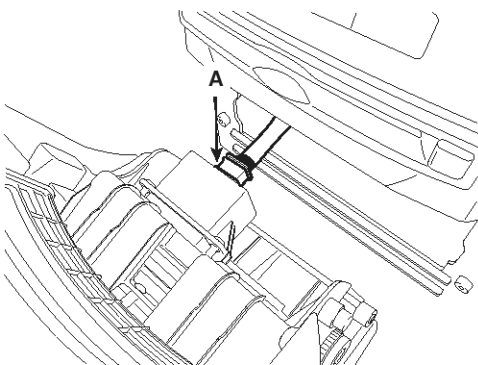
SHMBD8071D

13. After loosening the mounting screws, remove the console rear cover (A).



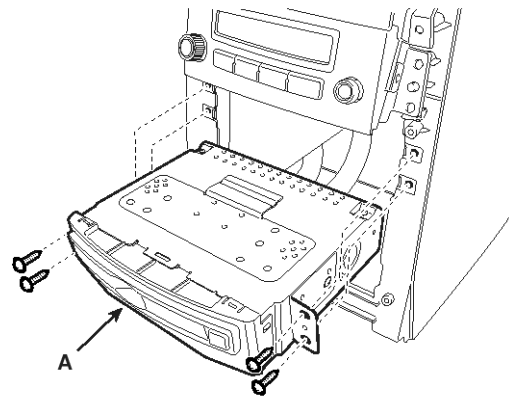
SHMBD8072D

14. Disconnect the connector (A).



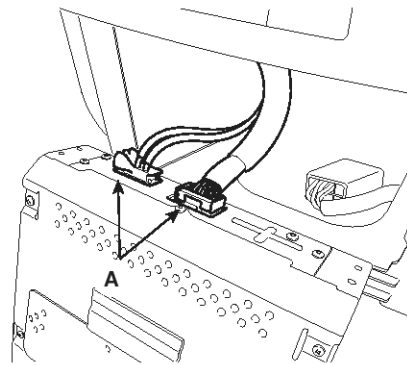
SHMBD8073D

15. After loosening the mounting screws, remove the DVD (A).



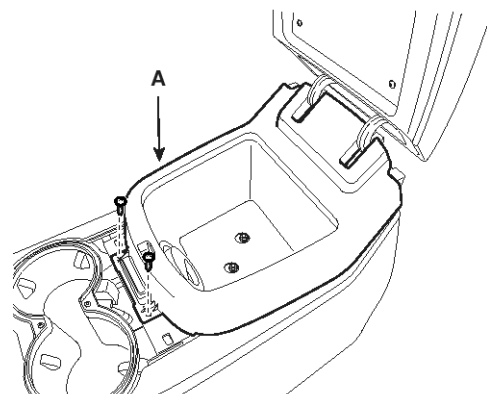
SHMBD8074D

16. Disconnect the connectors (A).



SHMBD8075D

17. Remove the cool box cover (A).

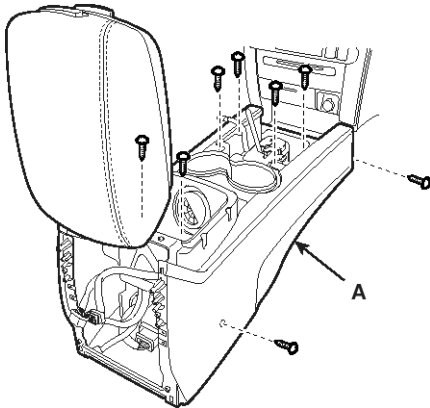


SHMBD8078D

BD-54

Body (Interior and Exterior)

18. After loosening the console mounting screws, remove the floor console assembly (A).



SHMBD8077D

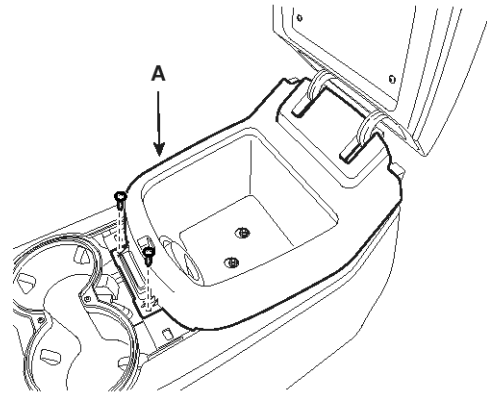
19. Installation is the reverse of removal.

NOTICE

- Make sure the connector are connected in properly.
- Replace any damaged clips.

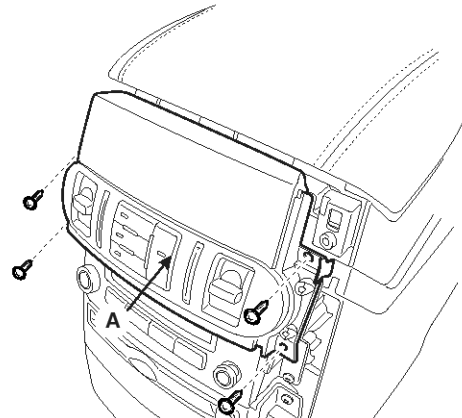
Armrest Replacement

1. After loosening the mounting screws, remove the cool box cover (A).



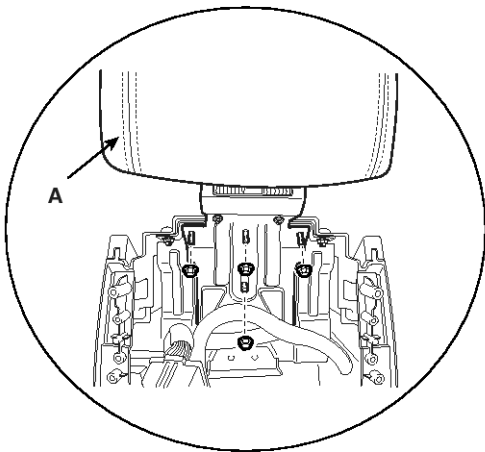
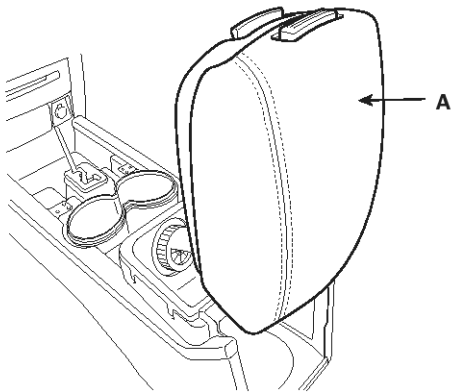
SHMBD8078D

2. After loosening the mounting screws, remove the heater console (A).



SHMBD8079D

3. After loosening the mounting nuts, remove the armrest (A).



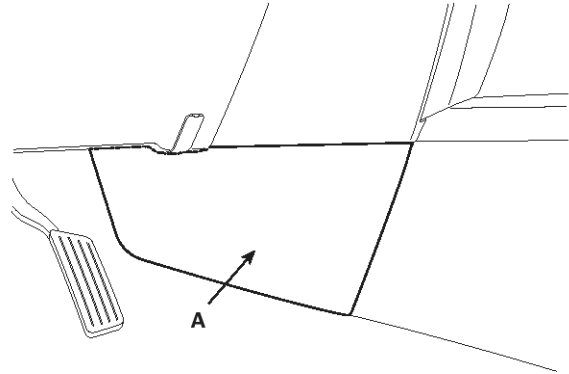
SHMBD8081D

4. Installation is the reverse of removal.

Console Extender Cover

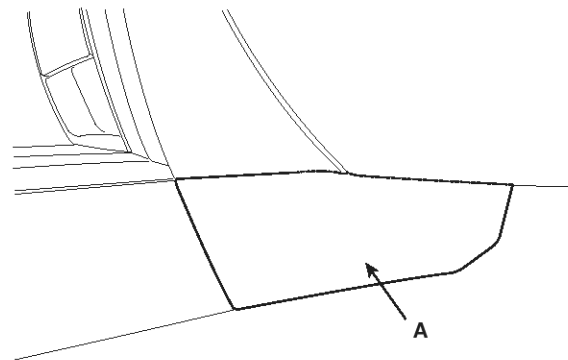
1. Remove the cover (A).

Driver`s



SHMBD8289D

Passenger`s



SHMBD8082D

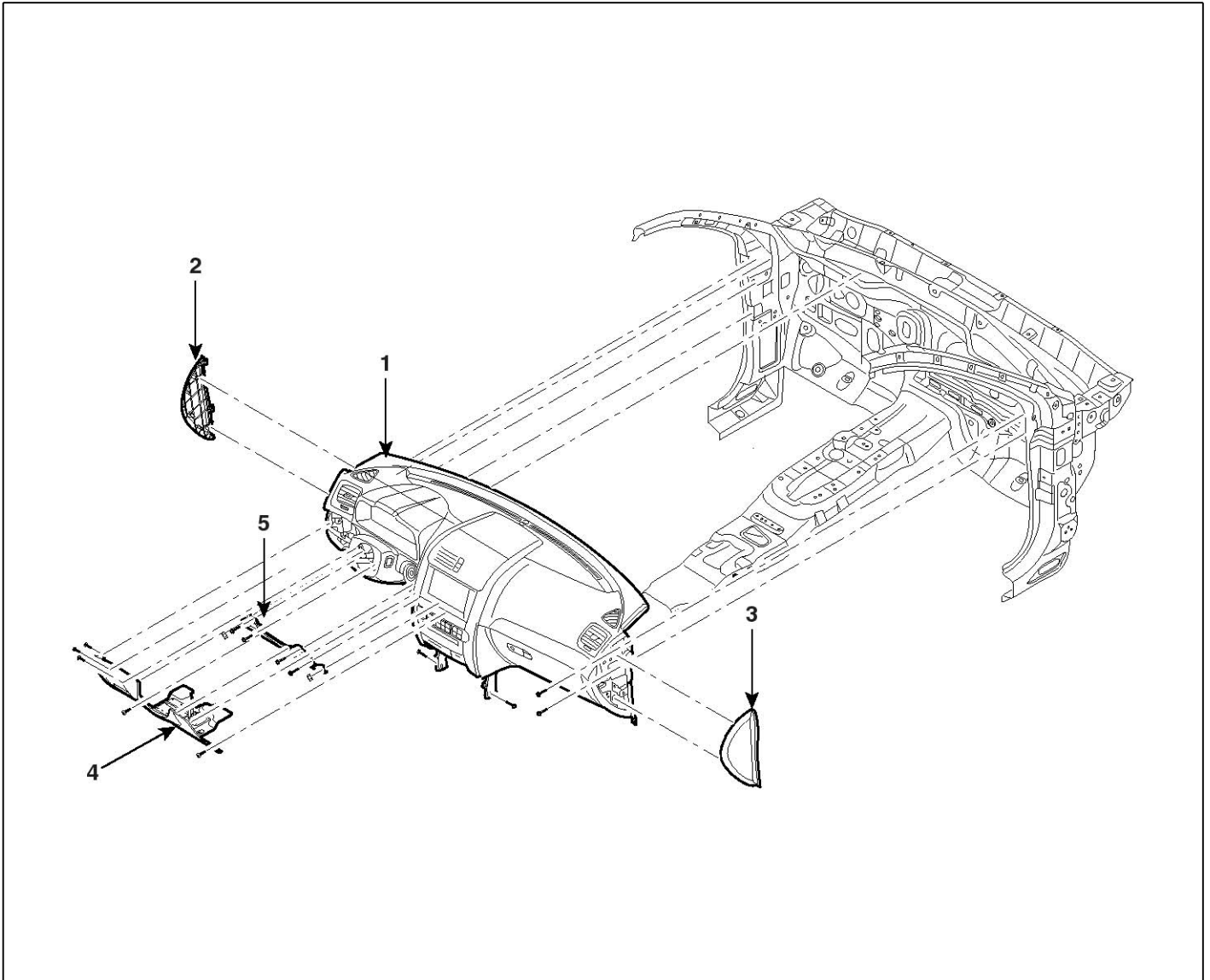
2. Installation is the reverse of removal.

BD-56

Body (Interior and Exterior)

Crash Pad

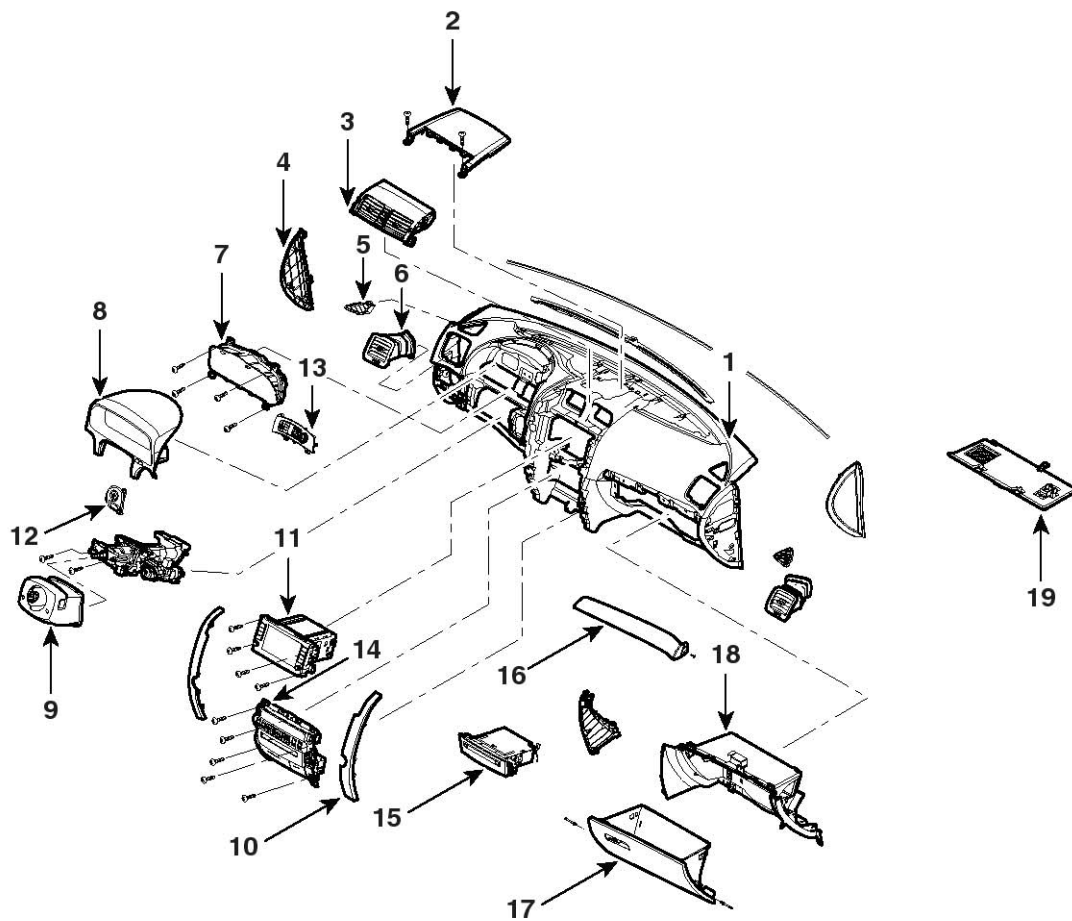
Components



SHMBD8242N

- 1. Main crash pad
- 2. Crash pad side cover
- 3. Crash pad side cover

- 4. Crash pad lower panel
- 5. Reinforcing panel



SHMBD8243N

- | | | | |
|-------------------------|------------------------------|----------------------------|---------------------------|
| 1. Crash pad | 7. Cluster | 13. Switch assembly | 19. Glove box lower panel |
| 2. Speaker gill | 8. Cluster fascia panel | 14. Center fascia | |
| 3. Center air vent | 9. Shroud | 15. DVD player | |
| 4. Crash pad side cover | 10. Center fascia side cover | 16. Crash pad side garnish | |
| 5. Crash pad side cover | 11. Audio | 17. Glove box | |
| 6. Side air vent | 12. Key switch | 18. Glove box housing | |

BD-58

Body (Interior and Exterior)

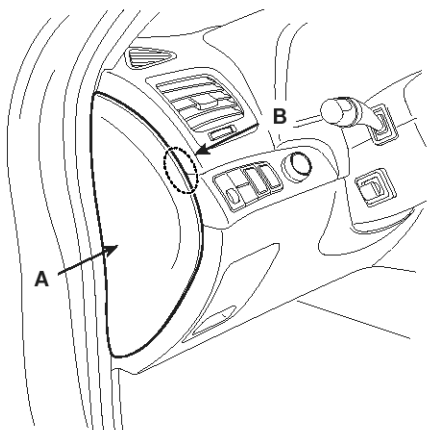
Replacement

Cluster Fascia Replacement

NOTICE

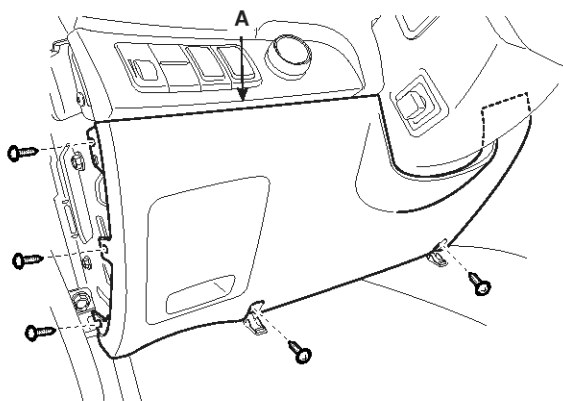
- When prying with a flat-up screwdriver, wrap it with protective tape, and apply protective tape around the related parts, to prevent damage.
- Put on gloves to protect your hands.

1. Using a hole (B), remove the crash pad side cover (A).



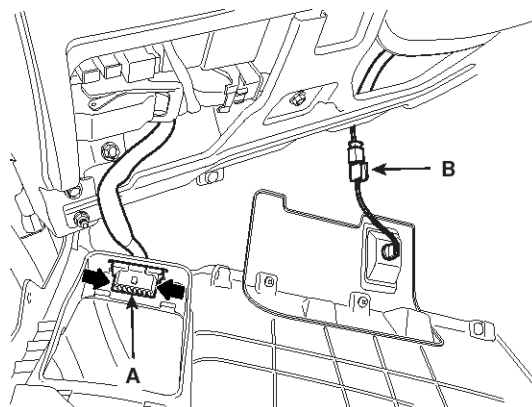
SHMBD8083D

2. After loosening the mounting screws, remove the lower panel (A).



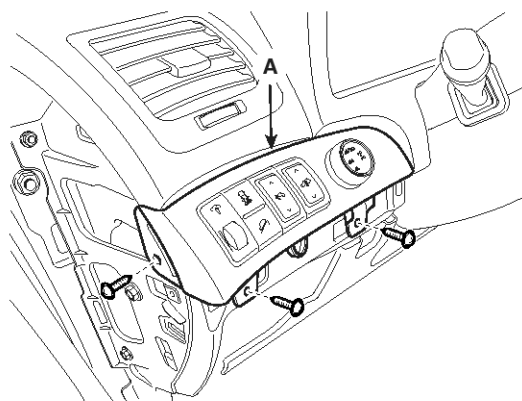
SHMBD8084D

3. Disconnect the connector (A) and (B).



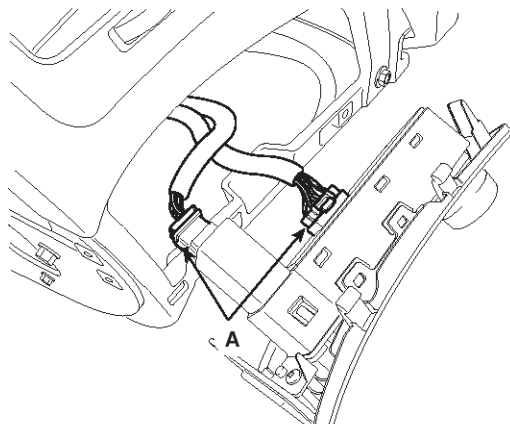
SHMBD8085D

4. After loosening the mounting screws, remove the switch assembly (A).



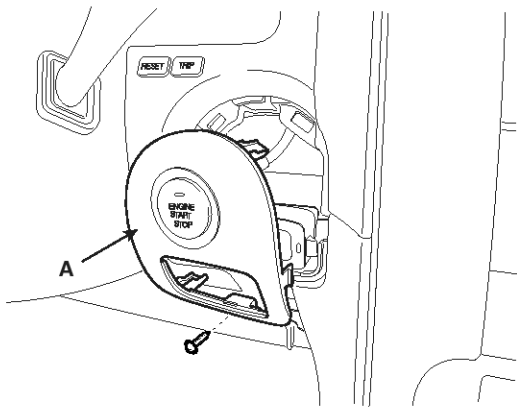
SHMBD8086D

5. Disconnect the connectors (A).



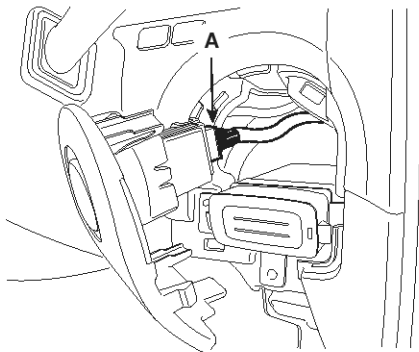
SHMBD8087D

6. Remove the cover (A).



SHMBD8088D

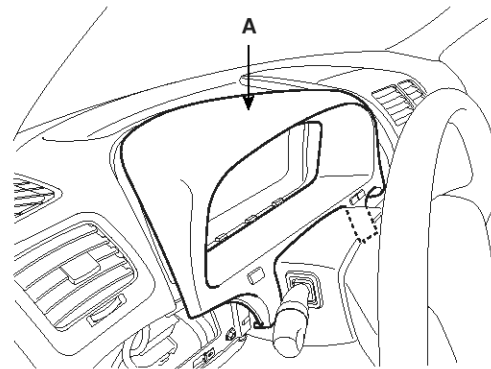
7. Disconnect the connector (A).



SHMBD8089D

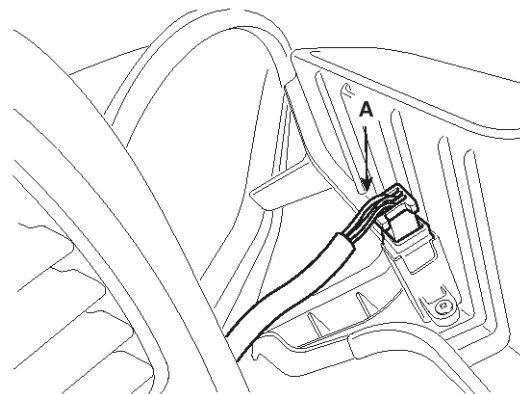
8. Tilt the steering column down.

9. Remove the cluster fascia panel (A).



SHMBD8090D

10. Disconnect the trip sensor connector (A),

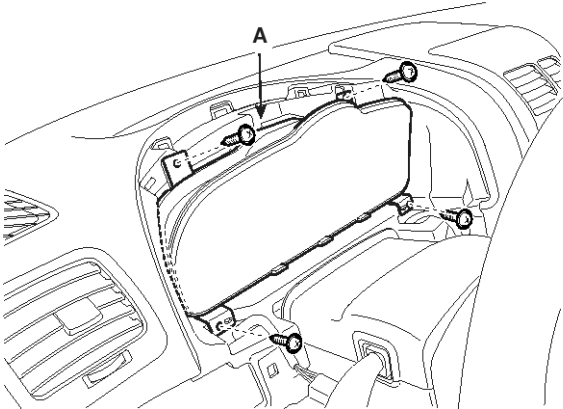


SHMBD8091D

BD-60

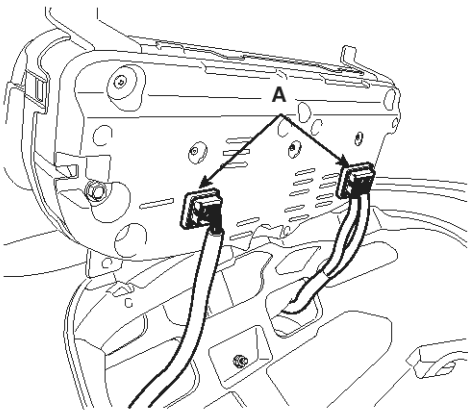
Body (Interior and Exterior)

11. After loosening the mounting screws, remove the cluster fascia (A).



SHMBD8093D

12. Disconnect the connectors (A).



SHMBD8094D

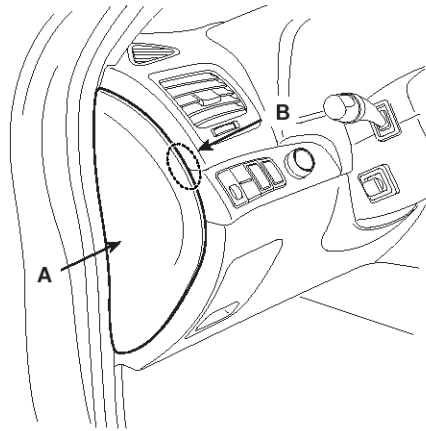
13. Installation is the reverse the removal.

NOTICE

- Make sure the connector are connected in properly.

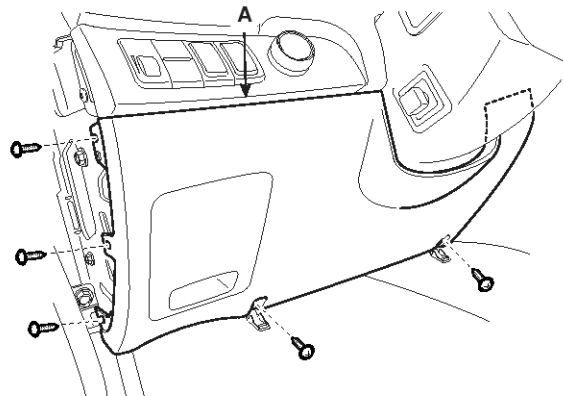
Lower Panel Replacement

1. Using a hole (B), remove the crash pad side cover (A).



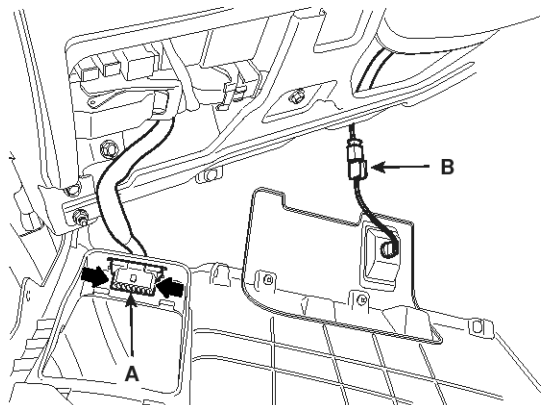
SHMBD8083D

2. After loosening the crash pad lower panel mounting screws, remove the lower panel (A).



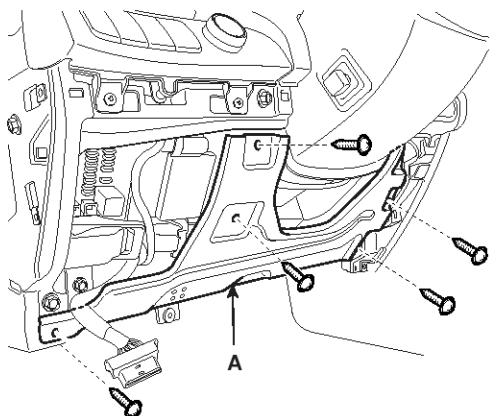
SHMBD8084D

3. Disconnect the connector (A) and (B).



SHMBD8085D

4. After loosening the mounting bolts, remove the reinforcing panel (A).

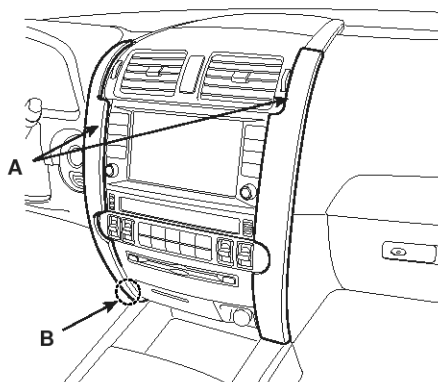


SHMBD8095D

5. Installation is the reverse of removal.

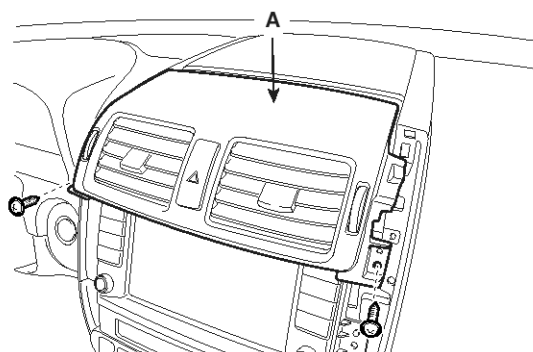
Heater Control Unit Replacement

1. Using a hole (B), remove the center fascia garnish (A).



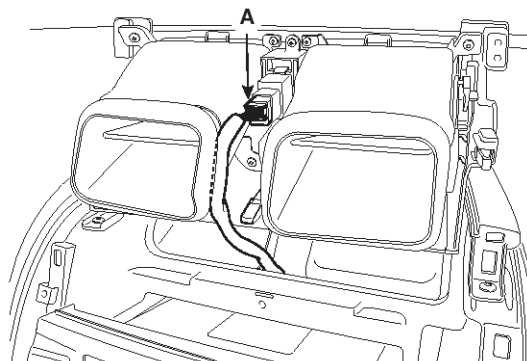
SHMBD8096D

2. Remove the center air vent (A).



SHMBD8097D

3. Disconnect the connector (A).

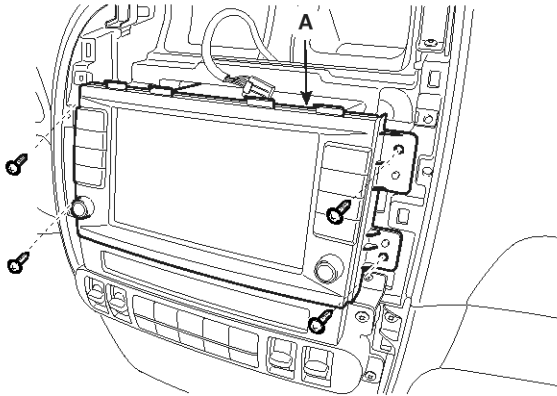


SHMBD8098D

BD-62

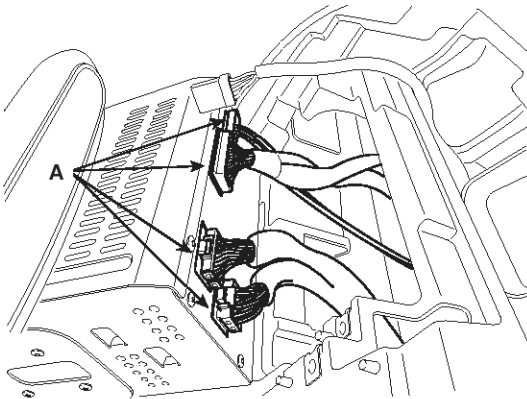
Body (Interior and Exterior)

4. After loosening the audio assembly mounting screws, then remove the audio assembly (A).



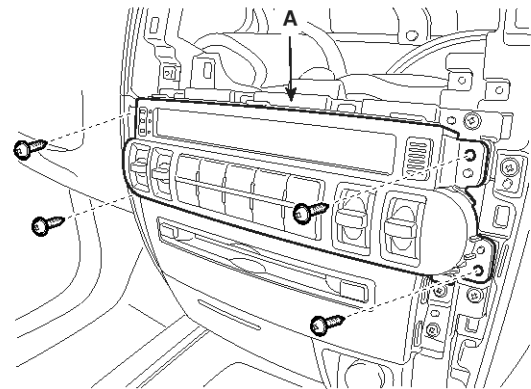
SHMBD8099D

5. Disconnect the connectors (A).



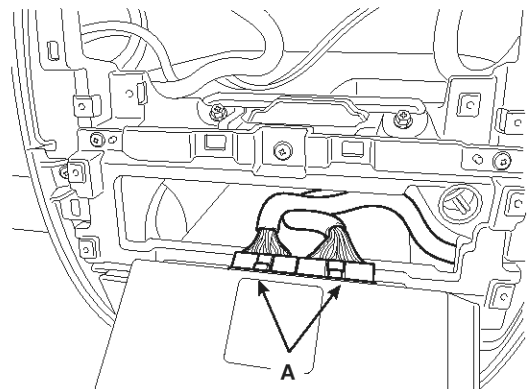
SHMBD8100D

6. After loosening the heater control mounting screws, remove the heater control unit (A).



SHMBD8101D

7. Disconnect the connectors (A).



SHMBD8102D

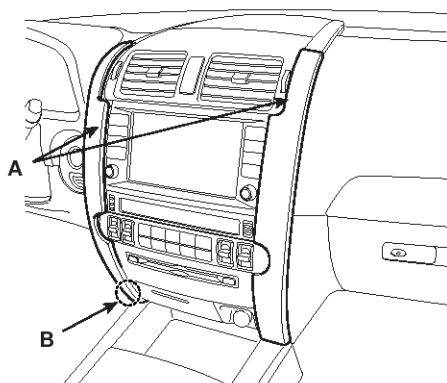
8. Installation is the reverse of removal.

NOTICE

- Make sure the connector are connected in properly.

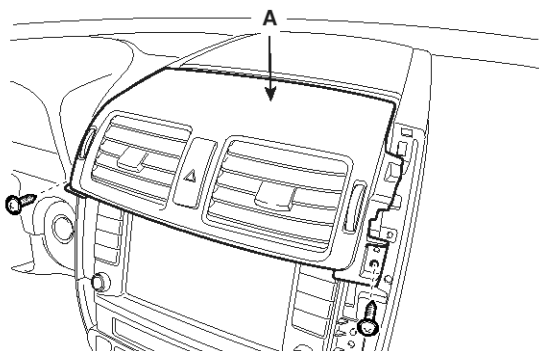
Audio Assembly Replacement

1. Remove the center fascia garnish (A).



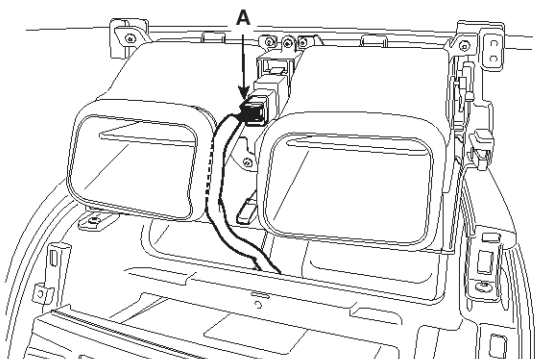
SHMBD8096D

2. Remove the center air vent (A).



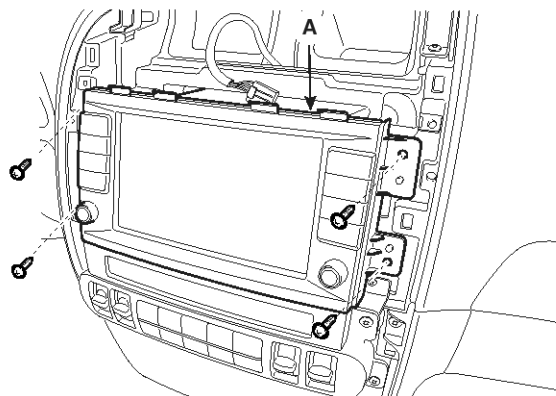
SHMBD8097D

3. Disconnect the connector (A).



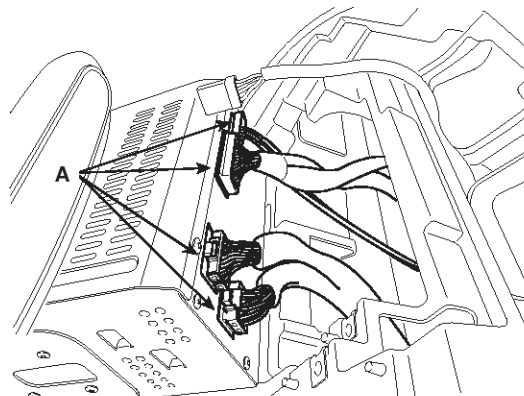
SHMBD8098D

4. After loosening the audio assembly mounting screws, then remove the audio assembly (A).



SHMBD8099D

5. Disconnect the connectors (A).



SHMBD8100D

6. Installation is the reverse of removal.

NOTICE

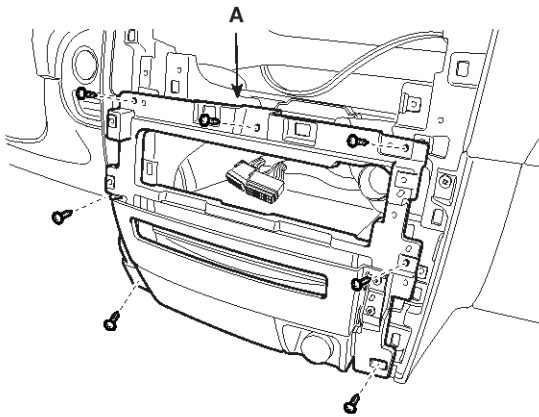
- Make sure the connector are connected in properly.

BD-64

Body (Interior and Exterior)

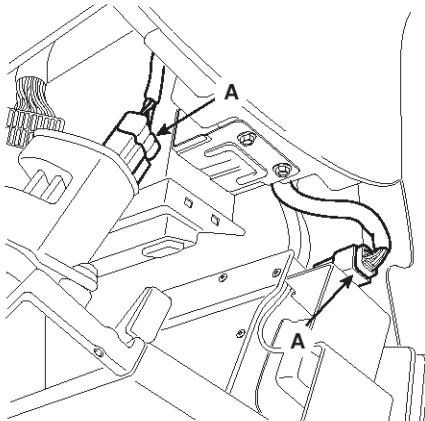
DVD Replacement

1. After loosening the mounting screws, then remove the cover (A),



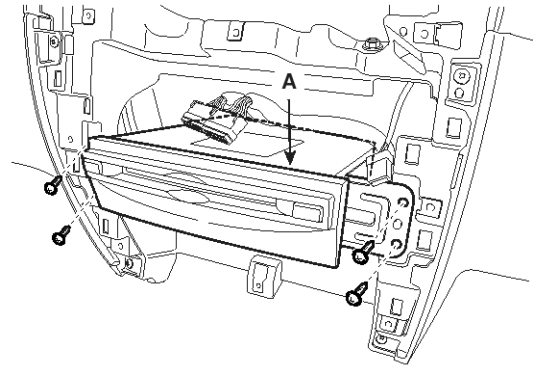
SHMBD8103D

2. Disconnect the connectors (A).



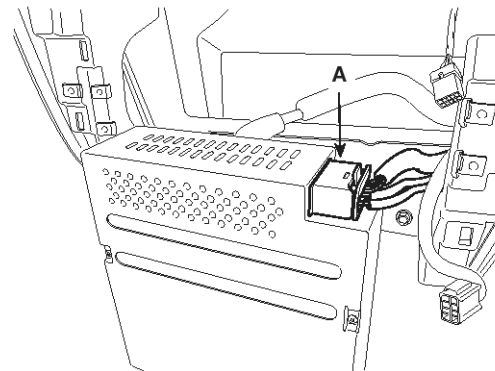
SHMBD8104D

3. After loosening the mounting screws, then remove the DVD (A).



SHMBD8105D

4. Disconnect the connector (A).

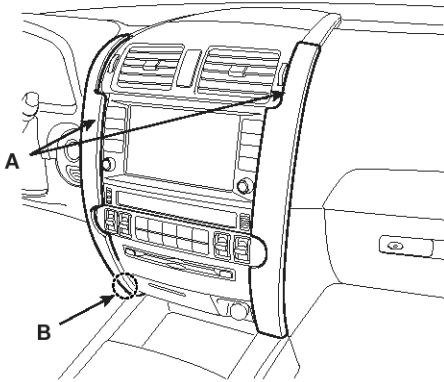


SHMBD8106D

5. Installation is the reverse of removal.

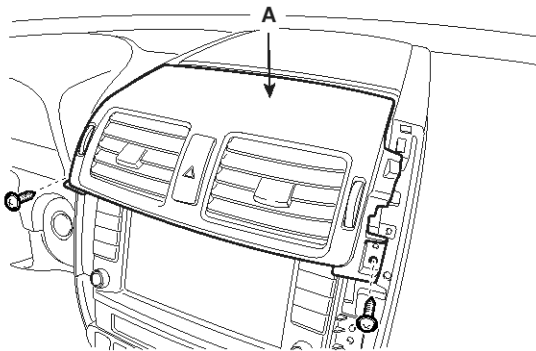
Center Speaker Replacement

1. Using a hole (B), remove the center fascia garnish (A).



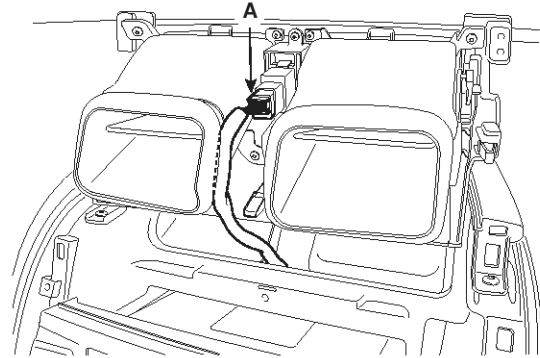
SHMBD8096D

2. Remove the center air vent (A).



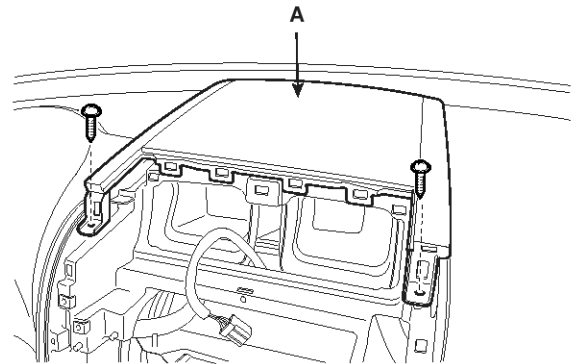
SHMBD8097D

3. Disconnect the connector (A).



SHMBD8098D

4. After loosening the mounting screws, remove the grill (A).

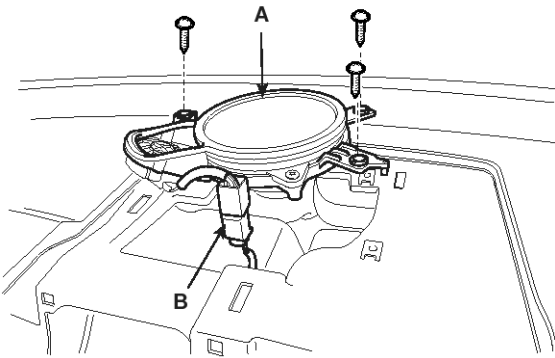


SHMBD8108D

BD-66

Body (Interior and Exterior)

5. After loosening the mounting screws, remove the speaker (A).

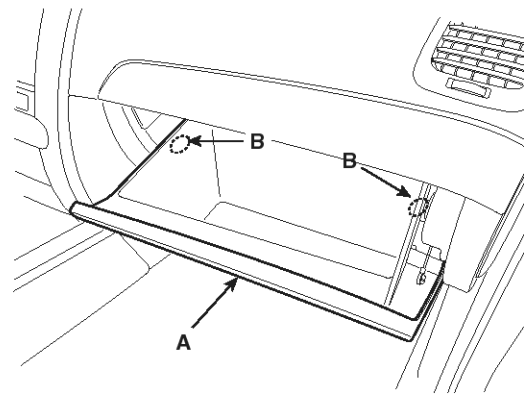
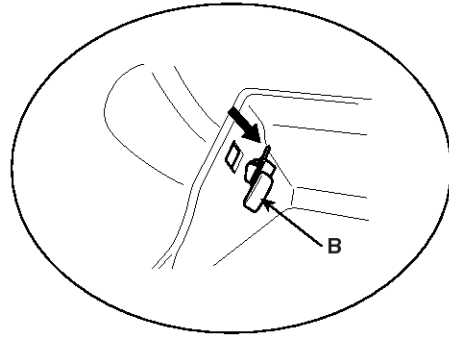


SHMBD8109D

6. Installation is the reverse of removal.

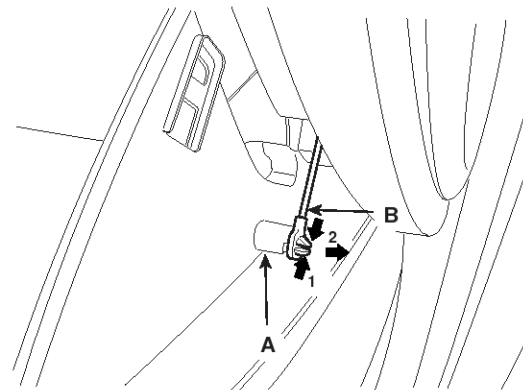
Glove Box Replacement

1. Disconnect the damper (B) from the glove box (A).



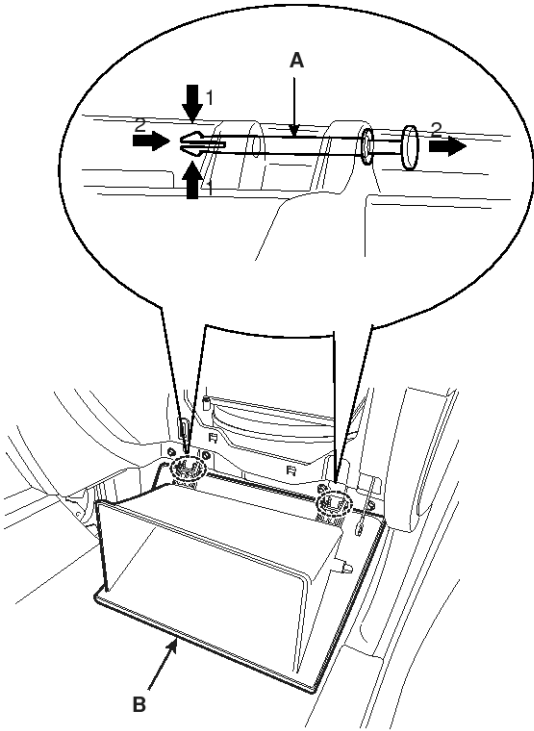
SHMBD8110N

2. Remove the glove box (A) from the lift (B).



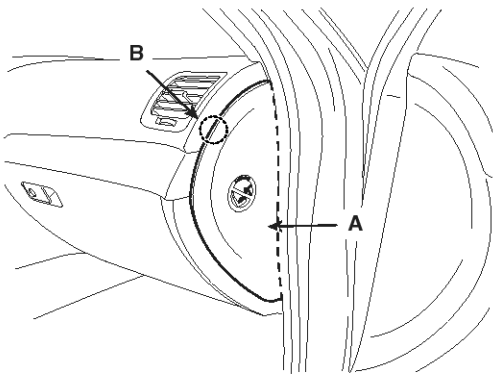
SHMBD8111D

3. Disconnect the pine (A), then remove the glove ox (B).



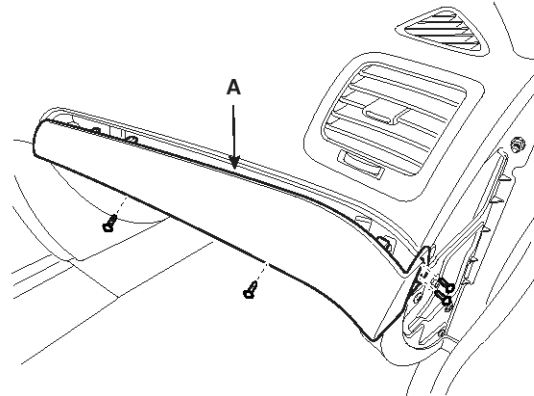
SHMBD8112D

4. Using a hole (B), remove the crash pad side cover (A).



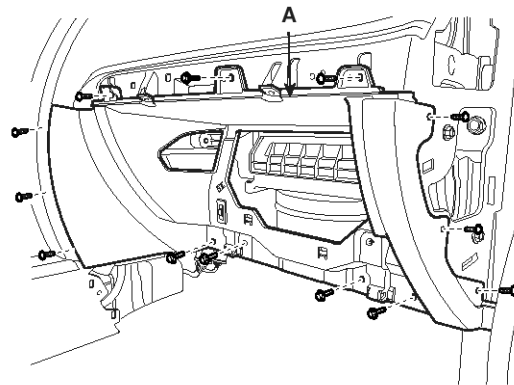
SHMBD8113D

5. After loosening the mounting screws, remove the crash pad side garnish (A).



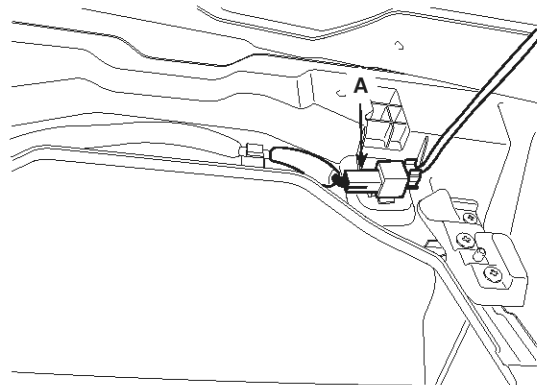
SHMBD8114D

6. After loosening the mounting screws, remove the glove box housing (A).



SHMBD8115D

7. Disconnect the connector (A).

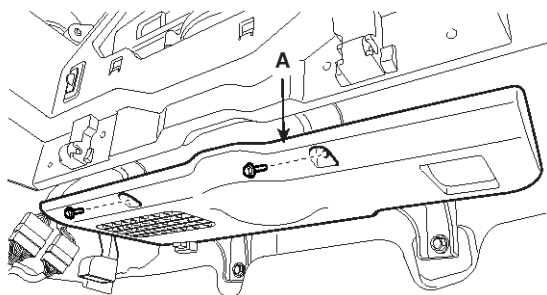


SHMBD8116D

BD-68

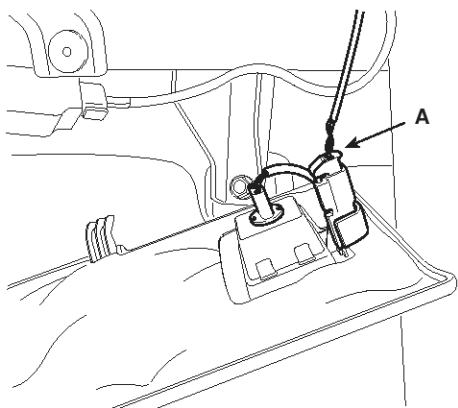
Body (Interior and Exterior)

8. After loosening the mounting screws, then remove the glove box lower cover (A).



SHMBD8117D

9. Disconnect the connector (A).

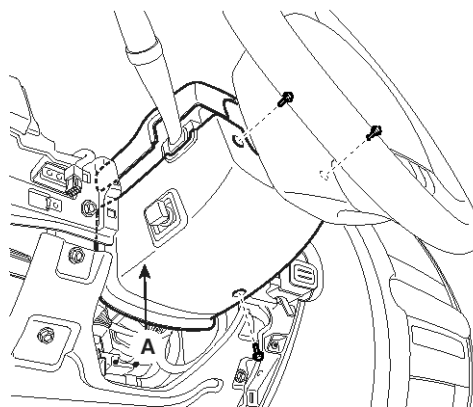


SHMBD8118D

10. Installation is the reverse of removal.

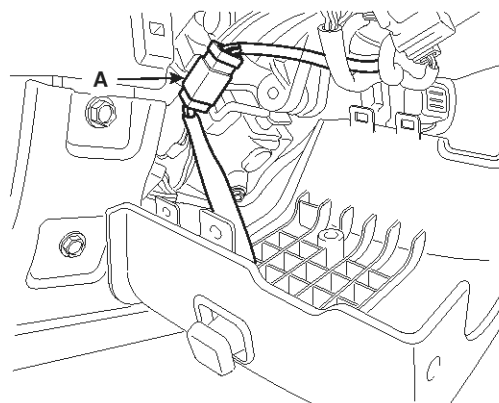
Shroud Replacement

1. Loosen the screws.
2. Remove the shroud assembly (A).



SHMBD8119D

3. Disconnect the connector (A).



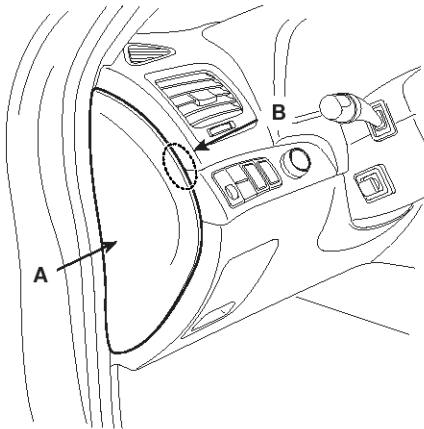
SHMBD8120D

4. Installation is the reverse of removal.

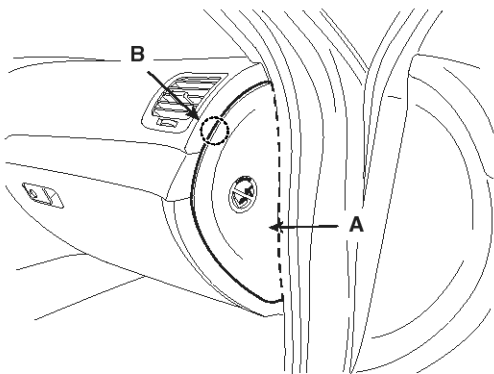
Crash Pad Side Cover Replacement

NOTICE

- When prying with a flat-up screwdriver, wrap it with protective tape, and apply protective tape around the related parts, to prevent damage.
 - Put on gloves to protect your hands.
1. Using a hole (B), remove the crash pad side cover (A).



SHMBD8083D



SHMBD8113D

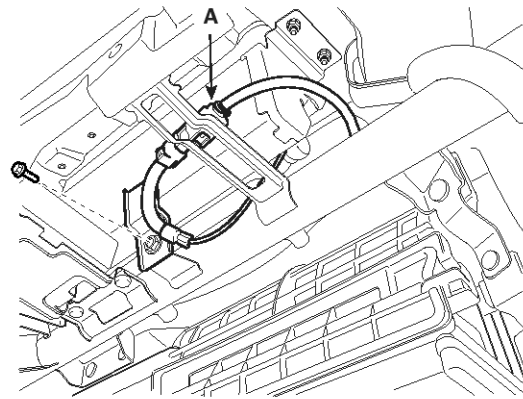
2. Installation is the reverse of removal.

Crash Pad Replacement

NOTICE

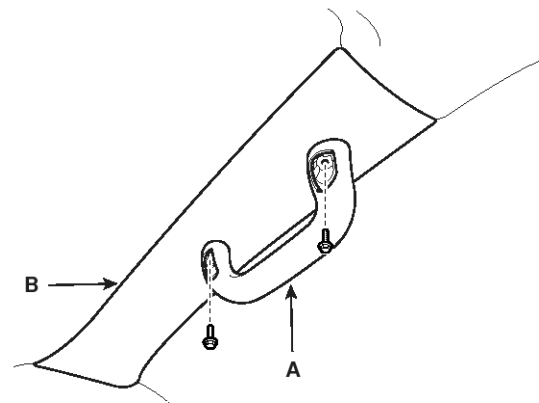
- When prying with a flat-up screwdriver, wrap it with protective tape, and apply protective tape around the related parts, to prevent damage.
- Put on gloves to protect your hands.

1. Remove the following items :
 - Front seat
 - Cluster fascia panel, cluster
 - Audio assembly
 - Glove box
 - Crash pad side cover
 - Front pillar trim
2. Disconnect the passenger's air bag connector (A).



SHMBD8121N

3. Remove the assist handle (A).
4. Remove the front pillar trim (B).

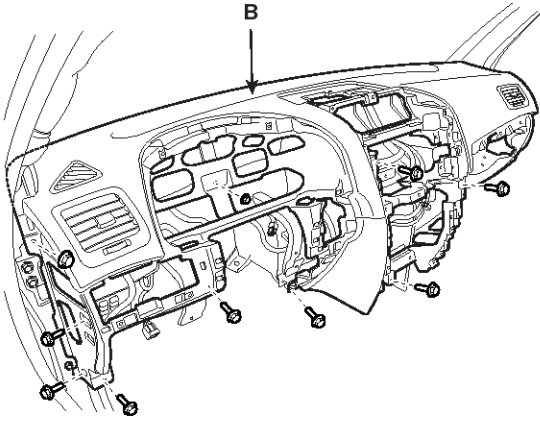


SHMBD8122D

BD-70

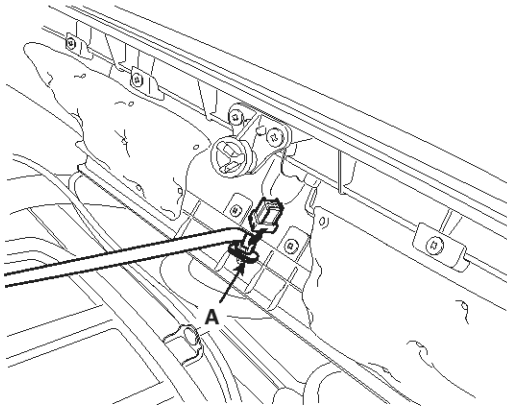
Body (Interior and Exterior)

5. Loosen the bolts and nuts, remove the crash pad (B).



SHMBD8123D

6. Remove the connector clip (A).



SHMBD8124L

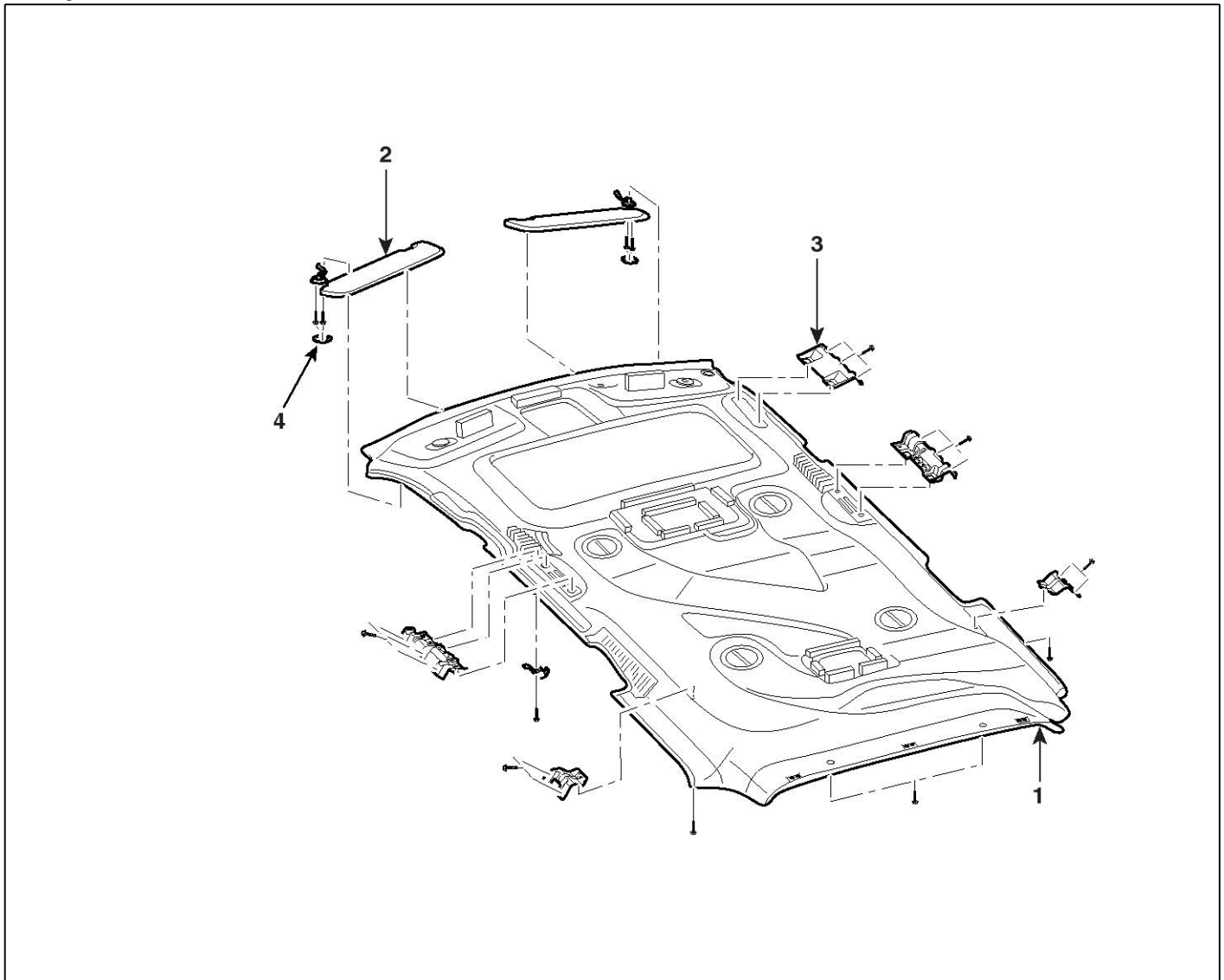
7. Installation is the reverse of removal.

NOTICE

- Make sure the crash pad fits onto the guide pins correctly.
- Before tightening the bolts, make sure the crash pad wire harnesses are not pinched.
- Make sure the connectors are plugged in properly, and the antenna lead is connected properly.
- Enter the anti-theft code for the radio, then enter the customer's radio station presets.

Roof Trim

Components



SHMBD8244N

- 1. Roof trim
- 2. Sunvisor

- 3. Assist handle mounting bracket
- 4. Sunvisor mounting cover

BD-72

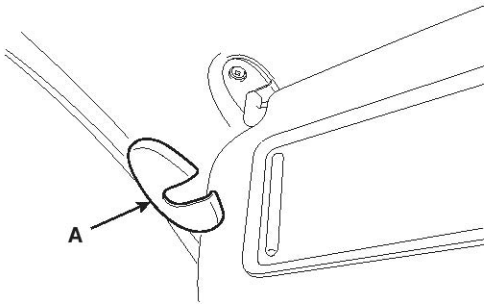
Body (Interior and Exterior)

Replacement

Sunvisor Replacement

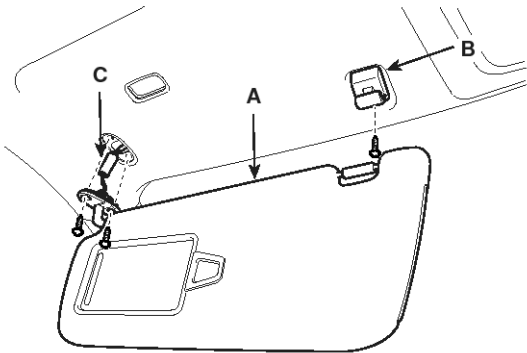
NOTICE

- When prying with a flat-tip screwdriver, wrap it with protective tape to prevent damage.
 - Put on gloves to protect your hands.
1. Remove the cover (A).



SHMBD8125D

2. Remove the sunvisor (A) and holder (B) from each side.
3. Disconnect the connector (C).



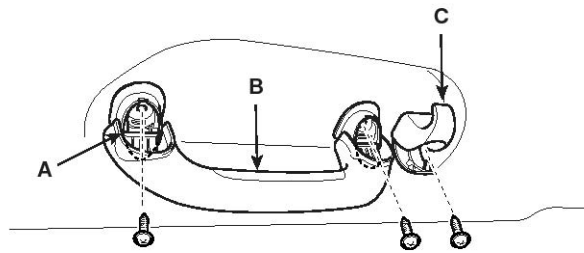
SHMBD8126D

4. Installation is the reverse of removal.

Assist Handle Replacement

NOTICE

- When prying with a flat-tip screwdriver, wrap it with protective tape to prevent damage.
 - Put on gloves to protect your hands.
1. Remove the covers (B), and remove the screws, then remove the assist handle (A).
 2. Remove the hook (C).



SHMBD8127D

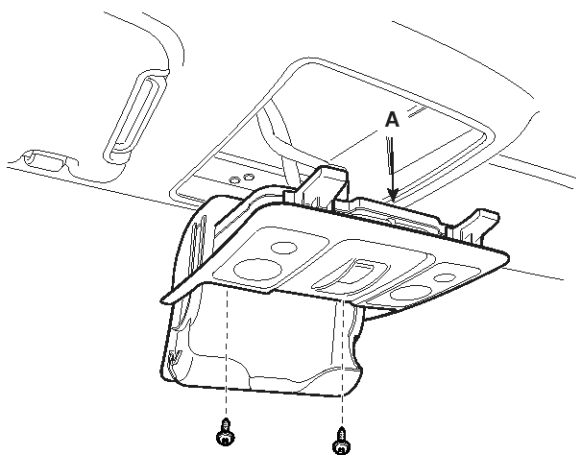
3. Installation is the reverse of removal.

Overhead Console Lamp Replacement

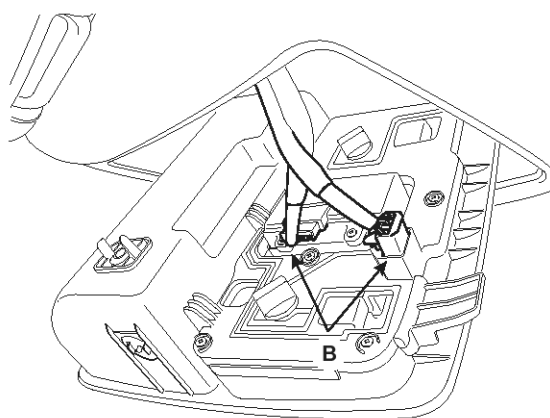
NOTICE

- When prying with a flat-tip screwdriver, wrap it with protective tape to prevent damage.
- Put on gloves to protect your hands.

1. Remove the overhead console.
 - Remove the screw.
 - Pull out the overhead console (A).
 - Disconnect the connector (B).



SHMBD8128D



SHMBD8129D

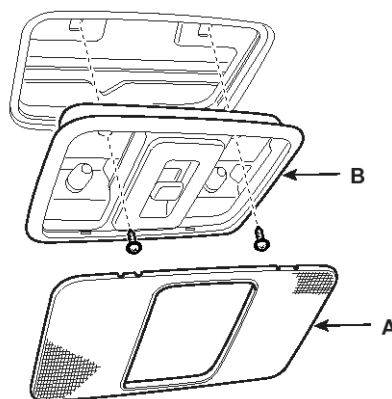
2. Installation is the reverse of removal.

Room Lamp Replacement

NOTICE

- When prying with a flat-tip screwdriver, wrap it with protective tape to prevent damage.
- Put on gloves to protect your hands.

1. Remove the room lamp.
 - Remove the lens (A).
 - Remove the screws.
 - Pull out the room lamp (B).
 - Disconnect the connector.



SHMBD8130D

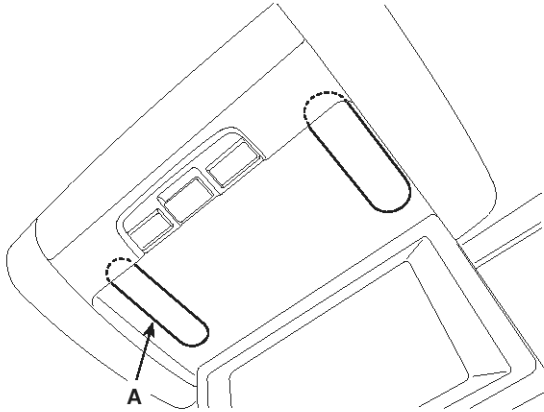
2. Installation is the reverse of removal.

BD-74

Body (Interior and Exterior)

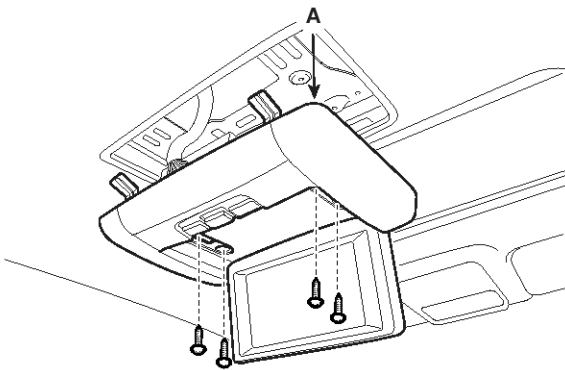
DVD Rear Monitor Replacement

1. Remove the cover (A).



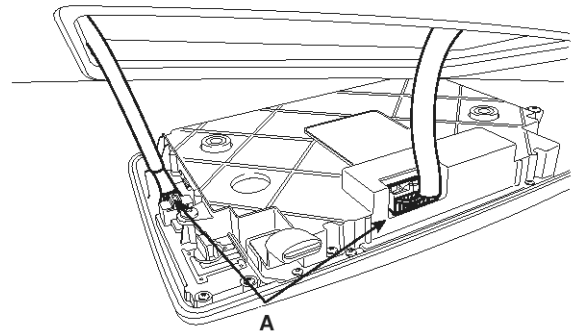
SHMBD8131D

2. After loosening the mounting screws, remove the DVD rear monitor (A).



SHMBD8132D

3. Disconnect the connectors (A).



SHMBD8133D

4. Installation is the reverse of removal.

Roof Trim Replacement

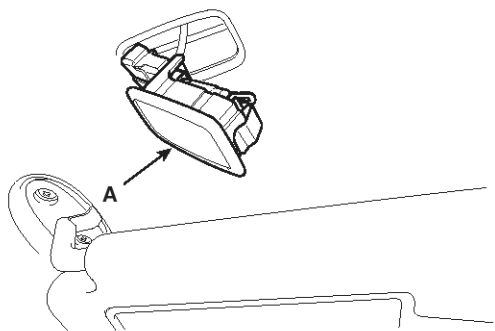
NOTICE

- Put on gloves to protect your hands.
- When prying with a flat-tip screwdriver, wrap it with protective tape to prevent damage.
- Take care not to bend or scratch the trim and panels.

1. Remove the following items :

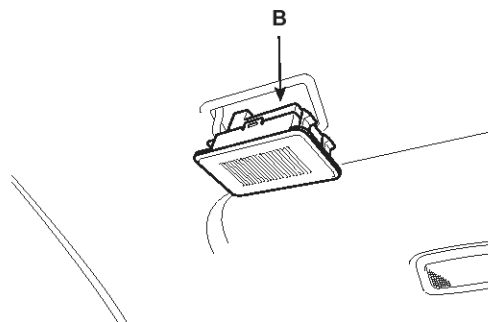
- Front seat, rear seat assembly
- Door scuff trim
- Front pillar trim
- Center pillar trim
- Rear pillar trim
- Overhead console
- Room lamp
- Sunvisor
- Assist handle

2. Remove the lamp (A).



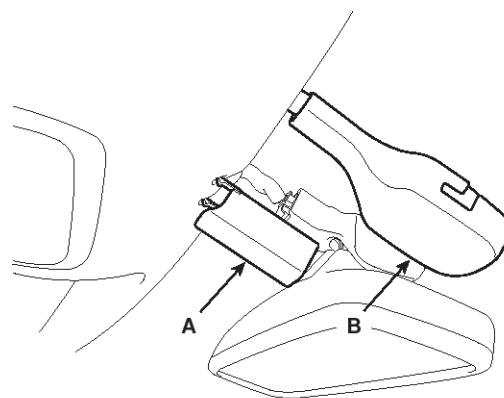
SHMBD8134D

3. Remove the hands free mic (B).



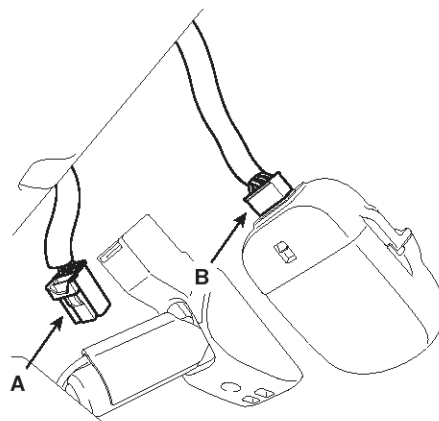
SHMBD8135D

4. Remove the cover (A) and (B).



SHMBD8136D

5. Disconnect the connector (A) and (B).

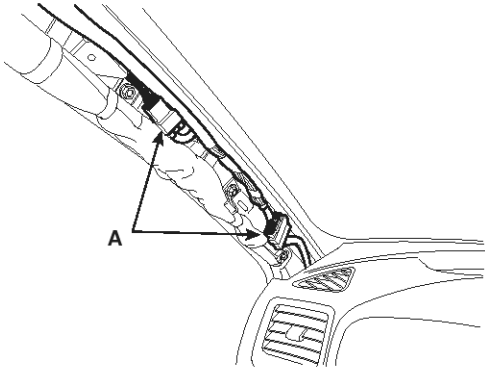


SHMBD8137D

BD-76

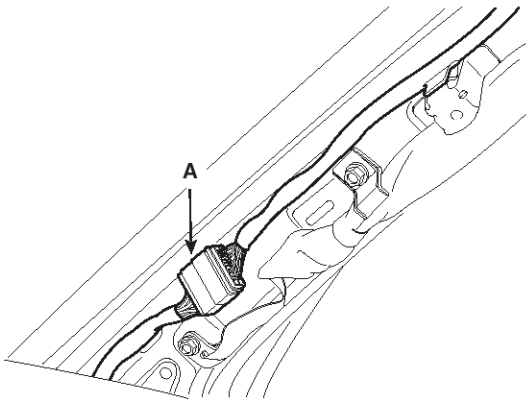
Body (Interior and Exterior)

6. Disconnect the connector (A).



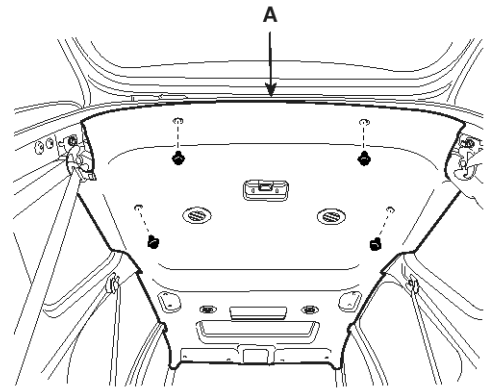
SHMBD8138D

7. Disconnect the connector (A).



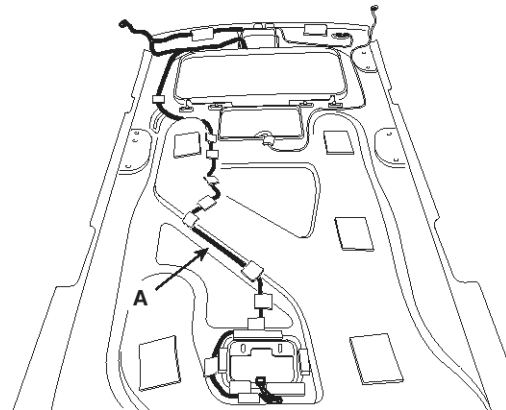
SHMBD8139D

8. Remove the roof trim (A).



SHMBD8140D

9. Disconnect the wiring (A).



SHMBD8141N

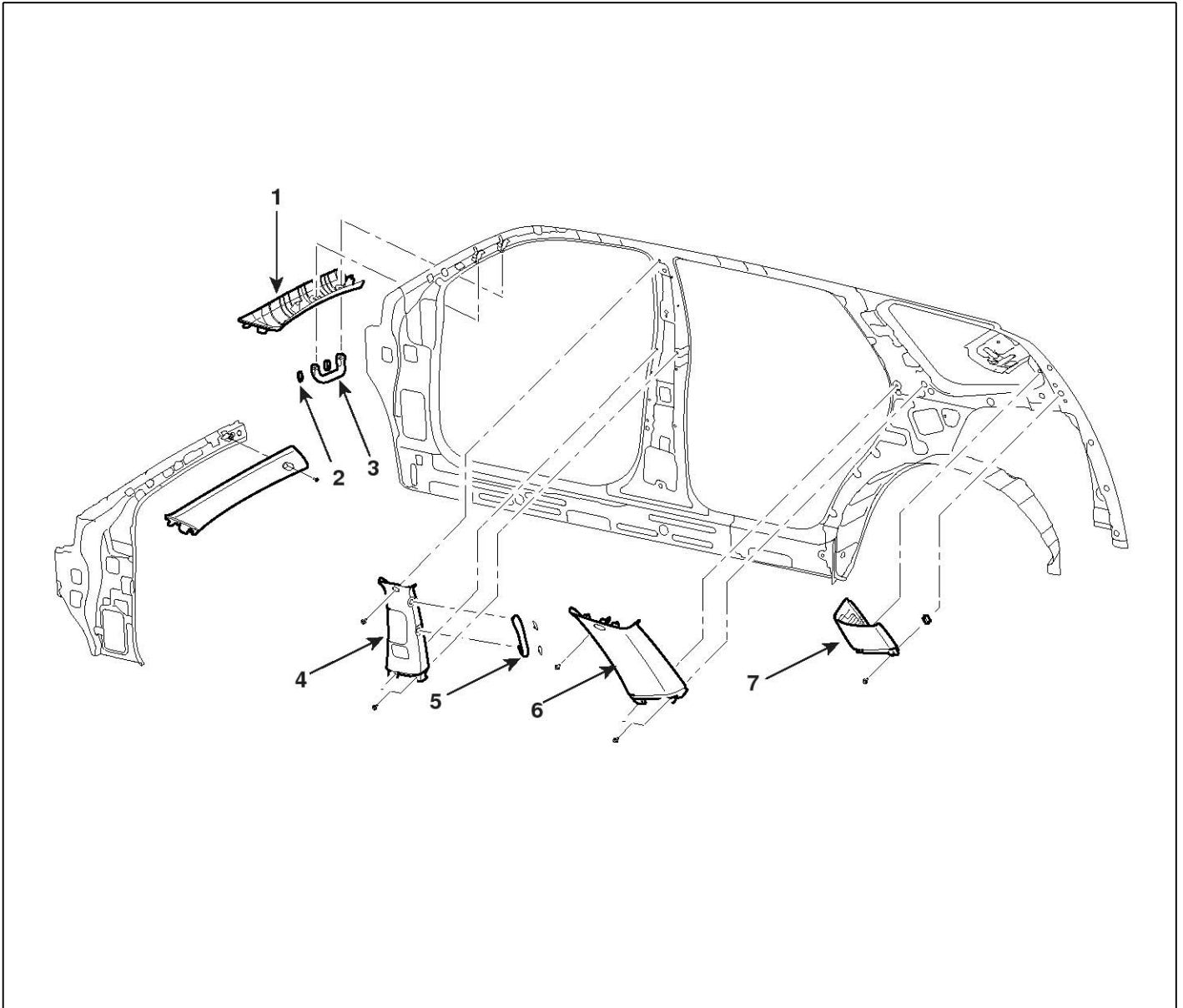
10. Installation is the reverse of removal.

NOTICE

- Replace any damaged clips.

Interior Trim

Components



SHMBD8245D

- 1. Front pillar trim
- 2. Gate grib cover
- 3. Gate grib
- 4. Center upper pillar trim

- 5. Gate grib
- 6. C Pillar trim
- 7. Rear pillar trim

BD-78

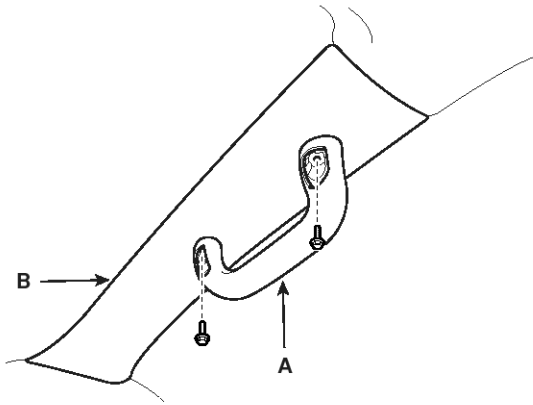
Body (Interior and Exterior)

Replacement

Front Pillar Trim Replacement

NOTICE

- Put on gloves to protect your hands.
 - When prying with a flat-tip screwdriver, wrap it with protective tape to prevent damage.
 - Take care not to bend or scratch the trim and panels.
1. Remove the gate handle grib (A).
 2. Remove the front pillar trim (B).



SHMBD8122D

3. Installation is the reverse of removal.

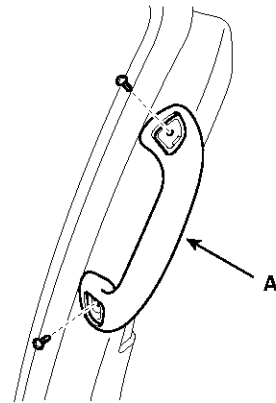
NOTICE

- Replace any damaged clips.

Center Piller Trim Replacement

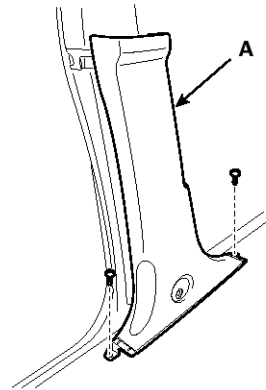
NOTICE

- Put on gloves to protect your hands.
 - When prying with a flat-tip screwdriver, wrap it with protective tape to prevent damage.
 - Take care not to bend or scratch the trim and panels.
1. Remove the front seat belt lower anchor.
 2. Remove the front door scuff trim and rear door scuff trim.
 3. Remove the gate grip handle (A).



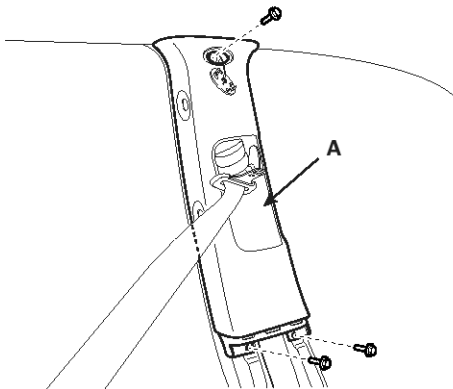
SHMBD8215D

4. Remove the center lower trim (A).



SHMBD8214D

5. Remove the center upper trim (A).



SHMBD8216D

6. Installation is the reverse of removal.

NOTICE

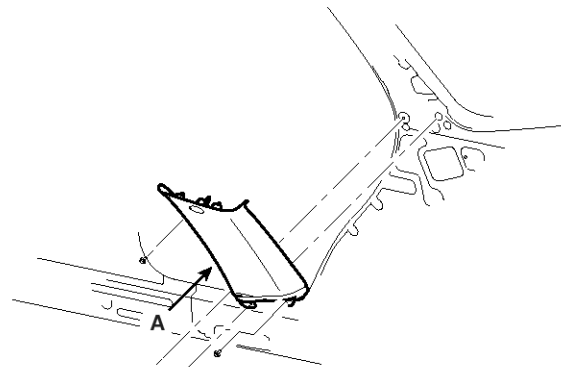
- Replace any damaged clips.

C Pillar Trim Replacement

NOTICE

- Put on gloves to protect your hands.
- When prying with a flat-tip screwdriver, wrap it with protective tape to prevent damage.
- Take care not to bend or scratch the trim and panels.

1. Remove the luggage side trim.
2. Remove the C pillar trim (A).



SHMBD8352D

3. Installation is the reverse of removal.

NOTICE

- Replace any damaged clips.

BD-80

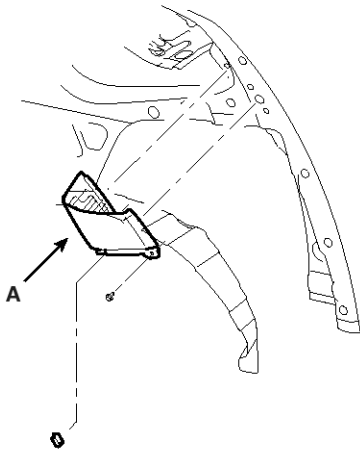
Body (Interior and Exterior)

Rear Pillar Trim Replacement

NOTICE

- *Put on gloves to protect your hands.*
- *When prying with a flat-tip screwdriver, wrap it with protective tape to prevent damage.*
- *Take care not to bend or scratch the trim and panels.*

1. Remove the luggage side trim.
2. Remove the rear pillar trim (A).



SHMBD8353D

3. Installation is the reverse of removal.

NOTICE

- *Replace any damaged clips.*

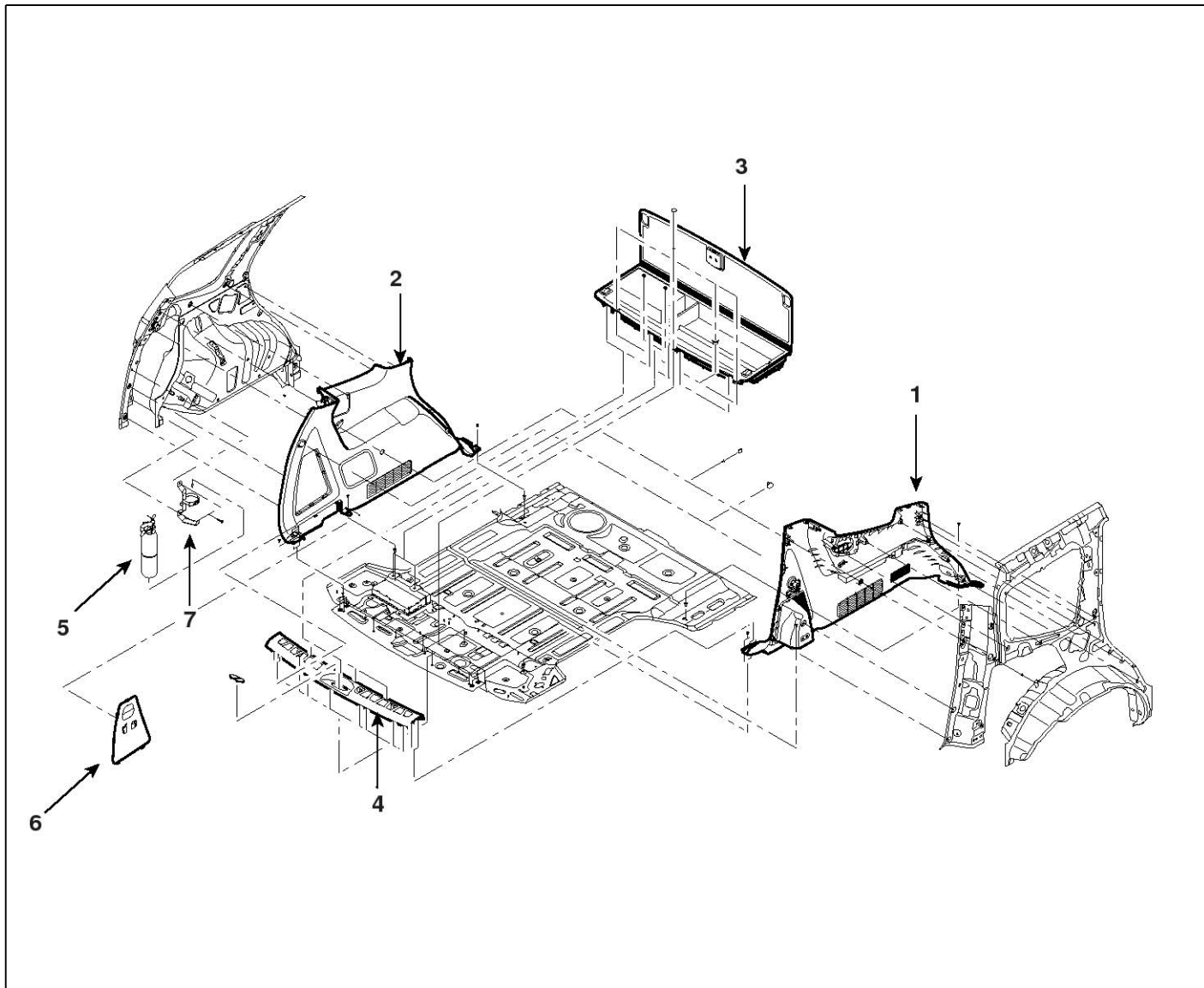
Luggage Side Trim Replacement

NOTICE

- Put on gloves to protect your hands.
- When prying with a flat-tipped screwdriver, wrap it with protective tape to prevent damaged.
- Be careful not to bend or scratch the trim and panels.

1. Remove the rear seat.
2. Remove the rear seat belt lower anchor.

3. After loosening the mounting screws, remove the luggage side trim (1), (2).
4. Installation is the reverse of removal.



SHMBD8261D

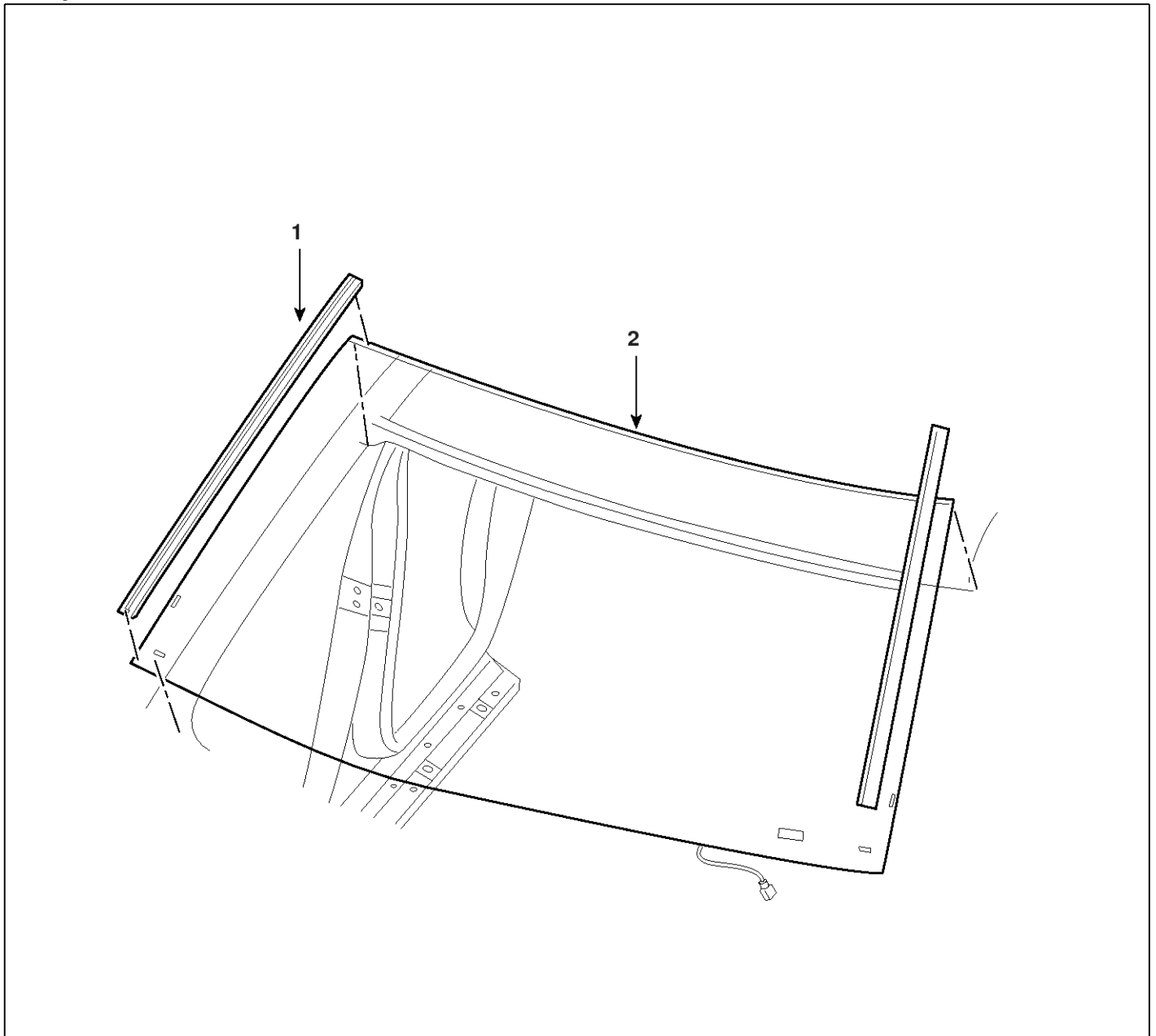
- | | |
|----------------------|------------------------------|
| 1. Luggage side trim | 5. Fire extinguisher |
| 2. Luggage side trim | 6. Cover |
| 3. Storage box | 7. Fire extinguisher bracket |
| 4. Transverse trim | |

BD-82

Body (Interior and Exterior)

Windshield Glass

Components



SHMBD8248D

1. Windshield side molding

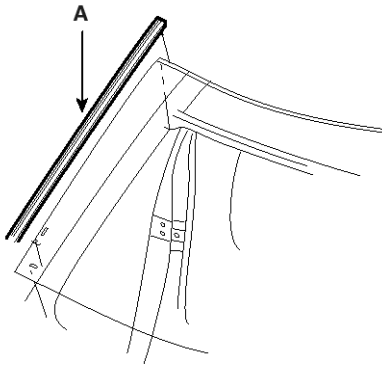
2. Windshield glass

Replacement Removal

NOTICE

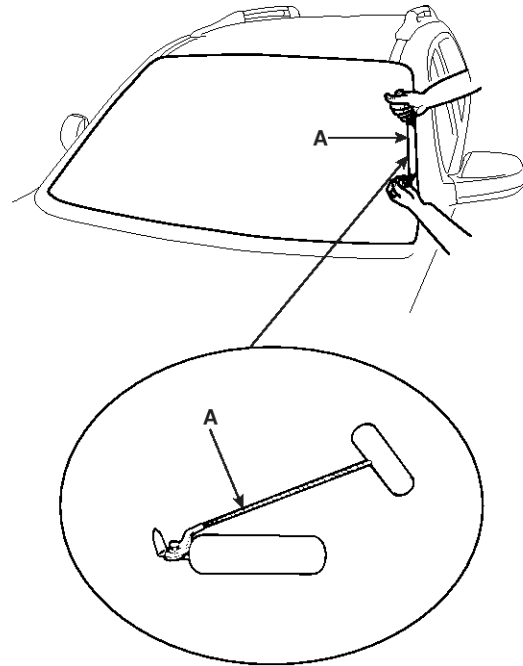
- Put on gloves to protect your hands.
- Use seat covers to avoid damaging any surfaces.

1. Remove the following items.
 - Front pillar trim, both sides.
 - Windshield wiper arms and cowl cover (Refer to page BE-“Windshield wiper”).
2. Remove the windshield glass side molding (A).



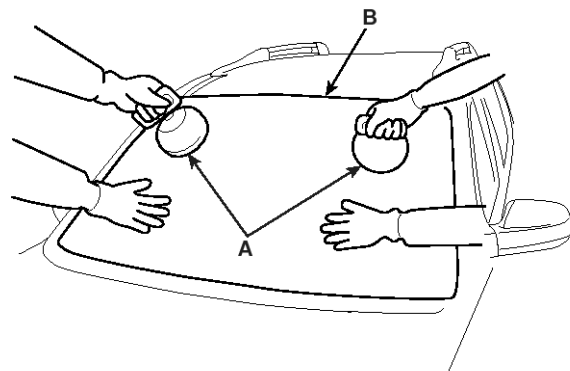
SHMBE8253D

3. Cut out the windshield sealant using the sealant cutting tool (A)(09861-31100).



ASIE070C

4. Remove the windshield (A) carefully using the glass holder (B).



ASIE070D

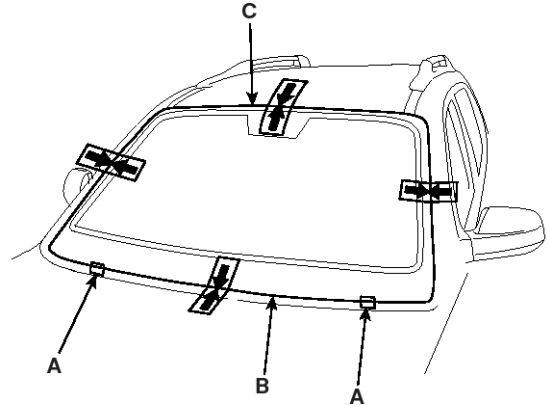
BD-84

Body (Interior and Exterior)

Installation

1. With a knife, scrape the old adhesive smooth to a thickness of about 2mm (0.08 in.) on the bonding surface around the entire windshield opening flange:
 - Do not scrape down to the painted surface of the body; damaged paint will interfere with proper bonding.
 - Remove the rubber dam and fasteners from the body.
 - Mask off surrounding surfaces before painting.
2. Clean the bonding surface with a sponge dampened in alcohol. After cleaning, keep oil, grease and water from getting on the clean surface.

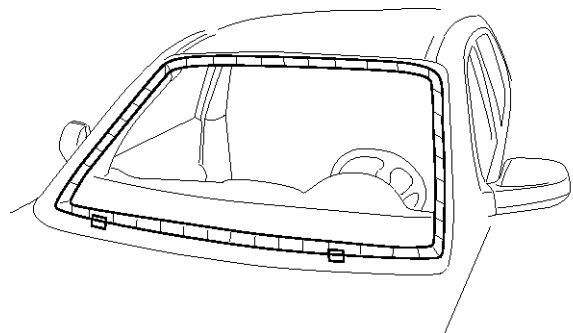
3. Install the spacer (A) install the windshield glass (B) temporarily with marking sure to position them on the center, and then place the alignment mark (C).
4. Remove the windshield.



ASIE070F

5. With a sponge, apply a light coat of body primer to the original adhesive remaining around the windshield opening flange. Let the body primer dry for at least 10 minutes.
 - Do not apply glass primer to the body, and be careful not to mix up glass and body primer sponges.
 - Never touch the primed surfaces with your hands.
 - Mask off the dashboard before painting the flange.

/////// : Primer

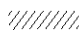


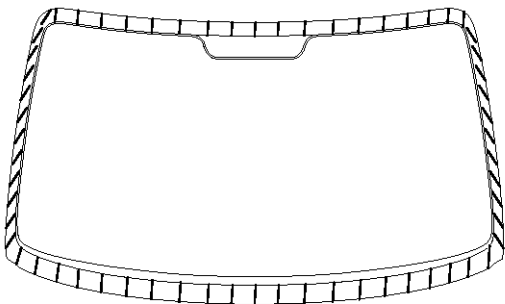
SHMBD505L

6. Apply a light coat of glass primer to the outside of the fasteners.

NOTICE

- Never touch the primed surface with your hand. If you do, the adhesive may not bond to the glass properly, causing a leak after the windshield glass is installed.
- Do not apply body primer to the glass.
- Keep water, dust, and abrasive materials away from the primer.

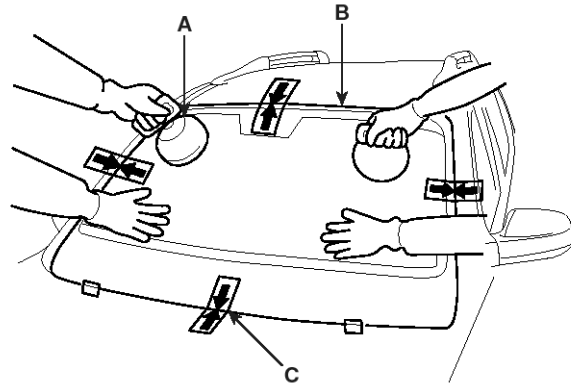
 : Primer



SBHBD8203L

7. Pack adhesive into the cartridge without air pockets to ensure continuous delivery. Put the cartridge in a caulking gun, and run a bead of adhesive around the edge of the windshield between the fastener and molding as shown. Apply the adhesive within 30 minutes after applying the glass primer. Make a slightly thicker bead at each corner.

8. Use suction cups (A) to hold the windshield over the opening, align it with the alignment marks (B) made in step 15, and set it down on the adhesive. Lightly push on the windshield until its edges are fully seated on the adhesive all the way around. Do not open or close the doors until the adhesive is dry.



ASIE070J

9. Scrape or wipe the excess adhesive off with a putty knife or towel. To remove adhesive from a painted surface or the windshield, wipe with a soft shop towel dampened with alcohol.
10. Let the adhesive dry for at least one hour, then spray water over the windshield and check for leaks. Make leaking areas, and let the windshield dry, then seal with sealant:
 - Let the vehicle stand for at least four hours after windshield installation. If the vehicle has to be used within the first four, it must be driven slowly.
 - Keep the windshield dry for the first hour after installation.
11. Reinstall all remaining removed parts. Install the rearview mirror after the adhesive has dried thoroughly. Advise the customer not to do the following things for two to three days:
 - Slam the door with all the windows rolled up.
 - Twist the body excessively (such as when going in and out of driveways at an angle or driving over rough, uneven roads)

BD-86

Body (Interior and Exterior)

Quarter Fixed Glass

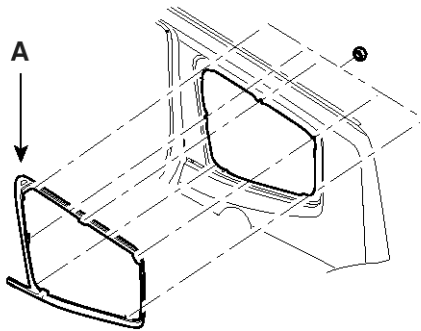
Replacement

Removal

NOTICE

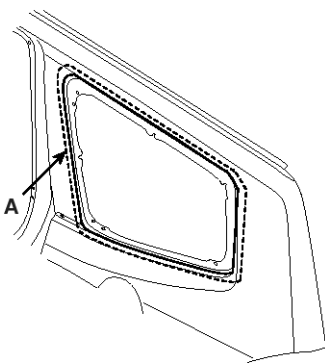
- Put on gloves to protect your hands.
- Take care not to body surface and other parts.

1. Remove the following parts:
 - Rear seat assembly
 - Rear door scuff trim
 - Self covering trim
 - Luggage side trim
 - Rear seat belt upper anchor bolt
 - Rear pillar trim
2. Loosen the quarter fixed glass (A) mounting nut.



SHMBD8238D

3. Cut out the sealant (A) using the sealant cutting tool.

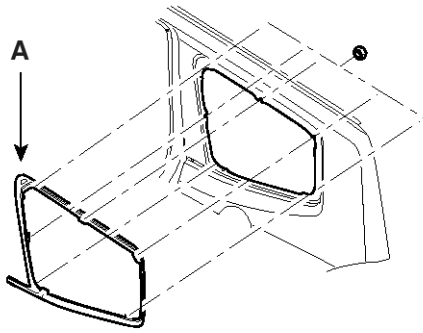


SHMBD8354D

4. Remove the quarter fixed glass.

Inatallation

1. With a putt knife, scrape the old adhesive smooth to a thickness of about 2mm (0.08 in.) on the bonding surface around the entire quarter fixed glass flange.
 - Do not scrape down to the painted surface of the body; damaged paint will interfere with proper bonding.
 - Mask off surrounding surfaces before painting.
 - Remove the fasteners from the body.
2. Clean the body bonding surface with a sponge dampened in alcohol. After cleaning, keep oil, grease and water from getting on the surface.
3. With a sponge, apply a light coat of glass primer along the edge of the quarter fixed glass as shown, then lightly wipe it off with gauze or cheese cloth:
 - Do not apply body primer to the quarter fixed glass, and do not get body and glass primer sponges mixed up.
 - Never touch the primed surfaces with your hands. If you do, the adhesive may not bond to the quarter fixed glass properly, causing a leak after the quarter fixed glass is installed.
 - Keep water, dust, and abrasive materials away from the primed surface.
4. With a sponge, apply a light coat of body primer to the original adhesive remaining around the flange. Let the body primer dry for at least 10 minutes.
 - Do not apply glass primer to the body, and be careful not to mix up glass and body primer sponges.
 - Never touch the primed surfaces with your hands.
5. Pack adhesive into the cartridge without air pockets to ensure continuous delivery. Put the cartridge in a caulking gun, and run a bead of sealant around the edge of the quarter fixed glass as shown. Apply the adhesive within 30 minutes after applying the glass primer. Make a slightly thicker bead at each corner.
6. Install the quarter fixed glass (A).



SHMBD8238D

7. Let the adhesive dry for at least one hour, then spray water over the rear window and check for leaks. Mark the leaking areas, let the rear window dry, then seal with sealant. Let the vehicle stand for at least four hours after rear window installation. If the vehicle has to be used within the first four hours, it must be driven slowly.
8. Reinstall all remaining removed parts.

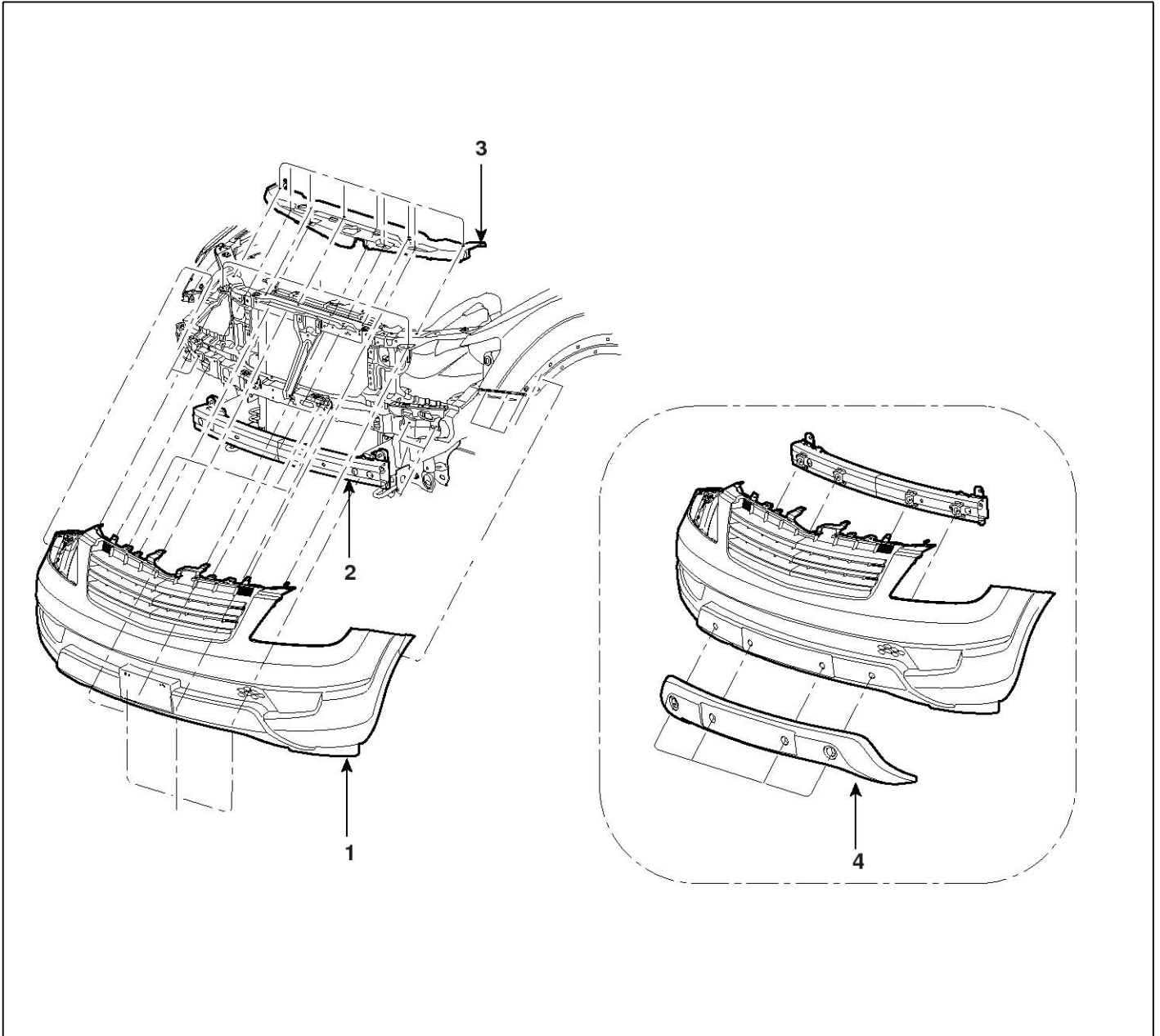
BD-88

Body (Interior and Exterior)

Bumper

Front Bumper

Components



SHMBD8259D

- 1. Front bumper cover
- 2. Front bumper bim

- 3. Radiator upper cover
- 4. Bumper

Bumper

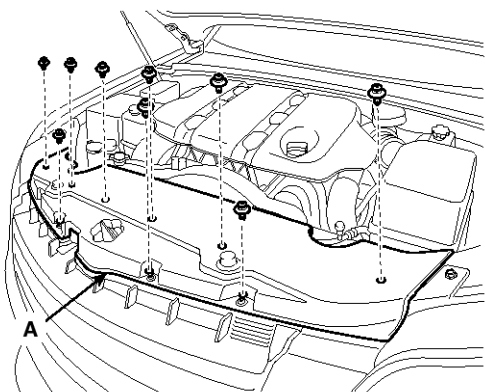
BD-89

Replacement

NOTICE

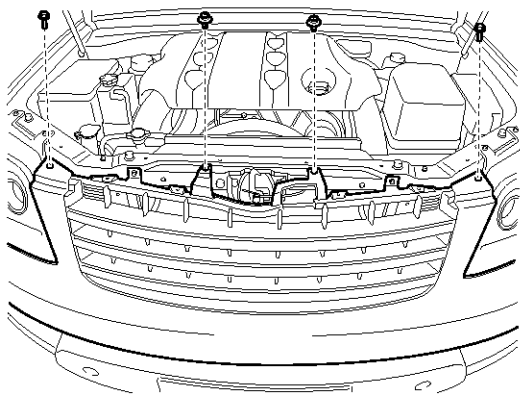
- Put on gloves to protect your hands.
- When prying with a flat-tip screwdriver, wrap it with protective tape to prevent damage.
- Be careful not to bend or scratch the cover and other parts.

1. Remove the radiator upper cover (A).



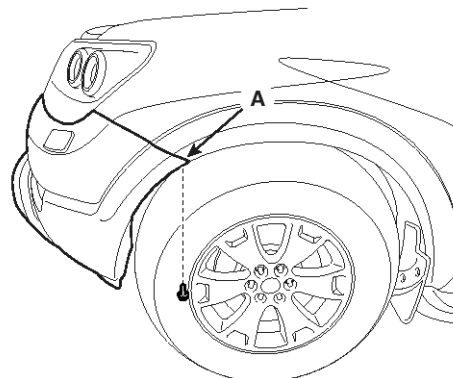
SHMBD8271D

2. Remove the bolts and clips.



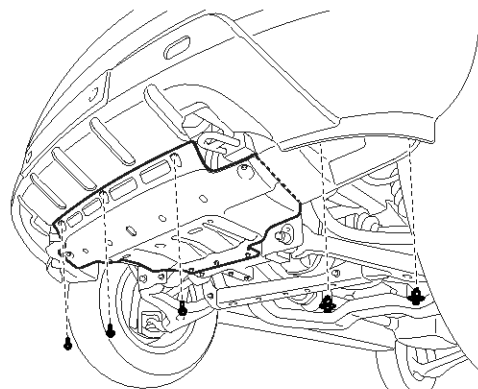
SHMBD8272D

3. Remove the side bumper screw (A).



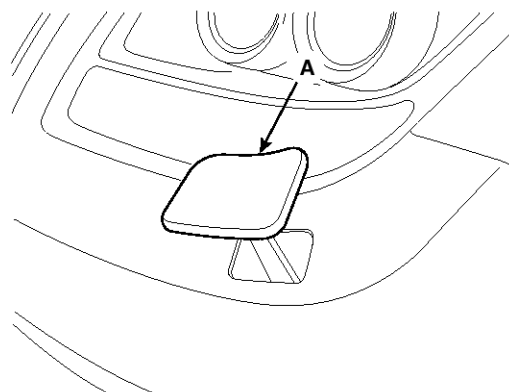
SHMBD8273D

4. Remove the bolts and clips.



SHMBD8274D

5. Remove the washer cover (A).

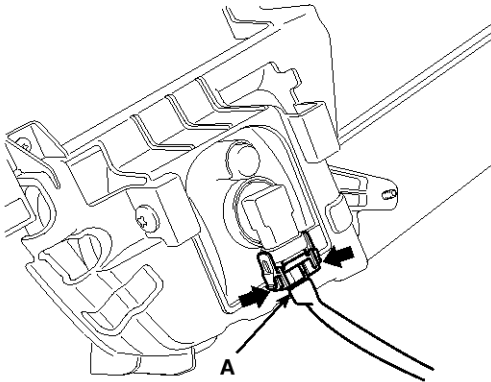


SHMBD8275D

BD-90

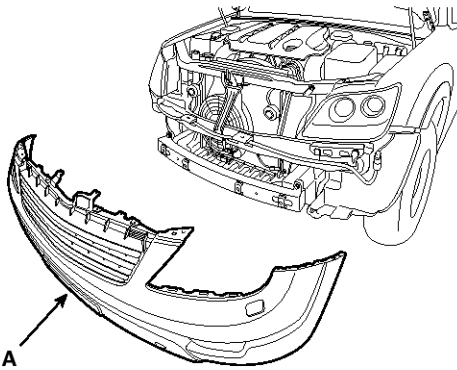
Body (Interior and Exterior)

6. Disconnect the fog lamp connector (A).



SHMBD8276D

7. Remove the front bumper cover (A).



SHMBD8277D

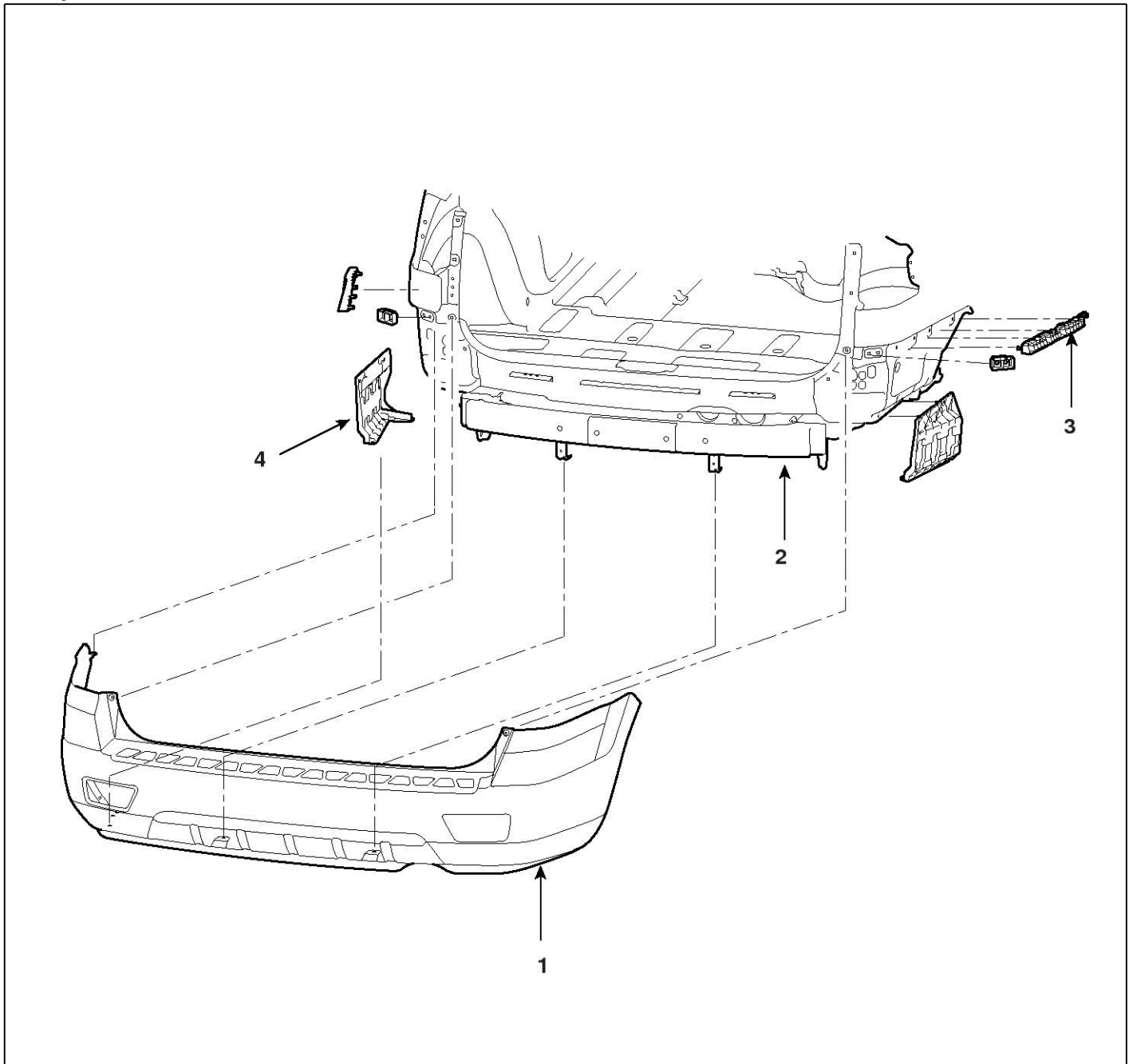
8. Installation is the reverse of removal.

Bumper

BD-91

Rear Bumper

Components



SHMBD8260D

- 1. Rear bumper cover
- 2. Rear bumper bim

- 3. Rear bumper side bracket
- 4. Rear bumper side lower guide

BD-92

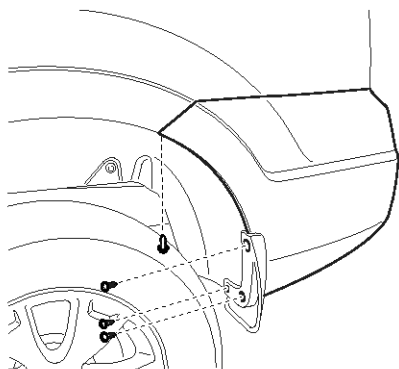
Body (Interior and Exterior)

REPLACEMENT

NOTICE

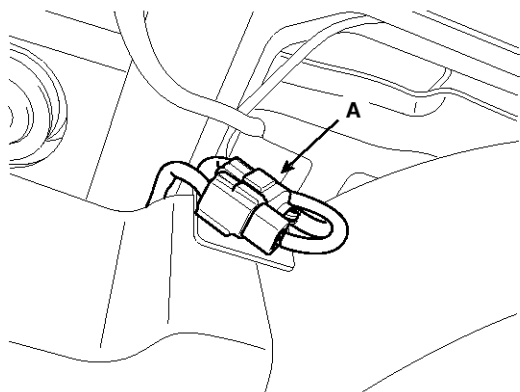
- After remove the rear combination lamp.
- When prying with a flat-tip screwdriver, wrap it with protective tape, and apply protective tape around the related parts your hands.
- Put on gloves to protect your hands.
- Be careful not bend or scratch the cover and other parts.

1. Remove the side bumper mounting screws.



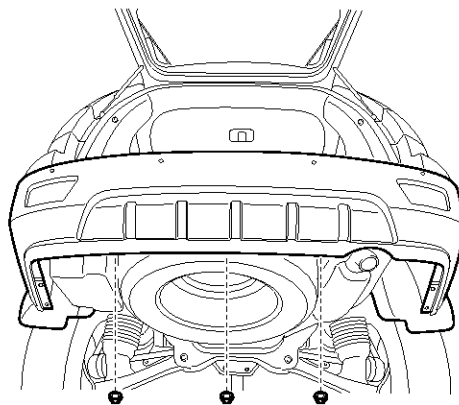
SHMBD8279D

2. Disconnect the connector (A).



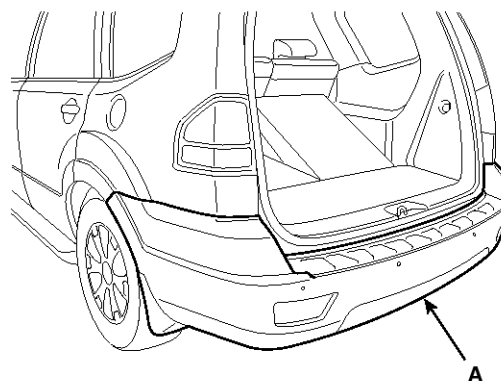
SHMBD8280D

3. Remove the mounting nuts.



SHMBD8281D

4. Loosen the rear bumper cover screws and clips.
5. Remove the rear bumper cover (A).



SHMBD8282D

6. Installation is the reverse of removal.

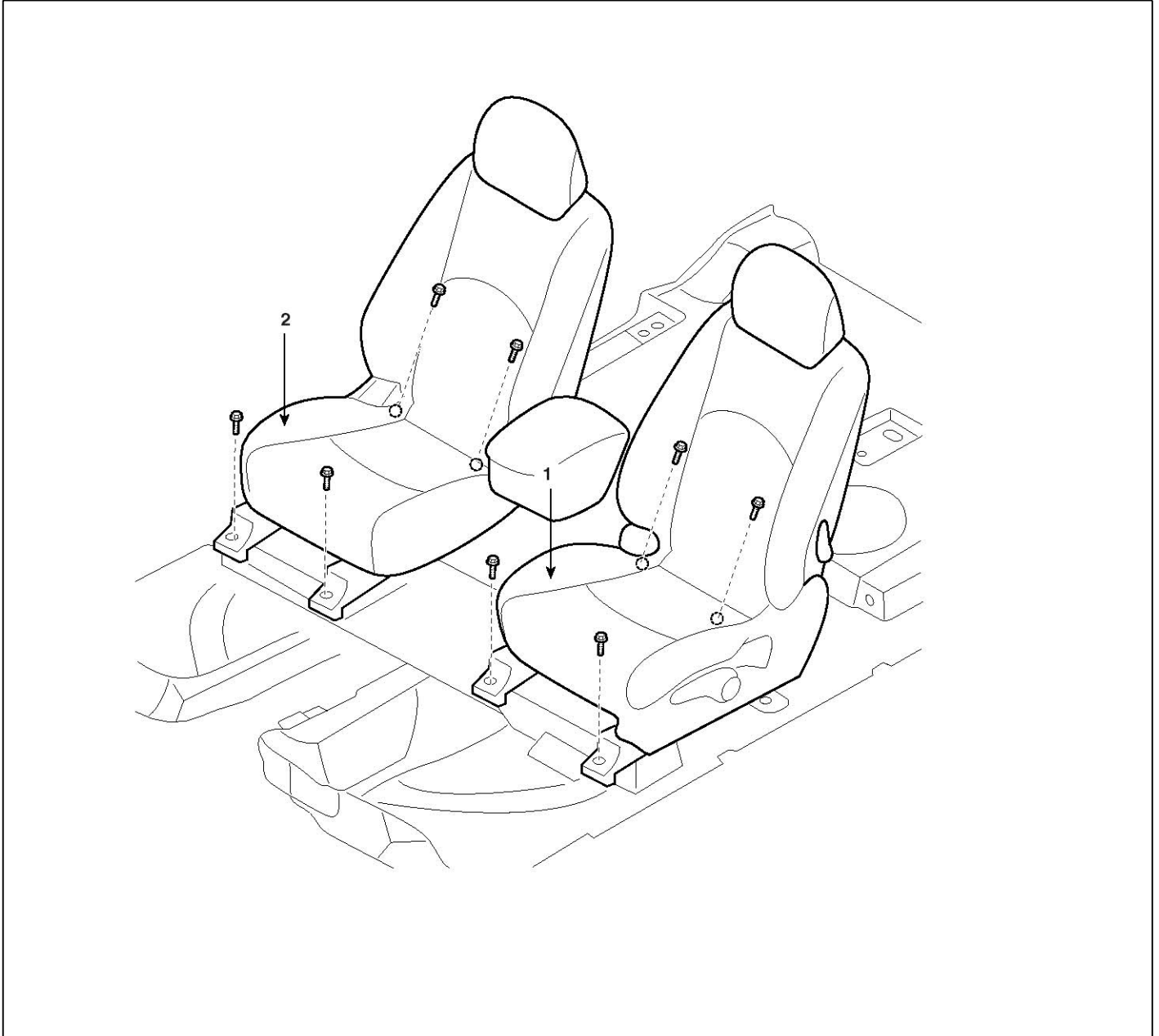
NOTICE

- Replace any damaged clips.

Seat & Power Seat

Front Seat

Components



SHMBD8252D

- 1. Front seat (L/H)
- 2. Front seat (R/H)

BD-94

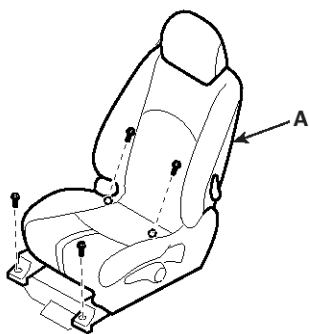
Body (Interior and Exterior)

Replacement

Seat Assembly Replacement

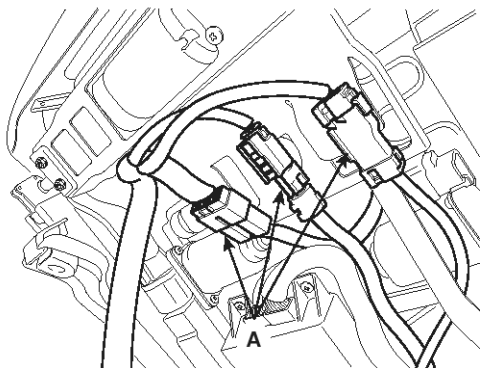
Driver's

1. Remove the seat assembly mounting cover.
2. After loosening the seat assembly mounting bolts, remove the seat assembly (A).



SHMBD8142D

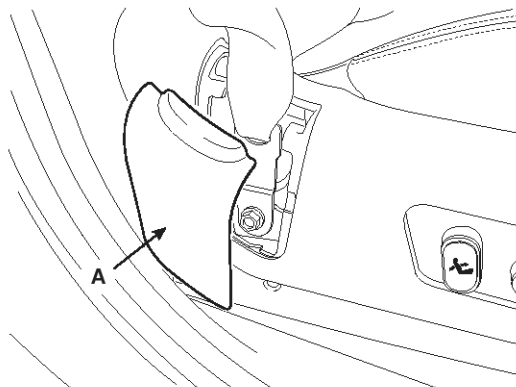
3. Disconnect the connectors (A), and remove the seat assembly.



SHMBD8143D

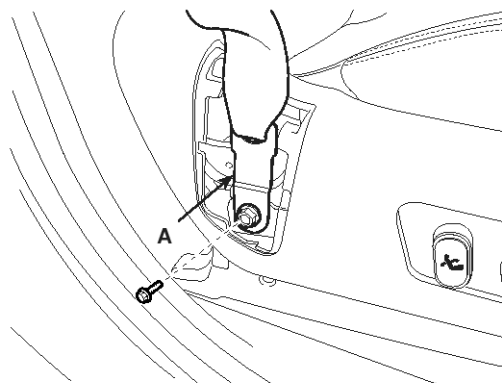
Passenger's

1. Remove the seat belt lower anchor cover (A).



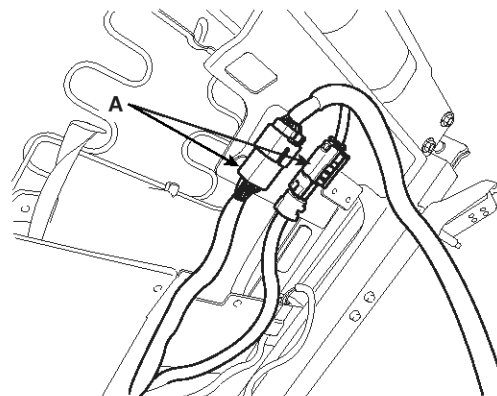
SHMBD8144D

2. After loosening the seat belt lower anchor mounting bolt, remove the seat assembly (A).



SHMBD8145D

3. Disconnect the connector (A).



SHMBD8146D

4. Installation is the reverse of removal.

⚠ CAUTION

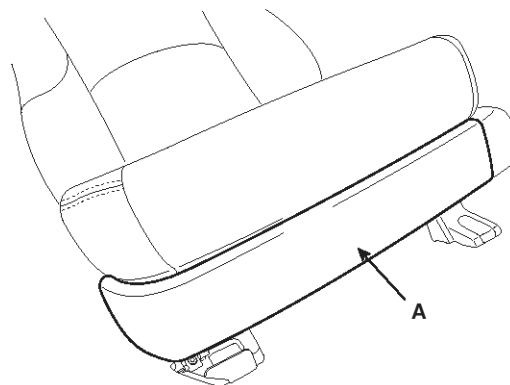
SEAT MOUNTING BOLT INSTALLATION PROCEDURE (manual seat only)

- Set the into the most rearward position. Check then each slide is locked, and then tighten the front mounting bolt temporarily.
- Set the seat into most forward position. Check that each slide is locked, and then tighten the rear mounting bolt completely.
- Set the seat into the most rearward position. Check the front mounting bolt completely.
- Check that the seat operates to and fro smoothly and the locking portion locks properly.

Recliner Cover Replacement

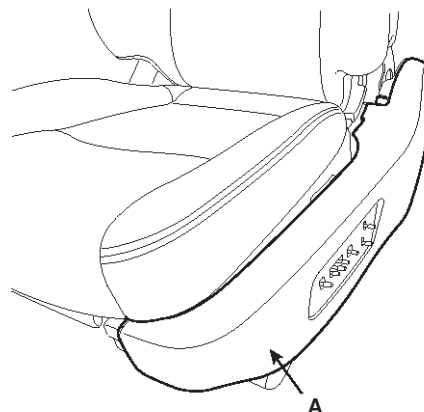
Driver's

1. Remove the cover (A).



SHMBD8147D

2. After loosening the mounting screws, remove the recliner cover (A).

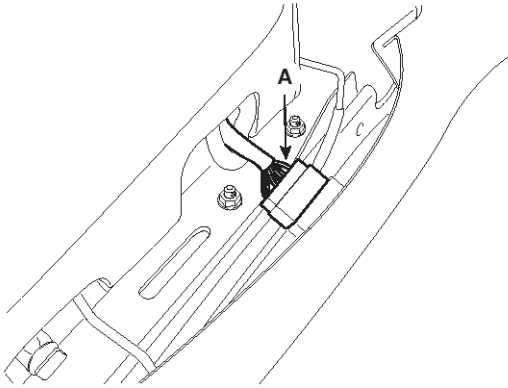


SHMBD8148D

BD-96

Body (Interior and Exterior)

3. Disconnect the connector (A).

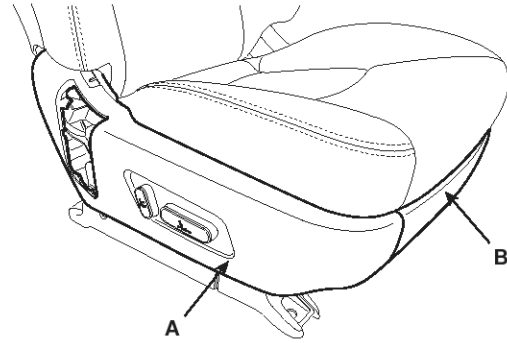


SHMBD8149D

4. Installation is the reverse of removal.

Passenger's

1. Remove the front cover (B).
2. After loosening the mounting screw, remove the recliner cover (A).



SHMBD8150D

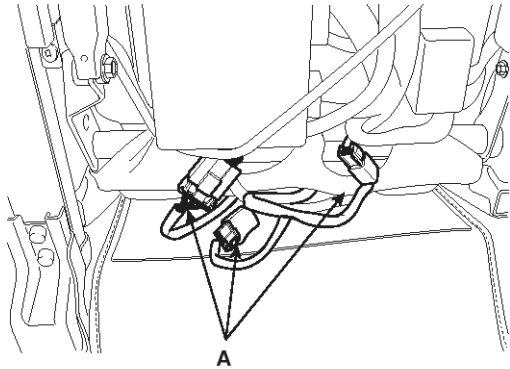
3. Installation is the reverse of removal.

Seat & Power Seat

BD-97

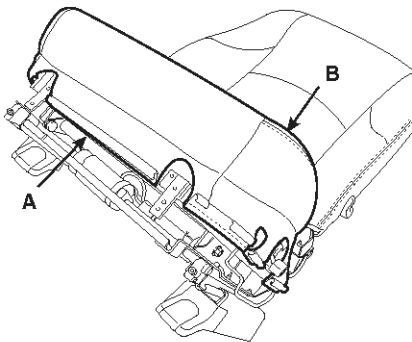
Seat Cushion Cover Replacement

1. Remove front seat assembly.
2. Remove the recliner cover.
3. Disconnect the connectors (A).



SHMBD8151D

4. After disconnect the protector (A), remove the seat cushion (B).



SHMBD8152N

5. After removing the hogring clip on the front of seat cushion and remove the seat cushion cover (A).



SHMBD8153D

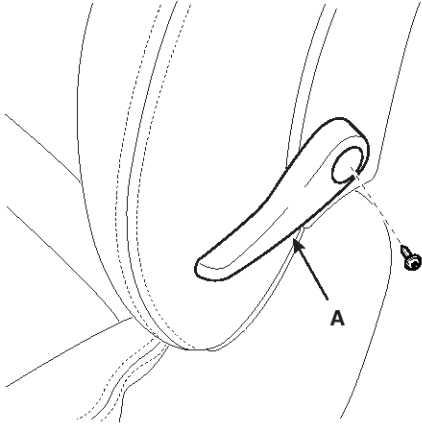
6. Installation is the reverse of removal.

BD-98

Body (Interior and Exterior)

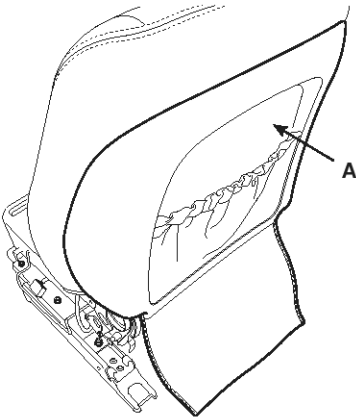
Seat Back Cover Replacement

1. Remove front seat assembly.
2. Remove the headrest.
3. Remove the lumbar support level (A).



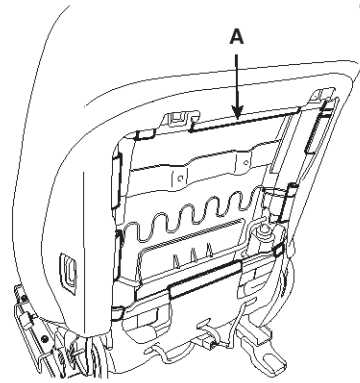
SHMBD8154N

4. After disconnecting the scuff band, remove the seat back panel (A).



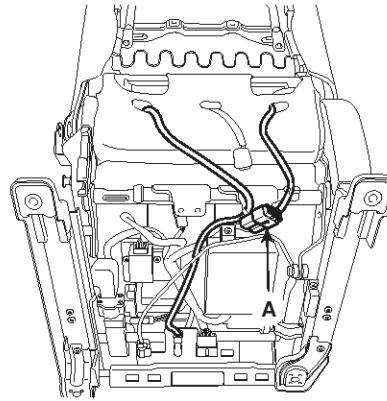
SHMBD8155D

5. Disconnect the protector (A) from the back frame.



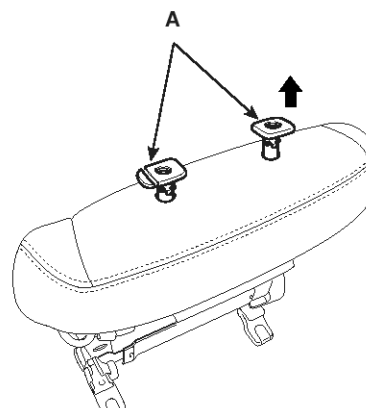
SHMBD8156D

6. Disconnect the connector (A).



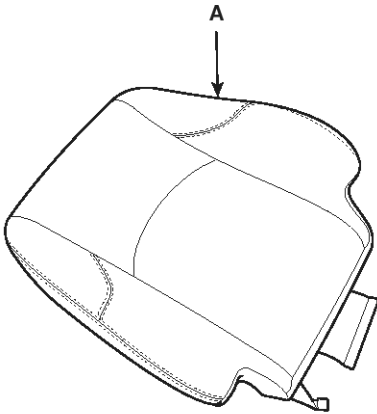
SHMBD8157D

7. Pull out the headrest guides (A) while pinching the end of the guides, and remove them.



SHMBD8158D

8. After removing the hogring clip on the front of seat back and remove the seat back cover (A).



SHMBD8159D

9. Installation is the reverse of removal.

Seat Frame Replacement

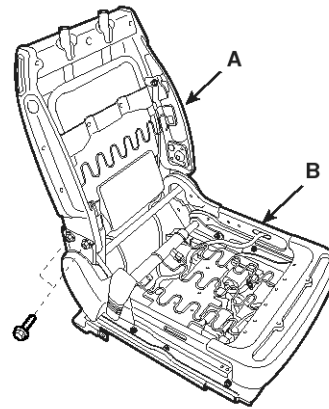
1. Remove the following items :

- Recliner cover
- Seat back panel
- Headrest guide
- Seat back cover

2. After loosening the mounting bolts, disconnect the seat back frame (A) and seat cushion frame (B).

NOTICE

- *Remove the side air bag for replacing side air bag installation seat.*
- *Before service, be fully aware of precautions and service procedure relevant to air bag (Refer to page RT-Airbag)*



SHMBD8160D

3. Installation is the reverse of removal.

BD-100

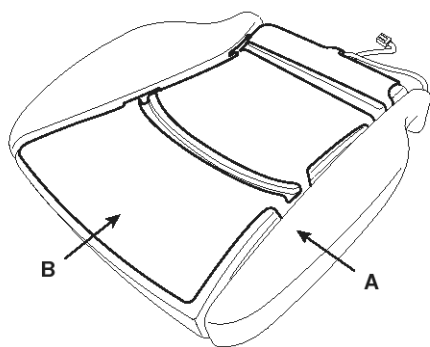
Body (Interior and Exterior)

Seat Cushion Heater Replacement

1. Remove the seat cushion cover.
2. Cut the heater (B) attached to the sponge (A), as shown in the picture.

CAUTION

- Be careful not to damage the slave sponge.



SHMBD8161D

3. Install the seat back cover.
 - Detach the paper from the back of the heater assembly.
 - Attach the heater to the main part of the sponge.

CAUTION

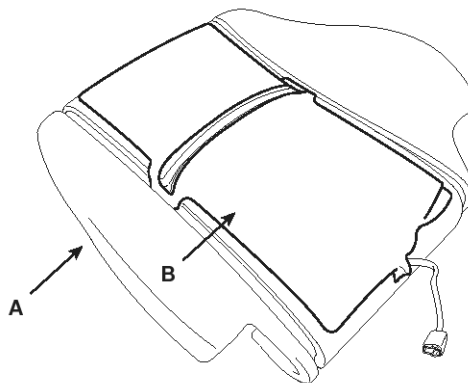
- Be sure to match the heater with main appearance.

Seat Back Heater Replacement

1. Remove the seat back cover.
2. Cut the heater (B) attached to the sponge (A), as shown in the picture.

CAUTION

- Be careful not to damage the slave sponge.



SHMBD8162D

3. Install the seat back cover.
 - Detach the paper from the back of the heater assembly.
 - Attach the heater to the main part of the sponge.

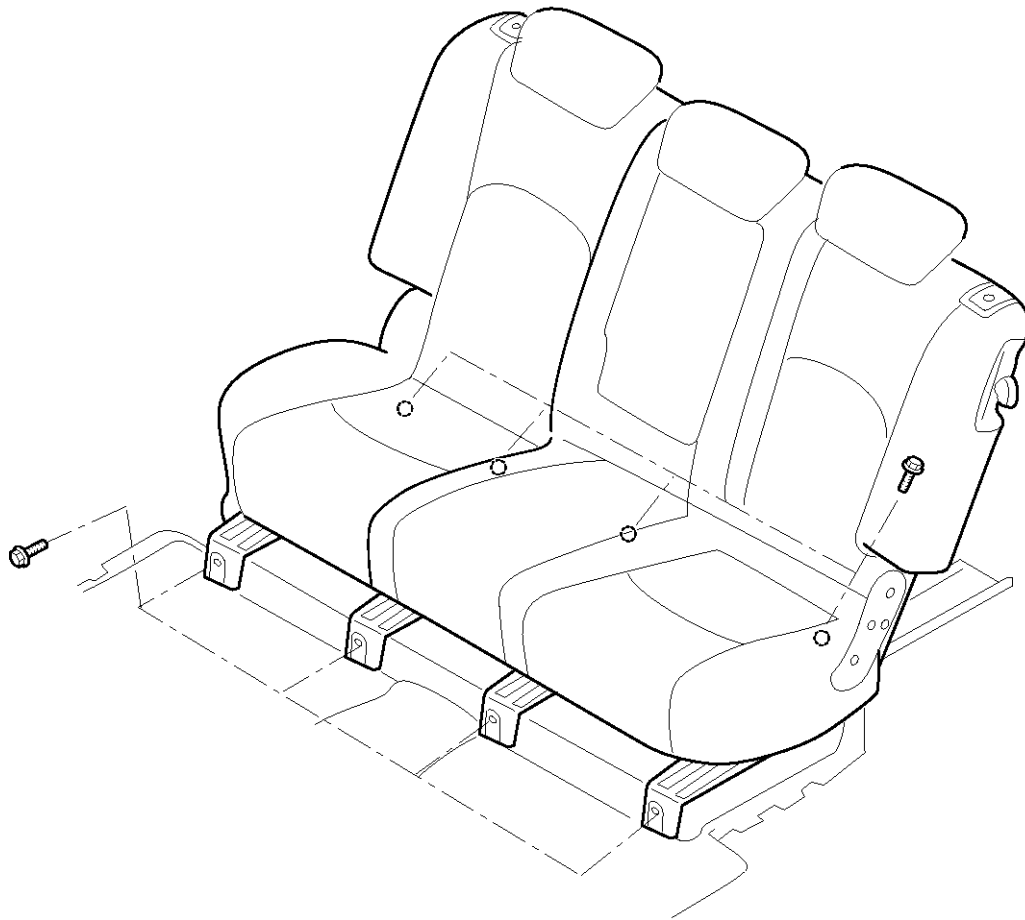
CAUTION

- Be sure to match the heater with main appearance.

Rear Seat

Components

Secondary Seat

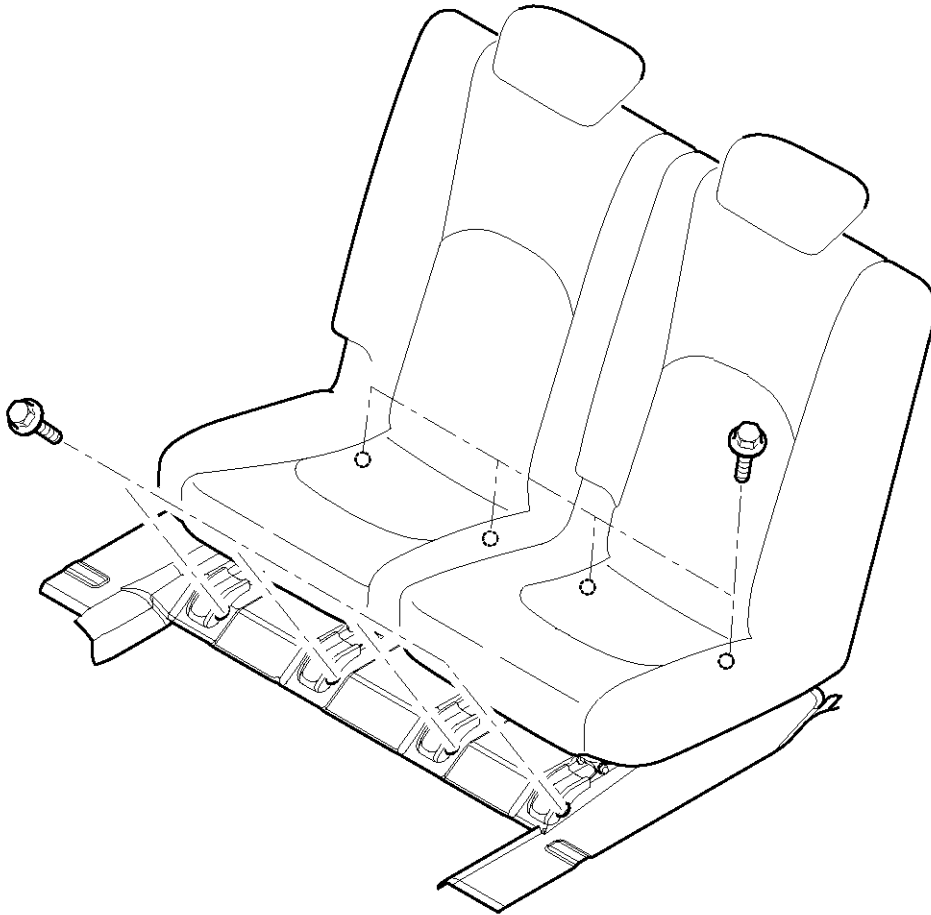


SHMBD8254D

BD-102

Body (Interior and Exterior)

Third Seat



SHMBD8257D

Seat & Power Seat

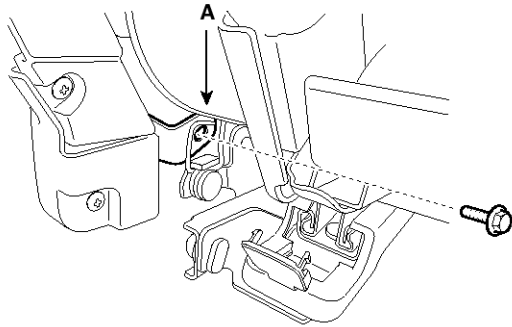
BD-103

Replacement

Secondary (R/H)

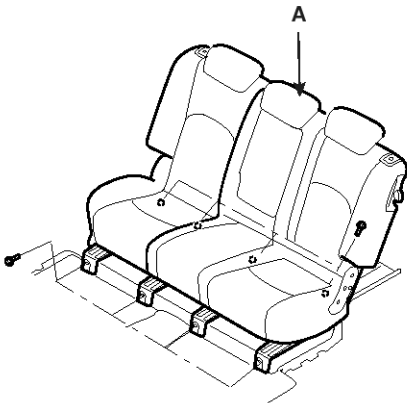
Seat Assembly Replacement

1. Remove the seat belt mounting bolt (A).



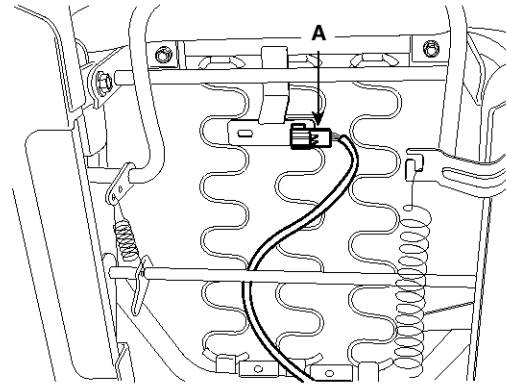
SHMBD8163D

2. Loosen the mounting bolt, remove the secondary seat assembly (A).



SHMBD8358D

3. Disconnect the connector (A).



SHMBD8164D

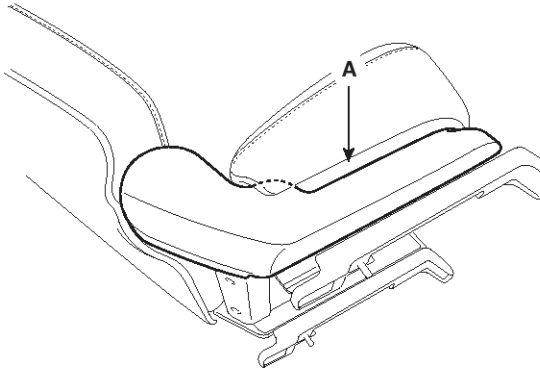
4. Installation is the reverse of removal.

BD-104

Body (Interior and Exterior)

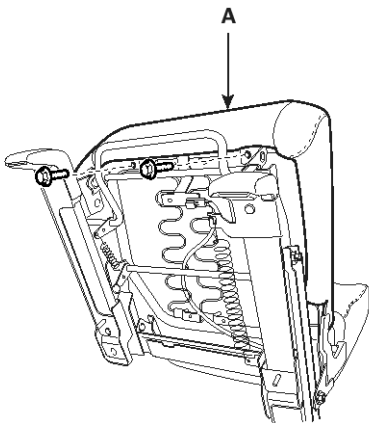
Seat Cushion Cover Replacement

1. Remove the cover (A).



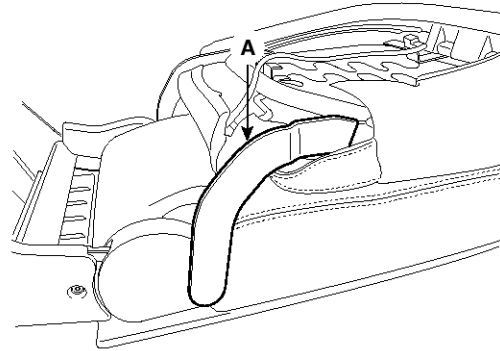
SHMBD8165D

2. Loosen the seat cushion (A) mounting bolts.



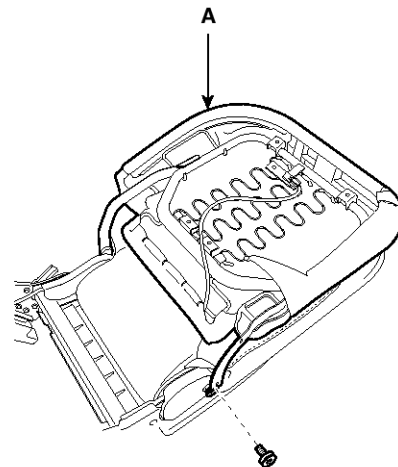
SHMBD8166D

3. Remove the cover (A).



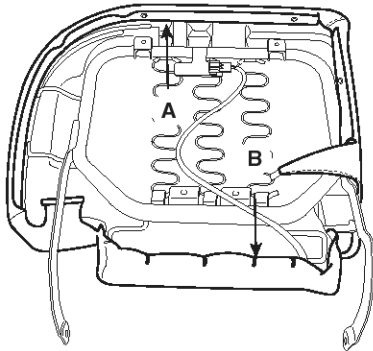
SHMBD8167D

4. After loosening the mounting bolts, remove the seat cushion (A).



SHMBD8168D

5. Disconnect the scuff bend (A) and hogring clips (B).

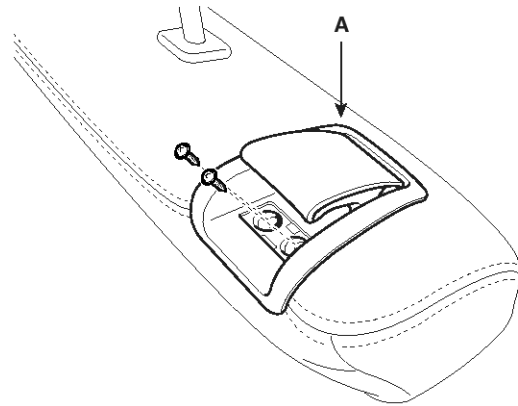


SHMBD8169N

6. Installation is the reverse of removal.

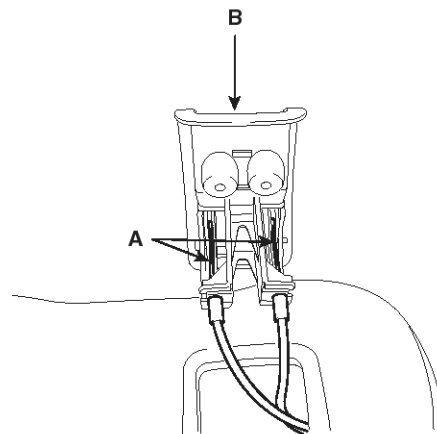
Seat Back Cover Replacement

1. Remove the recliner lever (A).



SHMBD8171D

2. Disconnect the recliner cable (A).
3. Remove the recliner lever (B).

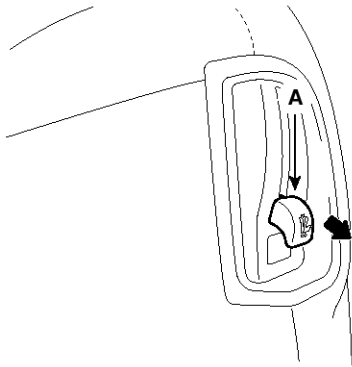


SHMBD8172L

BD-106

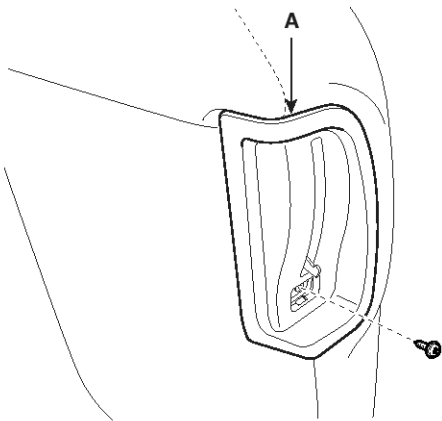
Body (Interior and Exterior)

4. Remove the recliner lever (A).



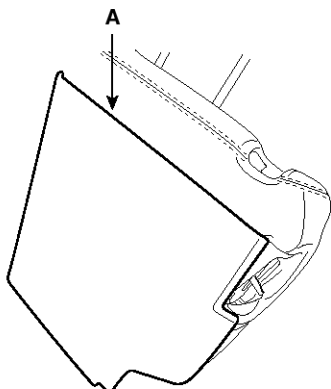
SHMBD8173D

5. Remove the recliner cover (A).



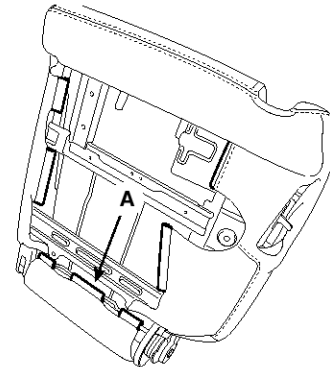
SHMBD8174D

6. Remove the back panel (A).



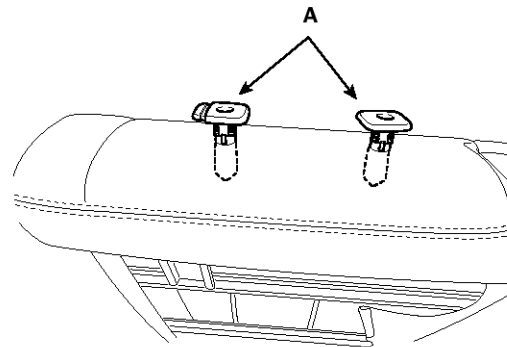
SHMBD8175D

7. Disconnect the protectors (A).



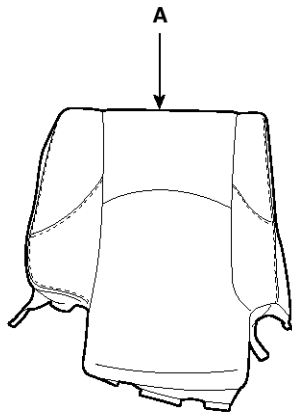
SHMBD8176D

8. Remove the headrest and headrest guide (A).



SHMBD8177D

9. After removing the hogring clips on seat back and remove the seat back cover (A).

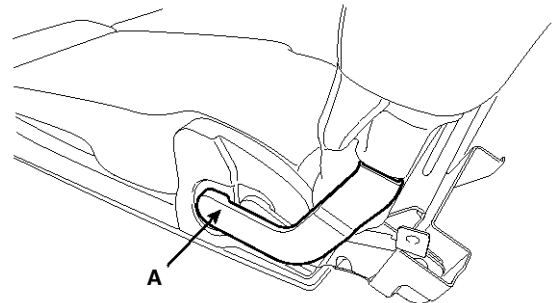


SHMBD8178D

10. Installation is the reverse of removal.

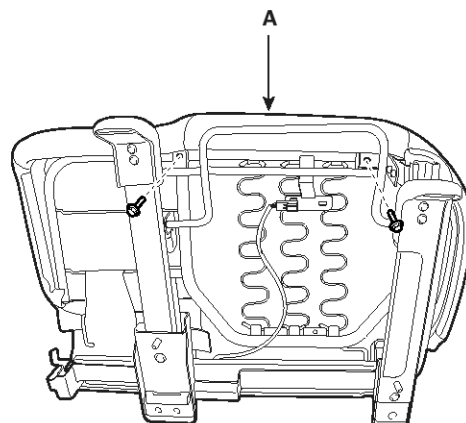
Secondary Seat (L/H) Seat Chusion Cover Replacement

1. Remove the cover (A).



SHMBD8179D

2. Loosen the mounting bolt, remove the secondary seat assembly (A).

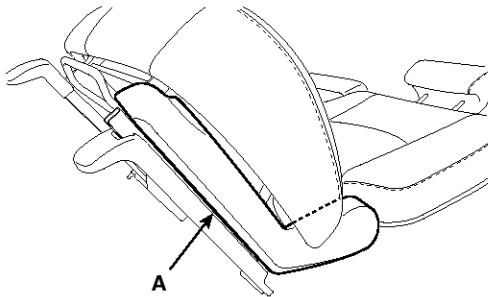


SHMBD8180D

BD-108

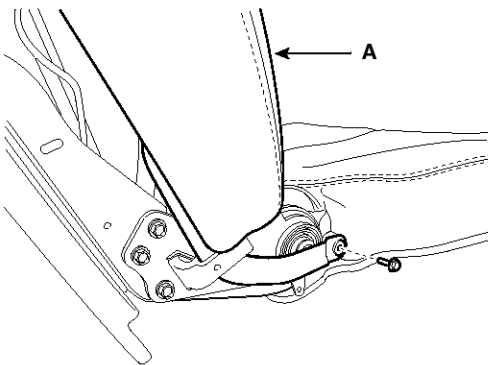
Body (Interior and Exterior)

3. Remove the cover (A).



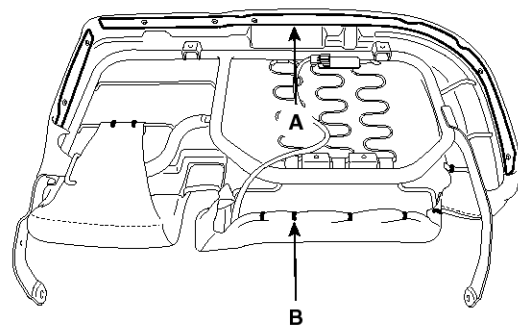
SHMBD8181D

4. After loosening the mounting bolt, then remove the cushion (A).



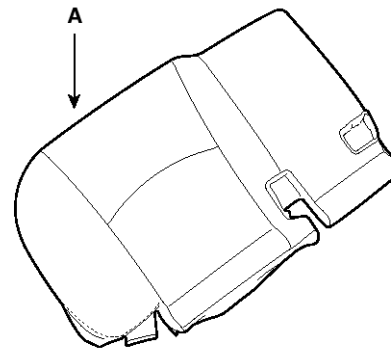
SHMBD8182D

5. Disconnect the scuff bends (A) and hogring clips (B).



SHMBD8183D

6. After removing the hogring clip on seat cushion and remove the seat cushion cover (A).



SHMBD8184D

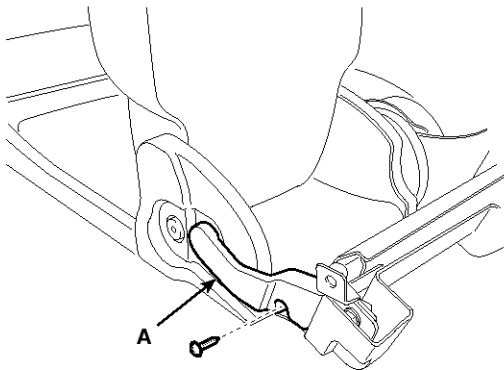
7. Installation is the reverse of removal.

Seat & Power Seat

BD-109

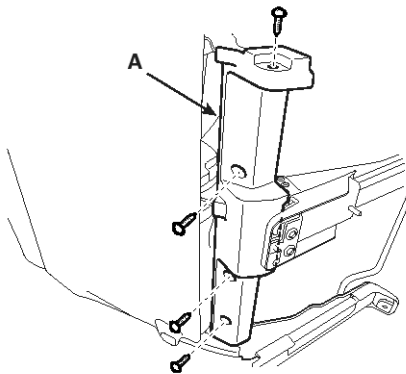
Seat Back Cover Replacement

1. Remove the cover (A).



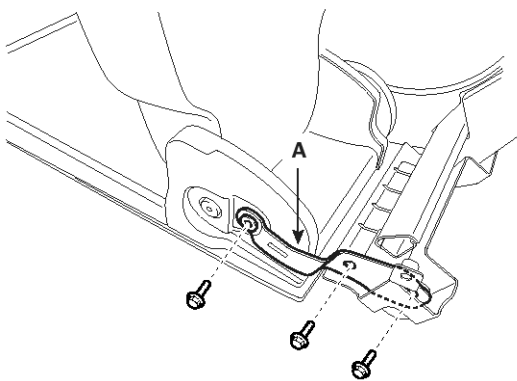
SHMBD8186D

2. Loosen the mounting screws, then remove the cover (A).



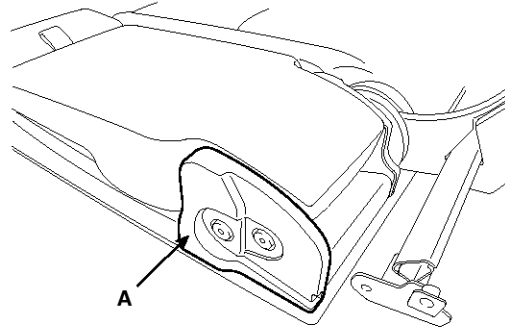
SHMBD8187D

3. Remove the recliner mounting bracket (A).



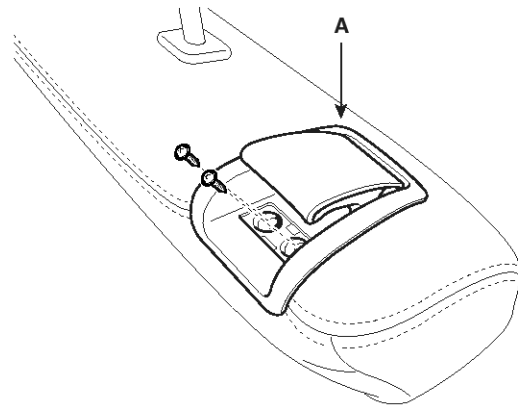
SHMBD8188D

4. Remove the cover (A).



SHMBD8189D

5. Remove the recliner lever (A).

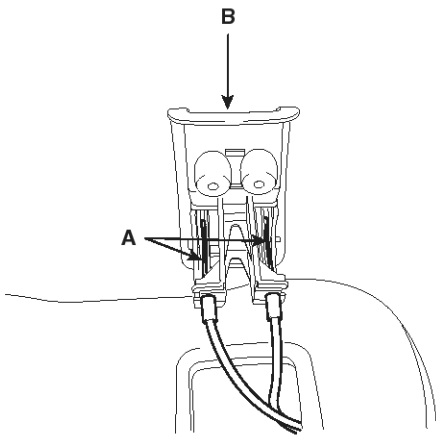


SHMBD8171D

BD-110

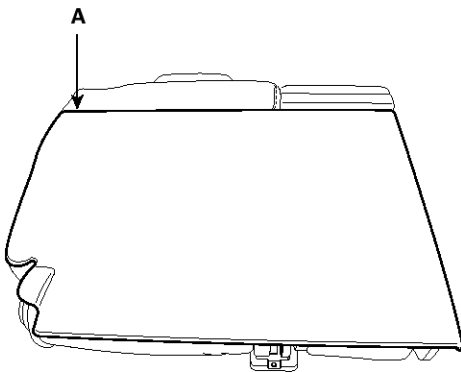
Body (Interior and Exterior)

6. Disconnect the recliner cable (A).
7. Remove the recliner lever (B).



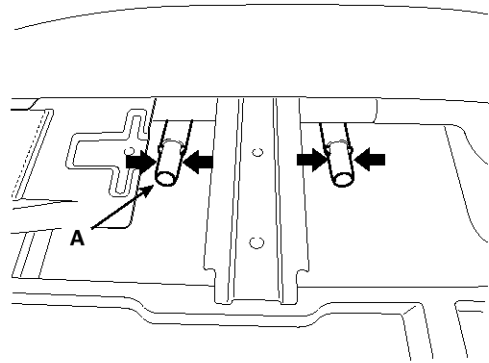
SHMBD8172L

8. Remove the seat back panel (A).



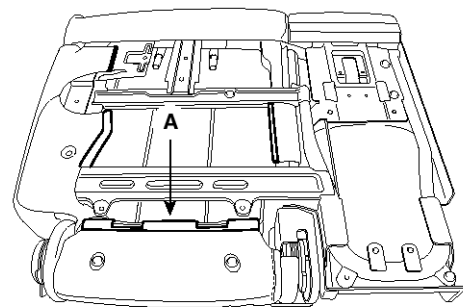
SHMBD8190D

9. Remove the headrest and headrest guide (A).



SHMBD8191D

10. Disconnect the protectors (A).

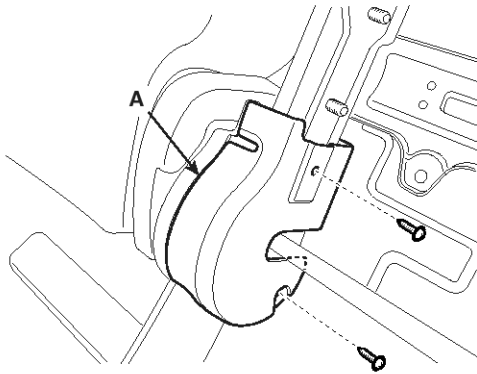


SHMBD8192D

Seat & Power Seat

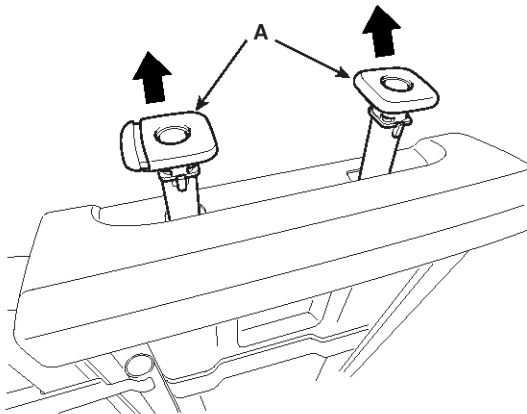
BD-111

11. Remove the cover (A).



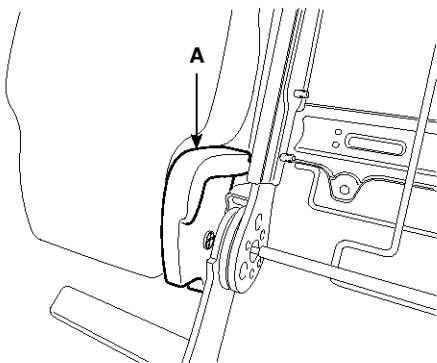
SHMBD8193D

12. Remove the headrest guide (A).



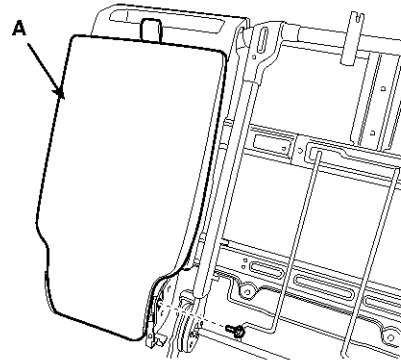
SHMBD8194D

13. Remove the cover (A).



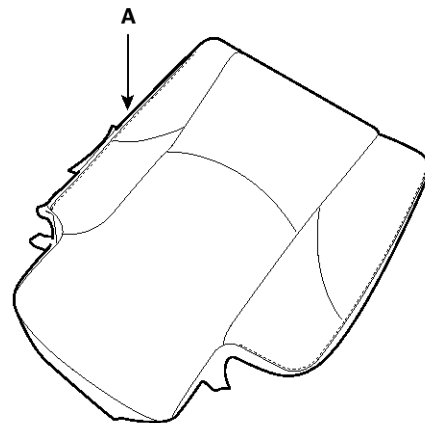
SHMBD8195D

14. After loosening the mounting bolt, remove the armrest (A).



SHMBD8196D

15. After removing the hogring clip on seat back and remove the seat back cover (A).

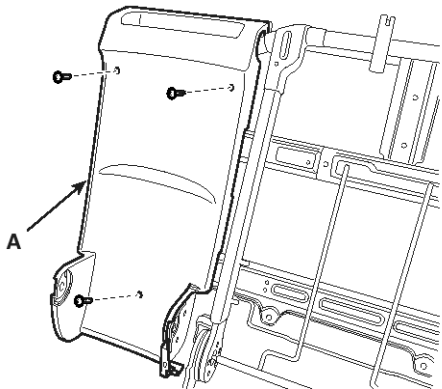


SHMBD8197D

BD-112

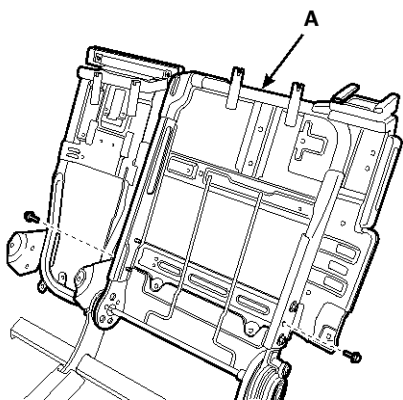
Body (Interior and Exterior)

16. After loosening the mounting screws, then remove the armrest cover (A).



SHMBD8198D

17. Remove the seat back frame (A).



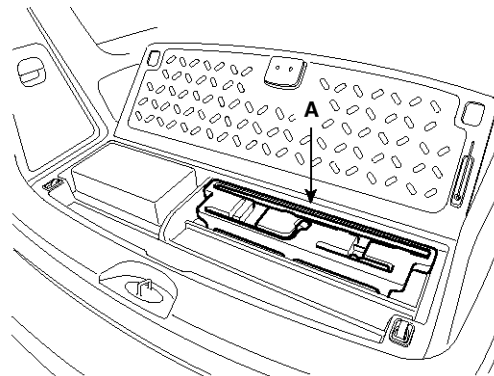
SHMBD8199D

18. Installation is the reverse of removal.

Third Seat

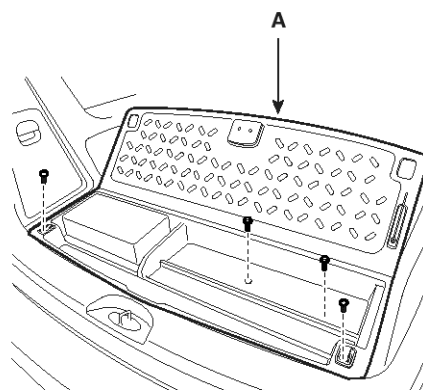
Seat Assembly Replacement

1. Remove the extinguisher and tool (A).



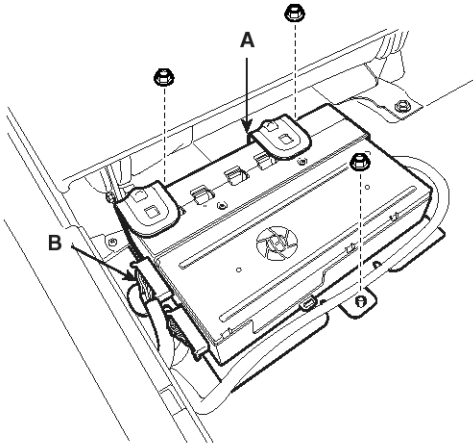
SHMBD8200D

2. After loosening the mounting screw, remove the luggage floor box (A).



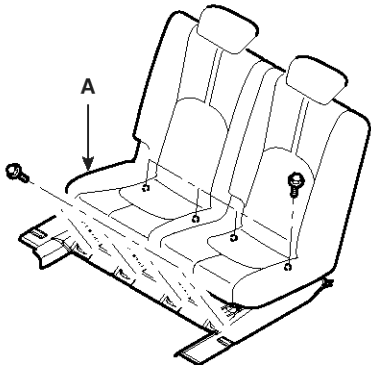
SHMBD8201D

3. Disconnect the connectors (B).
4. Remove the amp assembly (A).



SHMBD8202D

5. Loosen the mounting bolts, remove the third seat assembly (A).

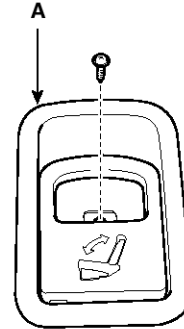


SHMBD8359D

6. Installation is the reverse of removal.

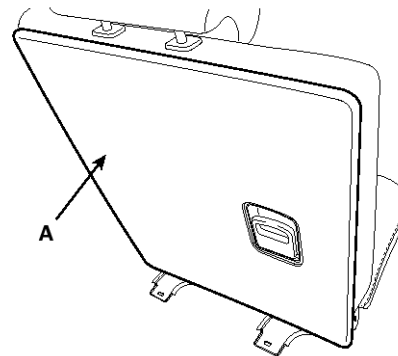
Seat Back Cover Replacement

1. Remove the third seat assembly.
2. After loosening the mounting screw, remove the recliner lever cover (A).



SHMBD8203D

3. Remove the seat back panel (A).

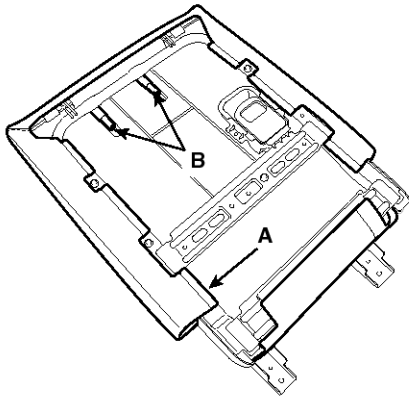


SHMBD8204D

BD-114

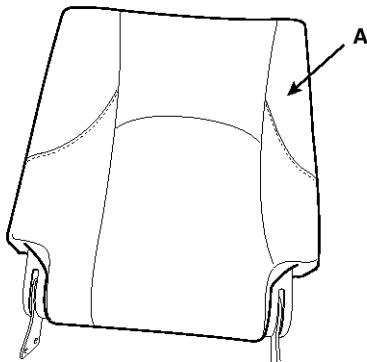
Body (Interior and Exterior)

4. Disconnect the scuff bands (A).
5. Remove the headrest and headrest guide (B).



SHMBD8205D

6. Disconnect the hogring clips on the front of seat back, remove the seat back cover (A).

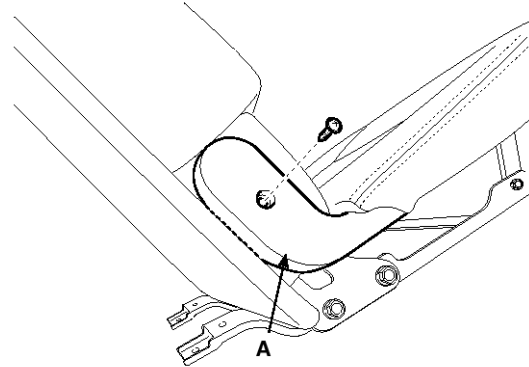


SHMBD8206D

7. Installation is the reverse of removal.

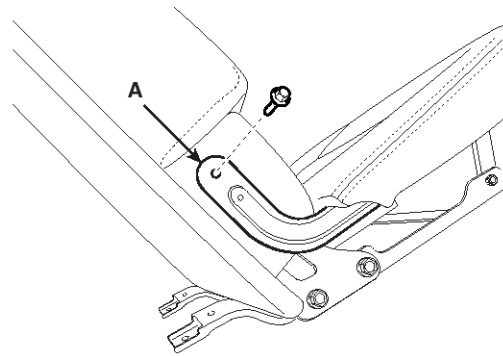
Seat Cushion Cover Replacement

1. Remove the third seat assembly.
2. Remove the cover (A).



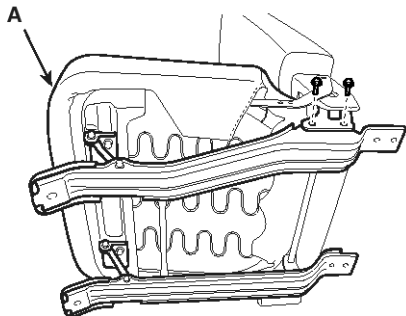
SHMBD8207D

3. Remove the mounting bolt (A).



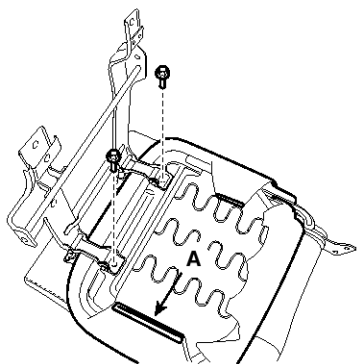
SHMBD8208L

4. Loosen the mounting bolt, remove the seat cushion assembly (A).



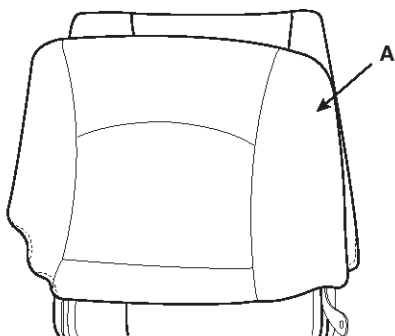
SHMBD8209D

5. Disconnect the scuff band (A).



SHMBD8210D

6. Disconnect the hogring clip on the front of seat cushion, remove the seat cushion cover (A).

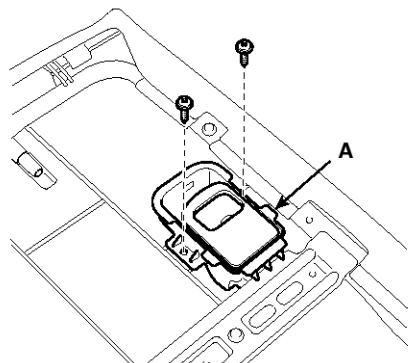


SHMBD8211D

7. Installation is the reverse of removal.

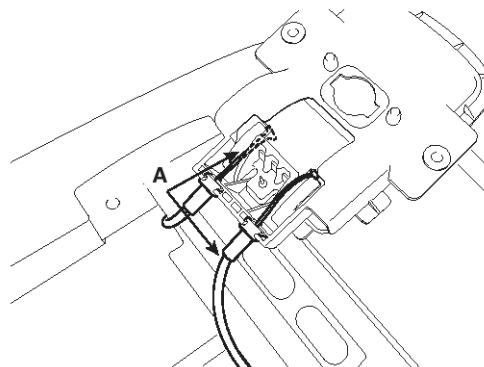
Recliner Lever Replacement

1. Remove the seat back panel.
2. Remove the recliner lever (A).



SHMBD8350D

3. Disconnect the recliner cable (A).



SHMBD8212L

4. Installation is the reverse of removal.

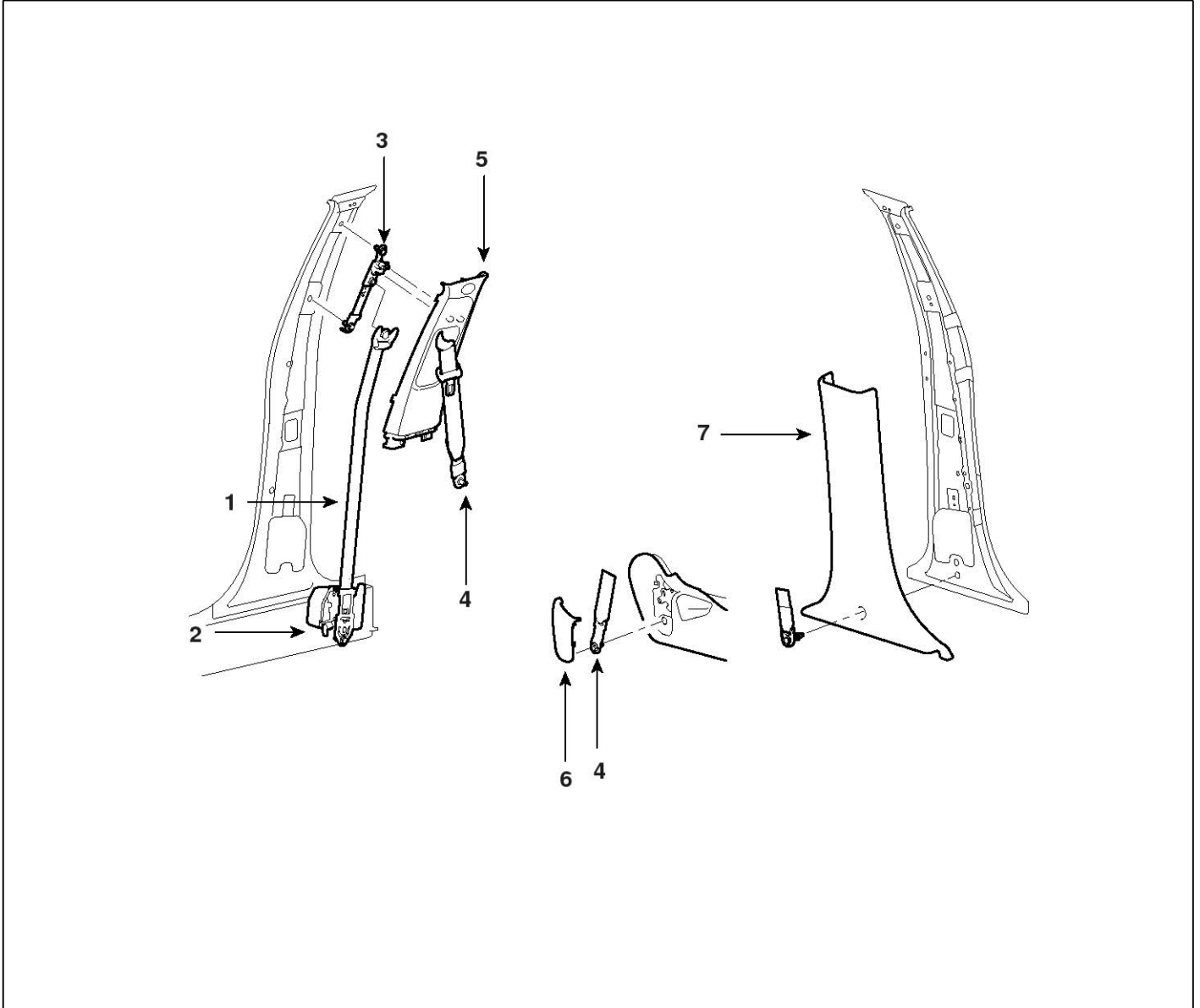
BD-116

Body (Interior and Exterior)

Seat Belt

Front Seat Belt

Components



SHMBD8300D

- 1. Front seat belt
- 2. Pretensioner
- 3. High adjuster

- 4. Seat belt lower anchor
- 5. Center upper trim
- 6. Seat belt lower anchor mounting cover
- 7. Center pillar upper trim

Seat Belt

BD-117

Replacement

Front Seat Belt Replacement

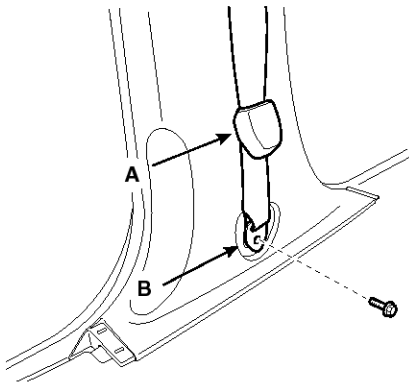
⚠ CAUTION

- When installing the belt, make sure not to damage the pretensioner.

1. Disconnect the battery negative cable, and wait for at least three minutes before beginning work.
2. Remove the following items first.
 - Front seat assembly.
 - Door scuff trim.
3. After raise the lower anchor cover (A), loosen the lower anchor mounting bolt (B).

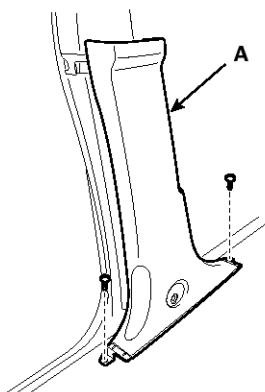
Tightening torque :

39.2 ~ 53.98 N.m (4.0 ~ 5.5 kgf.m, 28.9 ~ 39.8 lb-ft)



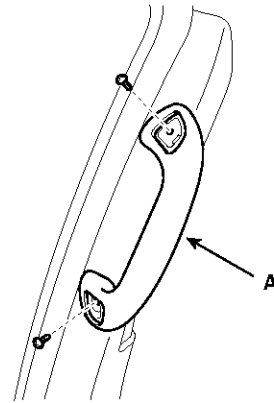
SHMBD8213D

4. Remove the center pillar lower trim (A).



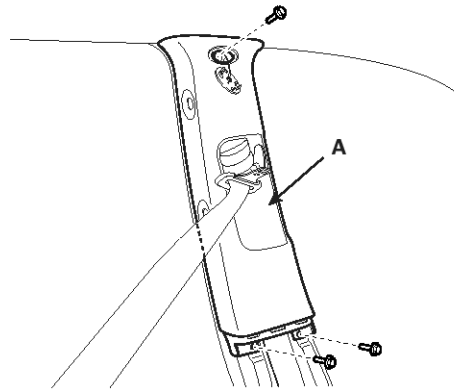
SHMBD8214D

5. Remove the assist handle (A).



SHMBD8215D

6. Remove the center pillar upper trim (A).

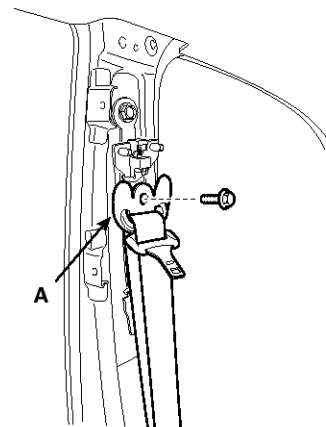


SHMBD8216D

7. Remove the upper anchor (A).

Tightening torque :

39.2 ~ 53.98 N.m (4.0 ~ 5.5 kgf.m, 28.9 ~ 39.8 lb-ft)

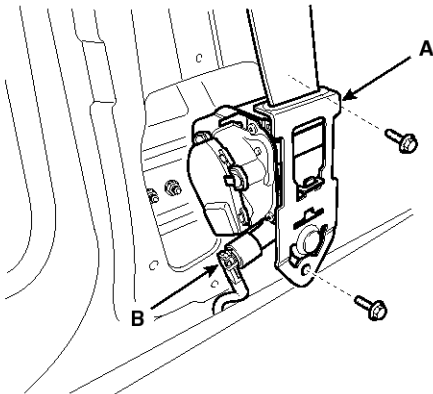


SHMBD8217D

BD-118

Body (Interior and Exterior)

8. After disconnecting the pretensioner connector lock pin, remove the SIS connector (B), Loosen the mounting bolt, then remove the pretensioner (A).



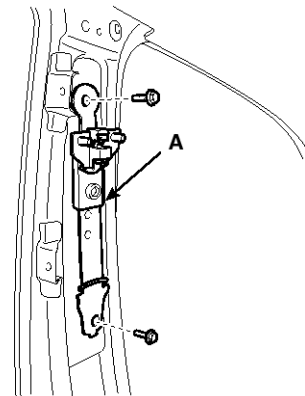
SHMBD8218D

Height Adjuster Replacement

1. Remove the following items first.
 - Front seat assembly.
 - Door scuff trim.
 - Front seat belt.
 - Center pillar trim.
2. After loosening the mounting bolt, then remove the height adjuster (A).

Tightening torque :

39.2 ~ 53.98 N.m (4.0 ~ 5.5 kgf.m, 28.9 ~39.8 lb-ft)



SHMBD8220D

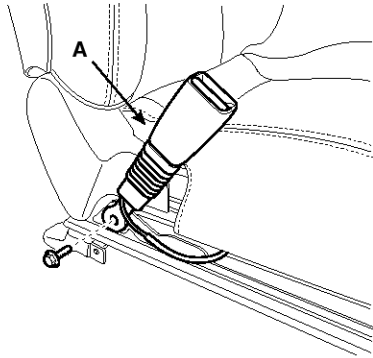
3. Installation is the reverse of removal.

Front Seat Belt Buckle Replacement

1. Remove the following items first.
 - Front seat assembly.
2. Remove the wire harness of buckle from seat.
3. Remove the seat belt buckle (A).

Tightening torque :

39.2 ~ 53.98 N.m (4.0 ~ 5.5 kgf.m, 28.9 ~39.8 lb-ft)



SHMBD8221D

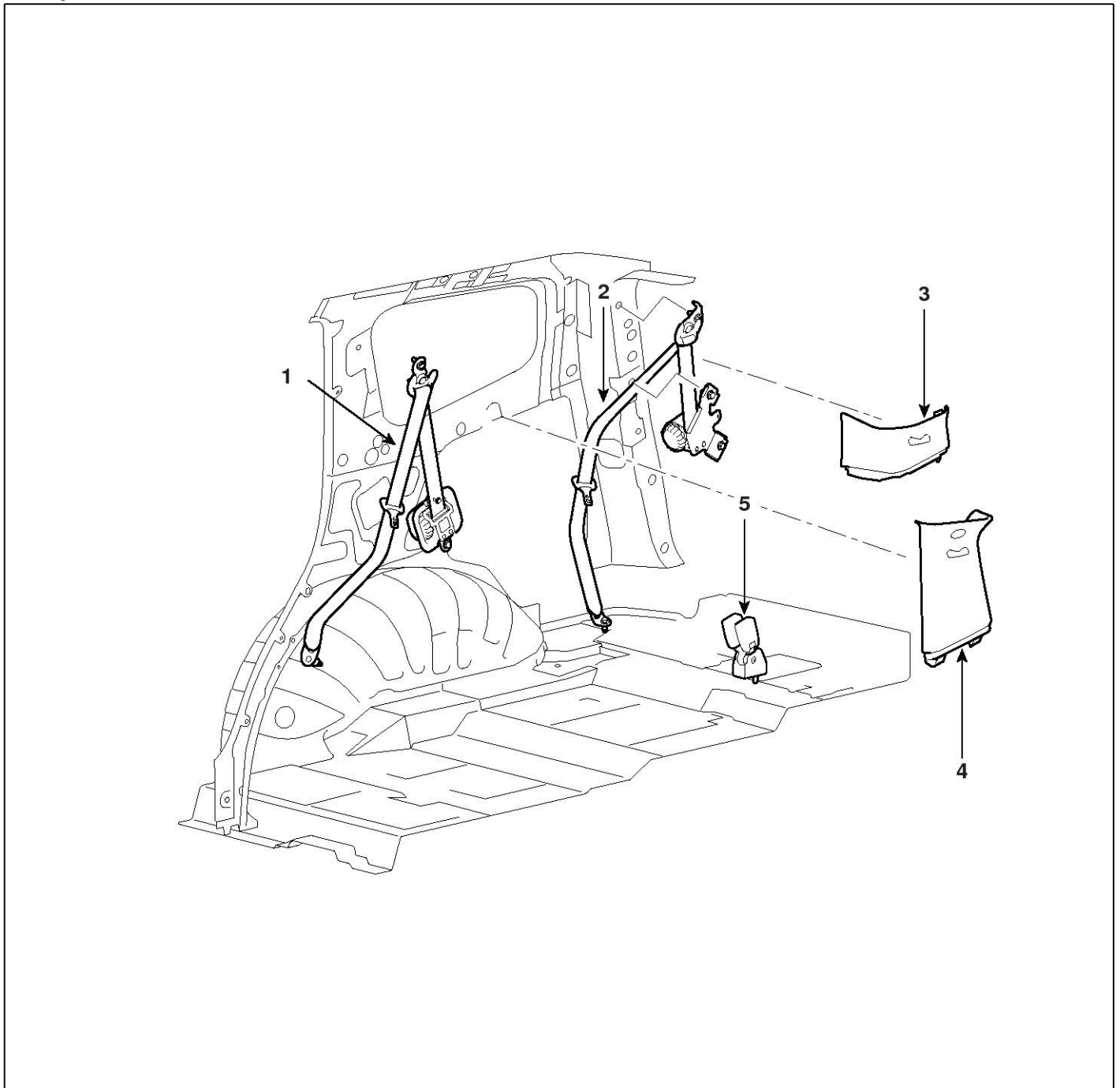
4. Installation is the reverse of removal.

BD-120

Body (Interior and Exterior)

Rear Seat Belt

Components



SHMBD8290D

- 1. Secondary seat belt
- 2. Third seat belt

- 3. Rear pillar trim
- 4. Gate pillar trim
- 5. Third seat belt buckle

Seat Belt

BD-121

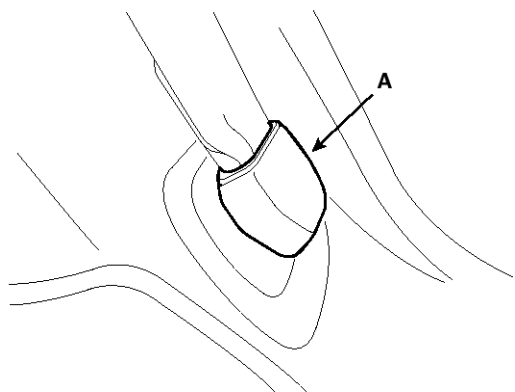
Replacement

Secondary Seat Belt Replacement

⚠ CAUTION

- When installing the belt, make sure not to damaged the retractor.

1. Remove the following items first.
 - Rear seat assembly.
 - Rear door scuff trim.
 - Transverse trim.
2. Remove the lower anchor cover (A).

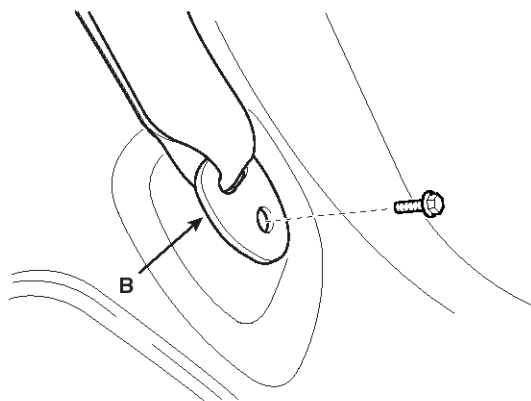


SHMBD8222D

3. Remove the lower anchor (A).

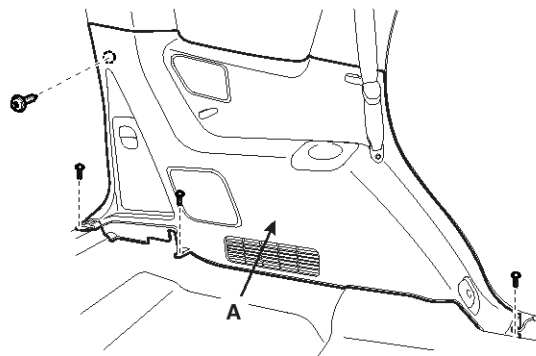
Tightening torque :

39.2 ~ 53.9 N.m (4.0 ~ 5.5 kgf.m, 28.9 ~ 39.8 lb-ft)



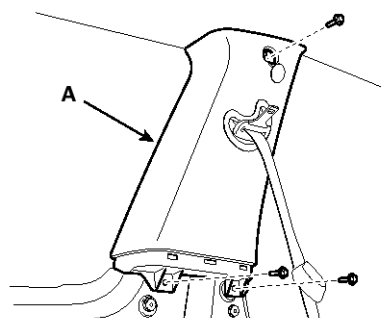
SHMBD8223D

4. Remove the luggage side trim (A).



SHMBD8224D

5. Remove the D pillar trim (A).

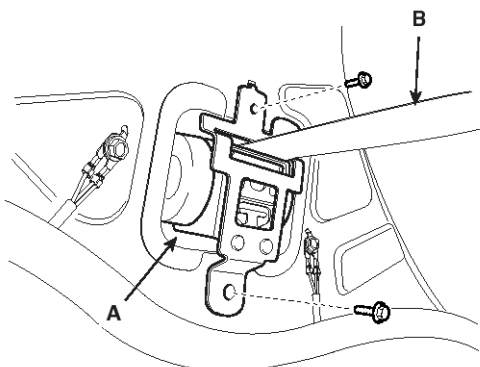


SHMBD8225D

BD-122

Body (Interior and Exterior)

6. After loosening the retractor (A) mounting bolt, remove the rear seat belt (B).

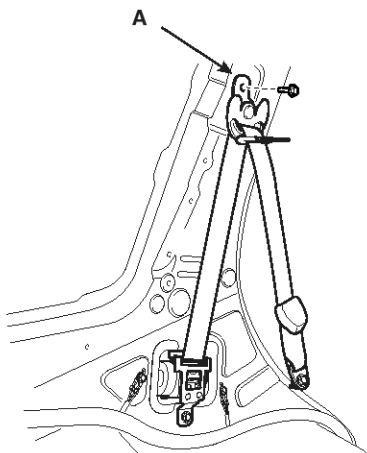


SHMBD8226L

7. Remove the upper anchor (A).

Tightening torque :

39.2 ~ 53.9 N.m (4.0 ~ 5.5 kgf.m, 28.9 ~ 39.8 lb-ft)

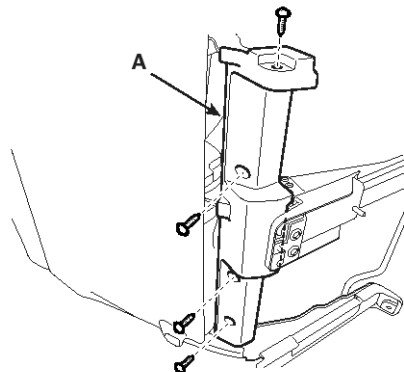


SHMBD8227L

8. Installation is the reverse of removal.

Secondary Center Seat Belt Replacement

1. Remove the secondary seat assembly.
2. Remove the cover (A).

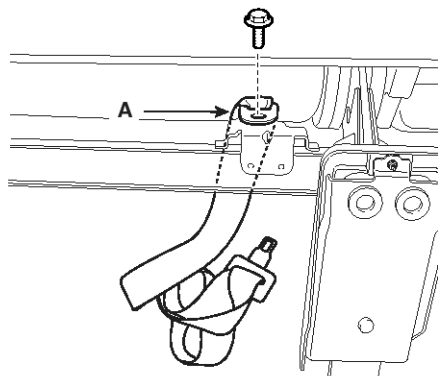


SHMBD8187D

3. After loosening the mounting bolts, remove the seat belt (A).

Tightening torque :

39.2 ~ 53.9 N.m (4.0 ~ 5.5 kgf.m, 28.9 ~ 39.8 lb-ft)

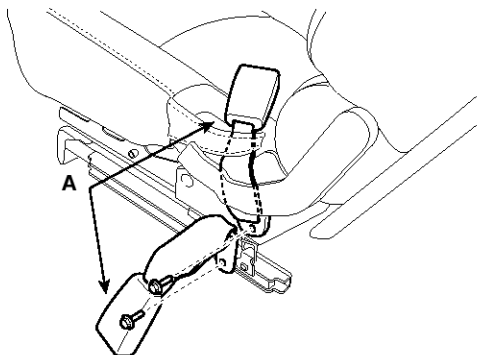


SHMBD8228D

4. Installation is the reverse of removal.

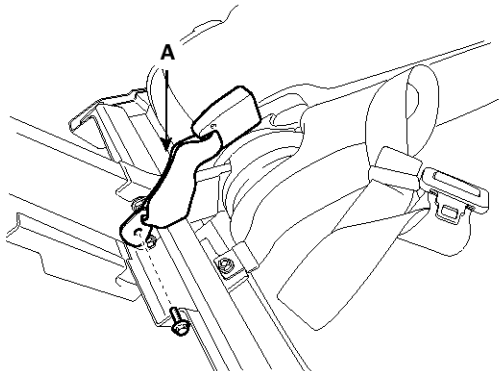
Secondary Seat Belt Buckle Replacement

1. Remove the secondary seat assembly.
2. Remove the secondary seat cushion.
3. Remove the seat belt buckle (A).



SHMBD8229D

4. Remove the seat belt buckle (A).



SHMBD8230D

5. Installation is the reverse of removal.

Third Seat Belt Relacement

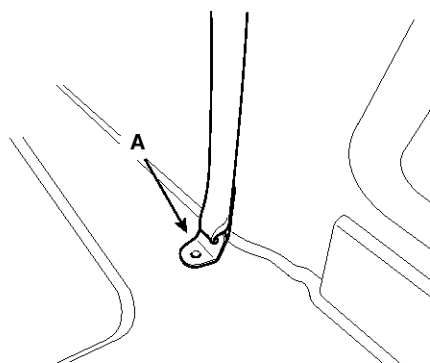
⚠CAUTION

- When installing the belt, make sure not to damaged the pretensioner.

1. Remove the following items first.
 - Rear seat assembly.
 - Rear door scuff trim.
 - Transverse trim.
2. Remove the lower anchor (A).

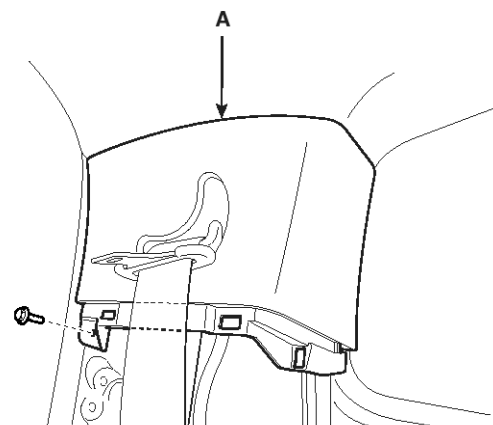
Tightening torque :

39.2 ~ 53.9 N.m (4.0 ~ 5.5 kgf.m, 28.9 ~ 39.8 lb-ft)



SHMBD8231D

3. Remove the luggage side trim.
4. Remove the rear pillar trim (A).



SHMBD8232D

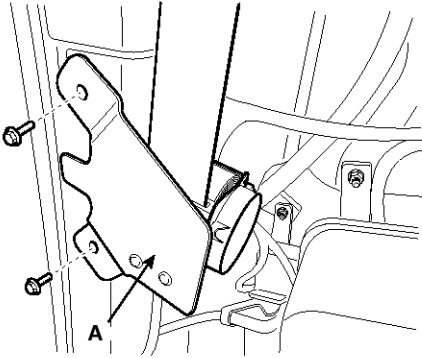
BD-124

Body (Interior and Exterior)

5. After loosening the retractor mounting bolt, remove the retractor (A).

Tightening torque :

39.2 ~ 53.9 N.m (4.0 ~ 5.5 kgf.m, 28.9 ~ 39.8 lb-ft)

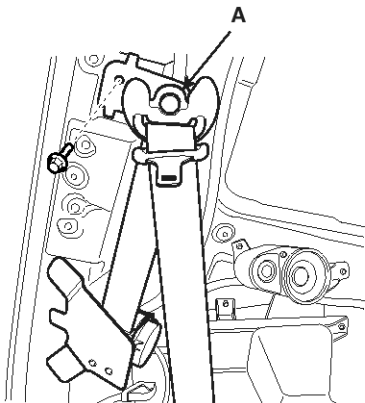


SHMBD8233D

6. Remove the upper anchor (A).

Tightening torque :

39.2 ~ 53.9 N.m (4.0 ~ 5.5 kgf.m, 28.9 ~ 39.8 lb-ft)



SHMBD8234D

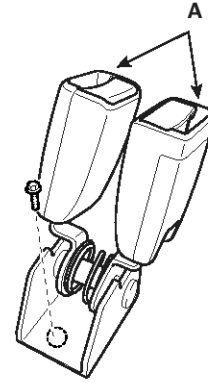
7. Installation is the reverse of removal.

Third Seat Belt Buckle Replacement

1. Remove the third seat assembly.
2. Remove the seat belt buckle (A).

Tightening torque :

39.2 ~ 53.9 N.m (4.0 ~ 5.5 kgf.m, 28.9 ~ 39.8 lb-ft)



SHMBD8235D

3. Installation is the reverse of removal.